



---

# Illustrated Parts Manual

## *Models* **860SJ HC3**

PVC  
2007

P/N  
31215891

June 1, 2020 - Rev A

**ANSI**

**CE**



**AS/NZS**



An Oshkosh Corporation Company





## **REVISION LOG**

### **REVISION LOG:**

**June 1, 2020 - A - Original Issue of Manual (Edited to B/M 1001256860 Revision B)**

# GENERAL INFORMATION

**SECTION 6 CYLINDER**

**FIGURE 6-3. LIFT CYLINDER ASSEMBLY**

PG#                      Model Designation                      Manual #

**SECTION 6 CYLINDER**

**FIGURE 6-3. LIFT CYLINDER ASSEMBLY**

| ITEM # | PART NUMBER | QTY. | DESCRIPTION                                  | REV. |
|--------|-------------|------|--|------|
|        | 1001140104  | Ref  | LIFT CYLINDER ASSEMBLY                       | B    |
| 1      | 0100011     | AR   | Compound, Locking                            |      |
| 2      | 0630535     | 3    | Capscrew 1/4-20 x 1-1/8                      |      |
| 3      | 0791003     | 1    | Screw #10-24 x 3/8                           |      |
| 4      | 0961897     | 1    | Bushing, Tapered                             |      |
| 5      | 1320136     | 1    | Clamp, Cable                                 |      |
| 6      | 1683063     | 1    | Head   |      |
| 7      | 2220883     | 1    | Plug, O-Ring                                 |      |
| 8      | 2220885     | 2    | Plug, O-Ring                                 |      |
| 9      | 2220886     | 1    | Plug, O-Ring                                 |      |
| 10     | 3020039     | AR   | Lubricant                                    |      |
| 11     | 3480282     | 1    | Piston                                       |      |
| 12     | 3760371     | 1    | Ring, Washer                                 |      |
| 13     | 3931420     | 8    | Capscrew 1/4-20 x 1-1/4                      |      |
| 14     | 3931824     | 8    | Capscrew 1/2-13 x 1-1/2                      |      |
| 15     | 3951003     | 1    | Setscrew #10-24 x 3/8                        |      |
| 16     | 4100099     | 1    | Spacer                                       |      |
| 17     | 4640999     | 1    | Cartridge, Holding Valve (Non Vented)        |      |
| 17     | 2900792     | 1    | Kit, Seal - 4640999 Cartridge Valve          |      |
| 18     | 4641248     | 1    | Cartridge, Counterbalance Valve (Non Vented) |      |
| 18     | 70004186    | 1    | Kit, Seal - 4641248 Cartridge Valve          |      |
| 19     | 100117991   | 1    | Sensor, Cylinder Length                      |      |
| 20     | 100118070   | 1    | Cap, Retainer                                |      |
| 21     | 100118084   | 1    | Barrel                                       |      |
| 21A    | 0961950     | 2    | Bushing                                      |      |
| 22     | 100118086   | 1    | Rod  |      |
| 22A    | 0961950     | 2    | Bushing                                      |      |
| 100    | 1001139996  | 1    | Kit, Seal (Includes Items 101-109)           |      |
| 101    | See Note    | 2    | Ring, Wear (Note: Use p/n 1001139996)        |      |
| 102    | See Note    | 1    | Ring, Back-Up (Note: Use p/n 1001139996)     |      |
| 103    | See Note    | 2    | Ring, Lock (Note: Use p/n 1001139996)        |      |
| 104    | See Note    | 2    | Ring, Back-Up (Note: Use p/n 1001139996)     |      |
| 105    | See Note    | 2    | O-Ring (Note: Use p/n 1001139996)            |      |
| 106    | See Note    | 1    | O-Ring (Note: Use p/n 1001139996)            |      |
| 107    | See Note    | 1    | Seal (Note: Use p/n 1001139996)              |      |
| 108    | See Note    | 1    | Wiper, Rod (Note: Use p/n 1001139996)        |      |
| 109    | See Note    | 2    | Seal (Note: Use p/n 1001139996)              |      |
| 200    | 100119105   | 1    | Kit, Sensor Magnet (Includes Items 201-203)  |      |
| 201    | See Note    | NSS  | Sleeve, Spacer (Note: Use p/n 100119105)     |      |
| 202    | 100118066   | 1    | Magnet, Sensor                               |      |
| 203    | 100118069   | 1    | Ring, Internal Retaining                     |      |

Manual #                      Model Designation                      PG#

## 1) MACHINE IDENTIFICATION

Machines are identified by model and in some cases a combination of models, serial number (SN) or regional standard (i.e. ANSI, CE, CSA). Components may also be identified by SN or manufacturer. Common components that may be identified by these characteristics are engines and hydraulic components.

## 2) PARTS MANUAL ORGANIZATION

Product information in this manual is organized under section titles. Frame, Cylinder, Hydraulic and Electrical are a few examples. Each section is organized by figure and page number. The information within the figure is then organized by item number, part number, description and corresponding illustration(s).

## 3) TABLE OF CONTENTS

A table of contents is found toward the beginning of the manual. Figure number, description and page number are provided for quick reference to the page containing the related information.

## 4) RECOMMENDED SPARE PARTS

The Recommended Spare Parts, located near the end of the manual, reference most frequently used maintenance parts.

## 5) PART NUMBER INDEX

A numerical index listing all part numbers and the corresponding page number(s) appears at the back of the manual.

## GENERAL INFORMATION

### 6) NON-SERVICED PARTS

In some instances, it is necessary to display non-serviced parts, assemblies or installations. In the case of assemblies and installations there will be a Ref in the Qty column. In case of parts that are not available for service within assemblies and components, there will be a NSS (Not Sold Separately) or NLA (No Longer Available) listed in the Qty. column of the manual.

### 7) PARTS LIST ITEM NUMBERS

Numbers shown in the item# column correspond to numbers used in the associated illustration (s). Item numbers which are missing from the sequence in the parts list are not used on that page

### 8) INDENTED PARTS DESCRIPTION

An indented part description is included in the item under which it is indented.

### 9) ABBREVIATION AND SYMBOLS

|              |  |              |                                 |
|--------------|--|--------------|---------------------------------|
| AC.....      | .. Alternating Current                   | LCD.....     | Liquid Crystal Display          |
| ADE.....     | Advanced Design Electronics              | LED.....     | Light Emitting Diodes           |
| ANSI.....    | American National Standards Institute    | LH.....      | Left Hand                       |
| AR.....      | ..As Required                            | LSS.....     | ..Load Sensing System           |
| ASSY.....    | Assembly                                 | M(m).....    | Metric/Meter                    |
| AUX.....     | Auxiliary                                | MM (mm)..... | Milimeter                       |
| AWG.....     | ..American Wire Gauge                    | mA.....      | Miliamps                        |
| B/M.....     | ..Bill of Material                       | NLA.....     | No Longer Available             |
| CE.....      | ..European Conformity                    | NPT.....     | National Pipe Threads           |
| CCW.....     | ..Counter Clockwise                      | NSS.....     | Not Sold Separately             |
| cm.....      | Centimeter                               | OD.....      | ..Outside Diameter              |
| CW.....      | ..Clockwise                              | ORB.....     | O-Ring Boss                     |
| CSA.....     | ..Canadian Standard Association          | ORFS.....    | O-Ring Face Seal                |
| CYL.....     | Cylinder                                 | OZ (oz)..... | ..Ounces                        |
| DIA.....     | Diameter                                 | PG.....      | ..Page                          |
| DC.....      | Direct Current                           | P/N.....     | ..Part Number                   |
| EMS.....     | Emergency Stop                           | qt.....      | ..Quarts                        |
| ENG.....     | Engine                                   | QTY.....     | ..Quantity                      |
| FT (ft)..... | Feet                                     | REF.....     | ..Reference                     |
| GA (Ga)..... | Gauge                                    | REV.....     | ..Revision Level                |
| HYD.....     | Hydraulic                                | RH.....      | ..Right Hand                    |
| Hz.....      | Hertz                                    | SAE.....     | Society of Automotive Engineers |
| ID.....      | Inside Diameter                          | SN.....      | ..Serial Number                 |
| in.....      | inches                                   | SPEC(S)..... | ..Specifications                |
| ISO.....     | International Organization for Standards | T/T.....     | ..Turntable                     |
| JIC.....     | Joint Industry Council                   | UGM.....     | ..Universal Ground Module       |
| KG.....      | ..Kilogram                               | V.....       | ..Volts                         |
| L.....       | ..Liter                                  | W.....       | ..Watts                         |
| LB.....      | ..Pounds                                 | #.....       | ..Number                        |

### 10) ILLUSTRATION REFERENCE LETTERS

When necessary, illustrations may contain reference letters that are intended to track information (i. e. hoses, harness) from one point to another or to track visual enlargement of components to show details that may be located in another area on the illustration.

*Note: Due to continuous product improvements, JLG Industries, Inc. reserves the right to make specification changes without prior notification. Contact JLG Industries, Inc. for updated information.*



# TABLE OF CONTENTS

|  |     |
|--|-----|
| SECTION 1 - FRAME.....   | 13  |
| FIGURE 1-1. AXLE INSTALLATION - OSCILLATING (WITHOUT TOW PACKAGE).....   | 14  |
| FIGURE 1-2. AXLE INSTALLATION - OSCILLATING (WITH TOW PACKAGE).....  | 16  |
| FIGURE 1-3. STEERING INSTALLATION - WITHOUT TOW PACKAGE.....   | 18  |
| FIGURE 1-4. STEERING INSTALLATION - WITH TOW PACKAGE.....  | 20  |
| FIGURE 1-5. WHEEL DRIVE AND FRAME VALVES INSTALLATION – 4WD.....   | 22  |
| FIGURE 1-6. DRIVE HUB/BRAKE ASSEMBLY.....  | 24  |
| FIGURE 1-7. DRIVE MOTOR ASSEMBLY - 4WD.....  | 26  |
| FIGURE 1-8. TIRE & WHEEL INSTALLATION - 15-625 NHS FOAM-FILLED.....  | 28  |
| FIGURE 1-9. TIRE AND WHEEL INSTALLATION 18-625 NHS FOAM-FILLED TIRE.....   | 30  |
| FIGURE 1-10. TIRE AND WHEEL INSTALLATION 18-625 NHS FOAM-FILLED NON-MARKING TIRE.....  | 32  |
| FIGURE 1-11. LP TANK BRACKETS INSTALLATIONS.....   | 34  |
| FIGURE 1-12. TOW PACKAGE INSTALLATION (ENGLISH DECALS).....  | 36  |
| FIGURE 1-13. TOW PACKAGE INSTALLATION (FRENCH/ENGLISH DECALS).....   | 38  |
| FIGURE 1-14. TOW BAR ASSEMBLY.....   | 40  |
| FIGURE 1-15. FRAME SHIELDS INSTALLATION.....   | 42  |
| SECTION 2 - TURNTABLE.....   | 45  |
| FIGURE 2-1. CONTROL VALVES INSTALLATION - 860SJ HC3.....   | 46  |
| FIGURE 2-2. MAIN CONTROL VALVE ASSEMBLY.....   | 48  |
| FIGURE 2-3. SWING DRIVE INSTALLATION.....  | 50  |
| FIGURE 2-4. SWING MOTOR/HUB ASSEMBLY.....  | 52  |
| FIGURE 2-5. TURNTABLE BEARING INSTALLATION.....  | 56  |
| FIGURE 2-6. REMOTE BEARING LUBE INSTALLATION.....  | 58  |
| FIGURE 2-7. TURNTABLE LOCK INSTALLATION.....   | 60  |
| FIGURE 2-8. ROTARY COUPLING INSTALLATION.....  | 62  |
| FIGURE 2-9. TANK INSTALLATION - GAS ENGINES.....   | 64  |
| FIGURE 2-10. TANK INSTALLATION - DIESEL ENGINES.....   | 66  |
| FIGURE 2-11. HYDRAULIC TANK ASSEMBLY.....  | 68  |
| FIGURE 2-12. AUXILIARY PUMP WITH BATTERY WITHOUT BATTERY DISCONNECT SWITCH INSTALLATION.....   | 70  |
| FIGURE 2-13. AUXILIARY PUMP WITH BATTERY WITH BATTERY DISCONNECT SWITCH INSTALLATION.....  | 72  |
| FIGURE 2-14. GROUND CONTROL BOX ASSEMBLY - 860SJ HC3 WITH DEUTZ D2011 (ANSI EXPORT (LRC) AND AUSTRALIAN SPECS).....                                | 74  |
| FIGURE 2-15. GROUND CONTROL BOX ASSEMBLY - 860SJ HC3 WITH DEUTZ D2011 (CE SPECS).....  | 78  |
| FIGURE 2-16. GROUND CONTROL BOX ASSEMBLY - 860SJ HC3 WITH DEUTZ TD2.9L4 (ANSI, ANSI EXPORT (HRC), CSA, JAPANESE AND CHINA SPECS).....              | 82  |
| FIGURE 2-17. GROUND CONTROL BOX ASSEMBLY - 860SJ HC3 WITH DEUTZ TD2.9L4 (STAGE V) (CE SPECS).....  | 86  |
| FIGURE 2-18. GROUND CONTROL BOX ASSEMBLY - 860SJ HC3 WITH FORD DF 2.5L (ANSI, ANSI EXPORT (LRC), ANSI EXPORT (HRC), AUSTRALIAN AND CSA SPECS)..... | 90  |
| FIGURE 2-19. LIGHT PANEL INSTALLATION.....   | 94  |
| FIGURE 2-20. ALARM INSTALLATION.....   | 96  |
| FIGURE 2-21. WHITE NOISE ALARM INSTALLATION.....   | 98  |
| FIGURE 2-22. STROBE LIGHT INSTALLATION (AMBER).....  | 100 |
| FIGURE 2-23. STROBE LIGHT INSTALLATION (BLUE).....   | 102 |
| FIGURE 2-24. STROBE LIGHT INSTALLATION (RED).....  | 104 |
| FIGURE 2-25. EXHAUST STACK INSTALLATION - STEEL HOOD (DEUTZ D2011 ENGINES).....  | 106 |
| FIGURE 2-26. EXHAUST STACK INSTALLATION - STEEL HOOD WITH HOSTILE ENVIRONMENT MACHINES (DEUTZ D2011 ENGINES).....                                  | 108 |
| FIGURE 2-27. EXHAUST STACK INSTALLATION - STEEL HOOD (DEUTZ TD2.9L4 ENGINES).....  | 110 |
| FIGURE 2-28. EXHAUST STACK INSTALLATION - STEEL HOOD (DEUTZ TD2.9L4 (STAGE V) ENGINES).....  | 112 |
| FIGURE 2-29. EXHAUST STACK INSTALLATION - STEEL HOOD WITH HOSTILE ENVIRONMENT MACHINES (DEUTZ TD2.9L4 ENGINES).....                                | 114 |
| FIGURE 2-30. EXHAUST STACK INSTALLATION - STEEL HOOD (FORD DF 2.5L ENGINES).....   | 116 |
| FIGURE 2-31. HOODS INSTALLATION - ABS (DEUTZ D2011 ENGINES).....   | 118 |
| FIGURE 2-32. HOODS INSTALLATION - STEEL (DEUTZ D2011 ENGINES).....   | 122 |
| FIGURE 2-33. HOODS INSTALLATION - STEEL WITH HOSTILE ENVIRONMENT MACHINES (DEUTZ D2011 ENGINES).....   | 126 |
| FIGURE 2-34. HOODS INSTALLATION – STEEL WITH HOSTILE ENVIRONMENT MACHINES (DEUTZ TD2.9L4 ENGINES).....   | 130 |
| FIGURE 2-35. HOODS INSTALLATION – STEEL (DEUTZ TD2.9L4 AND DEUTZ TD2.9L4 (STAGE V) ENGINES).....   | 134 |
| FIGURE 2-36. HOODS INSTALLATION – STEEL WITH HOSTILE ENVIRONMENT MACHINES (DEUTZ TD2.9L4 ENGINES).....   | 138 |
| FIGURE 2-37. HOODS INSTALLATION – STEEL (FORD DF 2.5L ENGINES).....  | 142 |
| FIGURE 2-38. HOOD ASSEMBLY - ENGINE SIDE REAR (DEUTZ TD2.9L4 ENGINES).....   | 146 |
| FIGURE 2-39. HOOD ASSEMBLY - TANK SIDE REAR (DEUTZ TD2.9L4 AND DEUTZ TD2.9L4 (STAGE V) ENGINES).....   | 148 |
| FIGURE 2-40. LIFTING PLATE INSTALLATION.....   | 150 |
| FIGURE 2-41. SKYAIR AIR COMPRESSOR INSTALLATION (DEUTZ D2011 AND FORD DF 2.5L ENGINES).....  | 152 |

# TABLE OF CONTENTS

|   |            |
|---|------------|
| FIGURE 2-42. SKYAIR AIR COMPRESSOR INSTALLATION (DEUTZ TD2.9L4 ENGINES) .....   | 154        |
| FIGURE 2-43. AIR COMPRESSOR ASSEMBLY .....  | 156        |
| <b>SECTION 3 - ENGINE</b> .....   | <b>159</b> |
| FIGURE 3-1. DEUTZ D2011 ENGINE INSTALLATION (WITHOUT ARCTIC PACKAGE) .....  | 160        |
| FIGURE 3-2. DEUTZ D2011 ENGINE INSTALLATION (WITH ARCTIC PACKAGE) .....   | 162        |
| FIGURE 3-3. DEUTZ D2011 ENGINE INSTALLATION (HIGH TEMP MARKETS) .....   | 166        |
| FIGURE 3-4. DEUTZ D2011 ENGINE AND PUMP SUB-ASSEMBLY (WITHOUT ARCTIC PACKAGE) .....                                   | 168        |
| FIGURE 3-5. DEUTZ D2011 ENGINE AND PUMP SUB-ASSEMBLY (WITH ARCTIC PACKAGE) .....                                      | 170        |
| FIGURE 3-6. DEUTZ D2011 ENGINE ASSEMBLY (WITHOUT ARCTIC PACKAGE) .....  | 172        |
| FIGURE 3-7. DEUTZ D2011 ENGINE ASSEMBLY (WITH ARCTIC PACKAGE) .....   | 176        |
| FIGURE 3-8. DEUTZ D2011 ENGINE COMPONENTS .....   | 180        |
| FIGURE 3-9. DEUTZ TD2.9L4 ENGINE INSTALLATION (WITHOUT ARCTIC PACKAGE) .....  | 184        |
| FIGURE 3-10. DEUTZ TD2.9L4 ENGINE INSTALLATION (WITH ARCTIC PACKAGE) .....  | 188        |
| FIGURE 3-11. DEUTZ TD2.9L4 (STAGE V) ENGINE INSTALLATION .....  | 192        |
| FIGURE 3-12. DEUTZ TD2.9L4 ENGINE AND PUMP SUB-ASSEMBLY (WITHOUT ARCTIC PACKAGE) .....                                | 196        |
| FIGURE 3-13. DEUTZ TD2.9L4 ENGINE AND PUMP SUB-ASSEMBLY (WITH ARCTIC PACKAGE) .....                                   | 198        |
| FIGURE 3-14. DEUTZ TD2.9L4 (STAGE V) ENGINE AND PUMP SUB-ASSEMBLY .....   | 200        |
| FIGURE 3-15. DEUTZ TD2.9L4 ENGINE ASSEMBLY (WITHOUT ARCTIC PACKAGE) .....   | 202        |
| FIGURE 3-16. DEUTZ TD2.9L4 ENGINE ASSEMBLY (WITH ARCTIC PACKAGE) .....  | 208        |
| FIGURE 3-17. DEUTZ TD2.9L4 ENGINE ASSEMBLY (STAGE V) .....  | 214        |
| FIGURE 3-18. DEUTZ TD2.9L4 ENGINE COMPONENTS .....  | 220        |
| FIGURE 3-19. FUEL PUMP/FILTER BRACKET ASSEMBLY (DEUTZ TD2.9L4 ENGINES) .....  | 224        |
| FIGURE 3-20. FUEL PUMP/FILTER BRACKET ASSEMBLY (DEUTZ TD2.9L4 (STAGE V) ENGINES) .....                                | 226        |
| FIGURE 3-21. BREATHER HEATER INST (DEUTZ TD2.9L4 ENGINES) .....   | 228        |
| FIGURE 3-22. FORD ENGINE INSTALLATION (WITHOUT ARCTIC PACKAGE) .....  | 230        |
| FIGURE 3-23. FORD ENGINE AND PUMP SUB-ASSEMBLY (WITHOUT ARCTIC PACKAGE) .....   | 234        |
| FIGURE 3-24. FORD ENGINE ASSEMBLY (WITHOUT ARCTIC PACKAGE) .....  | 236        |
| FIGURE 3-25. FORD ENGINE PREP ASSEMBLY .....  | 242        |
| FIGURE 3-26. FORD ENGINE BRACKETS AND EXHAUST MANIFOLD INSTALLATION .....   | 244        |
| FIGURE 3-27. FORD ENGINE DRIVE BELT INSTALLATION (MACHINES WITHOUT GENERATOR) .....                                   | 246        |
| FIGURE 3-28. FORD ENGINE COMPONENTS .....   | 248        |
| FIGURE 3-29. PUMP COUPLING KIT (DEUTZ ENGINES) .....  | 252        |
| FIGURE 3-30. HYDROSTATIC PUMP ASSEMBLY .....  | 254        |
| FIGURE 3-31. VARIABLE PUMP ASSEMBLY .....   | 256        |
| FIGURE 3-32. EXHAUST PIPE INSTALLATION - DEUTZ TD2.9L4 ENGINES .....  | 260        |
| FIGURE 3-33. EXHAUST PIPE INSTALLATION - DEUTZ TD2.9L4 (STAGE V) ENGINES .....  | 262        |
| FIGURE 3-34. EXHAUST PIPE INSTALLATION - FORD DF 2.5L ENGINES .....   | 264        |
| FIGURE 3-35. SPARK ARRESTOR MUFFLER INSTALLATION - DEUTZ D2011 ENGINES .....  | 266        |
| FIGURE 3-36. FUEL-WATER SEPARATOR INSTALLATION - DEUTZ D2011 .....  | 268        |
| FIGURE 3-37. FUEL-WATER SEPARATOR INSTALLATION - DEUTZ TD2.9L4 (PCV 2007) .....                                       | 270        |
| FIGURE 3-38. FUEL FILTER ASSEMBLY (DEUTZ TD2.9L4 ENGINES) .....   | 272        |
| FIGURE 3-39. RIGHT ENGINE SUPPORT INSTALLATION (DEUTZ D2011 ENGINES MACHINES WITHOUT GENERATORS) .....                | 274        |
| FIGURE 3-40. RIGHT ENGINE SUPPORT INSTALLATION (DEUTZ D2011 ENGINES MACHINES WITH GENERATORS) .....                   | 276        |
| FIGURE 3-41. ENGINE HOOD Baffle INSTALLATION - DEUTZ TD2.9L4 AND DEUTZ 2.9L4 (STAGE V) ENGINES WITH ABS HOODS .....   | 278        |
| FIGURE 3-42. ENGINE HOOD Baffle INSTALLATION - DEUTZ TD2.9L4 AND DEUTZ 2.9L4 (STAGE V) ENGINES WITH STEEL HOODS ..... | 280        |
| FIGURE 3-43. ENGINE TRAY JACK INSTALLATION - DEUTZ ENGINES .....  | 282        |
| FIGURE 3-44. ENGINE TRAY JACK INSTALLATION - FORD ENGINES .....   | 284        |
| FIGURE 3-45. 2500W/220V/50HZ GENERATOR INSTALLATION - DEUTZ D2011 ENGINES .....                                       | 286        |
| FIGURE 3-46. 2500W/110V/60HZ GENERATOR INSTALLATION - DEUTZ D2011 ENGINES .....                                       | 288        |
| FIGURE 3-47. 2500W/110V/60HZ GENERATOR INSTALLATION - DEUTZ TD2.9L4 ENGINES .....                                     | 290        |
| FIGURE 3-48. 2500W/110V/60HZ GENERATOR INSTALLATION - FORD ENGINES .....  | 294        |
| FIGURE 3-49. 4000W/50HZ GENERATOR INSTALLATION - DEUTZ D2011 ENGINES .....  | 298        |
| FIGURE 3-50. 4000W/60HZ GENERATOR INSTALLATION - DEUTZ D2011 ENGINES .....  | 302        |
| FIGURE 3-51. 4000W/50HZ GENERATOR INSTALLATION - DEUTZ TD2.9L4 AND DEUTZ TD2.9L4 (STAGE V) ENGINES .....              | 306        |
| FIGURE 3-52. 4000W/60HZ GENERATOR INSTALLATION - DEUTZ TD2.9L4 ENGINES .....  | 310        |
| FIGURE 3-53. 7500W/50HZ SKYPOWER GENERATOR INSTALLATION - DEUTZ D2011 ENGINES .....                                   | 314        |
| FIGURE 3-54. 7500W/60HZ SKYPOWER GENERATOR INSTALLATION - DEUTZ D2011 ENGINES .....                                   | 318        |
| FIGURE 3-55. 7500W/50HZ SKYPOWER GENERATOR INSTALLATION - DEUTZ TD2.9L4 AND DEUTZ TD2.9L4 (STAGE V) ENGINES .....     | 322        |
| FIGURE 3-56. 7500W/60HZ SKYPOWER GENERATOR INSTALLATION - DEUTZ TD2.9L4 AND DEUTZ TD2.9L4 (STAGE V) ENGINES .....     | 326        |
| FIGURE 3-57. 7500W/60HZ SKYPOWER GENERATOR INSTALLATION - FORD DF 2.5L ENGINES .....                                  | 330        |

# TABLE OF CONTENTS

|   |     |
|---|-----|
| SECTION 4 - BOOM.....   | 335 |
| FIGURE 4-1. BOOM AND CYLINDERS INSTALLATION - 860SJ HC3.....  | 336 |
| FIGURE 4-2. MAIN BOOM ASSEMBLY - 860SJ HC3.....   | 340 |
| FIGURE 4-3. JIB ASSEMBLY - 860SJ HC3.....   | 344 |
| FIGURE 4-4. ROTATOR ASSEMBLY - 860SJ HC3.....   | 346 |
| FIGURE 4-5. PLATFORM SUPPORT INSTALLATION.....  | 348 |
| FIGURE 4-6. POWER TRACK INSTALLATION - MAIN BOOM - 860SJ HC3.....                                       | 350 |
| FIGURE 4-7. CONTROL VALVE INSTALLATION - 860SJ HC3.....   | 352 |
| FIGURE 4-8. PLATFORM VALVE ASSEMBLY - 860SJ HC3.....  | 354 |
| FIGURE 4-9. LIMIT SWITCHES AND COVERS INSTALLATION.....   | 356 |
| FIGURE 4-10. SENSOR ASSEMBLY - LOWER.....   | 358 |
| SECTION 5 - PLATFORM.....   | 361 |
| FIGURE 5-1. PLATFORM ASSEMBLY WITH DROP-BAR - 30IN X 3FT (76CM X 1M).....                               | 362 |
| FIGURE 5-2. PLATFORM ASSEMBLY WITH DROP-BAR - 30IN X 4FT (76CM X 1.22M).....                            | 364 |
| FIGURE 5-3. PLATFORM ASSEMBLY WITH DROP-BAR - 30IN X 5FT (76CM X 1.52M).....                            | 366 |
| FIGURE 5-4. PLATFORM ASSEMBLY WITH DROP-BAR - 36IN X 6FT (91.5CM X 1.83M).....                          | 368 |
| FIGURE 5-5. PLATFORM ASSEMBLY WITH DROP-BAR - 36IN X 8FT (91.5CM X 2.44M).....                          | 370 |
| FIGURE 5-6. PLATFORM ASSEMBLY WITH GATE - 30IN X 4FT (76CM X 1.22M).....                                | 372 |
| FIGURE 5-7. PLATFORM ASSEMBLY WITH GATE - 30IN X 5FT (76CM X 1.52M) (USA BUILT MACHINES.....            | 374 |
| FIGURE 5-8. PLATFORM ASSEMBLY WITH GATE- 36IN X 6FT (91.5CM X 1.83M).....                               | 376 |
| FIGURE 5-9. PLATFORM ASSEMBLY WITH GATE - 36IN X 8FT (91.5CM X 2.44M).....                              | 378 |
| FIGURE 5-10. PLATFORM ASSEMBLY WITH 1 GATE / 2 DROP BARS (TRI-ENTRY) - 36IN X 6FT (91.5CM X 1.83M)..... | 380 |
| FIGURE 5-11. PLATFORM ASSEMBLY WITH 3 DROP BARS (TRI-ENTRY) - 36IN X 6FT (91.5CM X 1.83M).....          | 382 |
| FIGURE 5-12. PLATFORM ASSEMBLY WITH 1 GATE / 2 DROP BARS (TRI-ENTRY) - 36IN X 8FT (91.5CM X 2.44M)..... | 384 |
| FIGURE 5-13. PLATFORM ASSEMBLY WITH 3 DROP BARS (TRI-ENTRY) - 36IN X 8FT (91.5CM X 2.44M).....          | 386 |
| FIGURE 5-14. PLATFORM ASSEMBLY WITH FALL ARREST (6FT).....  | 388 |
| FIGURE 5-15. PLATFORM ASSEMBLY WITH FALL ARREST (8FT).....  | 390 |
| FIGURE 5-16. PLATFORM CONSOLE AND FOOTSWITCH INSTALLATION.....  | 392 |
| FIGURE 5-17. PLATFORM CONSOLE ASSEMBLY.....   | 394 |
| FIGURE 5-18. FOOTSWITCH ASSEMBLY.....   | 398 |
| FIGURE 5-19. CONTROLLER ASSEMBLY - LIFT/SWING.....  | 400 |
| FIGURE 5-20. CONTROLLER ASSEMBLY- DRIVE/STEER.....  | 404 |
| FIGURE 5-21. LIGHT PANEL INSTALLATION.....  | 406 |
| FIGURE 5-22. JIB SWITCH INSTALLATION - 860SJ.....   | 408 |
| FIGURE 5-23. SKYEYE INSTALLATION.....   | 410 |
| FIGURE 5-24. SKYGUARD BAR INSTALLATION.....   | 412 |
| FIGURE 5-25. SKYLINE INSTALLATION.....  | 414 |
| FIGURE 5-26. STORAGE TRAY INSTALLATION - CENTER.....  | 416 |
| FIGURE 5-27. SKYCUTTER INSTALLATION.....  | 418 |
| FIGURE 5-28. SKYWELDER/SKYCUTTER COMBO INSTALLATION (60HZ).....   | 420 |
| FIGURE 5-29. PLASMA CUTTER ASSEMBLY.....  | 424 |
| FIGURE 5-30. SKYWELDER INSTALLATION (50HZ).....   | 426 |
| FIGURE 5-31. SKYWELDER INSTALLATION (60HZ).....   | 428 |
| FIGURE 5-32. WELDER ASSEMBLY.....   | 430 |
| FIGURE 5-33. SKYWELDER PREP PACKAGE (60HZ).....   | 432 |
| FIGURE 5-34. PIPE RACKS INSTALLATION (ANSI AND CSA SPECS).....  | 434 |
| FIGURE 5-35. PIPE RACKS INSTALLATION (AUSTRALIAN SPECS).....  | 436 |
| FIGURE 5-36. SOFT TOUCH SYSTEM INSTALLATION - 6FT/1.83M PLATFORM.....                                   | 438 |
| FIGURE 5-37. SOFT TOUCH SYSTEM INSTALLATION - 6FT/1.83M FALL ARREST PLATFORM.....                       | 440 |
| FIGURE 5-38. SOFT TOUCH SYSTEM INSTALLATION - 8FT/2.44M PLATFORM.....                                   | 442 |
| FIGURE 5-39. SOFT TOUCH SYSTEM INSTALLATION - 8FT/2.44M FALL ARREST PLATFORM.....                       | 444 |
| FIGURE 5-40. SOFT TOUCH SYSTEM INSTALLATION - OVER HEAD (CHINESE/KOREAN SPECS).....                     | 446 |
| FIGURE 5-41. FALL ARREST INSTALLATION (BOLT-ON) (4FT/1.22M PLATFORM).....                               | 448 |
| FIGURE 5-42. FALL ARREST INSTALLATION (BOLT-ON) (6FT/1.82M PLATFORM).....                               | 450 |
| FIGURE 5-43. FALL ARREST INSTALLATION (BOLT-ON) (8FT/2.4M PLATFORM).....                                | 452 |
| FIGURE 5-44. FALL ARREST INSTALLATION (BOLT-ON) (6FT/1.82M TRI-ENTRY PLATFORM).....                     | 454 |
| SECTION 6 - CYLINDER.....   | 457 |
| FIGURE 6-1. AXLE LOCKOUT CYLINDER ASSEMBLY.....   | 458 |
| FIGURE 6-2. LEVEL CYLINDER ASSEMBLY - PLATFORM SLAVE (860SJ HC3).....                                   | 460 |
| FIGURE 6-3. LIFT CYLINDER ASSEMBLY - JIB (860SJ HC3 ONLY).....  | 462 |
| FIGURE 6-4. LIFT CYLINDER ASSEMBLY - JIB.....   | 464 |
| FIGURE 6-5. LIFT CYLINDER ASSEMBLY - JIB.....   | 466 |

# TABLE OF CONTENTS

|  |     |
|--|-----|
| FIGURE 6-6. LIFT CYLINDER ASSEMBLY - MAIN BOOM (860SJ HC3) .....   | 468 |
| FIGURE 6-7. STEER CYLINDER ASSEMBLY .....  | 470 |
| FIGURE 6-8. TELESCOPE CYLINDER ASSEMBLY (860SJ HC3) .....  | 472 |
| SECTION 7 - HYDRAULIC .....  | 475 |
| FIGURE 7-1. HYDRAULIC DIAGRAM - AXLE (OSCILLATING).....  | 476 |
| FIGURE 7-2. HYDRAULIC DIAGRAM - DRIVE (4WD WITHOUT ARCTIC PACKAGE).....  | 478 |
| FIGURE 7-3. HYDRAULIC DIAGRAM - DRIVE (4WD WITH ARCTIC PACKAGE) .....  | 482 |
| FIGURE 7-4. HYDRAULIC DIAGRAM - STANDARD (860SJ HC3 WITHOUT TOW BAR PACKAGE) .....   | 486 |
| FIGURE 7-5. HYDRAULIC DIAGRAM - STANDARD (860SJ HC3 WITH TOW BAR PACKAGE).....   | 490 |
| SECTION 8 - ELECTRICAL.....  | 495 |
| FIGURE 8-1. AC BOX AT PLATFORM INSTALLATION - 110V GFI RECEPTACLE (ALL SPECS EXCEPT AUSTRALIAN & CE SPECS).....                                    | 496 |
| FIGURE 8-2. AC BOX AT PLATFORM INSTALLATION - 220V (ANSI, CSA & JAPANESE SPECS).....   | 498 |
| FIGURE 8-3. AC BOX AT PLATFORM MID-BOOM PLUG INSTALLATION (WITHOUT 7500W SKYPOWER GENERATOR) (ANSI EXPORT, AUSTRALIAN & CE SPECS).....             | 500 |
| FIGURE 8-4. AC BOX AT PLATFORM MID-BOOM PLUG INSTALLATION (WITHOUT GENERATOR) (CHINA SPECS).....   | 502 |
| FIGURE 8-5. AC BOX AT PLATFORM INSTALLATION - 110V IEC 60309 YELLOW WITHOUT 2500W GENERATOR (CE SPECS).....  | 504 |
| FIGURE 8-6. AC BOX AT PLATFORM INSTALLATION - 110V IEC 60309 YELLOW WITH 2500W GENERATOR (CE SPECS).....   | 506 |
| FIGURE 8-7. AC BOX AT PLATFORM INSTALLATION - 110V IEC YELLOW (CE SPECS) (MACHINES WITH 4000W GENERATOR) .....                                     | 508 |
| FIGURE 8-8. AC BOX AT PLATFORM INSTALLATION - 220V IEC BLUE (CE SPECS) (MACHINES WITH 2500W GENERATOR OR NO GENERATOR OPTION).....                 | 510 |
| FIGURE 8-9. AC BOX AT PLATFORM INSTALLATION - 220V IEC 60309 BLUE WITH 2500W GENERATOR (CE SPECS) ...  | 512 |
| FIGURE 8-10. AC BOX AT PLATFORM INSTALLATION - 220V IEC BLUE (CE SPECS) (MACHINES WITH 4000W GENERATOR) .....                                      | 514 |
| FIGURE 8-11. AC BOX AT PLATFORM INSTALLATION - 220V CEE7 POST GROUND (CE SPECS) (MACHINES WITH 2500W GENERATOR OR NO GENERATOR OPTION) .....       | 516 |
| FIGURE 8-12. AC BOX AT PLATFORM INSTALLATION - 220V CEE7 POST GROUND (2X4 BOX) WITH 2500W GENERATOR (CE SPECS).....                                | 518 |
| FIGURE 8-13. AC BOX AT PLATFORM INSTALLATION - 220V CEE7 POST GROUND (CE SPECS) (MACHINES WITH 4000W GENERATOR) .....                              | 520 |
| FIGURE 8-14. AC BOX AT PLATFORM INSTALLATION - 220V CEE7 SIDE GROUND (CE SPECS) (MACHINES WITH 2500W GENERATOR OR NO GENERATOR OPTION) .....       | 522 |
| FIGURE 8-15. AC BOX AT PLATFORM INSTALLATION - 220V CEE7 SIDE GROUND (2X4 BOX) WITH 2500W GENERATOR (CE SPECS).....                                | 524 |
| FIGURE 8-16. AC BOX AT PLATFORM INSTALLATION - 220V CEE7 SIDE GROUND (CE SPECS) (MACHINES WITH 4000W GENERATOR) .....                              | 526 |
| FIGURE 8-17. AC BOX AT PLATFORM INSTALLATION - 220V AFSINT 107 KEYED GROUND (CE SPECS) (MACHINES WITH 2500W GENERATOR OR NO GENERATOR OPTION)..... | 528 |
| FIGURE 8-18. AC BOX AT PLATFORM INSTALLATION - 220V AFSINT 107 KEYED GROUND (2X4 BOX) WITH 2500W GENERATOR (CE SPECS).....                         | 530 |
| FIGURE 8-19. AC BOX AT PLATFORM INSTALLATION - 220V AFSINT 107 KEYED GROUND (CE SPECS) (MACHINES WITH 4000W GENERATOR).....                        | 532 |
| FIGURE 8-20. AC BOX AT PLATFORM INSTALLATION - 220V (2X4 BOX & COVER ONLY - LOCALLY SUPPLIED RECEPTACLE) (4000W GENERATOR).....                    | 534 |
| FIGURE 8-21. AC BOX AT PLATFORM INSTALLATION - 240V GFCI RECEPTACLE (ANSI, ANSI EXPORT AND CSA SPECS WITH 4000W SKYPOWER GENERATOR) .....          | 536 |
| FIGURE 8-22. AC BOX AT PLATFORM INSTALLATION - 240V GFCI RECEPTACLE (ANSI AND CSA SPECS WITH 7500W SKYPOWER GENERATOR).....                        | 538 |
| FIGURE 8-23. AC CABLE WITH 16 AMP BREAKER INSTALLATION (WITHOUT 7500W SKYPOWER GENERATOR) (CE SPECS).....  | 540 |
| FIGURE 8-24. AC CABLE WITH 10 AMP BREAKER INSTALLATION (WITHOUT 7500W SKYPOWER GENERATOR) (CE SPECS).....  | 542 |
| FIGURE 8-25. ANALYZER CABLE HARNESS.....   | 544 |
| FIGURE 8-26. BATTERY DISCONNECT SWITCH INSTALLATION.....   | 546 |
| FIGURE 8-27. BEACON CONTROL HARNESS (BLUE AND RED STROBE LIGHTS) .....   | 548 |
| FIGURE 8-28. BOOM CABLES INSTALLATION - 860SJ HC3 WITHOUT ARCTIC PACKAGE (ALL SPECS).....  | 550 |
| FIGURE 8-29. BOOM CABLES INSTALLATION - 860SJ HC3 WITH ARCTIC PACKAGE (ANSI, ANSI EXPORT AND CSA SPECS).....                                       | 552 |
| FIGURE 8-30. BOOM CABLES INSTALLATION - 860SJ HC3 WITH 4000W GENERATOR AND WITHOUT ARCTIC PACKAGE (ANSI, ANSI EXPORT, CSA AND JAPANESE SPECS)..... | 554 |



# TABLE OF CONTENTS

|   |     |
|---|-----|
| FIGURE 8-31. BOOM CABLES INSTALLATION - 860SJ HC3 WITH 7500W GENERATOR AND WITHOUT ARCTIC PACKAGE (ALL SPECS).....                      | 556 |
| FIGURE 8-32. BOOM CABLES INSTALLATION - 860SJ HC3 WITH 7500W GENERATOR AND WITH ARCTIC PACKAGE (ANSI, ANSI EXPOERT AND CSA SPECS) ..... | 558 |
| FIGURE 8-33. BOOM CABLES INSTALLATION - 860SJ HC3 WITHOUT AC CABLES (CHINA SPECS).....  | 560 |
| FIGURE 8-34. BOOM HARNESS - 860SJ HC3 (MAIN BOOM) (WITHOUT ARCTIC PACKAGE).....   | 562 |
| FIGURE 8-35. BOOM HARNESS - 860SJ (MAIN BOOM) (WITH ARCTIC PACKAGE) .....   | 564 |
| FIGURE 8-36. BOOM CABLE (TOWER BOOM) (WITHOUT ARCTIC PACKAGE) .....   | 566 |
| FIGURE 8-37. BOOM CABLE (TOWER BOOM) (WITHOUT ARCTIC PACKAGE) .....   | 568 |
| FIGURE 8-38. BREAKER BOX KIT - ONE DOUBLE 16AMP BREAKER (CE SPECS WITHOUT 7500W GENERATOR) .....  | 570 |
| FIGURE 8-39. BREAKER BOX KIT - ONE DOUBLE 16AMP BREAKER (WITH 4000W/50HZ GENERATOR) .....   | 572 |
| FIGURE 8-40. BREAKER BOX KIT - 10 AMP (CE SPECS WITHOUT 7500W GENERATOR).....   | 574 |
| FIGURE 8-41. ENGINE HARNESS - DEUTZ D2011 ENGINES (ANSI EXPORT (LRC) AND AUSTRALIAN SPECS) .....  | 576 |
| FIGURE 8-42. ENGINE HARNESS - DEUTZ D2011 ENGINES (CE SPECS).....   | 578 |
| FIGURE 8-43. ENGINE HARNESS - DEUTZ TD2.9L4 AND DEUTZ 2.9L4 (STAGE V) ENGINES.....  | 580 |
| FIGURE 8-44. ENGINE HARNESS - DEUTZ TD2.9L4 ENGINES.....  | 582 |
| FIGURE 8-45. ENGINE HARNESS - DEUTZ TD2.9L4 (STAGE V) ENGINES .....   | 586 |
| FIGURE 8-46. ENGINE HARNESS - FORD DF 2.5L ENGINES.....   | 590 |
| FIGURE 8-47. FUEL PUMP HARNESS - DEUTZ TD2.9L4 ENGINES .....  | 592 |
| FIGURE 8-48. FUEL HARNESS - DEUTZ TD2.9L4 (STAGE V) ENGINE .....  | 594 |
| FIGURE 8-49. GENERATOR TO ENGINE HARNESS - 2500W (FORD ENGINES) .....   | 596 |
| FIGURE 8-50. GENERATOR TO ENGINE HARNESS - 4000W/50HZ (DEUTZ D2011 ENGINES) .....   | 598 |
| FIGURE 8-51. GENERATOR TO ENGINE HARNESS - 4000W/60HZ (DEUTZ ENGINES).....  | 600 |
| FIGURE 8-52. GENERATOR TO ENGINE HARNESS - 4000W/50HZ (DEUTZ TD2.9L4 ENGINES).....  | 602 |
| FIGURE 8-53. GENERATOR TO ENGINE HARNESS - 7500W SKYPOWER GENERATOR (DEUTZ D2011 ENGINES).....  | 604 |
| FIGURE 8-54. GENERATOR TO ENGINE HARNESS - 7500W SKYPOWER (DEUTZ TD2.9L4 T4F ENGINES).....  | 606 |
| FIGURE 8-55. GENERATOR TO ENGINE HARNESS - 7500W SKYPOWER (FORD DF 2.5L ENGINES) (PVC 2001) .....                                       | 608 |
| FIGURE 8-56. GENERATOR TO ENGINE HARNESS - 7500W SKYPOWER (FORD DF 2.5L ENGINES) (PVC 2007) .....                                       | 610 |
| FIGURE 8-57. GENERATOR TO REAR OF BOOM HARNESS - 110V.....  | 612 |
| FIGURE 8-58. GENERATOR TO REAR OF BOOM HARNESS - 220V.....  | 614 |
| FIGURE 8-59. GROUND CONTROL BOX HARNESS.....  | 616 |
| FIGURE 8-60. HOLDING VALVE/LIFT DUMP HARNESS ASSEMBLY (WITHOUT ARCTIC PACKAGE) .....  | 618 |
| FIGURE 8-61. HOLDING VALVE/LIFT DUMP HARNESS ASSEMBLY (WITH ARCTIC PACKAGE).....  | 620 |
| FIGURE 8-62. PLATFORM CONSOLE BOX HARNESS .....   | 622 |
| FIGURE 8-63. RECEPTACLE BOX KIT - 110V IEC YELLOW WITHOUT 2500W GENERATOR (CE SPECS).....   | 624 |
| FIGURE 8-64. RECEPTACLE BOX KIT - 110V IEC YELLOW WITH 2500W GENERATOR (CE SPECS) .....   | 626 |
| FIGURE 8-65. RECEPTACLE BOX KIT - 220V IEC BLUE WITHOUT 2500W GENERATOR (CE SPECS) .....  | 628 |
| FIGURE 8-66. RECEPTACLE BOX KIT - 220V IEC BLUE WITH 2500W GENERATOR (CE SPECS).....  | 630 |
| FIGURE 8-67. RECEPTACLE BOX KIT - 220V CEE7 POST GROUND 2X4 BOX (CE SPEC).....  | 632 |
| FIGURE 8-68. RECEPTACLE BOX KIT - 220V CEE7 SIDE GROUND 2X4 BOX (CE SPEC) .....   | 634 |
| FIGURE 8-69. RECEPTACLE BOX KIT - 220V AFSINT107 KEYED GROUND (CE SPECS) .....  | 636 |
| FIGURE 8-70. SKYEYE INTERMEDIATE HARNESS.....   | 638 |
| FIGURE 8-71. SKYEYE RECEIVER HARNESS .....  | 640 |
| FIGURE 8-72. SKYEYE EMITTER HARNESS.....  | 642 |
| FIGURE 8-73. SKYLINE HARNESS.....   | 644 |
| FIGURE 8-74. SKYGUARD INERFACE HARNESS.....   | 646 |
| FIGURE 8-75. VALVE HARNESS .....  | 648 |
| SECTION 9 - DECALS.....   | 651 |
| FIGURE 9-1. DECAL INSTALLATION - 860SJ HC3 (ANSI SPECS) .....   | 652 |
| FIGURE 9-2. DECAL INSTALLATION - 860SJ HC3 (AUSTRALIAN SPECS) .....   | 656 |
| FIGURE 9-3. DECAL INSTALLATION - 860SJ HC3 (BRAZILIAN SPECS) .....  | 660 |
| FIGURE 9-4. DECAL INSTALLATION - 860SJ HC3 (CE SPECS).....  | 664 |
| FIGURE 9-5. DECAL INSTALLATION - 860SJ HC3 (CHINESE SPECS).....   | 668 |
| FIGURE 9-6. DECAL INSTALLATION - 860SJ HC3 (CSA SPECS) .....  | 672 |
| FIGURE 9-7. DECAL INSTALLATION - 860SJ HC3 (JAPANESE SPECS).....  | 676 |
| FIGURE 9-8. DECAL INSTALLATION - 860SJ HC3 (KOREAN SPECS).....  | 680 |
| FIGURE 9-9. DECAL INSTALLATION - 860SJ HC3 (LATIN AMERICAN SPECS).....  | 684 |
| FIGURE 9-10. DECAL INSTALLATION - OPTIONS .....   | 688 |
| FIGURE 9-11. SKYCUTTER DECAL INSTALLATION (ANSI, ANSI EXPORT & CSA SPECS) .....   | 692 |
| FIGURE 9-12. SKYCUTTER DECAL INSTALLATION (JAPANESE SPECS).....   | 694 |
| FIGURE 9-13. SKYWELDER DECAL INSTALLATION - 50HZ .....  | 696 |
| FIGURE 9-14. SKYWELDER DECAL INSTALLATION - 60HZ (PVC 2007).....  | 698 |
| SECTION 10 - RECOMMENDED SERVICE PARTS STOCK .....  | 701 |

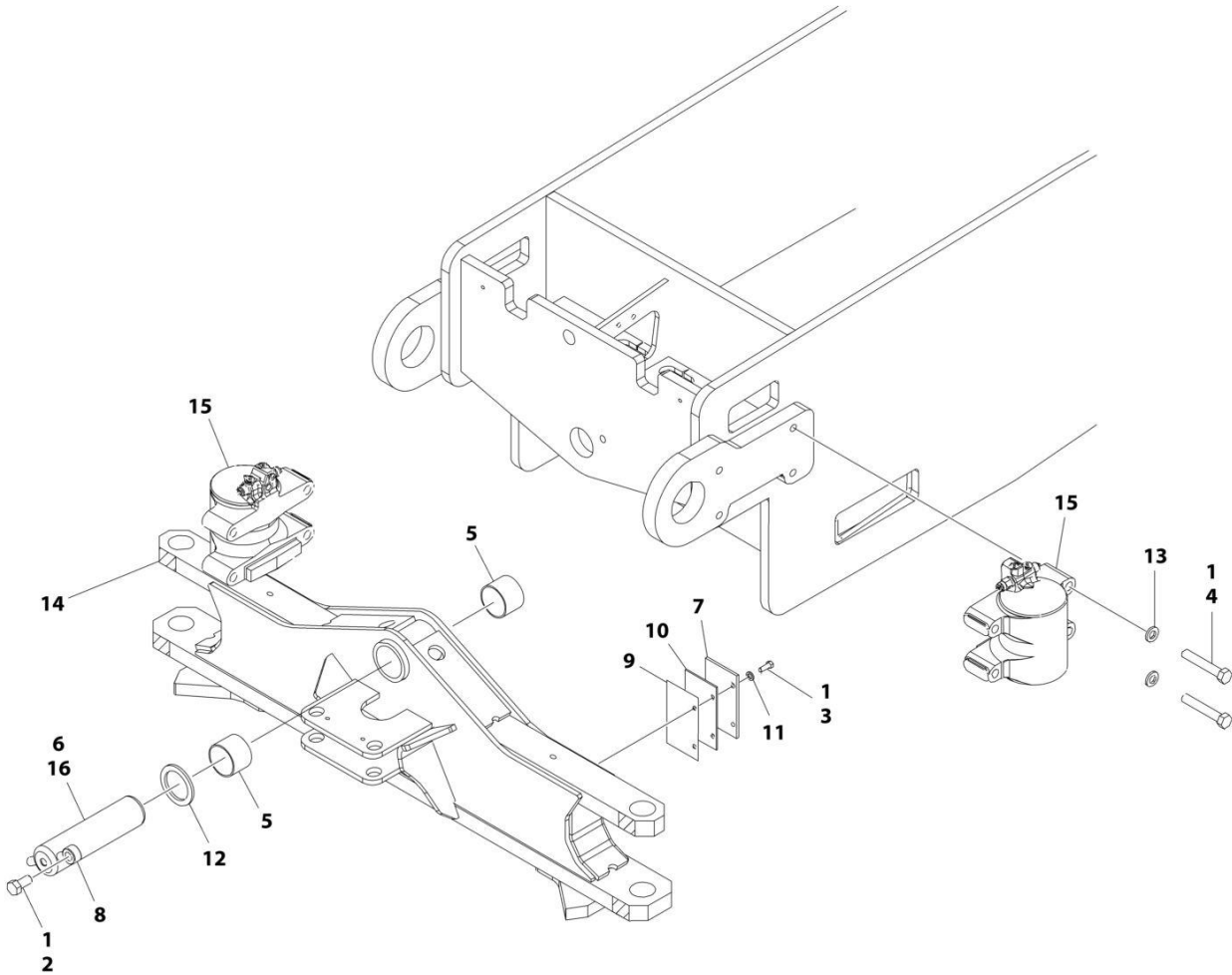
# TABLE OF CONTENTS

|  |     |
|--|-----|
| FIGURE 10-1. RECOMMENDED SERVICE PARTS STOCK 800S HC3 _860SJ HC3 ..... | 702 |
| SECTION 11 - SPECIAL OPTIONS .....                                     | 705 |
| FIGURE 11-1. SPECIAL OPTIONS .....                                     | 706 |
| PART NUMBER INDEX.....   | 711 |

**SECTION 1 - FRAME**

# SECTION 1 - FRAME

## FIGURE 1-1. AXLE INSTALLATION - OSCILLATING (WITHOUT TOW PACKAGE)



ART\_1001154584

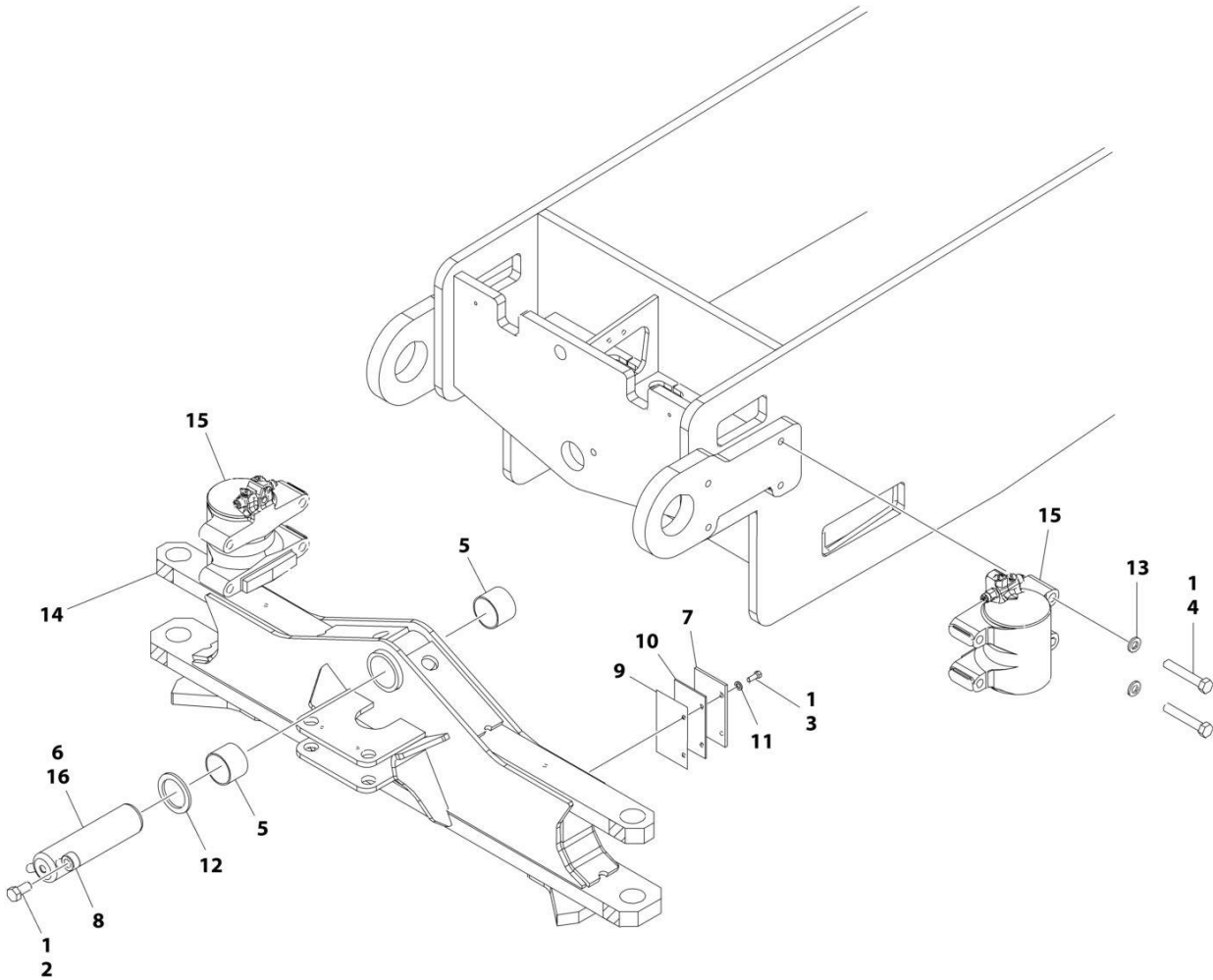
## SECTION 1 - FRAME

**FIGURE 1-1. AXLE INSTALLATION - OSCILLATING (WITHOUT TOW PACKAGE)**

| ITEM | PART NUMBER | QTY | DESCRIPTION   | REV |
|------|-------------|-----|---|-----|
|      | 1001154584  | Ref | AXLE INSTALLATION   | D   |
| 1    | 0100011     | AR  | Compound, Locking   |     |
| 2    | 0642212     | 1   | Bolt 3/4 x 1-1/2  |     |
| 3    | 0681608     | 4   | Bolt 3/8 x 1 Grade 8  |     |
| 4    | 0682236     | 8   | Bolt 3/4 x 4-1/2 Grade 8  |     |
| 5    | 0962102     | 2   | Bushing   |     |
| 6    | 3020039     | AR  | Lubricant   |     |
| 7    | 3538047     | 2   | Shim .25  |     |
| 8    | 3841287     | 1   | Keeper, Pin   |     |
| 9    | 4070878     | AR  | Shim 16 Gauge   |     |
| 10   | 4070879     | AR  | Shim 11 Gauge   |     |
| 11   | 4711600     | 4   | Washer 3/8  |     |
| 12   | 4740472     | 1   | Washer  |     |
| 13   | 4892200     | 8   | Washer 3/4  |     |
| 14   | 1001152719  | 1   | Axle  |     |
| 15   | 1001204560  | 2   | Axle Lockout Cylinder Assembly (See Separate Breakdown in CYLINDER SECTION) |     |
| 16   | 1001156710  | 1   | Pin   |     |

# SECTION 1 - FRAME

## FIGURE 1-2. AXLE INSTALLATION - OSCILLATING (WITH TOW PACKAGE)



ART\_1001155194

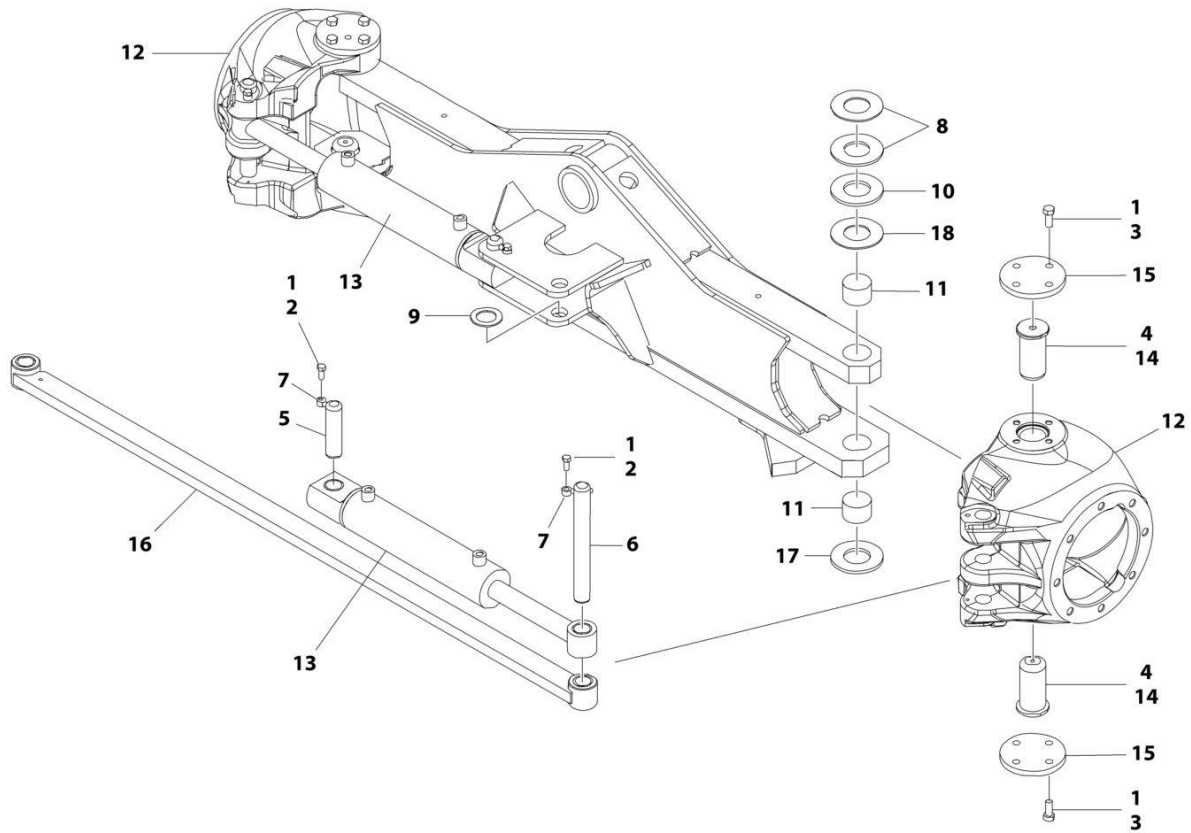
## SECTION 1 - FRAME

**FIGURE 1-2. AXLE INSTALLATION - OSCILLATING (WITH TOW PACKAGE)**

| ITEM | PART NUMBER | QTY | DESCRIPTION   | REV |
|------|-------------|-----|---|-----|
|      | 1001155194  | Ref | AXLE INSTALLATION   | D   |
| 1    | 0100011     | AR  | Compound, Locking   |     |
| 2    | 0642212     | 1   | Bolt 3/4 x 1-1/2  |     |
| 3    | 0681608     | 4   | Bolt 3/8 x 1 Grade 8  |     |
| 4    | 0682236     | 8   | Bolt 3/4 x 4-1/2 Grade 8  |     |
| 5    | 0962102     | 2   | Bushing   |     |
| 6    | 3020039     | AR  | Lubricant   |     |
| 7    | 3538047     | 2   | Shim .25  |     |
| 8    | 3841287     | 1   | Keeper, Pin   |     |
| 9    | 4070878     | AR  | Shim 16 Gauge   |     |
| 10   | 4070879     | AR  | Shim 11 Gauge   |     |
| 11   | 4711600     | 4   | Washer 3/8  |     |
| 12   | 4740472     | 1   | Washer  |     |
| 13   | 4892200     | 8   | Washer 3/4  |     |
| 14   | 1001154875  | 1   | Axle  |     |
| 15   | 1001204560  | 2   | Axle Lockout Cylinder Assembly (See Separate Breakdown in CYLINDER SECTION) |     |
| 16   | 1001156710  | 1   | Pin   |     |

# SECTION 1 - FRAME

## FIGURE 1-3. STEERING INSTALLATION - WITHOUT TOW PACKAGE



ART\_1001151034



## SECTION 1 - FRAME

**FIGURE 1-3. STEERING INSTALLATION - WITHOUT TOW PACKAGE**

| ITEM | PART NUMBER | QTY | DESCRIPTION  | REV |
|------|-------------|-----|--|-----|
|      | 1001151034  | Ref | STEER INSTALLATION   | F   |
| 1    | 0100011     | AR  | Compound, Locking  |     |
| 2    | 0641607     | 4   | Bolt 3/8 x 7/8   |     |
| 3    | 0641810     | 16  | Bolt 1/2 x 1-1/4   |     |
| 4    | 3020029     | AR  | Lubricant  |     |
| 5    | 3422417     | 2   | Pin  |     |
| 6    | 3422790     | 2   | Pin  |     |
| 7    | 3841520     | 4   | Keeper, Pin  |     |
| 8    | 4740256     | AR  | Washer, Thrust   |     |
| 9    | 4740473     | 2   | Washer   |     |
| 10   | 1001103810  | AR  | Washer, Thrust   |     |
| 11   | 1001165657  | 4   | Bearing  |     |
| 12   | 1001150372  | 2   | Spindle  |     |
| 13   | 1001150539  | 2   | Steer Cylinder Assembly (See Separate Breakdown in CYLINDER SECTION) |     |
| 14   | 1001161355  | 4   | Kingpin  |     |
| 15   | 1001150937  | 4   | Plate  |     |
| 16   | 1001151980  | 1   | Tie-Rod  |     |
| 17   | 1001161399  | 2   | Washer,Thrust  |     |
| 18   | 4740463     | AR  | Washer, Thrust   |     |



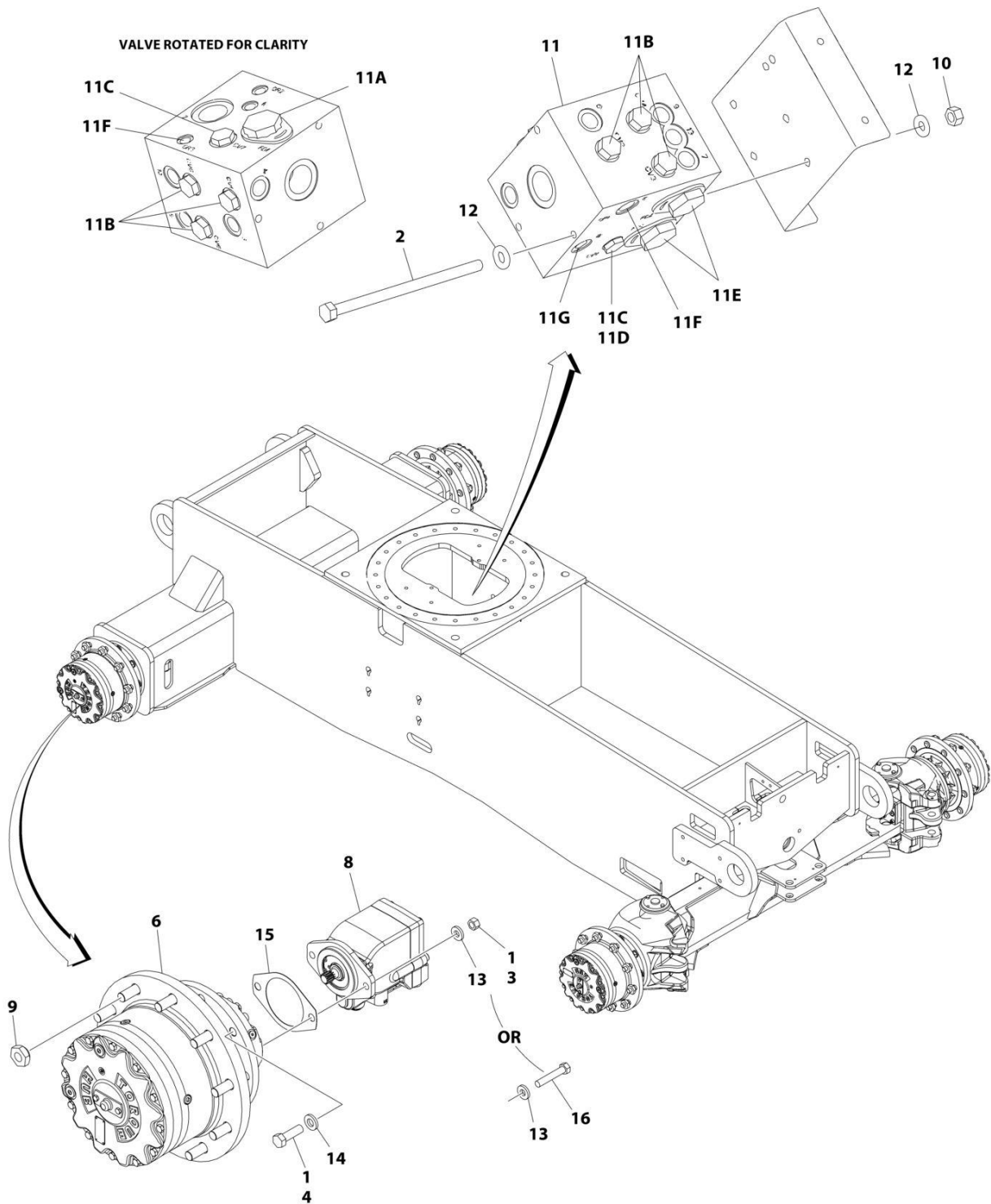
## SECTION 1 - FRAME

**FIGURE 1-4. STEERING INSTALLATION - WITH TOW PACKAGE**

| ITEM | PART NUMBER | QTY | DESCRIPTION  | REV |
|------|-------------|-----|--|-----|
|      | 1001155192  | Ref | STEER INSTALLATION   | D   |
| 1    | 0100011     | AR  | Compound, Locking  |     |
| 2    | 0641607     | 6   | Bolt 3/8 x 7/8   |     |
| 3    | 0641810     | 16  | Bolt 1/2 x 1-1/4   |     |
| 4    | 3020029     | AR  | Lubricant  |     |
| 5    | 3422417     | 2   | Pin  |     |
| 6    | 3422790     | 2   | Pin  |     |
| 7    | 3841520     | 6   | Keeper, Pin  |     |
| 8    | 4740256     | AR  | Washer, Thrust   |     |
| 9    | 4740473     | 2   | Washer   |     |
| 10   | 1001103810  | AR  | Washer, Thrust   |     |
| 11   | 1001165657  | 4   | Bearing  |     |
| 12   | 1001150372  | 2   | Spindle  |     |
| 13   | 1001150539  | 2   | Steer Cylinder Assembly (See Separate Breakdown in CYLINDER SECTION) |     |
| 14   | 1001161355  | 4   | Kingpin  |     |
| 15   | 1001150937  | 4   | Plate  |     |
| 16   | 1001154931  | 2   | Tie-Rod  |     |
| 16A  | 0962181     | 1   | Bushing  |     |
| 16B  | 0962152     | 1   | Bushing  |     |
| 17   | 1001161399  | 2   | Washer, Thrust   |     |
| 18   | 0741609     | 4   | Screw 3/8 x 1-1/8  |     |
| 19   | 3340966     | 2   | Pad, Stop  |     |
| 20   | 3422848     | 2   | Pin, Hitch   |     |
| 21   | 4071059     | AR  | Shim 16 Gauge  |     |
| 22   | 4740155     | 3   | Washer, Thrust   |     |
| 23   | 1001155035  | 1   | Link   |     |
| 23A  | 0962348     | 1   | Bushing  |     |
| 24   | 4740463     | AR  | Washer, Thrust   |     |

# SECTION 1 - FRAME

## FIGURE 1-5. WHEEL DRIVE AND FRAME VALVES INSTALLATION – 4WD



ART\_1001157016

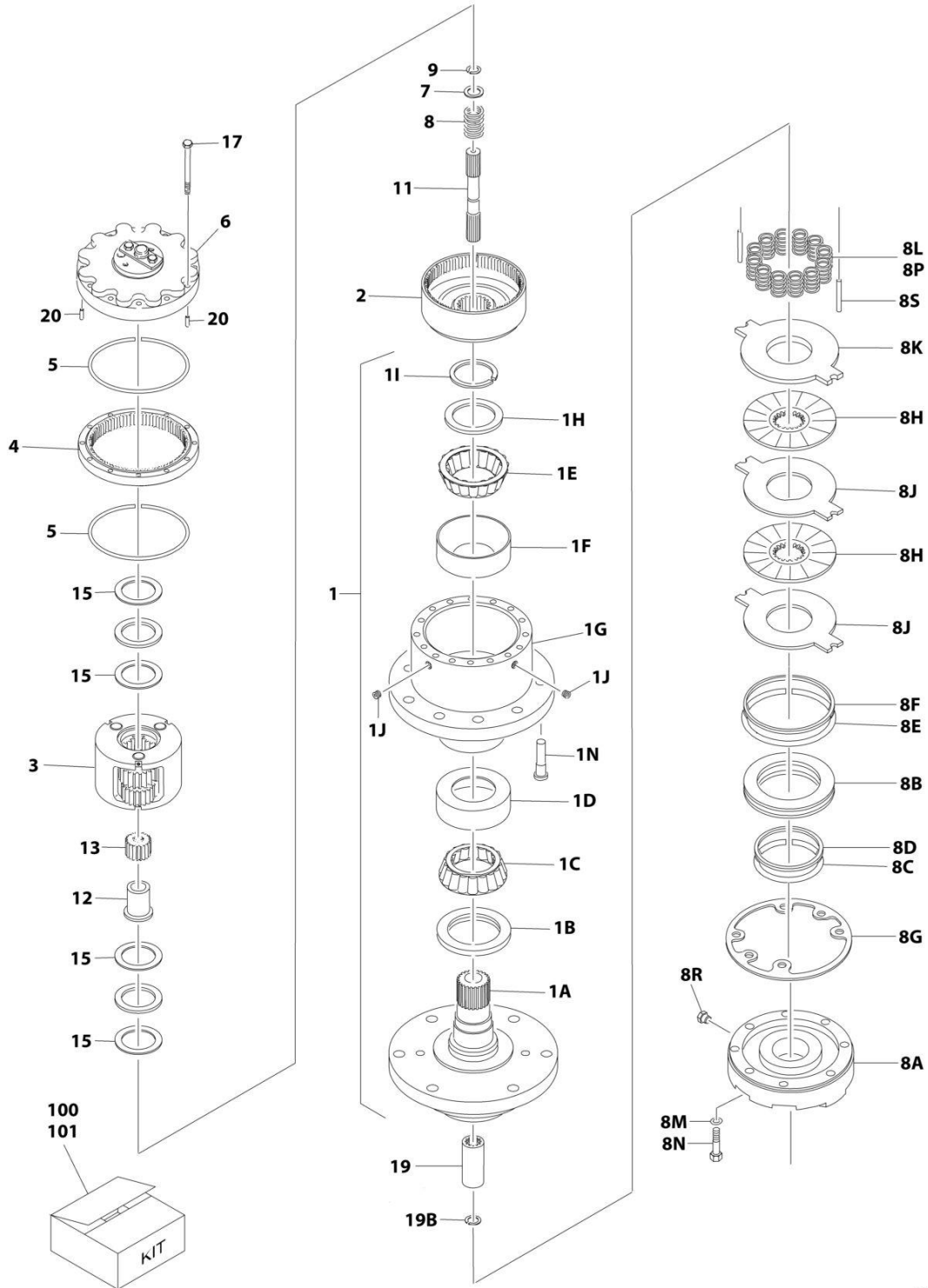
## SECTION 1 - FRAME

**FIGURE 1-5. WHEEL DRIVE AND FRAME VALVES INSTALLATION – 4WD**

| ITEM | PART NUMBER | QTY | DESCRIPTION   | REV |
|------|-------------|-----|---|-----|
|      | 1001157016  | Ref | WHEEL DRIVE AND FRAME VALVES INSTALLATION                     | C   |
| 1    | 0100011     | AR  | Compound, Locking   |     |
| 2    | 0641560     | 3   | Bolt 5/16 x 7-1/2   |     |
| 3    | 3311801     | 8   | Nut 1/2   |     |
| 4    | 0682016     | 32  | Bolt 5/8 x 2 Grade 8  |     |
| 5    | 2300016     | AR  | Fluid, Hydraulic (Not Shown)                                  |     |
| 6    | 1001219219  | 4   | Drive Hub Assembly (See Separate Breakdown in this Section)   |     |
| 7    | 3020008     | AR  | Lubricant (Not Shown)   |     |
| 8    | 3160348     | 4   | Drive Motor Assembly (See Separate Breakdown in this Section) |     |
| 9    | 3300007     | 40  | Nut, Wheel  |     |
| 10   | 3311505     | 3   | Nut 5/16  |     |
| 11   | 4641303     | 1   | Flow Divider Valve Assembly                                   | C   |
| 11A  | 7023933     | 1   | Cartridge, Flow Divider                                       |     |
| 11A  | 7021625     | 1   | Seal Kit - 7023933 Cartridge                                  |     |
| 11B  | 7022397     | 6   | Cartridge, Check  |     |
| 11B  | 7022399     | 6   | Seal Kit - 7022397 Cartridge                                  |     |
| 11C  | 7021639     | 2   | Cartridge, Check Valves                                       |     |
| 11C  | 2900756     | 2   | Seal Kit - 7021639 Cartridge                                  |     |
| 11D  | 7024881     | 1   | Piston, Pilot   |     |
| 11E  | 7023917     | 2   | Cartridge, Flow Divider                                       |     |
| 11E  | 7021625     | 2   | Seal Kit - 7023917 Cartridge                                  |     |
| 11F  | 70003935    | 2   | Orifice   |     |
| 11G  | 70003936    | 1   | Orifice   |     |
| 12   | 4711500     | 6   | Washer 5/16   |     |
| 13   | 4891800     | 8   | Washer 1/2  |     |
| 14   | 4892000     | 32  | Washer 5/8  |     |
| 15   | 3960526     | 2   | Gasket  |     |
| 16   | 0681822     | 4   | Bolt 1/2 x 2-3/4  |     |

# SECTION 1 - FRAME

## FIGURE 1-6. DRIVE HUB/BRAKE ASSEMBLY



ART\_1001219219

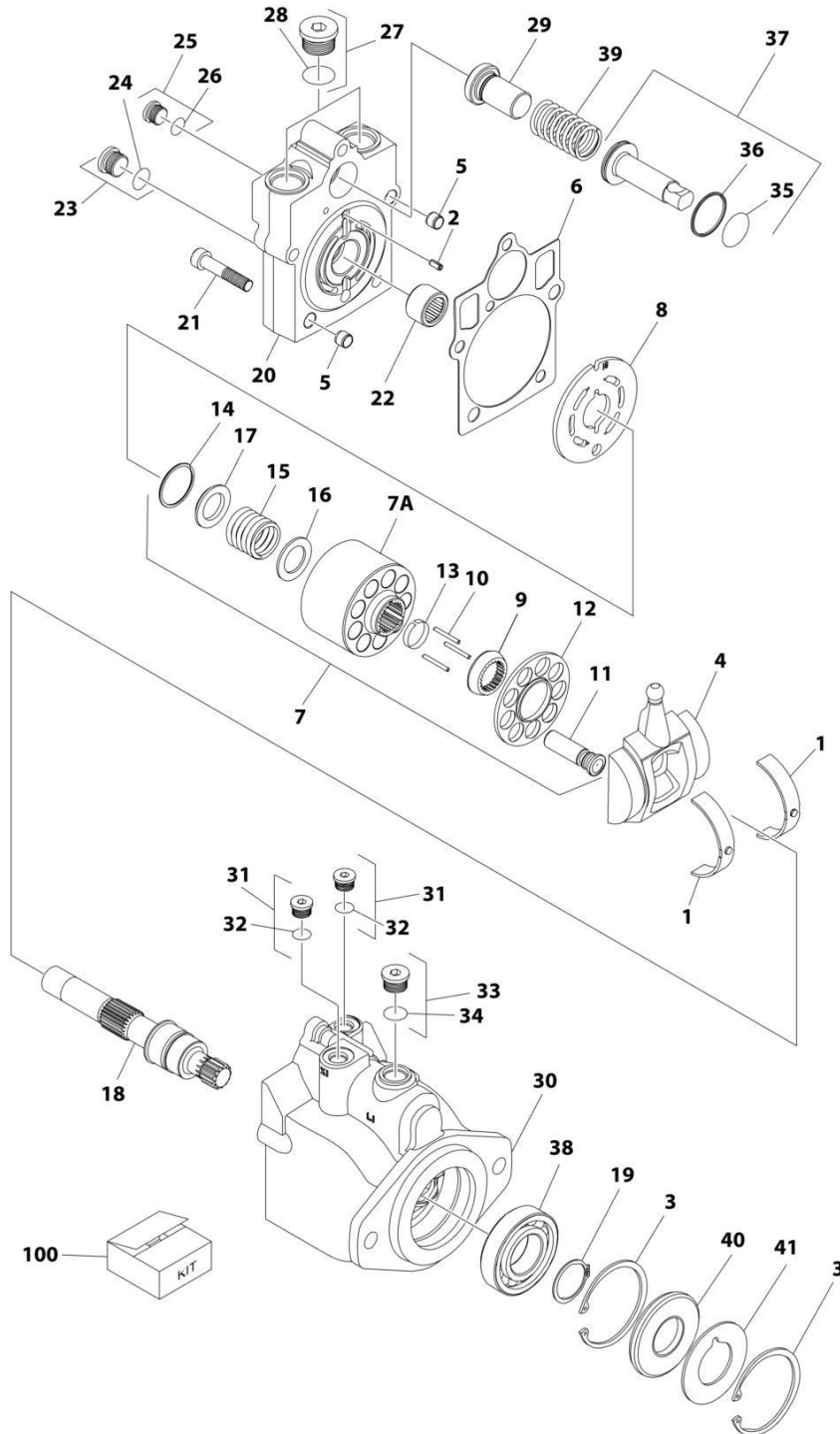
# SECTION 1 - FRAME

## FIGURE 1-6. DRIVE HUB/BRAKE ASSEMBLY

| ITEM | PART NUMBER | QTY | DESCRIPTION   | REV |
|------|-------------|-----|---|-----|
|      | 1001219219  | Ref | DRIVE HUB/BRAKE ASSEMBLY  | C   |
| 1    | See Note    | NSS | Spindle/Housing Assembly (Note: Not Available - Purchase Individual Components) |     |
| 1A   | 70006677    | 1   | Spindle   |     |
| 1B   | 70006678    | 1   | Seal  |     |
| 1C   | 1001091460  | 1   | Cone, Bearing   |     |
| 1D   | 1001091460  | 1   | Cup, Bearing  |     |
| 1E   | 1001091461  | 1   | Cone, Bearing   |     |
| 1F   | 1001091461  | 1   | Cup, Bearing  |     |
| 1G   | See Note    | NSS | Housing (Note: Not Available - Not Available for Purchase)                      |     |
| 1H   | 7000239     | 1   | Thrustwasher  |     |
| 1I   | 7000240     | 1   | Ring, Retaining   |     |
| 1J   | 7001928     | 1   | Plug, Pipe  |     |
| 1N   | See Note    | NSS | Stud, Wheel (Note: Not Available - Not Available for Purchase)                  |     |
| 2    | 7024782     | 1   | Gear, Ring  |     |
| 3    | 70006673    | 1   | Carrier Assembly  |     |
| 4    | 7024151     | 1   | Gear, Internal  |     |
| 5    | 7000224     | 2   | O-Ring  |     |
| 6    | 70006674    | NSS | Cover Assembly (Note: Not Available - Not Available for Purchase)               |     |
| 7    | 70006691    | 1   | Thrustwasher  |     |
| 8    | 7000283     | 1   | Spring  |     |
| 8A   | 7024191     | 1   | Housing, Piston   |     |
| 8B   | 70006684    | 1   | Piston  |     |
| 8C   | See Note    | NSS | O-Ring (Note: Use Item 101)   |     |
| 8D   | See Note    | NSS | Ring, Back-up (Note: Use Item 101)  |     |
| 8E   | See Note    | NSS | O-Ring (Note: Use Item 101)   |     |
| 8F   | See Note    | NSS | Ring, Back-up (Note: Use Item 101)  |     |
| 8G   | See Note    | NSS | Gasket (Note: Use Items 100 & 101)  |     |
| 8H   | See Note    | NSS | Brake, Stator (Note: Use Item 100)  |     |
| 8J   | See Note    | NSS | Brake, Rotor (Note: Use Item 100)   |     |
| 8K   | See Note    | NSS | Plate, Pressure (Note: Use Item 100)  |     |
| 8L   | 80344004    | 10  | Spring  |     |
| 8M   | 70006685    | 6   | Capscrew  |     |
| 8N   | 70006690    | 6   | Lockwasher  |     |
| 8P   | 70006680    | 2   | Spring  |     |
| 8R   | 7017082     | 2   | Plug  |     |
| 8S   | 7024190     | 2   | Pin, Dowel  |     |
| 9    | 7000284     | 1   | Ring, Retaining   |     |
| 11   | 70006675    | 1   | Shaft, Input  |     |
| 12   | 7024154     | 1   | Spacer, Input   |     |
| 13   | 7024149     | 1   | Gear, Sun   |     |
| 15   | 70006692    | 2   | Thrustwasher  |     |
| 17   | 7000289     | 12  | Bolt 3/8 x 2-1/2in (Grade 8)  |     |
| 19   | 70006676    | 1   | Coupling  |     |
| 19B  | 7017028     | 1   | Ring, Retaining   |     |
| 20   | 7017047     | 2   | Pin, Dowel  |     |
| 100  | 70006832    | 1   | Friction Disc Kit (Includes Items 8G, 8H, 8J & 8K)                              |     |
| 101  | 70006833    | 1   | Seal Kit (Includes Items - 8C-8G)   |     |

# SECTION 1 - FRAME

## FIGURE 1-7. DRIVE MOTOR ASSEMBLY - 4WD



ART\_3160348



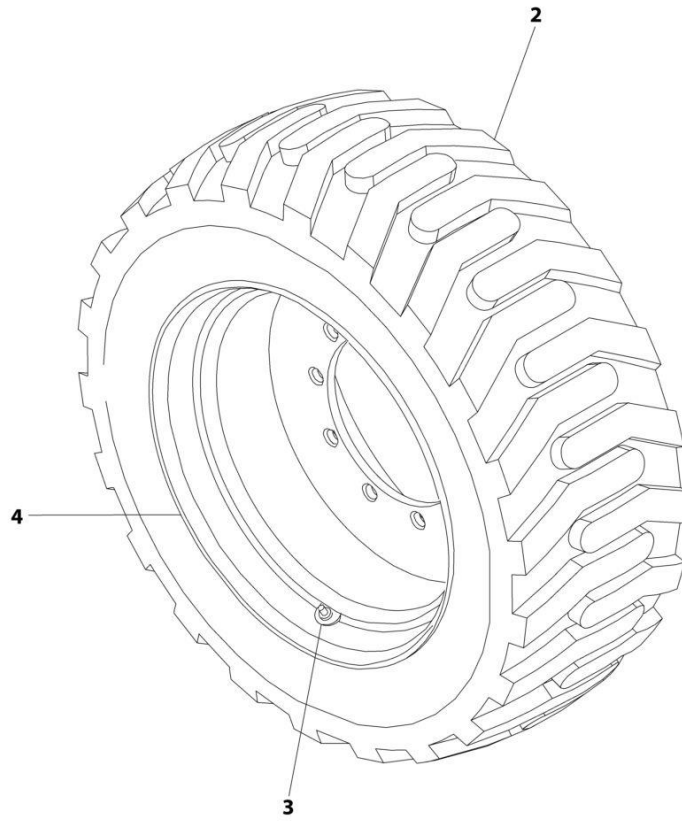
# SECTION 1 - FRAME

## FIGURE 1-7. DRIVE MOTOR ASSEMBLY - 4WD

| ITEM | PART NUMBER | QTY | DESCRIPTION  | REV |
|------|-------------|-----|--|-----|
|      | 3160348     | Ref | DRIVE MOTOR ASSEMBLY   | D   |
| 1    | 7022302     | 2   | Bearing, Journal   |     |
| 2    | 7007446     | 1   | Pin  |     |
| 3    | 7007438     | 2   | Ring, Retaining  |     |
| 4    | 7022305     | 1   | Swash Plate  |     |
| 5    | See Note    | 2   | Pin (Note: Not Available for Purchase)                       |     |
| 6    | See Note    | NSS | Gasket (Note: Use Item 100)                                  |     |
| 7    | 7023907     | 1   | Cylinder Block Kit (Includes Items 7A & 9-17)                |     |
| 7A   | See Note    | NSS | Block, Cylinder (Note: Use Item 7)                           |     |
| 8    | 7023908     | 1   | Plate, Valve   |     |
| 9    | 7021277     | 1   | Guide, Slipper Retainer                                      |     |
| 10   | 7021275     | 3   | Pin, Slipper Hold Down                                       |     |
| 11   | See Note    | NSS | Piston Assembly (Note: Use Item 7)                           |     |
| 12   | 7022310     | 1   | Retainer, Slipper  |     |
| 13   | 7021276     | 1   | Retainer, Hold Down Pin                                      |     |
| 14   | 7022311     | 1   | Ring, Retaining  |     |
| 15   | 7022312     | 1   | Spring   |     |
| 16   | 7024868     | 1   | Washer   |     |
| 17   | 7022314     | 1   | Retainer, Spring   |     |
| 18   | 7023910     | 1   | Shaft  |     |
| 19   | 7007439     | 1   | Ring, Retaining  |     |
| 20   | 70000797    | 1   | Cap, End - Axial   |     |
| 21   | 7022368     | 5   | Screw  |     |
| 22   | 7021249     | 1   | Bearing, Needle  |     |
| 23   | 2220886     | 1   | Plug (Includes Item 24)                                      |     |
| 24   | See Note    | 1   | O-Ring (Note: Use Item 23 or 100)                            |     |
| 25   | 2220883     | 1   | Plug (Includes Item 26)                                      |     |
| 26   | See Note    | NSS | O-Ring (Note: Use Item 25 or 100)                            |     |
| 27   | 2220888     | 2   | Plug (Includes Item 28)                                      |     |
| 28   | See Note    | NSS | O-Ring (Note: Use Item 27 or 100)                            |     |
| 29   | 7022372     | 1   | Seat, Spring   |     |
| 30   | See Note    | NSS | Housing (Note: Not Available - Purchase Complete Assembly)   |     |
| 31   | 2220883     | 2   | Plug (Includes Item 32)                                      |     |
| 32   | See Note    | NSS | O-Ring (Note: Use Item 31 or 100)                            |     |
| 33   | 2220886     | 1   | Plug (Includes Item 34)                                      |     |
| 34   | See Note    | NSS | O-Ring (Note: Use Item 33 or 100)                            |     |
| 35   | See Note    | NSS | O-Ring (Note: Use Item 100)                                  |     |
| 36   | See Note    | NSS | Ring, Seal (Note: Use Item 100)                              |     |
| 37   | 7024854     | 1   | Piston, Servo (Includes Items 35 & 36)                       |     |
| 38   | 7007437     | 1   | Bearing  |     |
| 39   | 7022326     | 1   | Spring   |     |
| 40   | See Note    | 1   | Seal, Lip (Note: Use Item 100)                               |     |
| 41   | 7022371     | 1   | Washer, Support  |     |
|      |             | Ref | KIT OPTIONS:   |     |
| 100  | 7022328     | 1   | Seal Kit (Includes Items 6, 24, 26, 28, 32, 34, 35, 36 & 40) |     |

# SECTION 1 - FRAME

FIGURE 1-8. TIRE & WHEEL INSTALLATION - 15-625 NHS FOAM-FILLED



ART\_0270886

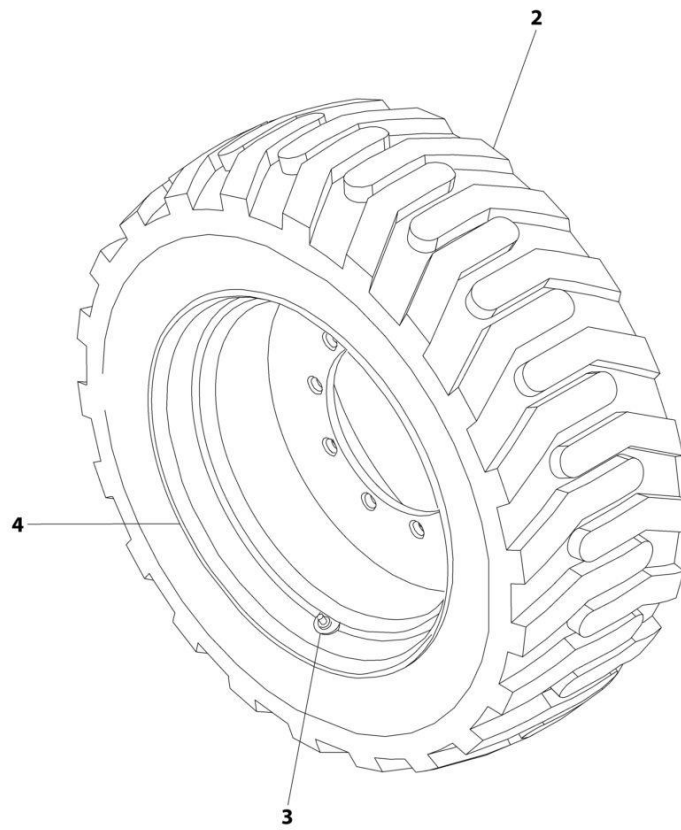
**SECTION 1 - FRAME**

**FIGURE 1-8. TIRE & WHEEL INSTALLATION - 15-625 NHS FOAM-FILLED**

| ITEM | PART NUMBER | QTY | DESCRIPTION  | REV |
|------|-------------|-----|--|-----|
|      | 0270886     | Ref | TIRE AND WHEEL INSTALLATION  | D   |
|      | 0271085     | 2   | Tire and Wheel Assembly - 15-625 NHS Foam-Filled LH Side   | H   |
|      | 0271086     | 2   | Tire and Wheel Assembly - 15-625 NHS Foam-Filled RH Side   | I   |
|      |             | Ref | Note: Assemblies may require ballast/foam filling to manufacturer's specifications prior to installing on a machine. Refer to Operation and Safety or Service and Maintenance Manuals. |     |
|      |             | Ref | Purchase individual tire and/or rim only if able to foam fill tire and wheel assembly, otherwise, purchase complete assembly.  |     |
| 2    | 4520252     | 1   | Tire 15-625  |     |
| 3    | 4641122     | 1   | Valve, Air   |     |
| 4    | 4860224     | 1   | Rim, Wheel - 13 x 24.5 Rim   |     |

## SECTION 1 - FRAME

FIGURE 1-9. TIRE AND WHEEL INSTALLATION 18-625 NHS FOAM-FILLED TIRE



ART\_0270888

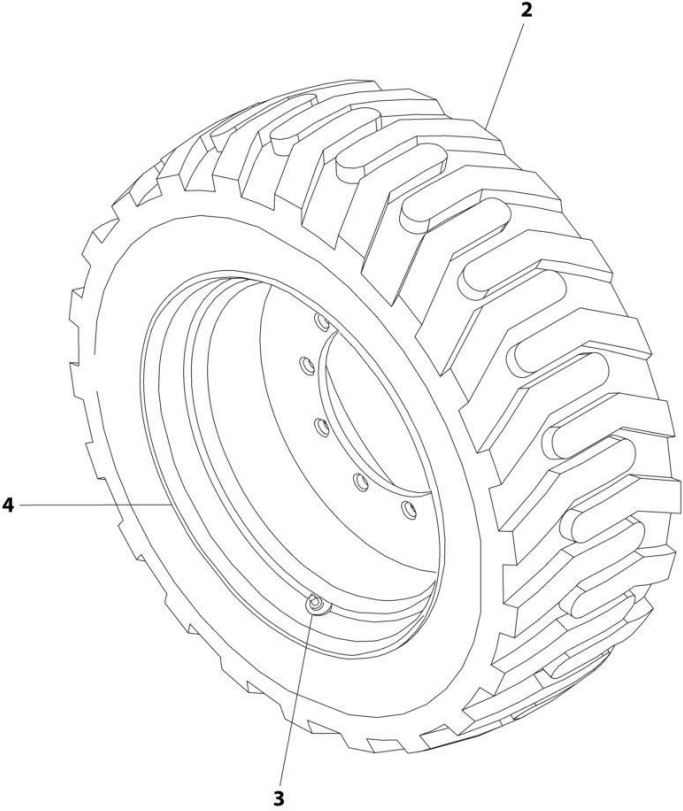
**SECTION 1 - FRAME**

**FIGURE 1-9. TIRE AND WHEEL INSTALLATION 18-625 NHS FOAM-FILLED TIRE**

| ITEM | PART NUMBER | QTY | DESCRIPTION  | REV |
|------|-------------|-----|--|-----|
|      | 0270888     | Ref | TIRE AND WHEEL INSTALLATION  | C   |
|      | 0271090     | 2   | Tire and Wheel Assembly - 18-625 NHS Foam-Filled LH Side   | G   |
|      | 0271091     | 2   | Tire and Wheel Assembly - 18-625 NHS Foam-Filled RH Side   | G   |
|      |             | Ref | Note: Assemblies may require ballast/foam filling to manufacturer's specifications prior to installing on a machine. Refer to Operation and Safety or Service and Maintenance Manuals. |     |
|      |             | Ref | Purchase individual tire and/or rim only if able to foam fill tire and wheel assembly, otherwise, purchase complete assembly.  |     |
| 2    | 4520253     | 1   | Tire 18-625  |     |
| 3    | 4641122     | 1   | Valve, Air   |     |
| 4    | 4860225     | 1   | Rim, Wheel - 15 x 24.5 Rim   |     |

**SECTION 1 - FRAME**

**FIGURE 1-10. TIRE AND WHEEL INSTALLATION 18-625 NHS FOAM-FILLED NON-MARKING TIRE**



ART\_1001169757

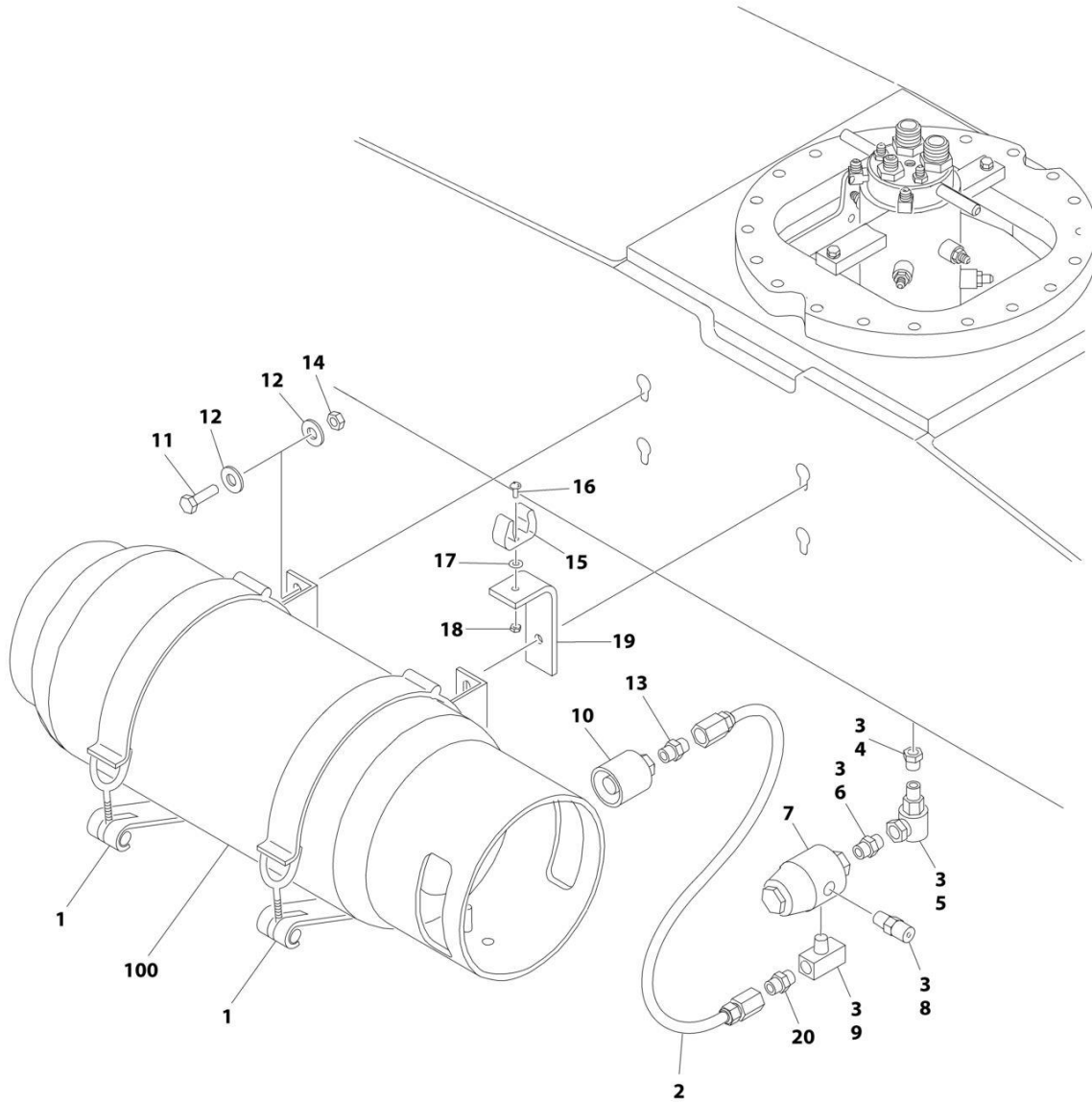
**SECTION 1 - FRAME**

**FIGURE 1-10. TIRE AND WHEEL INSTALLATION 18-625 NHS FOAM-FILLED NON-MARKING TIRE**

| ITEM | PART NUMBER | QTY | DESCRIPTION  | REV |
|------|-------------|-----|--|-----|
|      | 1001169757  | Ref | TIRE AND WHEEL INSTALLATION  | A   |
|      | 1001169755  | 2   | Tire and Wheel Assembly - 18-625 NHS Foam-Filled Non-Marking LH Side   | D   |
|      | 1001169756  | 2   | Tire and Wheel Assembly - 18-625 NHS Foam-Filled Non-Marking RH Side   | D   |
|      |             | Ref | Note: Assemblies may require ballast/foam filling to manufacturer's specifications prior to installing on a machine. Refer to Operation and Safety or Service and Maintenance Manuals. |     |
|      |             | Ref | Purchase individual tire and/or rim only if able to foam fill tire and wheel assembly, otherwise, purchase complete assembly.  |     |
| 2    | 1001169754  | 1   | Tire 18-625 Non-Marking  |     |
| 3    | 4641122     | 1   | Valve, Air   |     |
| 4    | 4860225     | 1   | Rim, Wheel - 15 x 24.5 Rim   |     |

# SECTION 1 - FRAME

## FIGURE 1-11. LP TANK BRACKETS INSTALLATIONS



ART\_1001151010



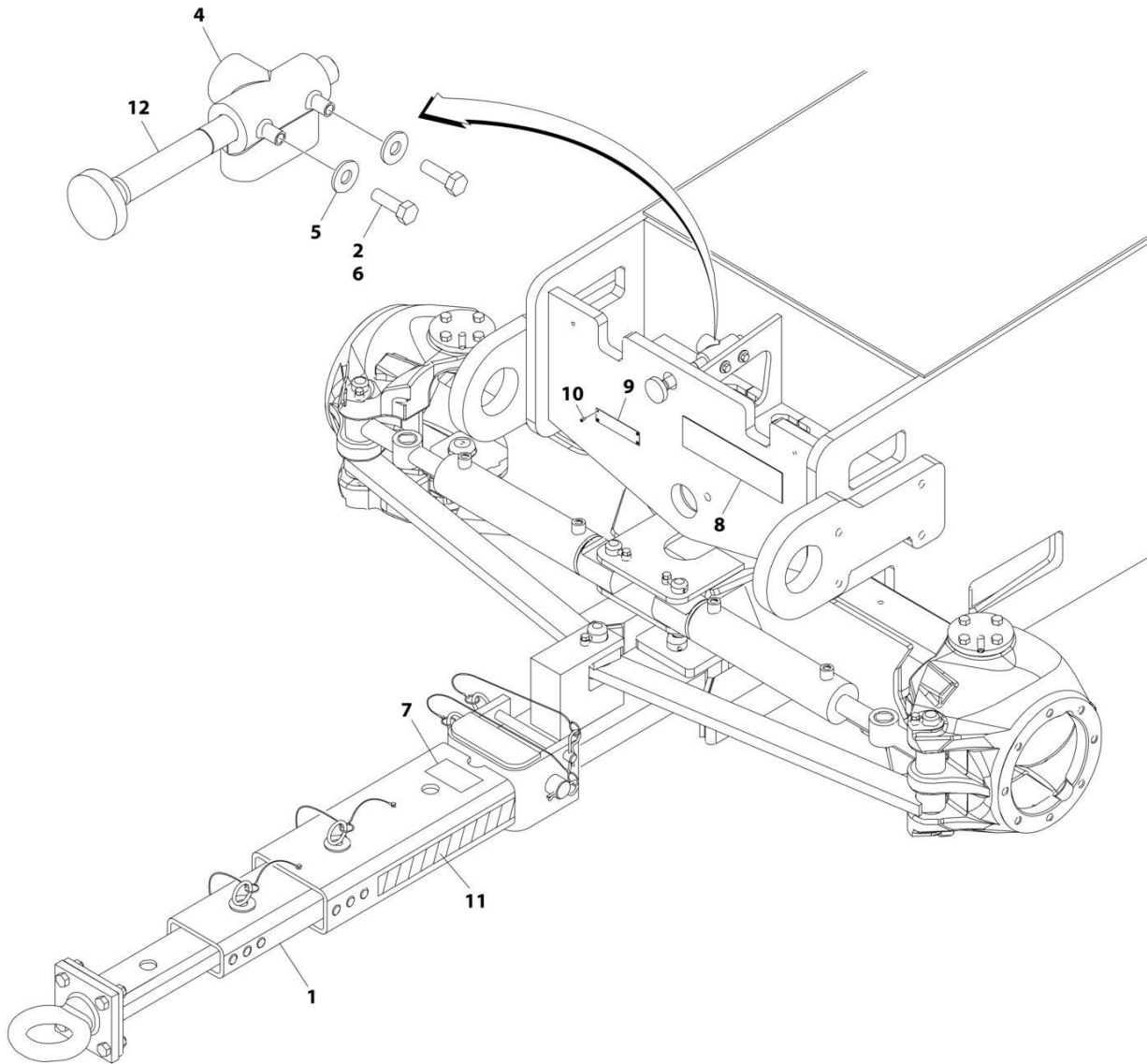
# SECTION 1 - FRAME

## FIGURE 1-11. LP TANK BRACKETS INSTALLATIONS

| ITEM | PART NUMBER | QTY | DESCRIPTION                     | REV |
|------|-------------|-----|---------------------------------|-----|
|      | 1001151010  | Ref | LP TANK BRACKETS INSTALLATION   | E   |
| 1    | 1320220     | 2   | Clamp                           |     |
| 1    | 1320127     | 2   | Clamp, Toggle (1 Per Clamp)     |     |
| 2    | 2720144     | 2   | Hose                            |     |
| 3    | 0100020     | AR  | Sealant, Pipe                   |     |
| 4    | 2221197     | 1   | Fitting, Reducer                |     |
| 5    | 1001247358  | 1   | Fitting, 90 Swivel              |     |
| 6    | 2220261     | 1   | Fitting, Nipple                 |     |
| 7    | 2180388     | 1   | Fitting, Bulkhead               |     |
| 8    | 2180389     | 1   | Valve, Relief                   |     |
| 9    | 2220418     | 1   | Fitting, Tee                    |     |
| 10   | 2180387     | 2   | Fitting, Straight               |     |
| 11   | 0641617     | 8   | Bolt 3/8 x 2-1/8                |     |
| 12   | 4751600     | 16  | Washer 3/8                      |     |
| 13   | 2180418     | 2   | Fitting, Connector              |     |
| 14   | 3311605     | 8   | Nut 3/8                         |     |
| 15   | 1320218     | 2   | Clamp, Spring                   |     |
| 16   | 0720804     | 2   | Screw #8 x 1/2                  |     |
| 17   | 4750800     | 4   | Washer #8                       |     |
| 18   | 3310805     | 2   | Nut #8                          |     |
| 19   | 0181949     | 2   | Angle, Support                  |     |
| 20   | 2221024     | 2   | Fitting, Union Ball Check       |     |
| 100  | 4400275     | 1   | Tank, LP - 43.5 Lbs. (Aluminum) |     |

# SECTION 1 - FRAME

FIGURE 1-12. TOW PACKAGE INSTALLATION (ENGLISH DECALS)



ART\_1001158436

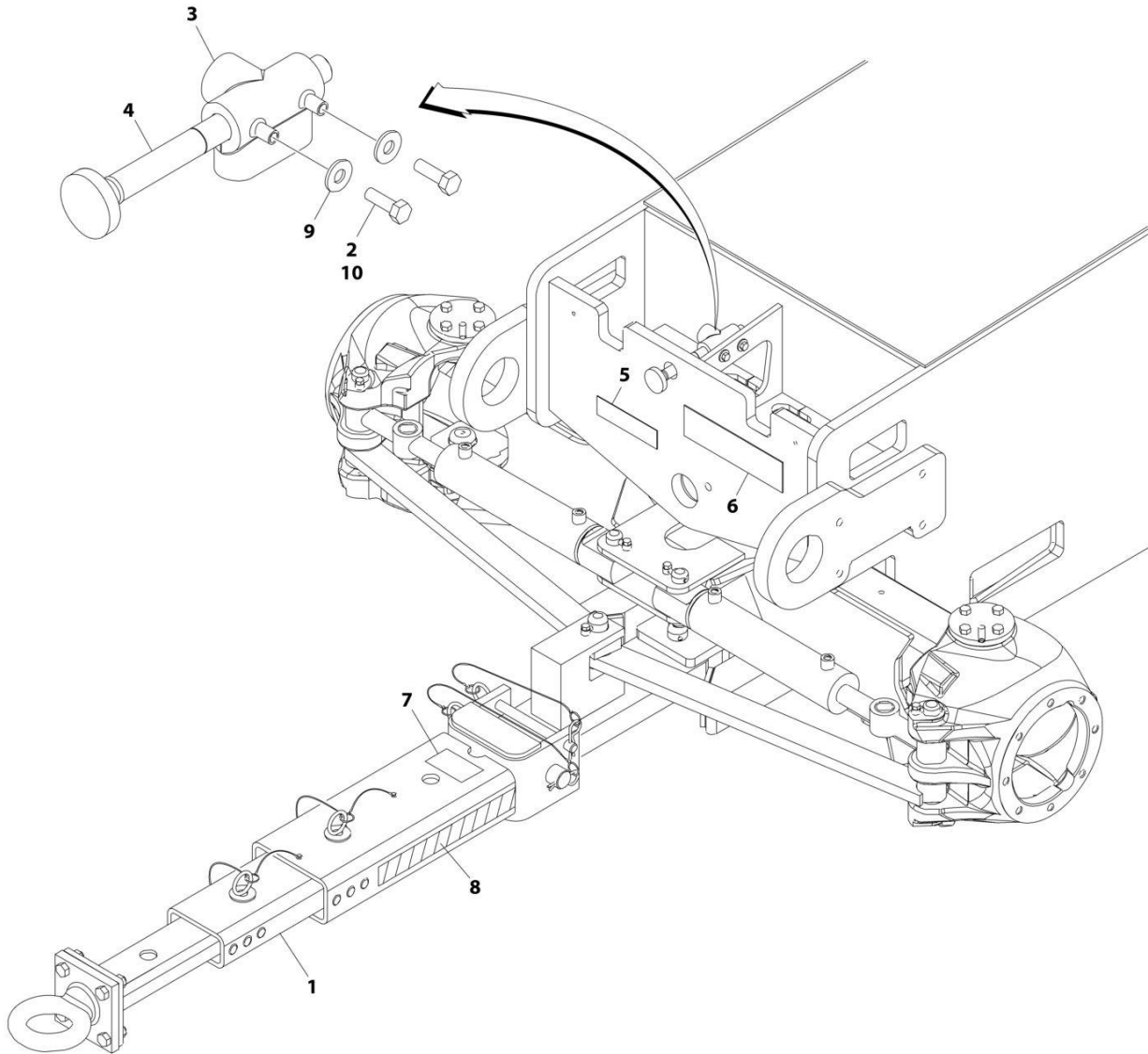
## SECTION 1 - FRAME

**FIGURE 1-12. TOW PACKAGE INSTALLATION (ENGLISH DECALS)**

| ITEM | PART NUMBER | QTY | DESCRIPTION   | REV |
|------|-------------|-----|---|-----|
|      | 1001158436  | Ref | TOW BAR INSTALLATION (ENGLISH DECALS)                     | B   |
| 1    | 0250528     | 1   | Tow Bar Assembly (See Separate Breakdown in this Section) |     |
| 2    | 0641508     | 2   | Bolt 5/16 x 1   |     |
| 4    | 4640261     | 1   | Valve, Select   |     |
| 5    | 4751500     | 4   | Washer 5/16   |     |
| 6    | 0100011     | AR  | Compound, Locking   |     |
| 7    | 1704578     | 2   | Decal - Crushing  |     |
| 8    | 1705090     | 1   | Decal - Towing Instructions                               |     |
| 9    | 3250872     | 1   | Decal/Nameplate - Steer/Tow Select Valve                  |     |
| 10   | 3820001     | 4   | Rivet   |     |
| 11   | 4420051     | AR  | Tape, Safety  |     |
| 12   | 1001160780  | 1   | Extension, Rod  |     |

# SECTION 1 - FRAME

FIGURE 1-13. TOW PACKAGE INSTALLATION (FRENCH/ENGLISH DECALS)



ART\_1001220283

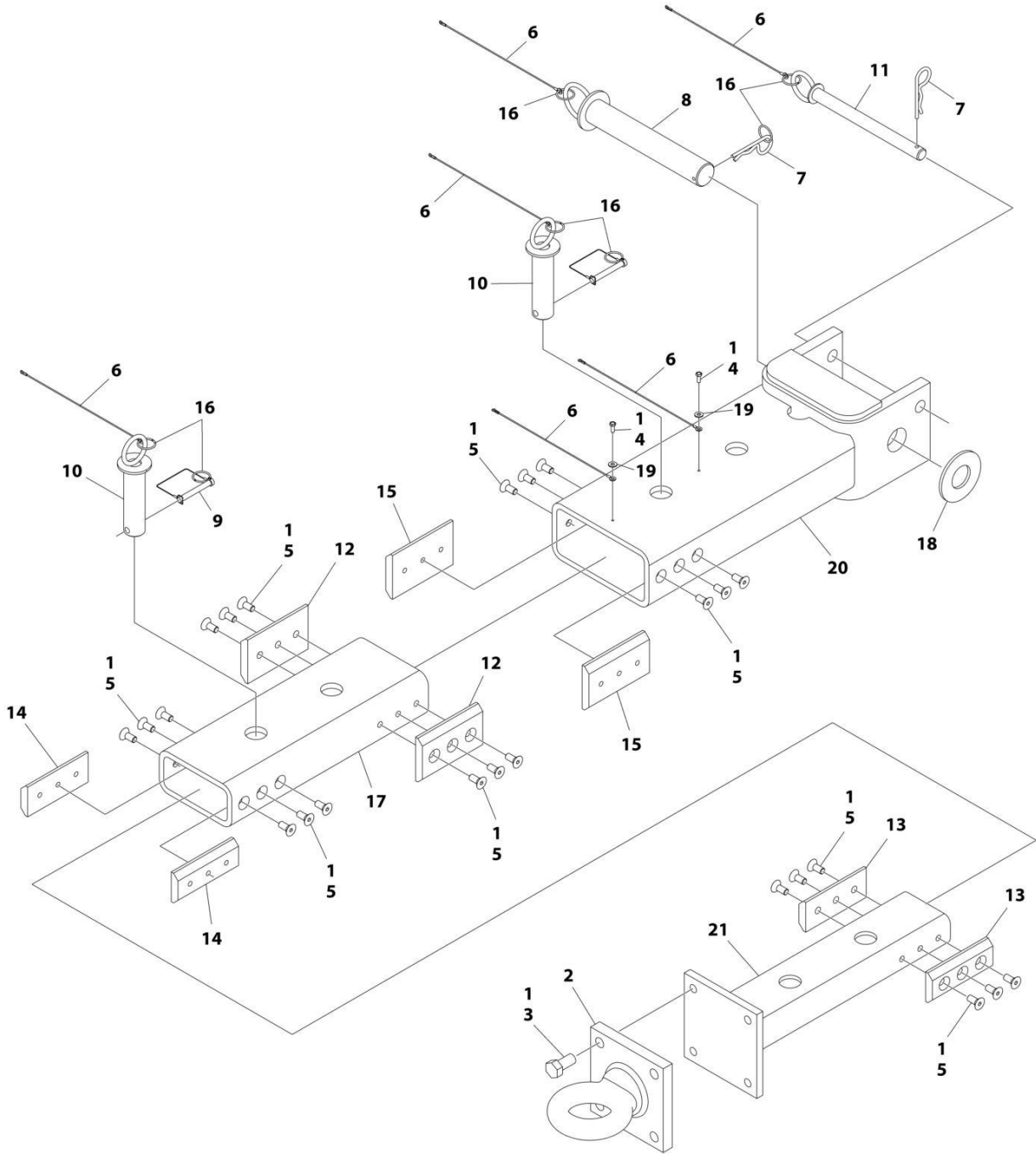
## SECTION 1 - FRAME

**FIGURE 1-13. TOW PACKAGE INSTALLATION (FRENCH/ENGLISH DECALS)**

| ITEM | PART NUMBER | QTY | DESCRIPTION   | REV |
|------|-------------|-----|---|-----|
|      | 1001220283  | Ref | TOW BAR INSTALLATION (FRENCH/ENGLISH DECALS)              | A   |
| 1    | 0250528     | 1   | Tow Bar Assembly (See Separate Breakdown in this Section) |     |
| 2    | 0641508     | 2   | Bolt 5/16 x 1   |     |
| 3    | 4640261     | 1   | Valve, Select   |     |
| 4    | 1001160780  | 1   | Extension, Rod  |     |
| 5    | 1704272     | 1   | Decal/Nameplate - Steer/Tow Select Valve                  |     |
| 6    | 1705820     | 1   | Decal - Towing Instructions                               |     |
| 7    | 1706593     | 2   | Decal - Crushing  |     |
| 8    | 4420051     | AR  | Tape, Safety  |     |
| 9    | 4751500     | 4   | Washer 5/16   |     |
| 10   | 0100011     | AR  | Compound, Locking   |     |

# SECTION 1 - FRAME

## FIGURE 1-14. TOW BAR ASSEMBLY



ART\_0270528

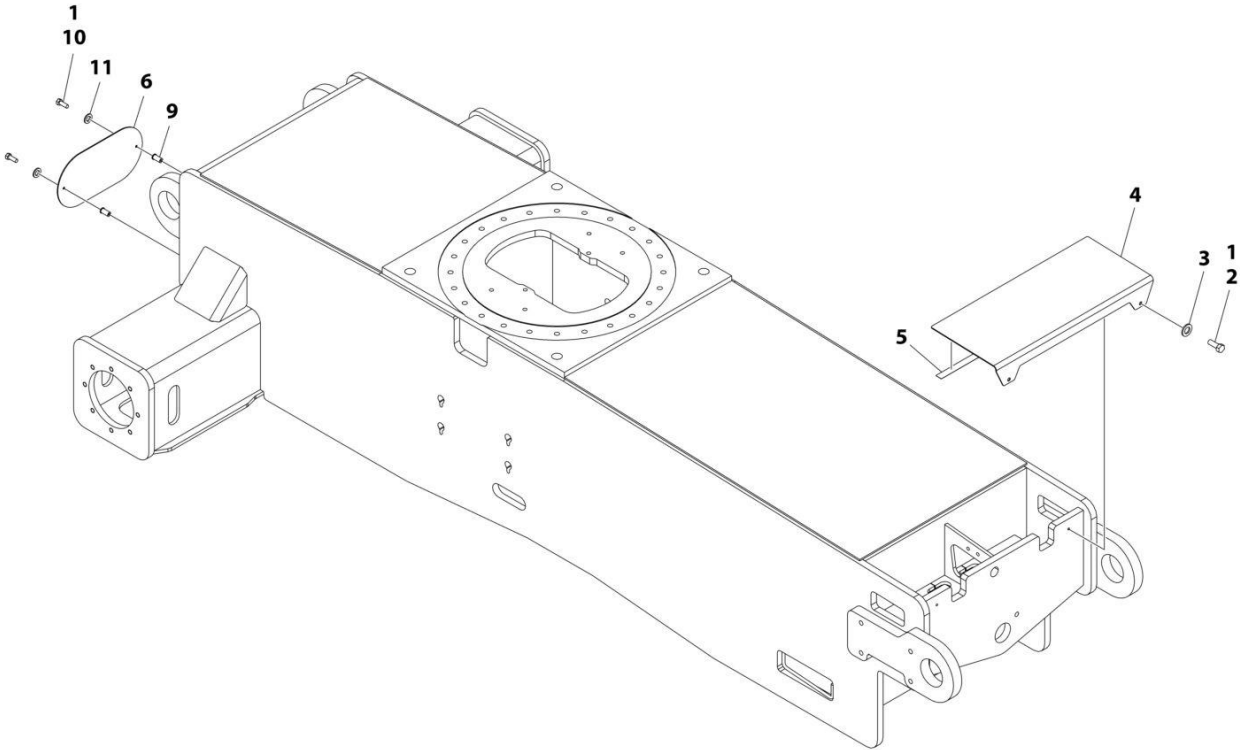
# SECTION 1 - FRAME

## FIGURE 1-14. TOW BAR ASSEMBLY

| ITEM | PART NUMBER | QTY | DESCRIPTION                  | REV |
|------|-------------|-----|------------------------------|-----|
|      | 0270528     | Ref | TOW BAR ASSEMBLY             | B   |
| 1    | 0100011     | AR  | Compound, Locking            |     |
| 2    | 0362910     | 1   | Pintle, Draw Eye             |     |
| 3    | 0642010     | 4   | Bolt 5/8 x 1-1/4             |     |
| 4    | 0721004     | 2   | Screw, Hex Machine           |     |
| 5    | 0741607     | 24  | Screw, Countersunk 3/8 x 7/8 |     |
| 6    | 1060584     | 6   | Cable, Lanyard               |     |
| 7    | 3420372     | 2   | Pin, Cotter                  |     |
| 8    | 3420447     | 1   | Pin, Towing                  |     |
| 9    | 3421565     | 2   | Pin, Snap                    |     |
| 10   | 3422841     | 2   | Pin                          |     |
| 11   | 3422847     | 1   | Pin                          |     |
| 12   | 3572009     | 2   | Plate, Slide Stop            |     |
| 13   | 3572010     | 2   | Plate, Slide Stop            |     |
| 14   | 3572011     | 2   | Plate, Slide Stop            |     |
| 15   | 3572012     | 2   | Plate, Slide Stop            |     |
| 16   | 3760170     | 8   | Ring, Split                  |     |
| 17   | 4568133     | 1   | Tube, Tow Bar                |     |
| 18   | 4740036     | 1   | Washer                       |     |
| 19   | 4751000     | 2   | Washer #10                   |     |
| 20   | 4846295     | 1   | Tow Bar Attach Weldment      |     |
| 21   | 4846296     | 1   | Pintle Attach Weldment       |     |

**SECTION 1 - FRAME**

**FIGURE 1-15. FRAME SHIELDS INSTALLATION**



ART\_1001158203



## SECTION 1 - FRAME

### FIGURE 1-15. FRAME SHIELDS INSTALLATION

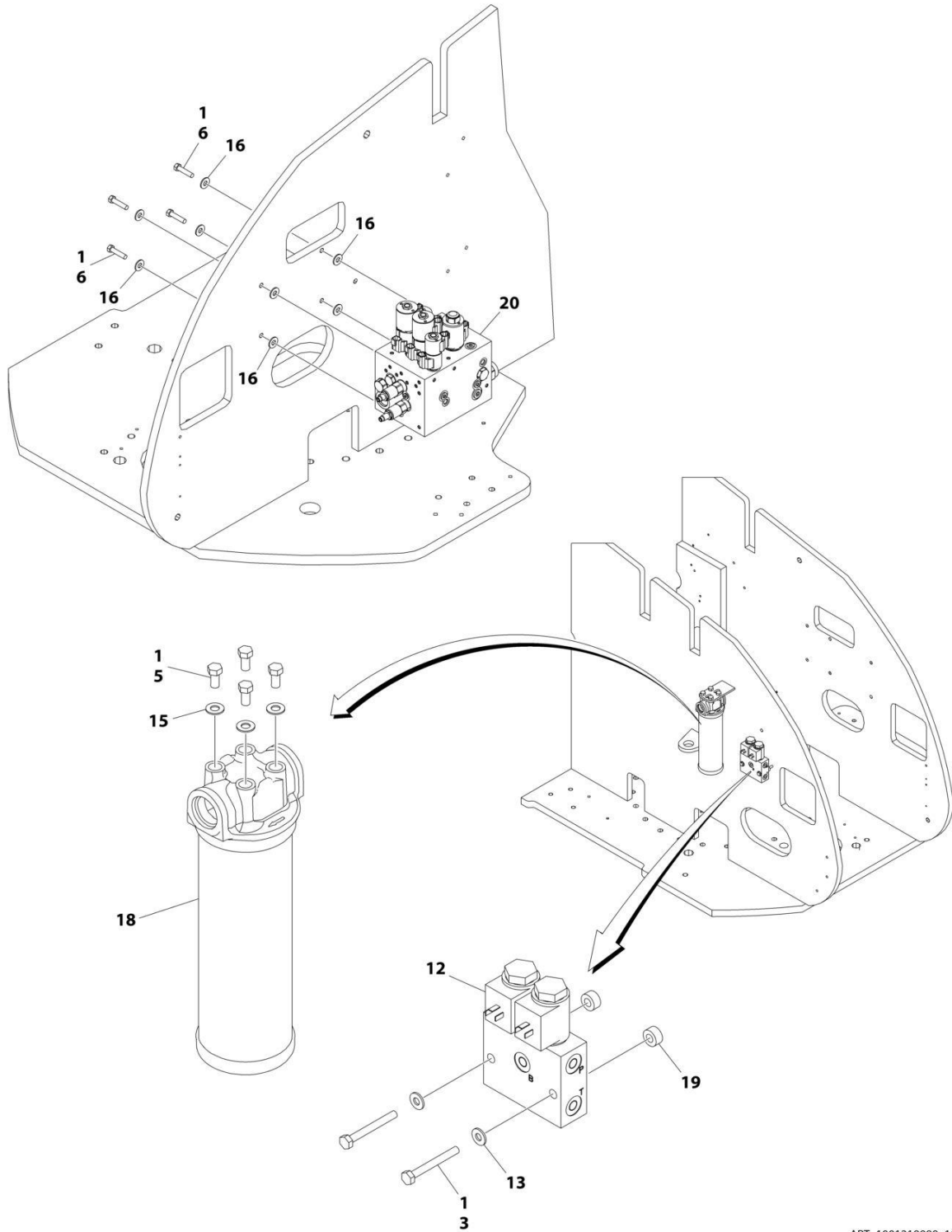
| ITEM | PART NUMBER | QTY            | DESCRIPTION                | REV |
|------|-------------|----------------|----------------------------|-----|
|      | 1001158203  | Ref            | FRAME SHIELDS INSTALLATION | D   |
| 1    | 0100011     | AR             | Compound, Locking          |     |
| 2    | 0641606     | 2              | Bolt 3/8 x 3/4             |     |
| 3    | 4751600     | 2              | Washer 3/8                 |     |
| 4    | 1001158187  | 1              | Cover                      |     |
| 5    | 4280296     | 27 in/<br>68cm | Trim                       |     |
| 6    | 1001158188  | 1              | Cover                      |     |
| 9    | 8580420     | 2              | Nut, Well                  |     |
| 10   | 0641410     | 2              | Bolt 1/4 x 1-1/4           |     |
| 11   | 4751400     | 2              | Washer 1/4                 |     |



**SECTION 2 - TURNTABLE**

# SECTION 2 - TURNTABLE

## FIGURE 2-1. CONTROL VALVES INSTALLATION - 860SJ HC3



ART\_1001219980\_10F2

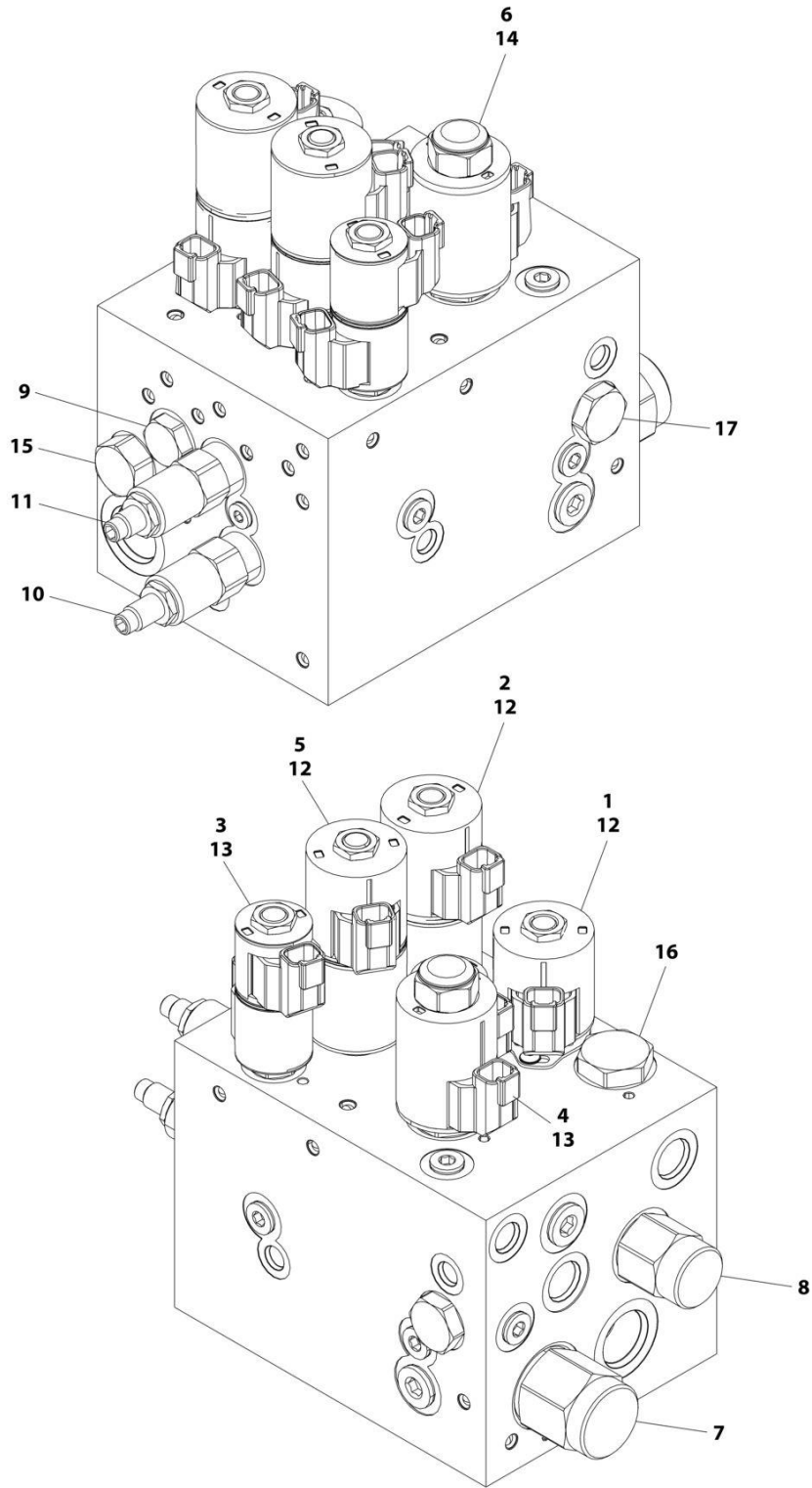
**SECTION 2 - TURNTABLE**

**FIGURE 2-1. CONTROL VALVES INSTALLATION - 860SJ HC3**

| ITEM | PART NUMBER | QTY | DESCRIPTION  | REV |
|------|-------------|-----|--|-----|
|      | 1001219980  | Ref | VALVES INSTALLATION  | B   |
| 1    | 0100011     | AR  | Compound, Locking  |     |
| 3    | 0641418     | 2   | Bolt 1/4 x 2-1/4   |     |
| 5    | 0641606     | 4   | Bolt 3/8 x 3/4   |     |
| 6    | 0641613     | 4   | Bolt 3/8 x 1-5/8   |     |
| 12   | 4641317     | 1   | Dual Select Valve Assembly   | C   |
| 12   | 7012944     | 2   | Coil   |     |
| 12   | 7012941     | 2   | Cartridge Less Coil  |     |
| 12   | 7010543     | 2   | Seal Kit - 7012941 Valve (1 Per Cartridge)                           |     |
| 13   | 4711400     | 2   | Washer 1/4   |     |
| 15   | 4711600     | 4   | Washer 3/8   |     |
| 16   | 4751600     | 8   | Washer 3/8   |     |
| 18   | 1001108617  | AR  | Hydraulic Filter Assembly  |     |
| 18   | 70002231    | 1   | Element, Filter  |     |
| 19   | 1001110425  | 1   | Spacer   |     |
| 20   | 1001235900  | 1   | Main Control Valve Assembly (See Separate Breakdown in this Section) |     |

# SECTION 2 - TURNTABLE

## FIGURE 2-2. MAIN CONTROL VALVE ASSEMBLY



ART\_1001235900

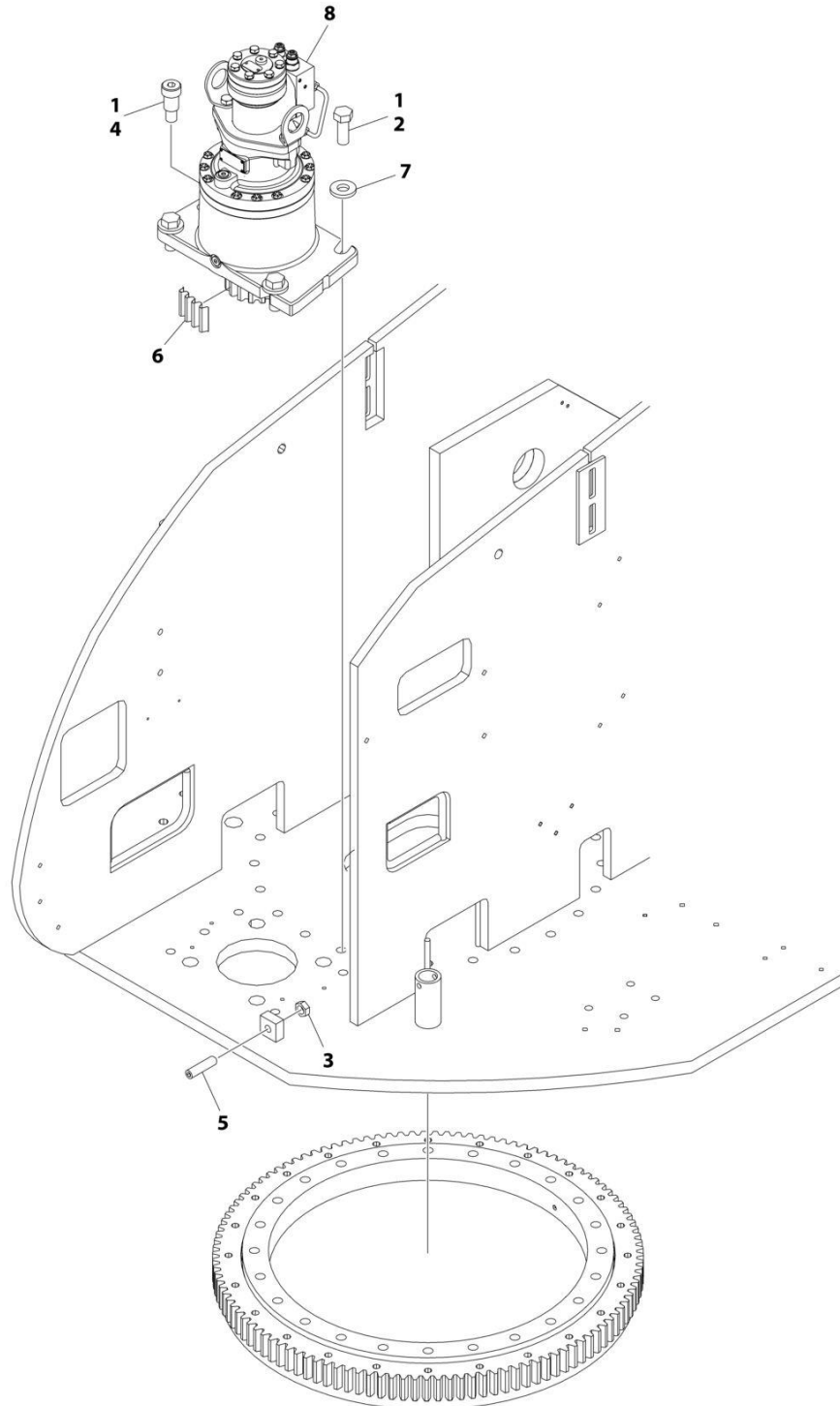
**SECTION 2 - TURNTABLE**

**FIGURE 2-2. MAIN CONTROL VALVE ASSEMBLY**

| ITEM | PART NUMBER | QTY | DESCRIPTION                           | REV |
|------|-------------|-----|---------------------------------------|-----|
|      | 1001235900  | Ref | MAIN CONTROL VALVE ASSEMBLY           | A   |
| 1    | 70004570    | 1   | Cartridge, Solenoid Valve (Main Dump) |     |
| 1    | 70004571    | 1   | Seal Kit - 70004570 Valve             |     |
| 1    | 70005725    | 1   | Lock Down Kit                         |     |
| 2    | 7023925     | 1   | Cartridge, Solenoid Valve (Steer)     |     |
| 2    | 7012903     | 1   | Seal Kit - 7023925 Valve              |     |
| 3    | 7017452     | 1   | Cartridge, Solenoid Valve (Tele)      |     |
| 3    | 7017402     | 1   | Seal Kit - 7017452 Valve              |     |
| 4    | 7021612     | 1   | Cartridge, Solenoid Valve (Lift)      |     |
| 4    | 7012907     | 1   | Seal Kit - 7021612 Valve              |     |
| 5    | 70003022    | 1   | Cartridge, Solenoid Valve (Swing)     |     |
| 5    | 7012903     | 1   | Seal Kit - 70003022 Valve             |     |
| 6    | 70004572    | 1   | Cartridge, Solenoid Valve (Tele)      |     |
| 6    | 70004573    | 1   | Seal Kit - 70004572 Valve             |     |
| 7    | 70004574    | 1   | Cartridge, Valve                      |     |
| 7    | 70004575    | 1   | Seal Kit - 70004574 Valve             |     |
| 8    | 70004576    | 1   | Cartridge, Valve                      |     |
| 8    | 70004577    | 1   | Seal Kit - 70004576 Valve             |     |
| 9    | 10837580    | 1   | Cartridge, Valve                      |     |
| 9    | 7010543     | 1   | Seal Kit - 10837580 Valve             |     |
| 10   | 7017422     | 1   | Cartridge, Valve                      |     |
| 10   | 7012998     | 1   | Seal Kit - 7017422 Valve              |     |
| 11   | 70004578    | 1   | Cartridge, Valve                      |     |
| 11   | 7021653     | 1   | Seal Kit - 70004578 Valve             |     |
| 12   | 70003788    | 5   | Coil                                  |     |
| 13   | 70002386    | 3   | Coil                                  |     |
| 14   | 70003789    | 1   | Coil                                  |     |
| 15   | 70004579    | 1   | Cartridge, Valve                      |     |
| 15   | 70004580    | 1   | Seal Kit - 70004579 Valve             |     |
| 16   | 70004581    | 1   | Cartridge, Valve                      |     |
| 16   | 70004571    | 1   | Seal Kit - 70004581 Valve             |     |
| 17   | 7023985     | 1   | Cartridge, Valve                      |     |
| 17   | 7017496     | 1   | Seal Kit - 7023985 Valve              |     |

# SECTION 2 - TURNTABLE

## FIGURE 2-3. SWING DRIVE INSTALLATION



ART\_1001094899



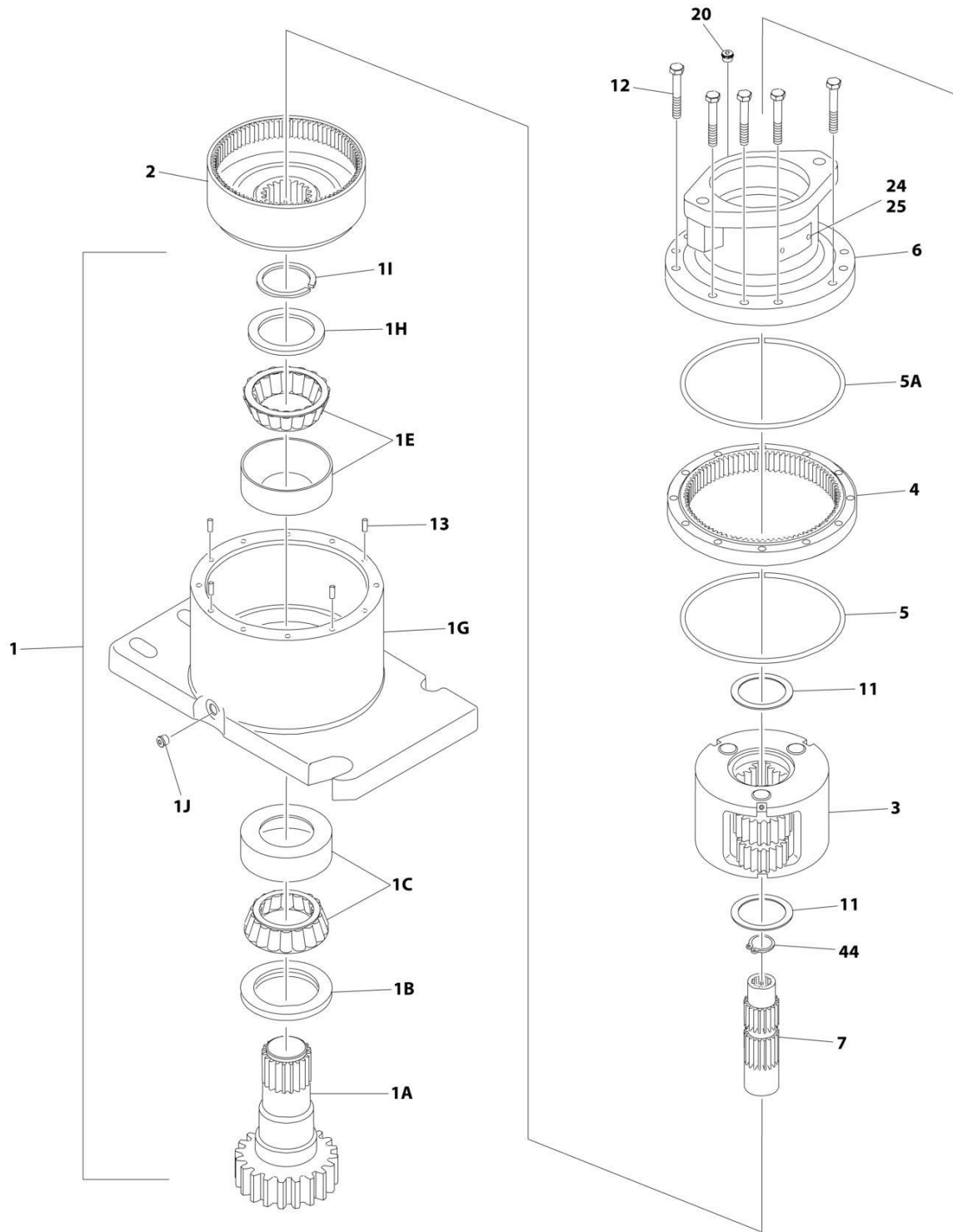
**SECTION 2 - TURNTABLE**

**FIGURE 2-3. SWING DRIVE INSTALLATION**

| <b>ITEM</b> | <b>PART NUMBER</b> | <b>QTY</b> | <b>DESCRIPTION</b>  | <b>REV</b> |
|-------------|--------------------|------------|---|------------|
|             | 1001094899         | Ref        | SWING DRIVE INSTALLATION  | E          |
| 1           | 0100019            | AR         | Compound, Locking   |            |
| 2           | 0682216            | 4          | Bolt 3/4 x 2 Grade 8  |            |
| 3           | 3312002            | 1          | Nut, Jam 3/4  |            |
| 4           | 3900293            | 1          | Bolt, Shoulder  |            |
| 5           | 3952020            | 2          | Setscrew 5/8 x 2-1/2  |            |
| 6           | 1001125492         | 1          | Shim  |            |
| 7           | 4740057            | 4          | Washer 3/4 Hardened   |            |
| 8           | 1001229810         | 1          | Swing Motor/Swing Hub Assembly (See Separate Breakdown in this Section) |            |

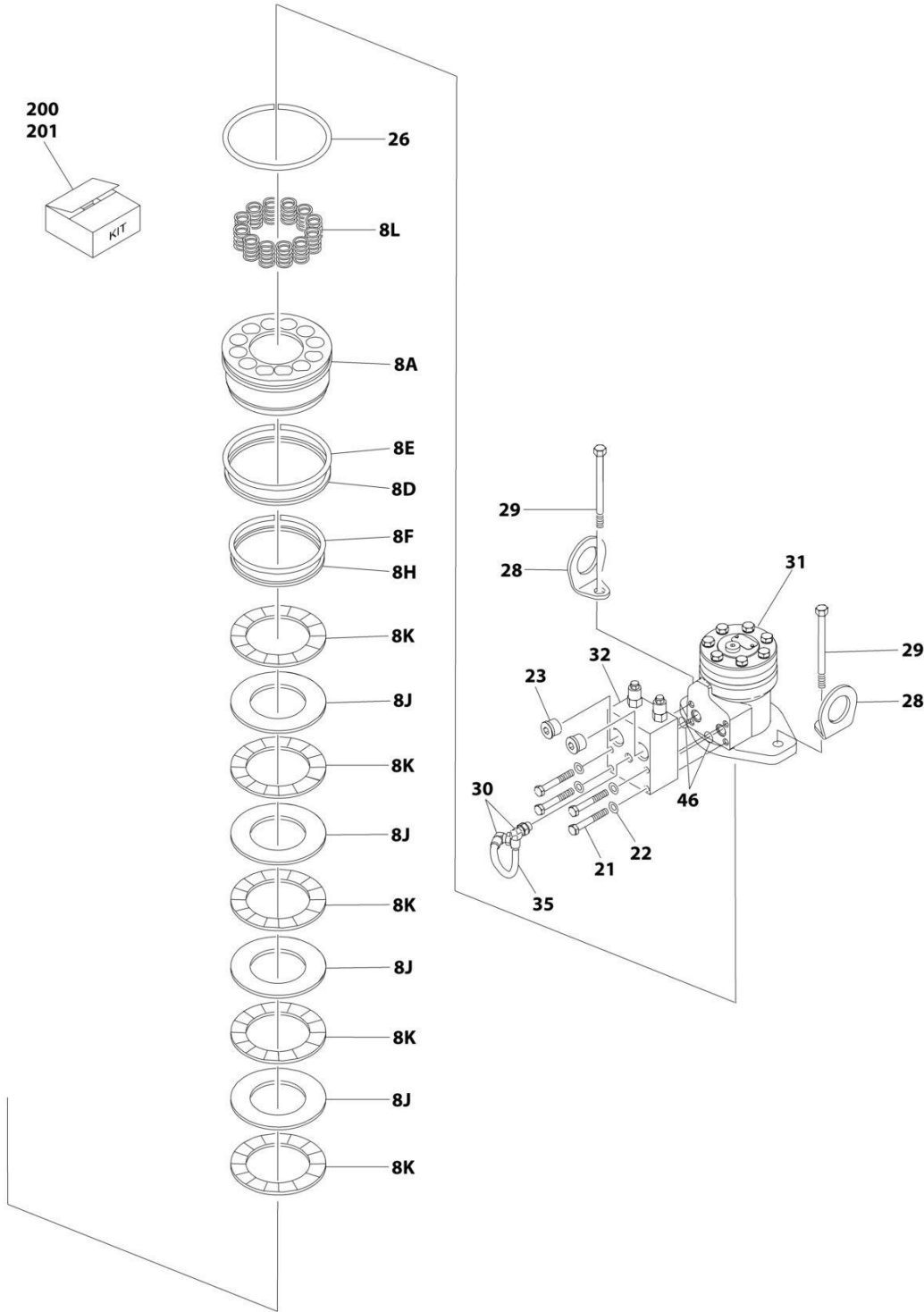
# SECTION 2 - TURNTABLE

## FIGURE 2-4. SWING MOTOR/HUB ASSEMBLY



ART\_1001229810\_10F2

SECTION 2 - TURNTABLE



ART\_1001229810\_20F2

## SECTION 2 - TURNTABLE

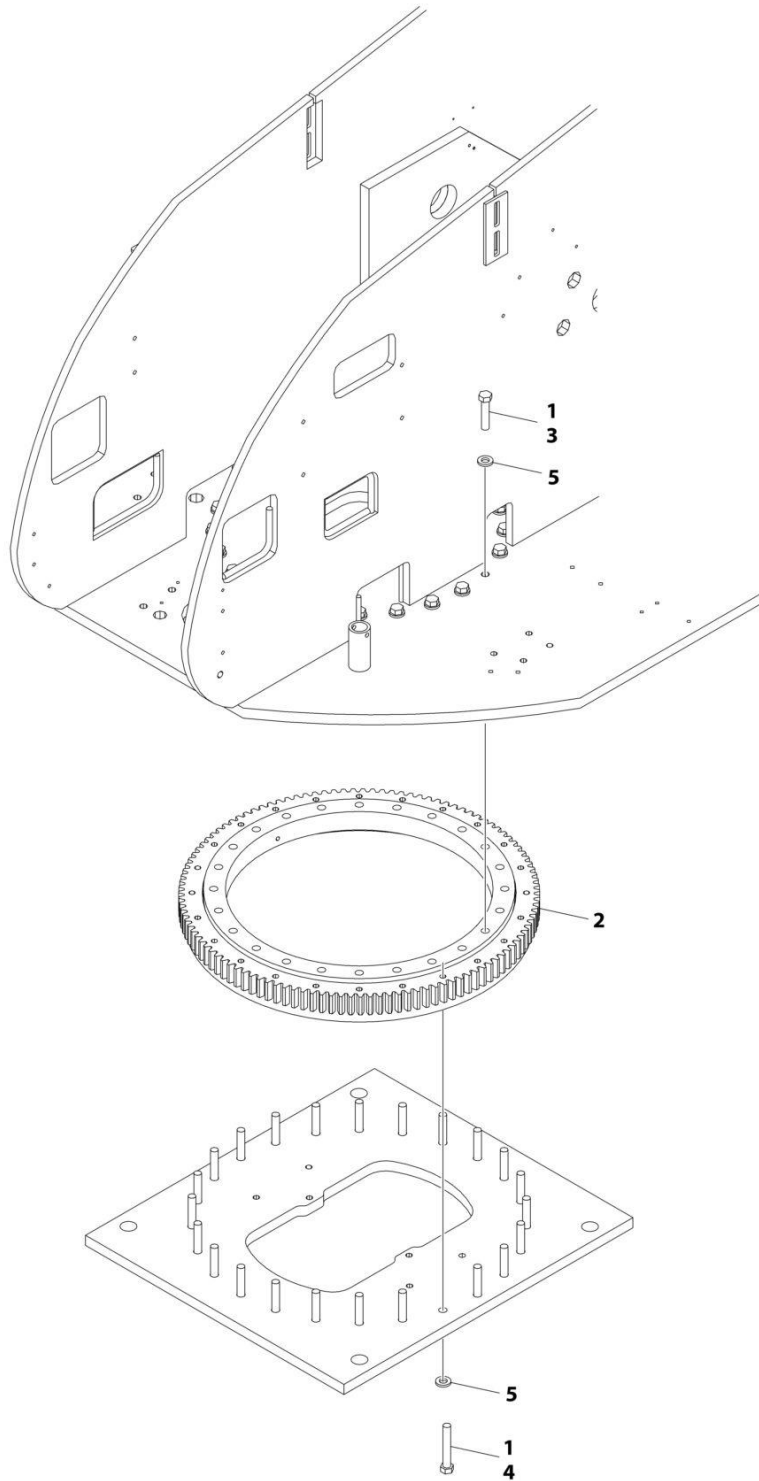
**FIGURE 2-4. SWING MOTOR/HUB ASSEMBLY**

| ITEM | PART NUMBER | QTY | DESCRIPTION   | REV |
|------|-------------|-----|---|-----|
|      | 1001229810  | Ref | SWING MOTOR/HUB ASSEMBLY  | C   |
| 1    | See Note    | 1   | Housing/Shaft Assembly (Note: Not Available - Purchase Individual Components) |     |
| 1A   | 7010492     | 1   | Shaft, Output   |     |
| 1B   | 7000228     | 1   | Seal, Lip   |     |
| 1C   | 7000255     | 1   | Bearing Kit (Includes Cup and Cone)   |     |
| 1E   | 7000257     | 1   | Bearing Kit (Includes Cup and Cone)   |     |
| 1G   | 7024762     | 1   | Housing   |     |
| 1H   | 7007633     | 1   | Washer, Thrust  |     |
| 1I   | 7000229     | 1   | Ring, Retaining   |     |
| 1J   | 7017072     | 1   | Plug, Pipe  |     |
| 2    | 7000246     | 1   | Gear, Internal  |     |
| 3    | 7000247     | 1   | Carrier Assembly  |     |
| 4    | 7000248     | 1   | Gear, Ring  |     |
| 5    | 7000230     | 1   | O-Ring  |     |
| 5A   | 7017070     | 1   | O-Ring  |     |
| 6    | 1001229810  | NSS | Housing, Brake (Note: Not Available - Purchase Complete Assembly)             |     |
| 7    | 70005203    | 1   | Gear, Sun   |     |
| 8A   | 70004037    | 1   | Piston  |     |
| 8D   | 70004041    | 1   | O-Ring  |     |
| 8E   | 70004044    | 1   | Ring, Back-up   |     |
| 8F   | 70004042    | 1   | O-Ring  |     |
| 8H   | 70004043    | 1   | Ring, Back-up   |     |
| 8J   | 70002085    | 4   | Disc, Rotor   |     |
| 8K   | 70002085    | 5   | Disc, Stator  |     |
| 8L   | 70002066    | 14  | Spring  |     |
| 11   | 7000253     | 2   | Washer, Thrust  |     |
| 12   | 7000217     | 12  | Bolt 3/8 x 2-1/4 Grade 8  |     |
| 13   | 7017080     | 4   | Pin, Dowel  |     |
| 20   | 7017072     | 1   | Plug, Pipe  |     |
| 21   | 7024704     | 4   | Bolt 5/16 x 2 Grade 8   |     |
| 22   | 70004045    | 4   | Washer  |     |
| 23   | 7017023     | 2   | Plug, Pipe  |     |
| 24   | See Note    | NSS | Plate, ID (Note: Not Available for Purchase)                                  |     |
| 25   | See Note    | NSS | Rivet (Note: Not Available for Purchase)                                      |     |
| 26   | 7024763     | 1   | O-Ring  |     |
| 28   | See Note    | NSS | Lug, Lifting (Note: Not Available for Purchase)                               |     |
| 29   | 70004040    | 2   | Bolt 1/2 x 1 (Grade 8)  |     |
| 30   | 7017085     | 2   | Elbow   |     |
| 31   | 70006304    | 1   | Motor Assembly  |     |
| 32   | 7024784     | 1   | Valve Assembly - Complete (No Serviceable Parts)                              |     |
| 35   | 70004047    | 1   | Tube  |     |
| 44   | 7017028     | 1   | Ring, Internal Retaining  |     |
| 45   | 7000213     | 2   | O-Ring  |     |
|      |             | Ref | KIT OPTIONS:  |     |
| 200  | 7024100     | 1   | Seal Kit - Swing Hub (Includes Items 1B, 1I, 5, 5A & 11)                      |     |
| 201  | 70002085    | 1   | Disc Kit - Swing Brake (Includes Items 8J & 8K)                               |     |



# SECTION 2 - TURNTABLE

## FIGURE 2-5. TURNTABLE BEARING INSTALLATION



ART\_0271002

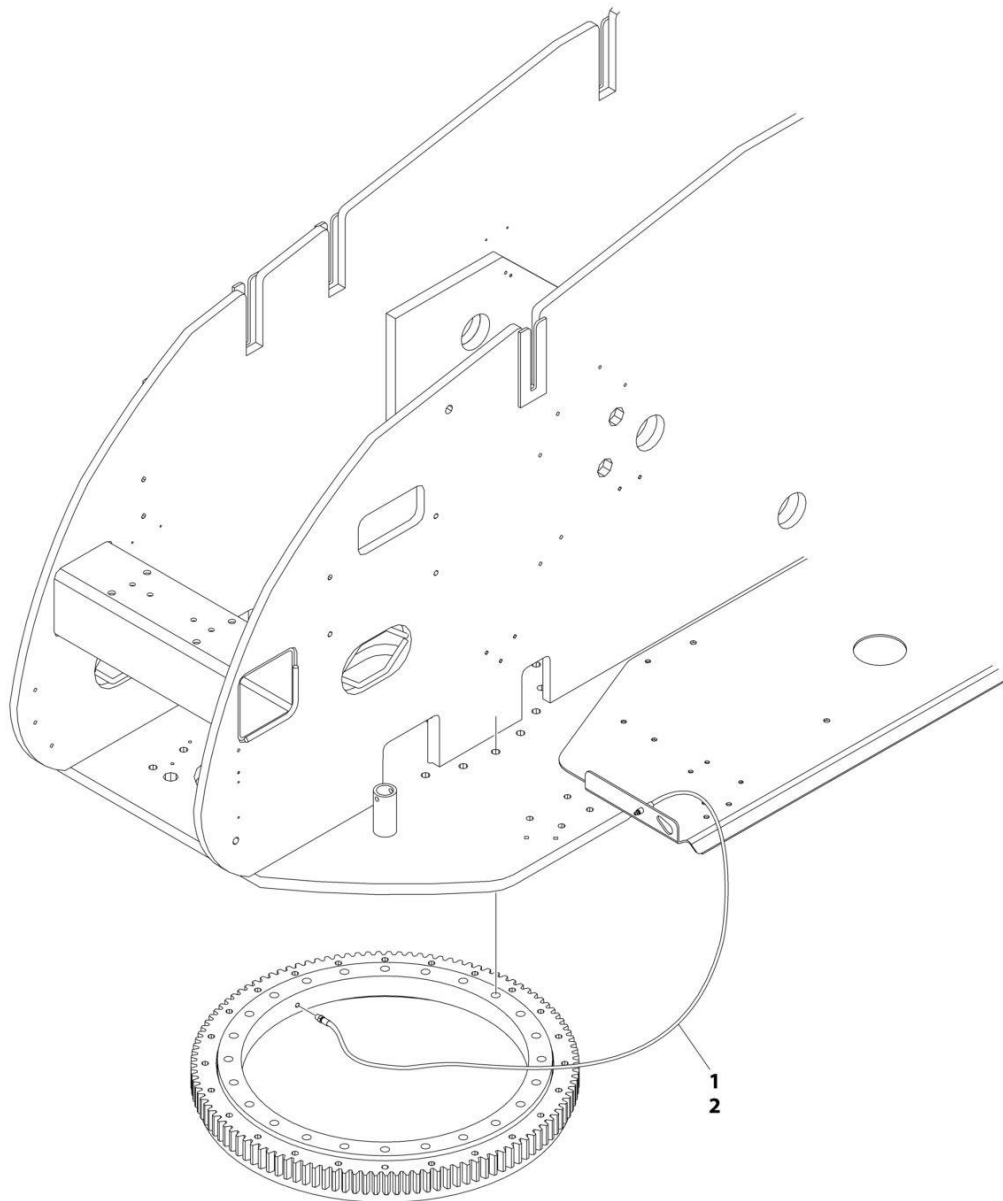
**SECTION 2 - TURNTABLE**

**FIGURE 2-5. TURNTABLE BEARING INSTALLATION**

| <b>ITEM</b> | <b>PART NUMBER</b> | <b>QTY</b> | <b>DESCRIPTION</b>             | <b>REV</b> |
|-------------|--------------------|------------|--------------------------------|------------|
|             | 0271002            | Ref        | TURNTABLE BEARING INSTALLATION | E          |
| 1           | 0100019            | AR         | Compound, Locking              |            |
| 2           | 0440244            | 1          | Bearing, Turntable             |            |
| 3           | 0682023            | 24         | Bolt 5/8 x 2-7/8 Grade 8       |            |
| 4           | 0682032            | 24         | Bolt 5/8 x 4 Grade 8           |            |
| 5           | 4892000            | 48         | Washer, 5/8 Hardened           |            |

## SECTION 2 - TURNTABLE

FIGURE 2-6. REMOTE BEARING LUBE INSTALLATION



ART\_1001161076



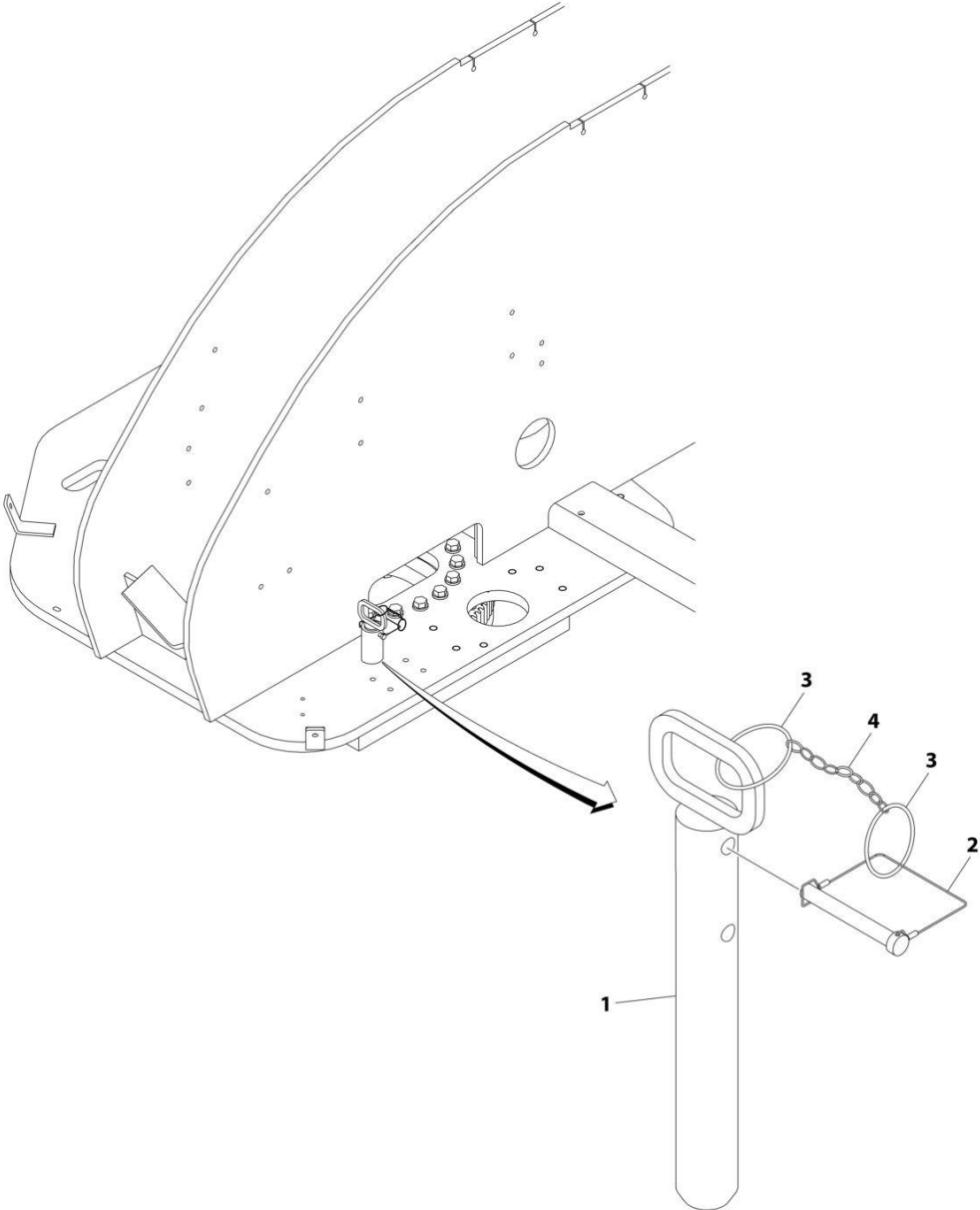
**SECTION 2 - TURNTABLE**

**FIGURE 2-6. REMOTE BEARING LUBE INSTALLATION**

| <b>ITEM</b> | <b>PART NUMBER</b> | <b>QTY</b> | <b>DESCRIPTION</b>               | <b>REV</b> |
|-------------|--------------------|------------|----------------------------------|------------|
|             | 1001161076         | Ref        | REMOTE BEARING LUBE INSTALLATION | A          |
| 1           | 0100011            | AR         | Compound, Locking                |            |
| 2           | 1001157058         | 1          | Hose and Fitting Assembly        |            |

**SECTION 2 - TURNTABLE**

**FIGURE 2-7. TURNTABLE LOCK INSTALLATION**



ART\_0259147

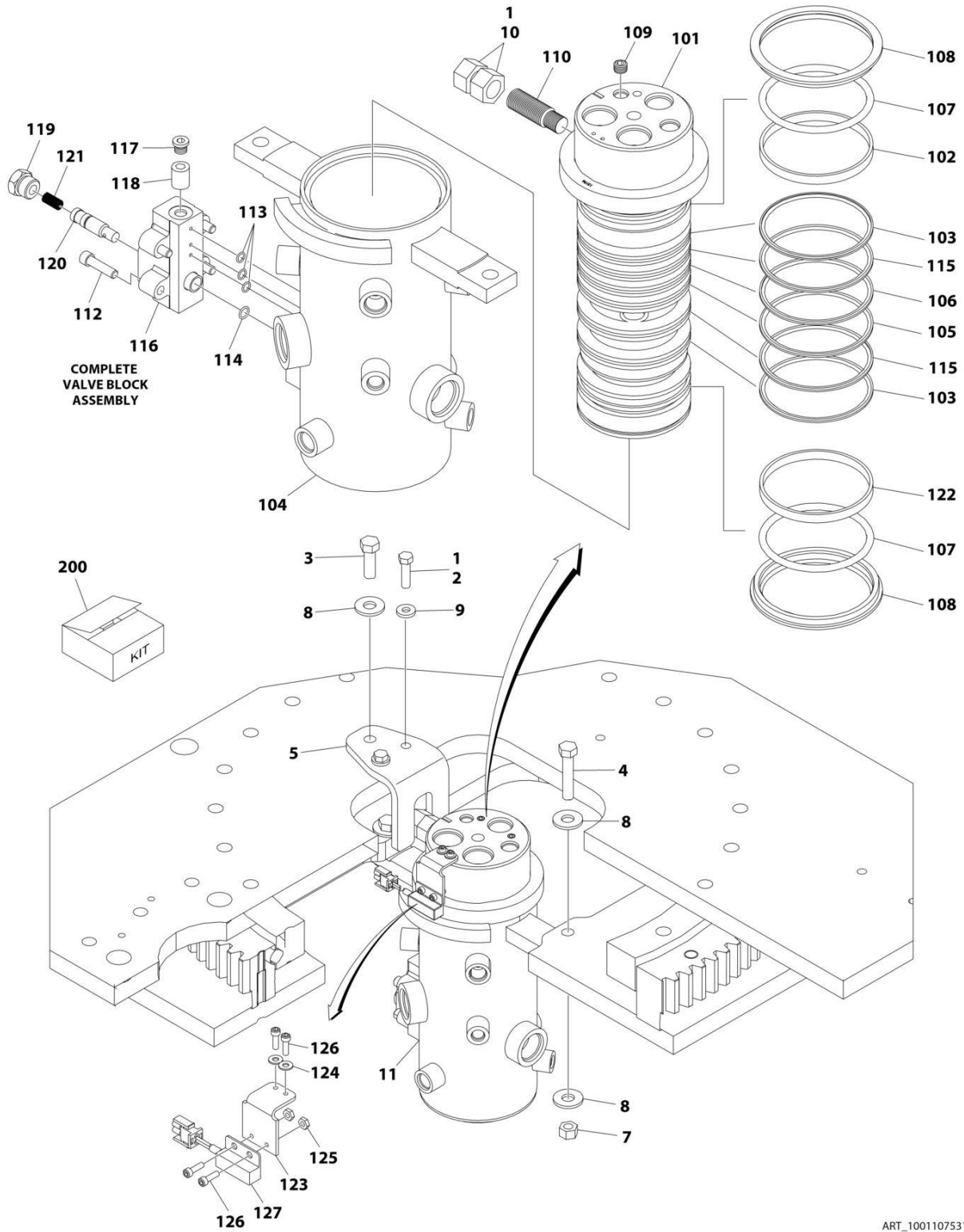
**SECTION 2 - TURNTABLE**

**FIGURE 2-7. TURNTABLE LOCK INSTALLATION**

| <b>ITEM</b> | <b>PART NUMBER</b> | <b>QTY</b> | <b>DESCRIPTION</b>          | <b>REV</b> |
|-------------|--------------------|------------|-----------------------------|------------|
|             | 0259147            | Ref        | TURNTABLE LOCK INSTALLATION | B          |
| 1           | 4844958            | 1          | Pin                         |            |
| 2           | 3421565            | 1          | Pin, Snap                   |            |
| 3           | 3760170            | 2          | Ring, Quick Release         |            |
| 4           | 1260017            | 9 in/ 23cm | Chain                       |            |

# SECTION 2 - TURNTABLE

## FIGURE 2-8. ROTARY COUPLING INSTALLATION



ART\_1001107531

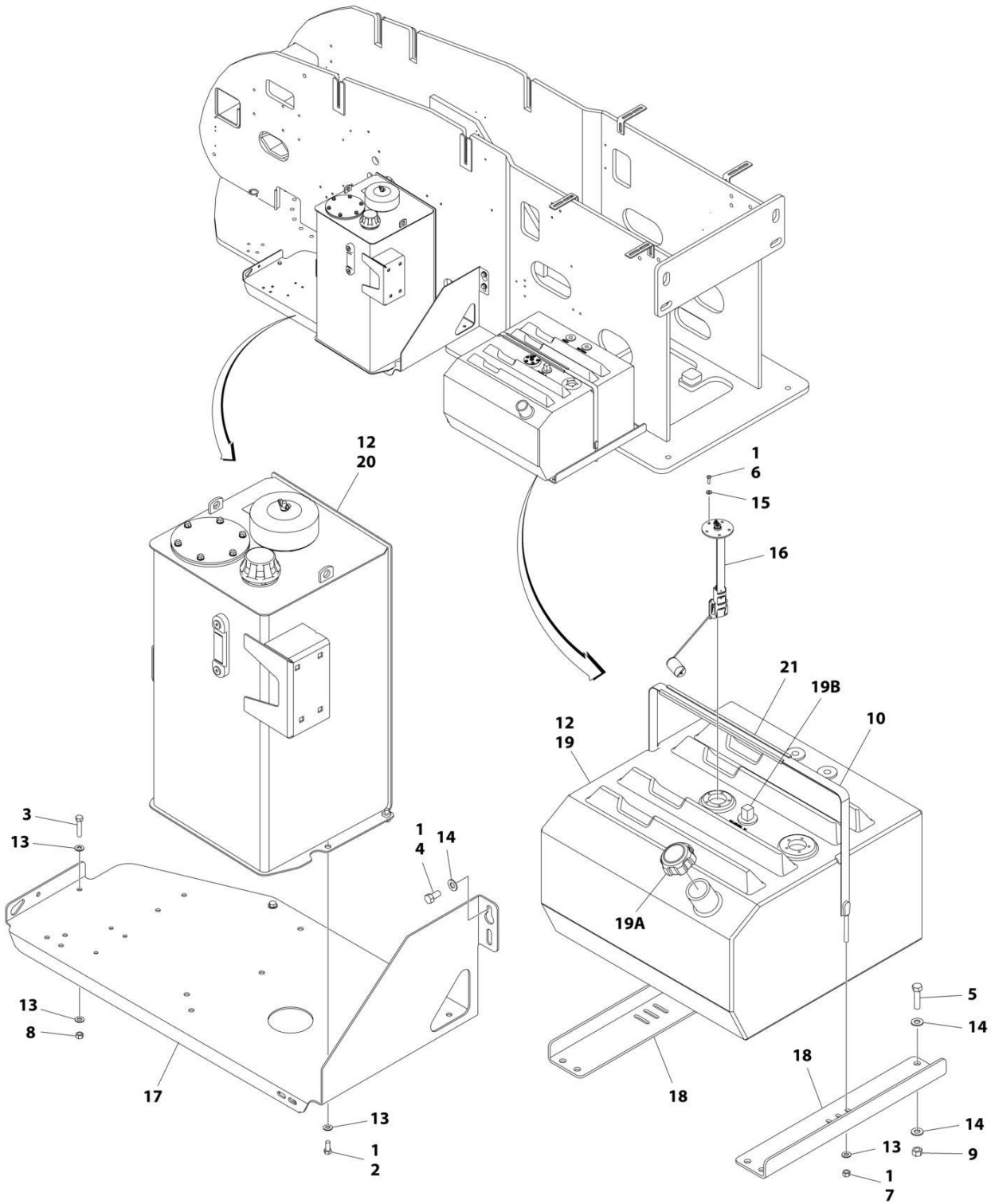
**SECTION 2 - TURNTABLE**

**FIGURE 2-8. ROTARY COUPLING INSTALLATION**

| ITEM | PART NUMBER | QTY | DESCRIPTION   | REV |
|------|-------------|-----|---|-----|
|      | 1001107531  | Ref | ROTARY COUPLING INSTALLATION  | A   |
| 1    | 0100011     | AR  | Compound, Locking   |     |
| 2    | 0641611     | 2   | Bolt 3/8 x 1-3/8  |     |
| 3    | 0641812     | 1   | Bolt 1/2 x 1-1/2  |     |
| 4    | 0641820     | 2   | Bolt 1/2 x 2-1/2  |     |
| 5    | 0903242     | 1   | Bracket   |     |
| 7    | 3271805     | 2   | Nut 1/2   |     |
| 8    | 4751800     | 5   | Washer 1/2 Regular  |     |
| 9    | 4891600     | 2   | Washer 3/8 Hardened   |     |
| 10   | 3322201     | 2   | Nut 3/4   |     |
| 11   | 1001106974  | 1   | Coupling, Rotary (See Items 101-128 for Breakdown)                  |     |
|      | 1001106974  | Ref | ROTARY COUPLING ASSEMBLY  | B   |
| 101  | 1001106974  | 1   | Body (Note: Not Available - Purchase Complete Assembly)             |     |
| 102  | 70001248    | 1   | Seal, Poly  |     |
| 103  | 70001248    | 2   | O-Ring/Seal   |     |
| 104  | See Note    | NSS | Housing (Note: Not Available - Purchase Complete Assembly)          |     |
| 105  | 70001248    | 6   | Seal, Cap   |     |
| 106  | 70001248    | 6   | O-Ring  |     |
| 107  | 7026503     | 2   | Ring, Thrust  |     |
| 108  | 7026504     | 2   | Ring, Retaining   |     |
| 109  | 80934561    | 2   | Plug  |     |
| 110  | See Note    | NSS | Lug, Torque (Note: Not Available for Purchase)                      |     |
| 112  | 7026197     | 4   | Capscrew  |     |
| 113  | 70001248    | 3   | O-Ring  |     |
| 114  | 70001248    | 1   | O-Ring  |     |
| 115  | 70001248    | 2   | Bearing   |     |
| 116  | 7024404     | 1   | Block Valve Assembly  |     |
| 117  | 7026505     | 1   | Plug  |     |
| 118  | 7026506     | 1   | Valve, Check  |     |
| 119  | 7026507     | 1   | Plug  |     |
| 120  | 7024404     | 1   | Plunger, Valve (Note: Not Available for Purchase)                   |     |
| 121  | 7026509     | 1   | Spring  |     |
| 122  | 70001248    | 1   | Seal, Oil   |     |
| 123  | 70003454    | 1   | Bracket, Switch Mounting  |     |
| 124  | 4711000     | 4   | Washer #10  |     |
| 125  | See Note    | NSS | Nut 1/4 (Note: Not Available for Purchase)                          |     |
| 126  | See Note    | NSS | Capscrew 1/4 (Note: Not Available for Purchase)                     |     |
| 127  | 4360517     | 1   | Switch, Proximity   |     |
| 128  | See Note    | AR  | Protective Netting (Not Shown) (Note: Not Available for Purchase)   |     |
| 200  | 70001248    | Ref | Seal Kit - (Includes Items 102, 103, 105, 106, 113, 114, 115 & 122) |     |

# SECTION 2 - TURNTABLE

## FIGURE 2-9. TANK INSTALLATION - GAS ENGINES



ART\_1001178210

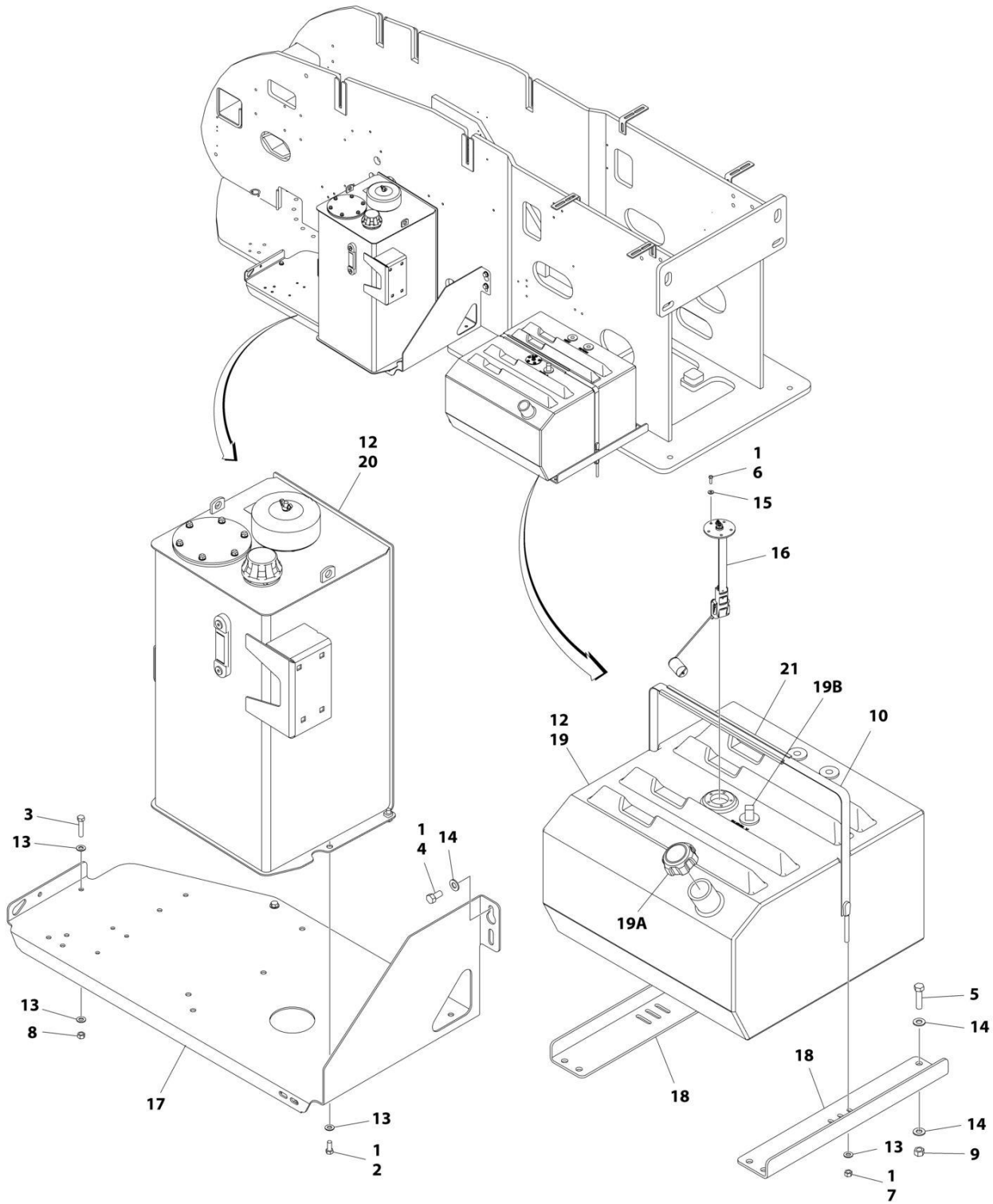
## SECTION 2 - TURNTABLE

### FIGURE 2-9. TANK INSTALLATION - GAS ENGINES

| ITEM | PART NUMBER | QTY         | DESCRIPTION  | REV |
|------|-------------|-------------|--|-----|
|      | 1001178210  | Ref         | TANKS INSTALLATION – GAS ENGINES                                 | C   |
| 1    | 0100011     | AR          | Compound, Locking  |     |
| 2    | 0641607     | 4           | Bolt 3/8 x 7/8   |     |
| 3    | 0641614     | 2           | Bolt 3/8 x 1-3/4   |     |
| 4    | 0641808     | 2           | Bolt 1/2 x 1   |     |
| 5    | 0641816     | 4           | Bolt 1/2 x 2   |     |
| 6    | 0731005     | 5           | Capscrew #10 x 5/8   |     |
| 7    | 3311601     | 2           | Nut 3/8  |     |
| 8    | 3311605     | 2           | Nut 3/8  |     |
| 9    | 3311805     | 4           | Nut 1/2  |     |
| 10   | 4240139     | 1           | Strap, Tank Mounting   |     |
| 12   | 4420038     | 6 ft/ 1.7m  | Tape, Rubber   |     |
| 13   | 4711600     | 10          | Washer 3/8   |     |
| 14   | 4711800     | 10          | Washer 1/2   |     |
| 15   | 4751000     | 5           | Washer #10   |     |
| 16   | 1001148607  | 1           | Gauge, Fuel Level  |     |
| 17   | 1001156805  | 1           | Tray, Tank   |     |
| 18   | 1001157056  | 2           | Mount  |     |
| 19   | 1001160559  | 1           | Fuel Tank Assembly   |     |
| 19A  | 1001211336  | 1           | Cap  |     |
| 19B  | 7020043     | 1           | Tube, Pickup   |     |
| 20   | 1001178057  | 1           | Hydraulic Tank Assembly (See Separate Breakdown in this Section) |     |
| 21   | 4060804     | 9 in/ 23 cm | Flex-Trim  |     |

# SECTION 2 - TURNTABLE

## FIGURE 2-10. TANK INSTALLATION - DIESEL ENGINES



ART\_1001178209



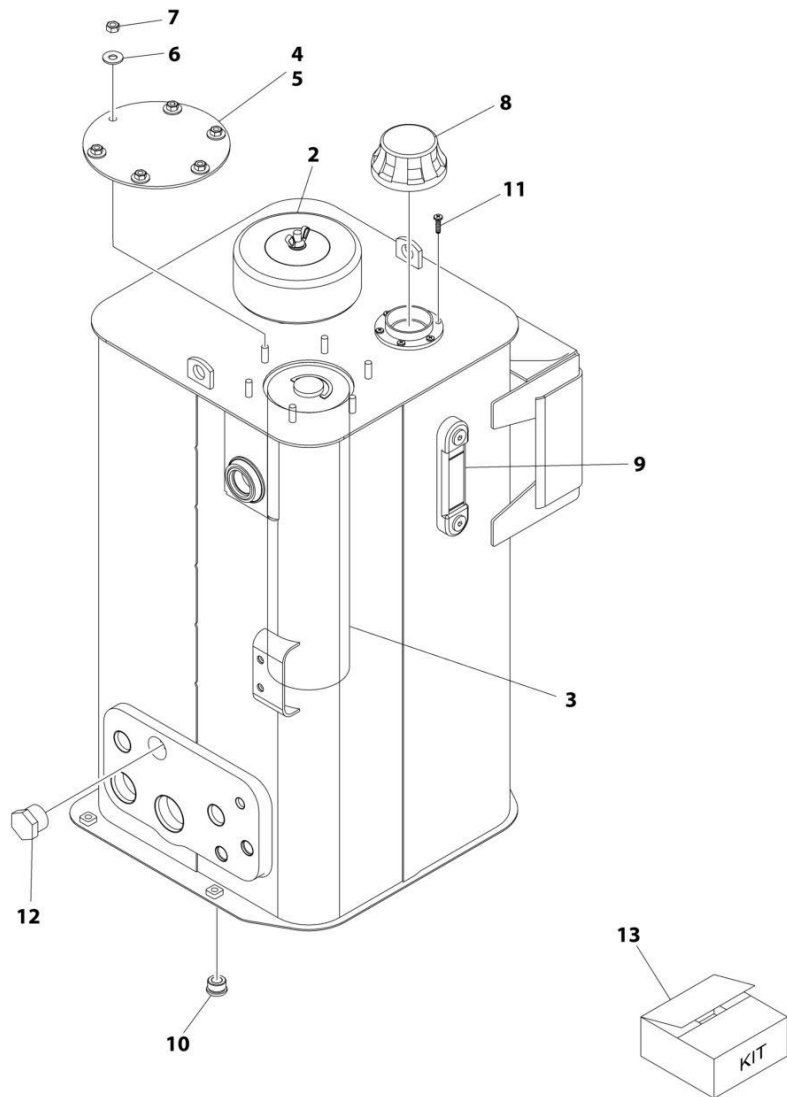
**SECTION 2 - TURNTABLE**

**FIGURE 2-10. TANK INSTALLATION - DIESEL ENGINES**

| ITEM | PART NUMBER | QTY        | DESCRIPTION  | REV |
|------|-------------|------------|--|-----|
|      | 1001178209  | Ref        | TANKS INSTALLATION – DIESEL ENGINES                              | C   |
| 1    | 0100011     | AR         | Compound, Locking  |     |
| 2    | 0641607     | 4          | Bolt 3/8 x 7/8   |     |
| 3    | 0641614     | 2          | Bolt 3/8 x 1-3/4   |     |
| 4    | 0641808     | 2          | Bolt 1/2 x 1   |     |
| 5    | 0641816     | 4          | Bolt 1/2 x 2   |     |
| 6    | 0731005     | 5          | Capscrew #10 x 5/8   |     |
| 7    | 3311601     | 2          | Nut 3/8  |     |
| 8    | 3311605     | 2          | Nut 3/8  |     |
| 9    | 3311805     | 4          | Nut 1/2  |     |
| 10   | 4240139     | 1          | Strap, Tank Mounting   |     |
| 12   | 4420038     | 6 ft/1.7 m | Tape, Rubber   |     |
| 13   | 4711600     | 10         | Washer 3/8   |     |
| 14   | 4711800     | 10         | Washer 1/2   |     |
| 15   | 4751000     | 5          | Washer #10   |     |
| 16   | 1001148607  | 1          | Gauge, Fuel Level  |     |
| 17   | 1001156805  | 1          | Tray, Tank   |     |
| 18   | 1001157056  | 2          | Mount  |     |
| 19   | 1001160567  | 1          | Fuel Tank Assembly   |     |
| 19A  | 70004414    | 1          | Cap  |     |
| 19B  | 7020043     | 1          | Tube, Pickup   |     |
| 20   | 1001178057  | 1          | Hydraulic Tank Assembly (See Separate Breakdown in this Section) |     |
| 21   | 4060804     | 9 in/23 cm | Flex-Trim  |     |

# SECTION 2 - TURNTABLE

## FIGURE 2-11. HYDRAULIC TANK ASSEMBLY



ART\_1001178057

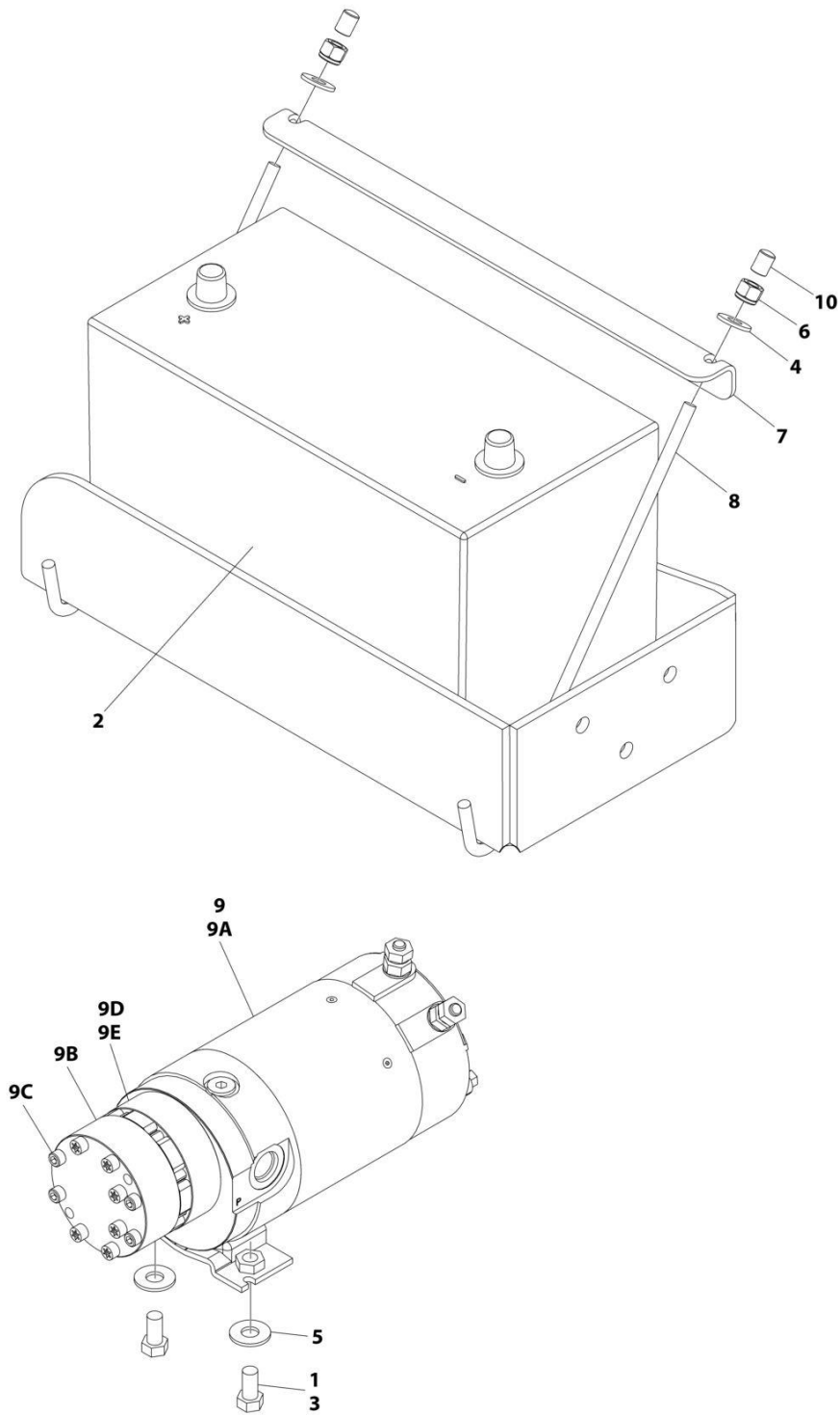
**SECTION 2 - TURNTABLE**

**FIGURE 2-11. HYDRAULIC TANK ASSEMBLY**

| ITEM | PART NUMBER | QTY | DESCRIPTION  | REV |
|------|-------------|-----|--|-----|
|      | 1001178057  | Ref | HYDRAULIC TANK ASSEMBLY                                    | D   |
| 2    | 70005708    | 1   | Breather Assembly (Includes Breather, Element and Wingnut) |     |
| 2    | See Note    | NSS | Element, Breather (Note: Use p/n 70005708 or Item 13)      |     |
| 3    | See Note    | NSS | Element, Hydraulic (Note: Use Item 13)                     |     |
| 4    | 70002839    | 1   | Gasket   |     |
| 5    | See Note    | NSS | Cover (Note: Not Available for Purchase)                   |     |
| 6    | 83304173    | 6   | Washer 5/16  |     |
| 7    | 70004199    | 6   | Nut 5/16   |     |
| 8    | 70002838    | 1   | Cap, Fill  |     |
| 9    | 7024441     | 1   | Gauge, Level   |     |
| 10   | 70002112    | 1   | Plug   |     |
| 11   | 70004795    | 6   | Screw #10 x 3/4  |     |
| 12   | See Note    | NSS | Plug (Note: Not Available - Purchase Locally)              |     |
| 13   | 70002814    | 1   | Hydraulic Tank Service Kit (Includes Items 2-4)            |     |

## SECTION 2 - TURNTABLE

FIGURE 2-12. AUXILIARY PUMP WITH BATTERY WITHOUT BATTERY DISCONNECT SWITCH INSTALLATION



ART\_1001239472

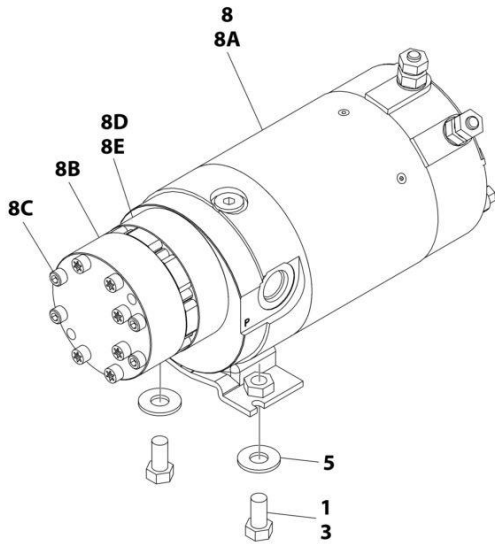
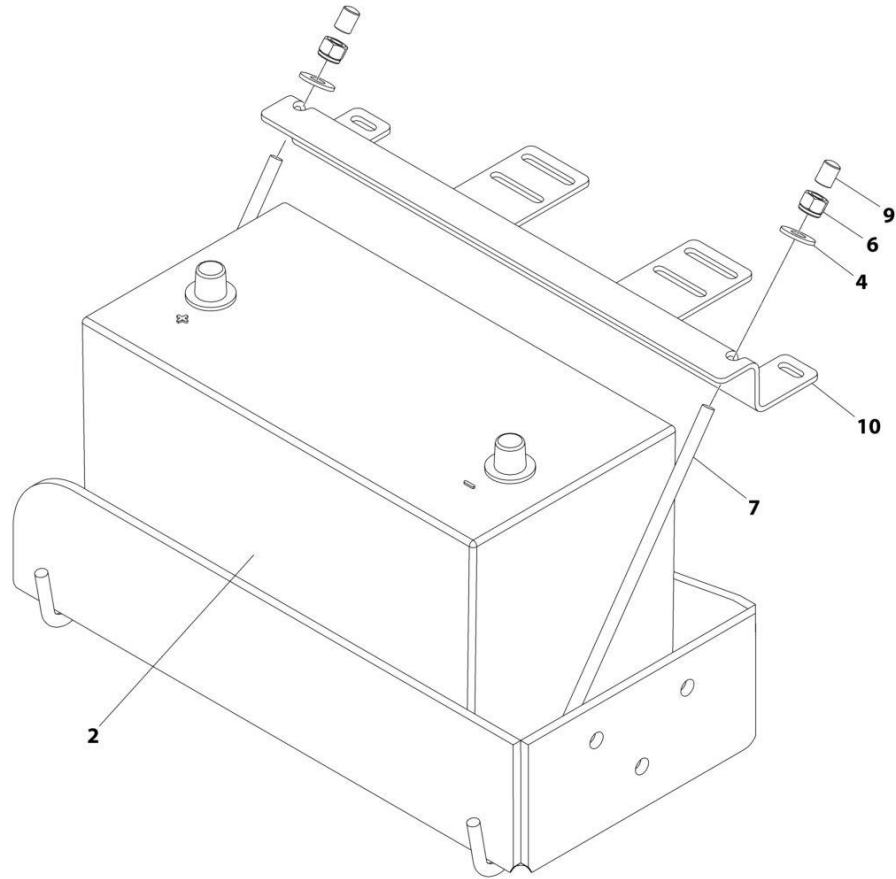
**SECTION 2 - TURNTABLE**

**FIGURE 2-12. AUXILIARY PUMP WITH BATTERY WITHOUT BATTERY DISCONNECT SWITCH INSTALLATION**

| ITEM | PART NUMBER | QTY | DESCRIPTION  | REV |
|------|-------------|-----|--|-----|
|      | 1001239472  | Ref | AUXILIARY PUMP WITH BATTERY WITHOUT BATTERY DISCONNECT SWITCH INSTALLATION | A   |
| 1    | 0100011     | AR  | Compound, Locking  |     |
| 2    | 0400075     | 1   | Battery  |     |
| 3    | 0641606     | 2   | Bolt 3/8 x 3/4   |     |
| 4    | 4751500     | 2   | Washer 5/16  |     |
| 5    | 4751600     | 2   | Washer 3/8   |     |
| 6    | 88521205    | 2   | Nut 5/16   |     |
| 7    | 91401281    | 1   | Hold-down, Battery   |     |
| 8    | 1001093382  | 2   | Bolt, Battery Hold-down  |     |
| 9    | 1001137459  | 1   | Auxiliary Pump Assembly  |     |
| 9A   | 70003998    | 1   | Motor  |     |
| 9B   | 70004266    | 1   | Pump   |     |
| 9C   | 70001020    | 4   | Screw  |     |
| 9D   | 70003612    | 2   | O-Ring   |     |
| 9E   | 70004267    | 1   | O-Ring   |     |
| 10   | 1001218572  | 2   | Cap, Vinyl   |     |

## SECTION 2 - TURNTABLE

FIGURE 2-13. AUXILIARY PUMP WITH BATTERY WITH BATTERY DISCONNECT SWITCH INSTALLATION



ART\_1001239471

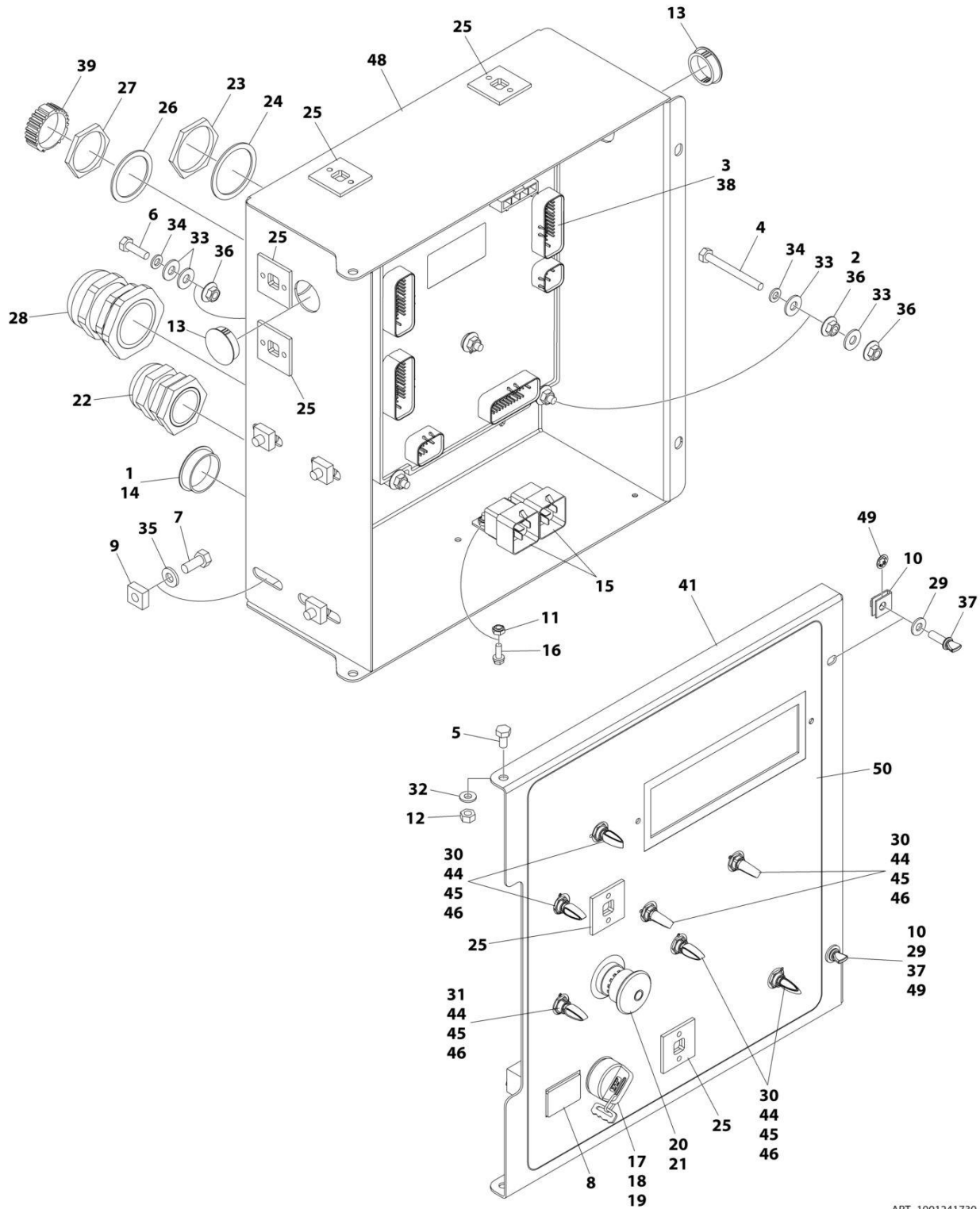
**SECTION 2 - TURNTABLE**

**FIGURE 2-13. AUXILIARY PUMP WITH BATTERY WITH BATTERY DISCONNECT SWITCH INSTALLATION**

| ITEM | PART NUMBER | QTY | DESCRIPTION   | REV |
|------|-------------|-----|---|-----|
|      | 1001239471  | Ref | AUXILIARY PUMP WITH BATTERY WITH BATTERY DISCONNECT SWITCH INSTALLATION | A   |
| 1    | 0100011     | AR  | Compound, Locking   |     |
| 2    | 0400075     | 1   | Battery   |     |
| 3    | 0641606     | 2   | Bolt 3/8 x 3/4  |     |
| 4    | 4751500     | 2   | Washer 5/16   |     |
| 5    | 4751600     | 2   | Washer 3/8  |     |
| 6    | 88521205    | 2   | Nut 5/16  |     |
| 7    | 1001093382  | 2   | Bolt, Battery Hold-down   |     |
| 8    | 1001137459  | 1   | Auxiliary Pump Assembly   |     |
| 8A   | 70003998    | 1   | Motor   |     |
| 8B   | 70004266    | 1   | Pump  |     |
| 8C   | 70001020    | 4   | Screw   |     |
| 8D   | 70003612    | 2   | O-Ring  |     |
| 8E   | 70004267    | 1   | O-Ring  |     |
| 9    | 1001218572  | 2   | Cap, Vinyl  |     |
| 10   | 1001236303  | 1   | Hold-down, Battery  |     |

# SECTION 2 - TURNTABLE

FIGURE 2-14. GROUND CONTROL BOX ASSEMBLY - 860SJ HC3 WITH DEUTZ D2011 (ANSI EXPORT (LRC) AND AUSTRALIAN SPECS)



ART\_1001241730



## SECTION 2 - TURNTABLE

**FIGURE 2-14. GROUND CONTROL BOX ASSEMBLY - 860SJ HC3 WITH DEUTZ D2011 (ANSI EXPORT (LRC) AND AUSTRALIAN SPECS)**

| ITEM | PART NUMBER | QTY | DESCRIPTION  | REV |
|------|-------------|-----|--|-----|
|      | 1001241730  | Ref | GROUND CONTROL BOX ASSEMBLY  | A   |
| 1    | 0100009     | AR  | Sealant  |     |
| 2    | 0100011     | AR  | Compound, Locking  |     |
| 3    | 0100048     | AR  | Grease, Dielectric   |     |
| 4    | 0630548     | 5   | Bolt, 2-1/2 Tap  |     |
| 5    | 0641404     | 2   | Bolt 1/4 x 1/2   |     |
| 6    | 0641407     | 1   | Bolt 1/4 x 7/8   |     |
| 7    | 0641506     | 4   | Bolt 5/16 x 3/4  |     |
| 8    | 2420172     | 1   | Gauge, Hourmeter   |     |
| 9    | 3300205     | 4   | Nut, Retainer  |     |
| 10   | 3300353     | 2   | Nut, Tinnerman   |     |
| 11   | 3300408     | 2   | Nut, Plastic Insert  |     |
| 12   | 3311405     | 2   | Nut 1/4  |     |
| 13   | 3520031     | 2   | Plug   |     |
| 14   | 3520035     | 1   | Plug, Cap  |     |
| 15   | 3740049     | 2   | Relay  |     |
| 16   | 3900268     | 2   | Screw #10 x 1/2  |     |
| 17   | 3910804     | 6   | Screw #8 x 1/4   |     |
| 18   | 4070991     | 1   | Shim   |     |
| 19   | 4360469     | 1   | Switch, Key  |     |
| 19   | 2860030     | 1   | Key Replacement  |     |
| 20   | 4360475     | 1   | Switch, Emergency Stop   |     |
| 20   | 7020175     | 1   | Cap, Mushroom  |     |
| 20   | 7020176     | 1   | Block, Contact   |     |
| 21   | 4360476     | 1   | Switch, Contact Block  |     |
| 22   | 4460426     | 1   | Connector, Strain Relief   |     |
| 23   | 4460470     | 1   | Nut, Terminal  |     |
| 24   | 4460471     | 1   | Washer, Terminal   |     |
| 25   | 4460488     | 6   | Mounting Base, Terminal  |     |
| 26   | 4460496     | 1   | Washer, Terminal   |     |
| 27   | 4460497     | 1   | Nut, Terminal  |     |
| 28   | 4460526     | 1   | Connector, Strain Relief   |     |
| 29   | 4711400     | 2   | Washer 1/4   |     |
| 30   | 4740397     | 6   | Spacer   |     |
| 31   | 4740444     | 1   | Washer   |     |
| 32   | 4740518     | 2   | Washer   |     |
| 33   | 4751400     | 12  | Washer 1/4   |     |
| 34   | 4761400     | 6   | Washer 1/4   |     |
| 35   | 4891500     | 4   | Washer 5/16  |     |
| 36   | 77143013    | 11  | Nut 1/4  |     |
| 37   | 1001103308  | 2   | Screw 1/4  |     |
| 38   | 1001103667  | 1   | Module, Ground Control (Note: Re-calibration Required when Replaced)                   |     |
| 39   | 1001106736  | 1   | Cap, Dust  |     |
| 40   | 1001243263  | 1   | Harness, Ground Control Box (Not Shown - See Separate Breakdown in ELECTRICAL SECTION) |     |
| 41   | 1001152174  | 1   | Lid  |     |
| 42   | 1001154324  | 1   | Harness, Deutz D2011 Engine (Not Shown - See Separate Breakdown in ELECTRICAL SECTION) |     |

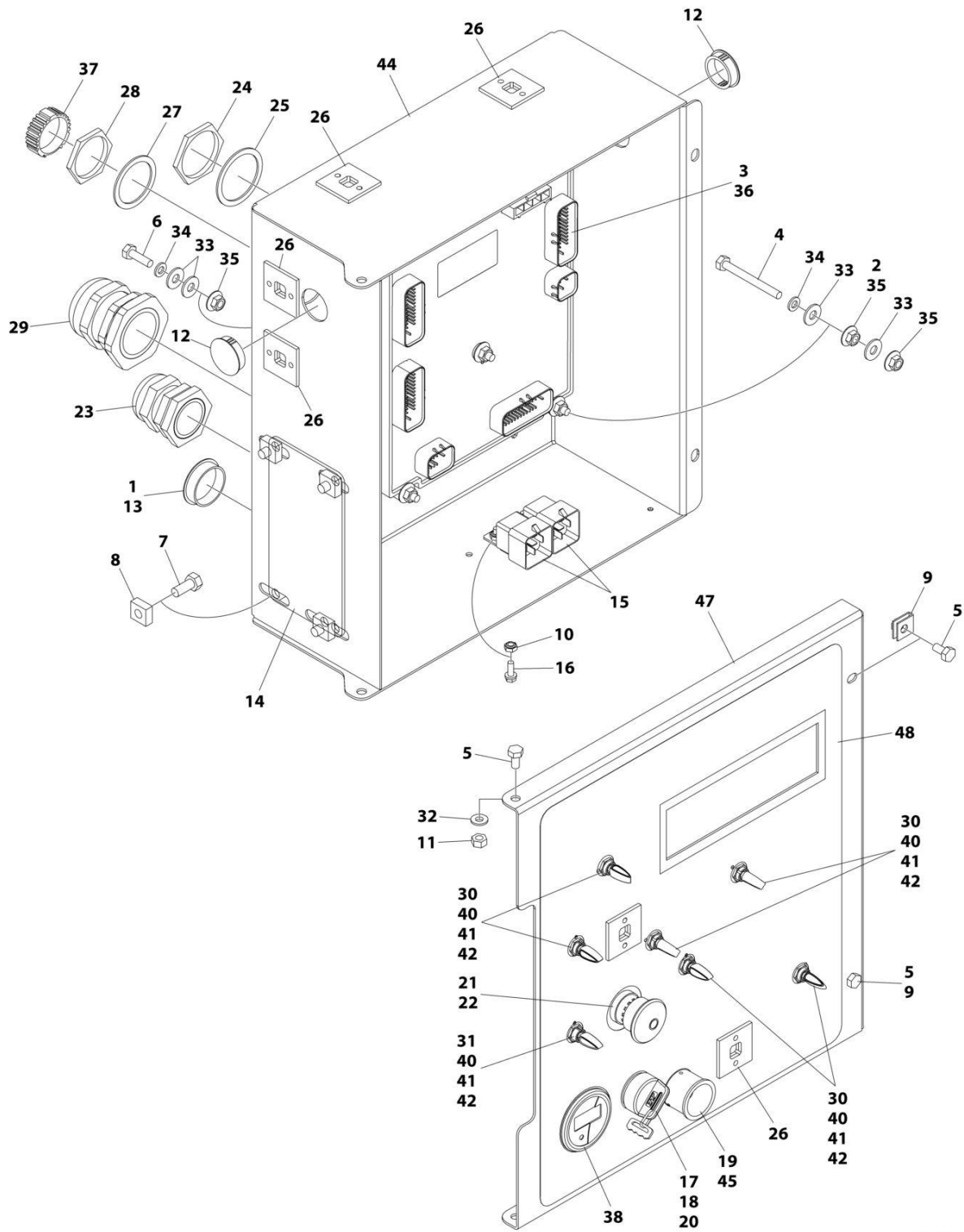
## SECTION 2 - TURNTABLE

| ITEM | PART NUMBER | QTY | DESCRIPTION  | REV |
|------|-------------|-----|--|-----|
| 44   | 1001155043  | 7   | Washer   |     |
| 45   | 1001155044  | 7   | Nut 15/32  |     |
| 46   | 1001155045  | 7   | Switch, Toggle   |     |
| 47   | 1001168024  | 1   | Harness, Platform Valve (Not Shown - See Separate Breakdown in ELECTRICAL SECTION) |     |
| 48   | 1001169234  | 1   | Box Less Lid   |     |
| 49   | 1001188874  | 2   | Nut  |     |
| 50   | 1001221418  | 1   | Decal - Faceplate  |     |



# SECTION 2 - TURNTABLE

FIGURE 2-15. GROUND CONTROL BOX ASSEMBLY - 860SJ HC3 WITH DEUTZ D2011 (CE SPECS)



ART\_1001241732

## SECTION 2 - TURNTABLE

**FIGURE 2-15. GROUND CONTROL BOX ASSEMBLY - 860SJ HC3 WITH DEUTZ D2011 (CE SPECS)**

| ITEM | PART NUMBER | QTY | DESCRIPTION  | REV |
|------|-------------|-----|--|-----|
|      | 1001241732  | Ref | GROUND CONTROL BOX ASSEMBLY  | B   |
| 1    | 0100009     | AR  | Sealant  |     |
| 2    | 0100011     | AR  | Compound, Locking  |     |
| 3    | 0100048     | AR  | Grease, Dielectric   |     |
| 4    | 0630548     | 5   | Bolt, 2-1/2 Tap  |     |
| 5    | 0641404     | 4   | Bolt 1/4 x 1/2   |     |
| 6    | 0641407     | 1   | Bolt 1/4 x 7/8   |     |
| 7    | 0641506     | 4   | Bolt 5/16 x 3/4  |     |
| 8    | 3300205     | 4   | Nut, Retainer  |     |
| 9    | 3300353     | 2   | Nut, Tinnerman   |     |
| 10   | 3300408     | 2   | Nut, Plastic Insert  |     |
| 11   | 3311405     | 2   | Nut 1/4  |     |
| 12   | 3520031     | 2   | Plug   |     |
| 13   | 3520035     | 1   | Plug, Cap  |     |
| 14   | 3539219     | 1   | Plate, Reinforcement   |     |
| 15   | 3740049     | 2   | Relay  |     |
| 16   | 3900268     | 2   | Screw #10 x 1/2  |     |
| 17   | 3910804     | 6   | Screw #8 x 1/4   |     |
| 18   | 4070991     | 1   | Shim   |     |
| 19   | 4360387     | 1   | Switch, Push Button  |     |
| 20   | 4360469     | 1   | Switch, Key  |     |
| 20   | 2860030     | 1   | Key Replacement  |     |
| 21   | 4360475     | 1   | Switch, Emergency Stop   |     |
| 21   | 7020175     | 1   | Cap, Mushroom  |     |
| 21   | 7020176     | 1   | Block, Contact   |     |
| 22   | 4360476     | 1   | Switch, Contact Block  |     |
| 23   | 4460426     | 1   | Connector, Strain Relief   |     |
| 24   | 4460470     | 1   | Nut, Terminal  |     |
| 25   | 4460471     | 1   | Washer, Terminal   |     |
| 26   | 4460488     | 6   | Mounting Base, Terminal  |     |
| 27   | 4460496     | 1   | Washer, Terminal   |     |
| 28   | 4460497     | 1   | Nut, Terminal  |     |
| 29   | 4460526     | 1   | Connector, Strain Relief   |     |
| 30   | 4740397     | 6   | Spacer   |     |
| 31   | 4740444     | 1   | Washer   |     |
| 32   | 4740518     | 2   | Washer   |     |
| 33   | 4751400     | 12  | Washer 1/4   |     |
| 34   | 4761400     | 6   | Washer 1/4   |     |
| 35   | 77143013    | 11  | Nut 1/4  |     |
| 36   | 1001103667  | 1   | Module, Ground Control (Note: Re-calibration Required when Replaced)                   |     |
| 37   | 1001106736  | 1   | Cap, Dust  |     |
| 38   | 1001109503  | 1   | Gauge, Hourmeter   |     |
| 39   | 1001243559  | 1   | Harness, Deutz D2011 Engine (Not Shown - See Separate Breakdown in ELECTRICAL SECTION) |     |
| 40   | 1001155043  | 7   | Washer   |     |
| 41   | 1001155044  | 7   | Nut 15/32  |     |
| 42   | 1001155045  | 7   | Switch, Toggle   |     |
| 43   | 1001168024  | 1   | Harness, Platform Valve (Not Shown - See Separate Breakdown in ELECTRICAL SECTION)     |     |

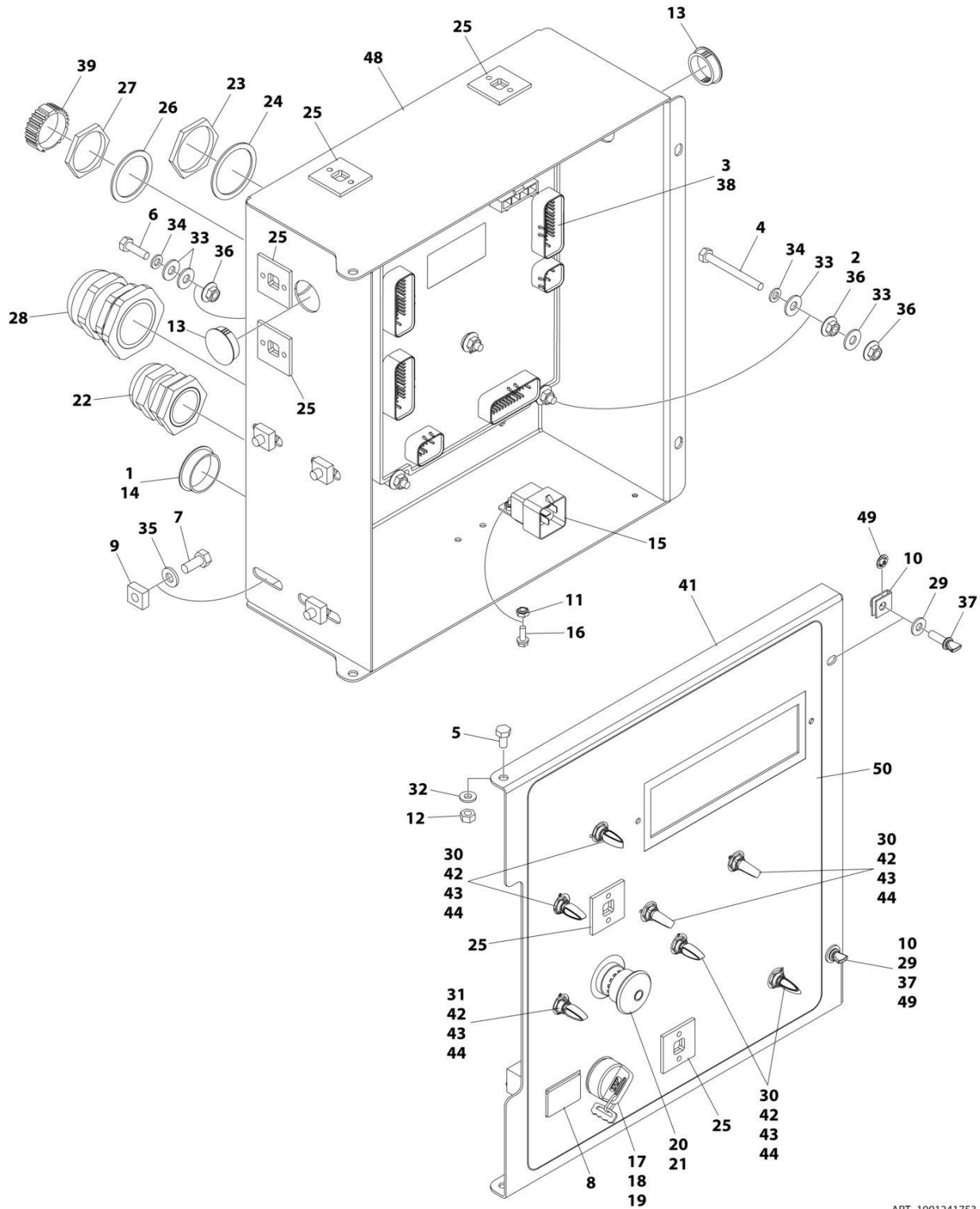
## SECTION 2 - TURNTABLE

| ITEM | PART NUMBER | QTY | DESCRIPTION  | REV |
|------|-------------|-----|--|-----|
| 44   | 1001169234  | 1   | Box Less Lid   |     |
| 45   | 1001176469  | 1   | Shroud   |     |
| 46   | 1001243263  | 1   | Harness, Ground Control Box (Not Shown - See Separate Breakdown in ELECTRICAL SECTION) |     |
| 47   | 1001188041  | 1   | Lid  |     |
| 48   | 1001221420  | 1   | Decal - Faceplate  |     |



# SECTION 2 - TURNTABLE

FIGURE 2-16. GROUND CONTROL BOX ASSEMBLY - 860SJ HC3 WITH DEUTZ TD2.9L4 (ANSI, ANSI EXPORT (HRC), CSA, JAPANESE AND CHINA SPECS)



ART\_1001241753



## SECTION 2 - TURNTABLE

**FIGURE 2-16. GROUND CONTROL BOX ASSEMBLY - 860SJ HC3 WITH DEUTZ TD2.9L4 (ANSI, ANSI EXPORT (HRC), CSA, JAPANESE AND CHINA SPECS)**

| ITEM | PART NUMBER | QTY | DESCRIPTION  | REV |
|------|-------------|-----|--|-----|
|      | 1001241753  | Ref | GROUND CONTROL BOX ASSEMBLY  | A   |
| 1    | 0100009     | AR  | Sealant  |     |
| 2    | 0100011     | AR  | Compound, Locking  |     |
| 3    | 0100048     | AR  | Grease, Dielectric   |     |
| 4    | 0630548     | 5   | Bolt, 2-1/2 Tap  |     |
| 5    | 0641404     | 2   | Bolt 1/4 x 1/2   |     |
| 6    | 0641407     | 1   | Bolt 1/4 x 7/8   |     |
| 7    | 0641506     | 4   | Bolt 5/16 x 3/4  |     |
| 8    | 2420172     | 1   | Gauge, Hourmeter   |     |
| 9    | 3300205     | 4   | Nut, Retainer  |     |
| 10   | 3300353     | 2   | Nut, Tinnerman   |     |
| 11   | 3300408     | 1   | Nut, Plastic Insert  |     |
| 12   | 3311405     | 2   | Nut 1/4  |     |
| 13   | 3520031     | 2   | Plug   |     |
| 14   | 3520035     | 1   | Plug, Cap  |     |
| 15   | 3740049     | 1   | Relay  |     |
| 16   | 3900268     | 1   | Screw #10 x 1/2  |     |
| 17   | 3910804     | 6   | Screw #8 x 1/4   |     |
| 18   | 4070991     | 1   | Shim   |     |
| 19   | 4360469     | 1   | Switch, Key  |     |
| 19   | 2860030     | 1   | Key Replacement  |     |
| 20   | 4360475     | 1   | Switch, Emergency Stop   |     |
| 20   | 7020175     | 1   | Cap, Mushroom  |     |
| 20   | 7020176     | 1   | Block, Contact   |     |
| 21   | 4360476     | 1   | Switch, Contact Block  |     |
| 22   | 4460426     | 1   | Connector, Strain Relief   |     |
| 23   | 4460470     | 1   | Nut, Terminal  |     |
| 24   | 4460471     | 1   | Washer, Terminal   |     |
| 25   | 4460488     | 6   | Mounting Base, Terminal  |     |
| 26   | 4460496     | 1   | Washer, Terminal   |     |
| 27   | 4460497     | 1   | Nut, Terminal  |     |
| 28   | 4460526     | 1   | Connector, Strain Relief   |     |
| 29   | 4711400     | 2   | Washer 1/4   |     |
| 30   | 4740397     | 6   | Spacer   |     |
| 31   | 4740444     | 1   | Washer   |     |
| 32   | 4740518     | 2   | Washer   |     |
| 33   | 4751400     | 12  | Washer 1/4   |     |
| 34   | 4761400     | 6   | Washer 1/4   |     |
| 35   | 4891500     | 4   | Washer 5/16  |     |
| 36   | 77143013    | 11  | Nut 1/4  |     |
| 37   | 1001103308  | 2   | Screw 1/4  |     |
| 38   | 1001103667  | 1   | Module, Ground Control (Note: Re-calibration Required when Replaced)                   |     |
| 39   | 1001106736  | 1   | Cap, Dust  |     |
| 40   | 1001243263  | 1   | Harness, Ground Control Box (Not Shown - See Separate Breakdown in ELECTRICAL SECTION) |     |
| 41   | 1001152174  | 1   | Lid  |     |
| 42   | 1001155043  | 7   | Washer   |     |
| 43   | 1001155044  | 7   | Nut 15/32  |     |

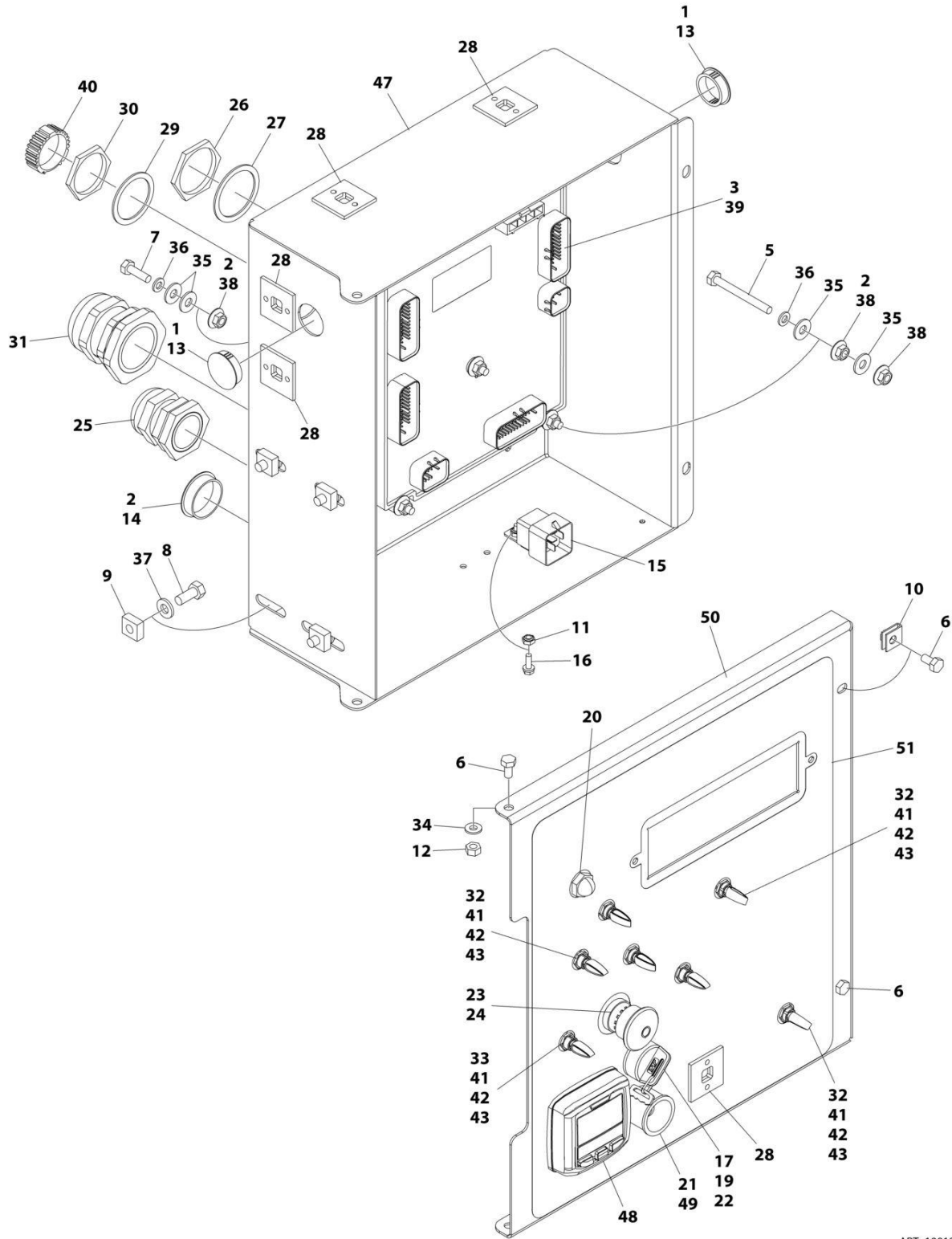
## SECTION 2 - TURNTABLE

| ITEM | PART NUMBER | QTY | DESCRIPTION  | REV |
|------|-------------|-----|--|-----|
| 44   | 1001155045  | 7   | Switch, Toggle   |     |
| 45   | 1001165776  | 1   | Harness, Deutz D2011 Engine (Not Shown - See Separate Breakdown in ELECTRICAL SECTION) |     |
| 47   | 1001168024  | 1   | Harness, Platform Valve (Not Shown - See Separate Breakdown in ELECTRICAL SECTION)     |     |
| 48   | 1001169234  | 1   | Box Less Lid   |     |
| 49   | 1001188874  | 2   | Nut  |     |
| 50   | 1001221418  | 1   | Decal - Faceplate  |     |



# SECTION 2 - TURNTABLE

## FIGURE 2-17. GROUND CONTROL BOX ASSEMBLY - 860SJ HC3 WITH DEUTZ TD2.9L4 (STAGE V) (CE SPECS)



ART\_1001237734

## SECTION 2 - TURNTABLE

**FIGURE 2-17. GROUND CONTROL BOX ASSEMBLY - 860SJ HC3 WITH DEUTZ TD2.9L4 (STAGE V)  
(CE SPECS)**

| ITEM | PART NUMBER | QTY | DESCRIPTION  | REV |
|------|-------------|-----|--|-----|
|      | 1001237734  | Ref | GROUND CONTROL BOX ASSEMBLY  | D   |
| 1    | 0100009     | AR  | Sealant  |     |
| 2    | 0100011     | AR  | Compound, Locking  |     |
| 3    | 0100048     | AR  | Grease, Dielectric   |     |
| 5    | 0630548     | 5   | Bolt, 2-1/2 Tap  |     |
| 6    | 0641404     | 4   | Bolt 1/4 x 1/2   |     |
| 7    | 0641407     | 1   | Bolt 1/4 x 7/8   |     |
| 8    | 0641507     | 4   | Bolt 5/16 x 7/8  |     |
| 9    | 3300205     | 4   | Nut, Retainer  |     |
| 10   | 3300353     | 2   | Nut, Tinnerman   |     |
| 11   | 3300408     | 1   | Nut, Plastic Insert  |     |
| 12   | 3311405     | 2   | Nut 1/4  |     |
| 13   | 3520031     | 2   | Plug   |     |
| 14   | 3520035     | 1   | Plug, Cap  |     |
| 15   | 3740049     | 1   | Relay  |     |
| 16   | 3900268     | 1   | Screw #10 x 1/2  |     |
| 17   | 3910804     | 6   | Screw #8 x 1/4   |     |
| 19   | 4070991     | 1   | Shim   |     |
| 20   | 4360274     | 1   | Switch, Push Button  |     |
| 21   | 4360387     | 1   | Switch, Push Button  |     |
| 22   | 4360469     | 1   | Switch, Key  |     |
| 22   | 2860030     | 1   | Key Replacement  |     |
| 23   | 4360475     | 1   | Switch, Emergency Stop   |     |
| 23   | 7020175     | 1   | Cap, Mushroom  |     |
| 23   | 7020176     | 1   | Block, Contact   |     |
| 24   | 4360476     | 1   | Switch, Contact Block  |     |
| 25   | 4460426     | 1   | Connector, Strain Relief   |     |
| 26   | 4460470     | 1   | Nut, Terminal  |     |
| 27   | 4460471     | 1   | Washer, Terminal   |     |
| 28   | 4460488     | 6   | Mounting Base, Terminal  |     |
| 29   | 4460496     | 1   | Washer, Terminal   |     |
| 30   | 4460497     | 1   | Nut, Terminal  |     |
| 31   | 4460526     | 1   | Connector, Strain Relief   |     |
| 32   | 4740397     | 6   | Spacer   |     |
| 33   | 4740444     | 1   | Washer   |     |
| 34   | 4740518     | 2   | Washer   |     |
| 35   | 4751400     | 12  | Washer 1/4   |     |
| 36   | 4761400     | 6   | Washer 1/4   |     |
| 37   | 4891500     | 4   | Washer 5/16  |     |
| 38   | 77143013    | 11  | Nut 1/4  |     |
| 39   | 1001103667  | 1   | Module, Ground Control (Note: Re-calibration Required when Replaced)                     |     |
| 40   | 1001106736  | 1   | Cap, Dust  |     |
| 41   | 1001155043  | 7   | Washer   |     |
| 42   | 1001155044  | 7   | Nut 15/32  |     |
| 43   | 1001155045  | 7   | Switch, Toggle   |     |
| 44   | 1001165776  | 1   | Harness, Deutz TD2.9L4 Engine (Not Shown - See Separate Breakdown in ELECTRICAL SECTION) |     |
| 46   | 1001168024  | 1   | Harness, Platform Valve (Not Shown - See Separate Breakdown in                           |     |

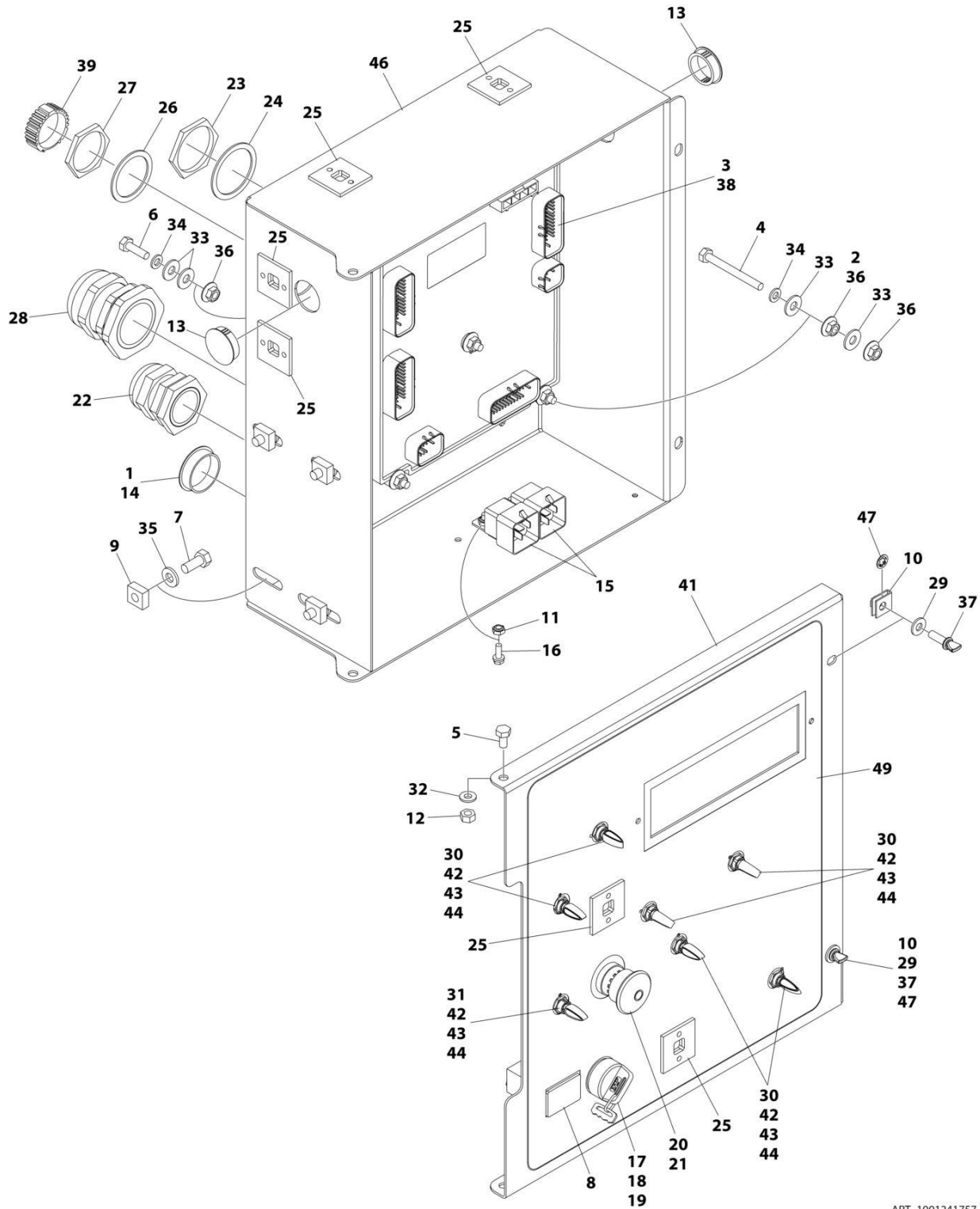
## SECTION 2 - TURNTABLE

| ITEM | PART NUMBER | QTY | DESCRIPTION   | REV |
|------|-------------|-----|---|-----|
| 47   | 1001169234  | 1   | ELECTRICAL SECTION)<br>Box Less Lid   |     |
| 48   | 1001171482  | 1   | Gauge, Display  |     |
| 49   | 1001176469  | 1   | Shroud  |     |
| 50   | 1001237023  | 1   | Lid   |     |
| 51   | 1001237035  | 1   | Decal - Faceplate   |     |
| 53   | 1001243263  | 1   | Harness, Ground Control Box (Not Shown - See Separate<br>Breakdown in ELECTRICAL SECTION) |     |



## SECTION 2 - TURNTABLE

FIGURE 2-18. GROUND CONTROL BOX ASSEMBLY - 860SJ HC3 WITH FORD DF 2.5L (ANSI, ANSI EXPORT (LRC), ANSI EXPORT (HRC), AUSTRALIAN AND CSA SPECS)



ART\_1001241757



## SECTION 2 - TURNTABLE

**FIGURE 2-18. GROUND CONTROL BOX ASSEMBLY - 860SJ HC3 WITH FORD DF 2.5L (ANSI, ANSI EXPORT (LRC), ANSI EXPORT (HRC), AUSTRALIAN AND CSA SPECS)**

| ITEM | PART NUMBER | QTY | DESCRIPTION  | REV |
|------|-------------|-----|--|-----|
|      | 1001241757  | Ref | GROUND CONTROL BOX ASSEMBLY  | A   |
| 1    | 0100009     | AR  | Sealant  |     |
| 2    | 0100011     | AR  | Compound, Locking  |     |
| 3    | 0100048     | AR  | Grease, Dielectric   |     |
| 4    | 0630548     | 5   | Bolt, 2-1/2 Tap  |     |
| 5    | 0641404     | 2   | Bolt 1/4 x 1/2   |     |
| 6    | 0641407     | 1   | Bolt 1/4 x 7/8   |     |
| 7    | 0641506     | 4   | Bolt 5/16 x 3/4  |     |
| 8    | 2420172     | 1   | Gauge, Hourmeter   |     |
| 9    | 3300205     | 4   | Nut, Retainer  |     |
| 10   | 3300353     | 2   | Nut, Tinnerman   |     |
| 11   | 3300408     | 2   | Nut, Plastic Insert  |     |
| 12   | 3311405     | 2   | Nut 1/4  |     |
| 13   | 3520031     | 2   | Plug   |     |
| 14   | 3520035     | 1   | Plug, Cap  |     |
| 15   | 3740049     | 2   | Relay  |     |
| 16   | 3900268     | 2   | Screw #10 x 1/2  |     |
| 17   | 3910804     | 6   | Screw #8 x 1/4   |     |
| 18   | 4070991     | 1   | Shim   |     |
| 19   | 4360469     | 1   | Switch, Key  |     |
| 19   | 2860030     | 1   | Key Replacement  |     |
| 20   | 4360475     | 1   | Switch, Emergency Stop   |     |
| 20   | 7020175     | 1   | Cap, Mushroom  |     |
| 20   | 7020176     | 1   | Block, Contact   |     |
| 21   | 4360476     | 1   | Switch, Contact Block  |     |
| 22   | 4460426     | 1   | Connector, Strain Relief   |     |
| 23   | 4460470     | 1   | Nut, Terminal  |     |
| 24   | 4460471     | 1   | Washer, Terminal   |     |
| 25   | 4460488     | 6   | Mounting Base, Terminal  |     |
| 26   | 4460496     | 1   | Washer, Terminal   |     |
| 27   | 4460497     | 1   | Nut, Terminal  |     |
| 28   | 4460526     | 1   | Connector, Strain Relief   |     |
| 29   | 4711400     | 2   | Washer 1/4   |     |
| 30   | 4740397     | 6   | Spacer   |     |
| 31   | 4740444     | 1   | Washer   |     |
| 32   | 4740518     | 2   | Washer   |     |
| 33   | 4751400     | 12  | Washer 1/4   |     |
| 34   | 4761400     | 6   | Washer 1/4   |     |
| 35   | 4891500     | 4   | Washer 5/16  |     |
| 36   | 77143013    | 11  | Nut 1/4  |     |
| 37   | 1001103308  | 2   | Screw 1/4  |     |
| 38   | 1001103667  | 1   | Module, Ground Control (Note: Re-calibration Required when Replaced)                   |     |
| 39   | 1001106736  | 1   | Cap, Dust  |     |
| 40   | 1001243263  | 1   | Harness, Ground Control Box (Not Shown - See Separate Breakdown in ELECTRICAL SECTION) |     |
| 41   | 1001152174  | 1   | Lid  |     |
| 42   | 1001155043  | 7   | Washer   |     |
| 43   | 1001155044  | 7   | Nut 15/32  |     |

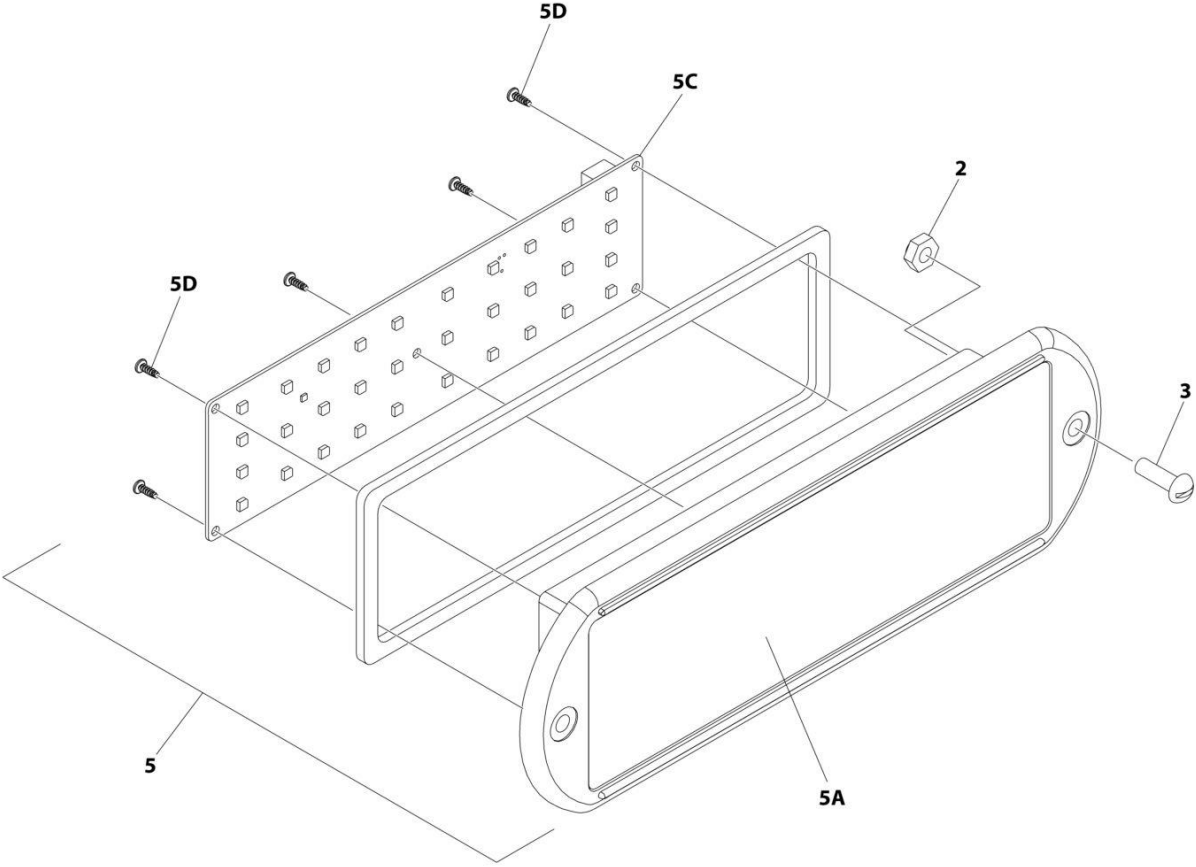
## SECTION 2 - TURNTABLE

| ITEM | PART NUMBER | QTY | DESCRIPTION   | REV |
|------|-------------|-----|---|-----|
| 44   | 1001155045  | 7   | Switch, Toggle  |     |
| 45   | 1001168024  | 1   | Harness, Platform Valve (Not Shown - See Separate Breakdown in ELECTRICAL SECTION)      |     |
| 46   | 1001169234  | 1   | Box Less Lid  |     |
| 47   | 1001188874  | 2   | Nut   |     |
| 48   | 1001216327  | 1   | Harness, Ford DF 2.5L Engine (Not Shown - See Separate Breakdown in ELECTRICAL SECTION) |     |
| 49   | 1001221418  | 1   | Decal - Faceplate   |     |



**SECTION 2 - TURNTABLE**

**FIGURE 2-19. LIGHT PANEL INSTALLATION**



ART\_1001233959\_B\_10F2

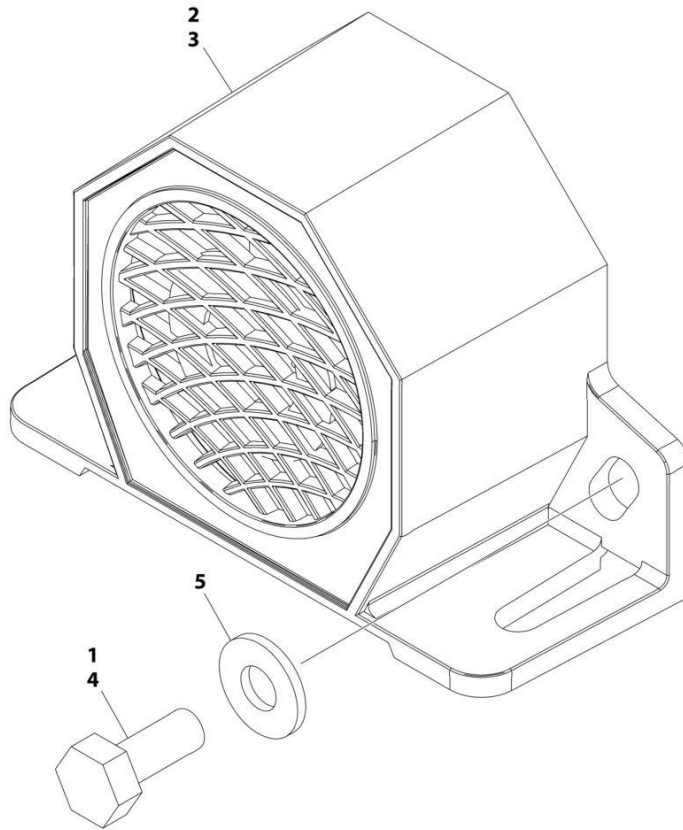
**SECTION 2 - TURNTABLE**

**FIGURE 2-19. LIGHT PANEL INSTALLATION**

| <b>ITEM</b> | <b>PART NUMBER</b> | <b>QTY</b> | <b>DESCRIPTION</b>      | <b>REV</b> |
|-------------|--------------------|------------|-------------------------|------------|
|             | 1001233959         | Ref        | LIGHT PANEL INSTALLTION | B          |
| 2           | 3300408            | 2          | Nut, Nylon Insert       |            |
| 3           | 0630518            | 2          | Screw #10 x 3/4         |            |
| 5           | 1001237546         | 1          | Light Panel Assembly    |            |
| 5A          | 1001236091         | 1          | Lens, I-Con             |            |
| 5C          | 1001187807         | 1          | Panel, LED Light        |            |
| 5D          |                    | Ref        | Screw                   |            |

## SECTION 2 - TURNTABLE

FIGURE 2-20. ALARM INSTALLATION



ART\_1001158364

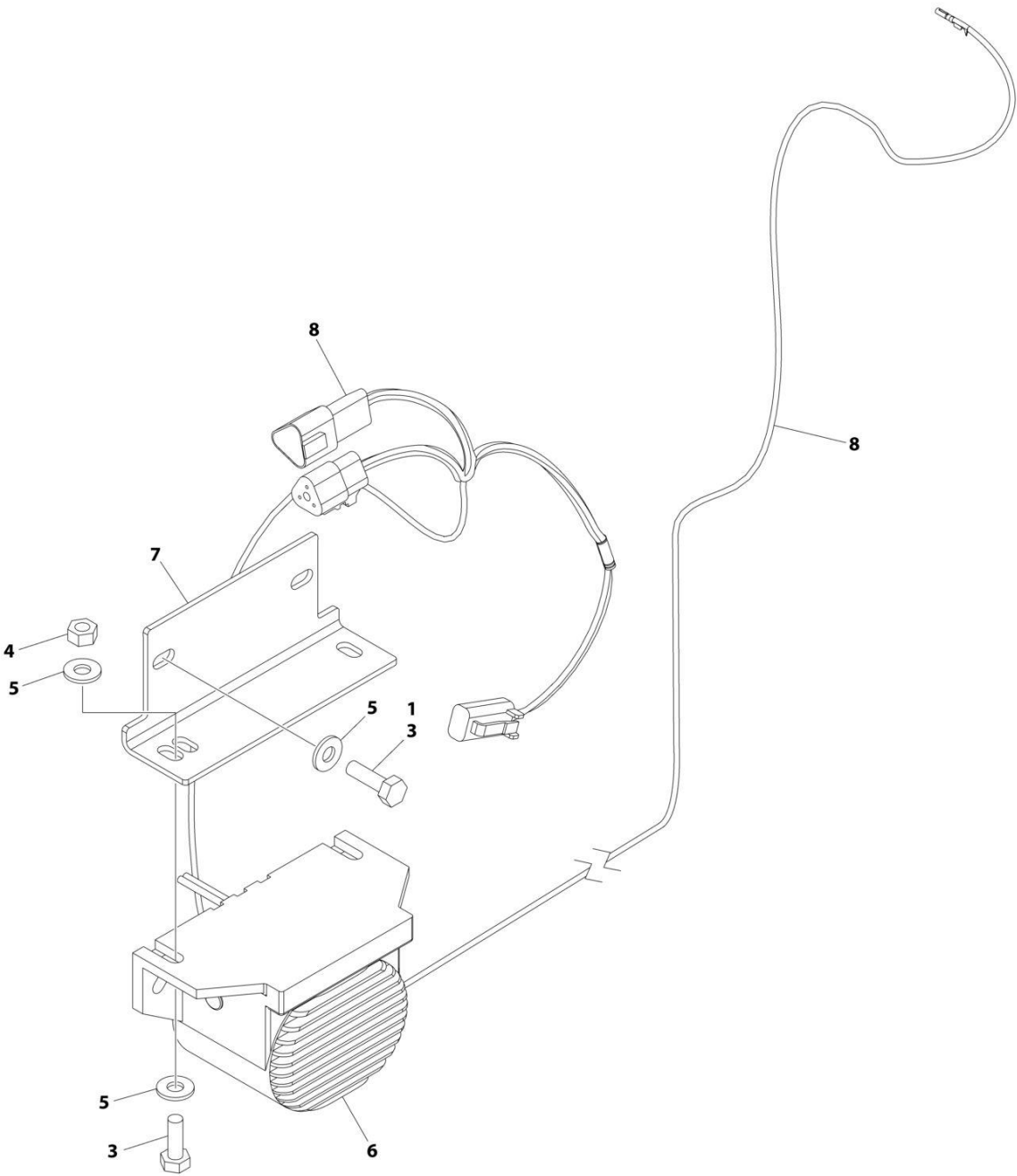
**SECTION 2 - TURNTABLE**

**FIGURE 2-20. ALARM INSTALLATION**

| <b>ITEM</b> | <b>PART NUMBER</b> | <b>QTY</b> | <b>DESCRIPTION</b> | <b>REV</b> |
|-------------|--------------------|------------|--------------------|------------|
|             | 1001158364         | Ref        | ALARM INSTALLATION | A          |
| 1           | 0100011            | AR         | Compound, Locking  |            |
| 2           | 0100048            | AR         | Grease, Dielectric |            |
| 3           | 0140044            | 1          | Alarm              |            |
| 4           | 0641405            | 2          | Bolt 1/4 x 5/8     |            |
| 5           | 4711400            | 2          | Washer 1/4         |            |

**SECTION 2 - TURNTABLE**

**FIGURE 2-21. WHITE NOISE ALARM INSTALLATION**



ART\_1001247281



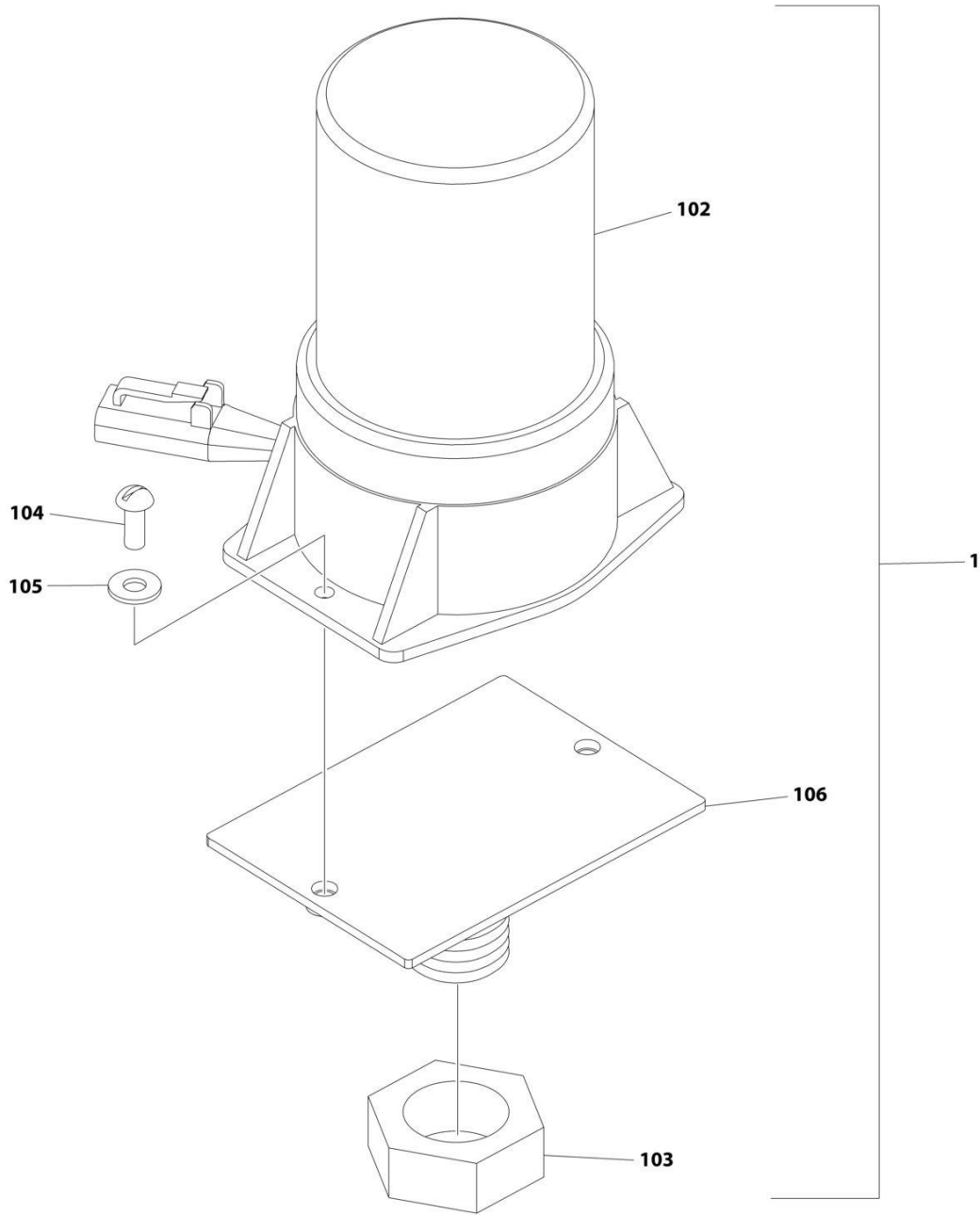
**SECTION 2 - TURNTABLE**

**FIGURE 2-21. WHITE NOISE ALARM INSTALLATION**

| <b>ITEM</b> | <b>PART NUMBER</b> | <b>QTY</b> | <b>DESCRIPTION</b>  | <b>REV</b> |
|-------------|--------------------|------------|---|------------|
|             | 1001247281         | Ref        | WHITE NOISE ALARM INSTALLATION  | A          |
| 1           | 0100011            | AR         | Compound, Locking   |            |
| 2           | 0100048            | AR         | Compound, Silicone (Not Shown)  |            |
| 3           | 0641406            | 4          | Bolt 1/4 x 3/4  |            |
| 4           | 3311405            | 2          | Nut 1/4   |            |
| 5           | 4711400            | 6          | Washer 1/4  |            |
| 6           | 1001182806         | 1          | Alarm   |            |
| 7           | 1001231886         | 1          | Plate   |            |
| 8           | 1001243682         | 1          | White Noise Motion Alarm Harness (See Separate Breakdown in this Section) |            |

# SECTION 2 - TURNTABLE

## FIGURE 2-22. STROBE LIGHT INSTALLATION (AMBER)



ART\_1001160077

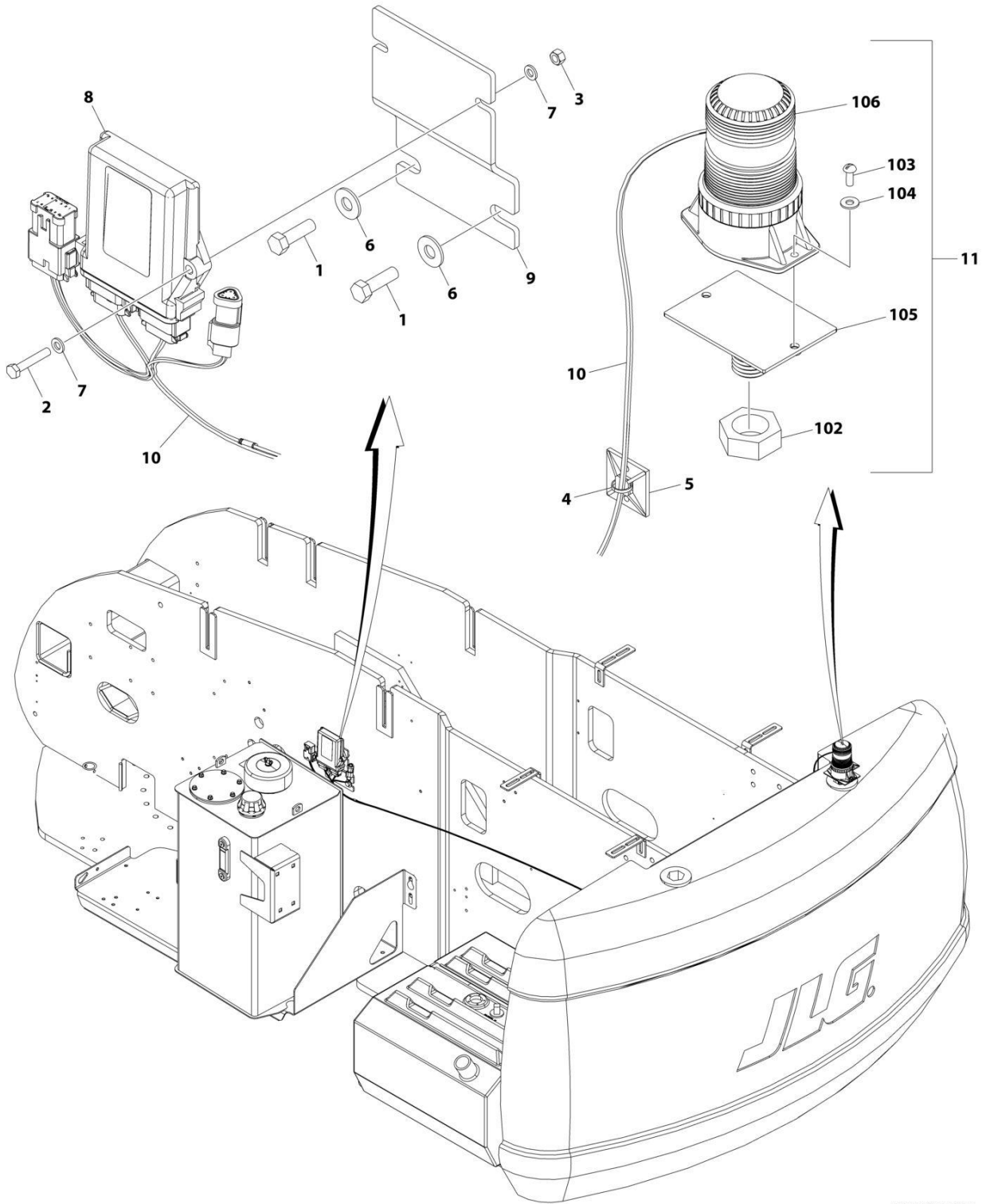
**SECTION 2 - TURNTABLE**

**FIGURE 2-22. STROBE LIGHT INSTALLATION (AMBER)**

| <b>ITEM</b> | <b>PART NUMBER</b> | <b>QTY</b> | <b>DESCRIPTION</b>                             | <b>REV</b> |
|-------------|--------------------|------------|--|------------|
|             | 1001160077         | Ref        | STROBE LIGHT INSTALLATION (AMBER)              | B          |
| 1           | 1001150406         | 1          | Strobe Light Assembly (Includes Items 102-106) | C          |
| 102         | 2920161            | 1          | Strobe Light/Harness Assembly                  |            |
| 102         | 7016319            | 1          | Bulb   |            |
| 102         | 7016372            | 1          | Lens   |            |
| 103         | 3312602            | 1          | Nut1   |            |
| 104         | 3900085            | 2          | Screw #10 x 1/2                                |            |
| 105         | 4751000            | 2          | Washer 1/4                                     |            |
| 106         | 1001149994         | 1          | Mount, Strobe                                  |            |

# SECTION 2 - TURNTABLE

## FIGURE 2-23. STROBE LIGHT INSTALLATION (BLUE)



ART\_1001242253

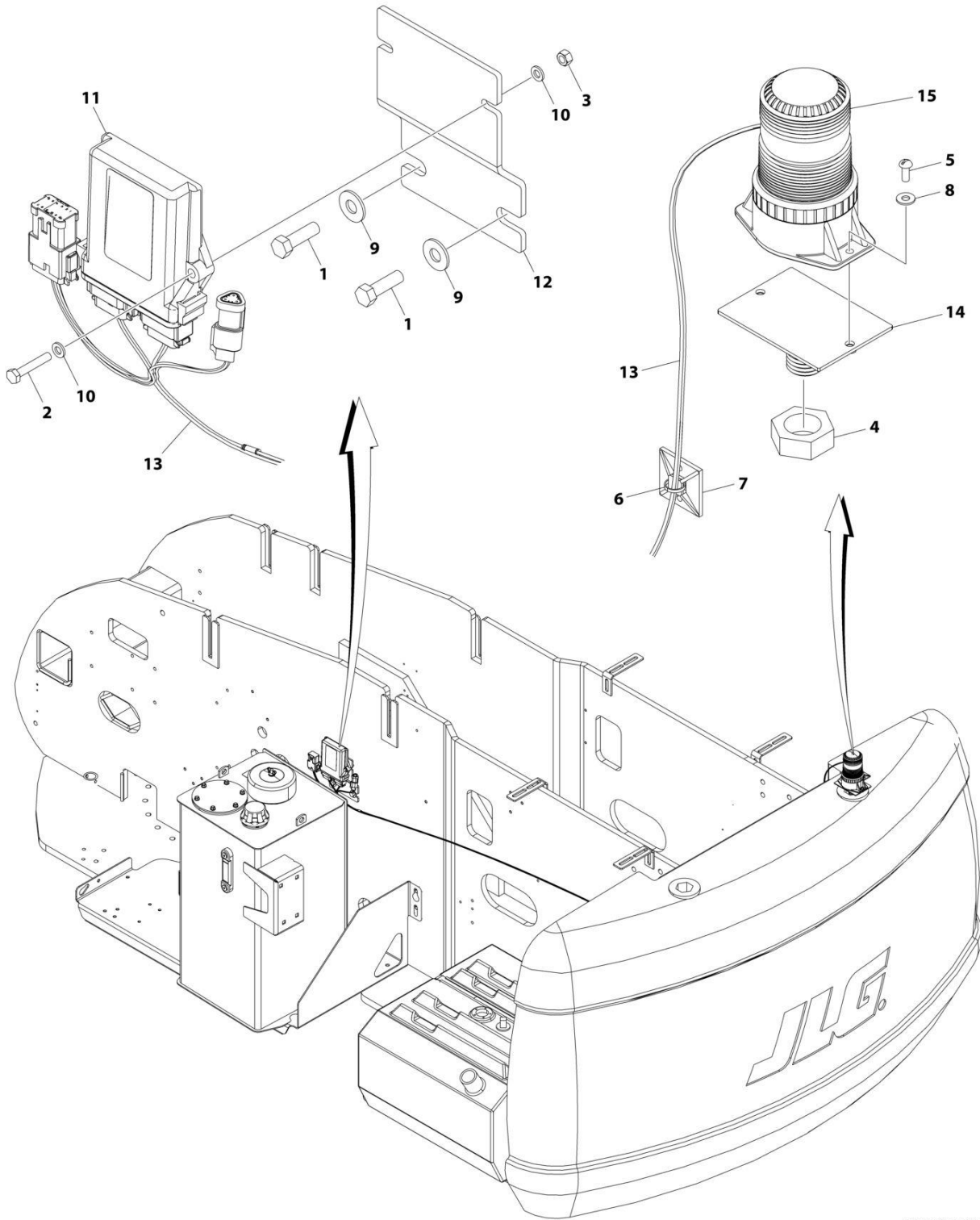
## SECTION 2 - TURNTABLE

### FIGURE 2-23. STROBE LIGHT INSTALLATION (BLUE)

| ITEM | PART NUMBER | QTY | DESCRIPTION   | REV |
|------|-------------|-----|---|-----|
|      | 1001242253  | Ref | STROBE LIGHT INSTALLATION (BLUE)                                      | A   |
| 1    | 0641610     | 2   | Bolt 3/8 x 1-1/4  |     |
| 2    | 0700615     | 2   | Bolt 6 x 35   |     |
| 3    | 3290607     | 2   | Nut M6  |     |
| 4    | 4240032     | AR  | Tie-Strap   |     |
| 5    | 4460488     | AR  | Base, Terminal, Mounting  |     |
| 6    | 4751600     | 2   | Washer 3/8  |     |
| 7    | 4811700     | 4   | Washer M6   |     |
| 8    | 1001142683  | 1   | Module, Control - Beacon  |     |
| 9    | 1001142722  | 1   | Bracket   |     |
| 10   | 1001142736  | 1   | Beacon Control Harness (See Separate Breakdown in ELECTRICAL SECTION) |     |
| 11   | 1001217005  | 1   | Beacon Kit - Blue (Includes Items 102 - 106)                          |     |
| 102  | 3312602     | 1   | Nut   |     |
| 103  | 3900085     | 2   | Screw   |     |
| 104  | 4751000     | 2   | Washer #10  |     |
| 105  | 1001149994  | 1   | Mount, Strobe   |     |
| 106  | 1001200910  | 1   | Light, Beacon   |     |

# SECTION 2 - TURNTABLE

## FIGURE 2-24. STROBE LIGHT INSTALLATION (RED)



ART\_1001242254

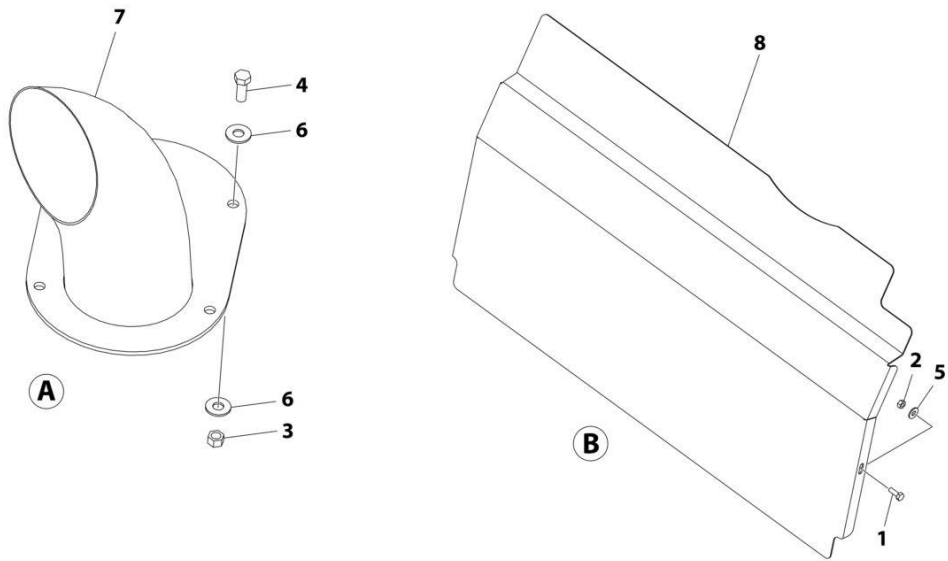
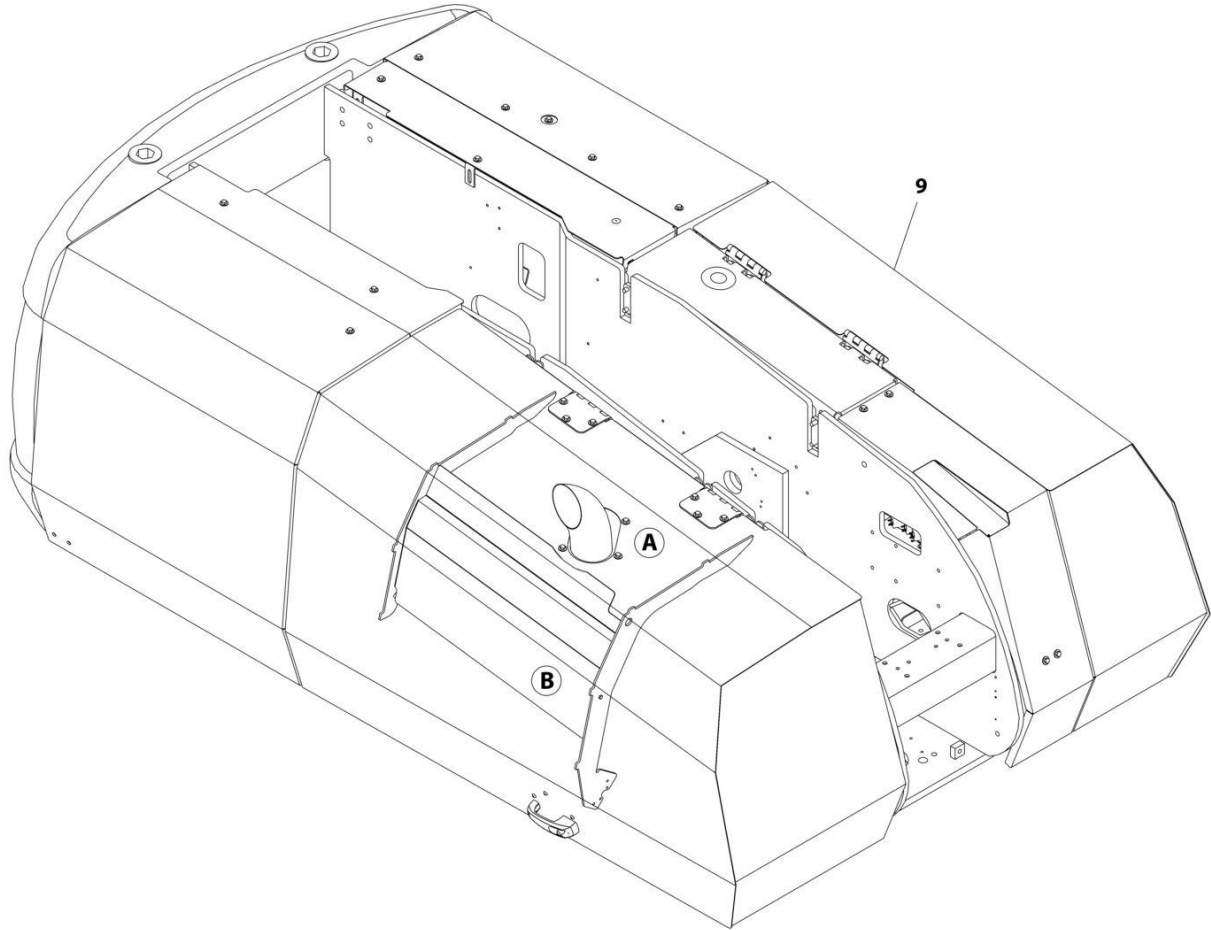
**SECTION 2 - TURNTABLE**

**FIGURE 2-24. STROBE LIGHT INSTALLATION (RED)**

| ITEM | PART NUMBER | QTY | DESCRIPTION   | REV |
|------|-------------|-----|---|-----|
|      | 1001242254  | Ref | STROBE LIGHT INSTALLATION (RED)                                       | A   |
| 1    | 0641610     | 2   | Bolt 3/8 x 1-1/4  |     |
| 2    | 0700615     | 2   | Bolt 6 x 35   |     |
| 3    | 3290607     | 2   | Nut M6  |     |
| 4    | 3312602     | 1   | Nut   |     |
| 5    | 3900085     | 2   | Screw   |     |
| 6    | 4240032     | AR  | Tie Strap   |     |
| 7    | 4460488     | AR  | Base, Terminal, Mounting  |     |
| 8    | 4751000     | 2   | Washer  |     |
| 9    | 4751600     | 2   | Washer 3/8  |     |
| 10   | 4811700     | 4   | Washer M6   |     |
| 11   | 1001142683  | 1   | Module, Control - Beacon  |     |
| 12   | 1001142722  | 1   | Bracket   |     |
| 13   | 1001142736  | 1   | Beacon Control Harness (See Separate Breakdown in ELECTRICAL SECTION) |     |
| 14   | 1001149994  | 1   | Mount, Strobe   |     |
| 15   | 1001207004  | 1   | Light, Beacon   |     |

# SECTION 2 - TURNTABLE

FIGURE 2-25. EXHAUST STACK INSTALLATION - STEEL HOOD (DEUTZ D2011 ENGINES)



ART\_1001157752



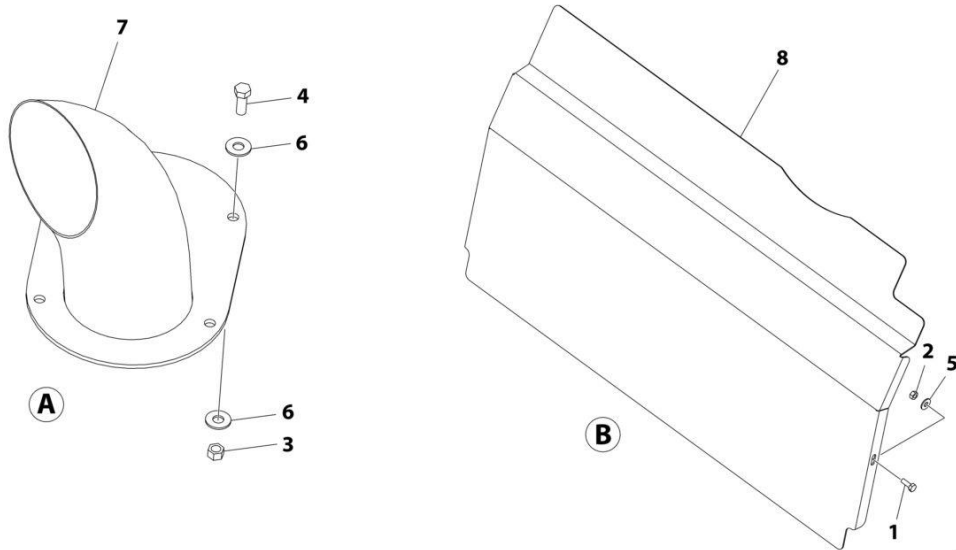
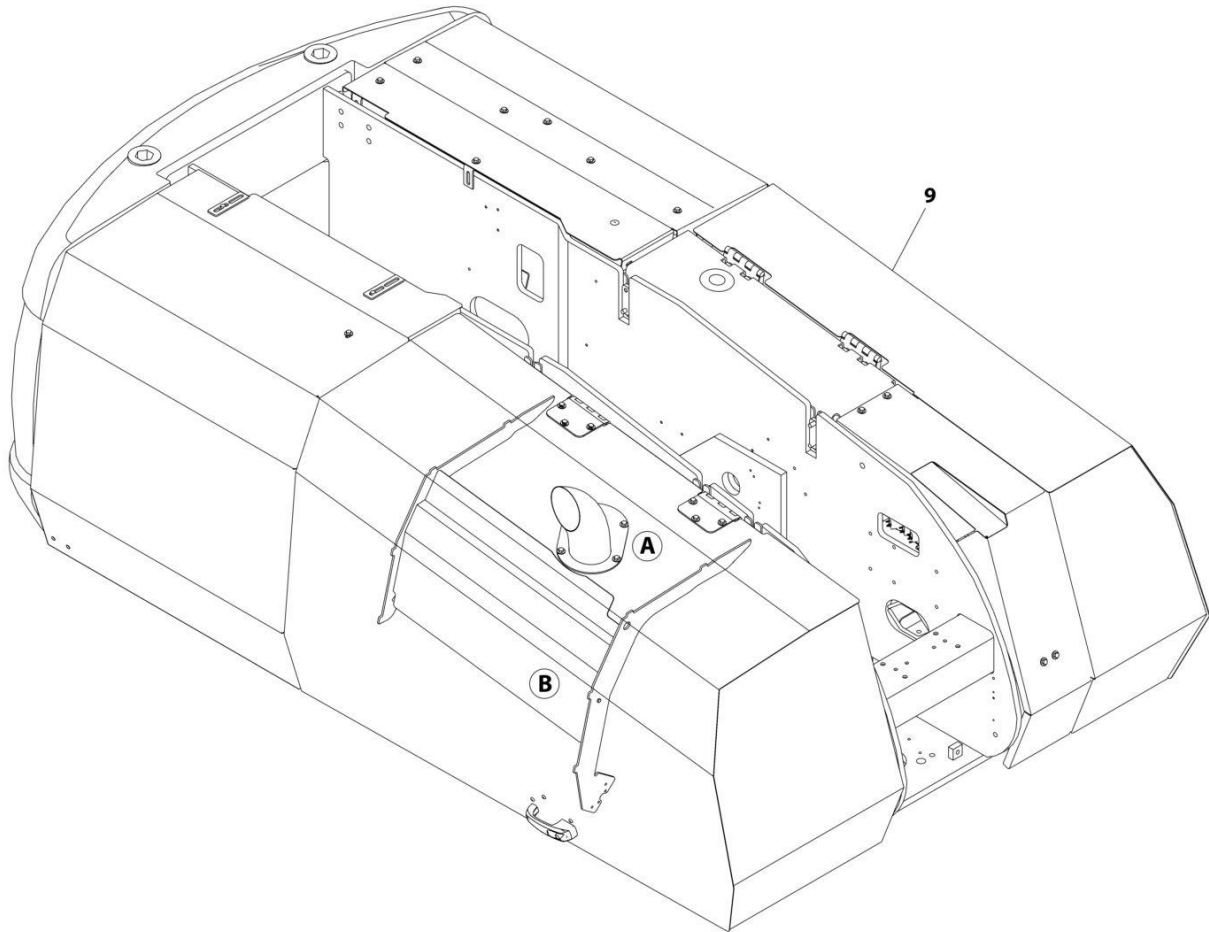
# SECTION 2 - TURNTABLE

**FIGURE 2-25. EXHAUST STACK INSTALLATION - STEEL HOOD (DEUTZ D2011 ENGINES)**

| ITEM | PART NUMBER | QTY | DESCRIPTION   | REV |
|------|-------------|-----|---|-----|
|      |             | Ref | NOTE: REPLACEMENT DECALS MUST BE PURCHASED SEPARATELY - SEE DECALS SECTION. |     |
|      | 1001157752  | Ref | EXHAUST STACK INSTALLATION - STEEL HOOD                                     | D   |
| 1    | 0641406     | 3   | Bolt 1/4 x 3/4  |     |
| 2    | 3311405     | 3   | Nut 1/4   |     |
| 3    | 3311605     | 4   | Nut 3/8   |     |
| 4    | 0641608     | 4   | Bolt 3/8 x 1  |     |
| 5    | 4751400     | 3   | Washer 1/4  |     |
| 6    | 4751600     | 8   | Washer 3/8  |     |
| 7    | 1001116456  | 1   | Stack, Exhaust  |     |
| 8    | 1001150561  | 1   | Shield, Heat  |     |
| 9    | 1001157416  | 1   | Steel Hood Installation (See Separate Breakdown in this Section)            |     |

## SECTION 2 - TURNTABLE

FIGURE 2-26. EXHAUST STACK INSTALLATION - STEEL HOOD WITH HOSTILE ENVIRONMENT MACHINES (DEUTZ D2011 ENGINES)



ART\_1001157755

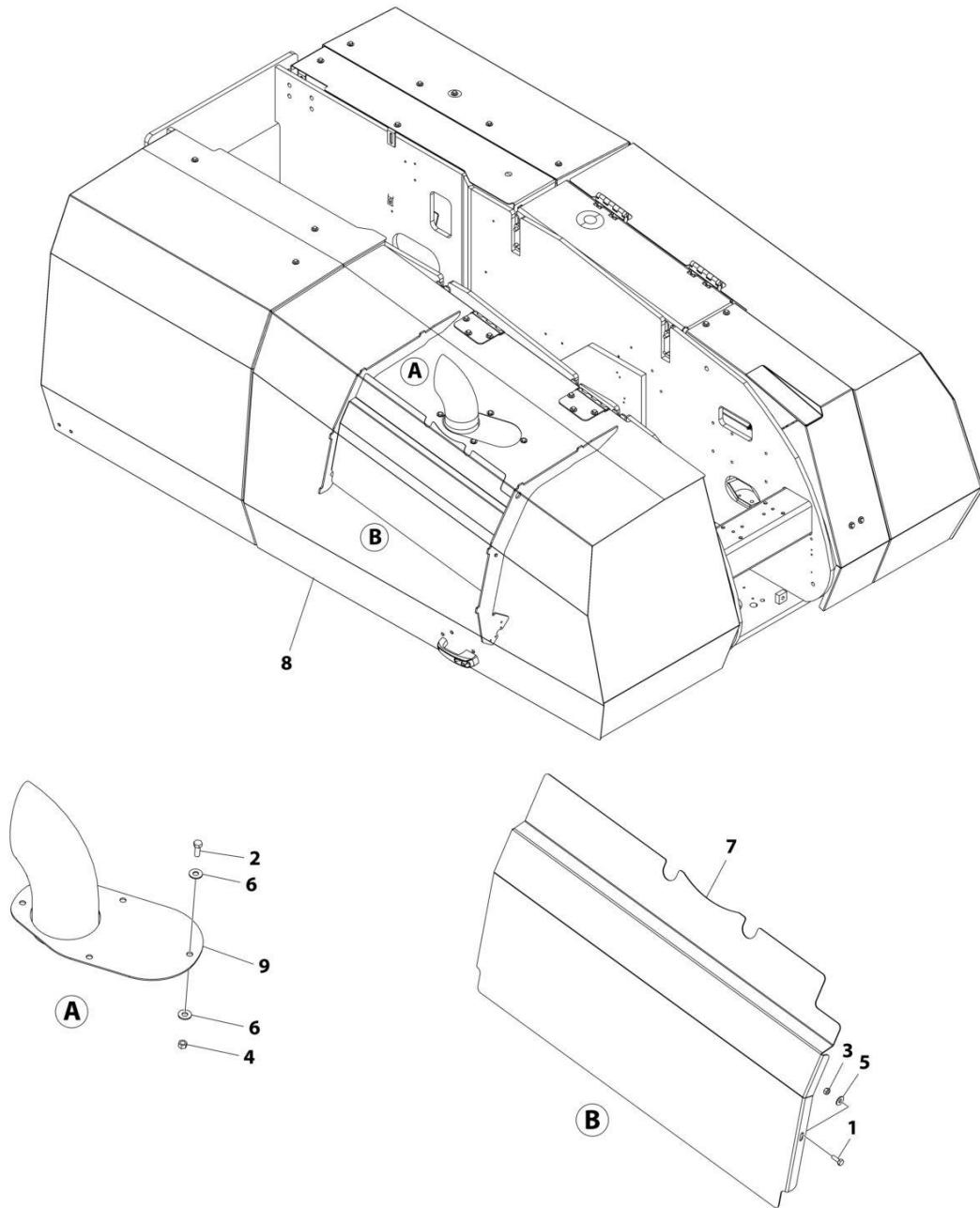
**SECTION 2 - TURNTABLE**

**FIGURE 2-26. EXHAUST STACK INSTALLATION - STEEL HOOD WITH HOSTILE ENVIRONMENT MACHINES (DEUTZ D2011 ENGINES)**

| ITEM | PART NUMBER | QTY | DESCRIPTION   | REV |
|------|-------------|-----|---|-----|
|      |             | Ref | NOTE: REPLACEMENT DECALS MUST BE PURCHASED SEPARATELY - SEE DECALS SECTION. |     |
|      | 1001157755  | Ref | EXHAUST STACK INSTALLATION - STEEL HOOD                                     | D   |
| 1    | 0641406     | 3   | Bolt 1/4 x 3/4  |     |
| 2    | 3311405     | 3   | Nut 1/4   |     |
| 3    | 3311605     | 4   | Nut 3/8   |     |
| 4    | 0641608     | 4   | Bolt 3/8 x 1  |     |
| 5    | 4751400     | 3   | Washer 1/4  |     |
| 6    | 4751600     | 8   | Washer 3/8  |     |
| 7    | 1001116456  | 1   | Stack, Exhaust  |     |
| 8    | 1001150561  | 1   | Shield, Heat  |     |
| 9    | 1001157753  | 1   | Steel Hood Installation (See Separate Breakdown in this Section)            |     |

## SECTION 2 - TURNTABLE

FIGURE 2-27. EXHAUST STACK INSTALLATION - STEEL HOOD (DEUTZ TD2.9L4 ENGINES)



ART\_1001238931

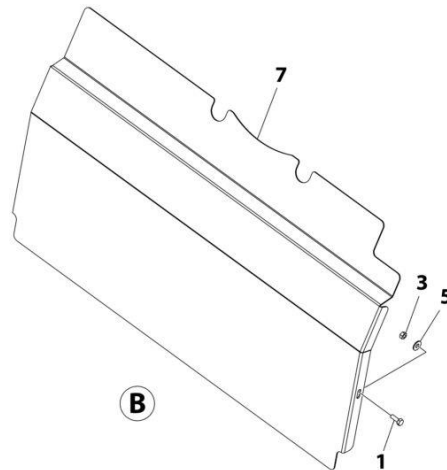
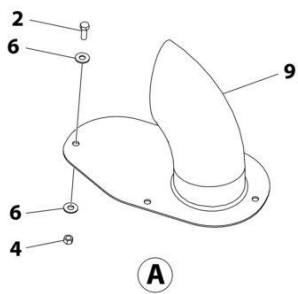
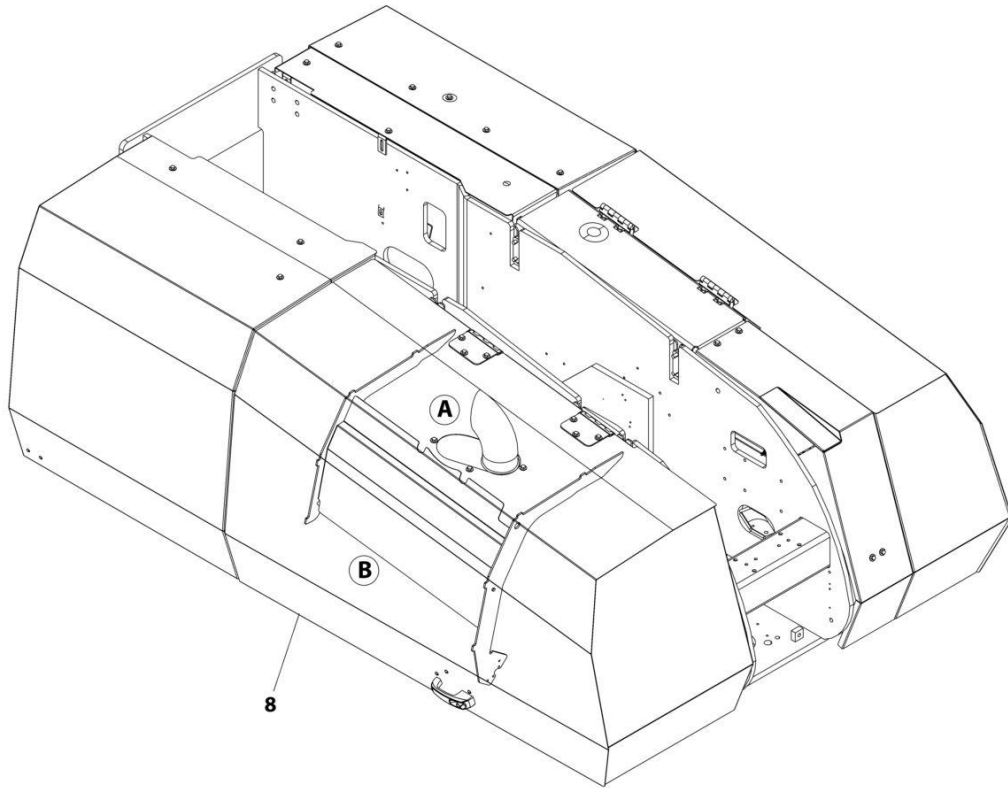
## SECTION 2 - TURNTABLE

**FIGURE 2-27. EXHAUST STACK INSTALLATION - STEEL HOOD (DEUTZ TD2.9L4 ENGINES)**

| ITEM | PART NUMBER | QTY | DESCRIPTION   | REV |
|------|-------------|-----|---|-----|
|      |             | Ref | NOTE: REPLACEMENT DECALS MUST BE PURCHASED SEPARATELY - SEE DECALS SECTION. |     |
|      | 1001238931  | Ref | EXHAUST STACK INSTALLATION - STEEL HOOD                                     | B   |
| 1    | 0641406     | 3   | Bolt 1/4 x 3/4  |     |
| 2    | 0641608     | 4   | Bolt 3/8 x 1  |     |
| 3    | 3311405     | 3   | Nut 1/4   |     |
| 4    | 3311605     | 4   | Nut 3/8   |     |
| 5    | 4751400     | 3   | Washer 1/4  |     |
| 6    | 4751600     | 8   | Washer 3/8  |     |
| 7    | 1001163101  | 1   | Shield, Heat  |     |
| 8    | 1001237194  | 1   | Steel Hood Installation (See Separate Breakdown in this Section)            |     |
| 9    | 1001237259  | 1   | Stack, Exhaust  |     |

## SECTION 2 - TURNTABLE

FIGURE 2-28. EXHAUST STACK INSTALLATION - STEEL HOOD (DEUTZ TD2.9L4 (STAGE V) ENGINES)



ART\_1001237193

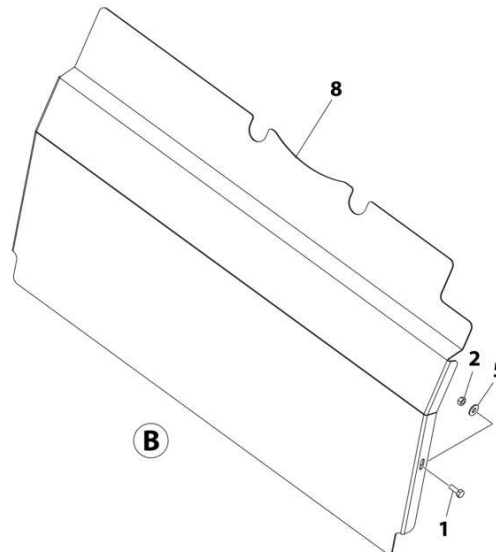
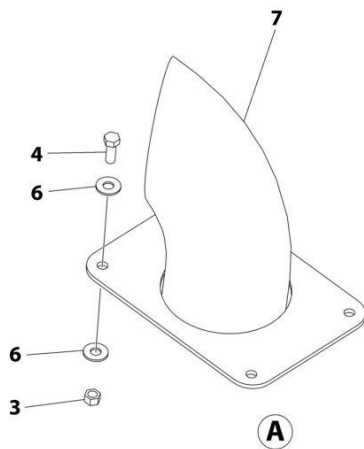
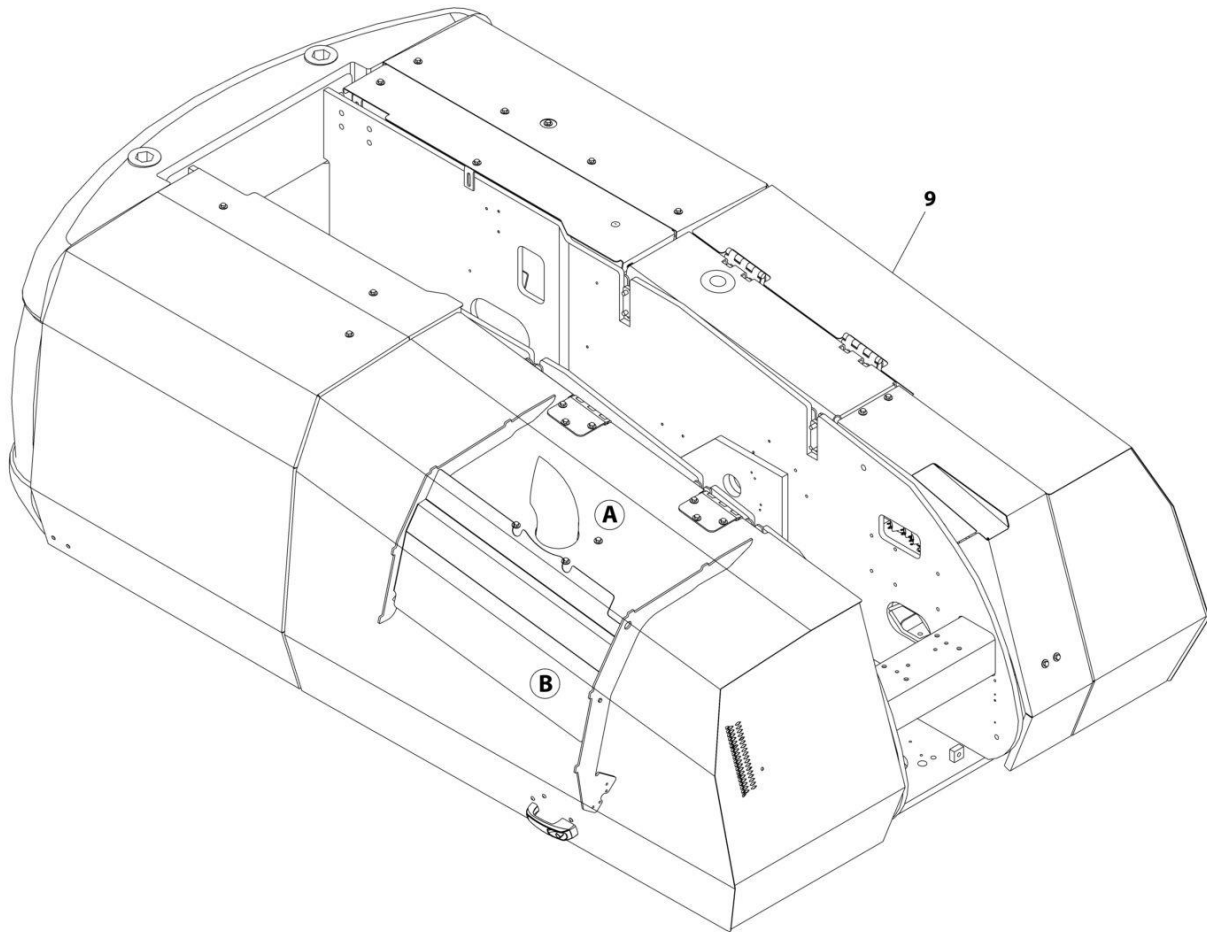
**SECTION 2 - TURNTABLE**

**FIGURE 2-28. EXHAUST STACK INSTALLATION - STEEL HOOD (DEUTZ TD2.9L4 (STAGE V) ENGINES)**

| ITEM | PART NUMBER | QTY | DESCRIPTION   | REV |
|------|-------------|-----|---|-----|
|      |             | Ref | NOTE: REPLACEMENT DECALS MUST BE PURCHASED SEPARATELY - SEE DECALS SECTION. |     |
|      | 1001237193  | Ref | EXHAUST STACK INSTALLATION - STEEL HOOD                                     | B   |
| 1    | 0641406     | 3   | Bolt 1/4 x 3/4  |     |
| 2    | 0641608     | 4   | Bolt 3/8 x 1  |     |
| 3    | 3311405     | 3   | Nut 1/4   |     |
| 4    | 3311605     | 4   | Nut 3/8   |     |
| 5    | 4751400     | 3   | Washer 1/4  |     |
| 6    | 4751600     | 8   | Washer 3/8  |     |
| 7    | 1001163101  | 1   | Shield, Heat  |     |
| 8    | 1001237194  | 1   | Steel Hood Installation (See Separate Breakdown in this Section)            |     |
| 9    | 1001237261  | 1   | Stack, Exhaust  |     |

## SECTION 2 - TURNTABLE

FIGURE 2-29. EXHAUST STACK INSTALLATION - STEEL HOOD WITH HOSTILE ENVIRONMENT MACHINES (DEUTZ TD2.9L4 ENGINES)



ART\_1001173869



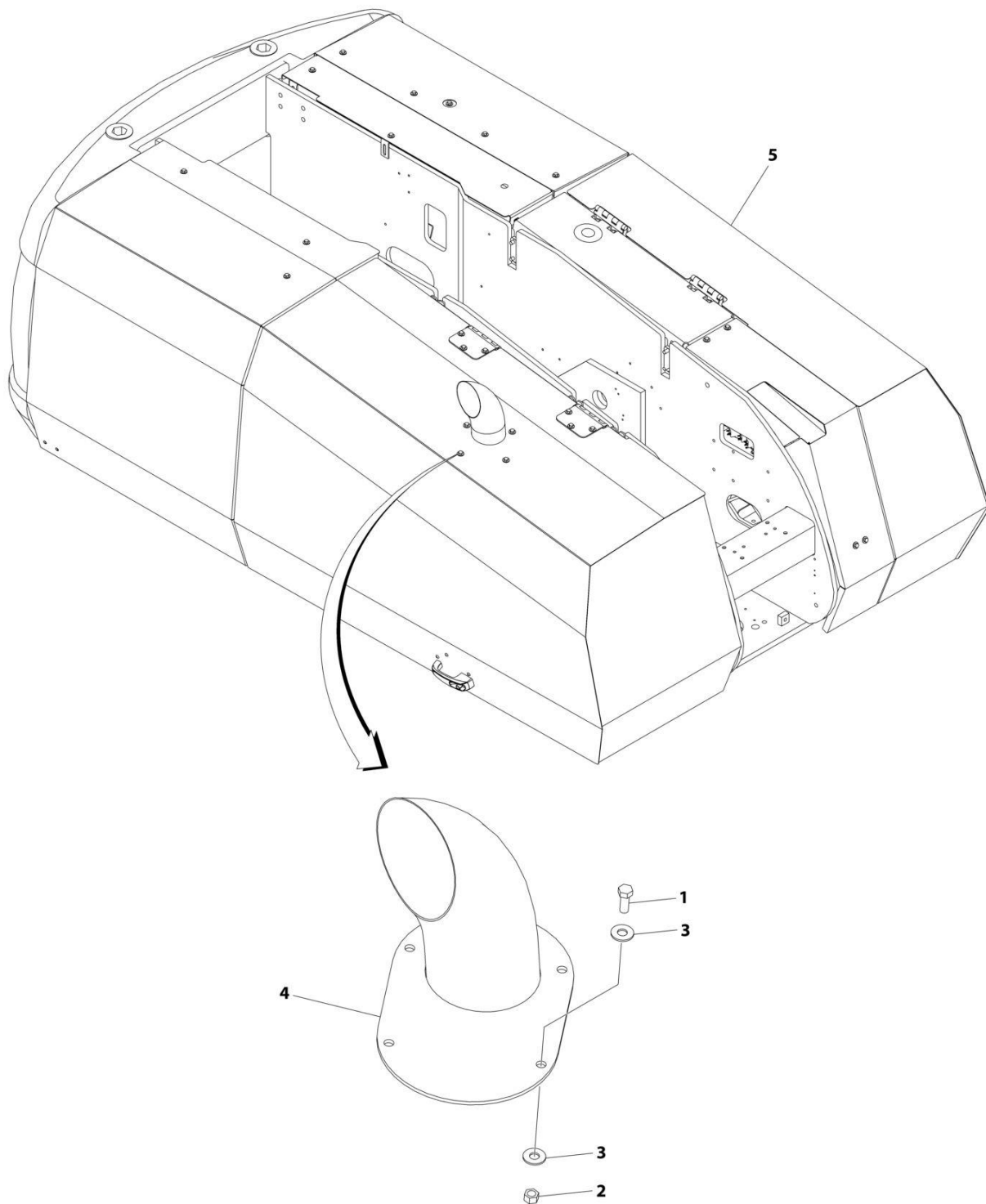
**SECTION 2 - TURNTABLE**

**FIGURE 2-29. EXHAUST STACK INSTALLATION - STEEL HOOD WITH HOSTILE ENVIRONMENT MACHINES (DEUTZ TD2.9L4 ENGINES)**

| ITEM | PART NUMBER | QTY | DESCRIPTION   | REV |
|------|-------------|-----|---|-----|
|      |             | Ref | NOTE: REPLACEMENT DECALS MUST BE PURCHASED SEPARATELY - SEE DECALS SECTION. |     |
|      | 1001173869  | Ref | EXHAUST STACK INSTALLATION - STEEL HOOD                                     | C   |
| 1    | 0641406     | 3   | Bolt 1/4 x 3/4  |     |
| 2    | 3311405     | 3   | Nut 1/4   |     |
| 3    | 3311605     | 4   | Nut 3/8   |     |
| 4    | 0641608     | 4   | Bolt 3/8 x 1  |     |
| 5    | 4751400     | 3   | Washer 1/4  |     |
| 6    | 4751600     | 8   | Washer 3/8  |     |
| 7    | 1001144527  | 1   | Stack, Exhaust  |     |
| 8    | 1001163101  | 1   | Shield, Heat  |     |
| 9    | 1001173870  | 1   | Steel Hood Installation (See Separate Breakdown in this Section)            |     |

## SECTION 2 - TURNTABLE

FIGURE 2-30. EXHAUST STACK INSTALLATION - STEEL HOOD (FORD DF 2.5L ENGINES)



ART\_1001220392

## SECTION 2 - TURNTABLE

**FIGURE 2-30. EXHAUST STACK INSTALLATION - STEEL HOOD (FORD DF 2.5L ENGINES)**

| ITEM | PART NUMBER | QTY | DESCRIPTION  | REV |
|------|-------------|-----|--|-----|
|      |             | Ref | NOTE: REPLACEMENT DECALS MUST BE PURCHASED SEPARATELY - SEE DECALS SECTION |     |
|      | 1001220392  | Ref | EXHAUST STACK INSTALLATION - STEEL HOOD                                    | B   |
| 1    | 0641608     | 4   | Bolt 3/8 x 1   |     |
| 2    | 3311605     | 4   | Nut 3/8  |     |
| 3    | 4751600     | 8   | Washer 3/8   |     |
| 4    | 1001116457  | 1   | Stack, Exhaust   |     |
| 5    | 1001220393  | 1   | Steel Hood Installation (See Separate Breakdown in this Section)           |     |





## SECTION 2 - TURNTABLE

FIGURE 2-31. HOODS INSTALLATION - ABS (DEUTZ D2011 ENGINES)

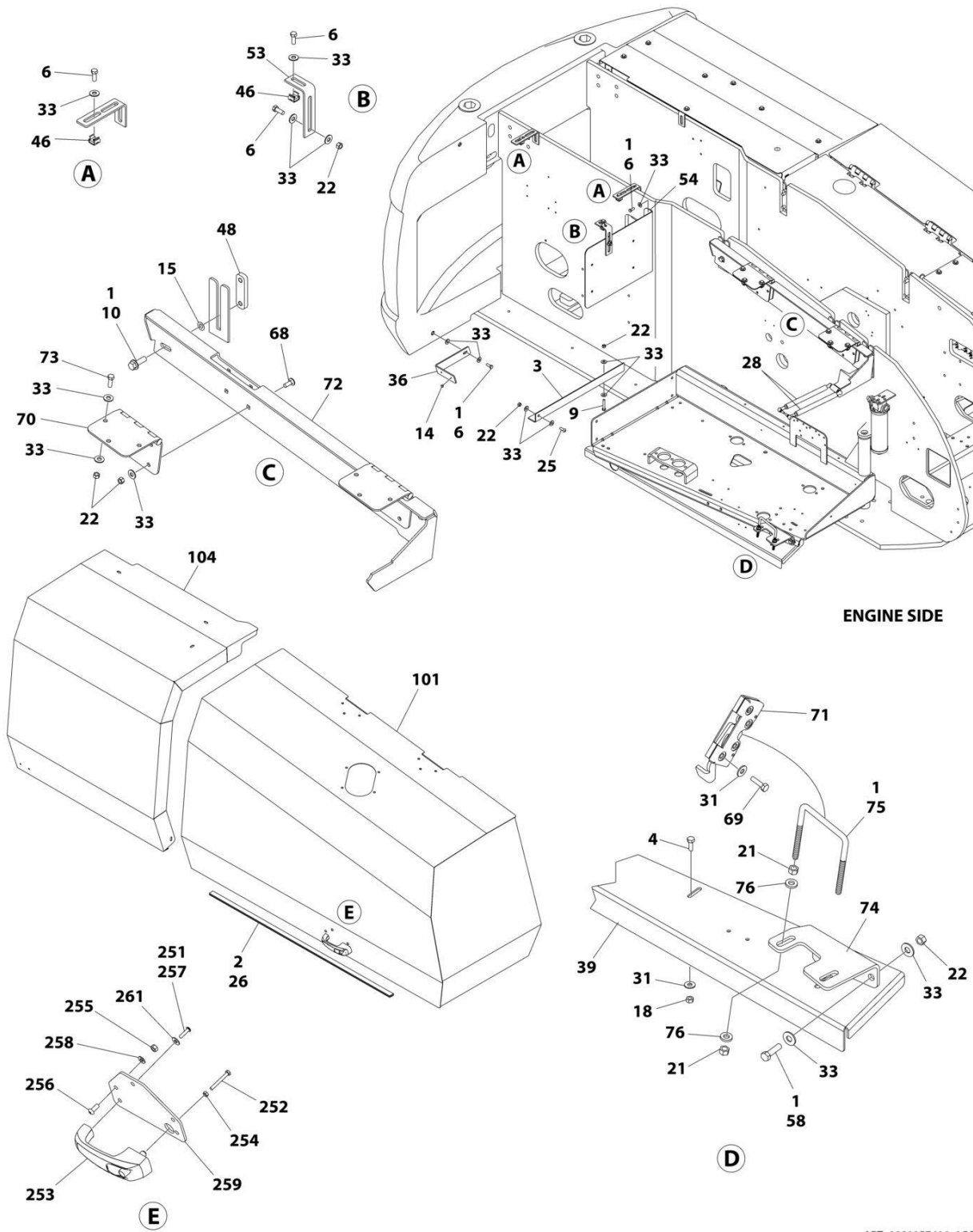
| ITEM | PART NUMBER | QTY             | DESCRIPTION   | REV |
|------|-------------|-----------------|---|-----|
|      |             | Ref             | NOTE: REPLACEMENT DECALS MUST BE PURCHASED SEPARATELY - SEE DECALS SECTION. |     |
|      | 1001157415  | Ref             | HOODS INSTALLATION - DEUTZ D2011 & GM ENGINES                               | F   |
| 1    | 0100011     | AR              | Compound, Locking   |     |
| 2    | 1001161711  | 1               | Angle, Hood Support   |     |
| 3    | 0362770     | 1               | Bar, Panel Mounting   |     |
| 4    | 0811812     | 8               | Bolt 1/2 x 1-1/2  |     |
| 5    | 0641406     | 4               | Bolt 1/4 x 3/4  |     |
| 6    | 0641508     | 6               | Bolt 5/16 x 1   |     |
| 7    | 0641608     | 32              | Bolt 3/8 x 1  |     |
| 8    | 0641609     | 2               | Bolt 3/8 x 1-1/8  |     |
| 9    | 0641610     | 3               | Bolt 3/8 x 1-1/4  |     |
| 10   | 0641616     | 4               | Bolt 3/8 x 2  |     |
| 11   | 0721006     | 6               | Screw #10 x 3/4   |     |
| 12   | 0902219     | 2               | Bracket, Bumper   |     |
| 13   | 0902223     | 1               | Bracket, Latch  |     |
| 14   | 1001207558  | 1               | Bracket, Hood Mounting  |     |
| 15   | 0902412     | 1               | Bracket, Hood Mounting  |     |
| 16   | 0902491     | 1               | Bracket, Latch  |     |
| 17   | 0902673     | 1               | Bracket, Support (Front Cover)  |     |
| 18   | 0902674     | 1               | Bracket, Support (Front Cover)  |     |
| 19   | 0902769     | 1               | Bracket, Bumper Support   |     |
| 20   | 0940071     | 3               | Bumper  |     |
| 21   | 0940088     | 2               | Bumper  |     |
| 22   | 1120601     | 1               | Plug, Cap   |     |
| 23   | 1671201     | 1               | Cover   |     |
| 24   | 1671228     | 1               | Hood Assembly - Tank Side (See Items 201-213 for Breakdown)                 |     |
| 25   | 2540035     | 3               | Grommet   |     |
| 26   | 2600244     | 1               | Hinge, Adapter Panel  |     |
| 27   | 2680490     | 1               | Hood, Right Cover   |     |
| 28   | 2940188     | 3               | Latch, Spring Clip  |     |
| 29   | 3311005     | 6               | Nut #10   |     |
| 30   | 3311405     | 4               | Nut 1/4   |     |
| 31   | 3311505     | 9               | Nut 5/16  |     |
| 32   | 3311601     | 6               | Nut 3/8   |     |
| 33   | 3311605     | 12              | Nut 3/8   |     |
| 34   | 1001150260  | 4               | Plate   |     |
| 35   | 3321501     | 4               | Nut 5/16  |     |
| 36   | 3380444     | 1               | Panel, Adapter  |     |
| 37   | 3380575     | 1               | Panel, Cover  |     |
| 38   | 1001208024  | 1               | Plate, Seal   |     |
| 39   | 3960389     | 3.5 ft/<br>1.1m | Seal (Not Shown)  |     |
| 40   | 3960470     | 1               | Seal, Latch   |     |
| 41   | 4160139     | 2               | Spring, Gas (Tank Side)   |     |
| 42   | 4160143     | 1               | Spring, Gas (Engine Side)   |     |
| 43   | 4711600     | 2               | Washer 3/8  |     |
| 44   | 4740076     | 5               | Washer, Fender  |     |
| 46   | 4751000     | 12              | Washer #10  |     |
| 47   | 4751400     | 4               | Washer 1/4  |     |

## SECTION 2 - TURNTABLE

| ITEM | PART NUMBER | QTY             | DESCRIPTION   | REV |
|------|-------------|-----------------|---|-----|
| 48   | 4751500     | 19              | Washer 5/16   |     |
| 49   | 4751600     | 62              | Washer 3/8  |     |
| 50   | 1001099138  | 1               | Hood Assembly - Engine Side (See Items 101-151 for Breakdown) |     |
| 51   | 1001157021  | 1               | Bracket   |     |
| 52   | 1001157474  | 1               | Bracket   |     |
| 53   | 1001157475  | 1               | Panel   |     |
| 54   | 1001157736  | 1               | Panel   |     |
| 55   | 1001126828  | 6               | Nut, Tinnerman  |     |
| 56   | 0641614     | 3               | Bolt 3/8 x 1-3/4  |     |
|      | 1001099138  | Ref             | HOOD ASSEMBLY (ENGINE SIDE)                                   | C   |
| 101  | 0641606     | 4               | Bolt 3/8 x 3/4  |     |
| 102  | 2820233     | 1               | Insulation, Rear Sound  |     |
| 103  | 0641608     | 6               | Bolt 3/8 x 1  |     |
| 104  | 2820235     | 1               | Insulation, Rear Sound  |     |
| 105  | 3311605     | 2               | Nut 3/8   |     |
| 106  | 3900232     | 2               | Screw, Button Head 3/8 x 1-1/4                                |     |
| 107  | 1001101623  | 1               | Shield, Heat Gasket   |     |
| 108  | 4740500     | 2               | Washer (Special)  |     |
| 109  | 4751600     | 14              | Washer 3/8  |     |
| 110  | 1001099121  | 1               | Tube, Exhaust   |     |
| 111  | 2940088     | 1               | Latch   |     |
| 112  | 1671230     | 1               | Frame, Tubular  |     |
| 113  | 2600209     | 1               | Hinge   |     |
| 114  | 0721008     | 2               | Screw, Machine #10 x 1  |     |
| 115  | 4751000     | 2               | Washer #10  |     |
| 116  | 3311001     | 2               | Nut #10   |     |
| 117  | 2820234     | 1               | Insulation, Center Sound                                      |     |
| 118  | 1321384     | 4               | Hold Down   |     |
| 119  | 3960462     | 61 in/<br>1.55m | Seal  |     |
| 120  | 3960464     | 65 in/<br>1.67m | Seal  |     |
| 121  | 1001101673  | 1               | Insulation  |     |
|      | 1671228     | Ref             | HOOD ASSEMBLY (TANK SIDE)                                     | B   |
| 201  | 1671231     | 1               | Hood  |     |
| 202  | 1671232     | 1               | Frame, Tubular  |     |
| 203  | 2940088     | 2               | Latch   |     |
| 204  | 0721008     | 4               | Screw, Machine #10 x 1  |     |
| 205  | 4751000     | 4               | Washer #10  |     |
| 206  | 3311001     | 4               | Nut #10   |     |
| 207  | 2600233     | 1               | Hinge   |     |
| 208  | 1321384     | 4               | Hold Down   |     |
| 209  | 0641606     | 9               | Bolt 3/8 x 3/4  |     |
| 210  | 4711600     | 9               | Washer 3/8  |     |
| 211  | 3960464     | 65 in/<br>2.11m | Seal  |     |
| 212  | 3960438     | 55 in/1.4m      | Seal  |     |
| 213  | 3960462     | 53 in/<br>1.35m | Seal  |     |
|      | 0272081     | Ref             | NOISE REDUCTION INSTALLATION (DEUTZ ENGINE MACHINES)          | 4-D |
| 301  | 2820078     | 1               | Foam, Acoustical (Not Shown)                                  |     |

# SECTION 2 - TURNTABLE

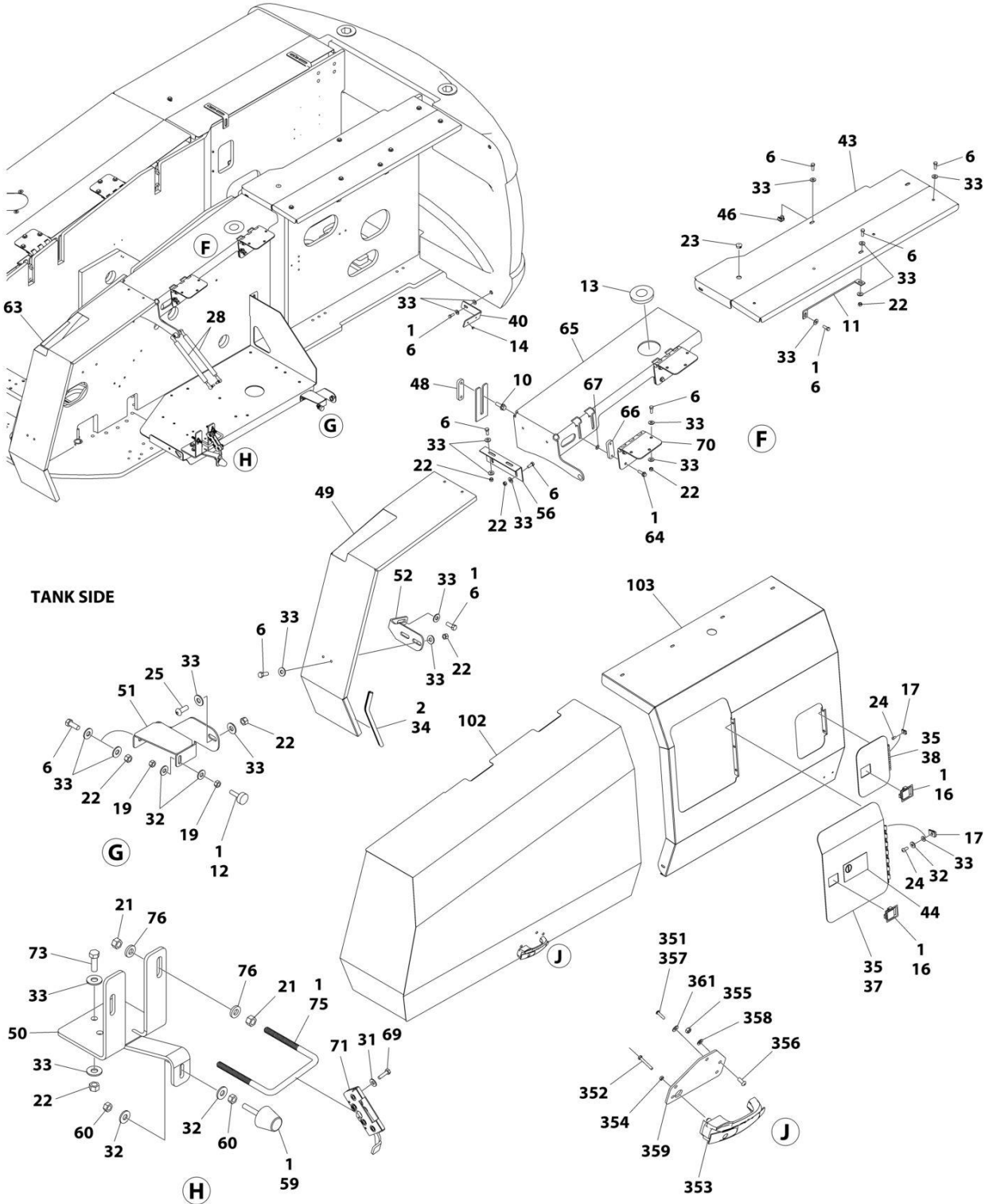
FIGURE 2-32. HOODS INSTALLATION - STEEL (DEUTZ D2011 ENGINES)



ART\_1001157416\_10F2



# SECTION 2 - TURNTABLE



ART\_1001157416\_20F2

## SECTION 2 - TURNTABLE

FIGURE 2-32. HOODS INSTALLATION - STEEL (DEUTZ D2011 ENGINES)

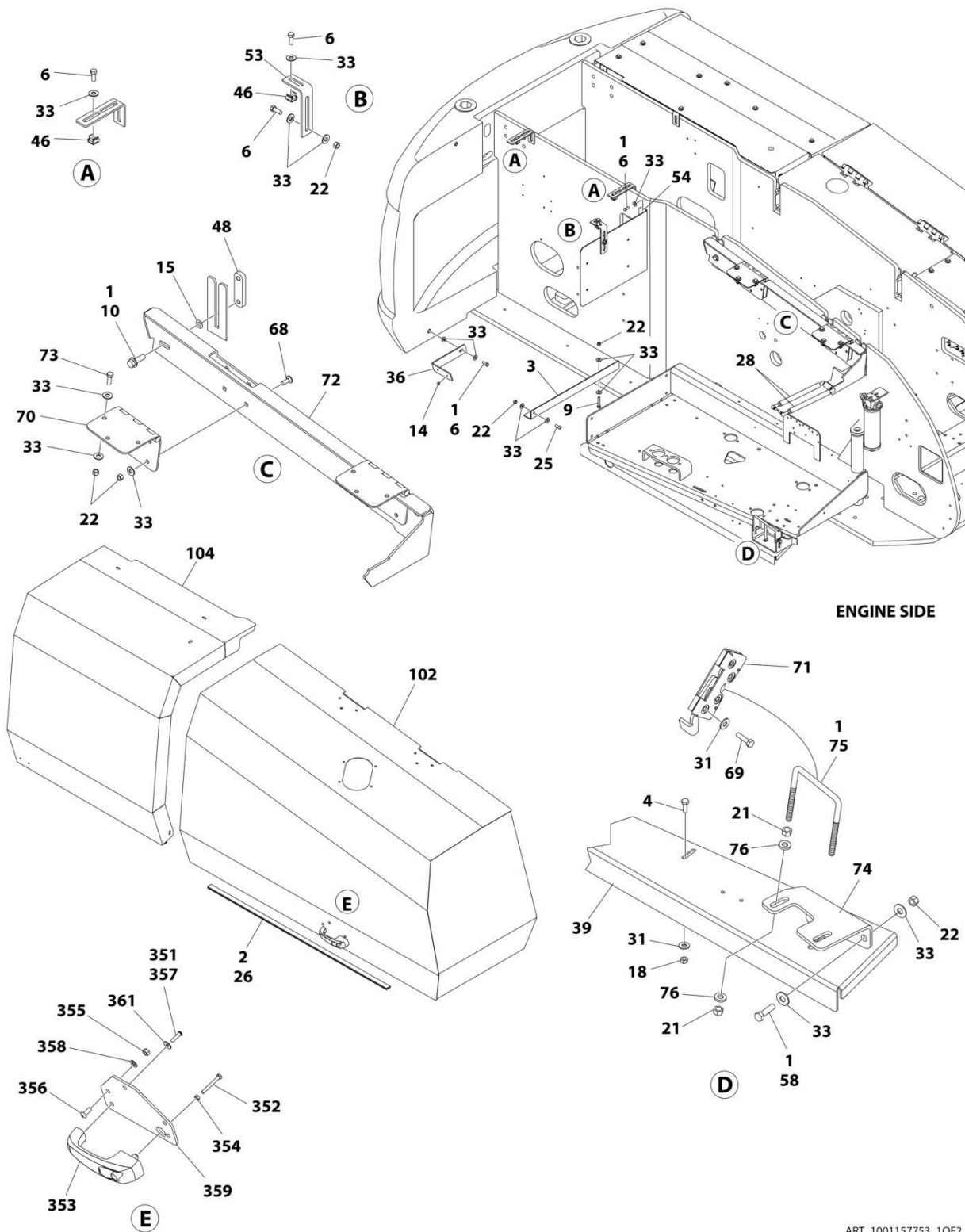
| ITEM | PART NUMBER | QTY          | DESCRIPTION   | REV |
|------|-------------|--------------|---|-----|
|      |             | Ref          | NOTE: REPLACEMENT DECALS MUST BE PURCHASED SEPARATELY - SEE DECALS SECTION. |     |
|      | 1001157416  | Ref          | HOODS INSTALLATION  | I   |
| 1    | 0100011     | AR           | Compound, Locking   |     |
| 2    | 0100081     | AR           | Adhesive  |     |
| 3    | 1001161711  | 1            | Mount   |     |
| 4    | 0641406     | 4            | Bolt 1/4 x 3/4  |     |
| 6    | 0641608     | 31           | Bolt 3/8 x 7/8  |     |
| 9    | 0641616     | 2            | Bolt 3/8 x 2  |     |
| 10   | 0811812     | 8            | Bolt 1/2 x 1-1/2  |     |
| 11   | 0902673     | 1            | Bracket   |     |
| 12   | 0940049     | 1            | Stopper, Hood   |     |
| 13   | 1120601     | 1            | Plug  |     |
| 14   | 2080040     | 4            | Fastener, Huck  |     |
| 15   | 2080072     | 4            | Retainer  |     |
| 16   | 2940045     | 2            | Latch, Paddle   |     |
| 17   | 3300364     | 5            | Nut, Tinnerman  |     |
| 18   | 3311405     | 4            | Nut 1/4   |     |
| 19   | 3311501     | 2            | Nut 5/16  |     |
| 21   | 3311601     | 8            | Nut 3/8   |     |
| 22   | 3311605     | 39           | Nut 3/8   |     |
| 23   | 3520030     | 1            | Plug, Hole  |     |
| 24   | 3900210     | 5            | Screw, Button Head 5/16 x 3/4   |     |
| 25   | 3900316     | 2            | Screw, Button Head 3/8 x 1  |     |
| 26   | 3960389     | 54 in/1.4m   | Seal  |     |
| 28   | 4160194     | 4            | Spring, Gas   |     |
| 31   | 4751400     | 12           | Washer 1/4  |     |
| 32   | 4751500     | 7            | Washer 5/16   |     |
| 33   | 4751600     | 80           | Washer 3/8  |     |
| 34   | 1001110166  | 59 in /1.5mm | Seal  |     |
| 35   | 1001113047  | 84 in /2.14m | Seal  |     |
| 36   | 1001116280  | 1            | Bracket, Hood   |     |
| 37   | 1001116322  | 1            | Door  |     |
| 38   | 1001116344  | 1            | Door  |     |
| 39   | 1001117249  | 1            | Plate, Seal   |     |
| 40   | 1001116358  | 1            | Bracket   |     |
| 43   | 1001117027  | 1            | Bracket   |     |
| 44   | 1001117307  | 1            | Decal - Emergency Stop  |     |
| 46   | 1001126828  | 5            | Nut, Tinnerman  |     |
| 48   | 1001150260  | 4            | Plate   |     |
| 49   | 1001173580  | 1            | Plate   |     |
| 50   | 1001250295  | 1            | Bracket, Striker  |     |
| 51   | 1001157025  | 1            | Bracket   |     |
| 52   | 1001157344  | 1            | Bracket   |     |
| 53   | 1001157474  | 1            | Bracket   |     |
| 54   | 1001157475  | 1            | Panel   |     |
| 56   | 1001157612  | 1            | Bracket   |     |
| 58   | 0641611     | 2            | Bolt 3/8 x 1-3/8  |     |

## SECTION 2 - TURNTABLE

| ITEM | PART NUMBER | QTY       | DESCRIPTION  | REV |
|------|-------------|-----------|--|-----|
| 59   | 0940088     | 1         | Bumper   |     |
| 60   | 3321501     | 2         | Nut 5/16   |     |
| 63   | 4420038     | 6 in/16cm | Tape   |     |
| 64   | 0811610     | 8         | Screw 3/8 x 1-1/4  |     |
| 65   | 1001157284  | 1         | Mount  |     |
| 66   | 1001186251  | 4         | Plate  |     |
| 67   | 8310070     | 8         | Push-nut 3/8   |     |
| 68   | 0630485     | 8         | Bolt, Carriage   |     |
| 69   | 0641408     | 8         | Bolt 1/4 x 1   |     |
| 70   | 1001186254  | 4         | Hinge  |     |
| 71   | 2940173     | 2         | Latch  |     |
| 72   | 1001196768  | 1         | Bracket  |     |
| 73   | 0641609     | 9         | Bolt 3/8 x 1-1/8   |     |
| 74   | 1001250294  | 1         | Bracket  |     |
| 75   | 1001243414  | 2         | Bolt 3/8   |     |
| 76   | 4891600     | 8         | Washer 3/8   |     |
| 100  | 1001174283  | 1         | Hood Kit - Standard Machines (Not Shown - Includes Items 101-104)  | C   |
| 101  | 1001157208  | 1         | Hood Assembly - Engine Side Rear (See Items 251-261 for Breakdown) |     |
| 102  | 1001157209  | 1         | Hood Assembly - Tank Side Rear (See Items 351-361 for Breakdown)   |     |
| 103  | 1001116558  | 1         | Hood - Tank Side Front   |     |
| 104  | 1001116620  | 1         | Hood - Engine Side Front   |     |
|      | 1001157208  | Ref       | HOOD ASSEMBLY - ENGINE SIDE REAR                                   | D   |
| 251  | 0100011     | AR        | Compound, Locking  |     |
| 252  | 0700618     | 1         | Bolt M6 x 50   |     |
| 253  | 2560187     | 1         | Handle, Push Button  |     |
| 254  | 3290601     | 1         | Nut M6   |     |
| 255  | 3311505     | 3         | Nut 5/16   |     |
| 256  | 3900210     | 3         | Screw, Button Head 5/16 x 3/4                                      |     |
| 257  | 3900363     | 2         | Screw, Button Head M6 x 25   |     |
| 258  | 4711500     | 3         | Washer 5/16  |     |
| 259  | 1001116290  | 1         | Plate, Latch Mounting  |     |
| 261  | 4751400     | 2         | Washer 1/4   |     |
|      | 1001157209  | Ref       | HOOD ASSEMBLY - TANK SIDE REAR                                     | B   |
| 351  | 0100011     | AR        | Compound, Locking  |     |
| 352  | 0700617     | 1         | Bolt M6 x 45   |     |
| 353  | 2560187     | 1         | Handle, Push Button  |     |
| 354  | 3290601     | 1         | Nut M6   |     |
| 355  | 3311505     | 3         | Nut 5/16   |     |
| 356  | 3900210     | 3         | Screw, Button Head 5/16 x 3/4                                      |     |
| 357  | 3900363     | 2         | Screw, Button Head M6 x 25   |     |
| 358  | 4711500     | 3         | Washer 5/16  |     |
| 359  | 1001116290  | 1         | Plate, Latch Mounting  |     |
| 361  | 4751400     | 2         | Washer 1/4   |     |
|      | 0272081     | Ref       | NOISE REDUCTION INSTALLATION (DEUTZ ENGINE MACHINES)               | 4-D |
| 401  | 2820078     | 1         | Foam, Acoustical (Not Shown)                                       |     |

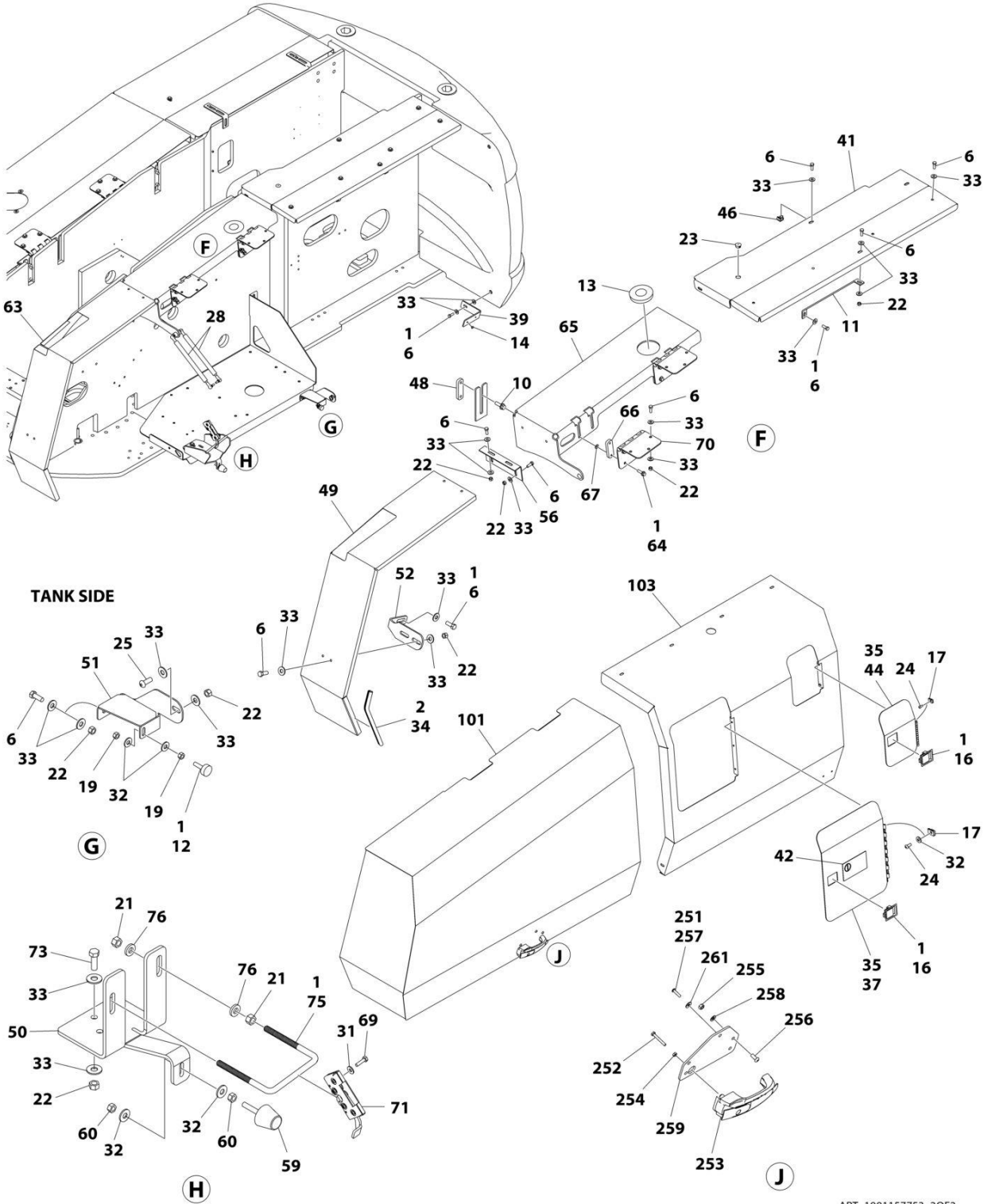
# SECTION 2 - TURNTABLE

## FIGURE 2-33. HOODS INSTALLATION - STEEL WITH HOSTILE ENVIRONMENT MACHINES (DEUTZ D2011 ENGINES)



ART\_1001157753\_10F2

# SECTION 2 - TURNTABLE



ART\_1001157753\_20F2

## SECTION 2 - TURNTABLE

**FIGURE 2-33. HOODS INSTALLATION - STEEL WITH HOSTILE ENVIRONMENT MACHINES (DEUTZ D2011 ENGINES)**

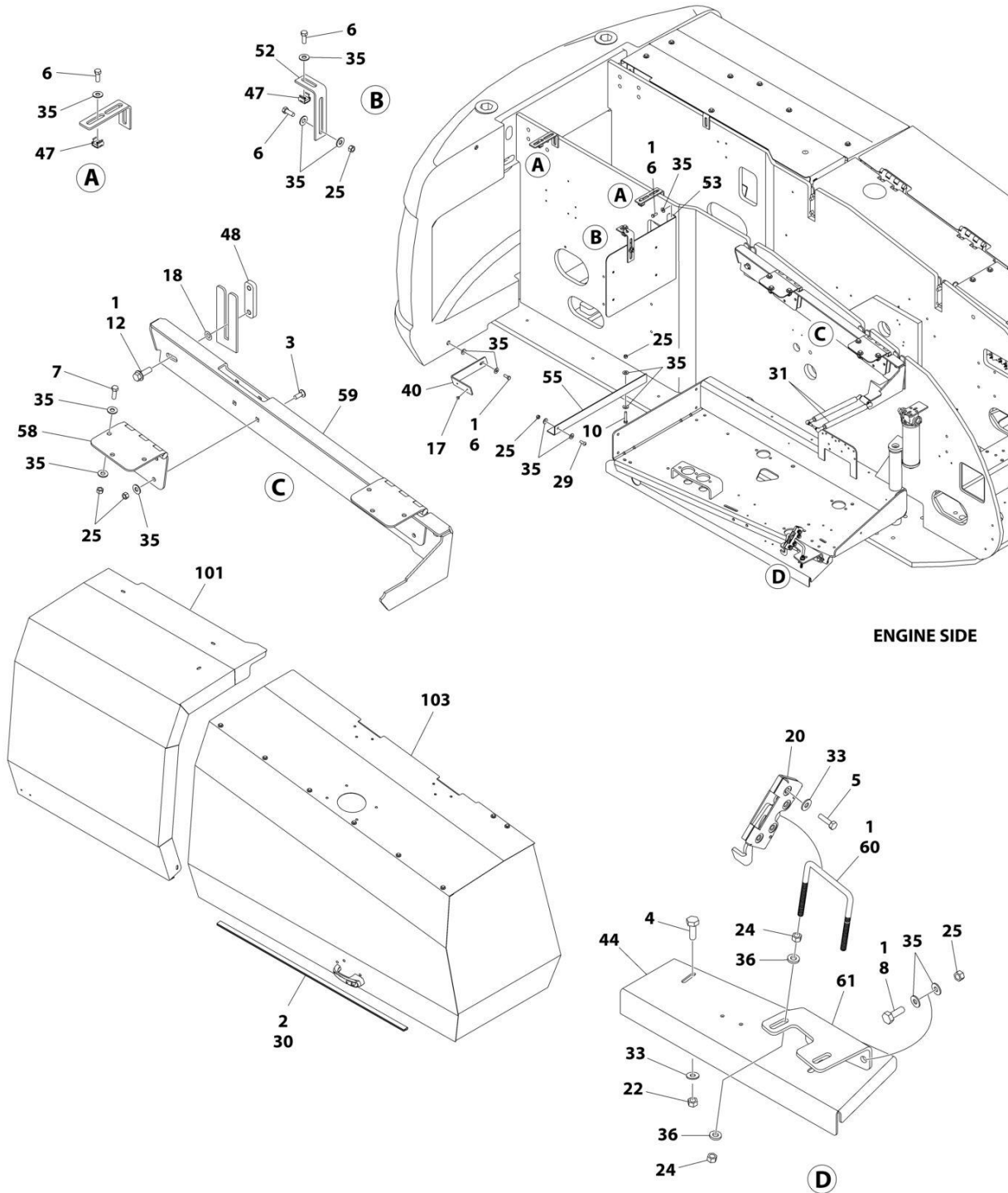
| ITEM | PART NUMBER | QTY          | DESCRIPTION   | REV |
|------|-------------|--------------|---|-----|
|      |             | Ref          | NOTE: REPLACEMENT DECALS MUST BE PURCHASED SEPARATELY - SEE DECALS SECTION. |     |
|      | 1001157753  | Ref          | HOODS INSTALLATIONS   | H   |
| 1    | 0100011     | AR           | Compound, Locking   |     |
| 2    | 0100081     | AR           | Adhesive  |     |
| 3    | 1001161711  | 1            | Mount   |     |
| 4    | 0641406     | 4            | Bolt 1/4 x 3/4  |     |
| 6    | 0641608     | 31           | Bolt 3/8 x 7/8  |     |
| 9    | 0641616     | 2            | Bolt 3/8 x 2  |     |
| 10   | 0811812     | 8            | Bolt 1/2 x 1-1/2  |     |
| 11   | 0902673     | 1            | Bracket   |     |
| 12   | 0940049     | 1            | Stopper, Hood   |     |
| 13   | 1120601     | 1            | Plug  |     |
| 14   | 2080040     | 4            | Fastener, Huck  |     |
| 15   | 2080072     | 4            | Retainer  |     |
| 16   | 2940045     | 2            | Latch, Paddle   |     |
| 17   | 3300364     | 5            | Nut, Tinnerman  |     |
| 18   | 3311405     | 4            | Nut 1/4   |     |
| 19   | 3311501     | 2            | Nut 5/16  |     |
| 21   | 3311601     | 1            | Nut 3/8   |     |
| 22   | 3311605     | 39           | Nut 3/8   |     |
| 23   | 3520030     | 1            | Plug, Hole  |     |
| 24   | 3900210     | 5            | Screw, Button Head 5/16 x 3/4   |     |
| 25   | 3900316     | 2            | Screw, Button Head 3/8 x 1  |     |
| 26   | 3960389     | 54 in/1.4m   | Seal  |     |
| 28   | 4160194     | 4            | Spring, Gas   |     |
| 31   | 4751400     | 12           | Washer 1/4  |     |
| 32   | 4751500     | 7            | Washer 5/16   |     |
| 33   | 4751600     | 80           | Washer 3/8  |     |
| 34   | 1001110166  | 59 in /1.5mm | Seal  |     |
| 35   | 1001113047  | 84 in /2.14m | Seal  |     |
| 36   | 1001116280  | 1            | Bracket, Hood   |     |
| 37   | 1001116322  | 1            | Door  |     |
| 38   | 1001117249  | 1            | Plate, Seal   |     |
| 39   | 1001116358  | 1            | Bracket   |     |
| 41   | 1001117027  | 1            | Bracket   |     |
| 42   | 1001117307  | 1            | Decal - Emergency Stop  |     |
| 44   | 1001125501  | 1            | Door  |     |
| 46   | 1001126828  | 5            | Nut, Tinnerman  |     |
| 48   | 1001150260  | 4            | Plate   |     |
| 49   | 1001173580  | 1            | Plate   |     |
| 50   | 1001250295  | 1            | Bracket, Striker  |     |
| 51   | 1001157025  | 1            | Bracket   |     |
| 52   | 1001157344  | 1            | Bracket   |     |
| 53   | 1001157474  | 1            | Bracket   |     |
| 54   | 1001157475  | 1            | Panel   |     |
| 56   | 1001157612  | 1            | Bracket   |     |

## SECTION 2 - TURNTABLE

| ITEM | PART NUMBER | QTY       | DESCRIPTION  | REV |
|------|-------------|-----------|--|-----|
| 58   | 0641611     | 2         | Bolt 3/8 x 1-3/8   |     |
| 59   | 0940088     | 1         | Bumper   |     |
| 60   | 3321501     | 2         | Nut 5/16   |     |
| 63   | 4420038     | 6 in/16cm | Tape   |     |
| 64   | 0811610     | 8         | Screw 3/8 x 1-1/4  |     |
| 65   | 1001157284  | 1         | Mount  |     |
| 66   | 1001186251  | 4         | Plate  |     |
| 67   | 8310070     | 8         | Push-nut 3/8   |     |
| 68   | 0630485     | 8         | Bolt, Carriage   |     |
| 69   | 0641408     | 8         | Bolt 1/4 x 1   |     |
| 70   | 1001186254  | 4         | Hinge  |     |
| 71   | 2940173     | 2         | Latch  |     |
| 72   | 1001196768  | 1         | Bracket  |     |
| 73   | 0641609     | 9         | Bolt 3/8 x 1-1/8   |     |
| 74   | 1001250294  | 1         | Bracket  |     |
| 75   | 1001243414  | 2         | Bolt 3/8   |     |
| 76   | 4891600     | 8         | Washer 3/8   |     |
| 100  | 1001174282  | 1         | Hood Kit - Hostile Environment Machines (Not Shown - Includes Items 101-104) | C   |
| 101  | 1001157209  | 1         | Hood Assembly - Tank Side Rear (See Items 251-261 for Breakdown)             |     |
| 102  | 1001157208  | 1         | Hood Assembly - Engine Side Rear (See Items 351-361 for Breakdown)           | D   |
| 103  | 1001125502  | 1         | Hood - Tank Side Front   |     |
| 104  | 1001116620  | 1         | Hood - Engine Side Front   |     |
|      | 1001157209  | Ref       | HOOD ASSEMBLY - TANK SIDE REAR   | B   |
| 251  | 0100011     | AR        | Compound, Locking  |     |
| 252  | 0700617     | 1         | Bolt M6 x 45   |     |
| 253  | 2560187     | 1         | Handle, Push Button  |     |
| 254  | 3290601     | 1         | Nut M6   |     |
| 255  | 3311505     | 3         | Nut 5/16   |     |
| 256  | 3900210     | 3         | Screw, Button Head 5/16 x 3/4  |     |
| 257  | 3900363     | 2         | Screw, Button Head M6 x 25   |     |
| 258  | 4711500     | 3         | Washer 5/16  |     |
| 259  | 1001116290  | 1         | Plate, Latch Mounting  |     |
| 261  | 4751400     | 2         | Washer 1/4   |     |
|      | 1001157208  | Ref       | HOOD ASSEMBLY - ENGINE SIDE REAR   |     |
| 351  | 0100011     | AR        | Compound, Locking  |     |
| 352  | 0700618     | AR        | Bolt M6 x 50   |     |
| 353  | 2560187     | 1         | Handle, Push Button  |     |
| 354  | 3290601     | 1         | Nut M6   |     |
| 355  | 3311505     | 3         | Nut 5/16   |     |
| 356  | 3900210     | 3         | Screw, Button Head 5/16 x 3/4  |     |
| 357  | 3900363     | 2         | Screw, Button Head M6 x 25   |     |
| 358  | 4711500     | 3         | Washer 5/16  |     |
| 359  | 1001116290  | 1         | Plate, Latch Mounting  |     |
| 361  | 4751400     | 2         | Washer 1/4   |     |
|      | 0272081     | Ref       | NOISE REDUCTION INSTALLATION (DEUTZ ENGINE MACHINES)                         | 4-D |
| 401  | 2820078     | 1         | Foam, Acoustical (Not Shown)   |     |

# SECTION 2 - TURNTABLE

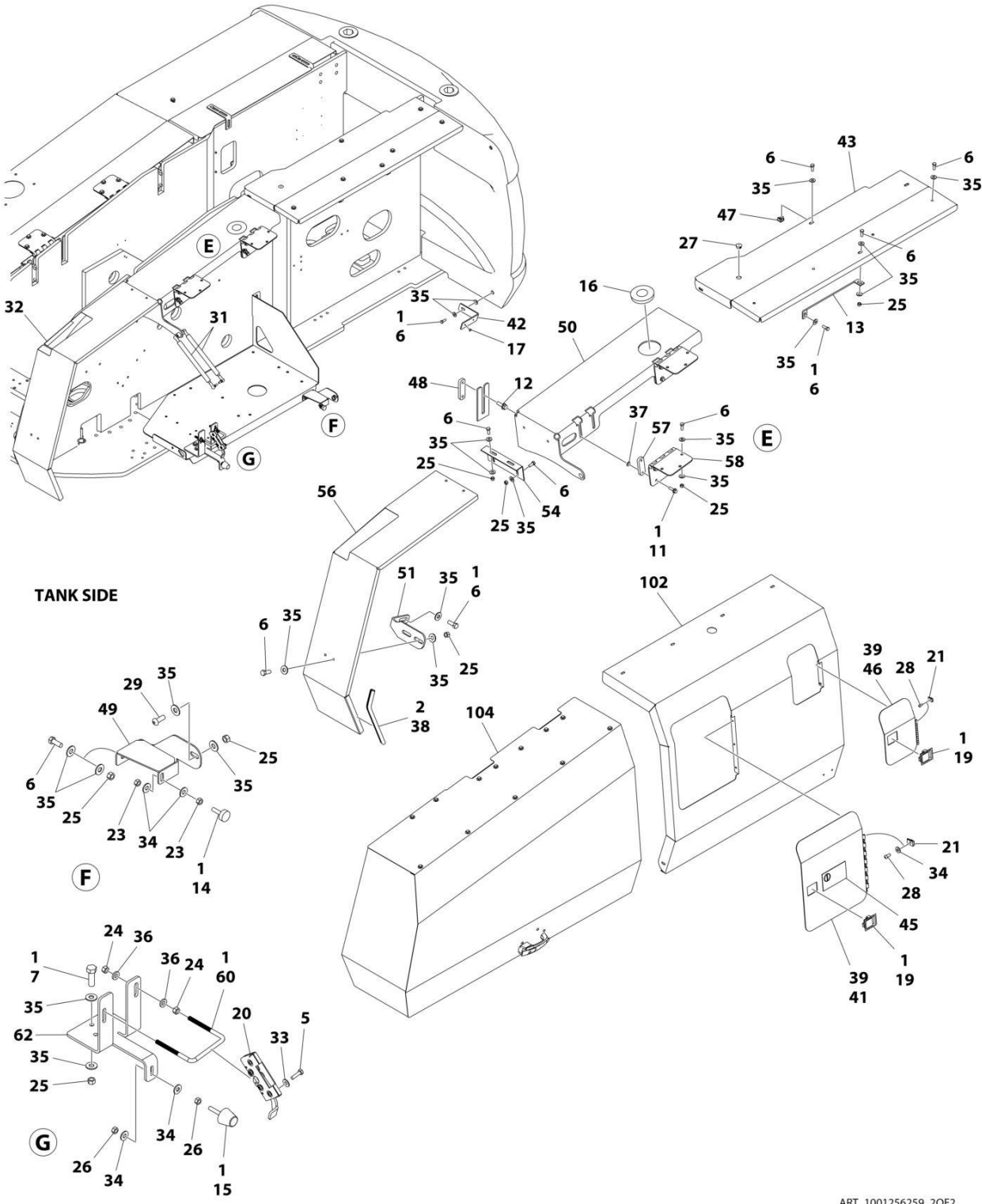
## FIGURE 2-34. HOODS INSTALLATION – STEEL WITH HOSTILE ENVIRONMENT MACHINES (DEUTZ TD2.9L4 ENGINES)



ART\_1001256259\_10F2



# SECTION 2 - TURNTABLE



ART\_1001256259\_20F2

## SECTION 2 - TURNTABLE

**FIGURE 2-34. HOODS INSTALLATION – STEEL WITH HOSTILE ENVIRONMENT MACHINES (DEUTZ TD2.9L4 ENGINES)**

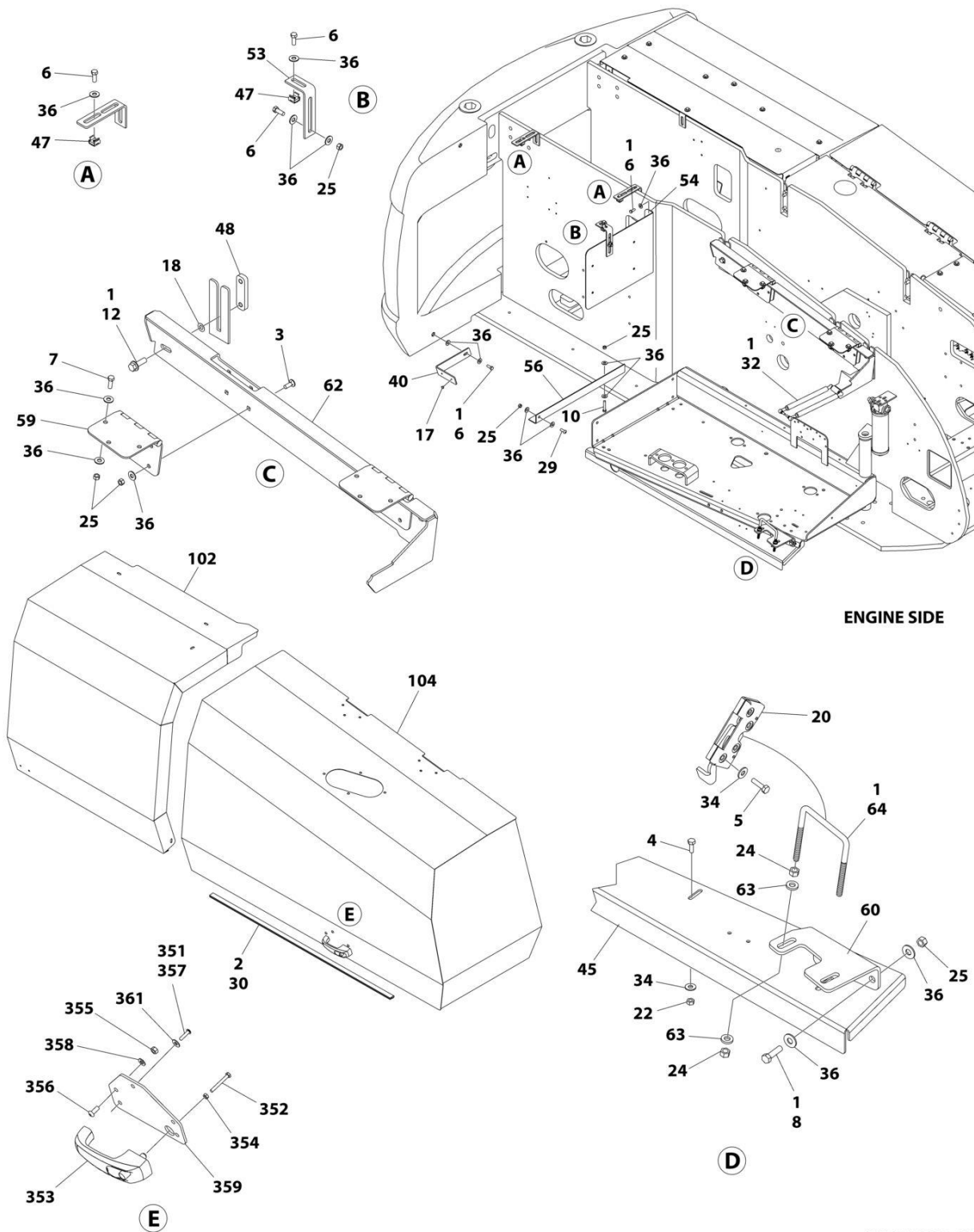
| ITEM | PART NUMBER | QTY             | DESCRIPTION   | REV |
|------|-------------|-----------------|---|-----|
|      |             | Ref             | NOTE: REPLACEMENT DECALS MUST BE PURCHASED SEPARATELY - SEE DECALS SECTION. |     |
|      | 1001256259  | Ref             | HOODS INSTALLATIONS   | B   |
| 1    | 0100011     | AR              | Compound, Locking   |     |
| 2    | 0100081     | AR              | Adhesive  |     |
| 3    | 0630485     | 8               | Bolt, Carriage  |     |
| 4    | 0641406     | 4               | Bolt 1/4 x 3/4  |     |
| 5    | 0641408     | 8               | Bolt 1/4 x 1  |     |
| 6    | 0641608     | 31              | Bolt 3/8 x 7/8  |     |
| 7    | 0641609     | 9               | Bolt 3/8 x 1-1/8  |     |
| 8    | 0641611     | 2               | Bolt 3/8 x 1-3/8  |     |
| 10   | 0641616     | 2               | Bolt 3/8 x 2  |     |
| 11   | 0811610     | 8               | Screw 3/8 x 1-1/4   |     |
| 12   | 0811812     | 8               | Bolt 1/2 x 1-1/2  |     |
| 13   | 0902673     | 1               | Bracket   |     |
| 14   | 0940049     | 1               | Stopper, Hood   |     |
| 15   | 0940088     | 1               | Bumper  |     |
| 16   | 1120601     | 1               | Plug  |     |
| 17   | 2080040     | 4               | Fastener, Huck  |     |
| 18   | 2080072     | 4               | Retainer  |     |
| 19   | 2940045     | 2               | Latch, Paddle   |     |
| 20   | 2940173     | 2               | Latch   |     |
| 21   | 3300364     | 5               | Nut, Tinnerman  |     |
| 22   | 3311405     | 4               | Nut 1/4   |     |
| 23   | 3311501     | 2               | Nut 5/16  |     |
| 24   | 3311601     | 8               | Nut 3/8   |     |
| 25   | 3311605     | 39              | Nut 3/8   |     |
| 26   | 3321501     | 2               | Nut 5/16  |     |
| 27   | 3520030     | 1               | Plug, Hole  |     |
| 28   | 3900210     | 5               | Screw, Button Head 5/16 x 3/4   |     |
| 29   | 3900316     | 2               | Screw, Button Head 3/8 x 1  |     |
| 30   | 3960389     | 54 in/1.4m      | Seal  |     |
| 31   | 4160194     | 4               | Spring, Gas   |     |
| 32   | 4420038     | 6 in/16cm       | Tape  |     |
| 33   | 4751400     | 12              | Washer 1/4  |     |
| 34   | 4751500     | 7               | Washer 5/16   |     |
| 35   | 4751600     | 80              | Washer 3/8  |     |
| 36   | 4891600     | 8               | Washer 3/8  |     |
| 37   | 8310070     | 8               | Push-nut 3/8  |     |
| 38   | 1001110166  | 59 in<br>/1.5mm | Seal  |     |
| 39   | 1001113047  | 84 in<br>/2.14m | Seal  |     |
| 40   | 1001116280  | 1               | Bracket, Hood   |     |
| 41   | 1001116322  | 1               | Door  |     |
| 42   | 1001116358  | 1               | Bracket   |     |
| 43   | 1001117027  | 1               | Bracket   |     |
| 44   | 1001117249  | 1               | Plate, Seal   |     |
| 45   | 1001117307  | 1               | Decal - Emergency Stop  |     |

## SECTION 2 - TURNTABLE

| ITEM | PART NUMBER | QTY | DESCRIPTION  | REV |
|------|-------------|-----|--|-----|
| 46   | 1001125501  | 1   | Door   |     |
| 47   | 1001126828  | 5   | Nut, Tinnerman   |     |
| 48   | 1001150260  | 4   | Plate  |     |
| 49   | 1001157025  | 1   | Bracket  |     |
| 50   | 1001157284  | 1   | Mount  |     |
| 51   | 1001157344  | 1   | Bracket  |     |
| 52   | 1001157474  | 1   | Bracket  |     |
| 53   | 1001157475  | 1   | Panel  |     |
| 54   | 1001157612  | 1   | Bracket  |     |
| 55   | 1001161711  | 1   | Mount  |     |
| 56   | 1001173580  | 1   | Plate  |     |
| 57   | 1001186251  | 4   | Plate  |     |
| 58   | 1001186254  | 4   | Hinge  |     |
| 59   | 1001196768  | 1   | Bracket  |     |
| 60   | 1001243414  | 2   | Bolt 3/8   |     |
| 61   | 1001250294  | 1   | Bracket  |     |
| 62   | 1001250295  | 1   | Bracket  |     |
| 100  | 1001256258  | 1   | Hood Kit - Hostile Environment Machines (Not Shown - Includes Items 101-104) |     |
| 101  | 1001116620  | 1   | Hood - Engine Side Front   |     |
| 102  | 1001125502  | 1   | Hood - Tank Side Front   |     |
| 103  | 1001244463  | 1   | Hood Assembly - Engine Side Rear (See Separate Breakdown in this Section)    |     |
| 104  | 1001244465  | 1   | Hood Assembly - Tank Side Rear (See Separate Breakdown in this Section)      |     |

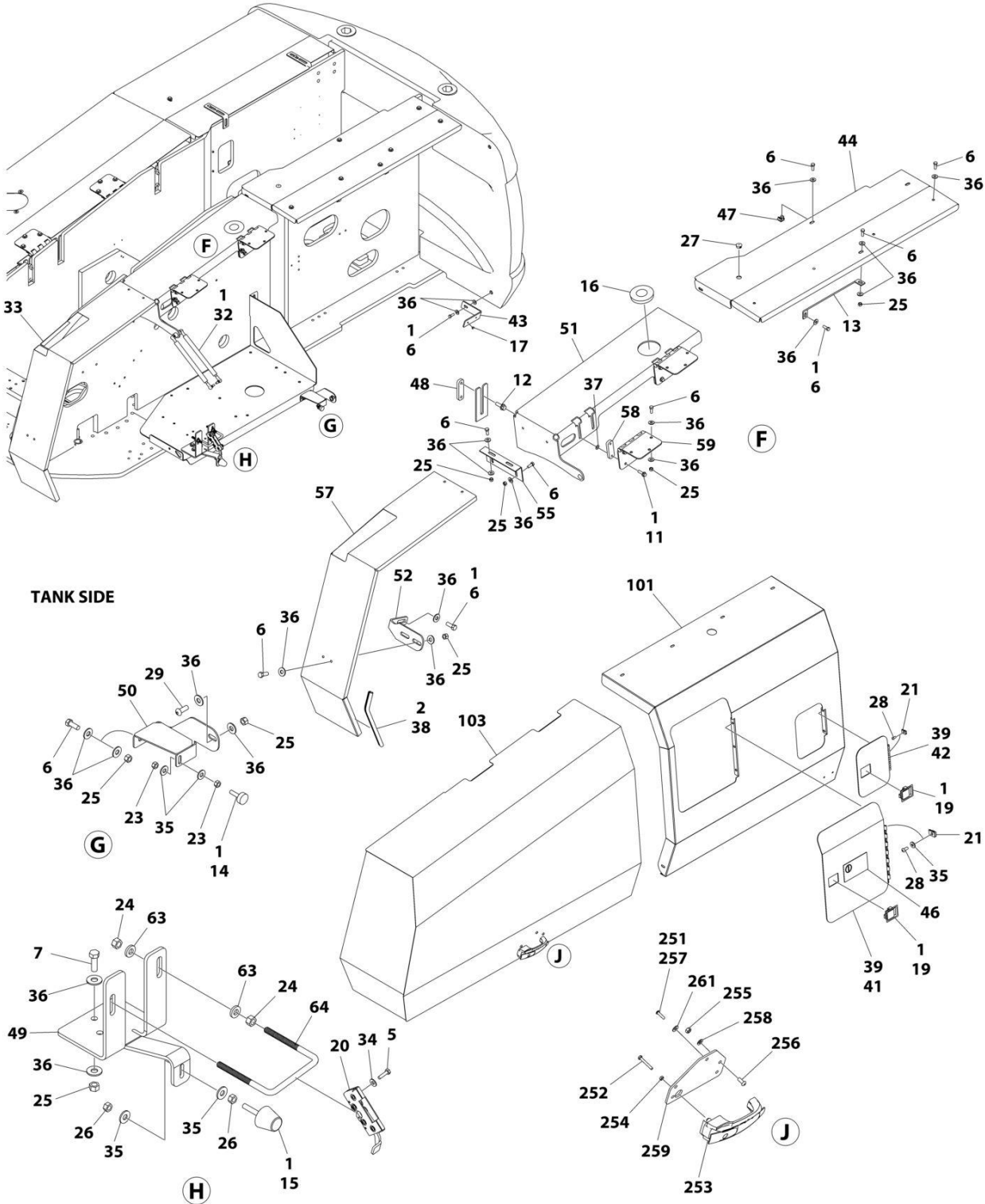
# SECTION 2 - TURNTABLE

## FIGURE 2-35. HOODS INSTALLATION – STEEL (DEUTZ TD2.9L4 AND DEUTZ TD2.9L4 (STAGE V) ENGINES)



ART\_1001237194\_10F2

# SECTION 2 - TURNTABLE



ART\_1001237194\_20F2

## SECTION 2 - TURNTABLE

**FIGURE 2-35. HOODS INSTALLATION – STEEL (DEUTZ TD2.9L4 AND DEUTZ TD2.9L4 (STAGE V) ENGINES)**

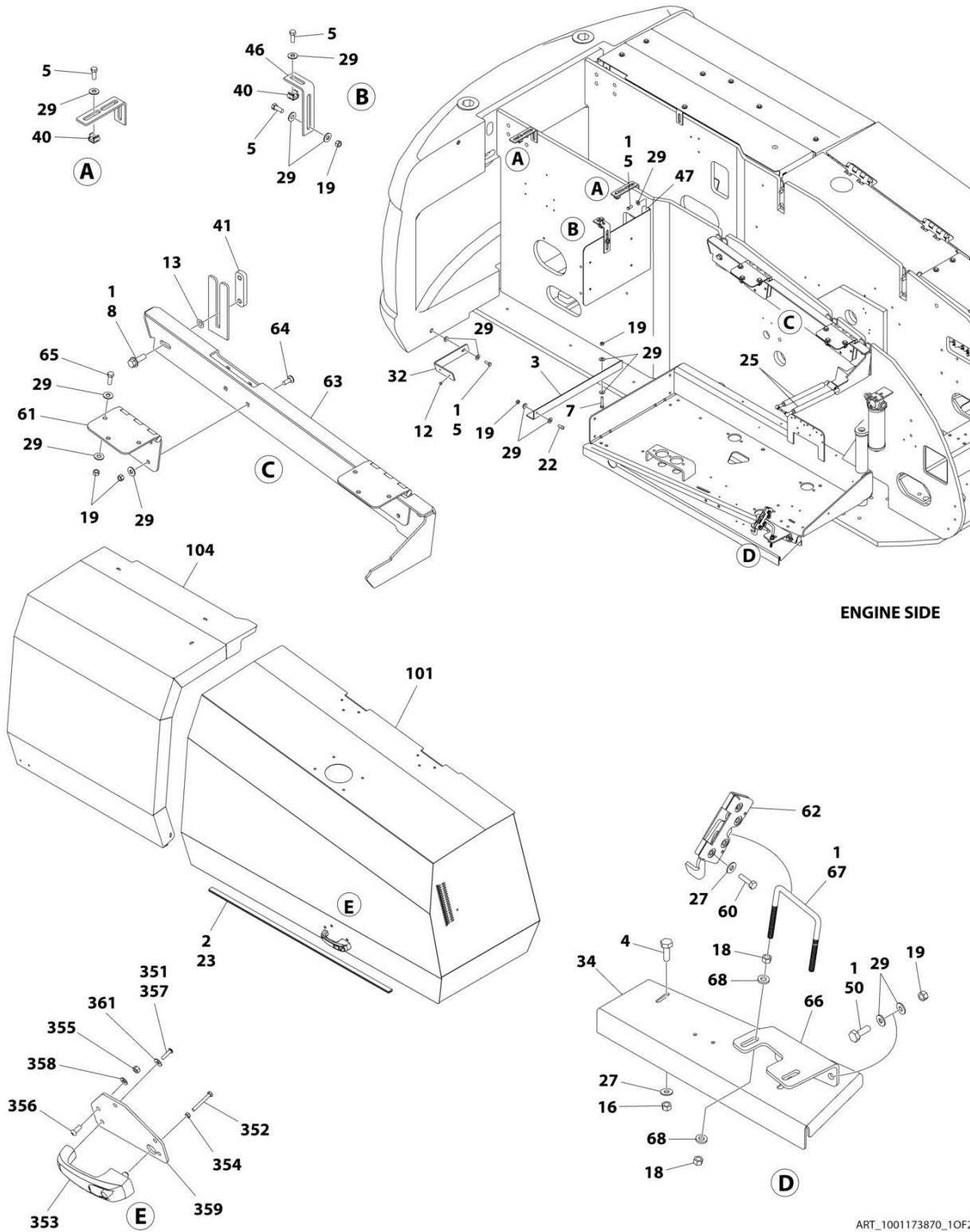
| ITEM | PART NUMBER | QTY          | DESCRIPTION   | REV |
|------|-------------|--------------|---|-----|
|      |             | Ref          | NOTE: REPLACEMENT DECALS MUST BE PURCHASED SEPARATELY - SEE DECALS SECTION. |     |
|      | 1001237194  | Ref          | HOODS INSTALLATION  | C   |
| 1    | 0100011     | AR           | Compound, Locking   |     |
| 2    | 0100081     | AR           | Adhesive  |     |
| 3    | 0630485     | 8            | Bolt, Carriage  |     |
| 4    | 0641406     | 4            | Bolt 1/4 x 3/4  |     |
| 5    | 0641408     | 8            | Bolt 1/4 x 1  |     |
| 6    | 0641608     | 30           | Bolt 3/8 x 7/8  |     |
| 7    | 0641609     | 9            | Bolt 3/8 x 1-1/8  |     |
| 8    | 0641611     | 2            | Bolt 3/8 x 1-3/8  |     |
| 10   | 0641616     | 2            | Bolt 3/8 x 2  |     |
| 11   | 0811610     | 8            | Screw 3/8 x 1-1/4   |     |
| 12   | 0811812     | 8            | Bolt 1/2 x 1-1/2  |     |
| 13   | 0902673     | 1            | Bracket   |     |
| 14   | 0940049     | 1            | Stopper, Hood   |     |
| 15   | 0940088     | 1            | Bumper  |     |
| 16   | 1120601     | 1            | Plug  |     |
| 17   | 2080040     | 4            | Fastener, Huck  |     |
| 18   | 2080072     | 4            | Retainer  |     |
| 19   | 2940045     | 2            | Latch, Paddle   |     |
| 20   | 2940173     | 2            | Latch   |     |
| 21   | 3300364     | 5            | Nut, Tinnerman  |     |
| 22   | 3311405     | 4            | Nut 1/4   |     |
| 23   | 3311501     | 2            | Nut 5/16  |     |
| 24   | 3311601     | 8            | Nut 3/8   |     |
| 25   | 3311605     | 39           | Nut 3/8   |     |
| 26   | 3321501     | 2            | Nut 5/16  |     |
| 27   | 3520030     | 1            | Plug, Hole  |     |
| 28   | 3900210     | 5            | Screw, Button Head 5/16 x 3/4   |     |
| 29   | 3900316     | 3            | Screw, Button Head 3/8 x 1  |     |
| 30   | 3960389     | 54 in/1.4m   | Seal  |     |
| 32   | 4160194     | 4            | Spring, Gas   |     |
| 33   | 4420038     | 6 in/16cm    | Tape  |     |
| 34   | 4751400     | 12           | Washer 1/4  |     |
| 35   | 4751500     | 7            | Washer 5/16   |     |
| 36   | 4751600     | 79           | Washer 3/8  |     |
| 37   | 8310070     | 8            | Push-nut 3/8  |     |
| 38   | 1001110166  | 59 in /1.5mm | Seal  |     |
| 39   | 1001113047  | 84 in /2.14m | Seal  |     |
| 40   | 1001116280  | 1            | Bracket, Hood   |     |
| 41   | 1001116322  | 1            | Door  |     |
| 42   | 1001116344  | 1            | Door  |     |
| 43   | 1001116358  | 1            | Bracket   |     |
| 44   | 1001117027  | 1            | Bracket   |     |
| 45   | 1001117249  | 1            | Plate, Seal   |     |
| 46   | 1001117307  | 1            | Decal - Emergency Stop  |     |

## SECTION 2 - TURNTABLE

| ITEM | PART NUMBER | QTY | DESCRIPTION  | REV |
|------|-------------|-----|--|-----|
| 47   | 1001126828  | 5   | Nut, Tinnerman   |     |
| 48   | 1001150260  | 4   | Plate  |     |
| 49   | 1001250295  | 1   | Bracket  |     |
| 50   | 1001157025  | 1   | Bracket  |     |
| 51   | 1001157284  | 1   | Mount  |     |
| 52   | 1001157344  | 1   | Bracket  |     |
| 53   | 1001157474  | 1   | Bracket  |     |
| 54   | 1001157475  | 1   | Panel  |     |
| 55   | 1001157612  | 1   | Bracket  |     |
| 56   | 1001161711  | 1   | Mount  |     |
| 57   | 1001173580  | 1   | Plate  |     |
| 58   | 1001186251  | 4   | Plate  |     |
| 59   | 1001186254  | 4   | Hinge  |     |
| 60   | 1001250294  | 1   | Bracket  |     |
| 62   | 1001196768  | 1   | Bracket  |     |
| 63   | 4891600     | 8   | Washer 3/8   |     |
| 64   | 1001243414  | 2   | Bolt 3/8   |     |
| 100  | 1001237286  | 1   | Hood Kit - Standard Machines (Not Shown - Includes Items 101-104)  |     |
| 101  | 1001116558  | 1   | Hood - Tank Side Front   |     |
| 102  | 1001116620  | 1   | Hood - Engine Side Front   |     |
| 103  | 1001157209  | 1   | Hood Assembly - Tank Side Rear (See Items 351-361 for Breakdown)   |     |
| 104  | 1001237205  | 1   | Hood Assembly - Engine Side Rear (See Items 351-361 for Breakdown) |     |
|      | 1001157209  | Ref | HOOD ASSEMBLY - TANK SIDE REAR                                     | B   |
| 251  | 0100011     | AR  | Compound, Locking  |     |
| 252  | 0700617     | 1   | Bolt M6 x 45   |     |
| 253  | 2560187     | 1   | Handle, Push Button  |     |
| 254  | 3290601     | 1   | Nut M6   |     |
| 255  | 3311505     | 3   | Nut 5/16   |     |
| 256  | 3900210     | 3   | Screw, Button Head 5/16 x 3/4                                      |     |
| 257  | 3900363     | 2   | Screw, Button Head M6 x 25   |     |
| 258  | 4711500     | 3   | Washer 5/16  |     |
| 259  | 1001116290  | 1   | Plate, Latch Mounting  |     |
| 261  | 4751400     | 2   | Washer 1/4   |     |
|      | 1001237205  | Ref | HOOD ASSEMBLY - ENGINE SIDE REAR                                   | B   |
| 351  | 0100011     | AR  | Compound, Locking  |     |
| 252  | 0700618     | 1   | Bolt M6 x 50   |     |
| 353  | 2560187     | 1   | Handle, Push Button  |     |
| 354  | 3290601     | 1   | Nut M6   |     |
| 355  | 3311505     | 3   | Nut 5/16   |     |
| 356  | 3900210     | 3   | Screw, Button Head 5/16 x 3/4                                      |     |
| 357  | 3900363     | 2   | Screw, Button Head M6 x 25   |     |
| 358  | 4711500     | 3   | Washer 5/16  |     |
| 359  | 1001116290  | 1   | Plate, Latch Mounting  |     |
| 361  | 4751400     | 2   | Washer 1/4   |     |

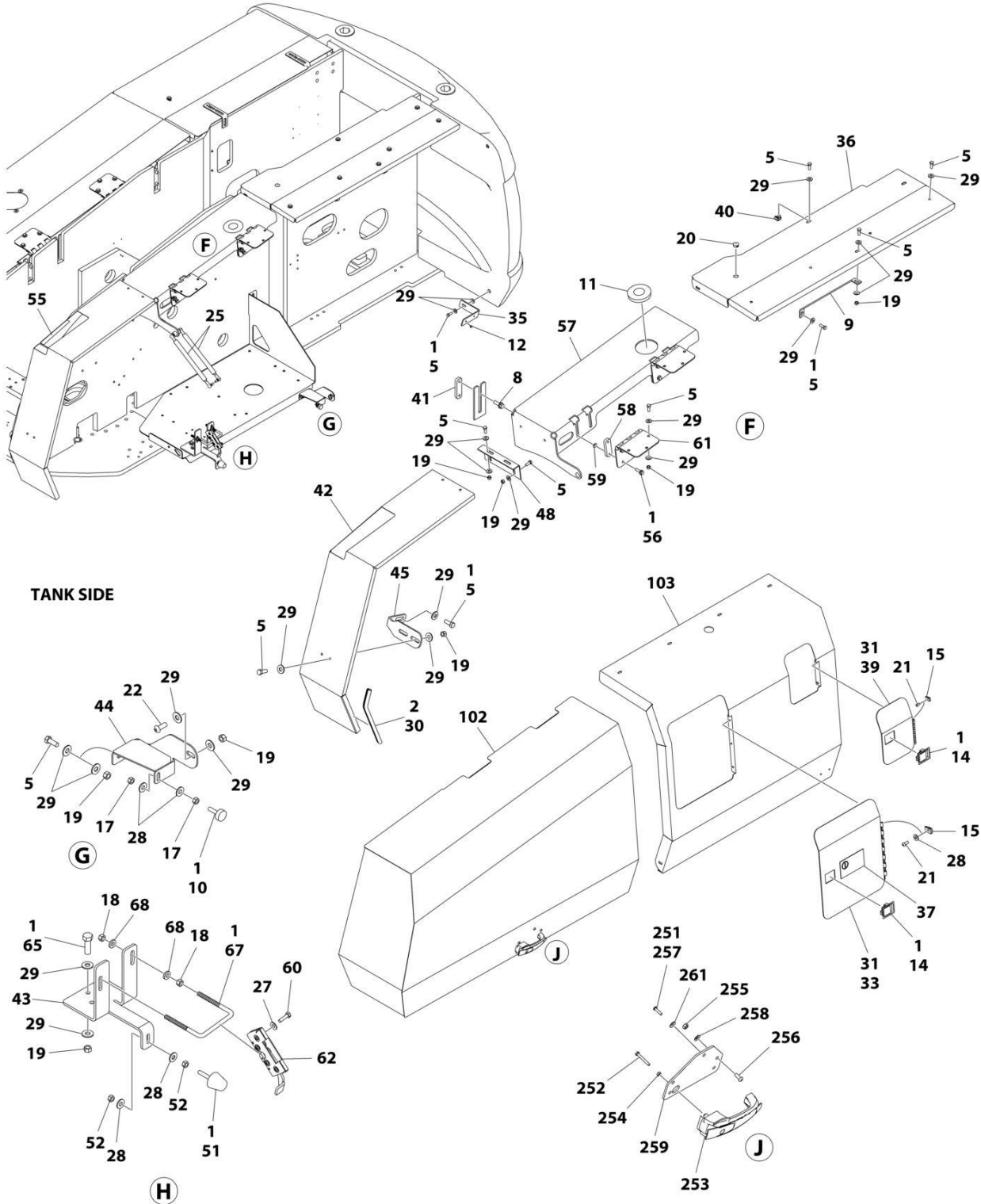
# SECTION 2 - TURNTABLE

## FIGURE 2-36. HOODS INSTALLATION – STEEL WITH HOSTILE ENVIRONMENT MACHINES (DEUTZ TD2.9L4 ENGINES)





# SECTION 2 - TURNTABLE



ART\_1001173870\_20F2

## SECTION 2 - TURNTABLE

**FIGURE 2-36. HOODS INSTALLATION – STEEL WITH HOSTILE ENVIRONMENT MACHINES (DEUTZ TD2.9L4 ENGINES)**

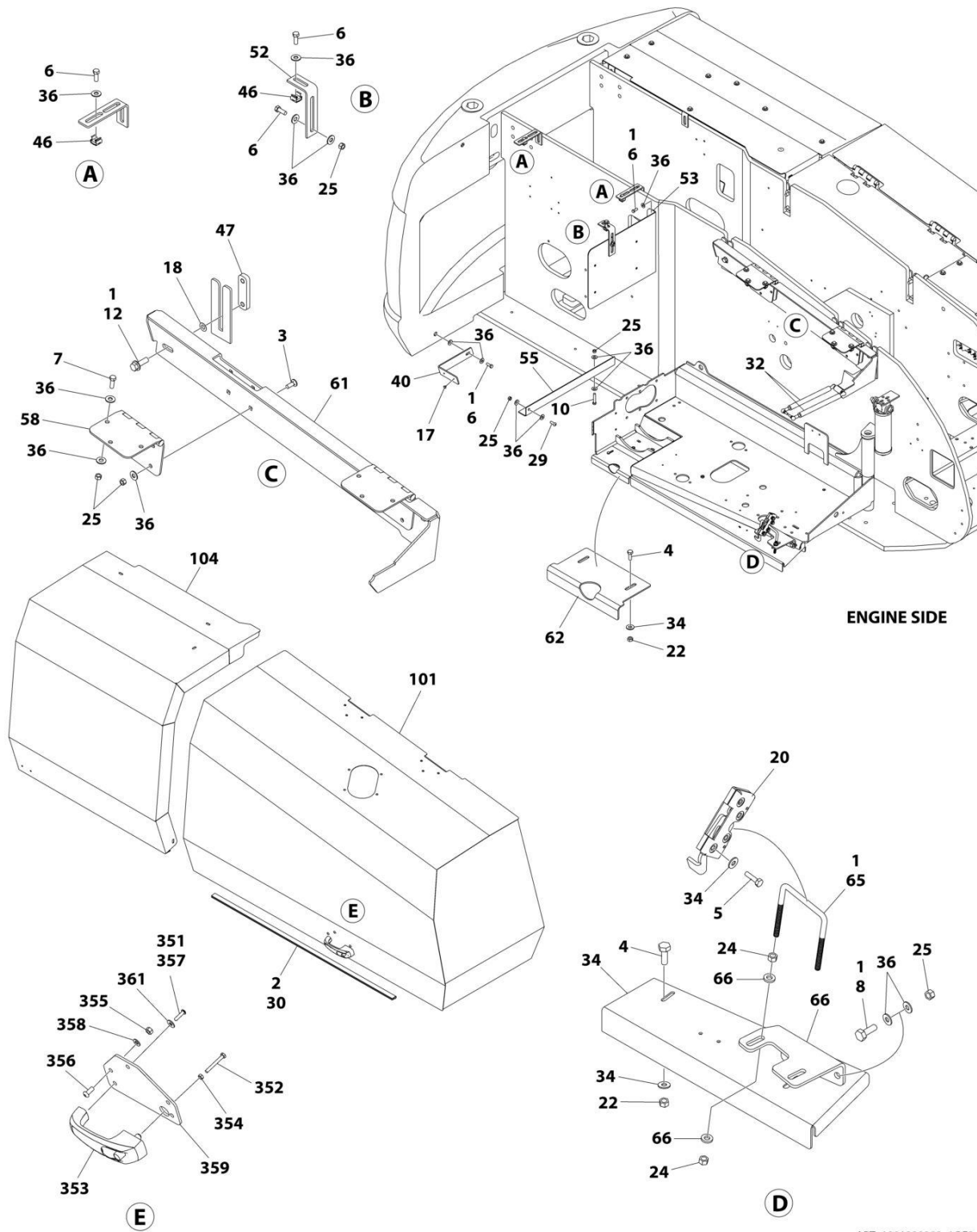
| ITEM | PART NUMBER | QTY             | DESCRIPTION   | REV |
|------|-------------|-----------------|---|-----|
|      |             | Ref             | NOTE: REPLACEMENT DECALS MUST BE PURCHASED SEPARATELY - SEE DECALS SECTION. |     |
|      | 1001173870  | Ref             | HOODS INSTALLATION  | F   |
| 1    | 0100011     | AR              | Compound, Locking   |     |
| 2    | 0100081     | AR              | Adhesive  |     |
| 3    | 1001161711  | 1               | Mount   |     |
| 4    | 0641406     | 4               | Bolt 1/4 x 3/4  |     |
| 5    | 0641608     | 31              | Bolt 3/8 x 7/8  |     |
| 7    | 0641616     | 2               | Bolt 3/8 x 2  |     |
| 8    | 0811812     | 8               | Bolt 1/2 x 1-1/2  |     |
| 9    | 0902673     | 1               | Bracket   |     |
| 10   | 0940049     | 1               | Stopper, Hood   |     |
| 11   | 1120601     | 1               | Plug  |     |
| 12   | 2080040     | 4               | Fastener, Huck  |     |
| 13   | 2080072     | 4               | Retainer  |     |
| 14   | 2940045     | 2               | Latch, Paddle   |     |
| 15   | 3300364     | 5               | Nut, Tinnerman  |     |
| 16   | 3311405     | 4               | Nut 1/4   |     |
| 17   | 3311501     | 2               | Nut 5/16  |     |
| 18   | 3311601     | 8               | Nut 3/8   |     |
| 19   | 3311605     | 39              | Nut 3/8   |     |
| 20   | 3520030     | 1               | Plug, Hole  |     |
| 21   | 3900210     | 5               | Screw, Button Head 5/16 x 3/4   |     |
| 22   | 3900316     | 2               | Screw, Button Head 3/8 x 1  |     |
| 23   | 3960389     | 54 in/1.4m      | Seal  |     |
| 25   | 4160194     | 4               | Spring, Gas   |     |
| 27   | 4751400     | 12              | Washer 1/4  |     |
| 28   | 4751500     | 7               | Washer 5/16   |     |
| 29   | 4751600     | 80              | Washer 3/8  |     |
| 30   | 1001110166  | 59 in<br>/1.5mm | Seal  |     |
| 31   | 1001113047  | 84 in<br>/2.14m | Seal  |     |
| 32   | 1001116280  | 1               | Bracket, Hood   |     |
| 33   | 1001116322  | 1               | Door  |     |
| 34   | 1001117249  | 1               | Plate, Seal   |     |
| 35   | 1001116358  | 1               | Bracket   |     |
| 36   | 1001117027  | 1               | Bracket   |     |
| 37   | 1001117307  | 1               | Decal - Emergency Stop  |     |
| 39   | 1001125501  | 1               | Door  |     |
| 40   | 1001126828  | 5               | Nut, Tinnerman  |     |
| 41   | 1001150260  | 4               | Plate   |     |
| 42   | 1001173580  | 1               | Plate   |     |
| 43   | 1001250295  | 1               | Bracket, Striker  |     |
| 44   | 1001157025  | 1               | Bracket   |     |
| 45   | 1001157344  | 1               | Bracket   |     |
| 46   | 1001157474  | 1               | Bracket   |     |
| 47   | 1001157475  | 1               | Panel   |     |
| 48   | 1001157612  | 1               | Bracket   |     |

## SECTION 2 - TURNTABLE

| ITEM | PART NUMBER | QTY       | DESCRIPTION   | REV |
|------|-------------|-----------|---|-----|
| 50   | 0641611     | 2         | Bolt 3/8 x 1-3/8  |     |
| 51   | 0940088     | 1         | Bumper  |     |
| 52   | 3321501     | 2         | Nut 5/16  |     |
| 55   | 4420038     | 6 in/16cm | Tape  |     |
| 56   | 0811610     | 8         | Screw 3/8 x 1-1/4   |     |
| 57   | 1001157284  | 1         | Mount   |     |
| 58   | 1001186251  | 4         | Plate   |     |
| 59   | 8310070     | 8         | Pushnut 3/8in   |     |
| 60   | 0641408     | 8         | Bolt 1/4 x 1  |     |
| 61   | 1001186254  | 4         | Hinge   |     |
| 62   | 2940173     | 2         | Latch   |     |
| 63   | 1001196768  | 1         | Bracket   |     |
| 64   | 0630485     | 8         | Bolt, Carriage  |     |
| 65   | 0641609     | 6         | Bolt 3/8 x 1-1/8  |     |
| 66   | 1001250294  | 1         | Bracket   |     |
| 67   | 1001243414  | 2         | Bolt 3/8  |     |
| 68   | 4891600     | 8         | Screw 3/8   |     |
| 100  | 1001174101  | 1         | Hood Kit - Hostile Environment Machines(Not Shown - Includes Items 101-104) | C   |
| 101  | 1001162915  | 1         | Hood Assembly - Engine Side Rear (See Items 251-261 for Breakdown)          |     |
| 102  | 1001157209  | 1         | Hood Assembly - Tank Side Rear (See Items 351-361 for Breakdown)            |     |
| 103  | 1001125502  | 1         | Hood - Tank Side Front  |     |
| 104  | 1001116620  | 1         | Hood - Engine Side Front  |     |
|      | 1001162915  | Ref       | HOOD ASSEMBLY - ENGINE SIDE REAR  | C   |
| 251  | 0100011     | AR        | Compound, Locking   |     |
| 252  | 0700618     | 1         | Bolt M6 x 50  |     |
| 253  | 2560187     | 1         | Handle, Push Button   |     |
| 254  | 3290601     | 1         | Nut M6  |     |
| 255  | 3311505     | 3         | Nut 5/16  |     |
| 256  | 3900210     | 3         | Screw, Button Head 5/16 x 3/4   |     |
| 257  | 3900363     | 2         | Screw, Button Head M6 x 25  |     |
| 258  | 4711500     | 3         | Washer 5/16   |     |
| 259  | 1001116290  | 1         | Plate, Latch Mounting   |     |
| 261  | 4751400     | 2         | Washer 1/4  |     |
|      | 1001157209  | Ref       | HOOD ASSEMBLY - TANK SIDE REAR  | B   |
| 351  | 0100011     | 1         | Compound, Locking   |     |
| 352  | 0700617     | 1         | Bolt M6 x 45  |     |
| 353  | 2560187     | 1         | Handle, Push Button   |     |
| 354  | 3290601     | 1         | Nut M6  |     |
| 355  | 3311505     | 3         | Nut 5/16  |     |
| 356  | 3900210     | 3         | Screw, Button Head 5/16 x 3/4   |     |
| 357  | 3900363     | 2         | Screw, Button Head M6 x 25  |     |
| 358  | 4711500     | 3         | Washer 5/16   |     |
| 359  | 1001116290  | 1         | Plate, Latch Mounting   |     |
| 361  | 4751400     | 2         | Washer 1/4  |     |
|      | 0272081     | Ref       | NOISE REDUCTION INSTALLATION (DEUTZ ENGINE MACHINES)                        | 4-D |
| 401  | 2820078     | 1         | Foam, Acoustical (Not Shown)  |     |

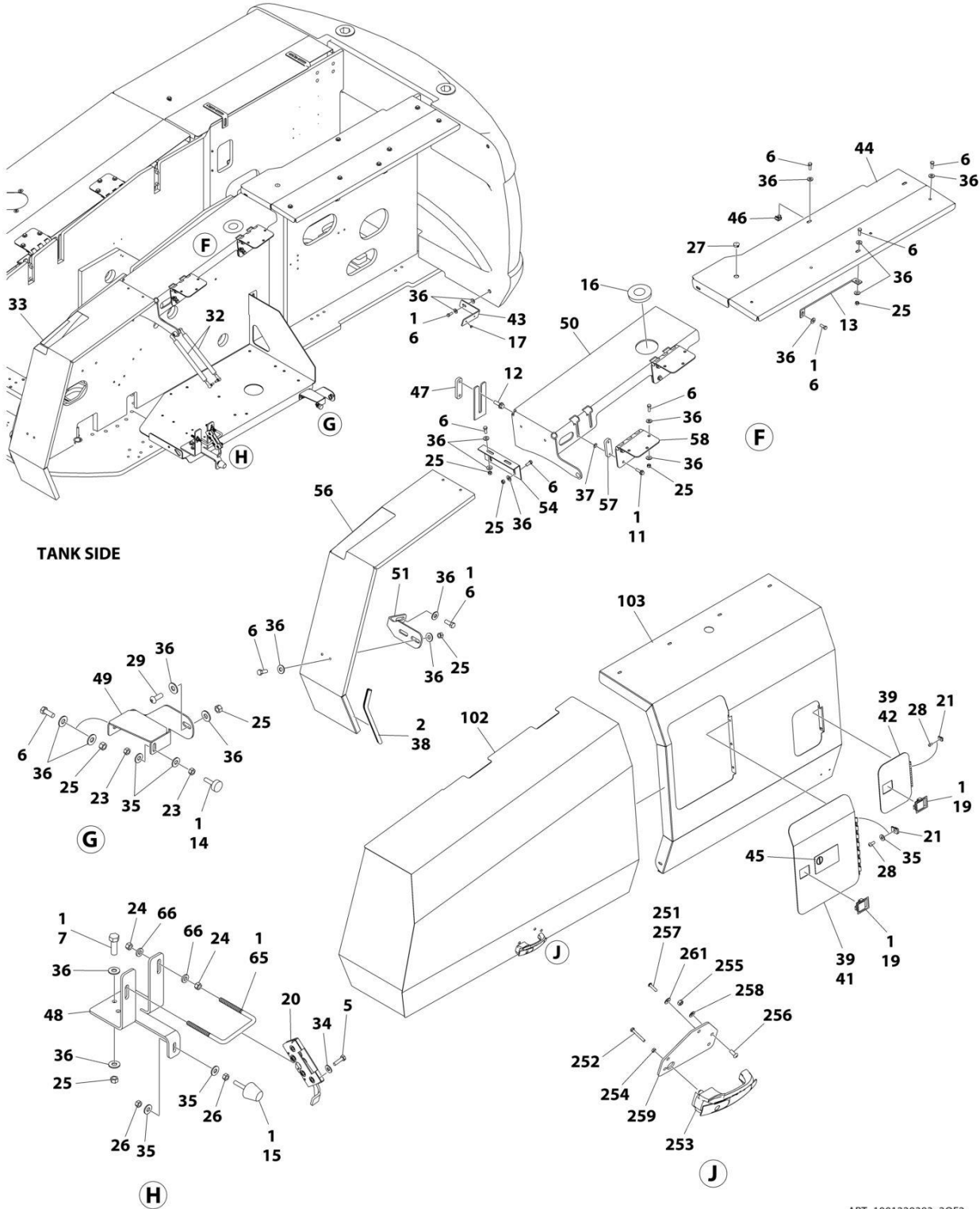
# SECTION 2 - TURNTABLE

## FIGURE 2-37. HOODS INSTALLATION – STEEL (FORD DF 2.5L ENGINES)



ART\_1001220393\_10F2

# SECTION 2 - TURNTABLE



ART\_1001220393\_20F2

## SECTION 2 - TURNTABLE

FIGURE 2-37. HOODS INSTALLATION – STEEL (FORD DF 2.5L ENGINES)

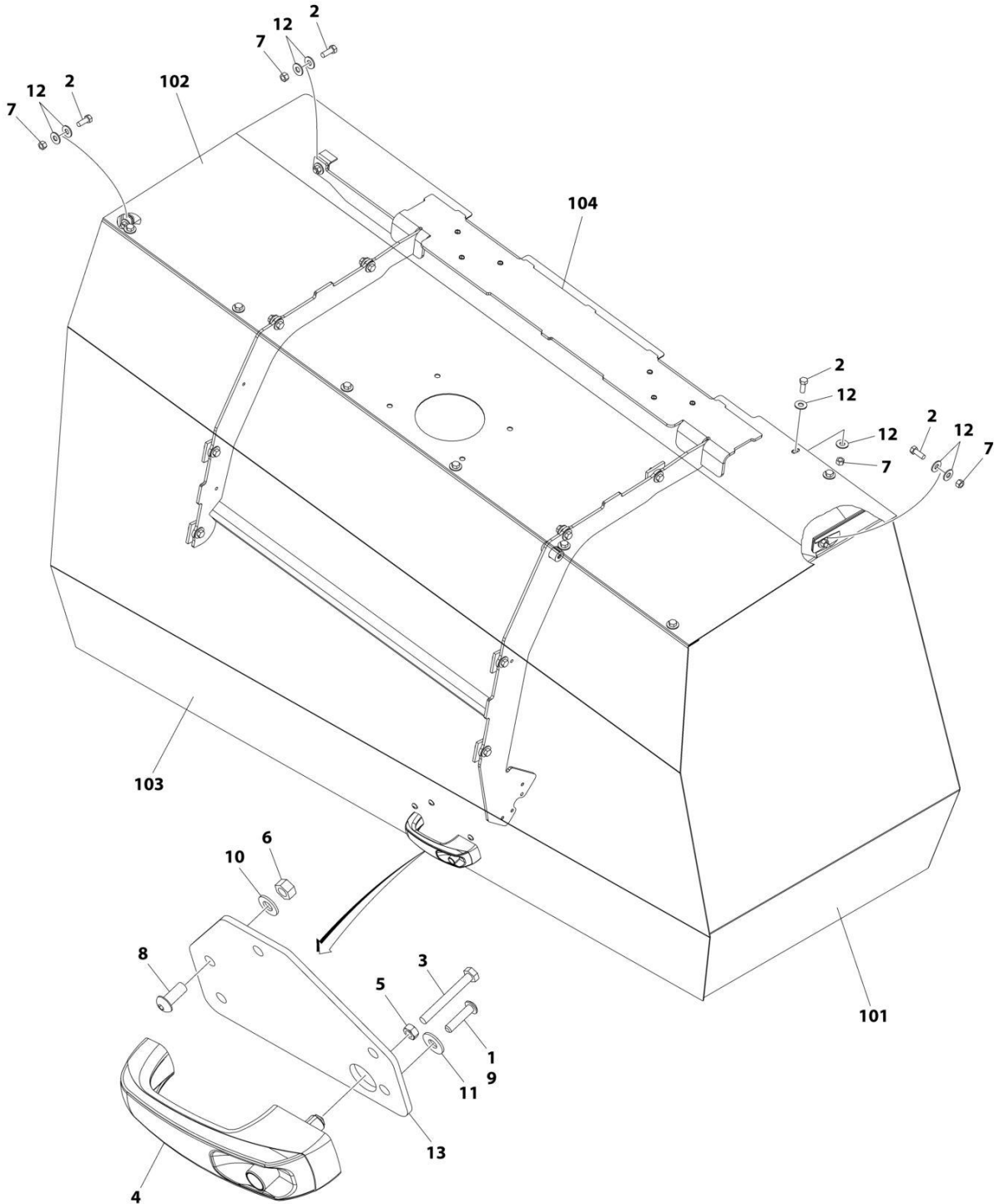
| ITEM | PART NUMBER | QTY          | DESCRIPTION   | REV |
|------|-------------|--------------|---|-----|
|      |             | Ref          | NOTE: REPLACEMENT DECALS MUST BE PURCHASED SEPARATELY - SEE DECALS SECTION. |     |
|      | 1001220393  | Ref          | HOODS INSTALLATION  | C   |
| 1    | 0100011     | AR           | Compound, Locking   |     |
| 2    | 0100081     | AR           | Adhesive  |     |
| 3    | 0630485     | 8            | Bolt, Carriage  |     |
| 4    | 0641406     | 5            | Bolt 1/4 x 3/4  |     |
| 5    | 0641408     | 8            | Bolt 1/4 x 1  |     |
| 6    | 0641608     | 31           | Bolt 3/8 x 7/8  |     |
| 7    | 0641609     | 9            | Bolt 3/8 x 1-1/8  |     |
| 8    | 0641611     | 2            | Bolt 3/8 x 1-3/8  |     |
| 10   | 0641616     | 2            | Bolt 3/8 x 2  |     |
| 11   | 0811610     | 8            | Screw 3/8 x 1-1/4   |     |
| 12   | 0811812     | 8            | Bolt 1/2 x 1-1/2  |     |
| 13   | 0902673     | 1            | Bracket   |     |
| 14   | 0940049     | 1            | Stopper, Hood   |     |
| 15   | 0940088     | 1            | Bumper  |     |
| 16   | 1120601     | 1            | Plug  |     |
| 17   | 2080040     | 4            | Fastener, Huck  |     |
| 18   | 2080072     | 4            | Retainer  |     |
| 19   | 2940045     | 2            | Latch, Paddle   |     |
| 20   | 2940173     | 2            | Latch   |     |
| 21   | 3300364     | 5            | Nut, Tinnerman  |     |
| 22   | 3311405     | 5            | Nut 1/4   |     |
| 23   | 3311501     | 2            | Nut 5/16  |     |
| 24   | 3311601     | 8            | Nut 3/8   |     |
| 25   | 3311605     | 39           | Nut 3/8   |     |
| 26   | 3321501     | 2            | Nut 5/16  |     |
| 27   | 3520030     | 1            | Plug, Hole  |     |
| 28   | 3900210     | 5            | Screw, Button Head 5/16 x 3/4   |     |
| 29   | 3900316     | 2            | Screw, Button Head 3/8 x 1  |     |
| 30   | 3960389     | 54 in/1.4m   | Seal  |     |
| 32   | 4160194     | 4            | Spring, Gas   |     |
| 33   | 4420038     | 6 in/16cm    | Tape  |     |
| 34   | 4751400     | 13           | Washer 1/4  |     |
| 35   | 4751500     | 7            | Washer 5/16   |     |
| 36   | 4751600     | 80           | Washer 3/8  |     |
| 37   | 8310070     | 8            | Push-nut 3/8  |     |
| 38   | 1001110166  | 59 in /1.5mm | Seal  |     |
| 39   | 1001113047  | 84 in /2.14m | Seal  |     |
| 40   | 1001116280  | 1            | Bracket, Hood   |     |
| 41   | 1001116322  | 1            | Door  |     |
| 42   | 1001116344  | 1            | Door  |     |
| 43   | 1001116358  | 1            | Bracket   |     |
| 44   | 1001117027  | 1            | Bracket   |     |
| 45   | 1001117307  | 1            | Decal - Emergency Stop  |     |
| 46   | 1001126828  | 5            | Nut, Tinnerman  |     |
| 47   | 1001150260  | 4            | Plate   |     |

## SECTION 2 - TURNTABLE

| ITEM | PART NUMBER | QTY | DESCRIPTION  | REV |
|------|-------------|-----|--|-----|
| 48   | 1001250295  | 1   | Bracket, Striker   |     |
| 49   | 1001157025  | 1   | Bracket  |     |
| 50   | 1001157284  | 1   | Mount  |     |
| 51   | 1001157344  | 1   | Bracket  |     |
| 52   | 1001157474  | 1   | Bracket  |     |
| 53   | 1001157475  | 1   | Panel  |     |
| 54   | 1001157612  | 1   | Bracket  |     |
| 55   | 1001161711  | 1   | Mount  |     |
| 56   | 1001173580  | 1   | Plate  |     |
| 57   | 1001186251  | 4   | Plate  |     |
| 58   | 1001186254  | 4   | Hinge  |     |
| 61   | 1001196768  | 1   | Bracket  |     |
| 62   | 1001220002  | 1   | Baffle   |     |
| 63   | 1001220067  | 1   | Plate, Seal  |     |
| 64   | 1001250294  | 1   | Bracket  |     |
| 65   | 1001243414  | 2   | Bolt 3/8   |     |
| 66   | 4891600     | 8   | Washer 3/8   |     |
| 100  | 1001174283  | 1   | Hood Kit - Standard Machines (Not Shown - Includes Items 101-104)  | C   |
| 101  | 1001157208  | 1   | Hood Assembly - Engine Side Rear (See Items 251-261 for Breakdown) |     |
| 102  | 1001157209  | 1   | Hood Assembly - Tank Side Rear (See Items 351-361 for Breakdown)   |     |
| 103  | 1001116558  | 1   | Hood - Tank Side Front   |     |
| 104  | 1001116620  | 1   | Hood - Engine Side Front   |     |
|      | 1001157208  | Ref | HOOD ASSEMBLY - ENGINE SIDE REAR                                   | D   |
| 251  | 0100011     | AR  | Compound, Locking  |     |
| 252  | 0700618     | 1   | Bolt M6 x 50   |     |
| 253  | 2560187     | 1   | Handle, Push Button  |     |
| 254  | 3290601     | 1   | Nut M6   |     |
| 255  | 3311505     | 3   | Nut 5/16   |     |
| 256  | 3900210     | 3   | Screw, Button Head 5/16 x 3/4                                      |     |
| 257  | 3900363     | 2   | Screw, Button Head M6 x 25   |     |
| 258  | 4711500     | 3   | Washer 5/16  |     |
| 259  | 1001116290  | 1   | Plate, Latch Mounting  |     |
| 261  | 4751400     | 2   | Washer 1/4   |     |
|      | 1001157209  | Ref | HOOD ASSEMBLY - TANK SIDE REAR                                     | B   |
| 351  | 0100011     | AR  | Compound, Locking  |     |
| 352  | 0700617     | 1   | Bolt M6 x 45mm   |     |
| 353  | 2560187     | 1   | Handle, Push Button  |     |
| 354  | 3290601     | 1   | Nut M6   |     |
| 355  | 3311505     | 3   | Locknut 5/16in-18NC  |     |
| 356  | 3900210     | 3   | Screw, Button Head 5/16in-18 x 3/4in                               |     |
| 357  | 3900363     | 2   | Screw, Button Head M6 x 25mm                                       |     |
| 358  | 4711500     | 3   | Flatwasher 5/16in Thin   |     |
| 359  | 1001116290  | 1   | Plate, Latch Mounting  |     |
| 361  | 4751400     | 2   | Flatwasher 1/4in Regular   |     |

# SECTION 2 - TURNTABLE

## FIGURE 2-38. HOOD ASSEMBLY - ENGINE SIDE REAR (DEUTZ TD2.9L4 ENGINES)



ART\_1001244463



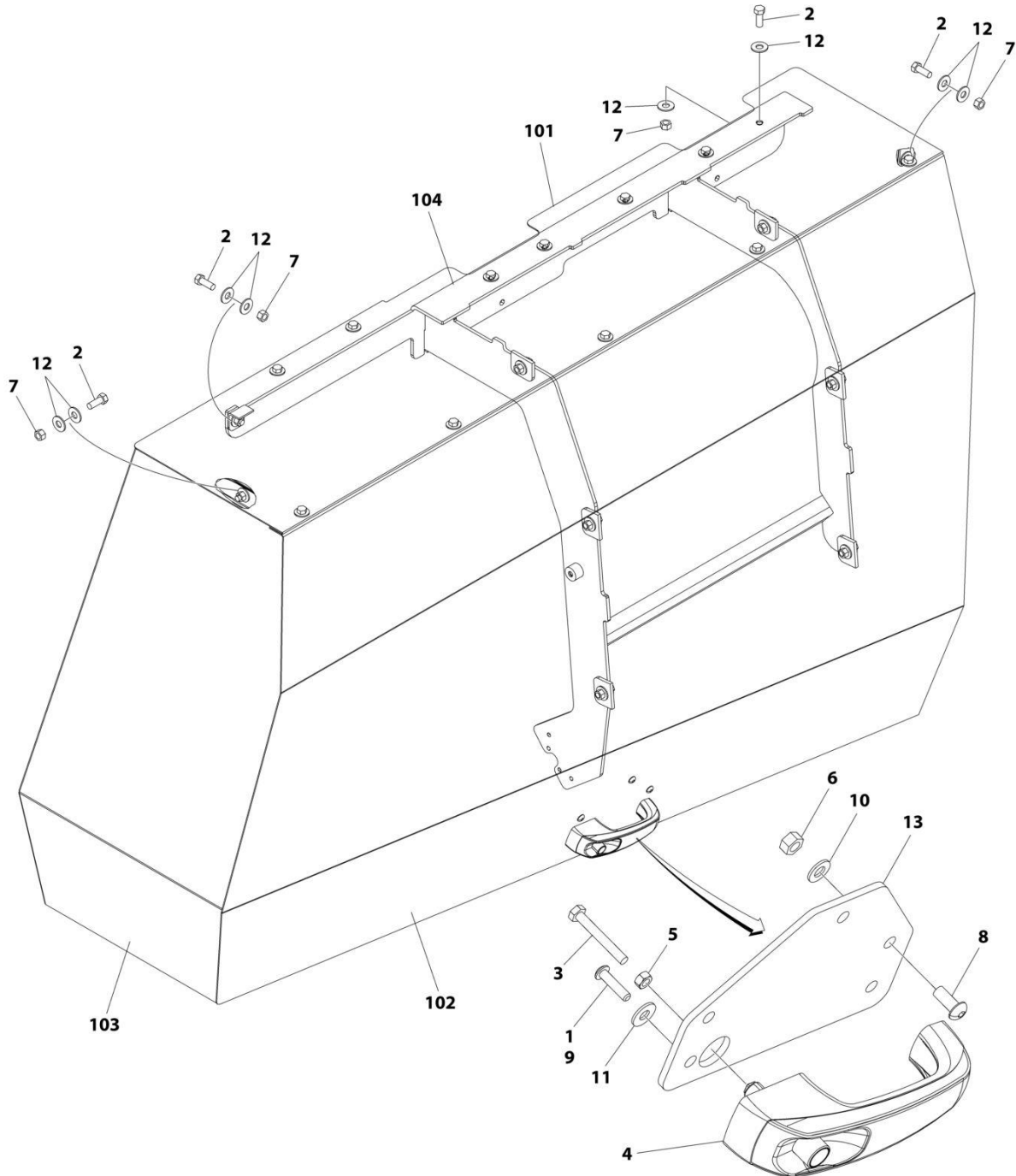
## SECTION 2 - TURNTABLE

**FIGURE 2-38. HOOD ASSEMBLY - ENGINE SIDE REAR (DEUTZ TD2.9L4 ENGINES)**

| ITEM | PART NUMBER | QTY | DESCRIPTION   | REV |
|------|-------------|-----|---|-----|
|      | 1001244463  | Ref | HOOD ASSEMBLY - ENGINE SIDE REAR                          | A   |
| 1    | 0100011     | AR  | Compound, Locking   |     |
| 2    | 0641608     | 28  | Bolt 3/8 x 7/8  |     |
| 3    | 0700618     | 1   | Bolt M6 x 50  |     |
| 4    | 2560187     | 1   | Handle, Push Button                                       |     |
| 5    | 3290601     | 1   | Nut M6  |     |
| 6    | 3311505     | 3   | Nut 5/16  |     |
| 7    | 3311605     | 28  | Nut 3/8   |     |
| 8    | 3900210     | 3   | Screw, Button Head 5/16 x 3/4                             |     |
| 9    | 3900363     | 2   | Screw, Button Head M6 x 25                                |     |
| 10   | 4711500     | 3   | Washer 5/16   |     |
| 11   | 4751400     | 2   | Washer 1/4  |     |
| 12   | 4751600     | 56  | Washer 3/8  |     |
| 13   | 1001116290  | 1   | Plate, Latch Mounting                                     |     |
| 100  | 1001243985  | 1   | Hood Engine Side Kit (Not Shown - Includes Items 101-104) |     |
| 101  | 1001239688  | 1   | End Panel   |     |
| 102  | 1001239689  | 1   | Top Panel   |     |
| 103  | 1001239690  | 1   | Side Panel  |     |
| 104  | 1001239691  | 1   | Support   |     |

## SECTION 2 - TURNTABLE

FIGURE 2-39. HOOD ASSEMBLY - TANK SIDE REAR (DEUTZ TD2.9L4 AND DEUTZ TD2.9L4 (STAGE V) ENGINES)



ART\_1001244465

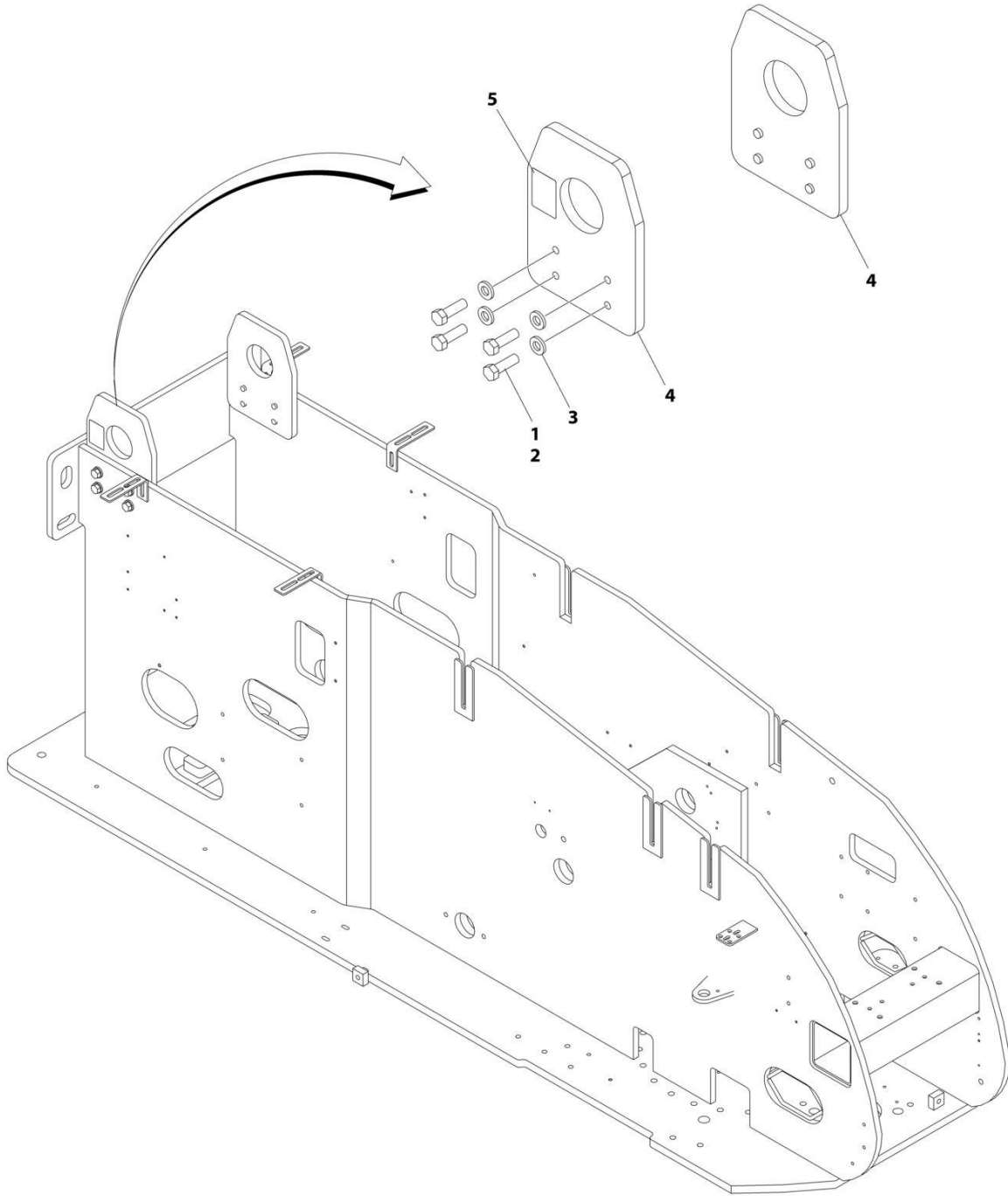
**SECTION 2 - TURNTABLE**

**FIGURE 2-39. HOOD ASSEMBLY - TANK SIDE REAR (DEUTZ TD2.9L4 AND DEUTZ TD2.9L4 (STAGE V) ENGINES)**

| ITEM | PART NUMBER | QTY | DESCRIPTION   | REV |
|------|-------------|-----|---|-----|
|      | 1001244465  | Ref | HOOD ASSEMBLY - TANK SIDE REAR                          | A   |
| 1    | 0100011     | AR  | Compound, Locking                                       |     |
| 2    | 0641608     | 28  | Bolt 3/8 x 7/8  |     |
| 3    | 0700617     | 1   | Bolt M6 x 45  |     |
| 4    | 2560187     | 1   | Handle, Push Button                                     |     |
| 5    | 3290601     | 1   | Nut M6  |     |
| 6    | 3311505     | 3   | Nut 5/16  |     |
| 7    | 3311605     | 28  | Nut 3/8   |     |
| 8    | 3900210     | 3   | Screw, Button Head 5/16 x 3/4                           |     |
| 9    | 3900363     | 2   | Screw, Button Head M6 x 25                              |     |
| 10   | 4711500     | 3   | Washer 5/16   |     |
| 11   | 4751400     | 2   | Washer 1/4  |     |
| 12   | 4751600     | 56  | Washer 3/8  |     |
| 13   | 1001116290  | 1   | Plate, Latch Mounting                                   |     |
| 100  | 1001243986  | 1   | Hood Tank Side Kit (Not Shown - Includes Items 101-104) |     |
| 101  | 1001239721  | 1   | Top Panel   |     |
| 102  | 1001239722  | 1   | Side Panel  |     |
| 103  | 1001239723  | 1   | End Panel   |     |
| 104  | 1001239724  | 1   | Support   |     |

# SECTION 2 - TURNTABLE

## FIGURE 2-40. LIFTING PLATE INSTALLATION



ART\_1001158084

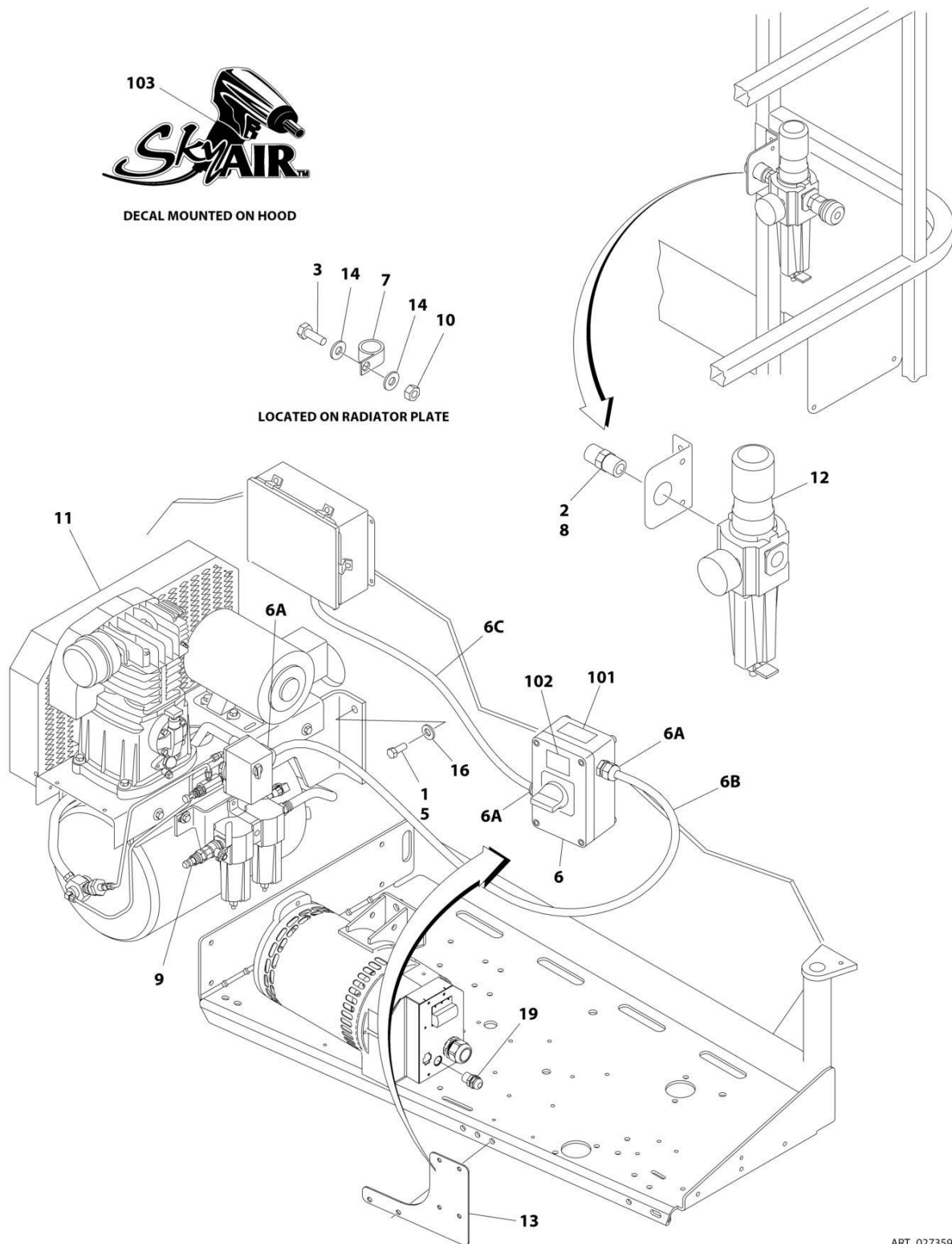
**SECTION 2 - TURNTABLE**

**FIGURE 2-40. LIFTING PLATE INSTALLATION**

| <b>ITEM</b> | <b>PART NUMBER</b> | <b>QTY</b> | <b>DESCRIPTION</b>            | <b>REV</b> |
|-------------|--------------------|------------|-------------------------------|------------|
|             | 1001158084         | Ref        | LIFTING PLATE INSTALLATION    | B          |
| 1           | 0100019            | AR         | Compound, Locking             |            |
| 2           | 0682016            | 8          | Bolt 5/8in-11NC x 2in Grade 8 |            |
| 3           | 4892000            | 8          | Flatwasher 5/8in Hardened     |            |
| 4           | 1001157870         | 2          | Plate, Lifting                |            |
| 5           | 1703811            | 2          | Decal - Lift                  |            |

## SECTION 2 - TURNTABLE

FIGURE 2-41. SKYAIR AIR COMPRESSOR INSTALLATION (DEUTZ D2011 AND FORD DF 2.5L ENGINES)



ART\_0273596

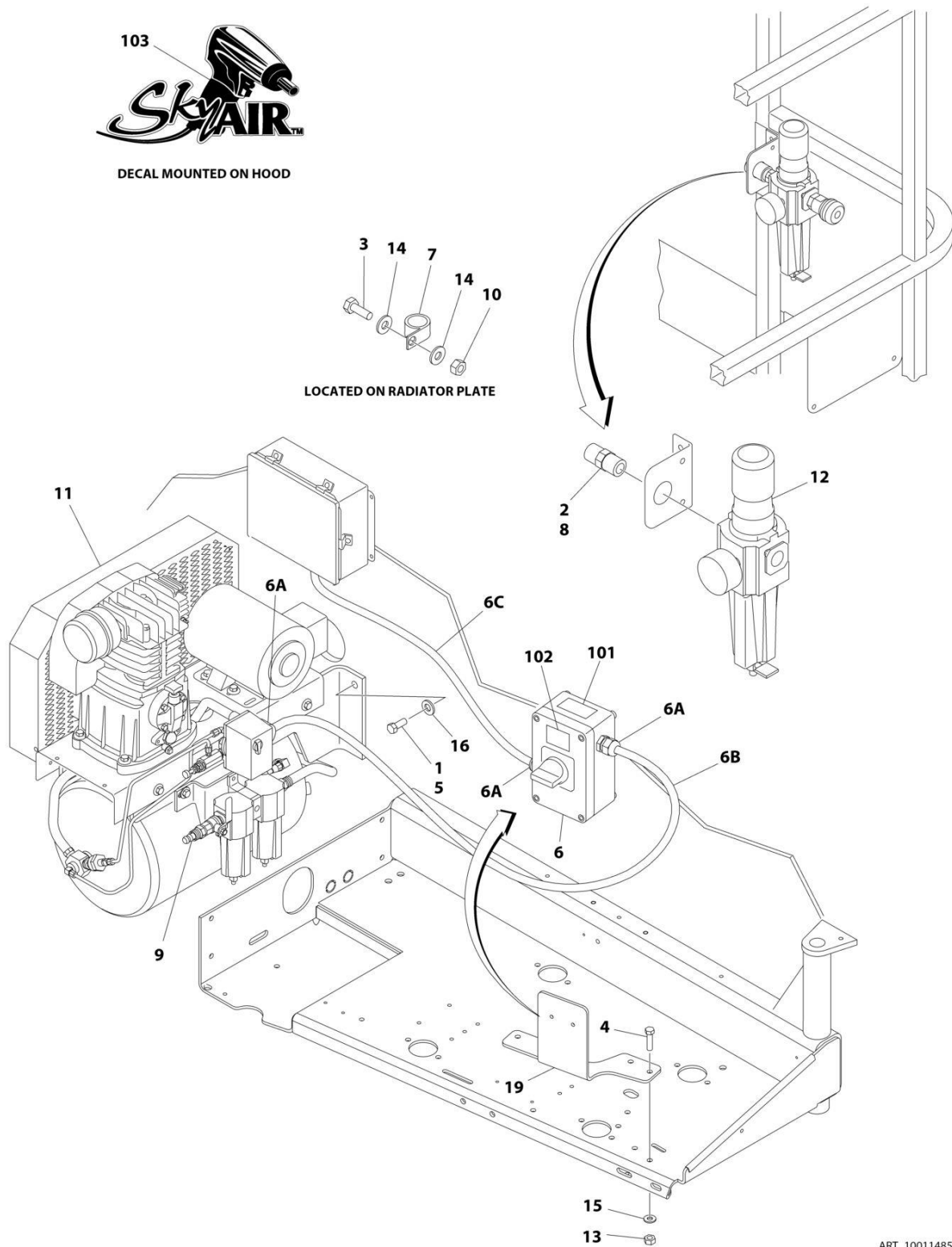
## SECTION 2 - TURNTABLE

**FIGURE 2-41. SKYAIR AIR COMPRESSOR INSTALLATION (DEUTZ D2011 AND FORD DF 2.5L ENGINES)**

| ITEM | PART NUMBER | QTY | DESCRIPTION  | REV |
|------|-------------|-----|--|-----|
|      | 0273596     | Ref | SKYAIR AIR COMPRESSOR INSTALLATION                           | B   |
| 1    | 0100019     | AR  | Compound, Locking  |     |
| 2    | 0100020     | AR  | Sealant #567   |     |
| 3    | 0641406     | 2   | Bolt 1/4 x 3/4   |     |
| 5    | 0641810     | 4   | Bolt 1/2 x 1-1/4   |     |
| 6    | 0861642     | 1   | Control Box Assembly   |     |
| 6A   | 4460633     | 3   | Connector, Strain Relief                                     |     |
| 6B   | 70002948    | AR  | Cable, Electrical - 12/4 (13ft/4m)                           |     |
| 6C   | 70002948    | AR  | Cable, Electrical - 12/4 (30in/76cm)                         |     |
| 7    | 1320224     | 2   | Clamp  |     |
| 8    | 2220252     | 1   | Fitting  |     |
| 9    | 2220750     | 1   | Fitting  |     |
| 10   | 3311405     | 2   | Nut 1/4  |     |
| 11   | 3600386     | 1   | Compressor Assembly (See Separate Breakdown in this Section) |     |
| 12   | 3720021     | 1   | Filter/Regulator Assembly                                    |     |
| 12   | 7027781     | 1   | Service Kit (Includes Gaskets and Seals)                     |     |
| 12   | 7027782     | 1   | Filter   |     |
| 12   | 7027784     | 1   | Gauge  |     |
| 12   | 7027783     | 1   | Valve, Drain   |     |
| 13   | 4340747     | 1   | Bracket, Control Box   |     |
| 14   | 4711400     | 4   | Washer 1/4   |     |
| 16   | 4751800     | 4   | Washer 1/2   |     |
| 18   | 4240033     | AR  | Tie-Strap (Not Shown)  |     |
| 19   | 4460428     | 1   | Connector, Strain Relief                                     |     |
|      | 0273687     | Ref | DECAL INSTALLATION   |     |
| 101  | 1705836     | 1   | Decal - Hazard Voltage                                       |     |
| 102  | 1705837     | 1   | Decal - Air Compressor                                       |     |
| 103  | 1705886     | 2   | Decal - SkyAir   |     |

# SECTION 2 - TURNTABLE

## FIGURE 2-42. SKYAIR AIR COMPRESSOR INSTALLATION (DEUTZ TD2.9L4 ENGINES)





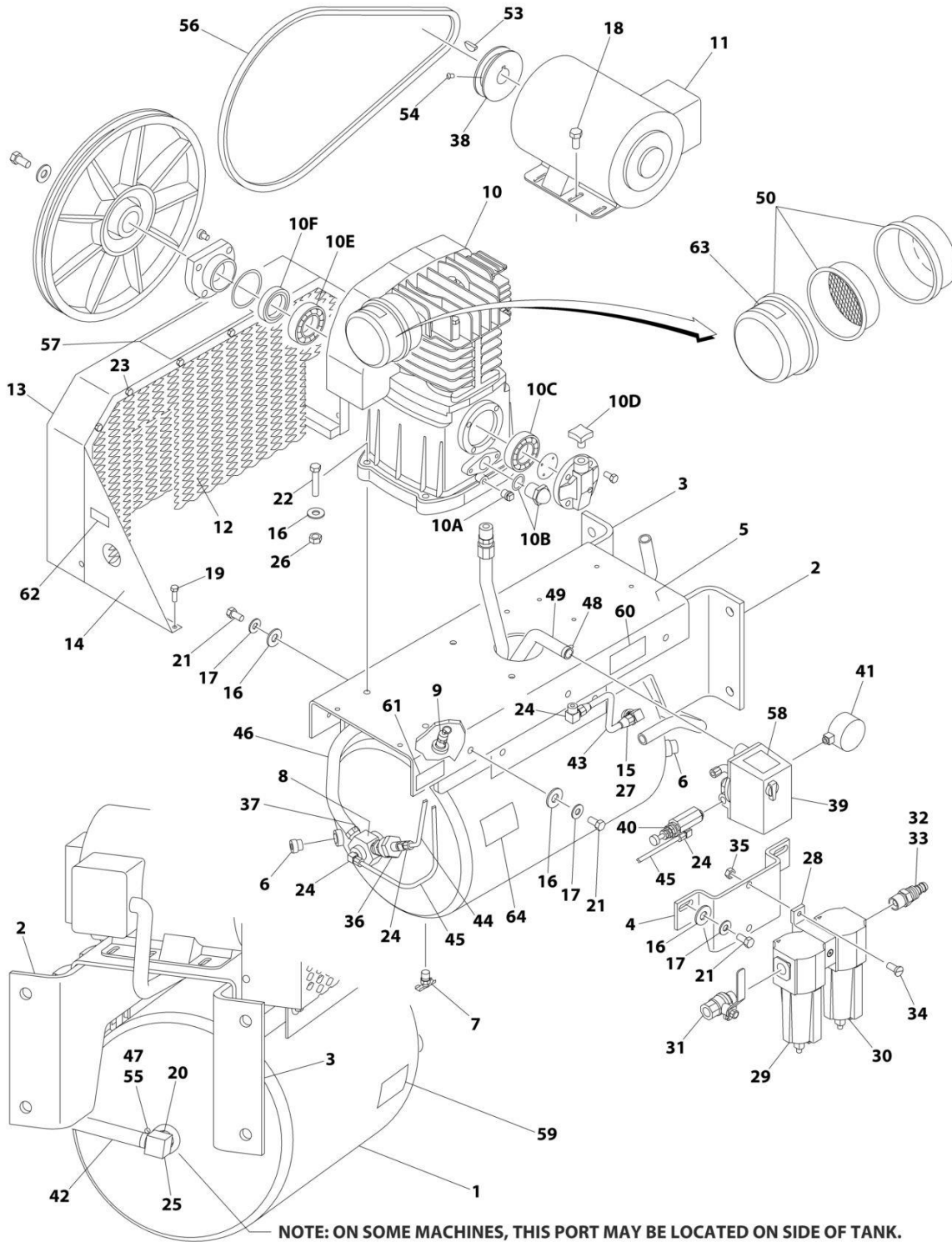
## SECTION 2 - TURNTABLE

**FIGURE 2-42. SKYAIR AIR COMPRESSOR INSTALLATION (DEUTZ TD2.9L4 ENGINES)**

| ITEM | PART NUMBER | QTY | DESCRIPTION  | REV |
|------|-------------|-----|--|-----|
|      | 1001148565  | Ref | SKYAIR AIR COMPRESSOR INSTALLATION                           | B   |
| 1    | 0100019     | AR  | Compound, Locking  |     |
| 2    | 0100020     | AR  | Sealant #567   |     |
| 3    | 0641406     | 2   | Bolt 1/4 x 3/4   |     |
| 4    | 0641608     | 3   | Bolt 3/8 x 1   |     |
| 5    | 0641810     | 4   | Bolt 1/2 x 1-1/4   |     |
| 6    | 0861642     | 1   | Control Box Assembly   |     |
| 6A   | 4460633     | 3   | Connector, Strain Relief                                     |     |
| 6B   | 70002948    | AR  | Cable, Electrical - 12/4 (13ft/4m)                           |     |
| 6C   | 70002948    | AR  | Cable, Electrical - 12/4 (30in/76cm)                         |     |
| 7    | 1320224     | 2   | Clamp  |     |
| 8    | 2220252     | 1   | Fitting  |     |
| 9    | 2220750     | 1   | Fitting  |     |
| 10   | 3311405     | 2   | Nut 1/4  |     |
| 11   | 3600386     | 1   | Compressor Assembly (See Separate Breakdown in this Section) |     |
| 12   | 3720021     | 1   | Filter/Regulator Assembly                                    |     |
| 12   | 7027781     | 1   | Service Kit (Includes Gaskets and Seals)                     |     |
| 12   | 7027782     | 1   | Filter   |     |
| 12   | 7027784     | 1   | Gauge  |     |
| 12   | 7027783     | 1   | Valve, Drain   |     |
| 13   | 3311605     | 3   | Nut 3/8  |     |
| 14   | 4711400     | 4   | Washer 1/4   |     |
| 15   | 4711600     | 3   | Washer 3/8   |     |
| 16   | 4751800     | 4   | Washer 1/2   |     |
| 18   | 4240033     | AR  | Tie-Strap (Not Shown)  |     |
| 19   | 1001144447  | 1   | Bracket, Control Box   |     |
|      | 0273687     | Ref | DECAL INSTALLATION   | A   |
| 101  | 1705836     | 1   | Decal - Hazard Voltage                                       |     |
| 102  | 1705837     | 1   | Decal - Air Compressor                                       |     |
| 103  | 1705886     | 2   | Decal - SkyAir   |     |

# SECTION 2 - TURNTABLE

## FIGURE 2-43. AIR COMPRESSOR ASSEMBLY



ART\_3600386

## SECTION 2 - TURNTABLE

### FIGURE 2-43. AIR COMPRESSOR ASSEMBLY

| ITEM | PART NUMBER | QTY | DESCRIPTION  | REV |
|------|-------------|-----|--|-----|
|      | 3600386     | Ref | AIR COMPRESSOR ASSEMBLY  | B   |
| 1    | 7026632     | 1   | Tank   |     |
| 2    | See Note    | 1   | Bracket, Mounting (Note: Not Available for Purchase)           |     |
| 3    | See Note    | 1   | Bracket, Mounting (Note: Not Available for Purchase)           |     |
| 4    | See Note    | 1   | Bracket, Regulator Mounting (Note: Not Available for Purchase) |     |
| 5    | See Note    | 1   | Deck (Note: Not Available for Purchase)                        |     |
| 6    | See Note    | 2   | Plug (Note: Not Available for Purchase)                        |     |
| 7    | 7026633     | 1   | Valve, Drain   |     |
| 8    | 7026634     | 1   | Valve, Check   |     |
| 9    | 7026635     | 1   | Valve, Safety  |     |
| 10   | 7026636     | 1   | Pump Assembly  |     |
| 10   | 7026659     | 1   | Gasket and Seal Kit  |     |
| 10A  | 7026651     | 1   | Plug, Oil Drain  |     |
| 10B  | 7026652     | 1   | Gauge, Oil Sight   |     |
| 10C  | 7026653     | 1   | Bearing  |     |
| 10D  | 7026654     | 1   | Cap, Oil Fill  |     |
| 10E  | 7026655     | 1   | Bearing  |     |
| 10F  | 7026656     | 1   | Seal   |     |
| 11   | 7026637     | 1   | Motor Assembly   |     |
| 11   | See Note    | 1   | Brush Kit (Note: Not Available for Purchase)                   |     |
| 12   | See Note    | 1   | Screen, Inner (Note: Not Available for Purchase)               |     |
| 13   | See Note    | 1   | Guard, Belt (Note: Not Available for Purchase)                 |     |
| 14   | See Note    | 2   | Support (Note: Not Available for Purchase)                     |     |
| 15   | See Note    | 1   | Bushing (Note: Not Available for Purchase)                     |     |
| 16   | 4751600     | 18  | Washer 3/8   |     |
| 17   | 4761600     | 10  | Washer 3/8   |     |
| 18   | 0641506     | 4   | Bolt 5/16 x 3/4  |     |
| 19   | 0641406     | 8   | Bolt 1/4 x 3/4   |     |
| 20   | See Note    | 1   | Bushing (Note: Not Available for Purchase)                     |     |
| 21   | 0641610     | 10  | Bolt 3/8 x 1-1/4   |     |
| 22   | 0641616     | 4   | Bolt 3/8 x 2   |     |
| 23   | See Note    | 10  | Bolt 1/4 x 1/2 (Note: Not Available for Purchase)              |     |
| 24   | See Note    | 4   | Fitting (Note: Not Available for Purchase)                     |     |
| 25   | See Note    | 1   | Fitting, Barbed (Note: Not Available for Purchase)             |     |
| 26   | 3311605     | 4   | Nut 3/8  |     |
| 27   | See Note    | 1   | Fitting, Compression (Note: Not Available for Purchase)        |     |
| 28   | See Note    | 1   | Bracket, Mounting (Note: Not Available for Purchase)           |     |
| 29   | 7026660     | 1   | Filter, Oil Removal  |     |
| 30   | 7026661     | 1   | Filter, Water Removal  |     |
| 31   | 70001663    | 1   | Valve, Ball Shut-Off   |     |
| 32   | See Note    | 1   | Bushing (Note: Not Available for Purchase)                     |     |
| 33   | See Note    | 1   | Fitting, Barbed (Note: Not Available for Purchase)             |     |
| 34   | See Note    | 2   | Screw 1/4 x 1 (Note: Not Available for Purchase)               |     |
| 35   | 3311405     | 2   | Nut 1/4  |     |
| 36   | See Note    | 1   | Unloader (Note: Not Available for Purchase)                    |     |
| 37   | See Note    | 1   | Fitting (Note: Not Available for Purchase)                     |     |
| 38   | See Note    | 1   | Pulley (Note: Not Available for Purchase)                      |     |
| 39   | 7026638     | 1   | Switch, Pressure   |     |
| 40   | 7026639     | 1   | Vale, Pilot  |     |
| 41   | 7026640     | 1   | Gauge  |     |

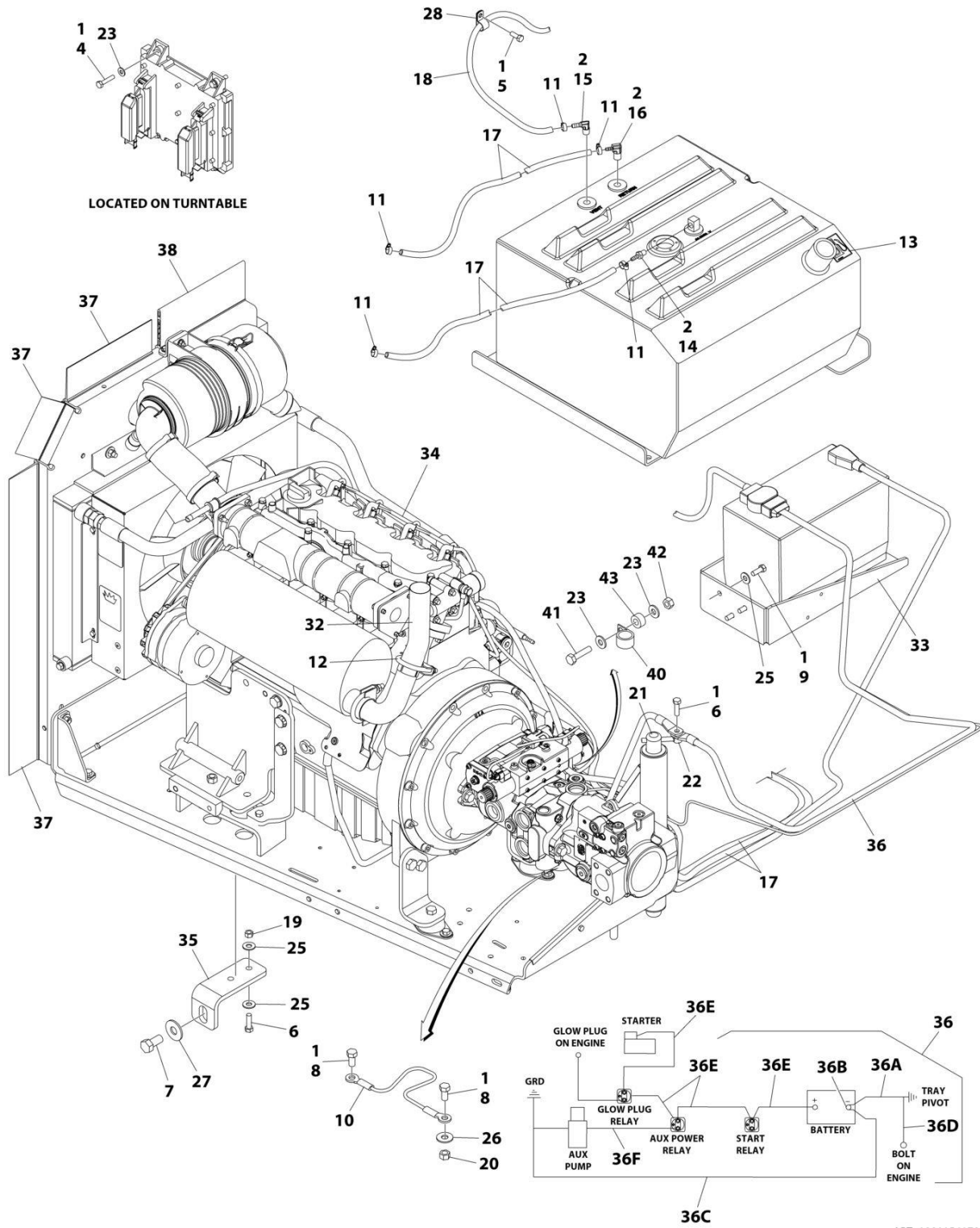
## SECTION 2 - TURNTABLE

| ITEM | PART NUMBER | QTY   | DESCRIPTION   | REV |
|------|-------------|-------|---|-----|
| 42   | See Note    | 1     | Hose (Note: Not Available for Purchase)             |     |
| 43   | See Note    | 1     | Tube, Feed (Note: Not Available for Purchase)       |     |
| 44   | See Note    | 1     | Tube (Note: Not Available for Purchase)             |     |
| 45   | See Note    | 1     | Tube (Note: Not Available for Purchase)             |     |
| 46   | See Note    | 1     | Aftercooler (Note: Not Available for Purchase)      |     |
| 47   | See Note    | 2     | Clamp (Note: Not Available for Purchase)            |     |
| 48   | See Note    | 2     | Clamp (Note: Not Available for Purchase)            |     |
| 49   | See Note    | 1     | Harness, Wiring (Note: Not Available for Purchase)  |     |
| 50   | 7026658     | 1     | Filter Assembly                                     |     |
| 50   | 7026641     | 1     | Element, Filter                                     |     |
| 51   | See Note    | 23 oz | Oil, Compressor (Note: Not Available for Purchase)  |     |
| 52   | 0100020     | AR    | Sealant   |     |
| 53   | See Note    | 1     | Key (Note: Not Available for Purchase)              |     |
| 54   | See Note    | 2     | Setscrew (Note: Not Available for Purchase)         |     |
| 55   | See Note    | 2     | Cover, Clamp End (Note: Not Available for Purchase) |     |
| 56   | 7026642     | 1     | Belt  |     |
| 57   | 7026643     | 1     | Decal - Unit Warning                                |     |
| 58   | 7026644     | 1     | Decal - Pressure Switch Warning                     |     |
| 59   | 7026645     | 1     | Decal - Drain Tank Warning                          |     |
| 60   | 7026646     | 1     | Decal - Compressor Maintenance                      |     |
| 61   | 7026647     | 1     | Decal - Initial Oil Fill                            |     |
| 62   | 7026648     | 1     | Decal - Hot Surfaces Warning                        |     |
| 63   | 7026649     | 1     | Decal - Paper Element Cleaning                      |     |
| 64   | 7026650     | 1     | Decal - Dual Control                                |     |

**SECTION 3 - ENGINE**

# SECTION 3 - ENGINE

## FIGURE 3-1. DEUTZ D2011 ENGINE INSTALLATION (WITHOUT ARCTIC PACKAGE)



ART\_1001156170

## SECTION 3 - ENGINE

**FIGURE 3-1. DEUTZ D2011 ENGINE INSTALLATION (WITHOUT ARCTIC PACKAGE)**

| ITEM | PART NUMBER | QTY            | DESCRIPTION  | REV |
|------|-------------|----------------|--|-----|
|      | 1001156170  | Ref            | DEUTZ D2011 ENGINE INSTALLATION  | H   |
| 1    | 0100011     | AR             | Compound, Locking  |     |
| 2    | 0100020     | AR             | Sealant, Pipe  |     |
| 4    | 0641410     | 4              | Bolt 1/4 x 1-1/4   |     |
| 5    | 0641608     | 1              | Bolt 3/8 x 1   |     |
| 6    | 0641610     | 3              | Bolt 3/8 x 1-1/4   |     |
| 7    | 0642010     | 1              | Bolt 5/8 x 1-1/4   |     |
| 8    | 0641808     | 2              | Bolt 1/2 x 1   |     |
| 9    | 0681608     | 3              | Bolt 3/8 x 1 Grade 8   |     |
| 10   | 1060637     | 1              | Cable, Lanyard   |     |
| 11   | 1320022     | 5              | Clamp, Hose  |     |
| 12   | 1320176     | 1              | Clamp  |     |
| 13   | 1701505     | 1              | Decal - Diesel   |     |
| 14   | 2180348     | 1              | Fitting, Straight Barbed   |     |
| 15   | 2220313     | 1              | Fitting, Elbow   |     |
| 16   | 2221176     | 1              | Fitting, Elbow Barbed  |     |
| 17   | 2720058     | 30 ft/<br>9.2m | Hose   |     |
| 18   | 2750532     | 7 ft/ 2.1m     | Hose   |     |
| 19   | 3311605     | 2              | Nut 3/8  |     |
| 20   | 3311801     | 1              | Nut 1/2  |     |
| 21   | 3422446     | 1              | Pin, Pivot   |     |
| 22   | 3841143     | 1              | Pin, Keeper  |     |
| 23   | 4711400     | 6              | Washer 1/4   |     |
| 25   | 4751600     | 7              | Washer 3/8   |     |
| 26   | 4751800     | 1              | Washer 1/2   |     |
| 27   | 4752000     | 1              | Washer 5/8   |     |
| 28   | 8406102     | 1              | Clip   |     |
| 32   | 1001101600  | 1              | Tube, Exhaust  |     |
| 33   | 1001162497  | 1              | Bracket  |     |
| 34   | 1001154236  | 1              | Engine and Pump Assembly without Arctic Package (See Separate Breakdown in this Section) |     |
| 35   | 1001151070  | 1              | Plate  |     |
| 36   | 1001155143  | 1              | Battery Cable Kit  | C   |
| 36A  | 7027092     | 1              | Cable, Battery (Black) (Battery - to Tray Pivot and Relay Grds)                          |     |
| 36B  | 8270147     | 1              | Terminal, Battery (With Boot) Cable, Battery (Black)                                     |     |
| 36C  | 7027093     | 1              | Cable, Battery (Black) (Battery - to Aux Pump Ground)                                    |     |
| 36D  | 7027053     | 1              | Cable, Battery (Black) (Engine to Tray Pivot Grd)  |     |
| 36E  | 7027094     | 1              | Cable (Red) (Battery + to Relays/Starter)  |     |
| 36F  | 7027095     | 1              | Cable (Red) (Aux Relay to Aux Pump)  |     |
| 37   | 3960548     | 44 in/<br>1.1m | Seal   |     |
| 38   | 3960549     | 11 in/<br>28cm | Seal   |     |
| 40   | 1320224     | 1              | Clamp  |     |
| 41   | 0641409     | 1              | Bolt 1/4 x 1-1/8   |     |
| 42   | 3311405     | 1              | Nut 1/4  |     |
| 43   | 1001110425  | 1              | Spacer   |     |





## SECTION 3 - ENGINE

**FIGURE 3-2. DEUTZ D2011 ENGINE INSTALLATION (WITH ARCTIC PACKAGE)**

| ITEM | PART NUMBER | QTY            | DESCRIPTION   | REV |
|------|-------------|----------------|---|-----|
|      | 1001178212  | Ref            | DEUTZ D2011 ENGINE INSTALLATION   | F   |
| 1    | 0100011     | AR             | Compound, Locking   |     |
| 2    | 0100020     | AR             | Sealant, Pipe   |     |
| 4    | 0641410     | 4              | Bolt 1/4 x 1-1/4  |     |
| 5    | 0641608     | 1              | Bolt 3/8 x 1  |     |
| 6    | 0641610     | 3              | Bolt 3/8 x 1-1/4  |     |
| 7    | 0641808     | 2              | Bolt 1/2 x 1  |     |
| 8    | 0642010     | 1              | Bolt 5/8 x 1-1/4  |     |
| 9    | 0681608     | 3              | Bolt 3/8 x 1 Grade 8  |     |
| 10   | 1060626     | 1              | Cord, 3 Way Extension   |     |
| 11   | 1060637     | 1              | Cable, Lanyard  |     |
| 12   | 1320022     | 5              | Clamp, Hose   |     |
| 13   | 1320176     | 1              | Clamp   |     |
| 14   | 1701505     | 1              | Decal - Diesel  |     |
| 15   | 1702941     | 1              | Decal - Battery Heater  |     |
| 16   | 1702942     | 1              | Decal - Engine Block Heater   |     |
| 17   | 1702943     | 1              | Decal - Hydraulic Tank Heater   |     |
| 18   | 1702944     | 1              | Decal - Heater Cord   |     |
| 19   | 2180348     | 1              | Fitting, Straight Barbed  |     |
| 20   | 2220313     | 1              | Fitting, Elbow  |     |
| 21   | 2221176     | 1              | Fitting, Elbow Barbed   |     |
| 22   | 2580024     | 1              | Heater, Battery   |     |
| 23   | 1001188972  | 1              | Heater, Hydraulic Tank  |     |
| 24   | 2720058     | 30 ft/<br>9.2m | Hose  |     |
| 25   | 2750532     | 7 ft/ 2.1m     | Hose  |     |
| 26   | 3311605     | 2              | Nut 3/8   |     |
| 27   | 3311801     | 1              | Nut 1/2   |     |
| 28   | 3422446     | 1              | Pin, Pivot  |     |
| 29   | 3841143     | 1              | Pin, Keeper   |     |
| 30   | 3960548     | 44 in/<br>1.1m | Seal  |     |
| 31   | 3960549     | 11 in/<br>28cm | Seal  |     |
| 32   | 3980007     | 1              | Seat, Battery   |     |
| 33   | 4711400     | 6              | Washer 1/4  |     |
| 35   | 4751600     | 7              | Washer 3/8  |     |
| 36   | 4751800     | 1              | Washer 1/2  |     |
| 37   | 4752000     | 1              | Washer 5/8  |     |
| 39   | 8406102     | 1              | Clip  |     |
| 43   | 1001101600  | 1              | Tube, Exhaust   |     |
| 44   | 1001150918  | 1              | Cable, Immersion Heater   |     |
| 45   | 1001151070  | 1              | Plate   |     |
| 46   | 1001154237  | 1              | Engine and Pump Assembly with Arctic Package (See Separate Breakdown in this Section) |     |
| 47   | 1001155143  | 1              | Battery Cable Kit   |     |
| 47A  | 7027092     | 1              | Cable, Battery (Black) (Battery - to Tray Pivot and Relay Grds)                       |     |
| 47B  | 8270147     | 1              | Terminal, Battery (With Boot) Cable, Battery (Black)                                  |     |
| 47C  | 7027093     | 1              | Cable, Battery (Black) (Battery - to Aux Pump Ground)                                 |     |
| 47D  | 7027053     | 1              | Cable, Battery (Black) (Engine to Tray Pivot Grd)                                     |     |

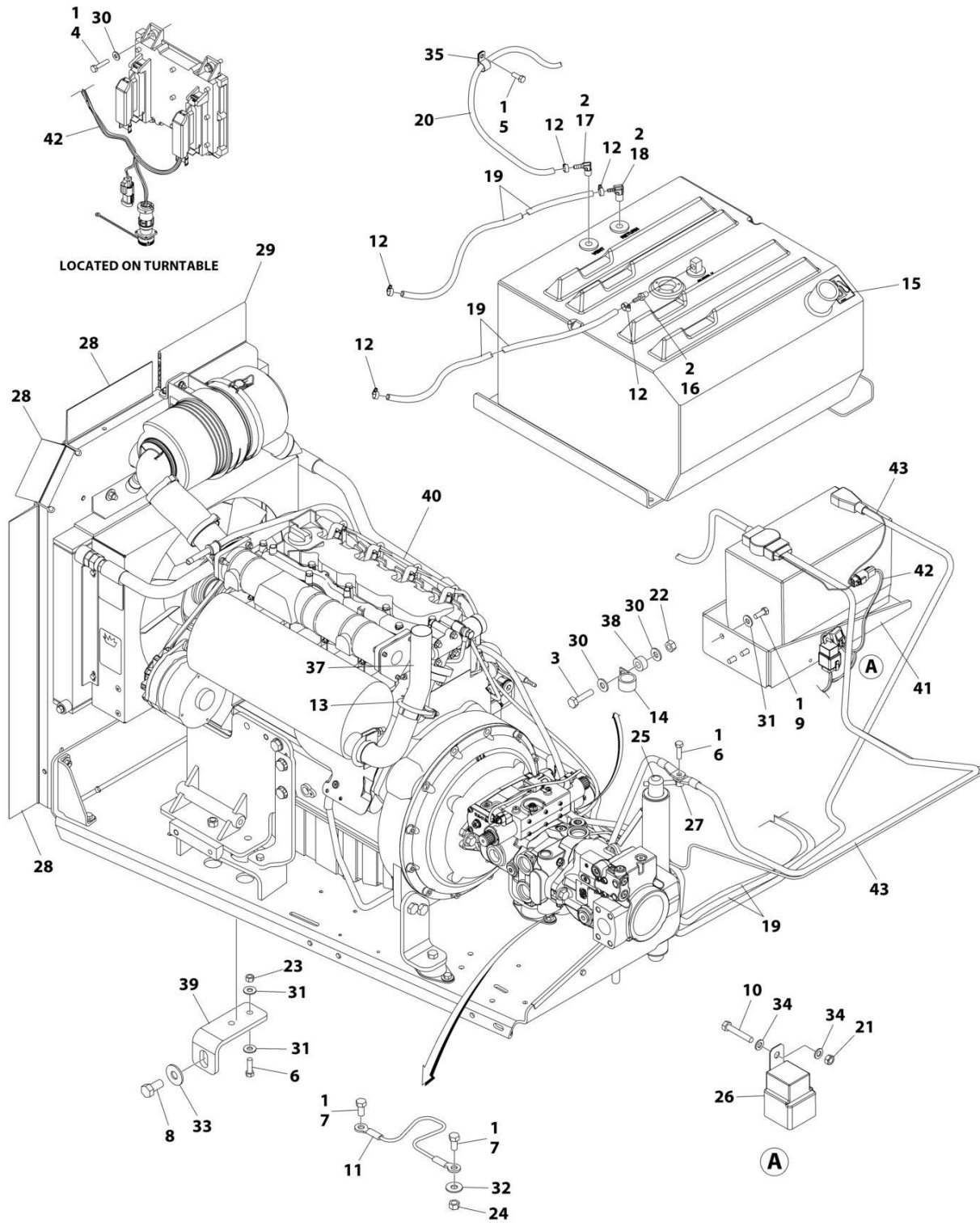
## SECTION 3 - ENGINE

| ITEM | PART NUMBER | QTY | DESCRIPTION                               | REV |
|------|-------------|-----|---|-----|
| 47E  | 7027094     | 1   | Cable (Red) (Battery + to Relays/Starter) |     |
| 47F  | 7027095     | 1   | Cable (Red) (Aux Relay to Aux Pump)       |     |
| 48   | 1001162497  | 1   | Bracket                                   |     |
| 50   | 1320224     | 1   | Clamp                                     |     |
| 51   | 0641409     | 1   | Bolt 1/4 x 1-1/8                          |     |
| 52   | 3311405     | 1   | Nut 1/4                                   |     |
| 53   | 1001110425  | 1   | Spacer                                    |     |



# SECTION 3 - ENGINE

## FIGURE 3-3. DEUTZ D2011 ENGINE INSTALLATION (HIGH TEMP MARKETS)



ART\_1001243993

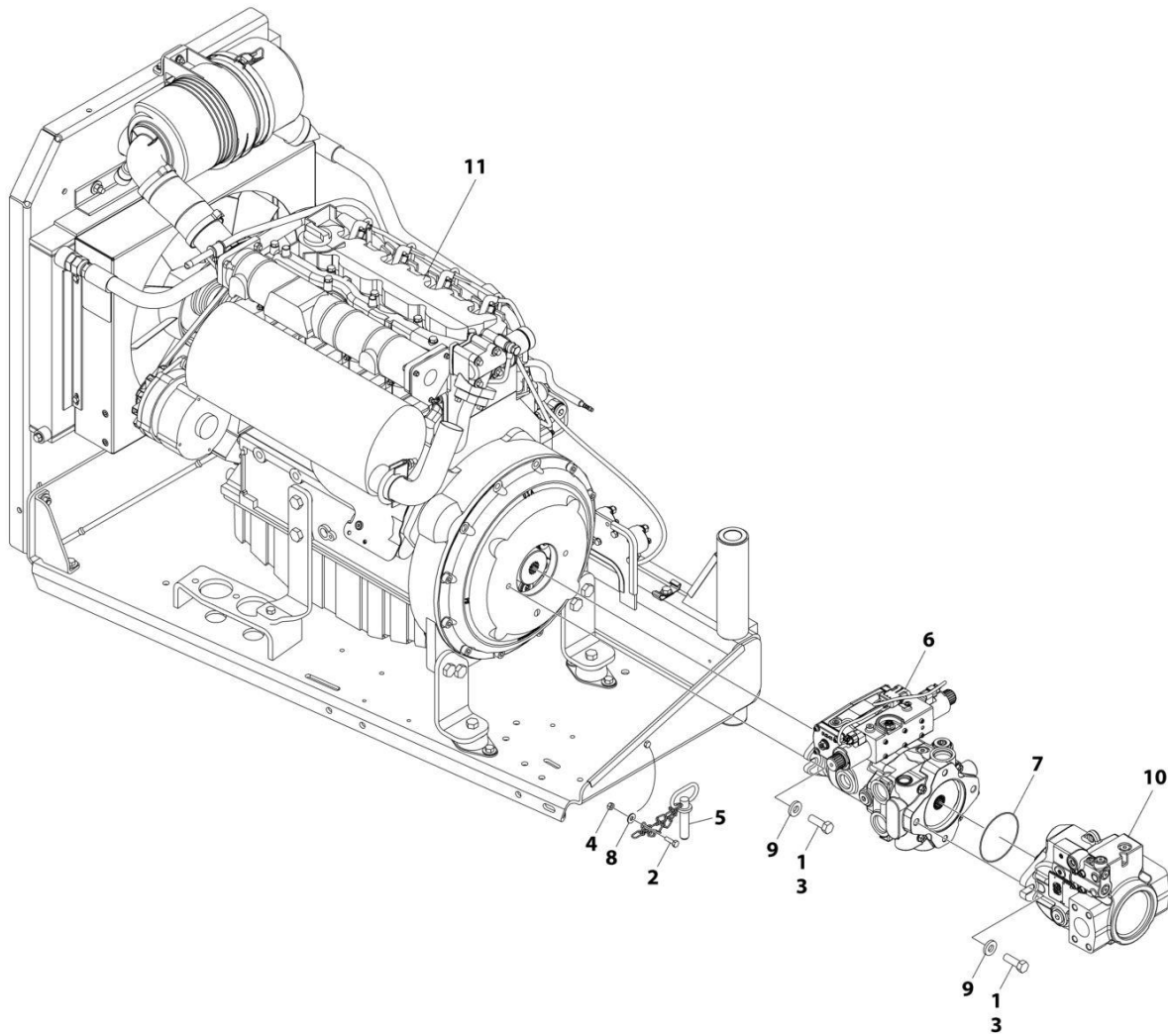
## SECTION 3 - ENGINE

**FIGURE 3-3. DEUTZ D2011 ENGINE INSTALLATION (HIGH TEMP MARKETS)**

| ITEM | PART NUMBER | QTY            | DESCRIPTION  | REV |
|------|-------------|----------------|--|-----|
|      | 1001243993  | Ref            | DEUTZ D2011 ENGINE INSTALLATION  | A   |
| 1    | 0100011     | AR             | Compound, Locking  |     |
| 2    | 0100020     | AR             | Sealant, Pipe  |     |
| 3    | 0641409     | 1              | Bolt 1/4 x 1-1/8   |     |
| 4    | 0641410     | 4              | Bolt 1/4 x 1-1/4   |     |
| 5    | 0641608     | 1              | Bolt 3/8 x 1   |     |
| 6    | 0641610     | 3              | Bolt 3/8 x 1-1/4   |     |
| 7    | 0641808     | 2              | Bolt 1/2 x 1   |     |
| 8    | 0642010     | 1              | Bolt 5/8 x 1-1/4   |     |
| 9    | 0681608     | 3              | Bolt 3/8 x 1 Grade 8   |     |
| 10   | 0760514     | 1              | Bolt M5 x 30   |     |
| 11   | 1060637     | 1              | Cable, Lanyard   |     |
| 12   | 1320022     | 5              | Clamp, Hose  |     |
| 13   | 1320176     | 1              | Clamp  |     |
| 14   | 1320224     | 1              | Clamp  |     |
| 15   | 1701505     | 1              | Decal - Diesel   |     |
| 16   | 2180348     | 1              | Fitting, Straight Barbed   |     |
| 17   | 2220313     | 1              | Fitting, Elbow   |     |
| 18   | 2221176     | 1              | Fitting, Elbow Barbed  |     |
| 19   | 2720058     | 30 ft/<br>9.2m | Hose   |     |
| 20   | 2750532     | 7 ft/ 2.1m     | Hose   |     |
| 21   | 3290501     | 1              | Nut M5   |     |
| 22   | 3311405     | 1              | Nut 1/4  |     |
| 23   | 3311605     | 2              | Nut 3/8  |     |
| 24   | 3311801     | 1              | Nut 1/2  |     |
| 25   | 3422446     | 1              | Pin, Pivot   |     |
| 26   | 3740080     | 1              | Relay  |     |
| 27   | 3841143     | 1              | Pin, Keeper  |     |
| 28   | 3960548     | 44 in/<br>1.1m | Seal   |     |
| 29   | 3960549     | 11 in/<br>28cm | Seal   |     |
| 30   | 4711400     | 6              | Washer 1/4   |     |
| 31   | 4751600     | 7              | Washer 3/8   |     |
| 32   | 4751800     | 1              | Washer 1/2   |     |
| 33   | 4752000     | 1              | Washer 5/8   |     |
| 34   | 4811600     | 2              | Washer M5  |     |
| 35   | 8406102     | 1              | Clip   |     |
| 36   | 1001004720  | AR             | Tie-Strap (Not Shown)  |     |
| 37   | 1001101600  | 1              | Tube, Exhaust  |     |
| 38   | 1001110425  | 1              | Spacer   |     |
| 39   | 1001151070  | 1              | Plate  |     |
| 40   | 1001154236  | 1              | Engine and Pump Assembly without Arctic Package (See Separate Breakdown in this Section) |     |
| 41   | 1001162497  | 1              | Bracket  |     |
| 42   | 1001243366  | 1              | Harness, ECU Jumper  |     |
| 43   | 1001243992  | 1              | Battery Cable Kit  |     |

# SECTION 3 - ENGINE

FIGURE 3-4. DEUTZ D2011 ENGINE AND PUMP SUB-ASSEMBLY (WITHOUT ARCTIC PACKAGE)



ART\_1001154236

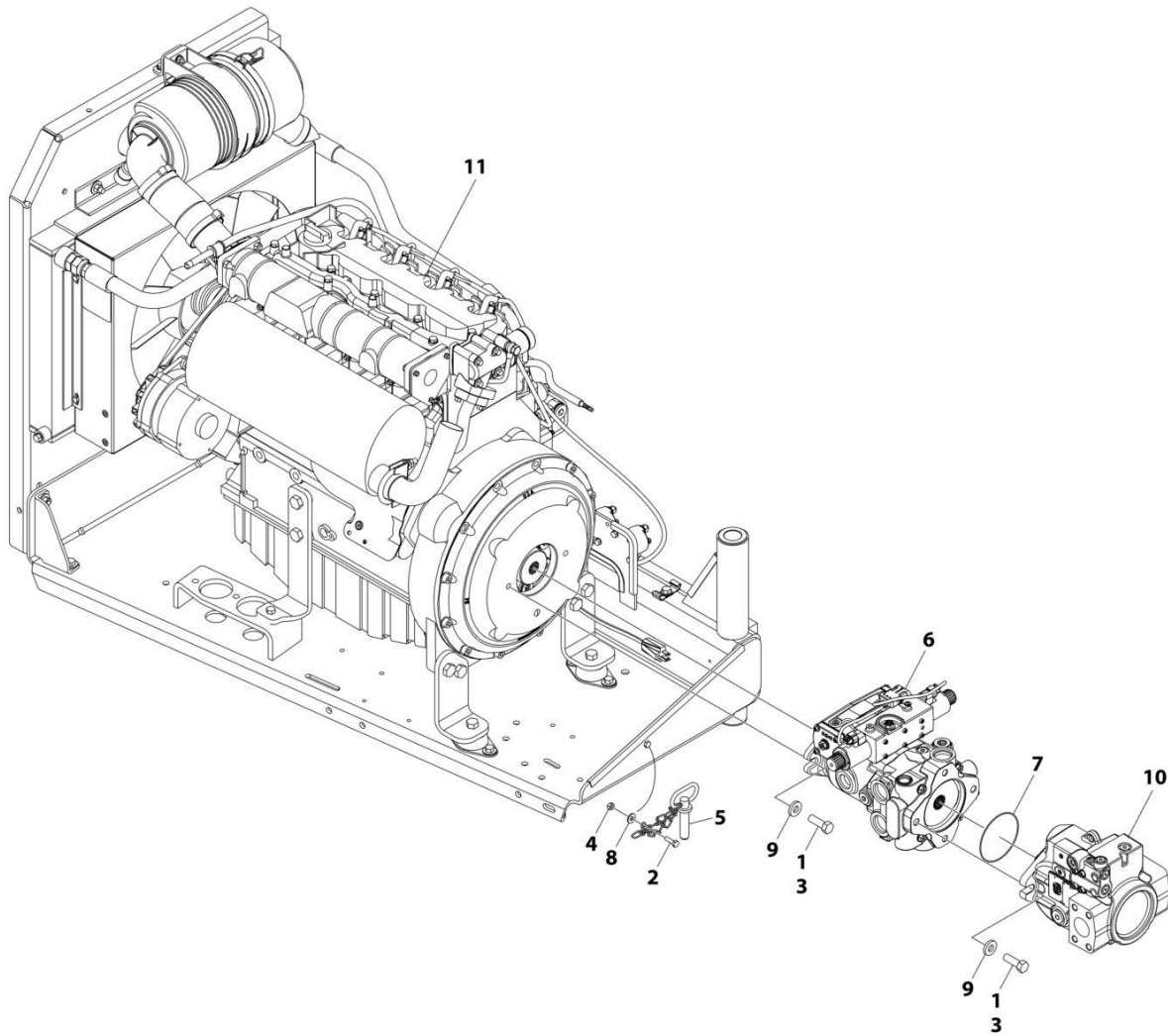
## SECTION 3 - ENGINE

**FIGURE 3-4. DEUTZ D2011 ENGINE AND PUMP SUB-ASSEMBLY (WITHOUT ARCTIC PACKAGE)**

| ITEM | PART NUMBER | QTY | DESCRIPTION  | REV |
|------|-------------|-----|--|-----|
|      | 1001154236  | Ref | DEUTZ D2011 ENGINE AND PUMP SUB-ASSEMBLY (WITHOUT ARCTIC PACKAGE)                | D   |
| 1    | 0100011     | AR  | Compound, Locking  |     |
| 2    | 0641407     | 1   | Bolt 1/4 x 7/8   |     |
| 3    | 0641812     | 4   | Bolt 1/2 x 1-1/2   |     |
| 4    | 3311405     | 1   | Nut 1/4  |     |
| 5    | 3422532     | 1   | Pin, Hitch   |     |
| 6    | 1001225745  | 1   | Hydrostatic Pump Assembly with Fittings (See Separate Breakdown in this Section) |     |
| 7    | 3790044     | 1   | O-Ring   |     |
| 8    | 4751400     | 1   | Washer 1/4   |     |
| 9    | 4891800     | 4   | Washer 1/2   |     |
| 10   | 1001094595  | 1   | Variable Pump Assembly with Fittings (See Separate Breakdown in this Section)    |     |
| 11   | 1001153396  | 1   | Engine Assembly Without Arctic Package (See Separate Breakdown in this Section)  |     |

# SECTION 3 - ENGINE

## FIGURE 3-5. DEUTZ D2011 ENGINE AND PUMP SUB-ASSEMBLY (WITH ARCTIC PACKAGE)



ART\_1001154237



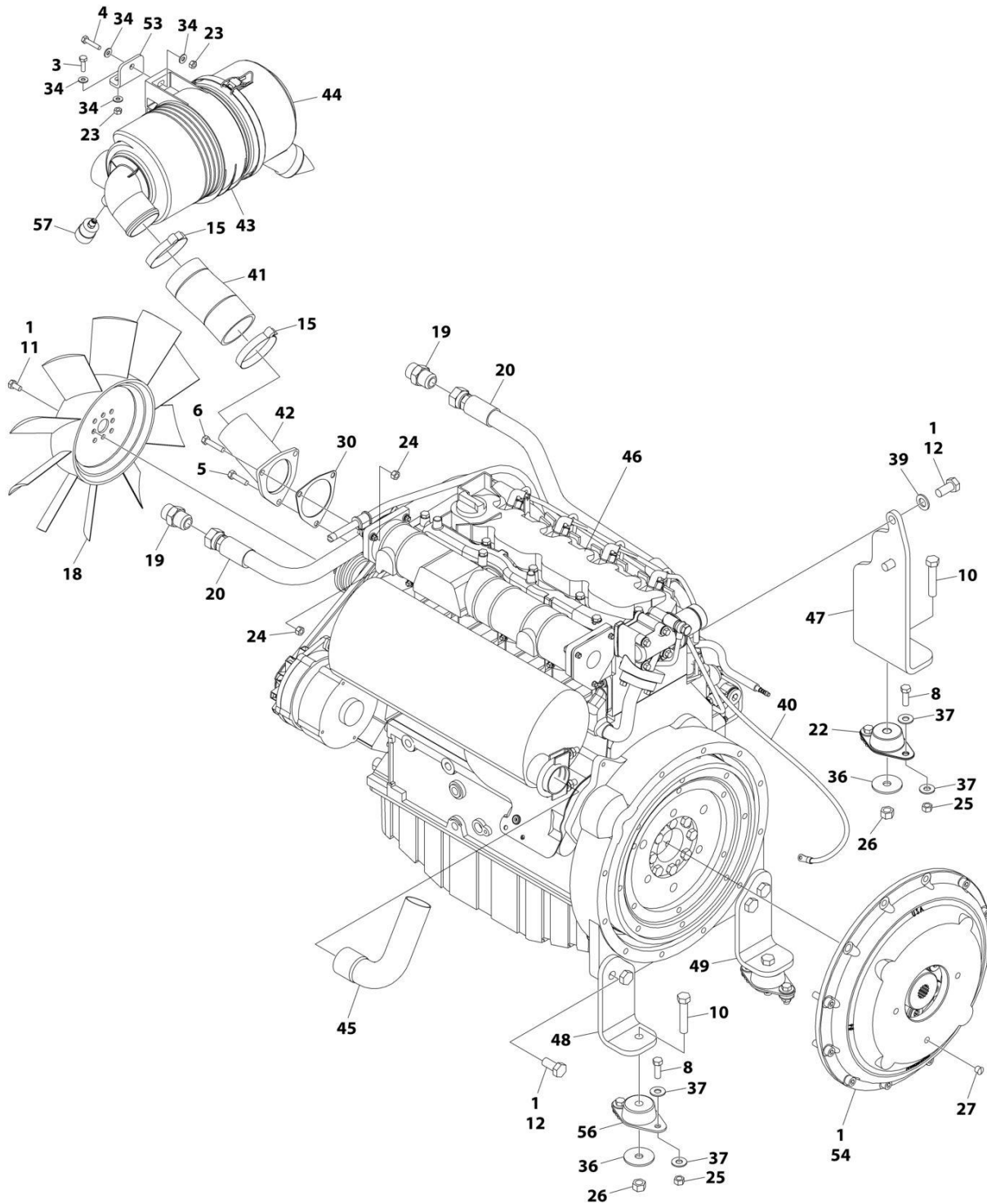
## SECTION 3 - ENGINE

**FIGURE 3-5. DEUTZ D2011 ENGINE AND PUMP SUB-ASSEMBLY (WITH ARCTIC PACKAGE)**

| ITEM | PART NUMBER | QTY | DESCRIPTION  | REV |
|------|-------------|-----|--|-----|
|      | 1001154237  | Ref | DEUTZ D2011 ENGINE AND PUMP SUB-ASSEMBLY (WITH ARCTIC PACKAGE)                   | D   |
| 1    | 0100011     | AR  | Compound, Locking  |     |
| 2    | 0641407     | 1   | Bolt 1/4 x 7/8   |     |
| 3    | 0641812     | 4   | Bolt 1/2 x 1-1/2   |     |
| 4    | 3311405     | 1   | Nut 1/4  |     |
| 5    | 3422532     | 1   | Pin, Hitch   |     |
| 6    | 1001225745  | 1   | Hydrostatic Pump Assembly with Fittings (See Separate Breakdown in this Section) |     |
| 7    | 3790044     | 1   | O-Ring   |     |
| 8    | 4751400     | 1   | Washer 1/4   |     |
| 9    | 4891800     | 4   | Washer 1/2   |     |
| 10   | 1001094595  | 1   | Variable Pump Assembly with Fittings (See Separate Breakdown in this Section)    |     |
| 11   | 1001153779  | 1   | Engine Assembly With Arctic Package (See Separate Breakdown in this Section)     |     |

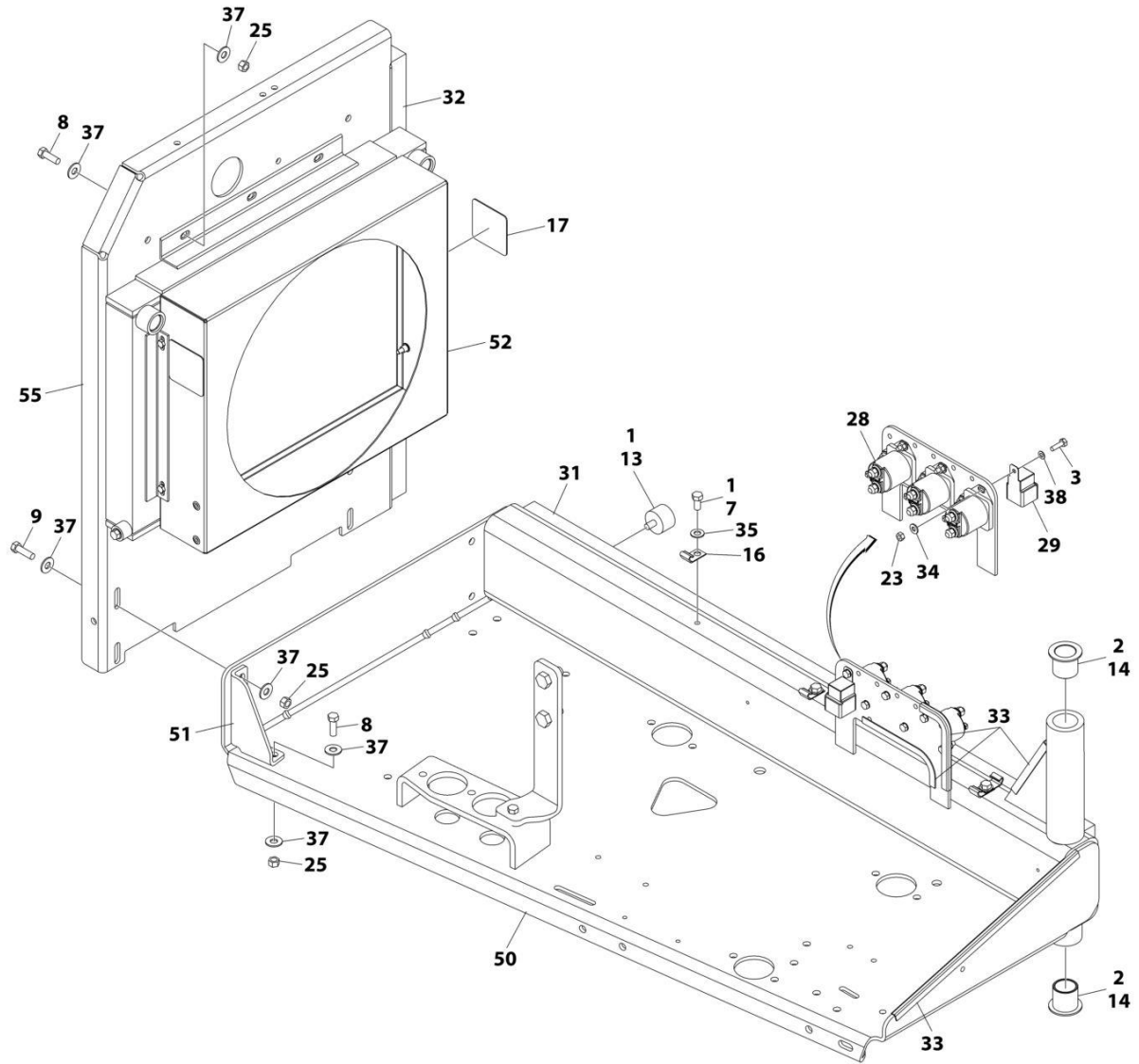
# SECTION 3 - ENGINE

## FIGURE 3-6. DEUTZ D2011 ENGINE ASSEMBLY (WITHOUT ARCTIC PACKAGE)



ART\_1001153396\_10F2

# SECTION 3 - ENGINE



ART\_1001153396\_20F2

## SECTION 3 - ENGINE

FIGURE 3-6. DEUTZ D2011 ENGINE ASSEMBLY (WITHOUT ARCTIC PACKAGE)

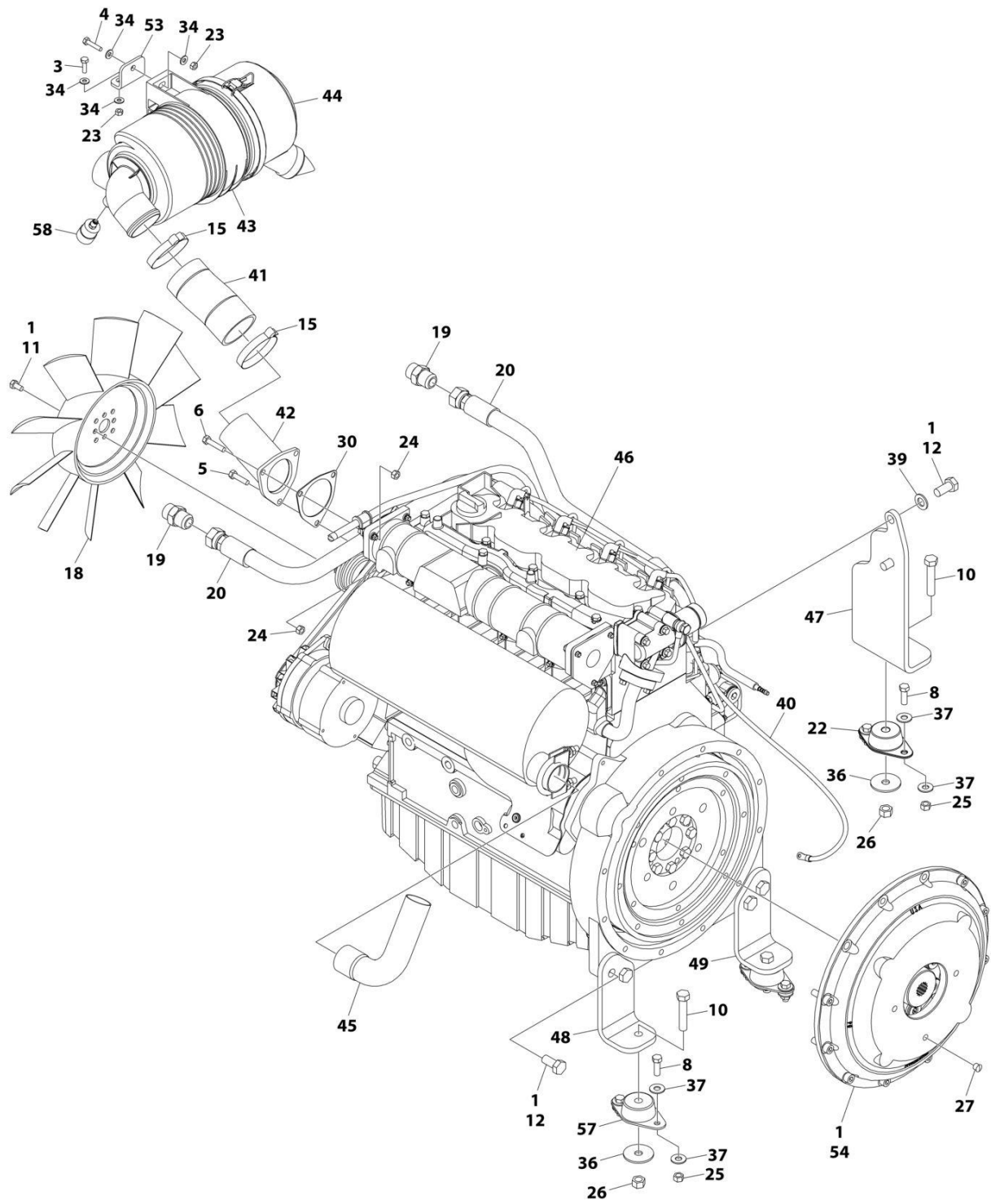
| ITEM | PART NUMBER | QTY      | DESCRIPTION  | REV |
|------|-------------|----------|--|-----|
|      | 1001153396  | Ref      | ENGINE ASSEMBLY WITHOUT ARCTIC PACKAGE                       | D   |
| 1    | 0100011     | AR       | Compound, Locking  |     |
| 2    | 0100062     | AR       | Compound, Locking  |     |
| 3    | 0641407     | 8        | Bolt 1/4 x 7/8   |     |
| 4    | 0641410     | 2        | Bolt 1/4 x 1-1/4   |     |
| 5    | 0641510     | 2        | Bolt 5/16 x 1-1/4  |     |
| 6    | 0641512     | 1        | Bolt 5/16 x 1-1/2  |     |
| 7    | 0641606     | 3        | Bolt 3/8 x 3/4   |     |
| 8    | 0641609     | 14       | Bolt 3/8 x 1-1/8   |     |
| 9    | 0641610     | 4        | Bolt 3/8 x 1-1/4   |     |
| 10   | 0641820     | 3        | Bolt 1/2 x 2-1/2   |     |
| 11   | 0700808     | 4        | Bolt M8 x 16   |     |
| 12   | 0771414     | 6        | Bolt M14 x 30  |     |
| 13   | 0940070     | 1        | Bumper   |     |
| 14   | 0961986     | 2        | Bushing, Flanged   |     |
| 15   | 1320016     | 2        | Clamp  |     |
| 16   | 1320223     | 4        | J-Clip   |     |
| 17   | 1703162     | 2        | Decal - Caution Fan Blade                                    |     |
| 18   | 2060025     | 1        | Fan  |     |
| 19   | 2220451     | 2        | Fitting, Straight  |     |
| 20   | 2720398     | 2        | Hose, Oil Cooler   |     |
| 22   | 3200406     | 1        | Mount, Motor   |     |
| 23   | 3311405     | 10       | Nut 1/4  |     |
| 24   | 3311505     | 3        | Nut 5/16   |     |
| 25   | 3311605     | 18       | Nut 3/8  |     |
| 26   | 3311805     | 3        | Nut 1/2  |     |
| 27   | 3520054     | 2        | Plug   |     |
| 28   | 3740067     | 3        | Relay  |     |
| 29   | 3740080     | 1        | Relay  |     |
| 30   | 3960407     | 1        | Gasket, Air Intake   |     |
| 31   | 3960468     | 1        | Seal   |     |
| 32   | 3960469     | 1        | Seal   |     |
| 33   | 4060805     | 37 in/1m | Flex-Trim  |     |
| 34   | 4711400     | 14       | Washer 1/4   |     |
| 35   | 4711600     | 3        | Washer 3/8   |     |
| 36   | 4740274     | 3        | Washer, Snubbing   |     |
| 37   | 4751600     | 36       | Washer 3/8   |     |
| 38   | 4791400     | 6        | Washer, Star 1/4   |     |
| 39   | 4812200     | 2        | Washer M14   |     |
| 40   | 4923379     | 1        | Harness, Glow Plug   |     |
| 41   | 1001001939  | 1        | Hose, Flex   |     |
| 42   | 1001146273  | 1        | Adapter, Air Intake  |     |
| 43   | 1001147812  | 1        | Clamp  |     |
| 44   | 1001147813  | 1        | Air Cleaner Assembly Filter Element                          |     |
| 44   | 70004020    | 1        | Element, Filter (Not Shown)                                  |     |
| 45   | 1001147820  | 1        | Pipe, Exhaust  |     |
| 46   | 1001147823  | 1        | Engine, Deutz D2011 (See Separate Breakdown in this section) |     |
| 47   | 1001149704  | 1        | Support, Engine  |     |
| 48   | 1001149705  | 1        | Support, Engine  |     |
| 49   | 1001149706  | 1        | Support, Engine  |     |

## SECTION 3 - ENGINE

| ITEM | PART NUMBER | QTY | DESCRIPTION  | REV |
|------|-------------|-----|--|-----|
| 50   | 1001149793  | 1   | Tray, Engine   |     |
| 51   | 1001150915  | 1   | Gusset   |     |
| 52   | 1001150998  | 1   | Radiator   |     |
| 53   | 1001152459  | 1   | Plate, Air Cleaner Mounting                                |     |
| 54   | 1001153282  | 1   | Pump Coupling Kit (See Separate Breakdown in this section) |     |
| 55   | 1001153414  | 1   | Plate, Radiator Mounting                                   |     |
| 56   | 3200401     | 2   | Mount, Motor   |     |
| 57   | 1001143390  | 1   | Indicator  |     |

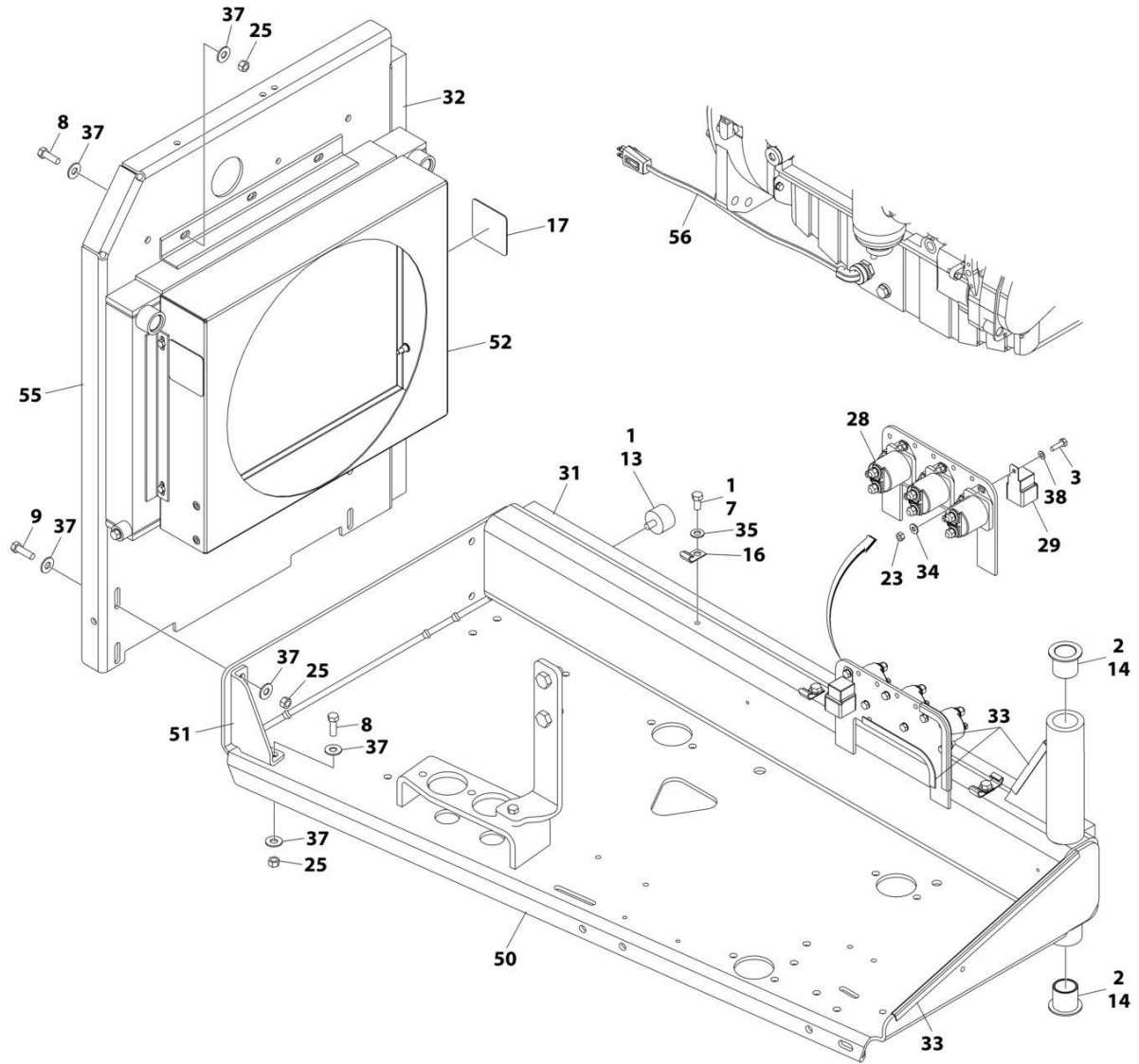
# SECTION 3 - ENGINE

## FIGURE 3-7. DEUTZ D2011 ENGINE ASSEMBLY (WITH ARCTIC PACKAGE)



ART\_1001153779\_10F2

# SECTION 3 - ENGINE



ART\_1001153779\_2OF2

## SECTION 3 - ENGINE

FIGURE 3-7. DEUTZ D2011 ENGINE ASSEMBLY (WITH ARCTIC PACKAGE)

| ITEM | PART NUMBER | QTY      | DESCRIPTION  | REV |
|------|-------------|----------|--|-----|
|      | 1001153779  | Ref      | ENGINE ASSEMBLY WITH ARCTIC PACKAGE                          | D   |
| 1    | 0100011     | AR       | Compound, Locking  |     |
| 2    | 0100062     | AR       | Compound, Locking  |     |
| 3    | 0641407     | 8        | Bolt 1/4 x 7/8   |     |
| 4    | 0641410     | 2        | Bolt 1/4 x 1-1/4   |     |
| 5    | 0641510     | 2        | Bolt 5/16 x 1-1/4  |     |
| 6    | 0641512     | 1        | Bolt 5/16 x 1-1/2  |     |
| 7    | 0641606     | 3        | Bolt 3/8 x 3/4   |     |
| 8    | 0641609     | 14       | Bolt 3/8 x 1-1/8   |     |
| 9    | 0641610     | 4        | Bolt 3/8 x 1-1/4   |     |
| 10   | 0641820     | 3        | Bolt 1/2 x 2-1/2   |     |
| 11   | 0700808     | 4        | Bolt M8 x 16   |     |
| 12   | 0771414     | 6        | Bolt M14 x 30  |     |
| 13   | 0940070     | 1        | Bumper   |     |
| 14   | 0961986     | 2        | Bushing, Flanged   |     |
| 15   | 1320016     | 2        | Clamp  |     |
| 16   | 1320223     | 4        | J-Clip   |     |
| 17   | 1703162     | 2        | Decal - Caution Fan Blade                                    |     |
| 18   | 2060025     | 1        | Fan  |     |
| 19   | 2220451     | 2        | Fitting, Straight  |     |
| 20   | 2720398     | 2        | Hose, Oil Cooler   |     |
| 22   | 3200406     | 1        | Mount, Motor   |     |
| 23   | 3311405     | 10       | Nut 1/4  |     |
| 24   | 3311505     | 3        | Nut 5/16   |     |
| 25   | 3311605     | 18       | Nut 3/8  |     |
| 26   | 3311805     | 3        | Nut 1/2  |     |
| 27   | 3520054     | 2        | Plug   |     |
| 28   | 3740067     | 3        | Relay  |     |
| 29   | 3740080     | 1        | Relay  |     |
| 30   | 3960407     | 1        | Gasket, Air Intake   |     |
| 31   | 3960468     | 1        | Seal   |     |
| 32   | 3960469     | 1        | Seal   |     |
| 33   | 4060805     | 37 in/1m | Flex-Trim  |     |
| 34   | 4711400     | 14       | Washer 1/4   |     |
| 35   | 4711600     | 3        | Washer 3/8   |     |
| 36   | 4740274     | 3        | Washer, Snubbing   |     |
| 37   | 4751600     | 36       | Washer 3/8   |     |
| 38   | 4791400     | 6        | Washer, Star 1/4   |     |
| 39   | 4812200     | 2        | Washer M14   |     |
| 40   | 4923379     | 1        | Harness, Glow Plug   |     |
| 41   | 1001001939  | 1        | Hose, Flex   |     |
| 42   | 1001146273  | 1        | Adapter, Air Intake  |     |
| 43   | 1001147812  | 1        | Clamp  |     |
| 44   | 1001147813  | 1        | Air Cleaner Assembly Filter Element                          |     |
| 44   | 70004020    | 1        | Element, Filter (Not Shown)                                  |     |
| 45   | 1001147820  | 1        | Pipe, Exhaust  |     |
| 46   | 1001147823  | 1        | Engine, Deutz D2011 (See Separate Breakdown in this Section) |     |
| 47   | 1001149704  | 1        | Support, Engine  |     |
| 48   | 1001149705  | 1        | Support, Engine  |     |
| 49   | 1001149706  | 1        | Support, Engine  |     |

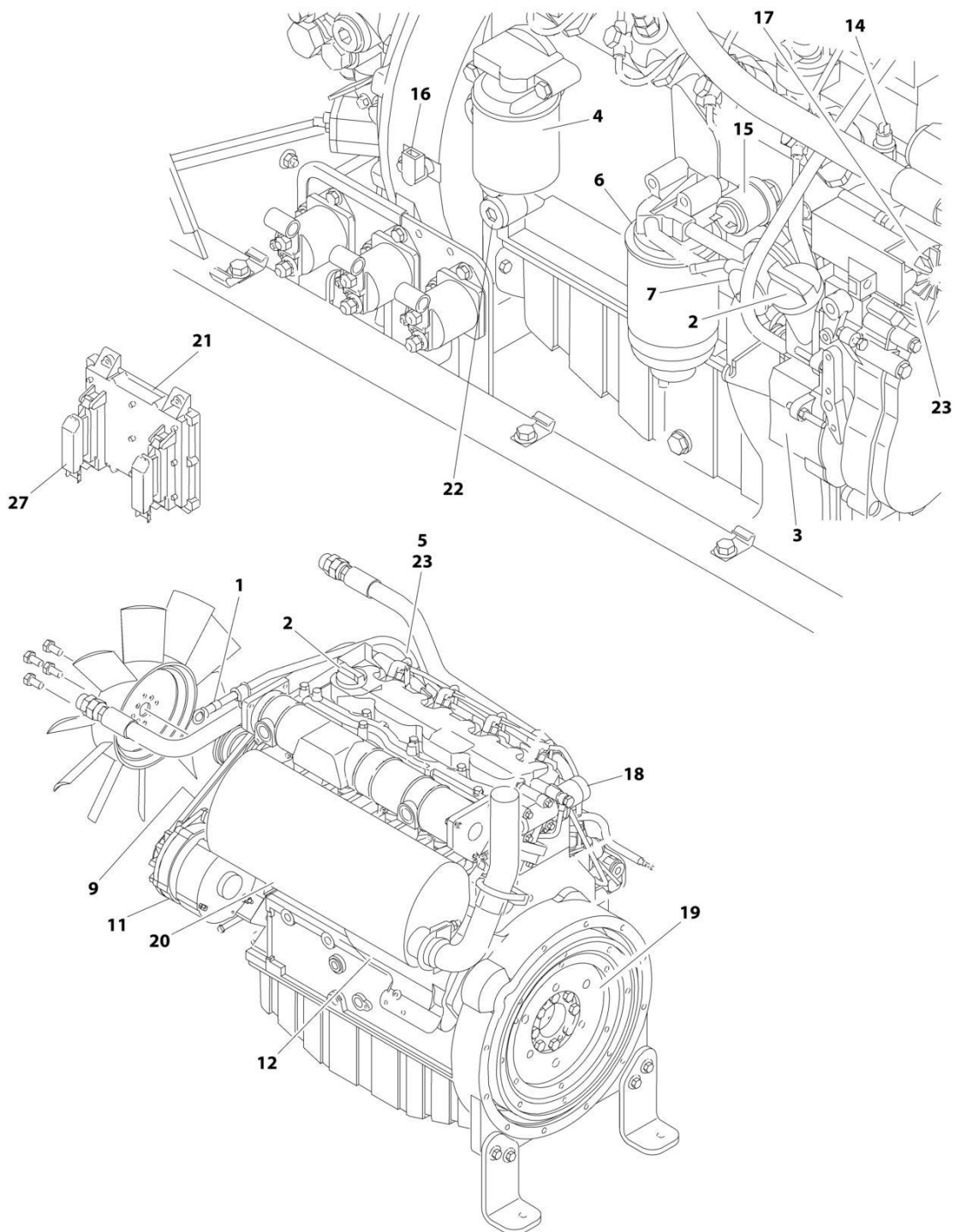


## SECTION 3 - ENGINE

| ITEM | PART NUMBER | QTY | DESCRIPTION  | REV |
|------|-------------|-----|--|-----|
| 50   | 1001149793  | 1   | Tray, Engine   |     |
| 51   | 1001150915  | 1   | Gusset   |     |
| 52   | 1001150998  | 1   | Radiator   |     |
| 53   | 1001152459  | 1   | Plate, Air Cleaner Mounting                                |     |
| 54   | 1001153282  | 1   | Pump Coupling Kit (See Separate Breakdown in this Section) |     |
| 55   | 1001153414  | 1   | Plate, Radiator Mounting                                   |     |
| 56   | 2580062     | 1   | Heater, Block  |     |
| 57   | 3200401     | 2   | Mount, Motor   |     |
| 58   | 1001143390  | 1   | Indicator  |     |

# SECTION 3 - ENGINE

## FIGURE 3-8. DEUTZ D2011 ENGINE COMPONENTS



ART\_1001147823

## SECTION 3 - ENGINE

**FIGURE 3-8. DEUTZ D2011 ENGINE COMPONENTS**

| ITEM | PART NUMBER | QTY | DESCRIPTION  | REV |
|------|-------------|-----|--|-----|
|      | 1001147823  | Ref | ENGINE COMPONENTS  | B   |
| 1    | 70004287    | 1   | Dipstick   |     |
| 1    | 70000044    | 1   | Seal, Dipstick   |     |
| 1    | 70001002    | 1   | Tube, Dipstick   |     |
| 1    | 7020403     | 1   | Seal, Dipstick Tube                                      |     |
| 2    | 7020465     | 2   | Cap, Filler  |     |
| 3    | 70001850    | 1   | Pump, Oil Lube   |     |
| 3    | 7020468     | 1   | Seal Between Oil Pump and Engine Block (Not Shown)       |     |
| 4    | 7016331     | 1   | Filter, Oil  |     |
| 4    | 70003472    | 1   | Bracket, Oil Filter                                      |     |
| 4    | 7027236     | 1   | Sender, Temperature                                      |     |
| 4    | 70025082    | 1   | Ring, Sealing  |     |
| 5    | 70000912    | 4   | Series A Injector  |     |
| 5    | 70000913    | 4   | Series B Injector  |     |
| 5    | 70000914    | 4   | Series C Injector  |     |
| 5    | 70000915    | 4   | Series D Injector  |     |
| 5    | 70003464    | 4   | Seal/Gasket, Pump (1 Per Injector)                       |     |
| 5    | 70003478    | 4   | Injector, Fuel   |     |
| 5    | 70003136    | 4   | Seal/Gasket, Pump (1 Per Injector)                       |     |
| 6    | 7016328     | 1   | Filter, Fuel   |     |
| 6    | 70003465    | 1   | Sensor   |     |
| 6    | 70003466    | 1   | Seal, Sensor   |     |
| 7    | 70000916    | 1   | Pump, Fuel Supply  |     |
| 7    | 70001435    | 1   | Repair Kit for Fuel Supply Pump                          |     |
| 7    | 70000919    | 1   | Hand Pump for Fuel Supply Pump                           |     |
| 7    | 70000917    | 1   | O - Seal Between Fuel Pump and Engine Block              |     |
| 7    | 70000918    | 1   | O - Seal Between Fuel Pump and Hand Pump                 |     |
| 8    | 70001871    | 4   | Gasket, Intake Manifold                                  |     |
| 9    | 7020408     | 1   | V-Belt   |     |
| 10   |             | Ref | Exhaust Manifold Components (Not Shown)                  |     |
| 10   | 70001835    | 1   | Gasket, Exhaust Adapter to Exhaust Rail                  |     |
| 10   | 70001841    | 1   | Valve, Exhaust (Fits into Exhaust Adapter)               |     |
| 10   | 70001836    | 1   | Gasket, Exhaust Rail to Cylinder Head                    |     |
| 10   | 70001837    | 1   | Gasket, Exhaust Manifold to Muffler                      |     |
| 10   | 70002200    | 4   | Stud, Mounting   |     |
| 10   | See Note    | AR  | Nut, Exhaust Manifold                                    |     |
| 11   | 70004056    | 1   | Alternator   |     |
| 11   | 70001868    | 1   | Regulator, Voltage (Not Shown)                           |     |
| 11   | 70001866    | 1   | Seal, Gasket for Voltage Regulator (Not Shown)           |     |
| 11   | 70002234    | 1   | Bar, Alternator Adjustment                               |     |
| 12   | 7020479     | 1   | Starter  |     |
| 12   | 70004058    | 1   | Relay  |     |
| 13   | 70004060    | 2   | Plug-In Connector  |     |
| 14   | 7027791     | 1   | Transmitter, Temperature                                 |     |
| 15   | 7027790     | 1   | Sensor, Oil Pressure                                     |     |
| 16   | 70004272    | 1   | Sensor, Speed  |     |
| 17   | 7027792     | 1   | Throttle Actuator  |     |
| 17   | 7027276     | 2   | Spring   |     |
| 18   | 70003475    | 1   | Thermostat (Located at rear of engine block - Not Shown) |     |
| 19   | 70001870    | 1   | Flywheel with Ring Gear                                  |     |

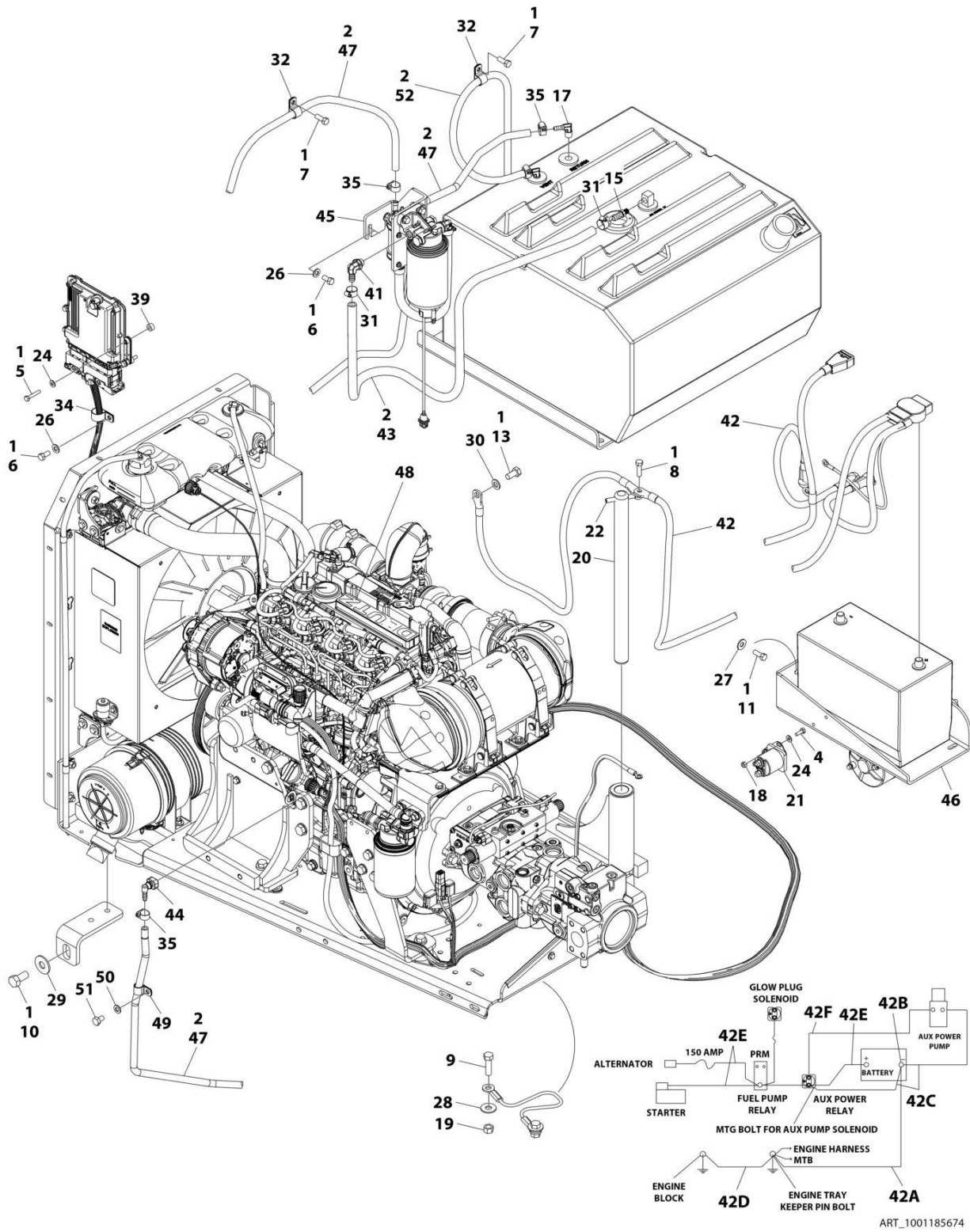
## SECTION 3 - ENGINE

| ITEM | PART NUMBER | QTY | DESCRIPTION   | REV |
|------|-------------|-----|---|-----|
| 19   | 7024579     | 1   | Gear, Ring 110 Tooth  |     |
| 20   | 7000695     | 1   | Muffler   |     |
| 20   | 70001844    | 1   | U-Ciamp   |     |
| 20   | 7020471     | 4   | Gasket  |     |
| 21   | 7027795     | 1   | Module, Control   |     |
| 22   | 70001181    | 1   | Valve, Pressure Control   |     |
| 22   | 70124410    | 1   | Spring  |     |
| 22   | 70025082    | 1   | Seal  |     |
| 22   | 70124440    | 1   | Screw, Locking  |     |
| 23   | 70000345    | 4   | Plug, Glow  |     |
| 24   | 70000800    | 1   | Camshaft Pulley Repair Kit (Not Shown)                            |     |
| 26   | 70002415    | 1   | Gasket, Head with 1 Notch (Not Shown)                             |     |
| 62   | 70002416    | 1   | Gasket, Head with 2 Notch (Not Shown)                             |     |
| 26   | 70002417    | 1   | Gasket, Head with 3 Notch (Not Shown)                             |     |
| 27   | 7027796     | 1   | Harness, Engine (Connects to Item 421)                            |     |
| 27   | 70001872    | 1   | Harness, Engine (Connects to p/n 7027796)                         |     |
| 28   |             | Ref | Gaskets and Seals - Miscellaneous (Not Shown)                     |     |
| 28   | 70004289    | 1   | Gasket Set  |     |
| 28   | 70002718    | 1   | Seal, Rear Main   |     |
| 28   | 70004280    | 1   | Seal, Front Main  |     |
| 29   | 70025752    | 1   | Valve, Pressure Relief (Not Shown - Located at Engine Front Left) |     |
| 29   | 70025753    | 1   | Spring  |     |
| 29   | 70005916    | 1   | Seal  |     |
| 29   | 70005917    | 1   | Plug, Locking   |     |



# SECTION 3 - ENGINE

FIGURE 3-9. DEUTZ TD2.9L4 ENGINE INSTALLATION (WITHOUT ARCTIC PACKAGE)



## SECTION 3 - ENGINE

**FIGURE 3-9. DEUTZ TD2.9L4 ENGINE INSTALLATION (WITHOUT ARCTIC PACKAGE)**

| ITEM | PART NUMBER | QTY               | DESCRIPTION  | REV |
|------|-------------|-------------------|--|-----|
|      | 1001185674  | Ref               | DEUTZ TD2.9L4 ENGINE INSTALLATION  | G   |
| 1    | 0100011     | AR                | Compound, Locking  |     |
| 2    | 0100020     | AR                | Sealant, Pipe  |     |
| 4    | 0641406     | 2                 | Bolt 1/4 x 3/4   |     |
| 5    | 0641412     | 4                 | Bolt 1/4 x 1-1/2   |     |
| 6    | 0641606     | 3                 | Screw 3/8 x 3/4  |     |
| 7    | 0641608     | 2                 | Screw 3/8 x 1  |     |
| 8    | 0641610     | 1                 | Screw 3/8 x 1-1/4  |     |
| 9    | 0641814     | 1                 | Bolt 1/2 x 1-3/4   |     |
| 10   | 0642010     | 1                 | Bolt 5/8 x 1-1/4   |     |
| 11   | 0681608     | 3                 | Screw 3/8 x 1 Grade 8  |     |
| 13   | 0771212     | 1                 | Bolt M12 x 25 Grade 10.9   |     |
| 14   | 1701505     | 1                 | Decal - Diesel Fuel (Not Shown Located on Fuel Tank or Hood)                 |     |
| 15   | 2180832     | 1                 | Fitting, Elbow Barbed  |     |
| 16   | 2200222     | 1                 | Plug (Not Shown - Located in Bottom of Fuel Tank)                            |     |
| 17   | 2220313     | 2                 | Fitting, Elbow   |     |
| 18   | 3311405     | 2                 | Nut 1/4  |     |
| 19   | 3311805     | 1                 | Nut 1/2  |     |
| 20   | 3422446     | 1                 | Pin, Pivot   |     |
| 21   | 3740067     | 1                 | Relay  |     |
| 22   | 3841143     | 1                 | Pin, Keeper  |     |
| 24   | 4711400     | 7                 | Washer 1/4   |     |
| 26   | 4711600     | 3                 | Washer 3/8   |     |
| 27   | 4751600     | 3                 | Washer 3/8   |     |
| 28   | 4751800     | 1                 | Washer 1/2   |     |
| 29   | 4752000     | 1                 | Washer 5/8   |     |
| 30   | 4812100     | 1                 | Washer M12   |     |
| 31   | 8405006     | 2                 | Clamp  |     |
| 32   | 8406102     | 2                 | Clip   |     |
| 34   | 8406201     | 1                 | Clip   |     |
| 35   | 8410013     | 5                 | Clamp  |     |
| 39   | 1001110425  | 4                 | Spacer   |     |
| 40   | 1001138491  | 1                 | Fuel Pump Harness (Not Shown - See Separate Breakdown in ELECTRICAL SECTION) |     |
| 41   | 1001142501  | 1                 | Fitting, Elbow Barbed  |     |
| 42   | 1001143736  | 1                 | Battery Cable Kit  |     |
| 42A  | 7027084     | 1                 | Cable, Battery (Black) (Battery - to Tray Pivot Grd)                         |     |
| 42B  | 8270147     | 1                 | Terminal, Battery (With Boot)  |     |
| 42C  | 7027085     | 1                 | Cable, Battery (Black) (Battery - to Aux Pump and Relay Grds)                |     |
| 42D  | 7027086     | 1                 | Cable, Battery (Black) (Engine to Tray Pivot Grd)                            |     |
| 42E  | 7027087     | 1                 | Cable (Red) (Battery + to Aux Relay/Power Module/Starter)                    |     |
| 42F  | 7027088     | 1                 | Cable (Red) (Aux Relay to Aux Pump)  |     |
| 43   | 1001154405  | AR                | Hose   |     |
| 44   | 1001155823  | 1                 | Fitting, Quick Disconnect Elbow  |     |
| 45   | 1001162335  | 1                 | Bracket Assembly Less Filter/Pump (See Separate Breakdown in this Section)   |     |
| 46   | 1001162497  | 1                 | Bracket, Battery   |     |
| 47   | 1001165035  | 27.5 ft/<br>8.33m | Hose   |     |
| 48   | 1001185667  | 1                 | Engine and Pump Assembly without Arctic Package (See                         |     |

## SECTION 3 - ENGINE

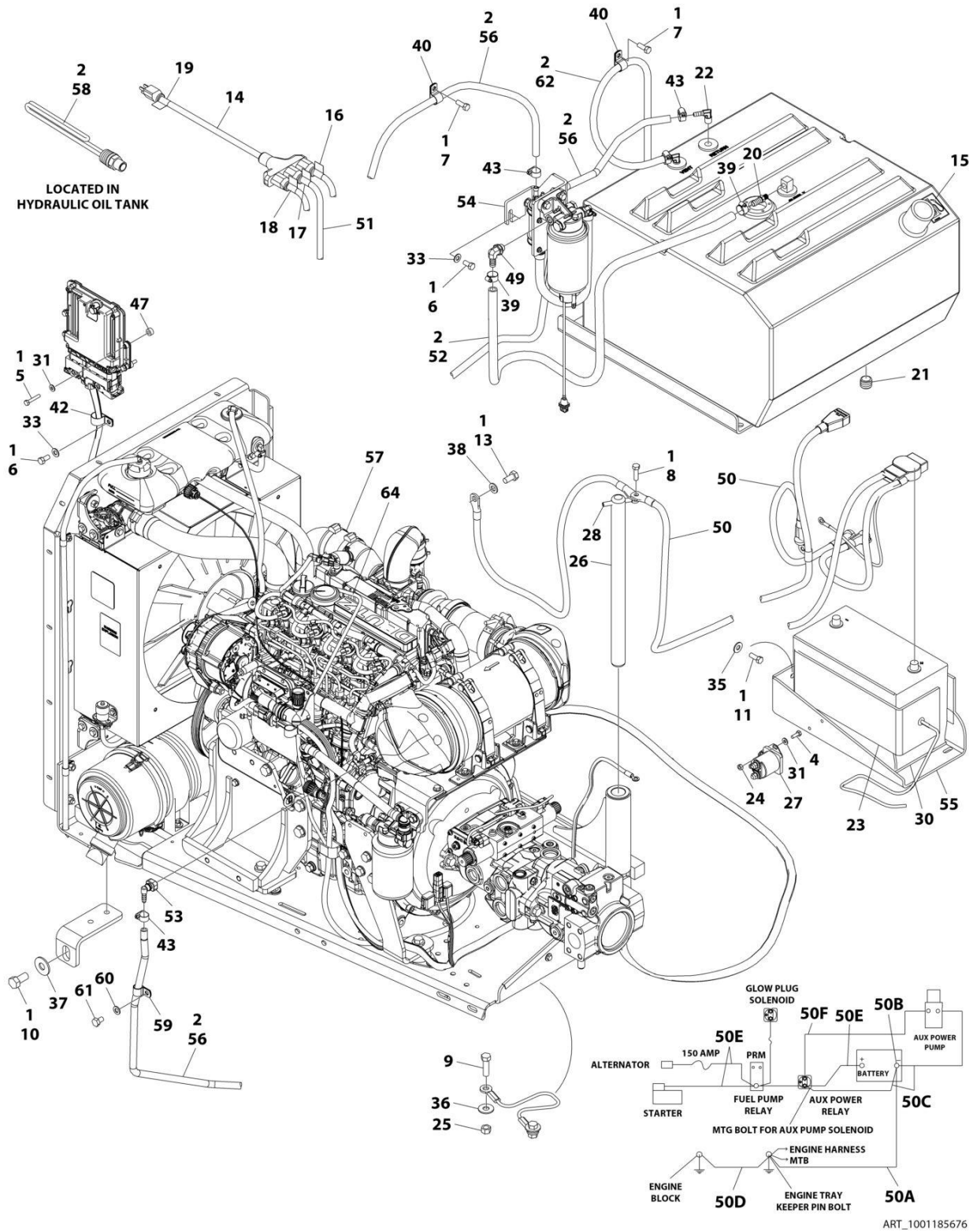
| ITEM | PART NUMBER | QTY | DESCRIPTION                         | REV |
|------|-------------|-----|-------------------------------------|-----|
|      |             |     | Separate Breakdown in this Section) |     |
| 49   | 1320061     | 1   | Clamp                               |     |
| 50   | 4812000     | 1   | Washer M10                          |     |
| 51   | 0761008     | 1   | Bolt M10 x 16                       |     |
| 52   | 2750532     | AR  | Hose                                |     |





# SECTION 3 - ENGINE

## FIGURE 3-10. DEUTZ TD2.9L4 ENGINE INSTALLATION (WITH ARCTIC PACKAGE)



## SECTION 3 - ENGINE

**FIGURE 3-10. DEUTZ TD2.9L4 ENGINE INSTALLATION (WITH ARCTIC PACKAGE)**

| ITEM | PART NUMBER | QTY | DESCRIPTION  | REV |
|------|-------------|-----|--|-----|
|      | 1001185676  | Ref | DEUTZ TD2.9L4 ENGINE INSTALLATION  | I   |
| 1    | 0100011     | AR  | Compound, Locking  |     |
| 2    | 0100020     | AR  | Sealant, Pipe  |     |
| 4    | 0641406     | 2   | Bolt 1/4 x 3/4   |     |
| 5    | 0641412     | 4   | Bolt 1/4 x 1-1/2   |     |
| 6    | 0641606     | 3   | Screw 3/8 x 3/4  |     |
| 7    | 0641608     | 2   | Screw 3/8 x 1  |     |
| 8    | 0641610     | 1   | Screw 3/8 x 1-1/4  |     |
| 9    | 0641814     | 1   | Bolt 1/2 x 1-3/4   |     |
| 10   | 0642010     | 1   | Bolt 5/8 x 1-1/4   |     |
| 11   | 0681608     | 3   | Screw 3/8 x 1 Grade 8  |     |
| 13   | 0771212     | 1   | Bolt M12 x 25 Grade 10.9   |     |
| 14   | 1060626     | 1   | Cord, 3 Way Extension  |     |
| 15   | 1701505     | 1   | Decal - Diesel Fuel  |     |
| 16   | 1702941     | 1   | Decal - Battery Heater   |     |
| 17   | 1702942     | 1   | Decal - Engine Block Heater  |     |
| 18   | 1702943     | 1   | Decal - Hydraulic Tank Heater  |     |
| 19   | 1702944     | 1   | Decal - Heater Cord  |     |
| 20   | 2180832     | 1   | Fitting, Elbow Barbed  |     |
| 21   | 2200222     | 1   | Plug   |     |
| 22   | 2220313     | 2   | Fitting, Elbow   |     |
| 23   | 2580024     | 1   | Heater, Battery  |     |
| 24   | 3311405     | 2   | Nut 1/4  |     |
| 25   | 3311805     | 1   | Nut 1/2  |     |
| 26   | 3422446     | 1   | Pin, Pivot   |     |
| 27   | 3740067     | 1   | Relay  |     |
| 28   | 3841143     | 1   | Pin, Keeper  |     |
| 30   | 3980007     | 1   | Seat, Battery  |     |
| 31   | 4711400     | 7   | Washer 1/4   |     |
| 33   | 4711600     | 3   | Washer 3/8   |     |
| 35   | 4751600     | 3   | Washer 3/8   |     |
| 36   | 4751800     | 1   | Washer 1/2   |     |
| 37   | 4752000     | 1   | Washer 5/8   |     |
| 38   | 4812100     | 1   | Washer M12   |     |
| 39   | 8405006     | 2   | Clamp  |     |
| 40   | 8406102     | 2   | Clip   |     |
| 42   | 8406201     | 1   | Clip   |     |
| 43   | 8410013     | 5   | Clamp  |     |
| 47   | 1001110425  | 4   | Spacer   |     |
| 48   | 1001138491  | 1   | Fuel Pump Harness (Not Shown - See Separate Breakdown in ELECTRICAL SECTION) |     |
| 49   | 1001142501  | 1   | Fitting, Elbow Barbed  |     |
| 50   | 1001143736  | 1   | Battery Cable Kit  |     |
| 50A  | 7027084     | 1   | Cable, Battery (Black) (Battery - to Tray Pivot Grd)                         |     |
| 50B  | 8270147     | 1   | Terminal, Battery (With Boot)  |     |
| 50C  | 7027085     | 1   | Cable, Battery (Black) (Battery - to Aux Pump and Relay Grds)                |     |
| 50D  | 7027086     | 1   | Cable, Battery (Black) (Engine to Tray Pivot Grd)                            |     |
| 50E  | 7027087     | 1   | Cable (Red) (Battery + to Aux Relay/Power Module/Starter)                    |     |
| 50F  | 7027088     | 1   | Cable (Red) (Aux Relay to Aux Pump)  |     |
| 51   | 1001150918  | 1   | Cable, Immersion Heater  |     |

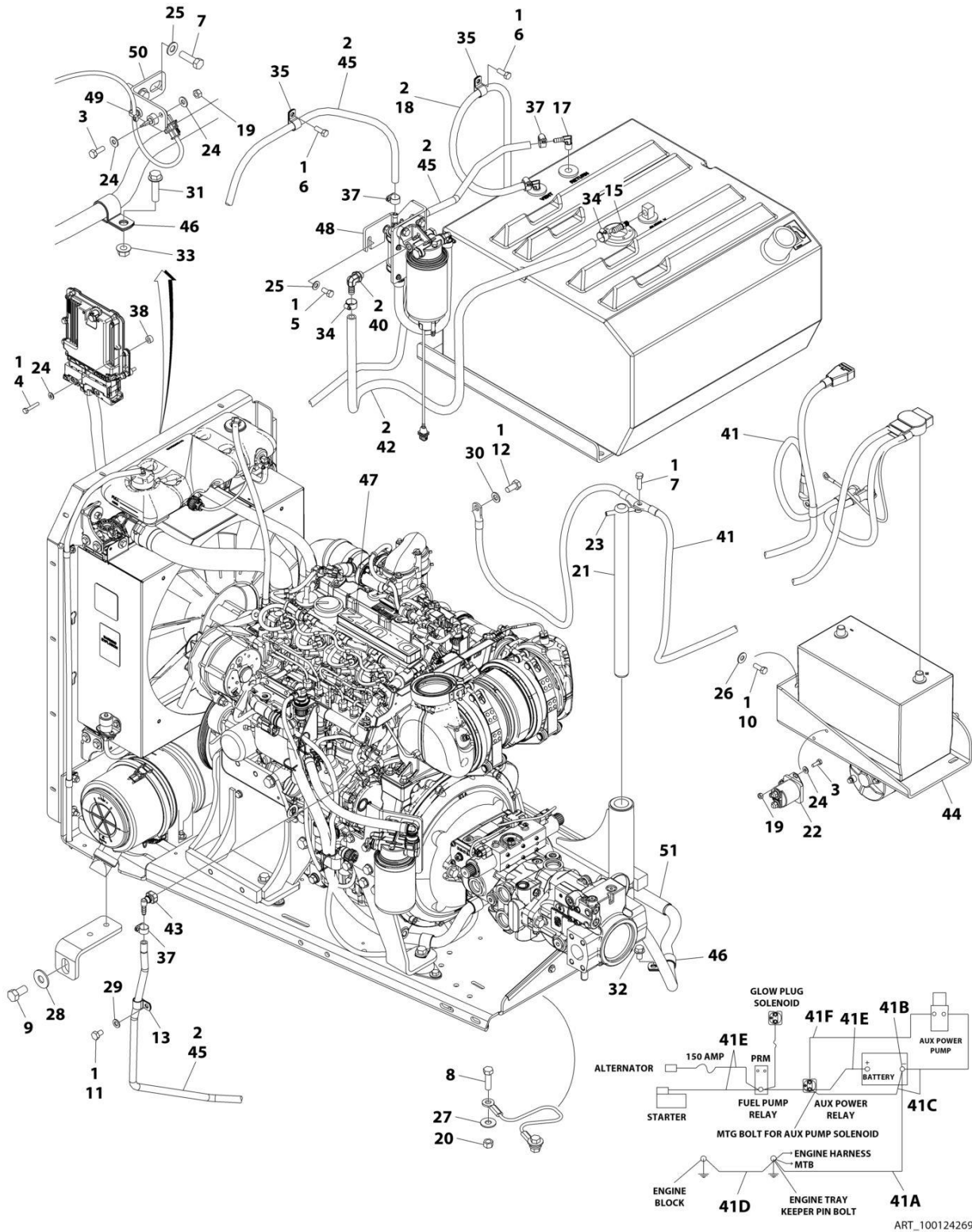
## SECTION 3 - ENGINE

| ITEM | PART NUMBER | QTY               | DESCRIPTION   | REV |
|------|-------------|-------------------|---|-----|
| 52   | 1001154405  | AR                | Hose  |     |
| 53   | 1001155823  | 1                 | Fitting, Quick Disconnect Elbow   |     |
| 54   | 1001162335  | 1                 | Bracket Assembly Less Filter/Pump (See Separate Breakdown in this Section)                        |     |
| 55   | 1001162497  | 1                 | Bracket, Battery  |     |
| 56   | 1001165035  | 27.5 ft/<br>8.38m | Hose  |     |
| 57   | 1001185671  | 1                 | Engine and Pump Assembly without Arctic Package (See Separate Breakdown in this Section)          |     |
| 58   | 1001188972  | 1                 | Heater, Hydraulic Tank  |     |
| 59   | 1320061     | 1                 | Clamp   |     |
| 60   | 4812000     | 1                 | Washer M10  |     |
| 61   | 0761008     | 1                 | Bolt M10 x 16   |     |
| 62   | 2750532     | AR                | Hose  |     |
| 64   | 1001233763  | 1                 | Deutz Breather Heater Installation (with Arctic Package) (See Separate Breakdown in this Section) |     |



# SECTION 3 - ENGINE

## FIGURE 3-11. DEUTZ TD2.9L4 (STAGE V) ENGINE INSTALLATION



## SECTION 3 - ENGINE

**FIGURE 3-11. DEUTZ TD2.9L4 (STAGE V) ENGINE INSTALLATION**

| ITEM | PART NUMBER | QTY | DESCRIPTION  | REV |
|------|-------------|-----|--|-----|
|      | 1001242696  | Ref | DEUTZ TD2.9L4 (STAGE V) ENGINE INSTALLATION                                  | F   |
| 1    | 0100011     | AR  | Compound, Locking  |     |
| 2    | 0100020     | AR  | Sealant, Pipe  |     |
| 3    | 0641406     | 3   | Bolt 1/4 x 3/4   |     |
| 4    | 0641412     | 4   | Bolt 1/4 x 1-1/2   |     |
| 5    | 0641606     | 2   | Screw 3/8 x 3/4  |     |
| 6    | 0641608     | 2   | Screw 3/8 x 1  |     |
| 7    | 0641610     | 1   | Screw 3/8 x 1-1/4  |     |
| 8    | 0641814     | 1   | Bolt 1/2 x 1-3/4   |     |
| 9    | 0642010     | 1   | Bolt 5/8 x 1-1/4   |     |
| 10   | 0681608     | 3   | Screw 3/8 x 1 Grade 8  |     |
| 11   | 0761008     | 1   | Bolt M10 x 16  |     |
| 12   | 0771212     | 1   | Bolt M12 x 25 Grade 10.9   |     |
| 13   | 1320061     | 1   | Clamp  |     |
| 14   | 1701505     | 1   | Decal - Diesel Fuel (Not Shown Located on Fuel Tank or Hood)                 |     |
| 15   | 2180832     | 1   | Fitting, Elbow Barbed  |     |
| 16   | 2200222     | 1   | Plug (Not Shown - Located in Bottom of Fuel Tank)                            |     |
| 17   | 2220313     | 2   | Fitting, Elbow   |     |
| 18   | 2750532     | AR  | Hose   |     |
| 19   | 3311405     | 3   | Nut 1/4  |     |
| 20   | 3311805     | 1   | Nut 1/2  |     |
| 21   | 3422446     | 1   | Pin, Pivot   |     |
| 22   | 3740067     | 1   | Relay  |     |
| 23   | 3841143     | 1   | Pin, Keeper  |     |
| 24   | 4711400     | 9   | Washer 1/4   |     |
| 25   | 4711600     | 4   | Washer 3/8   |     |
| 26   | 4751600     | 3   | Washer 3/8   |     |
| 27   | 4751800     | 1   | Washer 1/2   |     |
| 28   | 4752000     | 1   | Washer 5/8   |     |
| 29   | 4812000     | 1   | Washer M10   |     |
| 30   | 4812100     | 1   | Washer M12   |     |
| 31   | 5251016     | 1   | Bolt M10 x 40  |     |
| 32   | 5251210     | 1   | Bolt M12 x 20  |     |
| 33   | 5261000     | 1   | Washer M10   |     |
| 34   | 8405006     | 2   | Clamp  |     |
| 35   | 8406102     | 2   | Clip   |     |
| 37   | 8410013     | 5   | Clamp  |     |
| 38   | 1001110425  | 4   | Spacer   |     |
| 39   | 1001138491  | 1   | Fuel Pump Harness (Not Shown - See Separate Breakdown in ELECTRICAL SECTION) |     |
| 40   | 1001142501  | 1   | Fitting, Elbow Barbed  |     |
| 41   | 1001143736  | 1   | Battery Cable Kit  |     |
| 41A  | 7027084     | 1   | Cable, Battery (Black) (Battery - to Tray Pivot Grd)                         |     |
| 41B  | 8270147     | 1   | Terminal, Battery (With Boot)  |     |
| 41C  | 7027085     | 1   | Cable, Battery (Black) (Battery - to Aux Pump and Relay Grds)                |     |
| 41D  | 7027086     | 1   | Cable, Battery (Black) (Engine to Tray Pivot Grd)                            |     |
| 41E  | 7027087     | 1   | Cable (Red) (Battery + to Aux Relay/Power Module/Starter)                    |     |
| 41F  | 7027088     | 1   | Cable (Red) (Aux Relay to Aux Pump)  |     |
| 42   | 1001154405  | AR  | Hose   |     |
| 43   | 1001155823  | 1   | Fitting, Quick Disconnect Elbow  |     |

## SECTION 3 - ENGINE

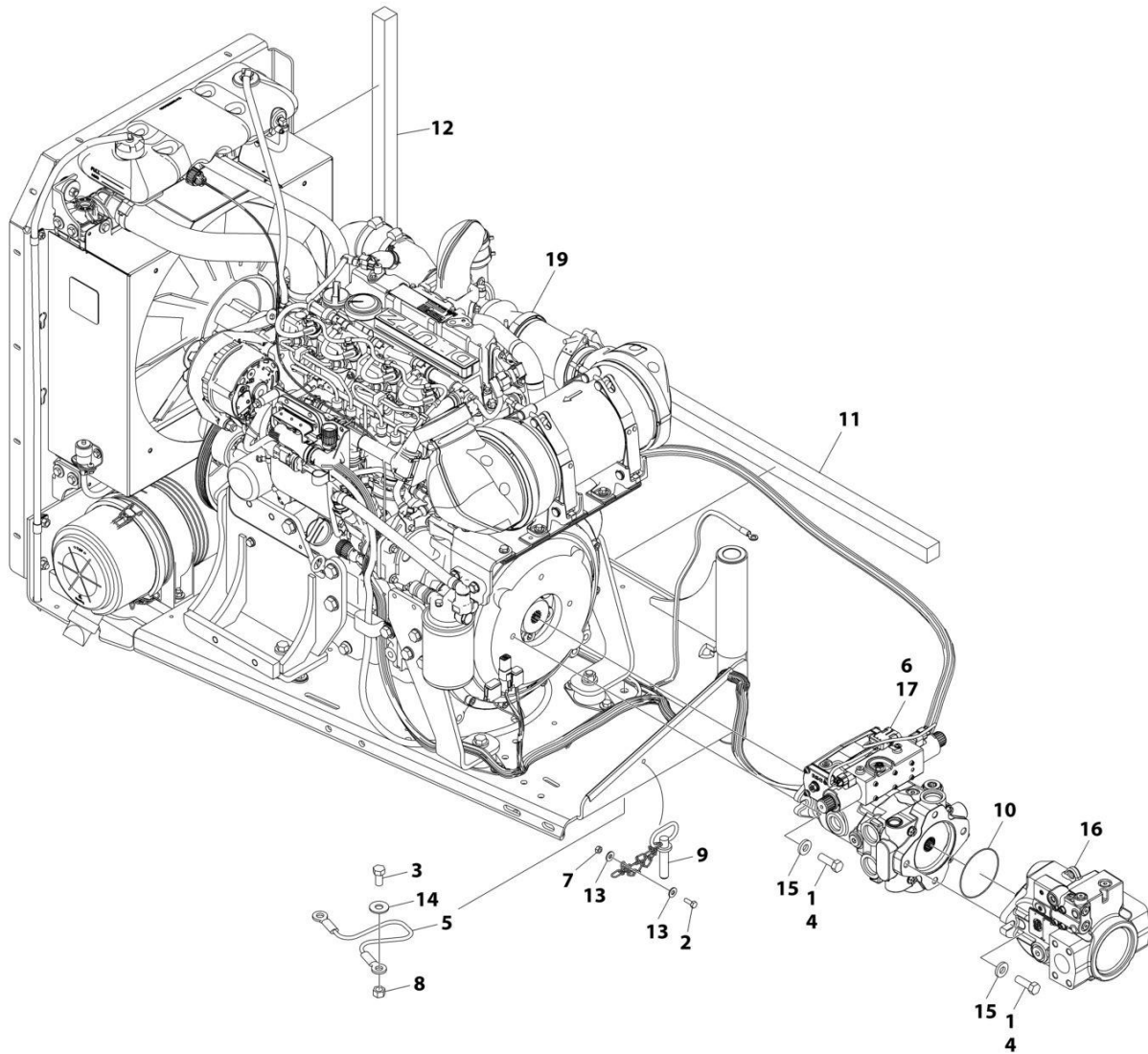
| ITEM | PART NUMBER | QTY               | DESCRIPTION  | REV |
|------|-------------|-------------------|--|-----|
| 44   | 1001162497  | 1                 | Bracket, Battery   |     |
| 45   | 1001165035  | 27.5 ft/<br>8.38m | Hose   |     |
| 46   | 1001191620  | 2                 | Clamp  |     |
| 47   | 1001235861  | 1                 | Engine and Pump Assembly without Arctic Package (See Separate Breakdown in this Section) |     |
| 48   | 1001235949  | 1                 | Bracket Assembly Less Filter/Pump (See Separate Breakdown in this Section)               |     |
| 49   | 1001146588  | 1                 | Strap  |     |
| 50   | 1001256879  | 1                 | Bracket  |     |
| 51   | 4100063     | 1                 | Sleeve, Hose Wrap  |     |





# SECTION 3 - ENGINE

FIGURE 3-12. DEUTZ TD2.9L4 ENGINE AND PUMP SUB-ASSEMBLY (WITHOUT ARCTIC PACKAGE)



ART\_1001185667

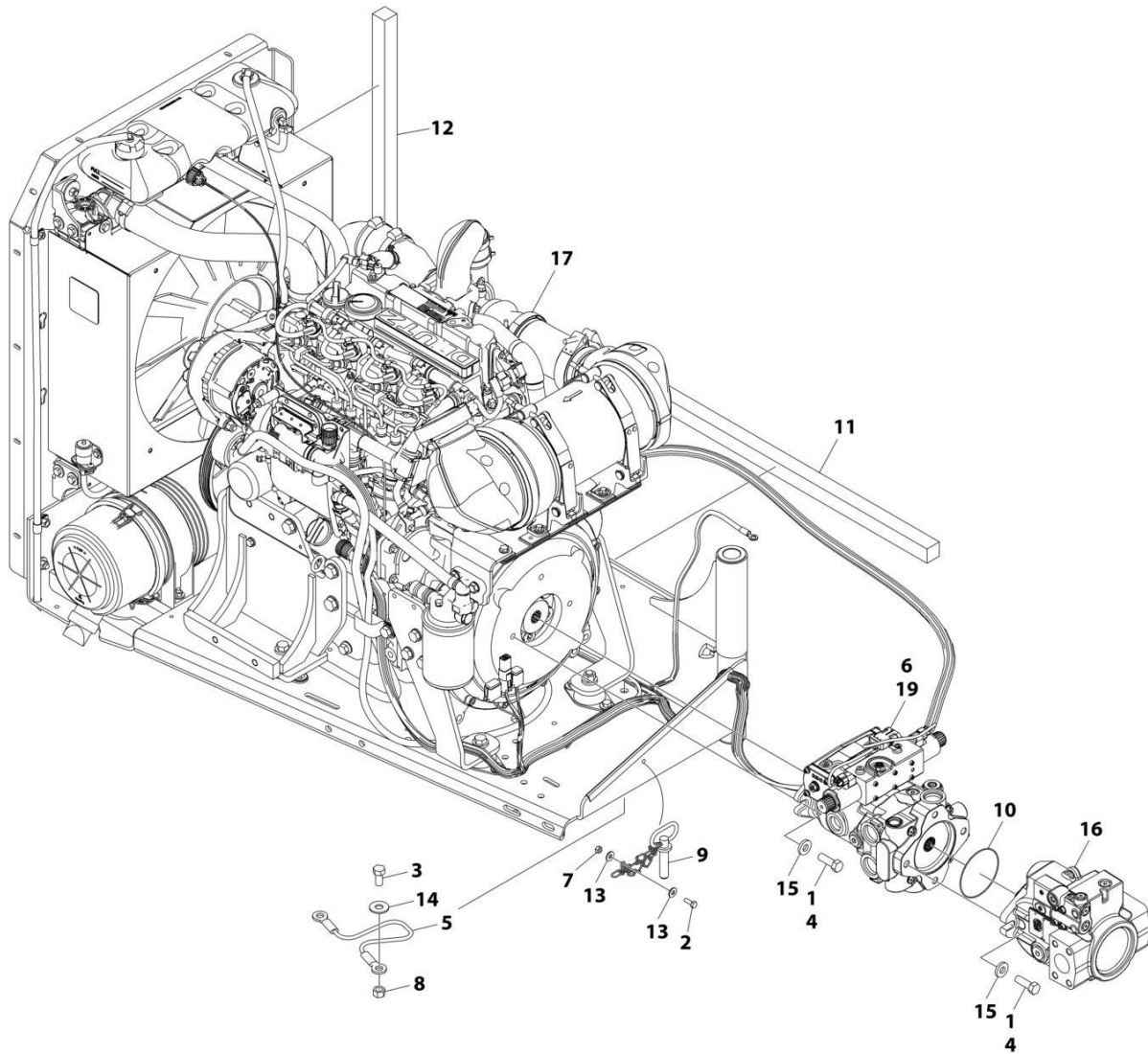
## SECTION 3 - ENGINE

**FIGURE 3-12. DEUTZ TD2.9L4 ENGINE AND PUMP SUB-ASSEMBLY (WITHOUT ARCTIC PACKAGE)**

| ITEM | PART NUMBER | QTY | DESCRIPTION  | REV |
|------|-------------|-----|--|-----|
|      | 1001185667  | Ref | DEUTZ TD2.9L4 ENGINE AND PUMP SUB-ASSEMBLY<br>(WITHOUT ARCTIC PACKAGE)             | F   |
| 1    | 0100011     | AR  | Compound, Locking  |     |
| 2    | 0641406     | 1   | Bolt 1/4 x 3/4   |     |
| 3    | 0641808     | 1   | Bolt 1/2 x 1   |     |
| 4    | 0641812     | 4   | Bolt 1/2 x 1-1/2   |     |
| 5    | 1060637     | 1   | Lanyard  |     |
| 6    | 3020037     | AR  | Lubricant  |     |
| 7    | 3311405     | 1   | Nut 1/4  |     |
| 8    | 3311801     | 1   | Nut 1/2  |     |
| 9    | 3422532     | 1   | Pin  |     |
| 10   | 3790044     | 1   | O-Ring   |     |
| 11   | 3960468     | 1   | Seal   |     |
| 12   | 3960469     | 1   | Seal   |     |
| 13   | 4751400     | 2   | Washer 1/4   |     |
| 14   | 4751800     | 1   | Washer 1/2   |     |
| 15   | 4891800     | 4   | Washer 1/2   |     |
| 16   | 1001094595  | 1   | Variable Pump Assembly (See Separate Breakdown in this<br>Section)                 |     |
| 17   | 1001225745  | 1   | Hydrostatic Pump Assembly (See Separate Breakdown in this<br>Section)              |     |
| 19   | 1001176027  | 1   | Engine Assembly Without Arctic Package (See Separate<br>Breakdown in this Section) |     |

# SECTION 3 - ENGINE

FIGURE 3-13. DEUTZ TD2.9L4 ENGINE AND PUMP SUB-ASSEMBLY (WITH ARCTIC PACKAGE)



ART\_1001185671

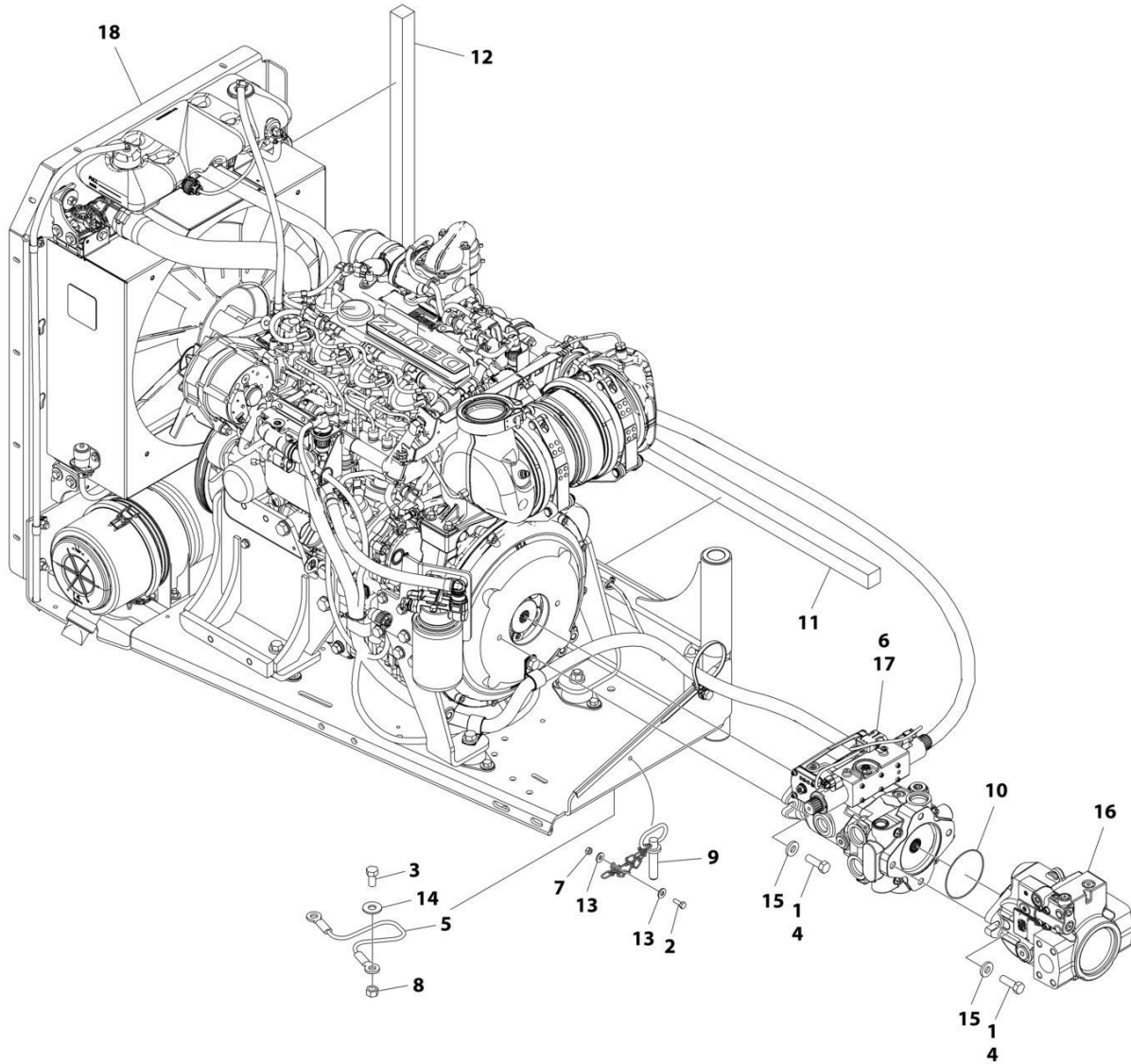
## SECTION 3 - ENGINE

**FIGURE 3-13. DEUTZ TD2.9L4 ENGINE AND PUMP SUB-ASSEMBLY (WITH ARCTIC PACKAGE)**

| ITEM | PART NUMBER | QTY | DESCRIPTION   | REV |
|------|-------------|-----|---|-----|
|      | 1001185671  | Ref | DEUTZ TD2.9L4 ENGINE AND PUMP SUB-ASSEMBLY (WITH ARCTIC PACKAGE)              | F   |
| 1    | 0100011     | AR  | Compound, Locking   |     |
| 2    | 0641406     | 1   | Bolt 1/4 x 3/4  |     |
| 3    | 0641808     | 1   | Bolt 1/2 x 1  |     |
| 4    | 0641812     | 4   | Bolt 1/2 x 1-1/2  |     |
| 5    | 1060637     | 1   | Cable, Lanyard  |     |
| 6    | 3020037     | AR  | Lubricant   |     |
| 7    | 3311405     | 1   | Nut 1/4   |     |
| 8    | 3311801     | 1   | Nut 1/2   |     |
| 9    | 3422532     | 1   | Pin, Hitch  |     |
| 10   | 3790044     | 1   | O-Ring  |     |
| 11   | 3960468     | 1   | Seal  |     |
| 12   | 3960469     | 1   | Seal  |     |
| 13   | 4751400     | 2   | Washer 1/4  |     |
| 14   | 4751800     | 1   | Washer 1/2  |     |
| 15   | 4891800     | 4   | Washer 1/2  |     |
| 16   | 1001094595  | 1   | Variable Pump Assembly with Fittings (See Separate Breakdown in this Section) |     |
| 17   | 1001176035  | 1   | Engine Assembly With Arctic Package (See Separate Breakdown in this Section)  |     |
| 19   | 1001225745  | 1   | Hydrostatic Pump Assembly (See Separate Breakdown in this Section)            |     |

# SECTION 3 - ENGINE

## FIGURE 3-14. DEUTZ TD2.9L4 (STAGE V) ENGINE AND PUMP SUB-ASSEMBLY



ART\_1001235861

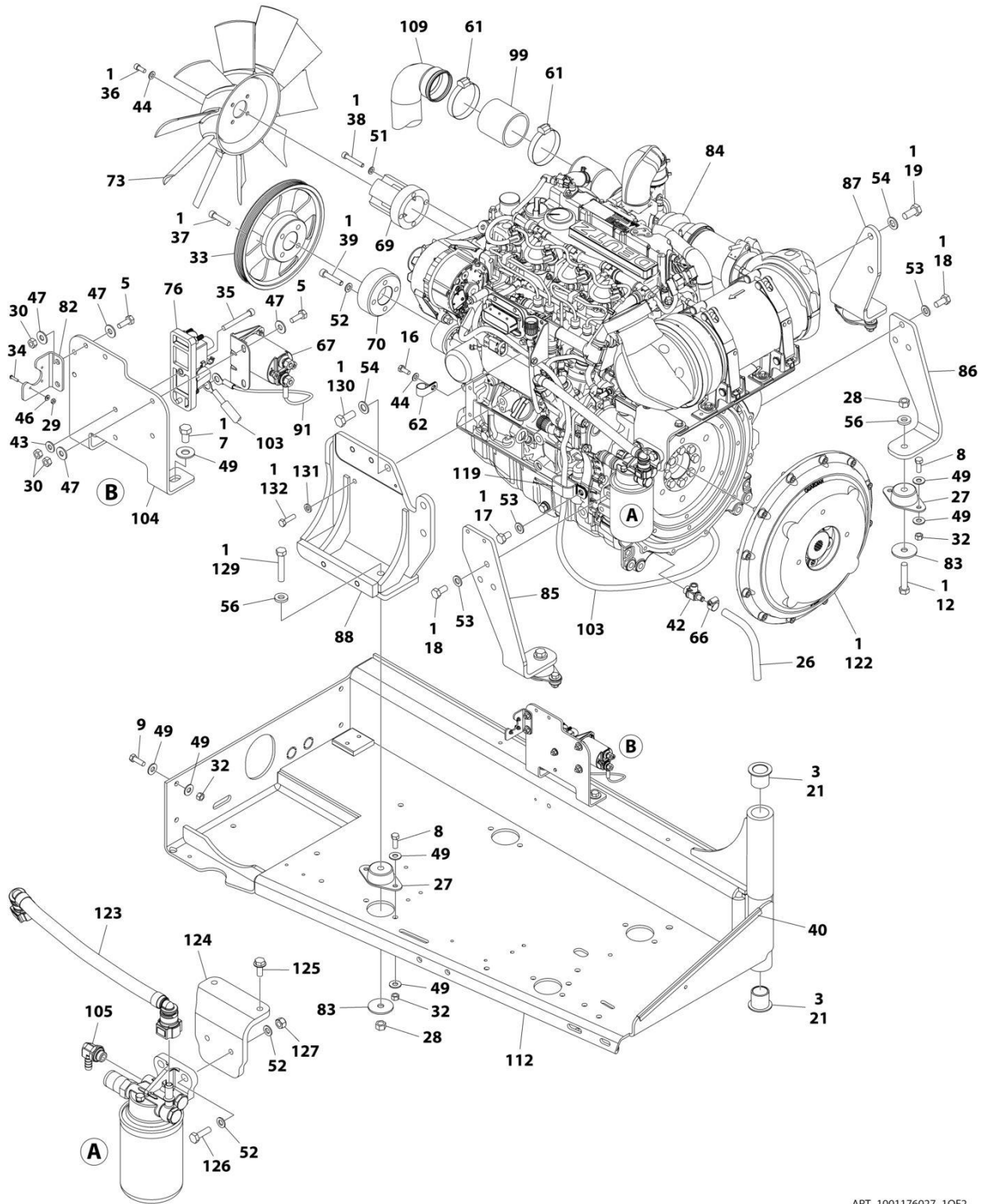
## SECTION 3 - ENGINE

**FIGURE 3-14. DEUTZ TD2.9L4 (STAGE V) ENGINE AND PUMP SUB-ASSEMBLY**

| ITEM | PART NUMBER | QTY | DESCRIPTION  | REV |
|------|-------------|-----|--|-----|
|      | 1001235861  | Ref | DEUTZ TD2.9L4 ENGINE AND PUMP SUB-ASSEMBLY (STAGE V)                                     | B   |
| 1    | 0100011     | AR  | Compound, Locking  |     |
| 2    | 0641406     | 1   | Bolt 1/4 x 3/4   |     |
| 3    | 0641808     | 1   | Bolt 1/2 x 1   |     |
| 4    | 0641812     | 4   | Bolt 1/2 x 1-1/2   |     |
| 5    | 1060637     | 1   | Lanyard  |     |
| 6    | 3020037     | AR  | Lubricant  |     |
| 7    | 3311405     | 1   | Nut 1/4  |     |
| 8    | 3311801     | 1   | Nut 1/2  |     |
| 9    | 3422532     | 1   | Pin, Hitch   |     |
| 10   | 3790044     | 1   | O-Ring   |     |
| 11   | 3960468     | 1   | Seal   |     |
| 12   | 3960469     | 1   | Seal   |     |
| 13   | 4751400     | 2   | Washer 1/4   |     |
| 14   | 4751800     | 1   | Washer 1/2   |     |
| 15   | 4891800     | 4   | Washer 1/2   |     |
| 16   | 1001094595  | 1   | Variable Pump Assembly with Fittings (See Separate Breakdown in this Section)            |     |
| 17   | 1001225745  | 1   | Hydrostatic Pump Assembly (See Separate Breakdown in this Section)                       |     |
| 18   | 1001235862  | 1   | Engine Assembly - DEUTZ 2.9L4 (Stage V) Engines (See Separate Breakdown in this Section) |     |

# SECTION 3 - ENGINE

## FIGURE 3-15. DEUTZ TD2.9L4 ENGINE ASSEMBLY (WITHOUT ARCTIC PACKAGE)



ART\_1001176027\_10F2





## SECTION 3 - ENGINE

FIGURE 3-15. DEUTZ TD2.9L4 ENGINE ASSEMBLY (WITHOUT ARCTIC PACKAGE)

| ITEM | PART NUMBER | QTY              | DESCRIPTION                            | REV |
|------|-------------|------------------|--|-----|
|      | 1001176027  | Ref              | ENGINE ASSEMBLY WITHOUT ARCTIC PACKAGE | O   |
| 1    | 0100011     | AR               | Locking, Compound                      |     |
| 2    | 0100020     | AR               | Sealant                                |     |
| 3    | 0100062     | 2                | Compound, Locking                      |     |
| 4    | 0630407     | 5                | Screw 1/4 x 5/8                        |     |
| 5    | 0641406     | 2                | Bolt 1/4 x 3/4                         |     |
| 6    | 0641518     | 2                | Bolt 5/16 x 2-1/4                      |     |
| 7    | 0641605     | 8                | Bolt 3/8 x 5/8                         |     |
| 8    | 0641608     | 6                | Bolt 3/8 x 1                           |     |
| 9    | 0641609     | 4                | Bolt 3/8 x 1-1/8                       |     |
| 10   | 0641612     | 2                | Bolt 3/8 x 1-1/2                       |     |
| 11   | 0641708     | 3                | Bolt 7/16 x 1                          |     |
| 12   | 0681820     | 2                | Bolt 1/2 x 2-1/2                       |     |
| 13   | 0741605     | 2                | Screw 3/8 x 5/8                        |     |
| 14   | 0760605     | AR               | Bolt M6 x 10                           |     |
| 16   | 0760810     | 10               | Bolt M8 x 20                           |     |
| 17   | 0761210     | 1                | Bolt M12 x 20                          |     |
| 18   | 0771212     | 6                | Bolt M12 x 25                          |     |
| 19   | 0771414     | 2                | Bolt M14 x 30                          |     |
| 20   | 0940070     | 1                | Bumper                                 |     |
| 21   | 0961986     | 2                | Bushing, Flanged                       |     |
| 22   | 1703162     | 1                | Decal - Caution Fan Blade              |     |
| 23   | 2220315     | 1                | Fitting, Straight Barbed               |     |
| 25   | 2720015     | 40 in/1m         | Hose                                   |     |
| 26   | 2720340     | 12 in<br>/30.5cm | Hose                                   |     |
| 27   | 3200401     | 4                | Mount, Motor                           |     |
| 28   | 3271801     | 4                | Nut 1/2-13                             |     |
| 29   | 3310401     | 3                | Nut #4                                 |     |
| 30   | 3311405     | 8                | Nut 1/4                                |     |
| 31   | 3311505     | 2                | Locknut 5/16                           |     |
| 32   | 3311605     | 16               | Nut 3/8                                |     |
| 33   | 3580320     | 1                | Pulley                                 |     |
| 34   | 3910408     | 3                | Screw #4 x 1/2                         |     |
| 35   | 3931432     | 1                | Capscrew 1/4 x 2                       |     |
| 36   | 3931512     | 4                | Capscrew 5/16 x 3/4                    |     |
| 37   | 3931628     | 4                | Capscrew 3/8 x 1-3/4                   |     |
| 38   | 4031914     | 4                | Capscrew M8 x 50                       |     |
| 39   | 4032014     | 4                | Capscrew M10 x 50                      |     |
| 40   | 4060805     | 15 in<br>/38cm   | Flex-Trim                              |     |
| 41   | 4240099     | AR               | Tie-Strap (Not Shown)                  |     |
| 42   | 4640751     | 1                | Valve, Oil Drain                       |     |
| 43   | 4711400     | 3                | Washer 1/4                             |     |
| 44   | 4711500     | 5                | Washer 5/16                            |     |
| 45   | 4711700     | 2                | Washer 7/16                            |     |
| 46   | 4750400     | 3                | Washer #4                              |     |
| 47   | 4751400     | 10               | Washer 1/4                             |     |
| 48   | 4751500     | 4                | Washer 5/16                            |     |
| 49   | 4751600     | 32               | Washer 3/8                             |     |

## SECTION 3 - ENGINE

| ITEM | PART NUMBER | QTY        | DESCRIPTION  | REV |
|------|-------------|------------|--|-----|
| 50   | 4811702     | 2          | Washer M6  |     |
| 51   | 4811900     | 4          | Washer M8  |     |
| 52   | 4812000     | 8          | Washer M10   |     |
| 53   | 4812100     | 7          | Washer M12   |     |
| 54   | 4812200     | 5          | Washer M14   |     |
| 55   | 4891500     | 1          | Washer 5/16  |     |
| 56   | 4891800     | 4          | Washer 1/2   |     |
| 58   | 8405007     | 2          | Clamp  |     |
| 59   | 8405009     | 4          | Clamp  |     |
| 60   | 8405104     | 4          | Clamp  |     |
| 61   | 8405204     | 2          | Clamp  |     |
| 62   | 8406102     | 1          | Clip   |     |
| 63   | 8406109     | 1          | Clip   |     |
| 64   | 8406110     | 1          | Clip   |     |
| 65   | 8410011     | 2          | Clamp  |     |
| 66   | 8410013     | 1          | Clamp  |     |
| 67   | 1001117308  | 1          | Relay  |     |
| 69   | 1001135138  | 1          | Adapter  |     |
| 70   | 1001135679  | 1          | Adapter  |     |
| 72   | 1001136834  | 1          | Cap, Tank  |     |
| 73   | 1001137276  | 1          | Fan  |     |
| 74   | 1001138173  | 1          | Support  |     |
| 75   | 1001138175  | 1          | Bracket  |     |
| 76   | 1001138228  | 1          | Relay, Power Module  |     |
| 76   | 70023593    | 1          | Fuse 30Amp (Battery Output)  |     |
| 76   | 70023592    | 1          | Fuse 20Amp (Switch Output)   |     |
| 77   | 1001138248  | 62 in/1.6m | Tube   |     |
| 78   | 1001138489  | 1          | Air Cleaner Assembly   |     |
| 78   | 91403102    | 1          | Element, Filter  |     |
| 79   | 1001138557  | 1          | Clamp  |     |
| 82   | 1001139240  | 1          | Bracket  |     |
| 83   | 1001139409  | 4          | Washer, Special  |     |
| 84   | 1001249942  | 1          | Engine, Deutz TD2.9L4 T4F (See Separate Breakdown in this Section) |     |
| 85   | 1001140448  | 1          | Mount, Rear Engine   |     |
| 86   | 1001140450  | 1          | Mount, Rear Engine   |     |
| 87   | 1001140454  | 1          | Mount, Front Engine  |     |
| 88   | 1001202368  | 1          | Mount, Generator/Engine  |     |
| 89   | 1001230635  | 1          | Tank   |     |
| 89   | 0100020     | AR         | Sealant, Pipe  |     |
| 89   | 1001134488  | 1          | Fitting, 90 NPT/ Barbed  |     |
| 89   | 1001138827  | 1          | Sensor, Coolant Level  |     |
| 89   | 1001140564  | 1          | Fitting, 90 NPT/ Barbed  |     |
| 89   | 1001229542  | 1          | Tank, Surge  |     |
| 91   | 1001141304  | 1          | Harness, Glow Plug (Not Shown)                                     |     |
| 92   | 1001141370  | 1          | Hose   |     |
| 93   | 1001141419  | 1          | Shim   |     |
| 95   | 1001141585  | 1          | Hose, Inlet  |     |
| 96   | 1001141586  | 1          | Pipe, Intake   |     |
| 97   | 1001141995  | 1          | Fitting, Straight NPT/Barbed                                       |     |
| 99   | 1001142623  | 1          | Hose, Inlet  |     |
| 100  | 1001143390  | 1          | Indicator, Service   |     |

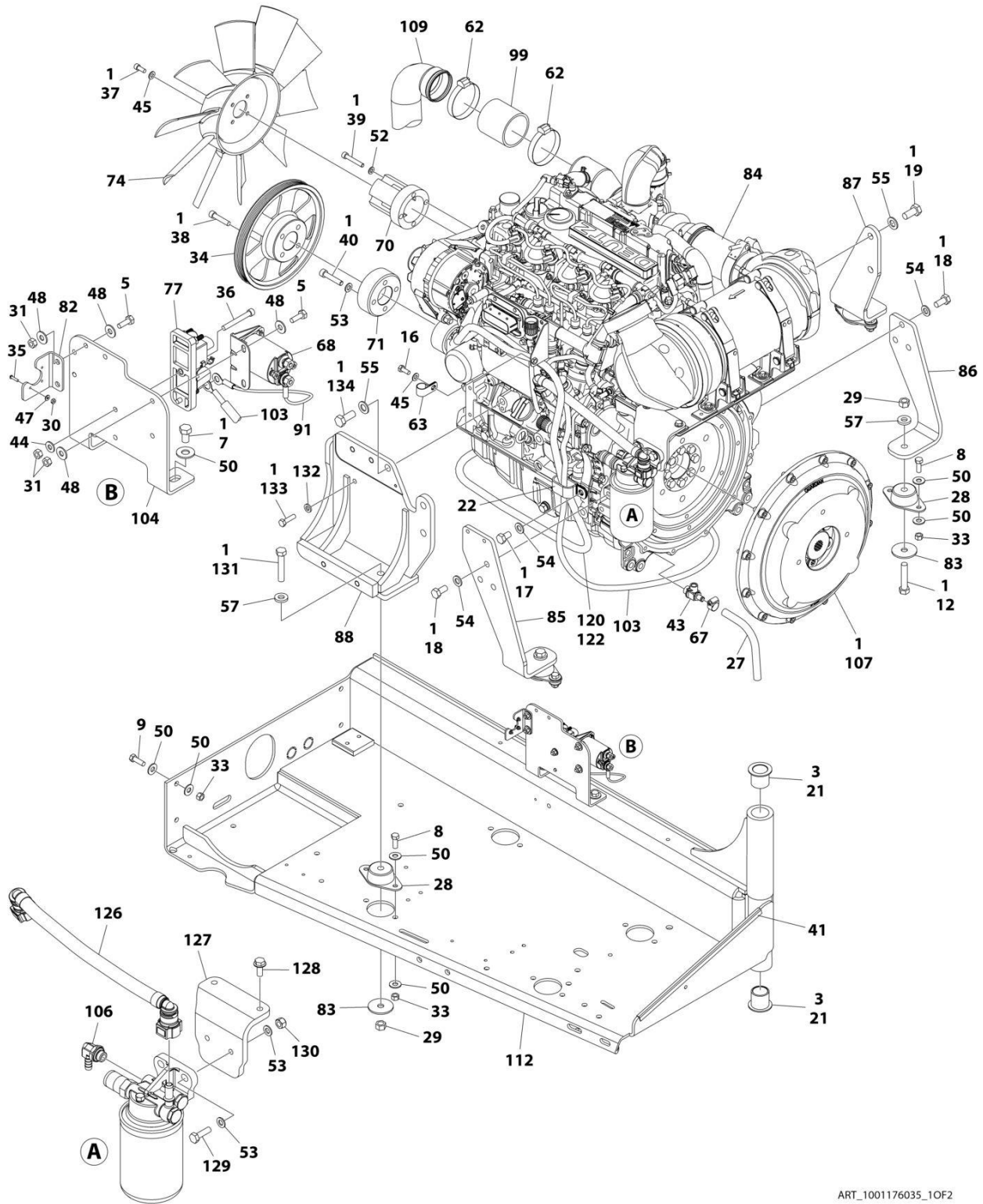
## SECTION 3 - ENGINE

| ITEM | PART NUMBER | QTY | DESCRIPTION  | REV |
|------|-------------|-----|--|-----|
| 101  | 1001143726  | 1   | Harness, Deutz Engine (Not Shown - See Separate Breakdown in ELECTRICAL SECTION) |     |
| 102  | 1001143797  | 1   | Fitting, Straight Metric/Barbed  |     |
| 103  | 1001143907  | 1   | Cable, Alternator Power (Not Shown)  |     |
| 104  | 1001145154  | 1   | Plate, Relay Mounting  |     |
| 105  | 1001152489  | 1   | Fitting, 90 Metric/ Barbed   |     |
| 108  | 1001167042  | 1   | Radiator   |     |
| 109  | 1001165842  | 1   | Pipe   |     |
| 110  | 1001169138  | 4   | Washer   |     |
| 111  | 1001204325  | 2   | Bracket, Radiator  |     |
| 112  | 1001190610  | 1   | Tray   |     |
| 113  | 1001176419  | 1   | Bracket, Tank  |     |
| 114  | 1001177844  | 1   | Hose, Radiator - Upper   |     |
| 115  | 1001177845  | 1   | Hose, Radiator - Lower   |     |
| 116  | 1001186985  | 1   | Plate, Mounting (Modine Radiator)  |     |
| 117  | 1001178223  | 2   | Bracket, Radiator  |     |
| 118  | 1001180620  | 1   | Adhesive   |     |
| 119  | 1001181899  | 1   | P-Clamp  |     |
| 120  | 4811902     | 8   | Washer M8  |     |
| 121  | 1001169054  | 4   | Pad, Isolator  |     |
| 122  | 1001153282  | 1   | Pump Coupling Kit (See Separate Breakdown in this section)                       |     |
| 123  | 1001177359  | 1   | Hose   |     |
| 124  | 1001178876  | 1   | Mount, Fuel Filter   |     |
| 125  | 5250810     | 2   | Bolt M8 x 20   |     |
| 126  | 0761015     | 2   | Bolt M10 x 35  |     |
| 127  | 3291005     | 2   | Nut M10  |     |
| 129  | 0681822     | 1   | Bolt 1/2 x 2-3/4 Grade 8   |     |
| 130  | 0771415     | 3   | Bolt M14 x 35 Grade 10.9   |     |
| 131  | 5240800     | 1   | Washer M8  |     |
| 132  | 0700814     | 1   | Bolt M8 x 30   |     |



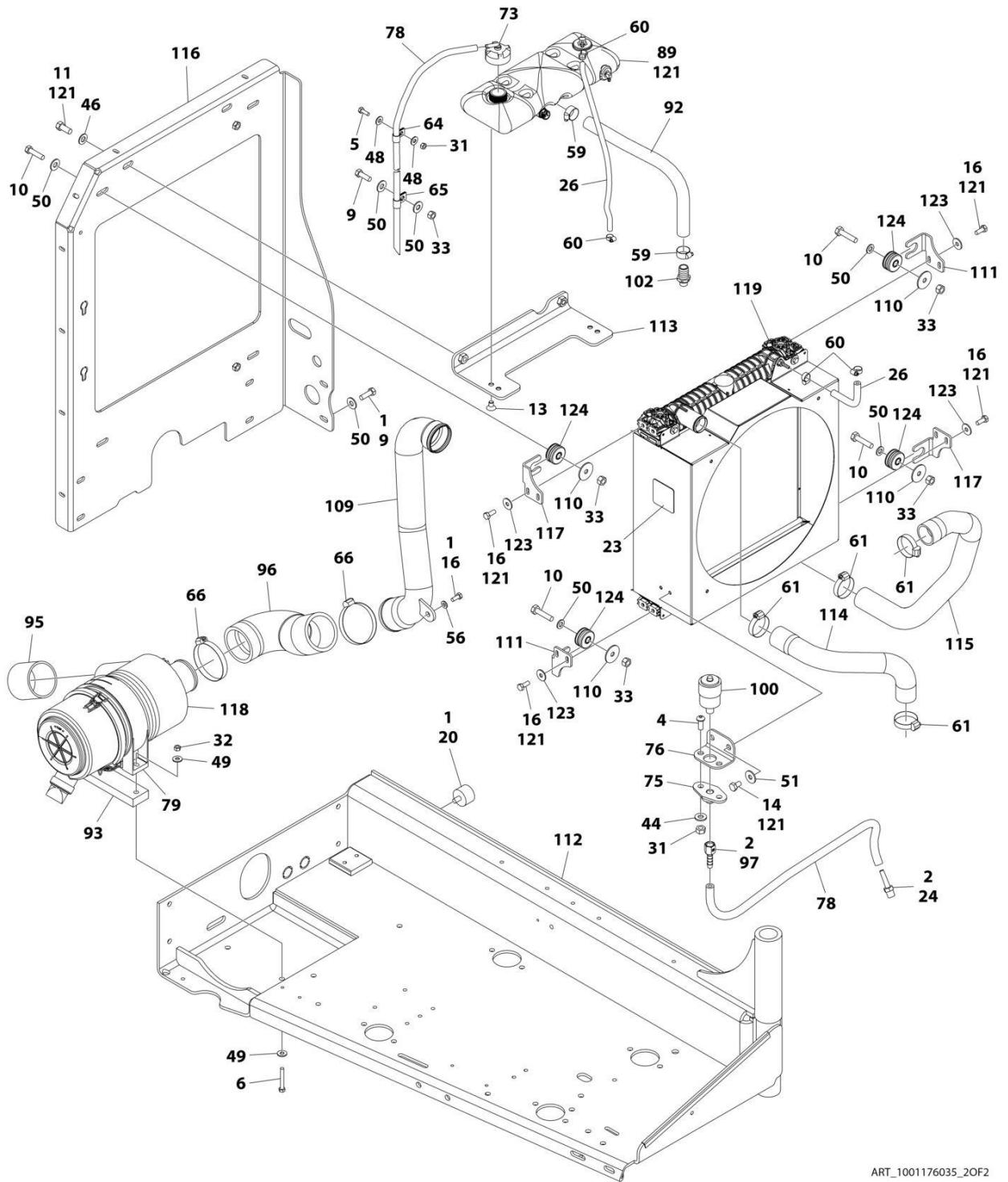
# SECTION 3 - ENGINE

## FIGURE 3-16. DEUTZ TD2.9L4 ENGINE ASSEMBLY (WITH ARCTIC PACKAGE)



ART\_1001176035\_10F2

# SECTION 3 - ENGINE



ART\_1001176035\_20F2

## SECTION 3 - ENGINE

FIGURE 3-16. DEUTZ TD2.9L4 ENGINE ASSEMBLY (WITH ARCTIC PACKAGE)

| ITEM | PART NUMBER | QTY              | DESCRIPTION   | REV |
|------|-------------|------------------|---|-----|
|      | 1001176035  | Ref              | DEUTZ TD2.9L4 ENGINE ASSEMBLY (WITH ARCTIC PACKAGE) | O   |
| 1    | 0100011     | AR               | Locking, Compound                                   |     |
| 2    | 0100020     | AR               | Sealant   |     |
| 3    | 0100062     | 2                | Compound, Locking                                   |     |
| 4    | 0630407     | 5                | Screw 1/4 x 5/8                                     |     |
| 5    | 0641406     | 2                | Bolt 1/4 x 3/4                                      |     |
| 6    | 0641518     | 2                | Bolt 5/16 x 2-1/4                                   |     |
| 7    | 0641605     | 8                | Bolt 3/8 x 5/8                                      |     |
| 8    | 0641608     | 6                | Bolt 3/8 x 1  |     |
| 9    | 0641609     | 4                | Bolt 3/8 x 1-1/8                                    |     |
| 10   | 0641612     | 2                | Bolt 3/8 x 1-1/2                                    |     |
| 11   | 0641708     | 3                | Bolt 7/16 x 1                                       |     |
| 12   | 0681820     | 2                | Bolt 1/2 x 2-1/2 Grade 8                            |     |
| 13   | 0741605     | 2                | Screw 3/8 x 5/8                                     |     |
| 14   | 0760605     | 2                | Bolt M6 x 10  |     |
| 16   | 0760810     | 10               | Bolt M8 x 20  |     |
| 17   | 0761210     | 1                | Bolt M12 x 20                                       |     |
| 18   | 0771212     | 6                | Bolt M12 x 25 Grade 10.9                            |     |
| 19   | 0771414     | 2                | Bolt M14 x 30 Grade 10.9                            |     |
| 20   | 0940070     | 1                | Bumper  |     |
| 21   | 0961986     | 2                | Bushing, Flanged                                    |     |
| 22   | 1001181899  | 1                | P-Clamp   |     |
| 23   | 1703162     | 1                | Decal - Caution Fan Blade                           |     |
| 24   | 2220315     | 1                | Fitting, Straight Barbed                            |     |
| 26   | 2720015     | 40 in/1m         | Hose  |     |
| 27   | 2720340     | 12 in<br>/30.5cm | Hose  |     |
| 28   | 3200401     | 4                | Mount, Motor  |     |
| 29   | 3271801     | 4                | Nut 1/2   |     |
| 30   | 3310401     | 3                | Nut #4  |     |
| 31   | 3311405     | 8                | Nut 1/4   |     |
| 32   | 3311505     | 2                | Nut 5/16  |     |
| 33   | 3311605     | 16               | Nut 3/8   |     |
| 34   | 3580320     | 1                | Pulley  |     |
| 35   | 3910408     | 3                | Screw #4 x 1/2                                      |     |
| 36   | 3931432     | 1                | Capscrew 1/4 x 2                                    |     |
| 37   | 3931512     | 4                | Capscrew 5/16 x 3/4                                 |     |
| 38   | 3931628     | 4                | Capscrew 3/8 x 1-3/4                                |     |
| 39   | 4031914     | 4                | Capscrew M8 x 50                                    |     |
| 40   | 4032014     | 4                | Capscrew M10 x 50                                   |     |
| 41   | 4060805     | 15 in<br>/38cm   | Flex-Trim   |     |
| 42   | 4240099     | AR               | Tie-Strap (Not Shown)                               |     |
| 43   | 4640751     | 1                | Valve, Oil Drain                                    |     |
| 44   | 4711400     | 3                | Washer 1/4  |     |
| 45   | 4711500     | 5                | Washer 5/16   |     |
| 46   | 4711700     | 2                | Washer 7/16   |     |
| 47   | 4750400     | 3                | Washer #4   |     |
| 48   | 4751400     | 10               | Washer 1/4  |     |
| 49   | 4751500     | 4                | Washer 5/16   |     |



## SECTION 3 - ENGINE

| ITEM | PART NUMBER | QTY        | DESCRIPTION  | REV |
|------|-------------|------------|--|-----|
| 50   | 4751600     | 32         | Washer 3/8   |     |
| 51   | 4811702     | 2          | Washer M6  |     |
| 52   | 4811900     | 4          | Washer M8  |     |
| 53   | 4812000     | 8          | Washer M10   |     |
| 54   | 4812100     | 7          | Washer M12   |     |
| 55   | 4812200     | 5          | Washer M14   |     |
| 56   | 4891500     | 1          | Washer 5/16  |     |
| 57   | 4891800     | 4          | Washer 1/2   |     |
| 59   | 8405007     | 2          | Clamp  |     |
| 60   | 8405009     | 4          | Clamp  |     |
| 61   | 8405104     | 4          | Clamp  |     |
| 62   | 8405204     | 2          | Clamp  |     |
| 63   | 8406102     | 1          | Clip   |     |
| 64   | 8406109     | 1          | Clip   |     |
| 65   | 8406110     | 1          | Clip   |     |
| 66   | 8410011     | 2          | Clamp  |     |
| 67   | 8410013     | 1          | Clamp  |     |
| 68   | 1001117308  | 1          | Relay  |     |
| 70   | 1001135138  | 1          | Adapter  |     |
| 71   | 1001135679  | 1          | Adapter  |     |
| 73   | 1001136834  | 1          | Cap, Tank  |     |
| 74   | 1001137276  | 1          | Fan  |     |
| 75   | 1001138173  | 1          | Support  |     |
| 76   | 1001138175  | 1          | Bracket  |     |
| 77   | 1001138228  | 1          | Relay, Power Module  |     |
| 77   | 70023592    | 1          | Fuse 20Amp (Switch Output)   |     |
| 77   | 70023593    | 1          | Fuse 30Amp (Battery Output)  |     |
| 78   | 1001138248  | 62 in/1.6m | Tube   |     |
| 79   | 1001138557  | 1          | Clamp  |     |
| 82   | 1001139240  | 1          | Bracket  |     |
| 83   | 1001139409  | 4          | Washer, Special  |     |
| 84   | 1001249942  | 1          | Engine, Deutz TD2.9L4 T4F (See Separate Breakdown in this Section) |     |
| 85   | 1001140448  | 1          | Mount, Rear Engine   |     |
| 86   | 1001140450  | 1          | Mount, Rear Engine   |     |
| 87   | 1001140454  | 1          | Mount, Front Engine  |     |
| 88   | 1001202368  | 1          | Mount, Generator/Engine  |     |
| 89   | 1001230635  | 1          | Tank   |     |
| 89   | 0100020     | 1          | Sealant  |     |
| 89   | 1001134488  | 1          | Fitting, 90 NPT/ Barbed  |     |
| 89   | 1001138827  | 1          | Sensor, Coolant Level  |     |
| 89   | 1001140564  | 1          | Fitting, 90 NPT/ Barbed  |     |
| 89   | 1001229542  | 1          | Tank, Surge  |     |
| 91   | 1001141304  | 1          | Harness, Glow Plug (Not Shown)                                     |     |
| 92   | 1001141370  | 1          | Hose   |     |
| 93   | 1001141419  | 1          | Shim   |     |
| 95   | 1001141585  | 1          | Hose, Inlet  |     |
| 96   | 1001141586  | 1          | Pipe, Intake   |     |
| 97   | 1001141995  | 1          | Fitting, Straight NPT/Barbed                                       |     |
| 99   | 1001142623  | 1          | Hose, Inlet  |     |
| 100  | 1001143390  | 1          | Indicator, Service   |     |
| 101  | 1001143726  | 1          | Harness, Deutz Engine (Not Shown - See Separate Breakdown in       |     |

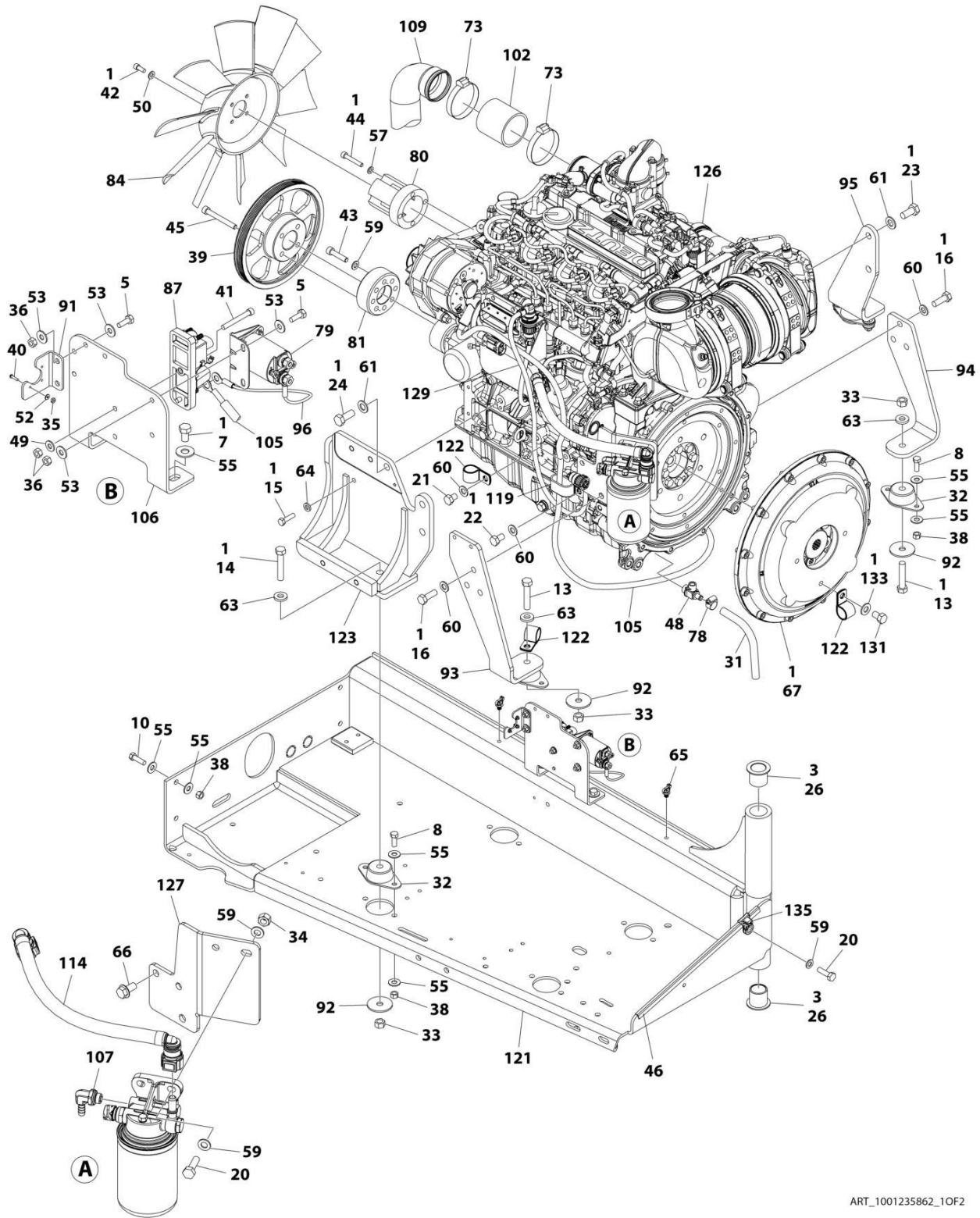
## SECTION 3 - ENGINE

| ITEM | PART NUMBER | QTY | DESCRIPTION  | REV |
|------|-------------|-----|--|-----|
|      |             |     | ELECTRICAL SECTION)  |     |
| 102  | 1001143797  | 1   | Fitting, Straight Metric/Barbed                            |     |
| 103  | 1001143907  | 1   | Cable, Alternator Power (Not Shown)                        |     |
| 104  | 1001145154  | 1   | Plate, Relay Mounting                                      |     |
| 106  | 1001152489  | 1   | Fitting, 90 Metric/ Barbed                                 |     |
| 107  | 1001153282  | 1   | Pump Coupling Kit (See Separate Breakdown in this Section) |     |
| 109  | 1001165842  | 1   | Pipe   |     |
| 110  | 1001169138  | 4   | Washer   |     |
| 111  | 1001204325  | 2   | Bracket, Radiator  |     |
| 112  | 1001190610  | 1   | Tray   |     |
| 113  | 1001176419  | 1   | Bracket, Tank  |     |
| 114  | 1001177844  | 1   | Hose, Radiator - Upper                                     |     |
| 115  | 1001177845  | 1   | Hose, Radiator - Lower                                     |     |
| 116  | 1001186985  | 1   | Plate, Mounting  |     |
| 117  | 1001178223  | 2   | Bracket, Radiator  |     |
| 118  | 1001138489  | 1   | Air Cleaner Assembly                                       |     |
| 118  | 91403102    | 1   | Element, Filter  |     |
| 119  | 1001167042  | 1   | Radiator   |     |
| 120  | 1001140312  | 1   | Heater, Engine Block                                       |     |
| 121  | 1001180620  | 1   | Adhesive   |     |
| 122  | 1001181895  | 1   | Adhesive   |     |
| 123  | 4811902     | 8   | Washer M8  |     |
| 124  | 1001169054  | 4   | Pad, Isolator  |     |
| 126  | 1001177359  | 1   | Hose   |     |
| 127  | 1001178876  | 1   | Mount, Fuel Filter   |     |
| 128  | 5250810     | 2   | Bolt M8 x 20   |     |
| 129  | 0761015     | 2   | Bolt M10 x 35  |     |
| 130  | 3291005     | 2   | Nut M10  |     |
| 131  | 0681822     | 1   | Bolt 1/2 x 2-3/4 Grade 8                                   |     |
| 132  | 5240800     | 1   | Washer M8  |     |
| 133  | 0700814     | 1   | Bolt M8 x 30   |     |
| 134  | 0771415     | 3   | Bolt M14 x 35 Grade 10.9                                   |     |



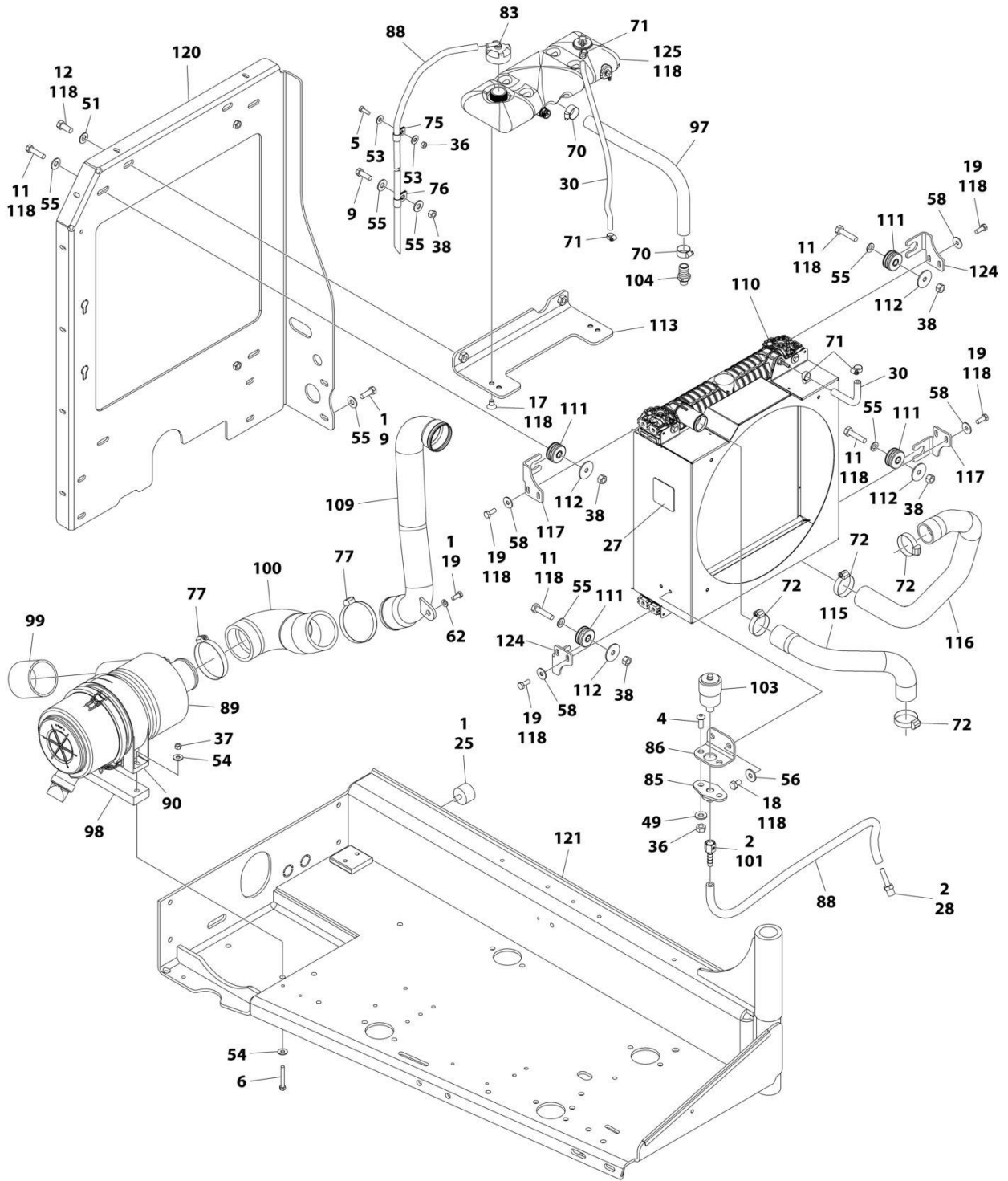
# SECTION 3 - ENGINE

## FIGURE 3-17. DEUTZ TD2.9L4 ENGINE ASSEMBLY (STAGE V)



ART\_1001235862\_10F2

# SECTION 3 - ENGINE



ART\_1001235862\_2OF2

## SECTION 3 - ENGINE

FIGURE 3-17. DEUTZ TD2.9L4 ENGINE ASSEMBLY (STAGE V)

| ITEM | PART NUMBER | QTY              | DESCRIPTION                             | REV |
|------|-------------|------------------|---|-----|
|      | 1001235862  | Ref              | DEUTZ TD2.9L4 ENGINE ASSEMBLY (STAGE V) | H   |
| 1    | 0100011     | AR               | Locking, Compound                       |     |
| 2    | 0100020     | AR               | Sealant                                 |     |
| 3    | 0100062     | AR               | Compound, Locking                       |     |
| 4    | 0630407     | 2                | Screw 1/4 x 5/8                         |     |
| 5    | 0641406     | 5                | Bolt 1/4 x 3/4                          |     |
| 6    | 0641518     | 2                | Bolt 5/16 x 2-1/4                       |     |
| 7    | 0641605     | 2                | Bolt 3/8 x 5/8                          |     |
| 8    | 0641608     | 8                | Bolt 3/8 x 1                            |     |
| 9    | 0641609     | 2                | Bolt 3/8 x 1-1/8                        |     |
| 10   | 0641610     | 4                | Bolt 3/8 x 1-1/4                        |     |
| 11   | 0641612     | 4                | Bolt 3/8 x 1-1/2                        |     |
| 12   | 0641708     | 2                | Bolt 7/16 x 1                           |     |
| 13   | 0681820     | 3                | Bolt 1/2 x 2-1/2 Grade 8                |     |
| 14   | 0681822     | 1                | Bolt 1/2 x 2-3/4 Grade 8                |     |
| 15   | 0700814     | 1                | Bolt M8 x 30                            |     |
| 16   | 0711215     | 6                | Bolt M12 x 35                           |     |
| 17   | 0741605     | 2                | Screw 3/8 x 5/8                         |     |
| 18   | 0760605     | 2                | Bolt M6 x 10                            |     |
| 19   | 0760810     | 9                | Bolt M8 x 20                            |     |
| 20   | 0761015     | 3                | Bolt M10 x 35                           |     |
| 21   | 0761208     | 1                | Bolt M12 x 16                           |     |
| 22   | 0761210     | 1                | Bolt M12 x 20                           |     |
| 23   | 0771414     | 2                | Bolt M14 x 30 Grade 10.9                |     |
| 24   | 0771415     | 3                | Bolt M14 x 35 Grade 10.9                |     |
| 25   | 0940070     | 1                | Bumper                                  |     |
| 26   | 0961986     | 2                | Bushing, Flanged                        |     |
| 27   | 1703162     | 1                | Decal - Caution Fan Blade               |     |
| 28   | 2220315     | 1                | Fitting, Straight Barbed                |     |
| 30   | 2720015     | 40 in/1m         | Hose                                    |     |
| 31   | 2720340     | 12 in<br>/30.5cm | Hose                                    |     |
| 32   | 3200401     | 4                | Mount, Motor                            |     |
| 33   | 3271801     | 4                | Nut 1/2 Grade 8                         |     |
| 34   | 3291005     | 3                | Nut M10                                 |     |
| 35   | 3310401     | 3                | Nut #4                                  |     |
| 36   | 3311405     | 8                | Nut 1/4                                 |     |
| 37   | 3311505     | 2                | Nut 5/16                                |     |
| 38   | 3311605     | 16               | Nut 3/8                                 |     |
| 39   | 1001260432  | 1                | Pulley                                  |     |
| 40   | 3910408     | 3                | Screw #4 x 1/2                          |     |
| 41   | 3931432     | 1                | Capscrew 1/4 x 2                        |     |
| 42   | 3931512     | 4                | Capscrew 5/16 x 3/4                     |     |
| 43   | 1001261045  | 4                | Capscrew M10 x 45                       |     |
| 44   | 4031914     | 4                | Capscrew M8 x 50                        |     |
| 45   | 1001261085  | 4                | Capscrew M10 x 85                       |     |
| 46   | 4060805     | 15 in<br>/38cm   | Flex-Trim                               |     |
| 47   | 4240099     | AR               | Tie-Strap (Not Shown)                   |     |
| 48   | 4640751     | 1                | Valve, Oil Drain                        |     |

## SECTION 3 - ENGINE

| ITEM | PART NUMBER | QTY        | DESCRIPTION  | REV |
|------|-------------|------------|--|-----|
| 49   | 4711400     | 3          | Washer 1/4   |     |
| 50   | 4711500     | 4          | Washer 5/16  |     |
| 51   | 4711700     | 2          | Washer 7/16  |     |
| 52   | 4750400     | 3          | Washer #4  |     |
| 53   | 4751400     | 10         | Washer 1/4   |     |
| 54   | 4751500     | 4          | Washer 5/16  |     |
| 55   | 4751600     | 32         | Washer 3/8   |     |
| 56   | 4811702     | 2          | Washer M6  |     |
| 57   | 4811900     | 4          | Washer M8  |     |
| 58   | 4811902     | 8          | Washer M8  |     |
| 59   | 4812000     | 10         | Washer M10   |     |
| 60   | 4812100     | 8          | Washer M12   |     |
| 61   | 4812200     | 5          | Washer M14   |     |
| 62   | 4891500     | 1          | Washer 5/16  |     |
| 63   | 4891800     | 4          | Washer 1/2   |     |
| 64   | 5240800     | 1          | Washer M8  |     |
| 65   | 1001146588  | 3          | Strap  |     |
| 66   | 5251010     | 2          | Bolt M10 x 20  |     |
| 67   | 1001153282  | 1          | Pump Coupling Kit (See Separate Breakdown in this Section) |     |
| 70   | 8405007     | 2          | Clamp  |     |
| 71   | 8405009     | 4          | Clamp  |     |
| 72   | 8405104     | 4          | Clamp  |     |
| 73   | 8405204     | 2          | Clamp  |     |
| 75   | 8406109     | 1          | Clip   |     |
| 76   | 8406110     | 1          | Clip   |     |
| 77   | 8410011     | 2          | Clamp  |     |
| 78   | 8410013     | 1          | Clamp  |     |
| 79   | 1001117308  | 1          | Relay  |     |
| 80   | 1001135138  | 1          | Adapter  |     |
| 81   | 1001258800  | 1          | Adapter  |     |
| 83   | 1001136834  | 1          | Cap, Tank  |     |
| 84   | 1001137276  | 1          | Fan  |     |
| 85   | 1001138173  | 1          | Support  |     |
| 86   | 1001138175  | 1          | Bracket  |     |
| 87   | 1001138228  | 1          | Relay, Power Module  |     |
| 87   | 70023593    | 1          | Fuse 30Amp (Battery Output)                                |     |
| 87   | 70023592    | 1          | Fuse 20Amp (Switch Output)                                 |     |
| 88   | 1001138248  | 62 in/1.6m | Tube   |     |
| 89   | 1001138489  | 1          | Air Cleaner Assembly                                       |     |
| 89   | 91403102    | 1          | Element, Filter  |     |
| 90   | 1001138557  | 1          | Clamp  |     |
| 91   | 1001139240  | 1          | Bracket  |     |
| 92   | 1001139409  | 4          | Washer, Special  |     |
| 93   | 1001140448  | 1          | Mount, Rear Engine   |     |
| 94   | 1001140450  | 1          | Mount, Rear Engine   |     |
| 95   | 1001140454  | 1          | Mount, Front Engine  |     |
| 96   | 1001141304  | 1          | Harness, Glow Plug (Not Shown)                             |     |
| 97   | 1001141370  | 1          | Hose   |     |
| 98   | 1001141419  | 1          | Shim   |     |
| 99   | 1001141585  | 1          | Hose, Inlet  |     |
| 100  | 1001141586  | 1          | Pipe, Intake   |     |

## SECTION 3 - ENGINE

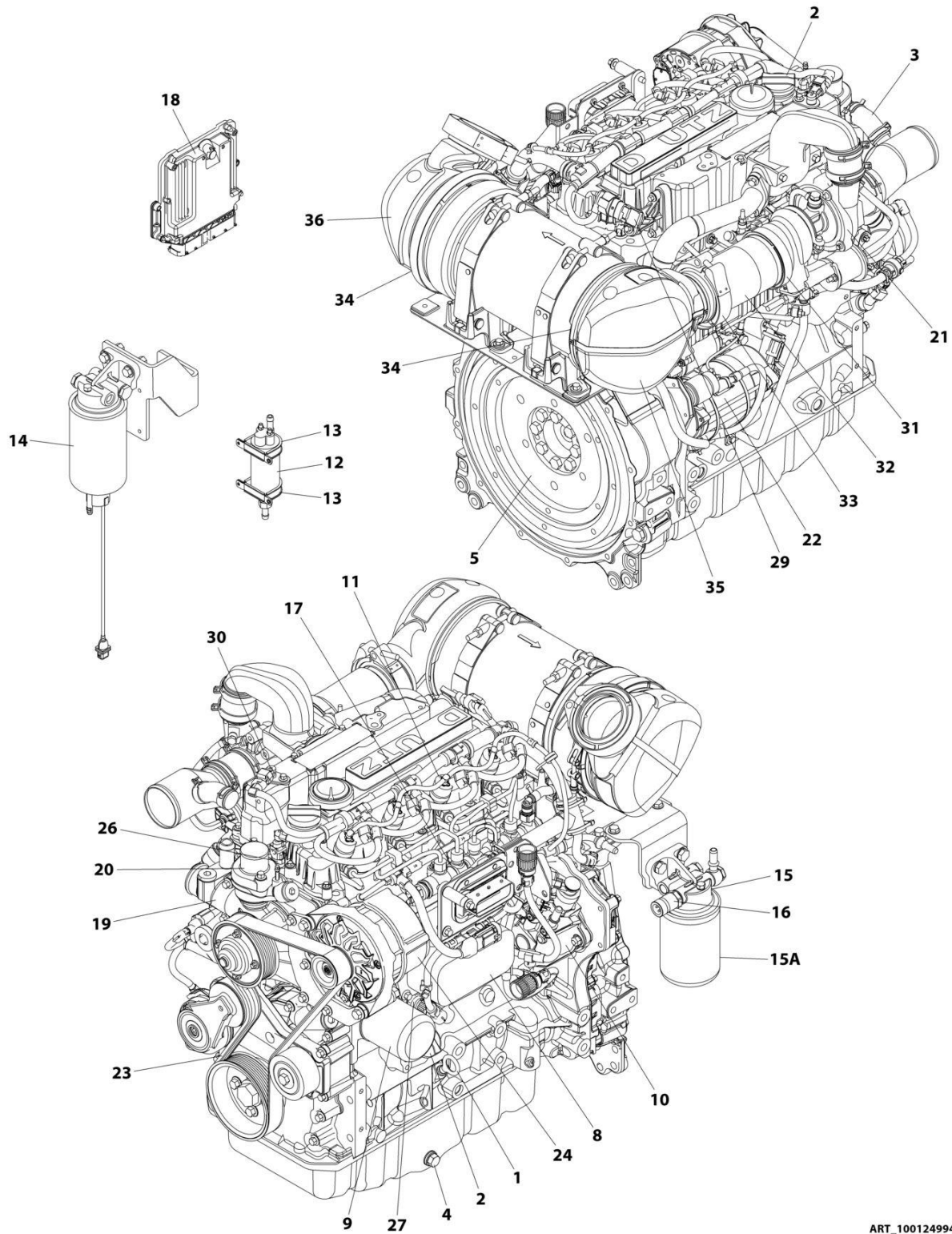
| ITEM | PART NUMBER | QTY | DESCRIPTION  | REV |
|------|-------------|-----|--|-----|
| 101  | 1001141995  | 1   | Fitting, Straight NPT/Barbed   |     |
| 102  | 1001142623  | 1   | Hose, Inlet  |     |
| 103  | 1001143390  | 1   | Indicator, Service   |     |
| 104  | 1001143797  | 1   | Fitting, Straight Metric/Barbed  |     |
| 105  | 1001143907  | 1   | Cable, Alternator Power (Not Shown)  |     |
| 106  | 1001145154  | 1   | Plate, Relay Mounting  |     |
| 107  | 1001152489  | 1   | Fitting, 90 Metric/ Barbed   |     |
| 109  | 1001165842  | 1   | Pipe   |     |
| 110  | 1001167042  | 1   | Radiator (Modine Radiator)   |     |
| 111  | 1001169054  | 4   | Pad, Isolator  |     |
| 112  | 1001169138  | 4   | Washer   |     |
| 113  | 1001176419  | 1   | Bracket, Tank  |     |
| 114  | 1001177359  | 1   | Hose   |     |
| 115  | 1001177844  | 1   | Hose, Radiator - Upper   |     |
| 116  | 1001177845  | 1   | Hose, Radiator - Lower   |     |
| 117  | 1001178223  | 2   | Bracket, Radiator  |     |
| 118  | 1001180620  | 1   | Adhesive   |     |
| 119  | 1001181899  | 1   | P-Clamp  |     |
| 120  | 1001186985  | 1   | Plate, Mounting  |     |
| 121  | 1001190610  | 1   | Tray   |     |
| 122  | 1001191620  | 3   | Clamp  |     |
| 123  | 1001202368  | 1   | Mount, Generator/Engine  |     |
| 124  | 1001204325  | 2   | Bracket, Radiator  |     |
| 125  | 1001230635  | 1   | Tank   |     |
| 125  | 0100020     | 1   | Sealant, Pipe  |     |
| 125  | 1001134488  | 1   | Fitting, 90 NPT/ Barbed  |     |
| 125  | 1001138827  | 1   | Sensor, Coolant Level  |     |
| 125  | 1001140564  | 1   | Fitting, 90 NPT/ Barbed  |     |
| 125  | 1001229542  | 1   | Tank, Surge  |     |
| 126  | 1001232844  | 1   | Engine, Deutz TD2.9L4 (Stage V)  |     |
| 127  | 1001238268  | 1   | Mount, Fuel Filter   |     |
| 128  | 1001238878  | 1   | Harness, Deutz TD2.9L4 (Stage V) Engine (Not Shown - See Separate Breakdown in ELECTRICAL SECTION) |     |
| 129  | 1001245913  | 1   | Harness, Deutz TD2.9L4 (Stage V) Engine Fuel Filter (See Separate Breakdown in ELECTRICAL SECTION) |     |
| 131  | 0641806     | 1   | Bolt 1/2 x 3/4   |     |
| 132  | 1062255     | 1   | Tie-Strap  |     |
| 133  | 4711800     | 1   | Washer 1/2   |     |
| 135  | 1001156107  | 1   | Holder, Cable  |     |





# SECTION 3 - ENGINE

## FIGURE 3-18. DEUTZ TD2.9L4 ENGINE COMPONENTS



ART\_1001249942

## SECTION 3 - ENGINE

### FIGURE 3-18. DEUTZ TD2.9L4 ENGINE COMPONENTS

| ITEM | PART NUMBER | QTY | DESCRIPTION   | REV |
|------|-------------|-----|---|-----|
|      | 1001249942  | Ref | ENGINE COMPONENTS - DEUTZ DT2.9L4                         | A   |
| 1    | 70024904    | 1   | Dipstick  |     |
| 1    | 70024905    | 1   | Seal  |     |
| 2    | 7020465     | 2   | Cap, Oil Fill   |     |
| 3    | 70025111    | 2   | Clamp   |     |
| 3    | 70005920    | 1   | Hose, Breather  |     |
| 4    | 70005941    | 2   | Plug  |     |
| 4    | 70005942    | 2   | Seal  |     |
| 5    | 70001870    | 1   | Flywheel with Ring Gear                                   |     |
| 5    | 7024579     | 1   | Gear, Ring  |     |
| 6    |             | Ref | Gasket and Seal Options (Not Shown)                       |     |
| 6    | 70004279    | 1   | Gasket Kit  |     |
| 6    | 70024906    | 1   | Gasket, Head  |     |
| 6    | 70025205    | 1   | Gasket, Small Valve Cover                                 |     |
| 6    | 70005171    | 1   | Gasket, Large Valve Cover                                 |     |
| 6    | 70005176    | 1   | O-Seal, Valve Cover to Air Charge Elbow                   |     |
| 6    | 70005177    | 1   | Gasket, Air Charge Pipe to Head                           |     |
| 6    | 70029557    | 2   | Gasket, Air Charge Pipe                                   |     |
| 6    | 70025164    | 1   | Gasket, Exhaust Manifold to Head                          |     |
| 6    | 70025179    | 1   | Gasket, Exhaust Manifold to EGR Pipe                      |     |
| 6    | 70007354    | 1   | Gasket, EGR Pipe to EGR Valve                             |     |
| 6    | 70007326    | 1   | Gasket, EGR Valve to Housing                              |     |
| 7    | 70005172    | 1   | Pump, Oil Lube (Not Shown - Located Front Left Side)      |     |
| 7    | 70025135    | 1   | O-Ring  |     |
| 7    | 70005173    | 1   | Gasket  |     |
| 8    | 70024494    | 1   | Cooler, Oil   |     |
| 8    | 70024925    | 1   | Gasket  |     |
| 9    | 7016331     | 1   | Filter, Oil   |     |
| 10   | 70024924    | 1   | Pump, High Pressure (Not Shown - Located Front Left Side) |     |
| 10   | 70025152    | 1   | O-Ring (Between Pump and Spacer)                          |     |
| 10   | 70024517    | 1   | O-Ring (Between Spacer and Engine Block)                  |     |
| 10   | 70004505    | 1   | Valve, Overflow   |     |
| 10   | 70004506    | 1   | O-Ring  |     |
| 10   | 70004507    | 1   | O-Ring  |     |
| 10   | 70004508    | 1   | Valve, Volume Control                                     |     |
| 10   | 70004509    | 1   | O-Ring  |     |
| 10   | 70004510    | 1   | O-Ring  |     |
| 11   | 70025181    | 4   | Injector Fuel   |     |
| 11   | 70025140    | 4   | Washer, Sealing   |     |
| 11   | 70025146    | 4   | Clamp (Top of Injector)                                   |     |
| 11   | 70025145    | 4   | O-Seal  |     |
| 11   | 70025154    | 4   | Shoe, Clamping  |     |
| 11   | 70000345    | 4   | Plug, Glow  |     |
| 11   | 70025231    | 1   | Harness, Glow Plug (Not Shown)                            |     |
| 12   | 70006144    | 1   | Pump, Fuel  |     |
| 13   | 70025144    | 2   | Clamp   |     |
| 14   | 70024961    | 1   | Filter, Fuel  |     |
| 14   | 70025153    | 1   | Element, Filter   |     |
| 14   | 70024513    | 1   | Cable, Sensor   |     |
| 14   | 70025239    | 1   | Seal  |     |

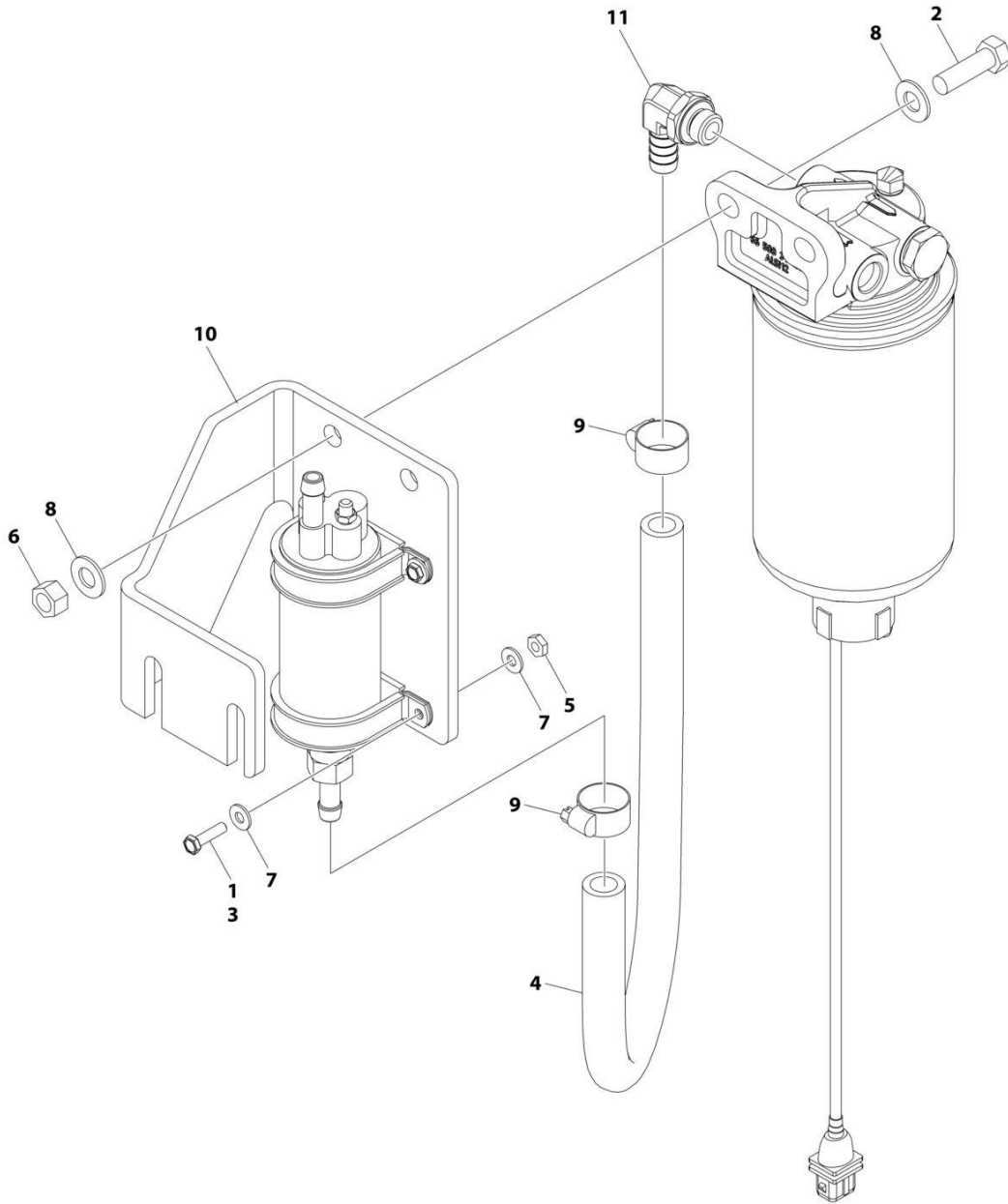
## SECTION 3 - ENGINE

| ITEM | PART NUMBER | QTY | DESCRIPTION   | REV |
|------|-------------|-----|---|-----|
| 15   | 70029451    | 1   | Filter With Head  |     |
| 15A  | 70025161    | 1   | Filter, Fuel  |     |
| 16   | 70028538    | 1   | Sensor, Pressure  |     |
| 16   | 70024920    | 1   | Seal  |     |
| 17   | 70025151    | 1   | Rail, Fuel  |     |
| 17   | 70025235    | 1   | Repair Kit  |     |
| 17   | 70025182    | 1   | Line, Fuel (Cylinders 1 & 2)  |     |
| 17   | 70025183    | 1   | Line, Fuel (Cylinders 3 & 4)  |     |
| 17   | 70025184    | 1   | Line, Fuel (To Rail)  |     |
| 18   | 70025210    | 1   | ECU (Engine Control Unit)   |     |
| 19   | 70029797    | 1   | Pump, Water   |     |
| 19   | 70025200    | 1   | Seal  |     |
| 19   | 70007235    | 1   | Gasket  |     |
| 20   | 70005929    | 1   | Thermostat  |     |
| 20   | 70005184    | 1   | O-Seal  |     |
| 20   | 70025142    | 1   | Cover, Thermostat   |     |
| 20   | 70005931    | 1   | Gasket  |     |
| 21   | 70004276    | 1   | Turbocharger  |     |
| 21   | 70024912    | 1   | Gasket, Square  |     |
| 21   | 70024509    | 1   | Gasket, Return Line   |     |
| 21   | 70006294    | 1   | O-Seal  |     |
| 22   | 70024915    | 1   | Starter   |     |
| 22   | 70005648    | 1   | Relay   |     |
| 22   | 70005647    | 1   | Solenoid  |     |
| 23   | 70004277    | 1   | Belt Drive  |     |
| 24   | 70006652    | 1   | Alternator  |     |
| 24   | 70006653    | 1   | Regulator, Voltage  |     |
| 25   | 70007489    | 1   | Harness, Engine (Not Shown)   |     |
| 26   | 70028540    | 1   | Sender, Temperature   |     |
| 27   | 70028538    | 1   | Sensor, Pressure  |     |
| 27   | 70024920    | 1   | Seal  |     |
| 28   | 70026210    | 2   | Sensor, Speed (Not Shown -Located Left Side Front and Flywheel Housing) |     |
| 28   | 70024917    | 1   | Seal (Cam Shaft Speed Sensor)   |     |
| 28   | 70005191    | 1   | Seal (Flywheel Shaft Speed Sensor)                                      |     |
| 29   | 70024507    | 1   | Sensor, Pressure  |     |
| 29   | 70025120    | 1   | Seal  |     |
| 30   | 70024922    | 1   | Sender, Temperature   |     |
| 30   | 70025212    | 1   | O-Seal  |     |
| 31   | 70005527    | 1   | Clamp   |     |
| 31   | 70025788    | 1   | Nut   |     |
| 32   | 70004504    | 1   | Compensator   |     |
| 33   | 70025242    | 1   | Gasket  |     |
| 33   | 70029433    | 1   | Clamp   |     |
| 34   | 70029517    | 2   | Clamp   |     |
| 34   | 70029520    | 2   | Gasket  |     |
| 35   | 70007355    | 1   | Inlet   |     |
| 35   | 70007331    | 1   | Outlet  |     |



# SECTION 3 - ENGINE

## FIGURE 3-19. FUEL PUMP/FILTER BRACKET ASSEMBLY (DEUTZ TD2.9L4 ENGINES)



ART\_1001162335

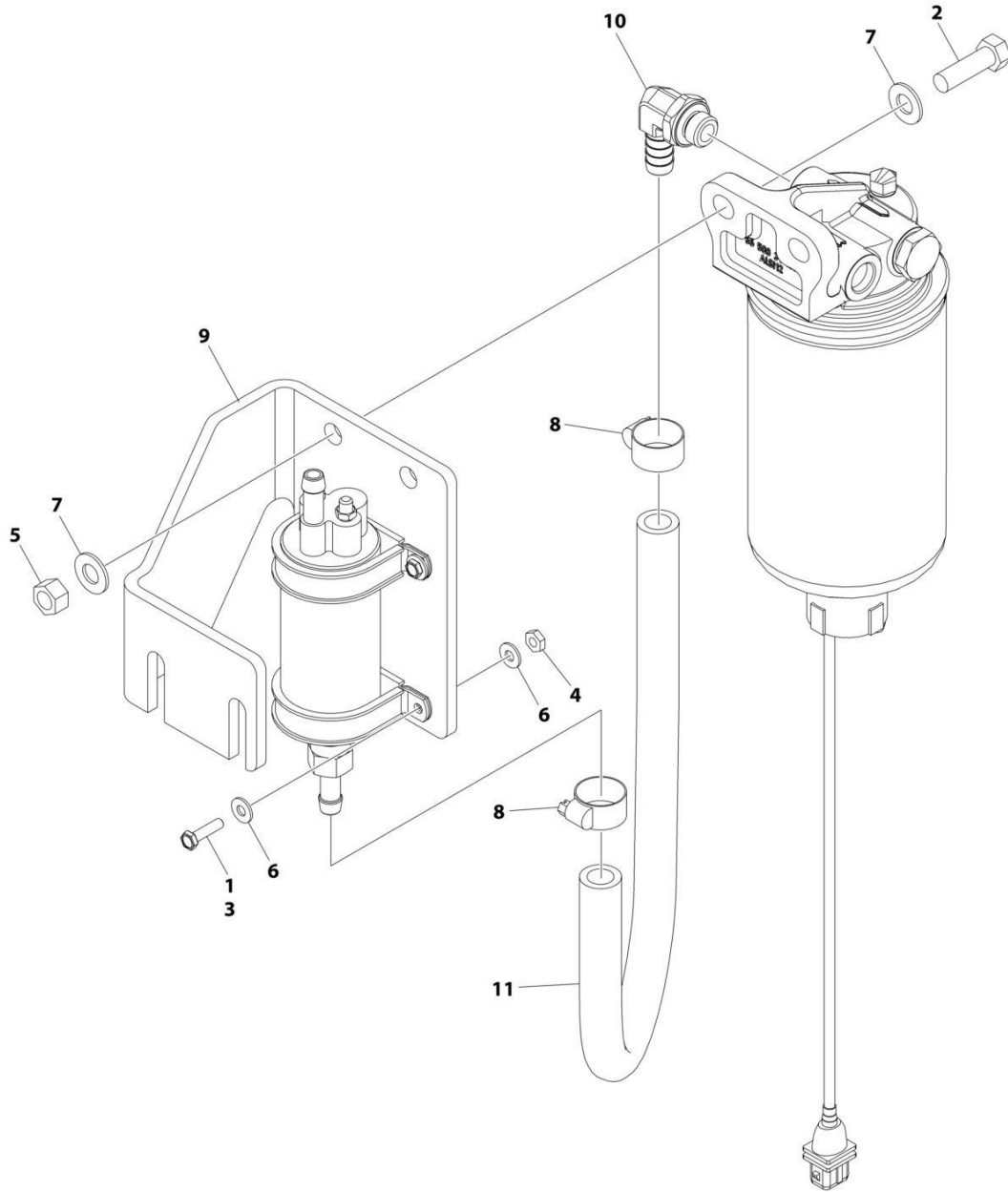
## SECTION 3 - ENGINE

**FIGURE 3-19. FUEL PUMP/FILTER BRACKET ASSEMBLY (DEUTZ TD2.9L4 ENGINES)**

| ITEM | PART NUMBER | QTY             | DESCRIPTION   | REV |
|------|-------------|-----------------|---|-----|
|      | 1001162335  | Ref             | BRACKET ASSEMBLY - FUEL PUMP AND FILTER (DEUTZ D2.9L4 ENGINE) | D   |
| 1    | 0100011     | AR              | Compound, Locking   |     |
| 2    | 0641610     | 2               | Bolt 3/8 x 1-1/4  |     |
| 3    | 0721006     | 4               | Bolt #10 x 3/4  |     |
| 4    | 1001154405  | 1.5 ft<br>/0.4m | Hose  |     |
| 5    | 3311001     | 4               | Nut #10   |     |
| 6    | 3311605     | 2               | Nut 3/8   |     |
| 7    | 4711000     | 8               | Washer #10  |     |
| 8    | 4711600     | 4               | Washer 3/8  |     |
| 9    | 8405006     | 2               | Clamp   |     |
| 10   | 1001141870  | 1               | Plate, Fuel Pump Mount  |     |
| 11   | 1001142501  | 1               | Fitting, Elbow Barbed   |     |

# SECTION 3 - ENGINE

## FIGURE 3-20. FUEL PUMP/FILTER BRACKET ASSEMBLY (DEUTZ TD2.9L4 (STAGE V) ENGINES)



ART\_1001235949



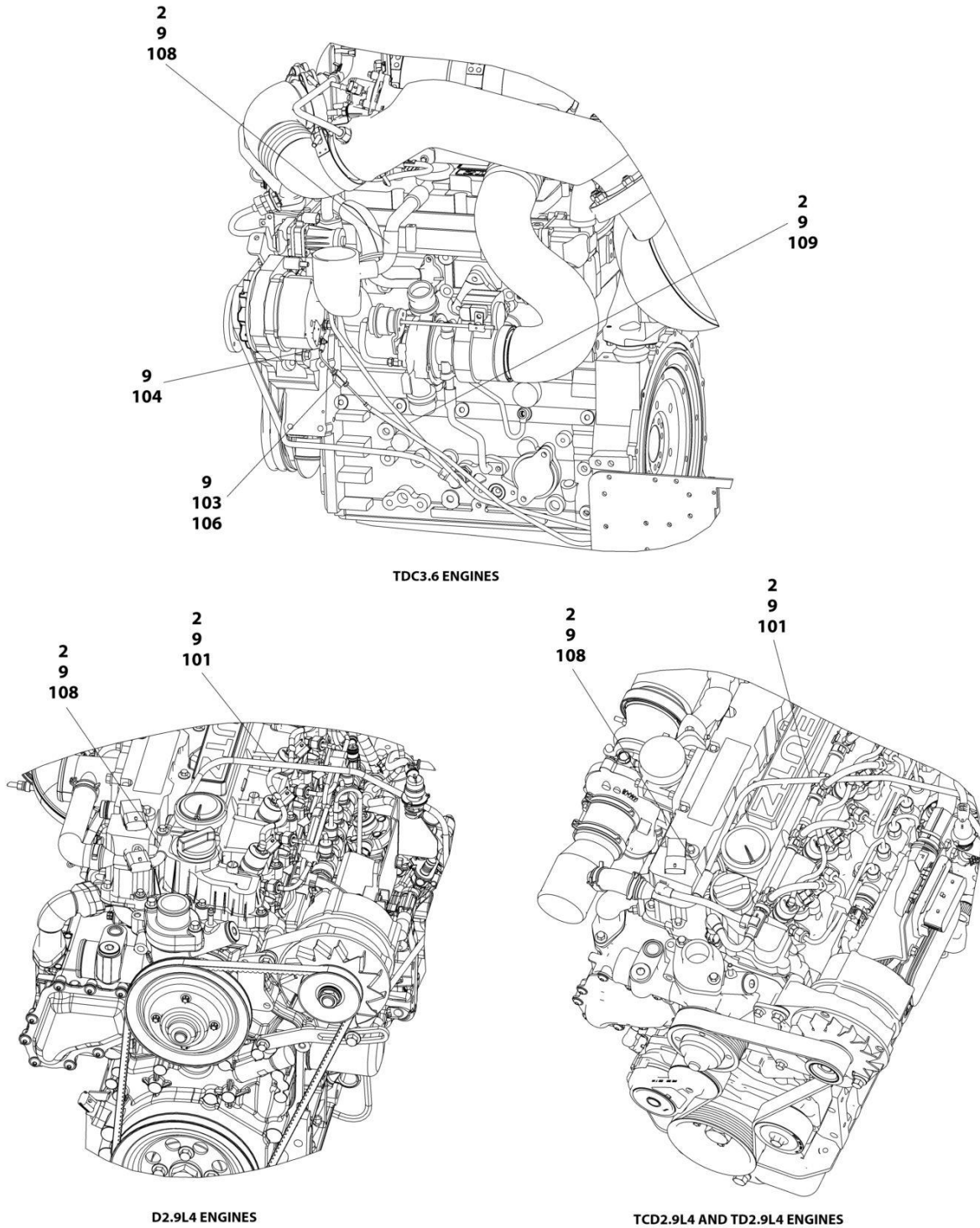
## SECTION 3 - ENGINE

**FIGURE 3-20. FUEL PUMP/FILTER BRACKET ASSEMBLY (DEUTZ TD2.9L4 (STAGE V) ENGINES)**

| ITEM | PART NUMBER | QTY             | DESCRIPTION   | REV |
|------|-------------|-----------------|---|-----|
|      | 1001235949  | Ref             | BRACKET ASSEMBLY - FUEL PUMP AND FILTER (DEUTZ D2.9L4 (STAGE V) ENGINE) | A   |
| 1    | 0100035     | AR              | Compound, Locking   |     |
| 2    | 0641610     | 2               | Bolt 3/8 x 1-1/4  |     |
| 3    | 0721006     | 4               | Bolt #10 x 3/4  |     |
| 4    | 3311001     | 4               | Nut #10   |     |
| 5    | 3311605     | 2               | Nut 3/8   |     |
| 6    | 4711000     | 8               | Washer #10  |     |
| 7    | 4711600     | 4               | Washer 3/8  |     |
| 8    | 8405006     | 2               | Clamp   |     |
| 9    | 1001141870  | 1               | Plate, Fuel Pump Mount  |     |
| 10   | 1001142501  | 1               | Fitting, Elbow Barbed   |     |
| 11   | 1001154405  | 1.5 ft<br>/0.4m | Hose  |     |

# SECTION 3 - ENGINE

## FIGURE 3-21. BREATHER HEATER INST (DEUTZ TD2.9L4 ENGINES)



ART\_1001233763

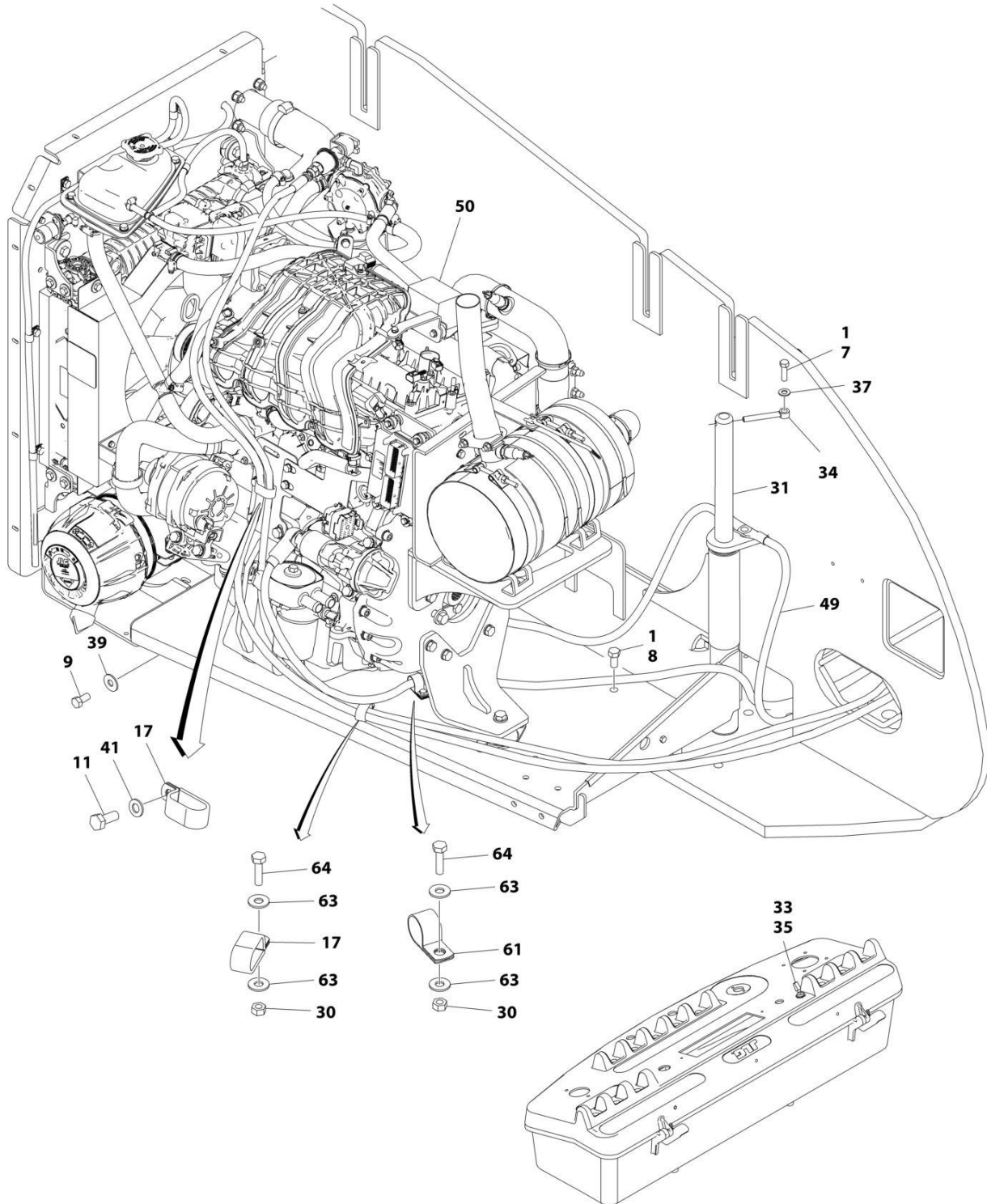
## SECTION 3 - ENGINE

### FIGURE 3-21. BREATHER HEATER INST (DEUTZ TD2.9L4 ENGINES)

| ITEM | PART NUMBER | QTY | DESCRIPTION                                  | REV |
|------|-------------|-----|--|-----|
|      | 1001233763  | Ref | BREATHER HEATER INSTALLATION - DEUTZ ENGINES | D   |
| 2    | 4240099     | AR  | Tie-Strap                                    |     |
| 9    | 1001243895  | 1   | Breather Heater Harness                      | B   |
| 101  | 2820035     | AR  | Insulation                                   |     |
| 103  | 2400060     | 1   | Fuseholder with Cover                        |     |
| 104  | 4460043     | 1   | Terminal, Ring                               |     |
| 105  | 4460722     | 1   | Terminal, Ring (Not Shown)                   |     |
| 106  | 1001196634  | 1   | Fuse - 2 Amp                                 |     |
| 108  | 1001232842  | 1   | Breather Heater Kit                          |     |

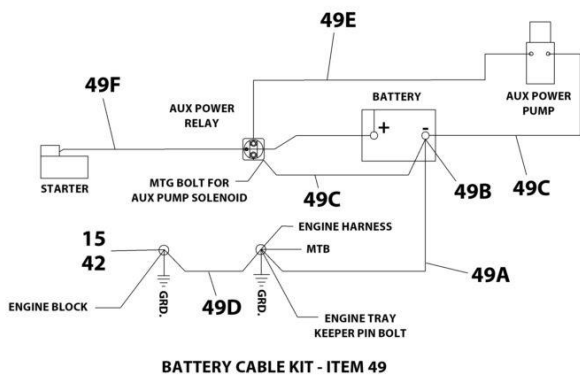
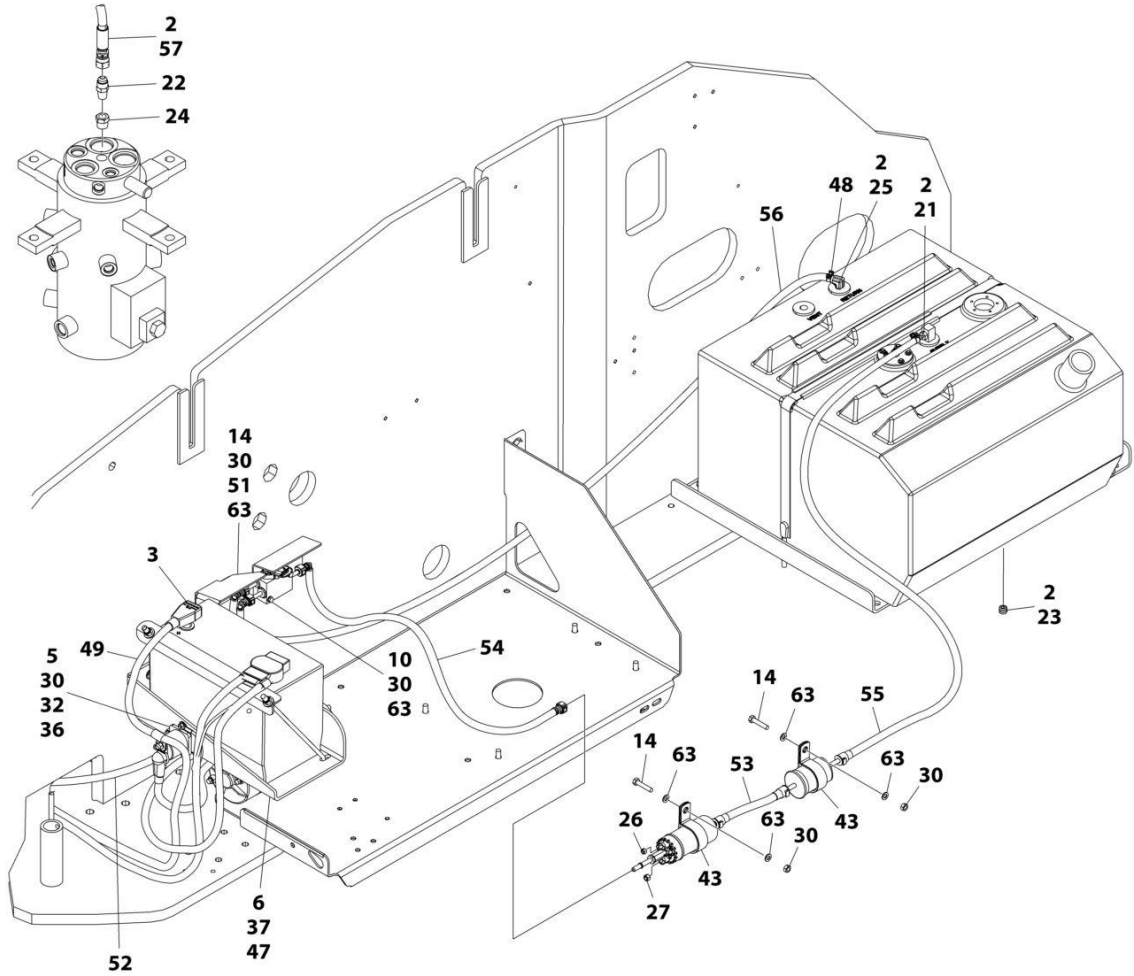
# SECTION 3 - ENGINE

## FIGURE 3-22. FORD ENGINE INSTALLATION (WITHOUT ARCTIC PACKAGE)



ART\_1001217193\_10F2

# SECTION 3 - ENGINE



ART\_1001217193\_20F2

## SECTION 3 - ENGINE

FIGURE 3-22. FORD ENGINE INSTALLATION (WITHOUT ARCTIC PACKAGE)

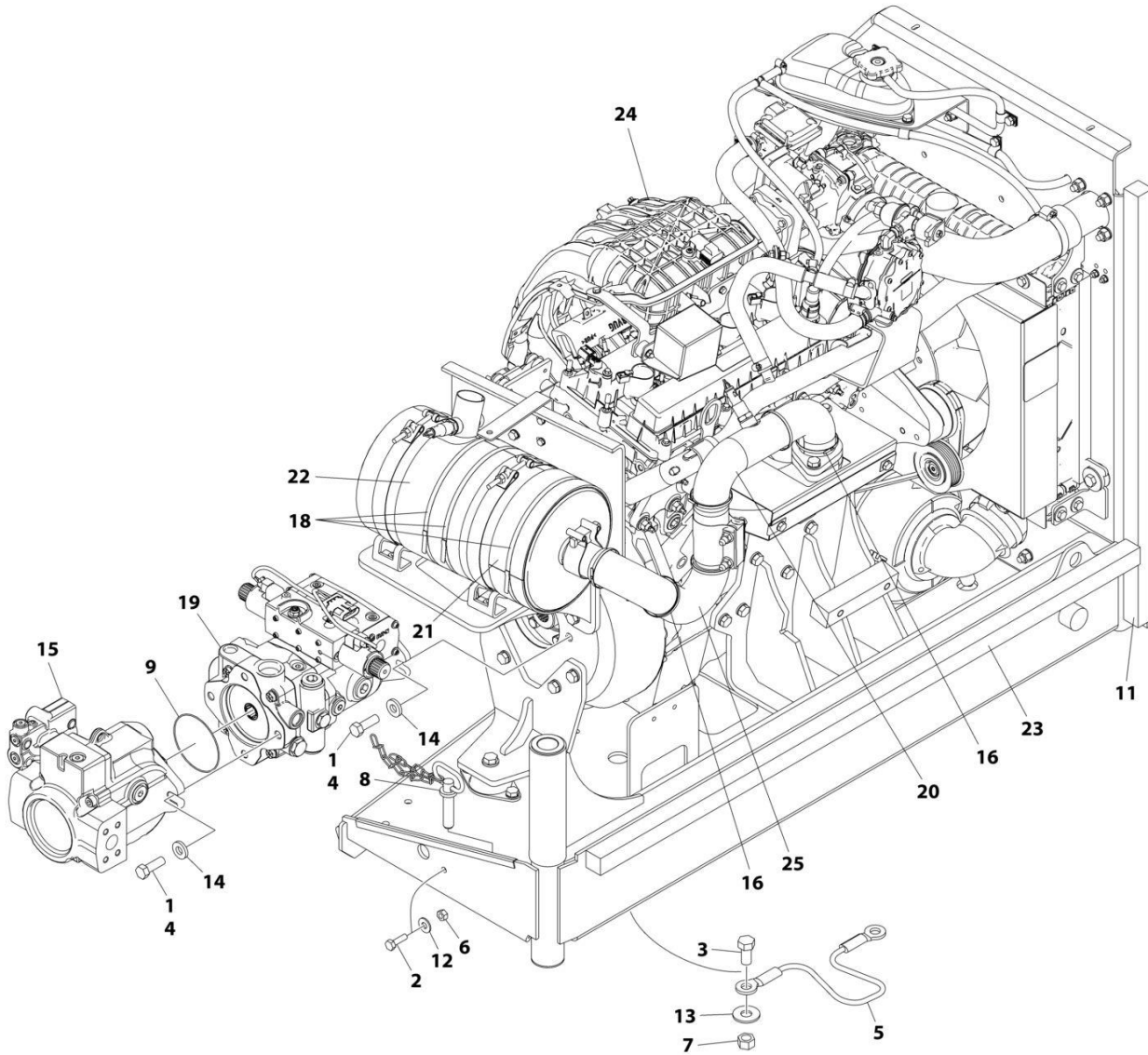
| ITEM | PART NUMBER | QTY | DESCRIPTION  | REV |
|------|-------------|-----|--|-----|
|      | 1001217193  | Ref | FORD ENGINE INSTALLATION   | I   |
| 1    | 0100011     | AR  | Compound, Locking  |     |
| 2    | 0100020     | AR  | Sealant  |     |
| 3    | 0100048     | AR  | Grease, Terminal   |     |
| 5    | 0641406     | 2   | Bolt 1/4 x 3/4   |     |
| 6    | 0641607     | 3   | Bolt 3/8 x 7/8   |     |
| 7    | 0641610     | 1   | Bolt 3/8 x 1-1/4   |     |
| 8    | 0641808     | 1   | Bolt 1/2 x 1   |     |
| 9    | 0642010     | 1   | Bolt 5/8 x 1-1/4   |     |
| 10   | 0641420     | 2   | Bolt 1/4 x 2-1/2   |     |
| 11   | 0760810     | 1   | Bolt M8 x 20   |     |
| 14   | 0641412     | 4   | Bolt 1/4 x 1-1/2   |     |
| 15   | 0761008     | 1   | Bolt M10 x 16  |     |
| 17   | 1321283     | 2   | Clamp  |     |
| 19   | 1701542     | 1   | Decal - Gas (Not Shown)  |     |
| 20   | 1701543     | AR  | Decal - LPG (Not Shown)  |     |
| 21   | 2180348     | 1   | Fitting, Straight NPT/Barbed   |     |
| 22   | 2180418     | 1   | Fitting, Straight  |     |
| 23   | 2200222     | 1   | Plug   |     |
| 24   | 2221197     | 1   | Fitting, Straight NPT  |     |
| 25   | 2221176     | 1   | Fitting, 90  |     |
| 26   | 3290405     | 1   | Nut M4   |     |
| 27   | 3290505     | 1   | Nut M5   |     |
| 30   | 3311405     | 10  | Nut 1/4  |     |
| 31   | 3422446     | 1   | Pin  |     |
| 32   | 3740067     | 1   | Relay  |     |
| 33   | 3790012     | 1   | O-Ring (Not Shown - Located on Platform Console Box)                       |     |
| 34   | 3841143     | 1   | Keeper, Pin  |     |
| 35   | 4360336     | 1   | Switch, Toggle (Not Shown - Located on Platform Console Box)               |     |
| 36   | 4711400     | 4   | Washer 1/4   |     |
| 37   | 4711600     | 4   | Washer 3/8   |     |
| 39   | 4752000     | 1   | Washer 5/8   |     |
| 41   | 4811900     | 1   | Washer M8  |     |
| 42   | 4812000     | 1   | Washer M10   |     |
| 43   | 85941018    | 2   | Clamp  |     |
| 47   | 1001162497  | 1   | Bracket, Battery   |     |
| 48   | 1001174486  | 2   | Clamp  |     |
| 49   | 1001216568  | 1   | Battery Cable Kit  |     |
| 49A  | 7027084     | 1   | Cable, Battery - Ground to Battery -                                       |     |
| 49B  | 8270147     | 1   | Terminal, Battery with Boot  |     |
| 49C  | 7027085     | 1   | Cable, Battery - Auxiliary Pump/Relay to Battery -                         |     |
| 49D  | 7027086     | 1   | Cable, Battery - Engine to Ground  |     |
| 49E  | 7027088     | 1   | Cable, Battery - Auxiliary Relay to Auxiliary Pump                         |     |
| 49F  | 70009020    | 1   | Cable, Battery - Starter/Auxiliary Relay to Battery +                      |     |
| 50   | 1001217192  | Ref | Ford Engine and Pump Sub-Assembly (See Separate Breakdown in this Section) |     |
| 51   | 1001219370  | 1   | Bracket  |     |
| 52   | 1001219634  | 1   | Hose   |     |
| 53   | 1001156823  | 1   | Hose   |     |
| 54   | 1001219636  | 1   | Hose   |     |

## SECTION 3 - ENGINE

| ITEM | PART NUMBER | QTY | DESCRIPTION           | REV |
|------|-------------|-----|-----------------------|-----|
| 55   | 1001219637  | 1   | Hose                  |     |
| 56   | 1001219638  | 1   | Hose                  |     |
| 57   | 1001219639  | 1   | Hose                  |     |
| 58   | 4240099     | AR  | Tie-Strap (Not Shown) |     |
| 61   | 8406201     | 1   | Clip                  |     |
| 63   | 4751400     | 16  | Washer 1/4            |     |
| 64   | 0641408     | 2   | Bolt 1/4 x 1          |     |

# SECTION 3 - ENGINE

## FIGURE 3-23. FORD ENGINE AND PUMP SUB-ASSEMBLY (WITHOUT ARCTIC PACKAGE)



ART\_1001217192



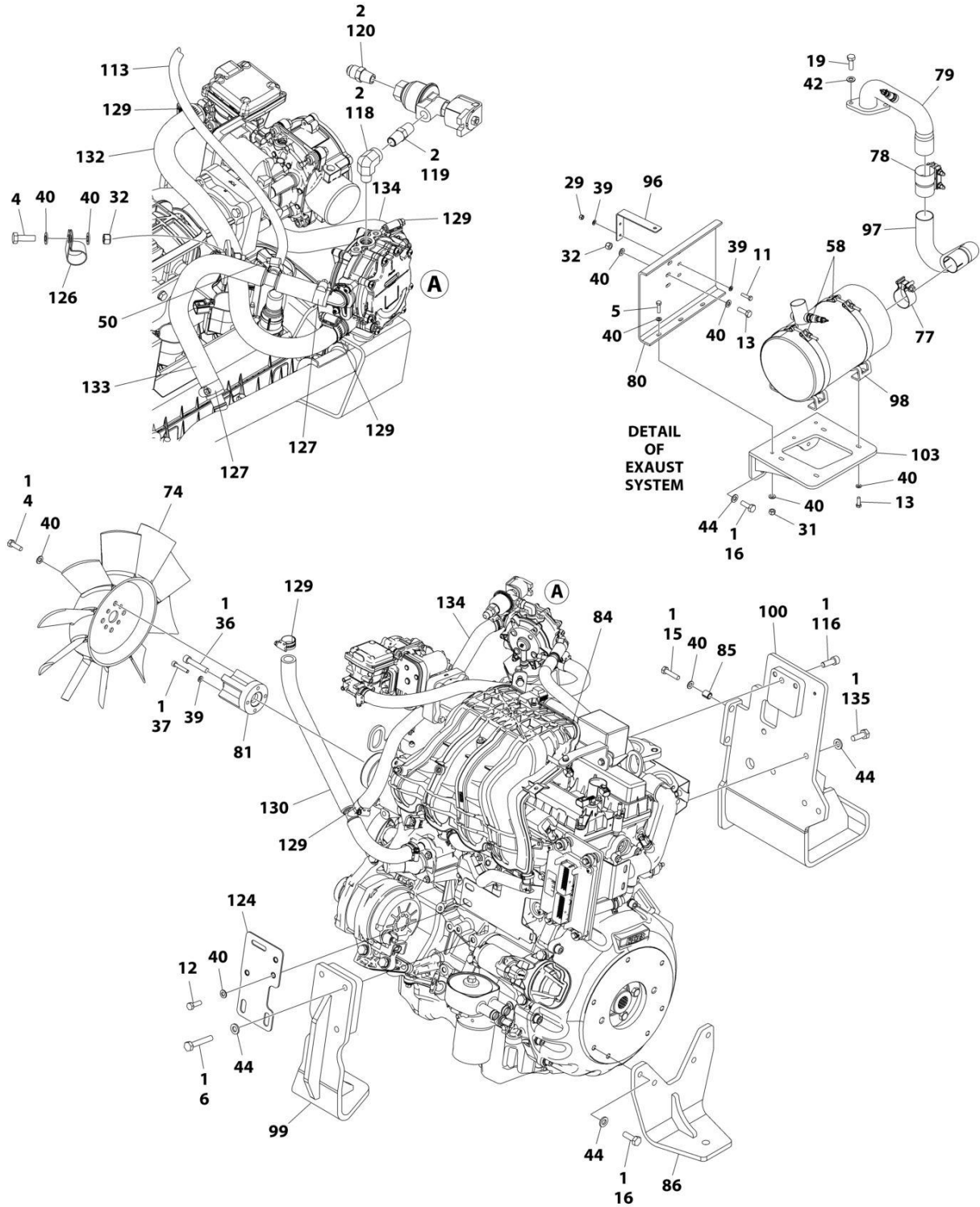
## SECTION 3 - ENGINE

**FIGURE 3-23. FORD ENGINE AND PUMP SUB-ASSEMBLY (WITHOUT ARCTIC PACKAGE)**

| ITEM | PART NUMBER | QTY | DESCRIPTION  | REV |
|------|-------------|-----|--|-----|
|      | 1001217192  | Ref | FORD ENGINE AND PUMP SUB-ASSEMBLY (WITHOUT ARCTIC PACKAGE)                           | E   |
| 1    | 0100011     | AR  | Compound, Locking  |     |
| 2    | 0641407     | 1   | Bolt 1/4 x 7/8   |     |
| 3    | 0641808     | 1   | Bolt 1/2 x 1   |     |
| 4    | 0641812     | 4   | Bolt 1/2 x 1-1/2   |     |
| 5    | 1060637     | 1   | Cable, Lanyard   |     |
| 6    | 3311405     | 1   | Nut 1/4  |     |
| 7    | 3311805     | 1   | Nut 1/2  |     |
| 8    | 3422532     | 1   | Pin  |     |
| 9    | 3790044     | 1   | O-Ring   |     |
| 11   | 3960469     | 1   | Seal   |     |
| 12   | 4751400     | 1   | Washer 1/4   |     |
| 13   | 4751800     | 1   | Washer 1/2   |     |
| 14   | 4891800     | 4   | Washer 1/2   |     |
| 15   | 1001094595  | 1   | Variable Pump Assembly (See Separate Breakdown in this Section)                      |     |
| 16   | 1001100825  | 6   | Strap  |     |
| 18   | 1001221464  | 3   | Strap  |     |
| 19   | 1001225745  | 1   | Hydrostatic Pump Assembly (See Separate Breakdown in this Section)                   |     |
| 20   | 1001216532  | 1   | Insulate, Exhaust Pipe   |     |
| 21   | 1001216534  | 1   | Insulate, Muffler  |     |
| 22   | 1001216535  | 1   | Insulate, Muffler  |     |
| 23   | 1001217170  | 1   | Seal   |     |
| 24   | 1001217191  | 1   | Ford Engine Assembly without Arctic Package (See Separate Breakdown in this Section) |     |
| 25   | 1001218085  | 1   | Insulate, Exhaust Pipe   |     |

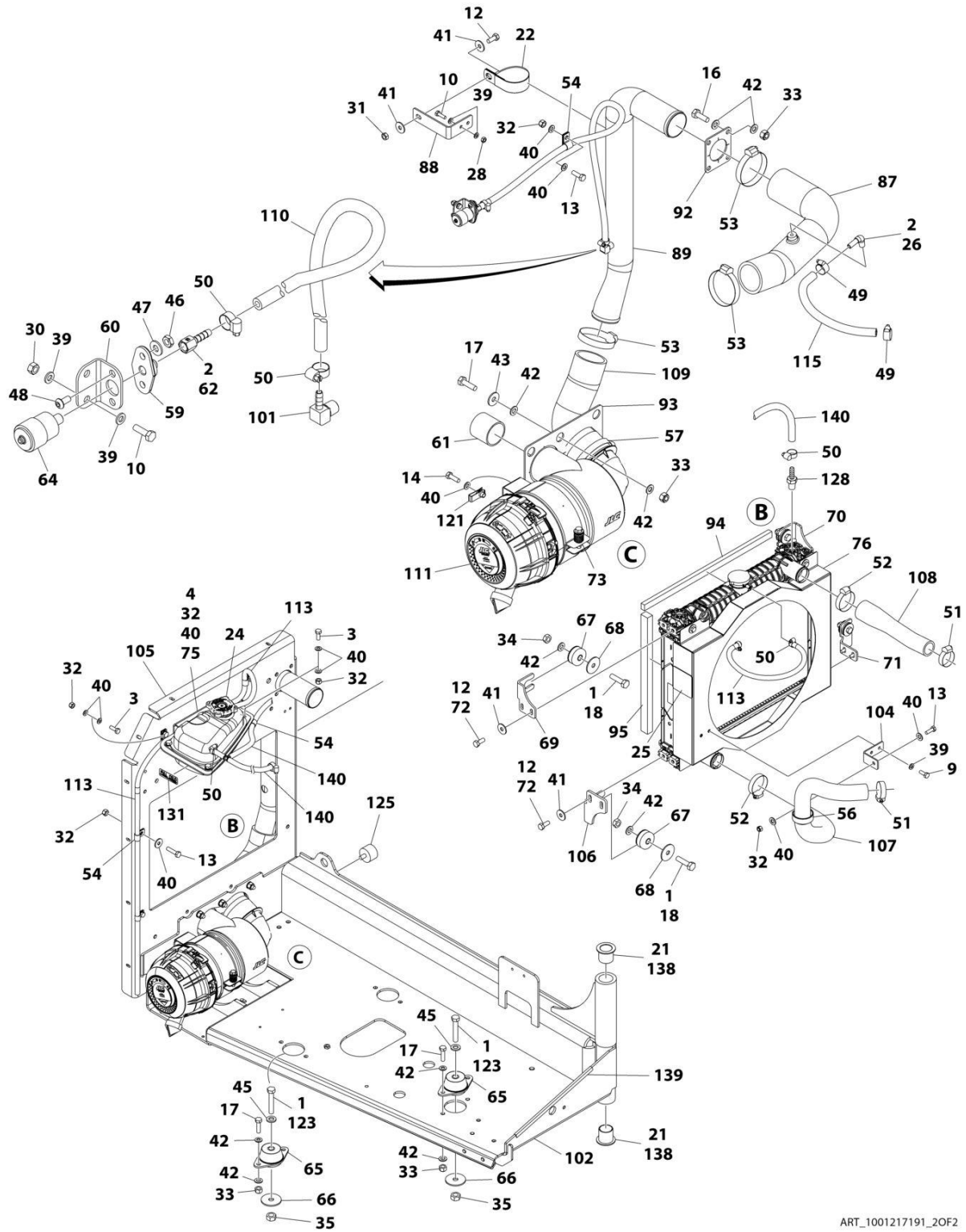
# SECTION 3 - ENGINE

## FIGURE 3-24. FORD ENGINE ASSEMBLY (WITHOUT ARCTIC PACKAGE)



ART\_1001217191\_10F2

# SECTION 3 - ENGINE



ART\_1001217191\_2OF2

## SECTION 3 - ENGINE

FIGURE 3-24. FORD ENGINE ASSEMBLY (WITHOUT ARCTIC PACKAGE)

| ITEM | PART NUMBER | QTY | DESCRIPTION                | REV |
|------|-------------|-----|----------------------------|-----|
|      | 1001217191  | Ref | FORD ENGINE ASSEMBLY       | M   |
| 1    | 0100011     | AR  | Compound, Locking          |     |
| 2    | 0100020     | AR  | Sealant                    |     |
| 3    | 0700810     | 3   | Bolt 8 x 20                |     |
| 4    | 0700812     | 7   | Bolt 8 x 25                |     |
| 5    | 0700814     | 3   | Bolt 8 x 30                |     |
| 6    | 0711020     | 3   | Bolt M10 x 60              |     |
| 9    | 0760608     | 2   | Bolt 6 x 16                |     |
| 10   | 0760610     | 4   | Bolt M6 x 20               |     |
| 11   | 0760612     | 2   | Bolt 6 x 25                |     |
| 12   | 0760810     | 11  | Bolt M8 x 20               |     |
| 13   | 0760812     | 12  | Bolt M8 x 25               |     |
| 14   | 0760814     | 2   | Bolt M8 x 30               |     |
| 15   | 0760815     | 2   | Bolt M8 x 35               |     |
| 16   | 0761014     | 11  | Bolt M10 x 30              |     |
| 17   | 0761015     | 12  | Bolt M10 x 35              |     |
| 18   | 0761016     | 4   | Bolt M10 x 40              |     |
| 19   | 0771014     | 2   | Bolt 10 x 30               |     |
| 21   | 0961986     | 2   | Bearing, Flange            |     |
| 22   | 1320110     | 1   | Clamp                      |     |
| 23   | 1001187781  | 1   | Tie-Strap (Not Shown)      |     |
| 24   | 1001223584  | 1   | Tank, Surge                |     |
| 25   | 1703162     | 2   | Decal - Fan Blade          |     |
| 26   | 2180467     | 1   | Fitting, Straight NPT/Barb |     |
| 28   | 3290601     | 2   | Nut M6                     |     |
| 29   | 3290605     | 2   | Nut M6                     |     |
| 30   | 3290607     | 2   | Nut M6                     |     |
| 31   | 3290801     | 4   | Nut M8                     |     |
| 32   | 3290805     | 14  | Nut M8                     |     |
| 33   | 3291005     | 16  | Nut M10                    |     |
| 34   | 3291001     | 4   | Nut M10                    |     |
| 35   | 3291201     | 3   | Nut M12                    |     |
| 36   | 3931640     | 1   | Screw 3/8 x 2-1/2          |     |
| 37   | 4031711     | 4   | Capscrew M6 x 35           |     |
| 38   | 4240099     | AR  | Tie-Strap (Not Shown)      |     |
| 39   | 4811700     | 18  | Washer M6                  |     |
| 40   | 4811900     | 48  | Washer M8                  |     |
| 41   | 4811902     | 10  | Washer M8                  |     |
| 42   | 4812000     | 38  | Washer M10                 |     |
| 43   | 4812002     | 6   | Washer M10                 |     |
| 44   | 5241000     | 15  | Washer M10                 |     |
| 45   | 5241200     | 3   | Washer M12                 |     |
| 46   | 8305401     | 2   | Nut Jam                    |     |
| 47   | 8307109     | 2   | Washer                     |     |
| 48   | 8310548     | 2   | Screw 1/4 x 1/2            |     |
| 49   | 8405006     | 2   | Clamp                      |     |
| 50   | 8405009     | 5   | Gear                       |     |
| 51   | 8405102     | 2   | Clamp                      |     |
| 52   | 8405104     | 2   | Clamp                      |     |
| 53   | 8405203     | 3   | Clamp                      |     |

## SECTION 3 - ENGINE

| ITEM | PART NUMBER | QTY    | DESCRIPTION  | REV |
|------|-------------|--------|--|-----|
| 54   | 8406109     | 6      | Clip   |     |
| 56   | 8410001     | 1      | Clamp  |     |
| 57   | 8410011     | 1      | Clamp  |     |
| 58   | 1001128901  | 2      | Strap  |     |
| 59   | 1001138173  | 1      | Support  |     |
| 60   | 1001138175  | 1      | Bracket  |     |
| 61   | 1001141585  | 1      | Hose   |     |
| 62   | 1001141995  | 2      | Fitting, Straight NPT/Barbed                                       |     |
| 64   | 1001149639  | 1      | Indicator, Restriction   |     |
| 65   | 1001191610  | 3      | Mount, Motor   |     |
| 66   | 1001168018  | 3      | Washer   |     |
| 67   | 1001169054  | 4      | Isolator   |     |
| 68   | 1001169138  | 4      | Pad, Snubbing  |     |
| 69   | 1001169967  | 1      | Bracket  |     |
| 70   | 1001170035  | 1      | Bracket  |     |
| 71   | 1001176329  | 1      | Bracket  |     |
| 72   | 1001180620  | AR     | Adhesive   |     |
| 73   | 1001186426  | 1      | Clamp  |     |
| 74   | 1001223042  | 1      | Fan  |     |
| 75   | 1001225442  | 1      | Bracket  |     |
| 76   | 1001223923  | 1      | Radiator   |     |
| 77   | 1001215681  | 1      | Clamp  |     |
| 78   | 1001215974  | 1      | Clamp  |     |
| 79   | 1001216075  | 1      | Pipe, Exhaust  |     |
| 80   | 1001216092  | 1      | Shield, Heat   |     |
| 81   | 1001216201  | 1      | Adapter  |     |
| 84   | 1001216910  | 1      | Ford Engine Prep Assembly (See Separate Breakdown in this Section) |     |
| 85   | 1001216919  | 2      | Sleeve   |     |
| 86   | 1001216995  | 1      | Mount, Engine Rear   |     |
| 87   | 1001217032  | 1      | Tube   |     |
| 88   | 1001217046  | 1      | Bracket  |     |
| 89   | 1001217090  | 1      | Tube   |     |
| 92   | 1001217174  | 1      | Seal   |     |
| 93   | 1001217175  | 1      | Seal   |     |
| 94   | 1001217183  | 2      | Seal   |     |
| 95   | 1001217185  | 2      | Seal   |     |
| 96   | 1001217186  | 1      | Support  |     |
| 97   | 1001217317  | 1      | Pipe   |     |
| 98   | 1001217543  | 2      | Mount  |     |
| 99   | 1001218362  | 1      | Mount  |     |
| 100  | 1001218449  | 1      | Bracket  |     |
| 101  | 1001134488  | 1      | Fitting  |     |
| 102  | 1001219259  | 1      | Support  |     |
| 103  | 1001219345  | 1      | Muffler  |     |
| 104  | 1001219361  | 1      | Support  |     |
| 105  | 1001219363  | 1      | Plate  |     |
| 106  | 1001219480  | 1      | Bracket  |     |
| 107  | 1001219611  | 1      | Hose   |     |
| 108  | 1001219612  | 1      | Hose   |     |
| 109  | 1001219613  | 1      | Tube   |     |
| 110  | 1001138248  | 31 in/ | Tube   |     |

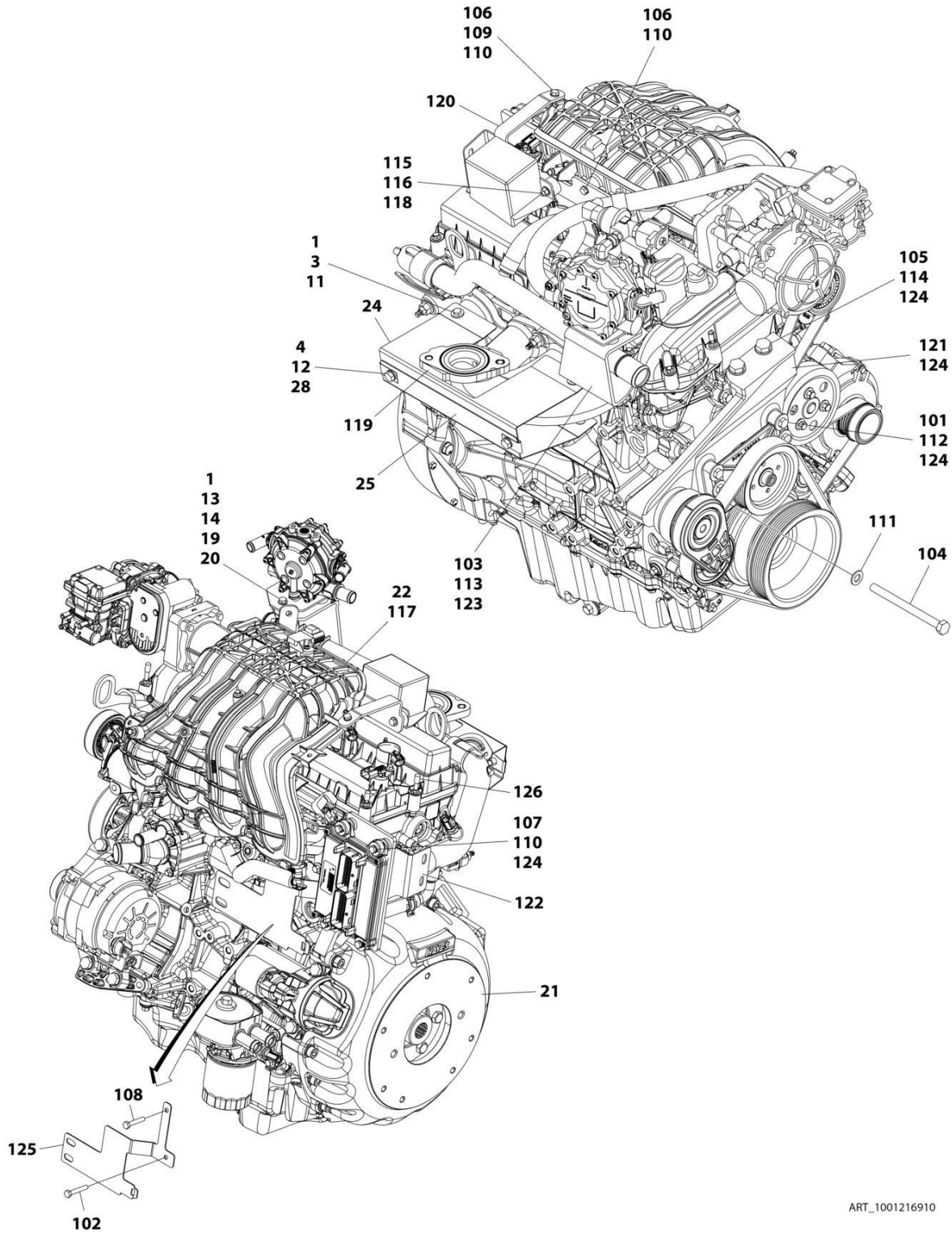
## SECTION 3 - ENGINE

| ITEM | PART NUMBER | QTY            | DESCRIPTION                | REV |
|------|-------------|----------------|----------------------------|-----|
|      |             | 77cm           |                            |     |
| 111  | 1001189979  | 1              | Air Filter Assembly        |     |
| 111  | 70005008    | 1              | Element, Filter - Primary  |     |
| 111  | 70006460    | 1              | Element, Filter -Secondary |     |
| 111  | 8273291     | 1              | Valve, Dust Evacuator      |     |
| 111  | 70006461    | 1              | Cover                      |     |
| 113  | 2720058     | 55 in/<br>1.5m | Hose                       |     |
| 115  | 1001165035  | 10 26cm        | Hose                       |     |
| 116  | 5272010     | 1              | Bolt M10 x 30              |     |
| 118  | 1001247359  | 1              | Adapter                    |     |
| 119  | 2220261     | 1              | Fitting                    |     |
| 120  | 2180418     | 1              | Fitting                    |     |
| 121  | 1001221615  | 2              | Nut M8                     |     |
| 123  | 0711223     | 3              | Bolt 12 x 75               |     |
| 124  | 1001222033  | 1              | Plate                      |     |
| 125  | 0940070     | 1              | Bumper                     |     |
| 126  | 8406201     | 1              | Clip                       |     |
| 127  | 8410009     | 2              | Gear Clamp                 |     |
| 128  | 2180348     | 1              | Fitting                    |     |
| 129  | 1001173535  | 6              | Clamp                      |     |
| 130  | 1001224489  | 1              | Hose                       |     |
| 131  | 1001225510  | 1              | Decal                      |     |
| 132  | 1001216531  | 1              | Hose                       |     |
| 133  | 1001227666  | 1              | Hose                       |     |
| 134  | 1001224486  | 1              | Hose                       |     |
| 135  | 0711014     | 5              | Bolt 10 x 30               |     |
| 138  | 0100062     | AR             | Compound Locking           |     |
| 139  | 4060805     | 16 in/<br>41cm | Shield                     |     |
| 140  | 1001227667  | 1              | Hose                       |     |



# SECTION 3 - ENGINE

## FIGURE 3-25. FORD ENGINE PREP ASSEMBLY



ART\_1001216910



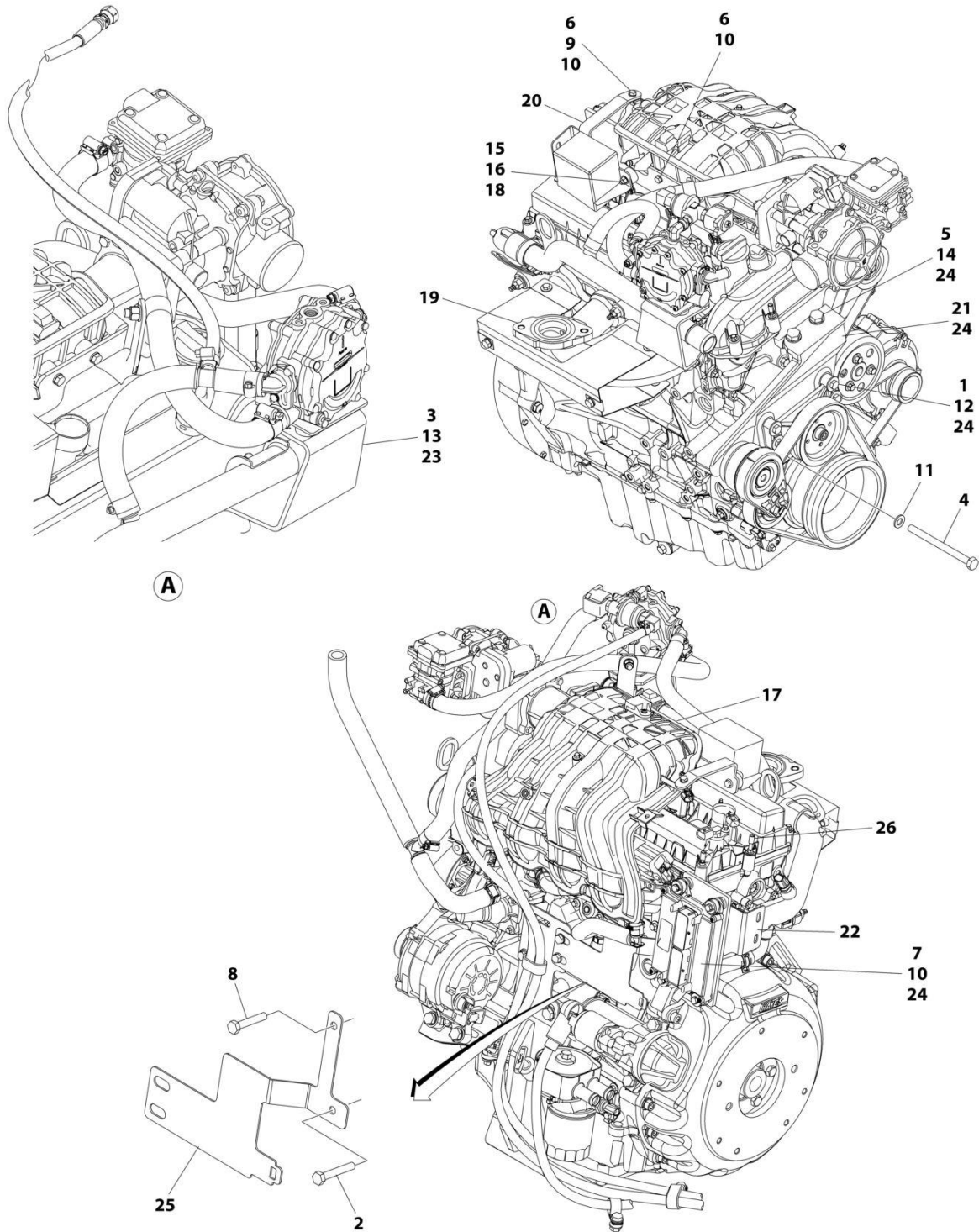
## SECTION 3 - ENGINE

**FIGURE 3-25. FORD ENGINE PREP ASSEMBLY**

| ITEM | PART NUMBER | QTY | DESCRIPTION  | REV |
|------|-------------|-----|--|-----|
|      | 1001216910  | Ref | FORD ENGINE PREP ASSEMBLY                                  | F   |
| 1    | 0100011     | AR  | Compound, Locking  |     |
| 3    | 0760605     | 4   | Bolt M6 x 10   |     |
| 4    | 0760807     | 2   | Bolt M8 x 14   |     |
| 11   | 4811702     | 4   | Washer M6  |     |
| 12   | 4811900     | 2   | Washer M8  |     |
| 13   | 5250605     | 3   | Bolt M6 x 10   |     |
| 14   | 5260600     | 1   | Nut M6 Class 10  |     |
| 19   | 1001211794  | 3   | Mount, Isolator  |     |
| 20   | 1001227769  | 1   | Plate  |     |
| 21   | 1001213810  | 1   | Pump Coupling Kit  |     |
| 21   | 70006134    | 1   | Coupling   |     |
| 21   | 70006135    | 1   | Housing  |     |
| 21   | 70006136    | 1   | Hardware Kit   |     |
| 22   | 1001216065  | 1   | Ford Engine Assembly (See Items 101-126 for Breakdown)     |     |
| 24   | 1001216768  | 1   | Bracket  |     |
| 25   | 1001216769  | 1   | Bracket  |     |
| 28   | 1001149160  | 2   | Nut, Tinnerman M8  |     |
|      | 1001216065  | Ref | FORD ENGINE PREP ASSEMBLY - BRACKETS/EXHAUST MANIFOLD      | I   |
| 101  | 0700816     | 4   | Bolt M8 x 40   |     |
| 102  | 0700818     | 1   | Bolt M8 x 50   |     |
| 103  | 0701014     | 2   | Bolt M10 x 30  |     |
| 104  | 0710827     | 1   | Bolt M8 x 100 Grade 10.9                                   |     |
| 105  | 0711216     | 2   | Bolt M12 x 40  |     |
| 106  | 0760610     | 3   | Bolt M6 x 20   |     |
| 107  | 0760615     | 4   | Bolt M6 x 35   |     |
| 108  | 0760817     | 1   | Bolt M8 x 45   |     |
| 109  | 3290601     | 1   | Nut M6   |     |
| 110  | 4811700     | 8   | Washer M6  |     |
| 111  | 4811900     | 1   | Washer M8  |     |
| 112  | 4811902     | 4   | Washer M8  |     |
| 113  | 4812000     | 1   | Washer M10   |     |
| 114  | 4812100     | 2   | Washer M12   |     |
| 115  | 5250605     | 2   | Bolt M6 x 10   |     |
| 116  | 5260600     | 2   | Nut M6 Class 10  |     |
| 117  | 1001210448  | 1   | Engine, Ford 2.5L (See Seperate Breakdown in this Section) |     |
| 118  | 1001211794  | 2   | Mount  |     |
| 119  | 1001214827  | 1   | Manifold, Exhaust  |     |
| 120  | 1001215384  | 1   | Bracket  |     |
| 121  | 1001216071  | 1   | Bracket  |     |
| 122  | 1001216144  | 1   | Support, Muffler   |     |
| 123  | 1001227772  | 1   | Mount, Vaporizer   |     |
| 124  | 0100011     | AR  | Compound, Locking  |     |
| 125  | 1001221545  | 1   | Plate  |     |
| 126  | 1001222641  | 6   | Cap  |     |

# SECTION 3 - ENGINE

## FIGURE 3-26. FORD ENGINE BRACKETS AND EXHAUST MANIFOLD INSTALLATION



ART\_1001216065

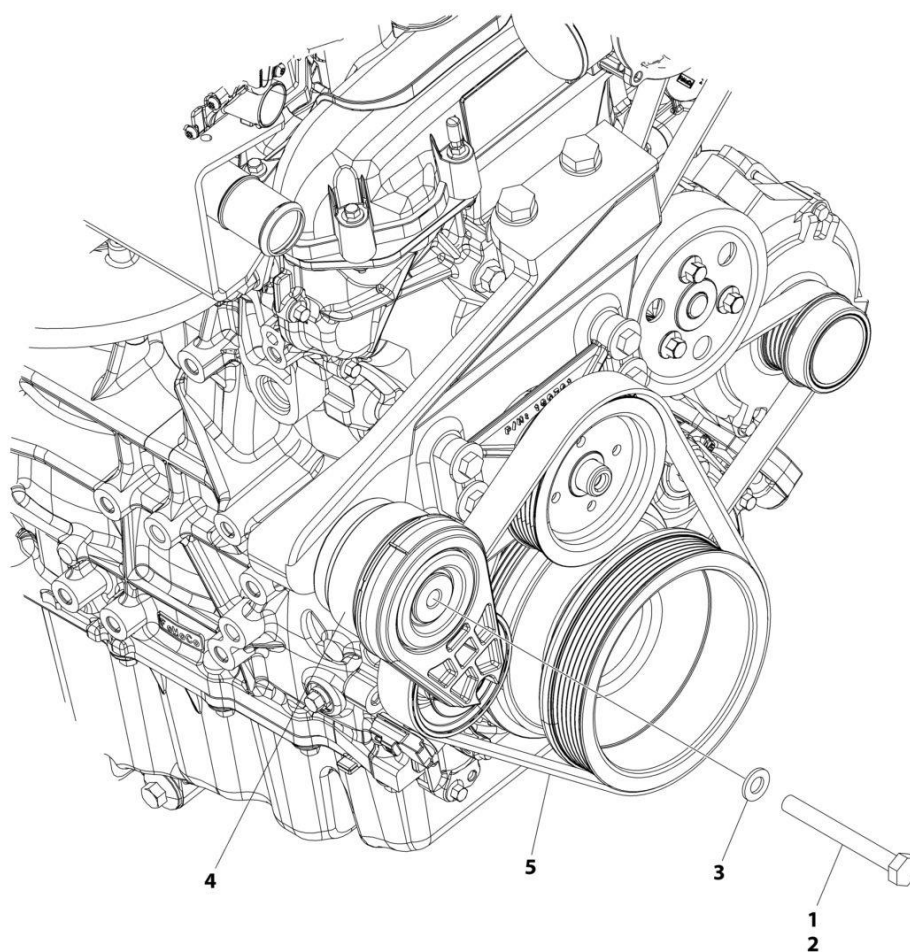
## SECTION 3 - ENGINE

**FIGURE 3-26. FORD ENGINE BRACKETS AND EXHAUST MANIFOLD INSTALLATION**

| ITEM | PART NUMBER | QTY | DESCRIPTION  | REV |
|------|-------------|-----|--|-----|
|      | 1001216065  | Ref | FORD ENGINE ASSEMBLY - BRACKETS/EXHAUST MANIFOLD           | K   |
| 1    | 0700816     | 4   | Bolt M8 x 40   |     |
| 2    | 0700818     | 1   | Bolt M8 x 50   |     |
| 3    | 0701014     | 2   | Bolt M10 x 30  |     |
| 4    | 0710827     | 1   | Bolt M8 x 100 Grade 10.9                                   |     |
| 5    | 0711216     | 2   | Bolt M12 x 40  |     |
| 6    | 0760610     | 3   | Bolt M6 x 20   |     |
| 7    | 0760615     | 4   | Bolt M6 x 35   |     |
| 8    | 0760817     | 1   | Bolt M8 x 45   |     |
| 9    | 3290601     | 1   | Nut M6   |     |
| 10   | 4811700     | 8   | Washer M6  |     |
| 11   | 4811900     | 1   | Washer M8  |     |
| 12   | 4811902     | 4   | Washer M8  |     |
| 13   | 4812000     | 1   | Washer M10   |     |
| 14   | 4812100     | 2   | Washer M12   |     |
| 15   | 5250605     | 2   | Bolt M6 x 10   |     |
| 16   | 5260600     | 2   | Nut M6 Class 10  |     |
| 17   | 1001210448  | 1   | Engine, Ford 2.5L (See Separate Breakdown in this Section) |     |
| 18   | 1001211794  | 2   | Mount  |     |
| 19   | 1001214827  | 1   | Manifold, Exhaust  |     |
| 20   | 1001215384  | 1   | Bracket  |     |
| 21   | 1001216071  | 1   | Bracket  |     |
| 22   | 1001216144  | 1   | Support, Muffler   |     |
| 23   | 1001227772  | 1   | Mount, Vaporizer   |     |
| 24   | 0100011     | AR  | Compound, Locking  |     |
| 25   | 1001221545  | 1   | Plate  |     |
| 26   | 1001222641  | 6   | Cap  |     |

## SECTION 3 - ENGINE

FIGURE 3-27. FORD ENGINE DRIVE BELT INSTALLATION (MACHINES WITHOUT GENERATOR)



ART\_1001220404

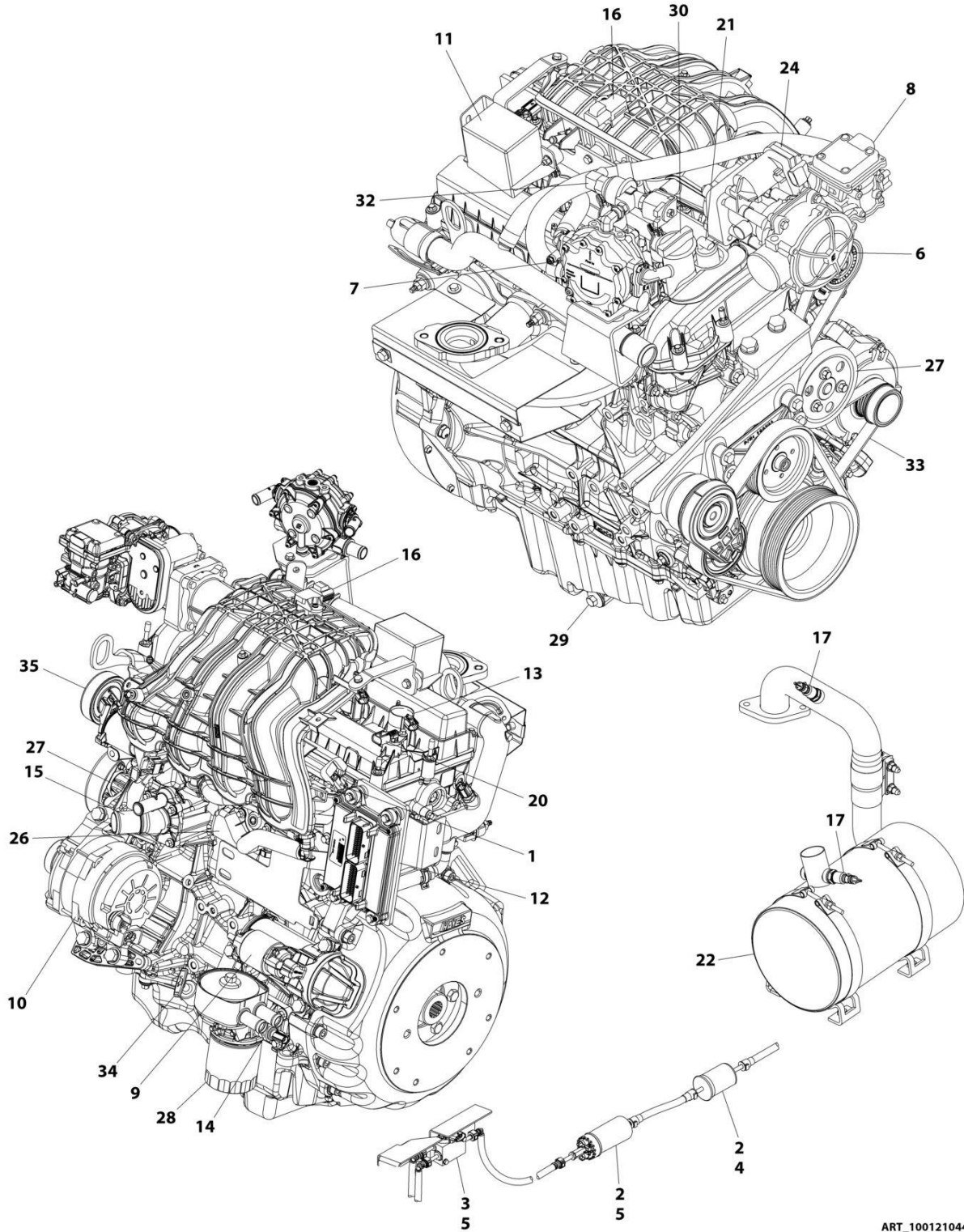
## SECTION 3 - ENGINE

**FIGURE 3-27. FORD ENGINE DRIVE BELT INSTALLATION (MACHINES WITHOUT GENERATOR)**

| ITEM | PART NUMBER | QTY | DESCRIPTION             | REV |
|------|-------------|-----|-------------------------|-----|
|      | 1001220404  | Ref | DRIVE BELT INSTALLATION | C   |
| 1    | 0100011     | AR  | Compound, Locking       |     |
| 2    | 0701026     | 1   | Bolt M10 x 90           |     |
| 3    | 4812002     | 1   | Washer M10              |     |
| 4    | 1001216300  | 1   | Pulley                  |     |
| 5    | 1001216619  | 1   | V-Belt                  |     |

# SECTION 3 - ENGINE

## FIGURE 3-28. FORD ENGINE COMPONENTS



ART\_1001210448

## SECTION 3 - ENGINE

### FIGURE 3-28. FORD ENGINE COMPONENTS

| ITEM | PART NUMBER | QTY | DESCRIPTION  | REV |
|------|-------------|-----|--|-----|
|      | 1001210448  | Ref | FORD ENGINE COMPONENTS   | E   |
| 1    | 70006145    | 4   | Injector, Fuel   |     |
| 1    | 70006147    | 1   | Rail, Fuel   |     |
| 2    | 70006150    | 1   | Pump, Fuel   |     |
| 2    | 70006154    | 1   | Fitting M10  |     |
| 3    | 70006151    | 1   | Block, Fuel  |     |
| 3    | 70006152    | 2   | Fitting SAE6   |     |
| 3    | 70006153    | 1   | Fitting SAE3   |     |
| 3    | 70006189    | 1   | Harness, Fuel Block  |     |
| 4    | 70006155    | 1   | Filter, Fuel   |     |
| 5    | 7022162     | 8   | Clamp  |     |
| 5    | 70006157    | 8   | Clip, Fuel Quick Disconnect  |     |
| 6    | 70006158    | 1   | Mixer, LP  |     |
| 6    | 70006168    | 1   | Mixer Diaphragm Replacement Kit  |     |
| 6    | 70006159    | 1   | Adapter, Mixer to Governor   |     |
| 6    | 70006160    | 1   | O-Ring, Mixer to Adapter   |     |
| 6    | 70006161    | 1   | Seal, Mixer to Adapter   |     |
| 7    | 70006162    | 1   | Regulator, LP Vapor  |     |
| 7    | 70006166    | 2   | Fitting  |     |
| 7    | 70006167    | 1   | Fitting, Straight  |     |
| 7    | 70006165    | 2   | Isolator, Rubber   |     |
| 8    | 70006163    | 1   | Regulator, Direct Electronic Pressure                                  |     |
| 8    | 70006164    | 1   | Adapter, Fitting 90  |     |
| 9    | 70006169    | 1   | Starter  |     |
| 9    | 70006233    | 1   | Harness, Alternator/Starter  |     |
| 10   | 70006170    | 1   | Alternator   |     |
| 11   | 70006173    | 1   | Cover, Relay Box   |     |
| 11   | 70006171    | 2   | Relay (Fuel Pump & Power)  |     |
| 11   | 70006172    | 1   | Relay (Starter)  |     |
| 11   | 70006175    | 1   | Fuse - 20Amp (Starter)   |     |
| 11   | 70006174    | 1   | Decal - Relay Box Cover  |     |
| 11   | 70006188    | 1   | Harness, Engine  |     |
| 11   | 70006165    | 2   | Isolator, Rubber   |     |
| 12   | 70006176    | 1   | Module - Engine Control Unit (ECU/GCP)                                 |     |
| 12   | 70006191    | 1   | Software & Diagnostic Cable  |     |
| 13   | 70006177    | 4   | Coil and Boot Assembly   |     |
| 13   | 70006178    | 4   | Plug, Spark  |     |
| 14   | 70006179    | 1   | Switch, Oil Pressure   |     |
| 15   | 70006180    | 1   | Sensor, Knock  |     |
| 16   | 70006181    | 1   | Sensor, TMAP   |     |
| 17   | 70006182    | 2   | Sensor, O2   |     |
| 18   | 70006183    | 1   | Sensor, Coolant Temperature (Not Shown - Located Rear of Engine Block) |     |
| 19   | 70006184    | 1   | Sensor, Crank Position (Not Shown - Located at Front RH Side of Block) |     |
| 20   | 70006185    | 1   | Sensor, Cam Position   |     |
| 21   | 70006186    | 1   | Solenoid, Timing   |     |
| 21   | 70006187    | 1   | Grommet, Rubber  |     |
| 22   | 70006194    | 1   | Muffler  |     |
| 22   | 70006195    | 1   | Plug (Located at Muffler Outlet)                                       |     |

## SECTION 3 - ENGINE

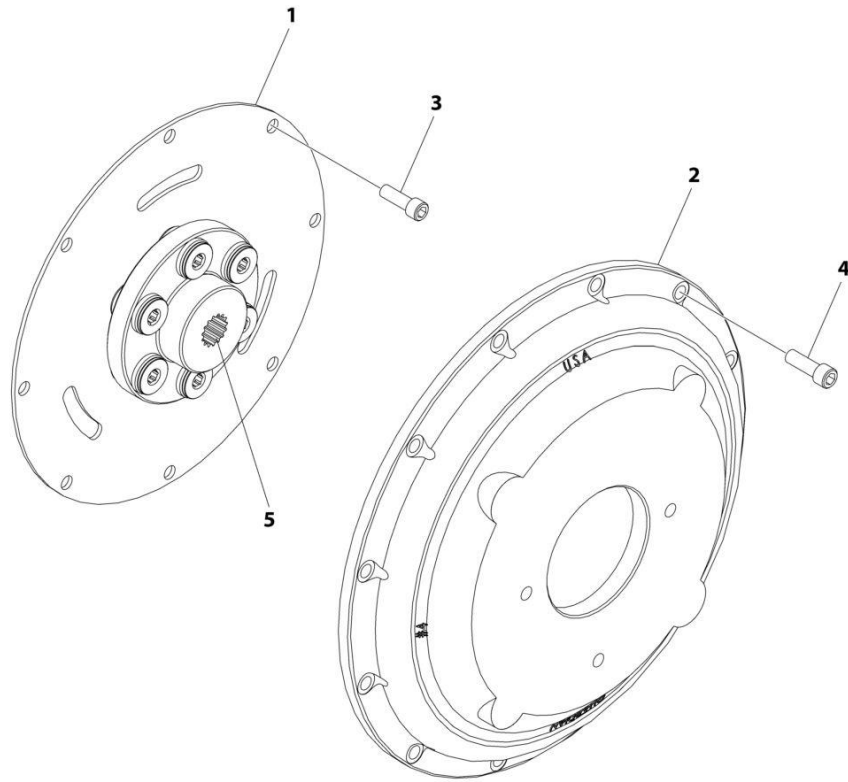
| ITEM | PART NUMBER | QTY | DESCRIPTION  | REV |
|------|-------------|-----|--|-----|
| 23   |             | Ref | Gasket Options (Not Shown)   |     |
| 23   | 70006196    | 1   | Gasket, Exhaust Manifold to Head                                   |     |
| 23   | 70006197    | 1   | Gasket, Exhaust Manifold Outlet                                    |     |
| 23   | 70006200    | 1   | Gasket, Intake Manifold to Head                                    |     |
| 23   | 70006219    | 1   | Gasket Set - Camshaft Cover  |     |
| 23   | 70006225    | 1   | Gasket, Cylinder Head  |     |
| 24   | 70006198    | 1   | Governor   |     |
| 24   | 7027404     | 1   | Gasket, Governor Actuator  |     |
| 24   | 70006199    | 1   | Gasket, Governor to Intake Manifold Adapter                        |     |
| 25   | 70006203    | 1   | Flywheel (Not Shown)   |     |
| 26   | 70006205    | 1   | Thermostat (Includes Housing)                                      |     |
| 26   | 70006206    | 1   | Gasket, Water Inlet  |     |
| 27   | 70006207    | 1   | Pump, Water  |     |
| 27   | 70006208    | 1   | O-Ring, Water Pump   |     |
| 27   | See Note    | NSS | Pulley, Water Pump (Note: Not Available for Purchase at This Time) |     |
| 28   | 70006213    | 1   | Filter, Oil  |     |
| 29   | 70006215    | 1   | Plug, Oil Drain  |     |
| 29   | 70006217    | 1   | Gasket, Oil Drain Plug   |     |
| 30   | 70006221    | 1   | Cap, Oil Fill  |     |
| 31   | 70006232    | 1   | Sensor, Crank (Not Shown)  |     |
| 32   | 70006235    | 1   | Valve, Lock-Off (Includes Filter)                                  |     |
| 33   | 70006202    | 1   | Belt   |     |
| 34   | 70006236    | 1   | Dipstick   |     |
| 35   | 70007108    | 1   | Belt Tensioner   |     |





# SECTION 3 - ENGINE

## FIGURE 3-29. PUMP COUPLING KIT (DEUTZ ENGINES)



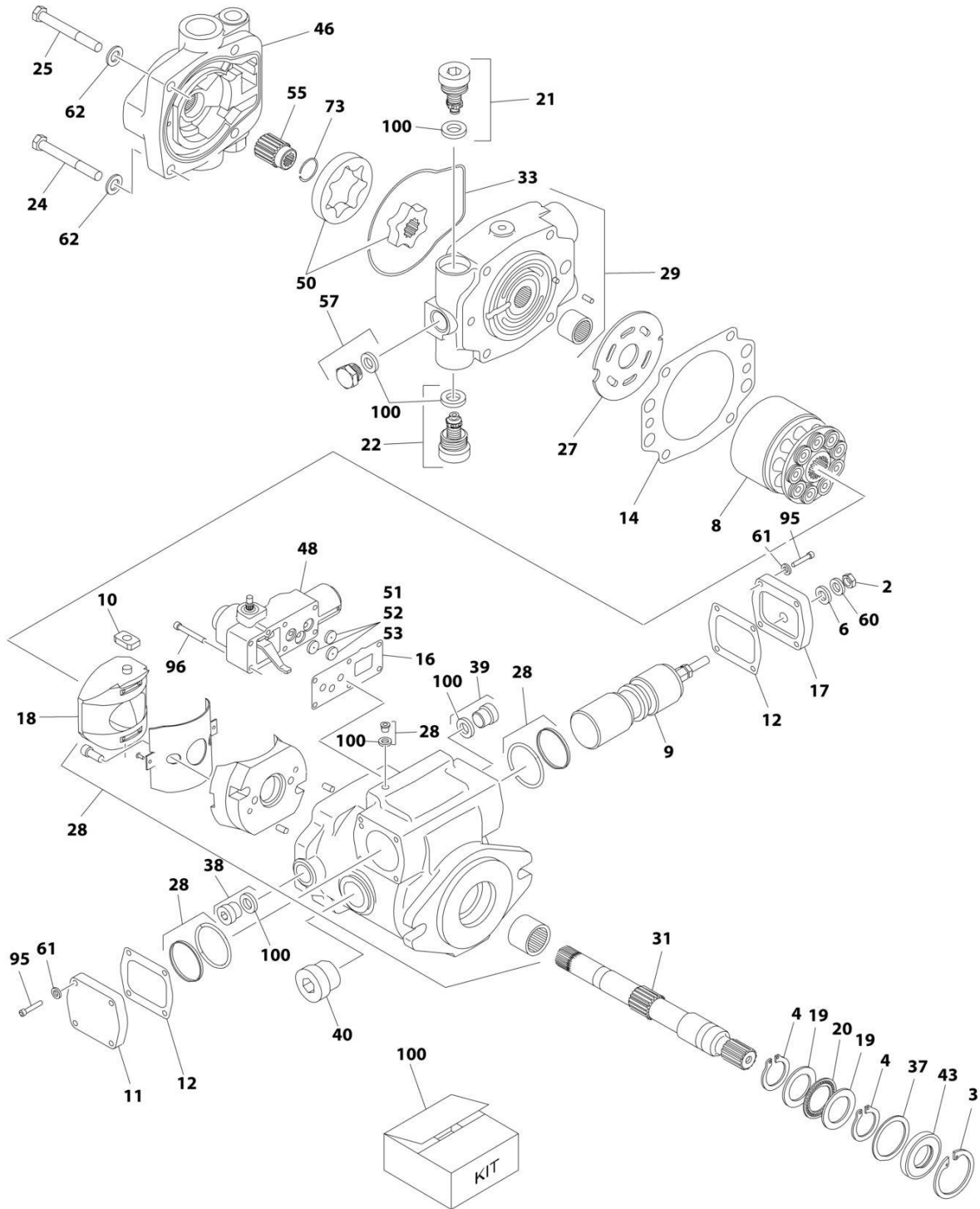
ART\_1001153282

**SECTION 3 - ENGINE****FIGURE 3-29. PUMP COUPLING KIT (DEUTZ ENGINES)**

| <b>ITEM</b> | <b>PART NUMBER</b> | <b>QTY</b> | <b>DESCRIPTION</b>  | <b>REV</b> |
|-------------|--------------------|------------|---|------------|
|             | 1001153282         | Ref        | PUMP COUPLING KIT   | C          |
| 1           | 70004183           | 1          | Coupling Guardian   |            |
| 2           | See Note           | NSS        | Plate, Pump Adapter (Note: Use p/n 1001153282)  |            |
| 3           | See Note           | 8          | Capscrew M10 x 20 Grade 10.9 (Note: Not Available - Purchase Locally or Purchase Kit) |            |
| 4           | See Note           | 12         | Capscrew M10 x 25 Grade 10.9 (Note: Not Available - Purchase Locally or Purchase Kit) |            |
| 5           | 3020021            | AR         | Grease, Coupling  |            |

# SECTION 3 - ENGINE

## FIGURE 3-30. HYDROSTATIC PUMP ASSEMBLY



ART\_1001225745

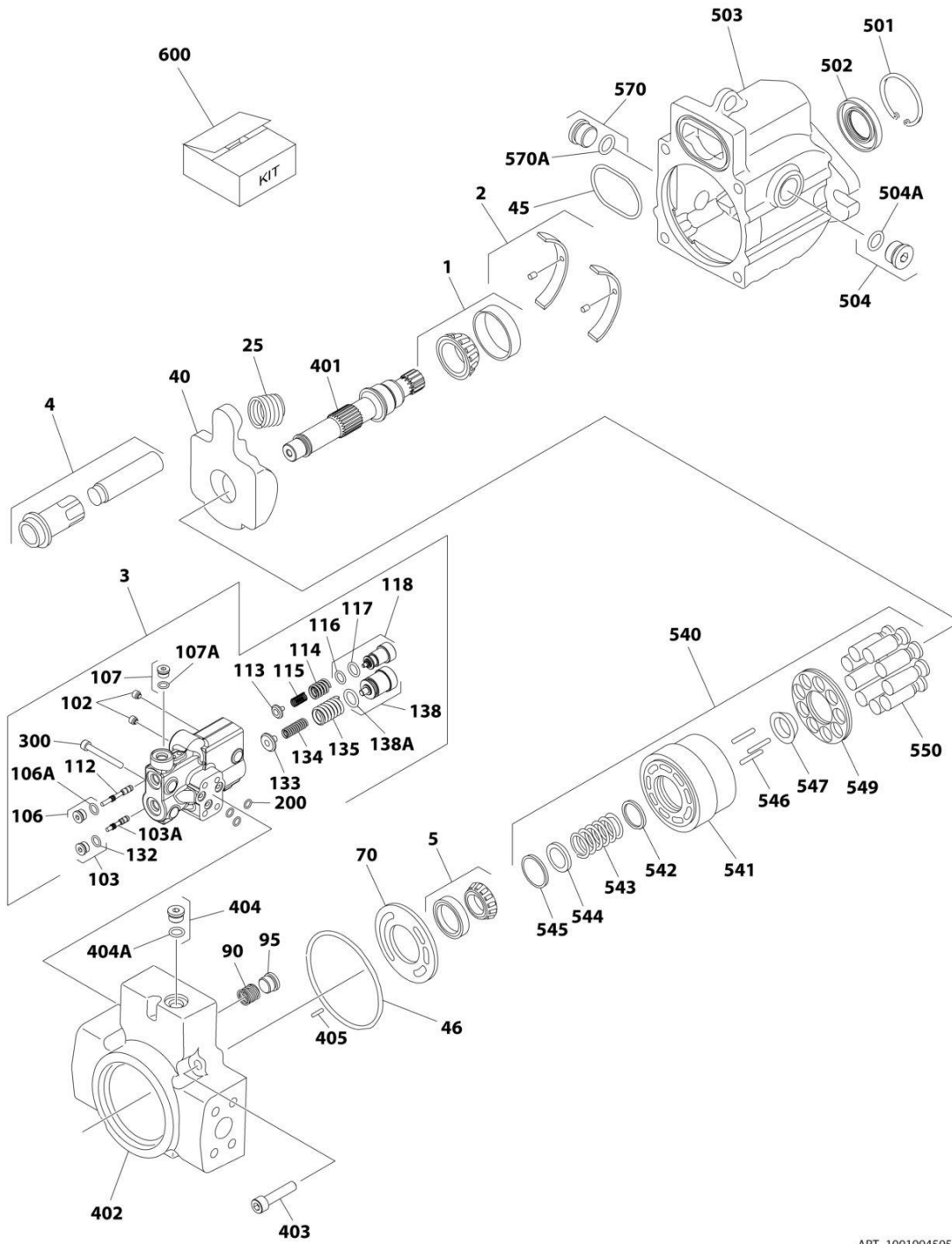
## SECTION 3 - ENGINE

**FIGURE 3-30. HYDROSTATIC PUMP ASSEMBLY**

| ITEM | PART NUMBER | QTY | DESCRIPTION  | REV |
|------|-------------|-----|--|-----|
|      | 1001225745  | Ref | HYDROSTATIC PUMP ASSEMBLY  | A   |
| 2    | 70004329    | 1   | Nut  |     |
| 3    | See Note    | NSS | Ring, Retaining (Note: Use Item 100)   |     |
| 4    | See Note    | NSS | Ring, Retaining (Note: Use Item 100)   |     |
| 6    | See Note    | NSS | Washer, Seal (Note: Use Item 100)  |     |
| 8    | 70004331    | 1   | Cylinder Block Assembly  |     |
| 9    | 70004332    | 1   | Servo Piston Assembly  |     |
| 10   | 70004333    | 1   | Follower, Servo Piston   |     |
| 11   | 70005458    | 1   | Cover  |     |
| 12   | See Note    | NSS | Gasket, Cover (Note: Use Item 100)   |     |
| 14   | See Note    | NSS | Gasket, Housing (Note: Use Item 100)   |     |
| 16   | See Note    | NSS | Gasket, Control Housing (Note: Use Item 100)   |     |
| 17   | 70005459    | 1   | Cover  |     |
| 18   | 70004336    | 1   | Camplate Assembly  |     |
| 19   | 7004907     | 2   | Race, Thrust   |     |
| 20   | 7004908     | 1   | Bearing, Thrust  |     |
| 21   | 70004337    | 1   | Relief Valve Assembly  |     |
| 22   | 70004337    | 1   | Relief Valve Assembly  |     |
| 24   | 70004338    | 2   | Capscrew   |     |
| 25   | 70004338    | 2   | Capscrew   |     |
| 27   | 70004340    | 1   | Plate, Valve   |     |
| 28   | See Note    | NSS | Housing (Note: Not Available - Purchase Assembly)  |     |
| 29   | 70005460    | 1   | End Cover Assembly   |     |
| 31   | 70004342    | 1   | Shaft, Drive   |     |
| 33   | See Note    | NSS | O-Ring (Note: Use Item 100)  |     |
| 37   | 7004906     | 1   | Washer   |     |
| 38   | 70005461    | 1   | Plug   |     |
| 39   | 70005461    | 1   | Plug   |     |
| 40   | 70005462    | 1   | Plug   |     |
| 43   | See Note    | NSS | Seal, Shaft (Note: Use Item 100)   |     |
| 46   | 70004343    | 1   | Adapter, Charge Pump   |     |
| 48   | 70004344    | 1   | Servo Control Assembly   |     |
| 50   | 70004345    | 1   | Gerotor  |     |
| 51   | 70004346    | 1   | Orifice  |     |
| 52   | 70004346    | 1   | Orifice  |     |
| 53   | 70004346    | 1   | Orifice  |     |
| 55   | 70004347    | 1   | Coupler  |     |
| 57   | 70005463    | 1   | Plug   |     |
| 60   | 70004348    | 1   | Washer   |     |
| 61   | 70004349    | 8   | Washer   |     |
| 62   | 70004350    | 4   | Washer   |     |
| 73   | 70004351    | 1   | Ring, Retaining  |     |
| 95   | 70005464    | 8   | Capscrew   |     |
| 96   | 70005465    | 6   | Capscrew   |     |
| 100  | 70004352    | 1   | Seal Kit - Pump (Includes Items 3, 4, 6, 12, 14, 16, 33 & 43 and Valve and Plug O-Rings and Seals) |     |

# SECTION 3 - ENGINE

## FIGURE 3-31. VARIABLE PUMP ASSEMBLY



ART\_1001094595

## SECTION 3 - ENGINE

### FIGURE 3-31. VARIABLE PUMP ASSEMBLY

| ITEM | PART NUMBER | QTY | DESCRIPTION  | REV |
|------|-------------|-----|--|-----|
|      | 1001094595  | Ref | VARIABLE PUMP ASSEMBLY                               | A   |
| 1    | 7023947     | 1   | Bearing, Front (Includes Cup and Cone)               |     |
| 2    | 7023948     | 1   | Bearings, Swash Plate (Includes Both Sides and Pins) |     |
| 3    | 7023956     | 1   | Control Valve Assembly (Includes Items 102-300)      |     |
| 4    | 7023949     | 1   | Servo Piston Assembly                                |     |
| 5    | 7023950     | 1   | Bearing, Rear (Includes Cup and Cone)                |     |
| 25   | 7023951     | 1   | Spring   |     |
| 40   | 7023952     | 1   | Swash Plate  |     |
| 45   | See Note    | NSS | O-Ring (Note: Use Item 600)                          |     |
| 46   | See Note    | NSS | O-Ring (Note: Use Item 600)                          |     |
| 70   | 70001954    | 1   | Plate, Valve   |     |
| 90   | 70001955    | 1   | Spring, Check Valve                                  |     |
| 95   | 70001956    | 1   | Poppet, Check Valve                                  |     |
| 102  | See Note    | NSS | Setscrew (Note: Use Item 3)                          |     |
| 103  | See Note    | NSS | Plug (Note: Use Item 3)                              |     |
| 103A | See Note    | NSS | O-Ring (Note: Use Item 600)                          |     |
| 106  | See Note    | NSS | Plug (Note: Use Item 3)                              |     |
| 106A | See Note    | NSS | O-Ring (Note: Use Item 600)                          |     |
| 107  | See Note    | NSS | Plug (Note: Use Item 3)                              |     |
| 107A | See Note    | NSS | O-Ring (Note: Use Item 600)                          |     |
| 112  | See Note    | NSS | Spool, Control (Note: Use Item 3)                    |     |
| 113  | See Note    | NSS | Guide, Spring (Note: Use Item 3)                     |     |
| 114  | See Note    | NSS | Spring (Note: Use Item 3)                            |     |
| 115  | See Note    | NSS | Spring (Note: Use Item 3)                            |     |
| 116  | See Note    | NSS | O-Ring (Note: Use Item 600)                          |     |
| 117  | See Note    | NSS | Ring, Back-up (Note: Use Item 600)                   |     |
| 118  | See Note    | NSS | Plug, Adjusting (Note: Use Item 3)                   |     |
| 132  | See Note    | NSS | Spool, Control (Note: Use Item 3)                    |     |
| 133  | See Note    | NSS | Guide, Spring (Note: Use Item 3)                     |     |
| 134  | See Note    | NSS | Spring (Note: Use Item 3)                            |     |
| 135  | See Note    | NSS | Spring (Note: Use Item 3)                            |     |
| 138  | See Note    | NSS | Plug, PC Adjusting (Note: Use Item 3)                |     |
| 138A | See Note    | NSS | O-Ring (Note: Use Item 600)                          |     |
| 200  | See Note    | NSS | Ring, Seal (Note: Use Item 600)                      |     |
| 300  | 7023957     | 4   | Screw  |     |
| 401  | 7023958     | 1   | Shaft  |     |
| 402  | 70001957    | 1   | Cap, End   |     |
| 403  | 7023960     | 4   | Screw  |     |
| 404  | 7022318     | 1   | Plug   |     |
| 404A | See Note    | NSS | O-Ring (Note: Use Item 600)                          |     |
| 405  | 7023961     | 1   | Pin  |     |
| 501  | 7023962     | 1   | Ring, Retaining                                      |     |
| 502  | See Note    | NSS | Seal, Lip (Note: Use Item 600)                       |     |
| 503  | See Note    | NSS | Housing (Note: Not Available - Purchase Assembly)    |     |
| 504  | 7023964     | 1   | Plug   |     |
| 504A | 7007415     | 1   | O-Ring   |     |
| 540  | 7023965     | 1   | Cylinder Block Assembly                              |     |
| 541  | See Note    | NSS | Block, Cylinder (Note: Use Item 540)                 |     |
| 542  | 7024868     | 1   | Washer   |     |
| 543  | 7024867     | 1   | Spring   |     |

## SECTION 3 - ENGINE

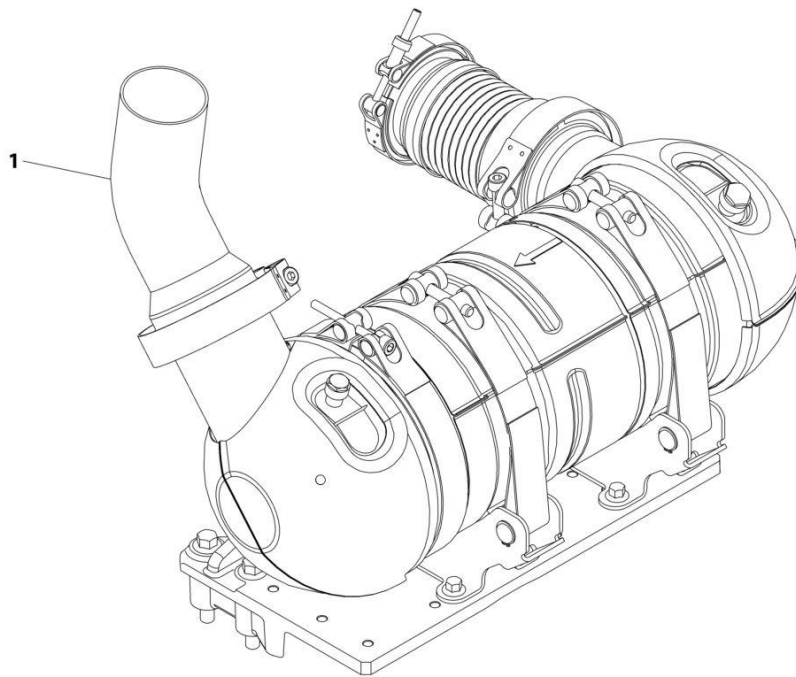
| ITEM | PART NUMBER | QTY | DESCRIPTION  | REV |
|------|-------------|-----|--|-----|
| 544  | 7022314     | 1   | Retainer, Spring   |     |
| 545  | 7022311     | 1   | Ring, Retaining  |     |
| 546  | 7021275     | 3   | Pin, Slipper   |     |
| 547  | 7024864     | 1   | Guide, Slipper   |     |
| 549  | 7024866     | 1   | Retainer, Slipper  |     |
| 550  | 7023966     | 9   | Piston Assembly  |     |
| 570  | 7023964     | 1   | Plug   |     |
| 570A | 7007415     | 1   | O-Ring   |     |
| 600  | 7023967     | 1   | Seal Kit - Complete (Includes Items 45 , 46, 103A, 106A, 107A, 118, 138A, 200, 444A & 502) |     |





## SECTION 3 - ENGINE

FIGURE 3-32. EXHAUST PIPE INSTALLATION - DEUTZ TD2.9L4 ENGINES



ART\_1001216221

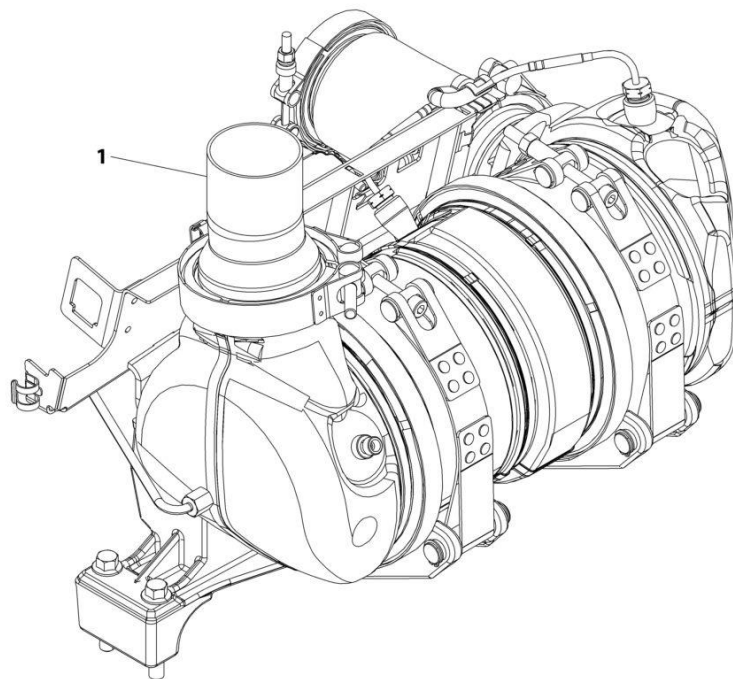
## SECTION 3 - ENGINE

**FIGURE 3-32. EXHAUST PIPE INSTALLATION - DEUTZ TD2.9L4 ENGINES**

| ITEM | PART NUMBER              | QTY      | DESCRIPTION                                | REV |
|------|--------------------------|----------|--|-----|
| 1    | 1001216221<br>1001158145 | Ref<br>1 | EXHAUST PIPE INSTALLATION<br>Pipe, Exhaust | A   |

## SECTION 3 - ENGINE

FIGURE 3-33. EXHAUST PIPE INSTALLATION - DEUTZ TD2.9L4 (STAGE V) ENGINES



ART\_1001236334

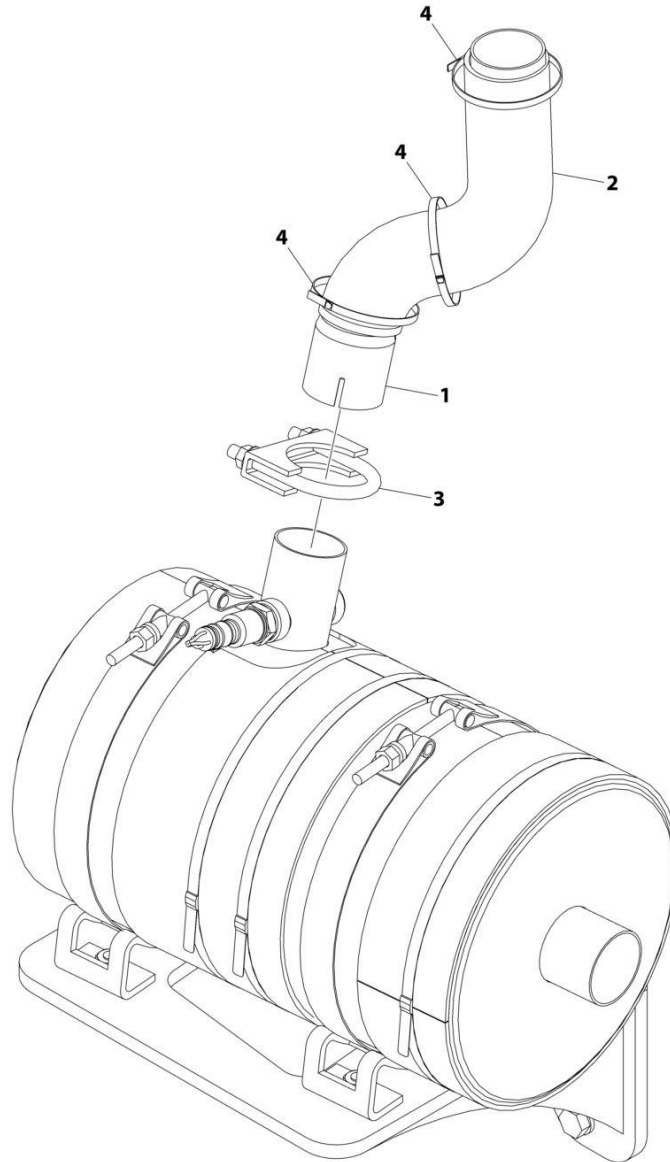
## SECTION 3 - ENGINE

**FIGURE 3-33. EXHAUST PIPE INSTALLATION - DEUTZ TD2.9L4 (STAGE V) ENGINES**

| ITEM | PART NUMBER | QTY | DESCRIPTION               | REV |
|------|-------------|-----|---------------------------|-----|
| 1    | 1001236334  | Ref | EXHAUST PIPE INSTALLATION | B   |
|      | 1001236335  | 1   | Pipe, Exhaust             |     |

## SECTION 3 - ENGINE

FIGURE 3-34. EXHAUST PIPE INSTALLATION - FORD DF 2.5L ENGINES



ART\_1001220142

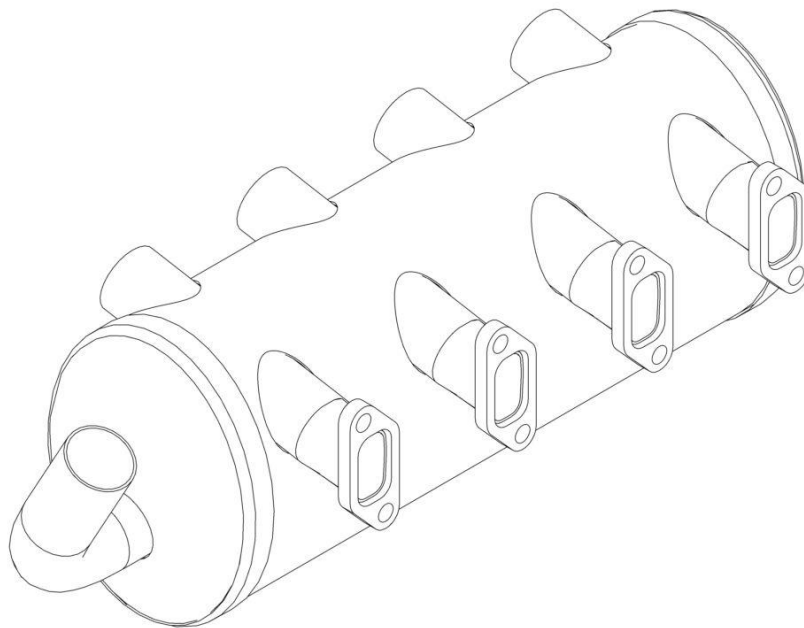
## SECTION 3 - ENGINE

### FIGURE 3-34. EXHAUST PIPE INSTALLATION - FORD DF 2.5L ENGINES

| ITEM | PART NUMBER | QTY | DESCRIPTION               | REV |
|------|-------------|-----|---------------------------|-----|
|      | 1001220142  | Ref | EXHAUST PIPE INSTALIATION | B   |
| 1    | 1001217350  | 1   | Tail Pipe                 |     |
| 2    | 1001218087  | 1   | Insulate                  |     |
| 3    | 1001221397  | 1   | Clamp                     |     |
| 4    | 1001100825  | 3   | Strap                     |     |

## SECTION 3 - ENGINE

FIGURE 3-35. SPARK ARRESTOR MUFFLER INSTALLATION - DEUTZ D2011 ENGINES



ART\_1001257283



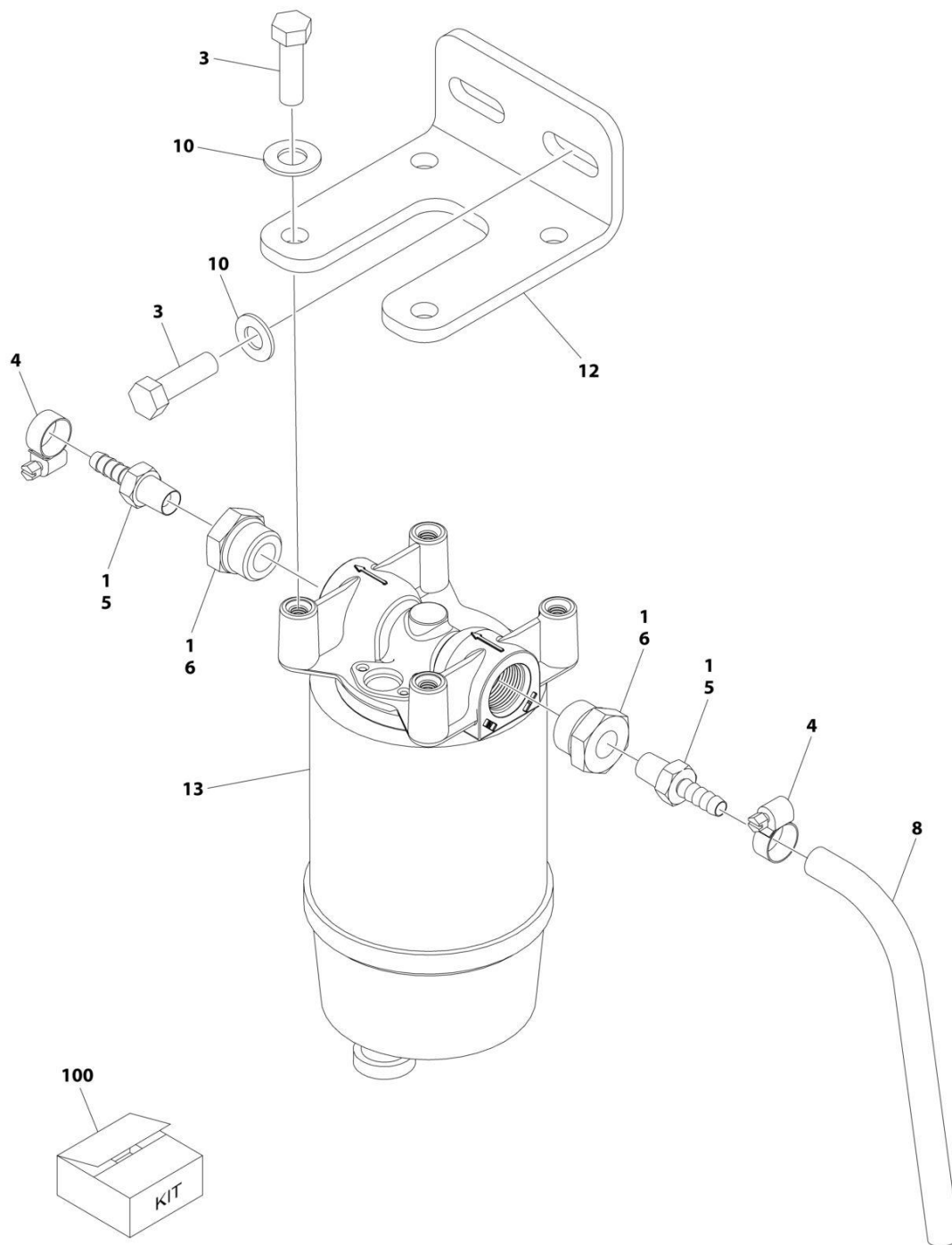
## SECTION 3 - ENGINE

**FIGURE 3-35. SPARK ARRESTOR MUFFLER INSTALLATION - DEUTZ D2011 ENGINES**

| ITEM | PART NUMBER            | QTY      | DESCRIPTION   | REV |
|------|------------------------|----------|---|-----|
|      | 1001257283<br>See Note | Ref<br>1 | MUFFLER INSTALLATION SPARK ARRESTOR<br>Muffler, (Note : Use P/N 1001257283) | A   |

# SECTION 3 - ENGINE

## FIGURE 3-36. FUEL-WATER SEPARATOR INSTALLATION - DEUTZ D2011



ART\_1001196428

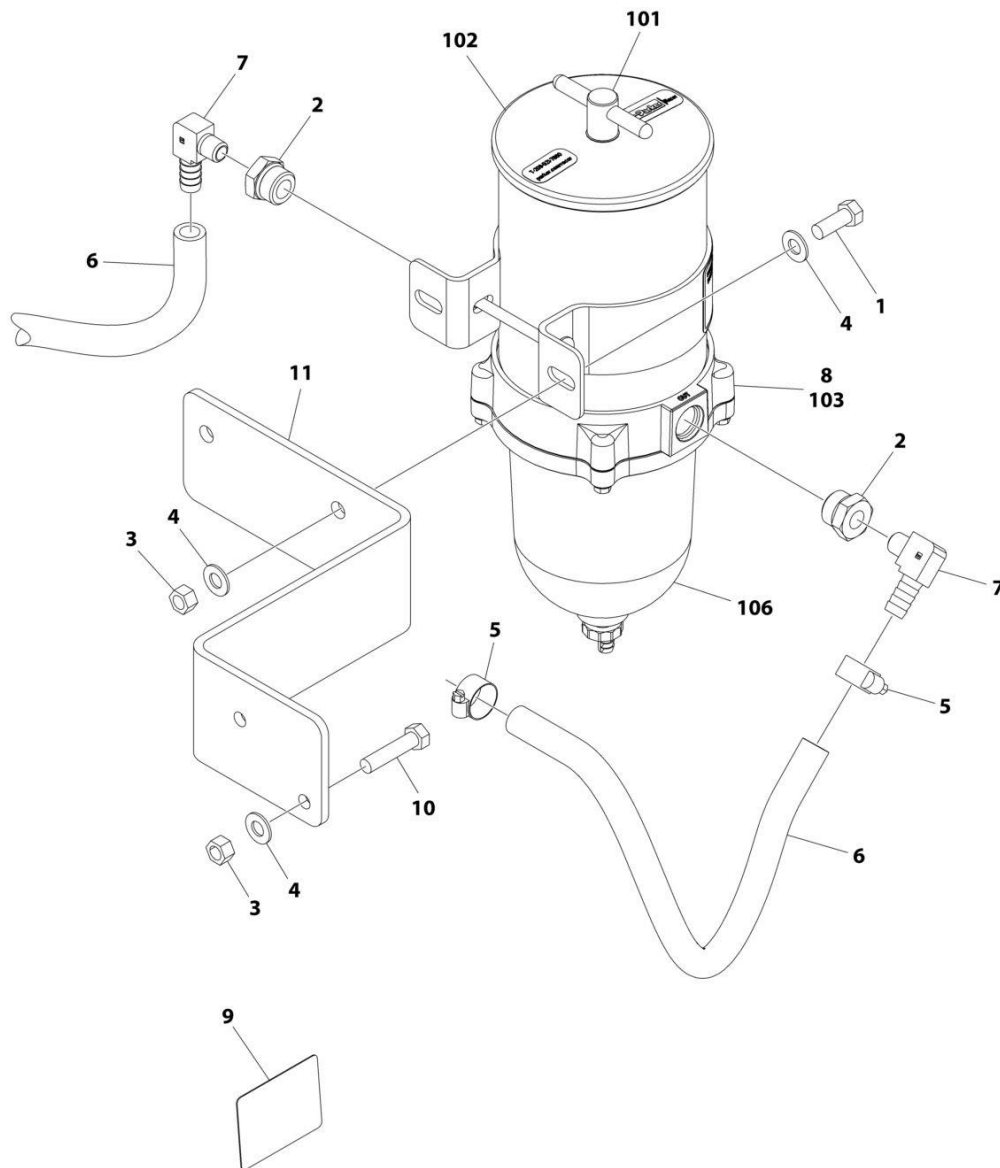
## SECTION 3 - ENGINE

**FIGURE 3-36. FUEL-WATER SEPARATOR INSTALLATION - DEUTZ D2011**

| ITEM | PART NUMBER | QTY            | DESCRIPTION  | REV |
|------|-------------|----------------|--|-----|
|      | 1001196428  | Ref            | FUEL-WATER SEPARATOR INSTALLATION - DEUTZ D2011 (OPTIONAL) | B   |
| 1    | 0100020     | AR             | Sealant  |     |
| 3    | 0641610     | 6              | Bolt 3/8 x 1-1/4   |     |
| 4    | 1320022     | 2              | Clamp  |     |
| 5    | 2180348     | 2              | Fitting, Straight  |     |
| 6    | 2220816     | 2              | Fitting, Straight  |     |
| 8    | 2720058     | 12 in/<br>31cm | Hose   |     |
| 10   | 4751600     | 6              | Washer 3/8   |     |
| 12   | 1001188884  | 1              | Bracket  |     |
| 13   | 1001188887  | 1              | Fuel/Water Separator Assembly                              |     |
| 13   | 1001202280  | 1              | Head   |     |
| 13   | 1001202281  | 1              | Element  |     |
| 100  | 1001204667  | 1              | Fuel/Water Separator Add-on Kit                            |     |

# SECTION 3 - ENGINE

## FIGURE 3-37. FUEL-WATER SEPARATOR INSTALLATION - DEUTZ TD2.9L4 (PCV 2007)



NOTE : LOCATED ON HOOD

ART\_1001226286\_C

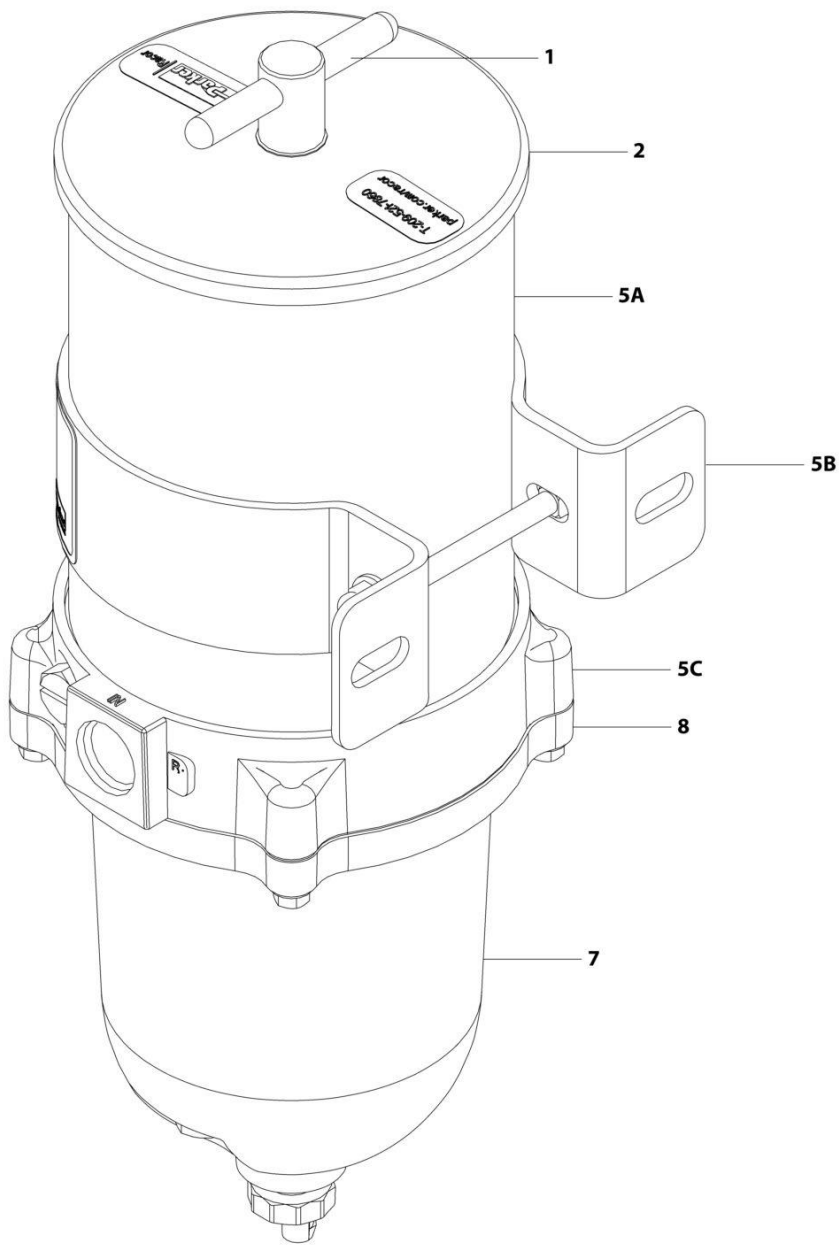
## SECTION 3 - ENGINE

**FIGURE 3-37. FUEL-WATER SEPARATOR INSTALLATION - DEUTZ TD2.9L4 (PCV 2007)**

| ITEM | PART NUMBER | QTY             | DESCRIPTION  | REV |
|------|-------------|-----------------|--|-----|
|      | 1001226286  | Ref             | FUEL FILTER INSTALLATION                               | C   |
| 1    | 0641608     | 2               | Bolt 3/8 x 1   |     |
| 2    | 2220816     | 2               | Fitting, Straight NPT                                  |     |
| 3    | 3311605     | 4               | Nut 3/8  |     |
| 4    | 4711600     | 8               | Washer 3/8   |     |
| 5    | 8405006     | 2               | Clamp  |     |
| 6    | 1001154405  | 13 ft/<br>3.96m | Hose   |     |
| 7    | 1001178797  | 2               | Fitting, 90  |     |
| 8    | 1001222817  | 1               | Fuel Filter Assembly (See Items 101-107 for Breakdown) |     |
| 9    | 1001226923  | 1               | Decal - Fuel Water Separator                           |     |
| 10   | 0641613     | 2               | Bolt 3/8 x 1-5/8                                       |     |
| 11   | 1001254657  | 1               | Bracket  |     |
|      | 1001222817  | Ref             | FUEL FILTER ASSEMBLY                                   |     |
| 101  | 70006403    | 1               | T-Handle Kit (Includes O-Ring)                         |     |
| 102  | 70006404    | 1               | Lid Kit (Includes Gasket)                              |     |
| 103  | 70006405    | 1               | Element  |     |
| 104  | 70006406    | 1               | Checkball & Gasket Kit (Not Shown)                     |     |
| 105  | 70006407    | 1               | Centrifuge and Baffle Kit (Not Shown)                  |     |
| 106  | 70006409    | 1               | Bowl Kit (Includes Gasket, O-Ring and Drain)           |     |
| 106  | 70006408    | 1               | Gasket, Bowl   |     |
| 107  | 70006410    | 1               | Bowl Ring Kit (Includes Gasket & Hardware) (Not Shown) |     |

# SECTION 3 - ENGINE

## FIGURE 3-38. FUEL FILTER ASSEMBLY (DEUTZ TD2.9L4 ENGINES)



ART\_1001222817

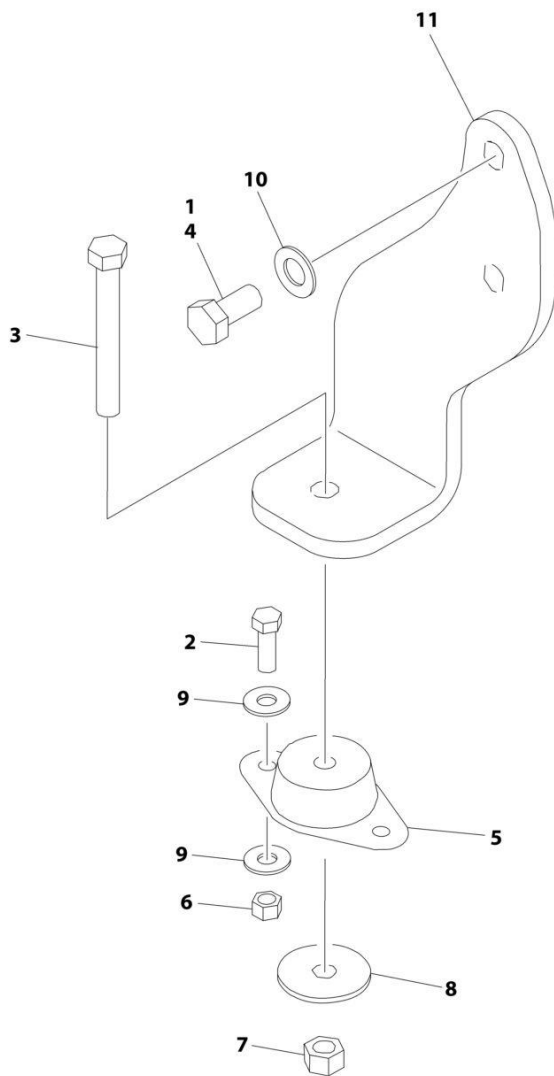
## SECTION 3 - ENGINE

**FIGURE 3-38. FUEL FILTER ASSEMBLY (DEUTZ TD2.9L4 ENGINES)**

| ITEM | PART NUMBER | QTY | DESCRIPTION   | REV |
|------|-------------|-----|---|-----|
|      | 1001222817  | Ref | FUEL FILTER ASSEMBLY  | A   |
| 1    | 70006403    | 1   | Handle Kit (Includes Handle, Handle O-Ring & Lid Gasket)  |     |
| 2    | 70006404    | 1   | Lid Kit (Includes Lid, Handle O-Ring & Lid Gasket)  |     |
| 3    | 70006405    | 1   | Element, Filter (Not Shown)   |     |
| 5A   | See Note    | NSS | Housing (Note: Use p/n 1001222817)  |     |
| 5B   | See Note    | NSS | Bracket (Note: Use p/n 1001222817)  |     |
| 5C   | See Note    | NSS | Tube, Return (Note: Use p/n 1001222817)   |     |
| 6    | 70006407    | 1   | Certrfuge & Baffle Kit (Not Shown - Located at Bottom of 5C) (Also Includes p/n 70006406 & Bowl Gasket) |     |
| 6    | 70006406    | 1   | Checkball & Gasket Kit (Not Shown - Located at Bottom of 5C)  |     |
| 7    | 70006409    | 1   | Bowl Kit (Includes Bowl Gasket, Plug with O-Ring & Drain)   |     |
| 7    | 70006408    | 1   | Gasket, Bowl  |     |
| 8    | 70006410    | 1   | Bowl Ring Kit (Includes Bowl Gasket & Bolts)  |     |

## SECTION 3 - ENGINE

FIGURE 3-39. RIGHT ENGINE SUPPORT INSTALLATION (DEUTZ D2011 ENGINES MACHINES WITHOUT GENERATORS)



ART\_1001151253



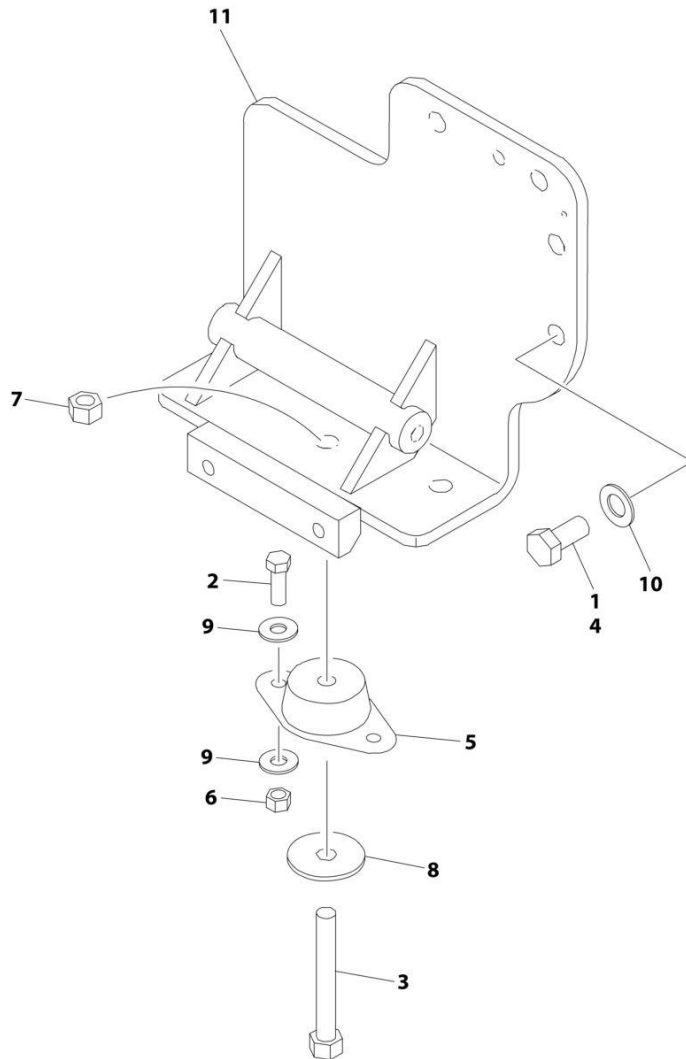
## SECTION 3 - ENGINE

**FIGURE 3-39. RIGHT ENGINE SUPPORT INSTALLATION (DEUTZ D2011 ENGINES MACHINES WITHOUT GENERATORS)**

| ITEM | PART NUMBER | QTY | DESCRIPTION                       | REV |
|------|-------------|-----|-----------------------------------|-----|
|      | 1001151253  | Ref | RIGHT ENGINE SUPPORT INSTALLATION | A   |
| 1    | 0100011     | AR  | Compound, Locking                 |     |
| 2    | 0641609     | 2   | Bolt 3/8 x 1-1/8                  |     |
| 3    | 0641820     | 1   | Bolt 1/2 x 2-1/2                  |     |
| 4    | 0711414     | 2   | Bolt M14 x 30 Grade 10.9          |     |
| 5    | 3200401     | 1   | Mount, Motor                      |     |
| 6    | 3311605     | 2   | Nut 3/8                           |     |
| 7    | 3311805     | 1   | Nut 1/2                           |     |
| 8    | 4740274     | 1   | Washer                            |     |
| 9    | 4751600     | 4   | Washer 3/8                        |     |
| 10   | 4812200     | 2   | Washer M14                        |     |
| 11   | 1001149703  | 1   | Support, Engine (Right Front)     |     |

# SECTION 3 - ENGINE

FIGURE 3-40. RIGHT ENGINE SUPPORT INSTALLATION (DEUTZ D2011 ENGINES MACHINES WITH GENERATORS)



ART\_1001151252

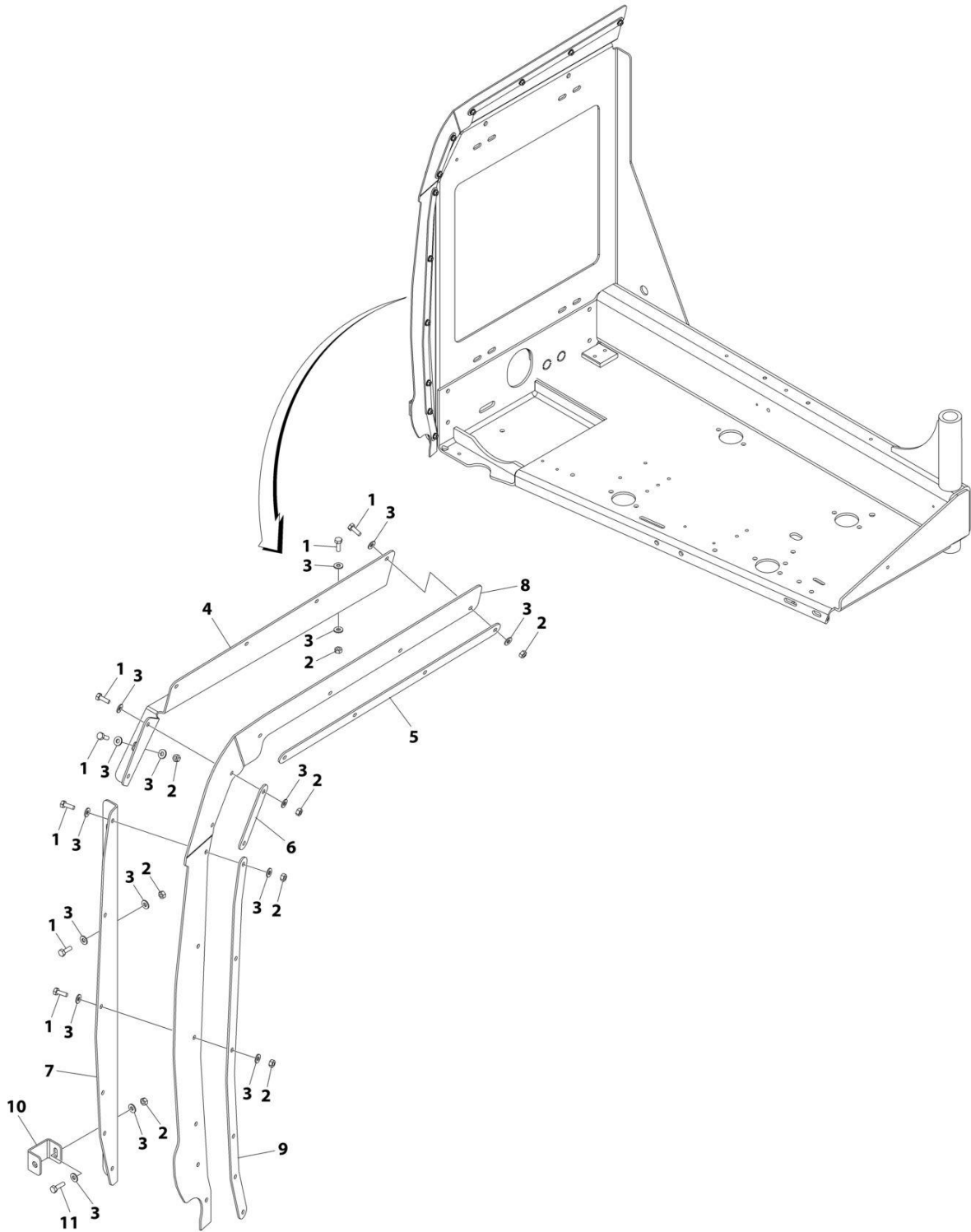
## SECTION 3 - ENGINE

**FIGURE 3-40. RIGHT ENGINE SUPPORT INSTALLATION (DEUTZ D2011 ENGINES MACHINES WITH GENERATORS)**

| ITEM | PART NUMBER | QTY | DESCRIPTION                       | REV |
|------|-------------|-----|-----------------------------------|-----|
|      | 1001151252  | Ref | RIGHT ENGINE SUPPORT INSTALLATION | B   |
| 1    | 0100011     | AR  | Compound, Locking                 |     |
| 2    | 0641609     | 2   | Bolt 3/8 x 1-1/8                  |     |
| 3    | 0641818     | 1   | Bolt 1/2 x 2-1/2                  |     |
| 4    | 0711414     | 3   | Bolt M14 x 30 Grade 10.9          |     |
| 5    | 3200401     | 1   | Mount, Motor                      |     |
| 6    | 3311605     | 2   | Nut 3/8                           |     |
| 7    | 3311805     | 1   | Nut 1/2                           |     |
| 8    | 4740274     | 1   | Washer                            |     |
| 9    | 4751600     | 4   | Washer 3/8                        |     |
| 10   | 4812200     | 3   | Washer M14                        |     |
| 11   | 1001150890  | 1   | Support, Engine (Right Front)     |     |

# SECTION 3 - ENGINE

FIGURE 3-41. ENGINE HOOD Baffle INSTALLATION - DEUTZ TD2.9L4 AND DEUTZ 2.9L4 (STAGE V) ENGINES WITH ABS HOODS



ART\_1001143484

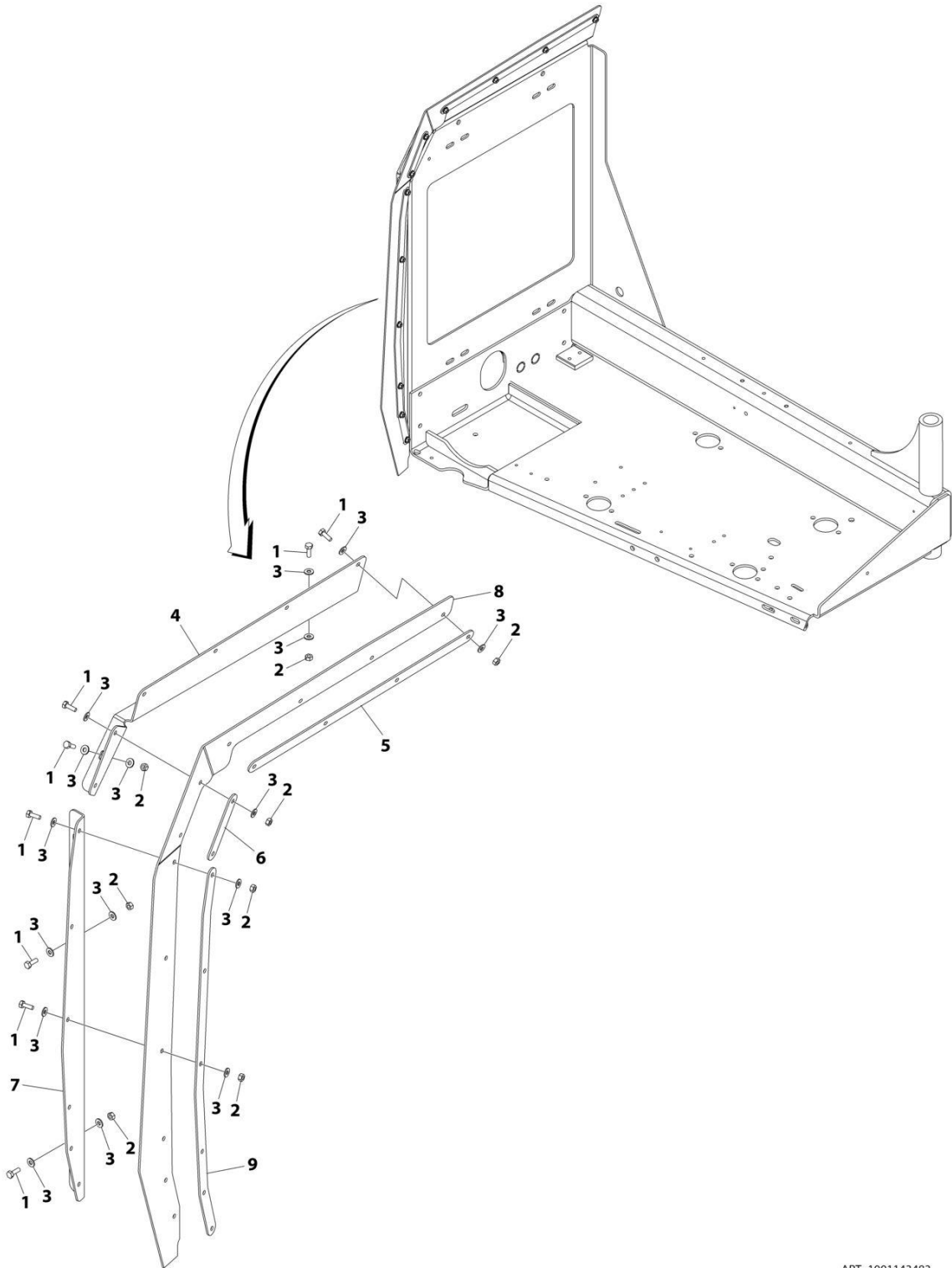
## SECTION 3 - ENGINE

**FIGURE 3-41. ENGINE HOOD BAFFLE INSTALLATION - DEUTZ TD2.9L4 AND DEUTZ 2.9L4 (STAGE V) ENGINES WITH ABS HOODS**

| ITEM | PART NUMBER | QTY | DESCRIPTION                      | REV |
|------|-------------|-----|----------------------------------|-----|
|      | 1001143484  | Ref | BAFFLES INSTALLATION (ABS HOODS) | C   |
| 1    | 0641406     | 18  | Bolt 1/4 x 3/4                   |     |
| 2    | 3311405     | 19  | Nut 1/4                          |     |
| 3    | 4711400     | 38  | Washer 1/4                       |     |
| 4    | 1001174745  | 1   | Bracket                          |     |
| 5    | 1001142031  | 1   | Bracket                          |     |
| 6    | 1001142032  | 1   | Bracket                          |     |
| 7    | 1001143449  | 1   | Bracket                          |     |
| 8    | 1001195967  | 1   | Baffle                           |     |
| 9    | 1001143525  | 1   | Bracket                          |     |
| 10   | 1001143860  | 1   | Bracket, Bumper                  |     |
| 11   | 0641407     | 1   | Bolt 1/4 x 78                    |     |

# SECTION 3 - ENGINE

FIGURE 3-42. ENGINE HOOD Baffle INSTALLATION - DEUTZ TD2.9L4 AND DEUTZ 2.9L4 (STAGE V) ENGINES WITH STEEL HOODS



ART\_1001143483

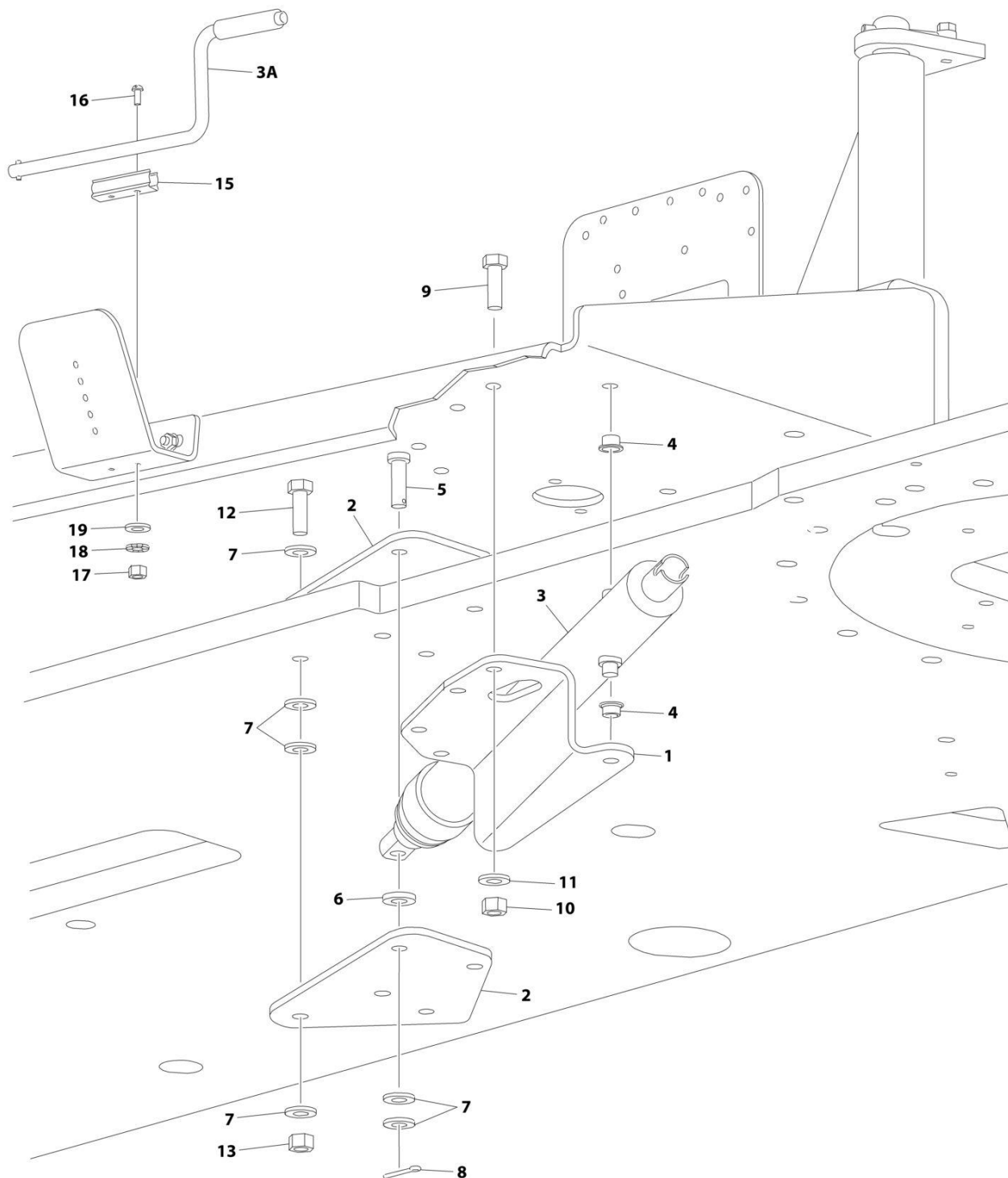
## SECTION 3 - ENGINE

**FIGURE 3-42. ENGINE HOOD BAFFLE INSTALLATION - DEUTZ TD2.9L4 AND DEUTZ 2.9L4 (STAGE V) ENGINES WITH STEEL HOODS**

| ITEM | PART NUMBER | QTY | DESCRIPTION                        | REV |
|------|-------------|-----|------------------------------------|-----|
|      | 1001143483  | Ref | BAFFLES INSTALLATION (STEEL HOODS) | B   |
| 1    | 0641406     | 19  | Bolt 1/4 x 3/4                     |     |
| 2    | 3311405     | 19  | Nut 1/4                            |     |
| 3    | 4711400     | 38  | Washer 1/4                         |     |
| 4    | 1001174745  | 1   | Bracket                            |     |
| 5    | 1001142031  | 1   | Bracket                            |     |
| 6    | 1001142032  | 1   | Bracket                            |     |
| 7    | 1001143449  | 1   | Bracket                            |     |
| 8    | 1001174746  | 1   | Baffle                             |     |
| 9    | 1001143525  | 1   | Bracket                            |     |

# SECTION 3 - ENGINE

## FIGURE 3-43. ENGINE TRAY JACK INSTALLATION - DEUTZ ENGINES



ART\_0258728



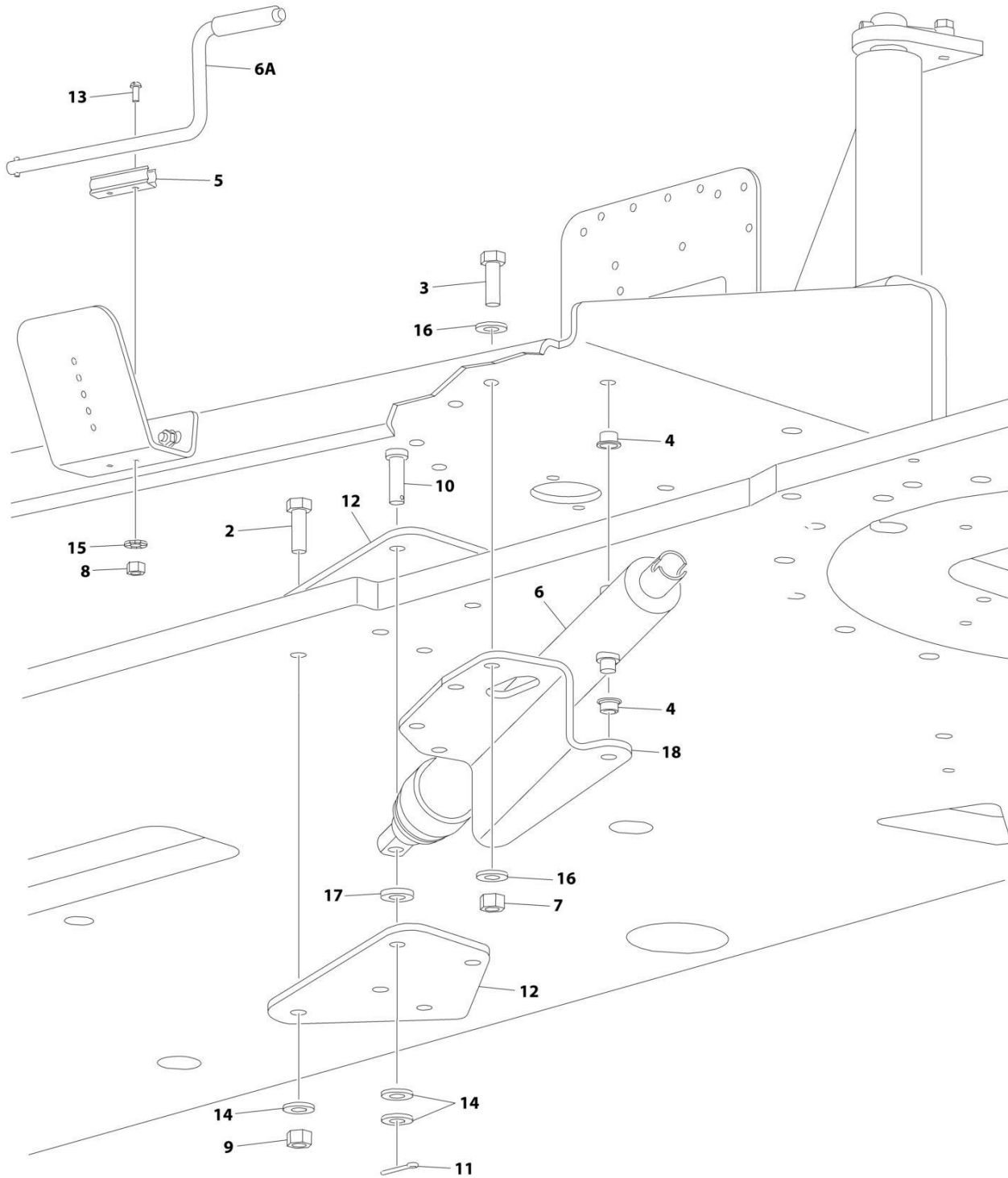
## SECTION 3 - ENGINE

**FIGURE 3-43. ENGINE TRAY JACK INSTALLATION - DEUTZ ENGINES**

| ITEM | PART NUMBER | QTY | DESCRIPTION                   | REV |
|------|-------------|-----|-------------------------------|-----|
|      | 0258728     | Ref | ENGINE TRAY JACK INSTALLATION | 2-C |
| 1    | 3537445     | 1   | Bracket                       |     |
| 2    | 3537446     | 2   | Bracket                       |     |
| 3    | 2840016     | 1   | Jack and Handle Assembly      | F   |
| 3A   | 7024598     | 1   | Handle                        |     |
| 4    | 0962051     | 2   | Bearing, Flange               |     |
| 5    | 3430816     | 1   | Pin, Clevis                   |     |
| 6    | 4891800     | 1   | Washer 1/2                    |     |
| 7    | 4711800     | 6   | Washer 1/2                    |     |
| 8    | 3450404     | 1   | Pin, Cotter 1/8 x 1           |     |
| 9    | 0641609     | 4   | Bolt 3/8 x 1-1/8              |     |
| 10   | 3311605     | 4   | Nut 3/8                       |     |
| 11   | 4891600     | 4   | Washer 3/8                    |     |
| 12   | 0641818     | 4   | Bolt 1/2 x 2-1/4              |     |
| 13   | 3311805     | 4   | Nut 1/2                       |     |
| 15   | 1380147     | 1   | Clip, Spring                  |     |
| 16   | 3910608     | 2   | Screw #6 x 1                  |     |
| 17   | 3310601     | 2   | Nut #6                        |     |
| 18   | 4770600     | 2   | Washer #6                     |     |
| 19   | 4740119     | 2   | Washer                        |     |

# SECTION 3 - ENGINE

## FIGURE 3-44. ENGINE TRAY JACK INSTALLATION - FORD ENGINES



ART\_1001219881

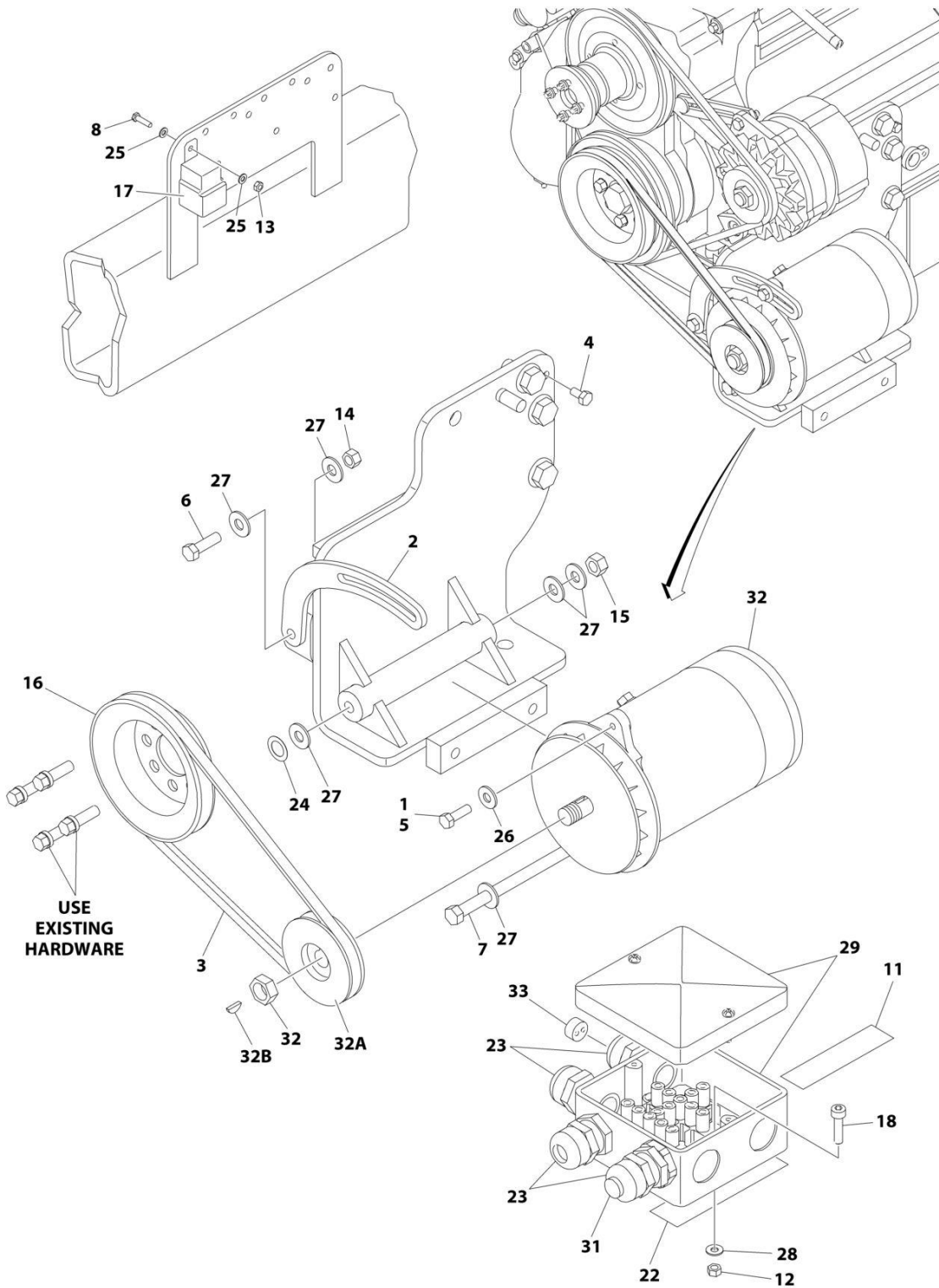
## SECTION 3 - ENGINE

**FIGURE 3-44. ENGINE TRAY JACK INSTALLATION - FORD ENGINES**

| ITEM | PART NUMBER | QTY | DESCRIPTION                   | REV |
|------|-------------|-----|-------------------------------|-----|
|      | 1001219881  | Ref | ENGINE TRAY JACK INSTALLATION | B   |
| 2    | 0641818     | 4   | Bolt 1/2 x 2-1/4              |     |
| 3    | 0761014     | 3   | Bolt M10 x 30                 |     |
| 4    | 0962051     | 2   | Bearing, Flange               |     |
| 5    | 1380147     | 1   | Clip, Spring                  |     |
| 6    | 2840016     | 1   | Jack and Handle Assembly      | F   |
| 6A   | 7024598     | 1   | Handle                        |     |
| 7    | 3291007     | 3   | Nut M10                       |     |
| 8    | 3310601     | 2   | Nut #6-32                     |     |
| 9    | 3311805     | 4   | Nut 1/2-13                    |     |
| 10   | 3430816     | 1   | Pin, Clevis                   |     |
| 11   | 3450404     | 1   | Pin, Cotter 1/8 x 1           |     |
| 12   | 3537446     | 2   | Bracket                       |     |
| 13   | 3910608     | 2   | Screw #6-32 x 1               |     |
| 14   | 4711800     | 6   | Washer 1/2                    |     |
| 15   | 4770600     | 2   | Washer #6                     |     |
| 16   | 4812000     | 6   | Washer M10                    |     |
| 17   | 4891800     | 1   | Washer 1/2                    |     |
| 18   | 1001218547  | 1   | Bracket                       |     |

# SECTION 3 - ENGINE

## FIGURE 3-45. 2500W/220V/50HZ GENERATOR INSTALLATION - DEUTZ D2011 ENGINES



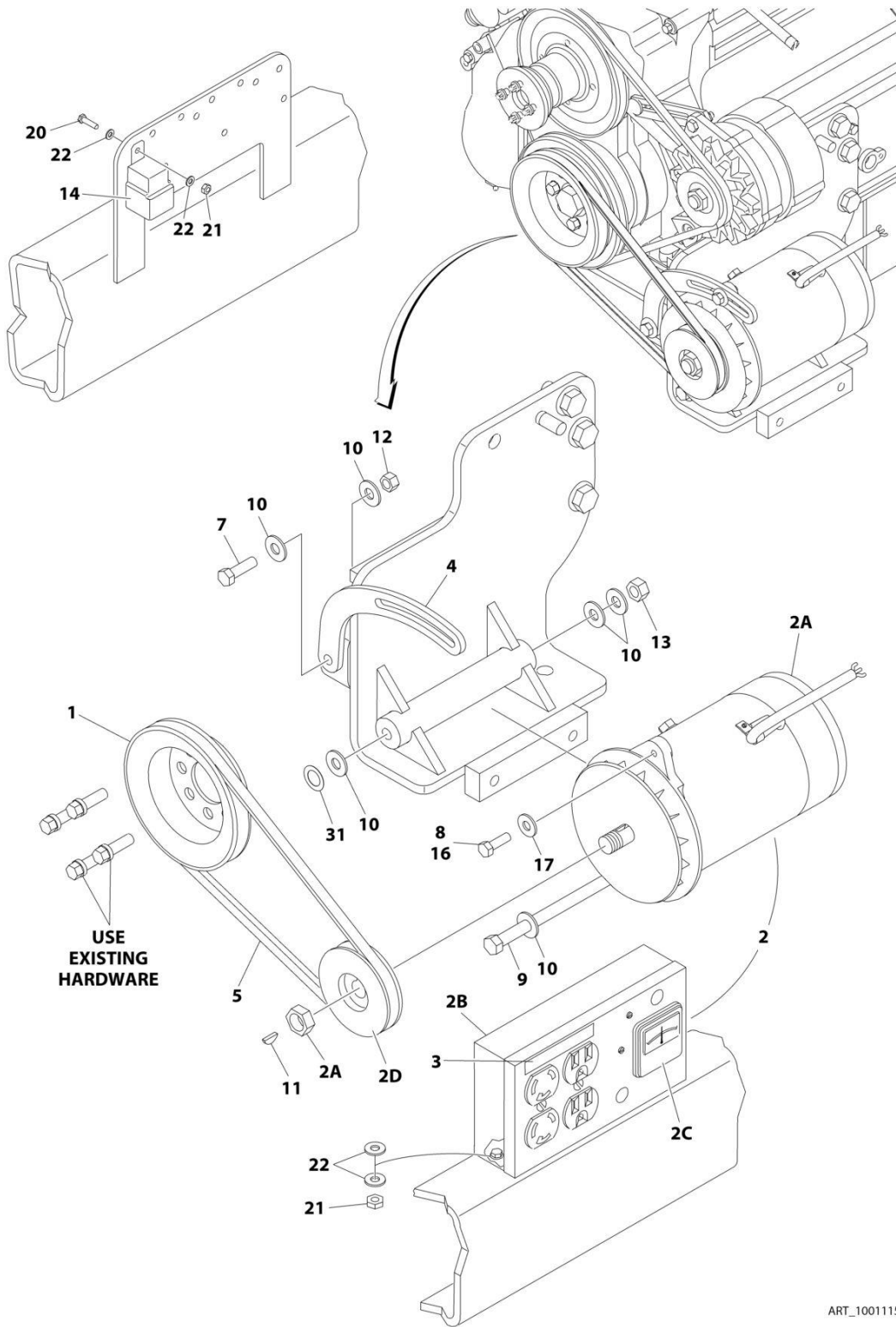
## SECTION 3 - ENGINE

**FIGURE 3-45. 2500W/220V/50HZ GENERATOR INSTALLATION - DEUTZ D2011 ENGINES**

| ITEM | PART NUMBER | QTY       | DESCRIPTION   | REV |
|------|-------------|-----------|---|-----|
|      | 1001115409  | Ref       | 2500W GENERATOR INSTALLATION - 220V/50Hz                            | B   |
| 1    | 0100011     | AR        | Compound, Locking   |     |
| 2    | 0200742     | 1         | Arm, Adjusting  |     |
| 3    | 0480121     | 1         | V-Belt  |     |
| 4    | 0641404     | 1         | Bolt 1/4 x 1/2  |     |
| 5    | 0641508     | 1         | Bolt 5/16 x 1   |     |
| 6    | 0641610     | 1         | Bolt 3/8 x 1-1/4  |     |
| 7    | 0641772     | 1         | Bolt 7/16 x 9   |     |
| 8    | 0721006     | AR        | Bolt #10 x 3/4  |     |
| 9    | 2820031     | 4 in/10cm | Heat Shrink (Not Shown - Located at Platform)                       |     |
| 10   | 3251102     | 1         | Decal (Not Shown - Located at Platform)                             |     |
| 11   | 3252507     | 2         | Decal - 220V - 50Hz   |     |
|      |             | Ref       | Note: One Decal Not Shown - Located on the Inside of Platform Rail. |     |
| 12   | 3290505     | 1         | Nut M5  |     |
| 13   | 3311005     | 1         | Nut #10   |     |
| 14   | 3311605     | 1         | Nut 3/8   |     |
| 15   | 3311705     | 1         | Nut 7/16  |     |
| 16   | 3580158     | 1         | Pulley  |     |
| 17   | 3740080     | 1         | Relay   |     |
| 18   | 4031608     | 1         | Bolt M5 x 20  |     |
| 19   | 4060802     | 1         | Guard, Switch (Not Shown - Located at Platform)                     |     |
| 20   | 4240018     | 1         | Tie Strap (Not Shown)   |     |
| 21   | 4360336     | 1         | Switch, Toggle (Not Shown - Located at Platform)                    |     |
| 22   | 4420060     | AR        | Tape, Double Coated Acrylic Foam                                    |     |
| 23   | 4460968     | 3         | Connector, Strain Relief  |     |
| 24   | 4740397     | 1         | Shim  |     |
| 25   | 4751000     | 2         | Washer #10  |     |
| 26   | 4751500     | 1         | Washer 5/16   |     |
| 27   | 4751600     | 6         | Washer 3/8  |     |
| 28   | 4811600     | 1         | Washer M5   |     |
| 29   | 1001099869  | 1         | Box, Junction   |     |
| 30   |             | Ref       | Wiring Diagram Components (Not Shown)                               |     |
| 30   | 4922641     | 1         | Generator On/Off Switch Harness (Not Shown - Located at Platform)   |     |
| 30   | 1001112589  | 1         | Generator Harness (Not Shown)                                       |     |
| 31   | 1001100234  | 1         | Light, Red  |     |
| 32   | 1001100321  | 1         | Generator   |     |
| 32   | 70000123    | 1         | Armature with Slip Rings  |     |
| 32   | 7012513     | 4         | Cap, Brush Holder   |     |
| 32   | 7020108     | 4         | Brush   |     |
| 32   | 7020109     | 4         | Holder, Brush   |     |
| 32   | 7012514     | 1         | Fan   |     |
| 32   | 7020110     | 1         | Bell, Front   |     |
| 32   | 7020111     | 1         | Bell, Rear  |     |
| 32   | 7020190     | 1         | Bearing   |     |
| 32A  | 3580134     | 1         | Pulley - 50Hz   |     |
| 32B  | 7027887     | 1         | Key, Woodruff   |     |
| 33   | 0962449     | 1         | Bushing   |     |

# SECTION 3 - ENGINE

## FIGURE 3-46. 2500W/110V/60HZ GENERATOR INSTALLATION - DEUTZ D2011 ENGINES



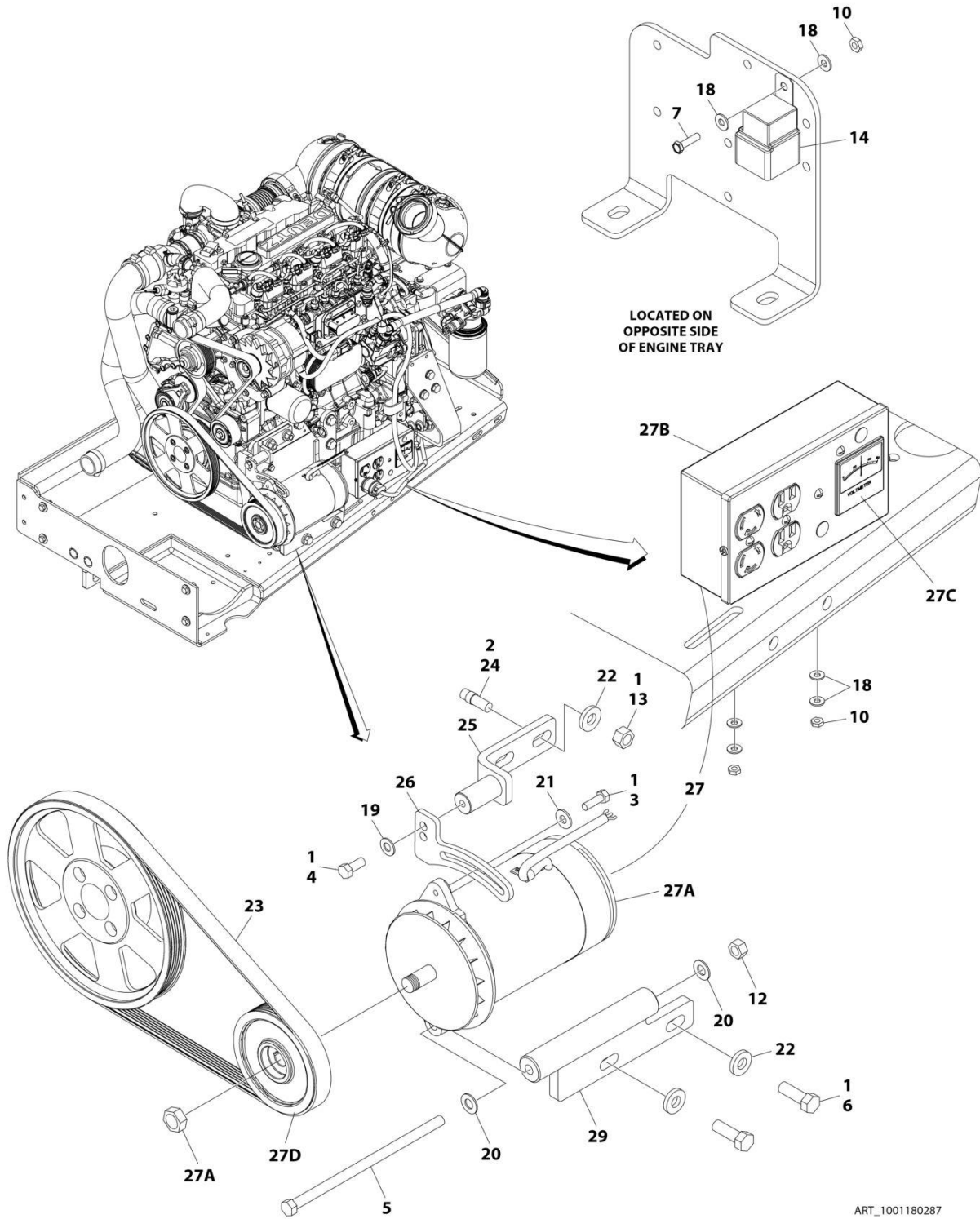
## SECTION 3 - ENGINE

**FIGURE 3-46. 2500W/110V/60HZ GENERATOR INSTALLATION - DEUTZ D2011 ENGINES**

| ITEM | PART NUMBER | QTY        | DESCRIPTION   | REV |
|------|-------------|------------|---|-----|
|      | 1001115405  | Ref        | 2500W GENERATOR INSTALLATION - 110V/60Hz  | B   |
| 1    | 3580158     | 1          | Pulley  |     |
| 2    | 2460055     | 1          | Generator and Control Box Assembly:   |     |
| 2A   | 7012558     | 1          | Generator Only - 110V/60Hz  |     |
| 2A   |             | Ref        | Note: Replacement Generators come standard with p/n 3580134 pulley. This pulley may not be correct for all applications. Refer to pulley options below. |     |
| 2A   | 7026199     | 1          | Armature with Slip Rings  |     |
| 2A   | 7012513     | 4          | Cap, Brush Holder   |     |
| 2A   | 7020108     | 4          | Brush   |     |
| 2A   | 7020109     | 4          | Holder, Brush   |     |
| 2A   | 7012514     | 1          | Fan   |     |
| 2A   | 7020110     | 1          | Bell, Front   |     |
| 2A   | 7020111     | 1          | Bell, Rear  |     |
| 2A   | 7020190     | 1          | Bearing   |     |
| 2B   | 7019680     | 1          | Box, Control  |     |
| 2B   |             | Ref        | Receptacle Options:   |     |
| 2B   | 4460190     | 1          | Receptacle, Standard  |     |
| 2B   | 4460027     | 1          | Receptacle, Twistlock   |     |
| 2B   | 4360542     | 1          | Breaker, Circuit:   |     |
| 2B   | 3520028     | 1          | Plug, Hole  |     |
| 2C   | 2420203     | 1          | Voltmeter   |     |
| 2D   | 3580276     | 1          | Pulley  |     |
| 2D   | 7027887     | 1          | Key, Woodruff   |     |
| 3    | 3251243     | 1          | Decal - 110V/60Hz   |     |
| 4    | 0200742     | 1          | Arm, Adjusting  |     |
| 5    | 0480121     | 1          | V-Belt  |     |
| 7    | 0641610     | 1          | Bolt 3/8 x 1-1/4  |     |
| 8    | 0100011     | AR         | Compound, Locking   |     |
| 9    | 0641772     | 1          | Bolt 7/16 x 9   |     |
| 10   | 4751600     | 6          | Washer 3/8  |     |
| 11   | 2860012     | 1          | Key, Woodruff   |     |
| 12   | 3311605     | 1          | Nut 3/8   |     |
| 13   | 3311705     | 1          | Nut 7/16  |     |
| 14   | 3740080     | 1          | Relay   |     |
| 16   | 0641508     | 1          | Bolt 5/16 x 1   |     |
| 17   | 4751500     | AR         | Washer 5/16   |     |
| 18   | 1001112588  | 1          | Wiring Diagram Components (Not Shown)   |     |
| 18   | 1001112589  | 1          | Generator Harness (Not Shown)   |     |
| 18   | 4922641     | 1          | Generator ON/OFF Switch Harness (Not Shown - Located at Platform)   |     |
| 20   | 0721006     | AR         | Bolt #10 x 3/4  |     |
| 21   | 3311005     | 3          | Nut #10   |     |
| 22   | 4751000     | AR         | Washer #10  |     |
| 25   | 4360336     | 1          | Switch, Toggle (Not Shown - Located at Platform)  |     |
| 26   | 4740397     | 1          | Bushing (Not Shown - Located at Platform)   |     |
| 27   | 4060802     | 1          | Guard, Switch (Not Shown - Located at Platform)   |     |
| 29   | 2820031     | 4 in/ 10cm | Heat Shrink (Not Shown - Located at Platform)   |     |
| 30   | 3251102     | 1          | Decal (Not Shown - Located at Platform)   |     |
| 31   | 4070585     | AR         | Shim  |     |

# SECTION 3 - ENGINE

## FIGURE 3-47. 2500W/110V/60HZ GENERATOR INSTALLATION - DEUTZ TD2.9L4 ENGINES



ART\_1001180287



## SECTION 3 - ENGINE

**FIGURE 3-47. 2500W/110V/60HZ GENERATOR INSTALLATION - DEUTZ TD2.9L4 ENGINES**

| ITEM | PART NUMBER | QTY | DESCRIPTION   | REV |
|------|-------------|-----|---|-----|
|      | 1001180287  | Ref | 2500W GENERATOR INSTALLATION - DEUTZ TD2.9L4 (OPTIONAL)   | C   |
| 1    | 0100011     | AR  | Compound, Locking   |     |
| 2    | 0100019     | AR  | Compound, Locking   |     |
| 3    | 0641508     | 1   | Bolt 5/16 x 1   |     |
| 4    | 0641607     | 1   | Bolt 3/8 x 7/8  |     |
| 5    | 0641772     | 1   | Bolt 7/16 x 9   |     |
| 6    | 0641812     | 2   | Bolt 1/2 x 1-1/2  |     |
| 7    | 0721006     | 1   | Screw #10 x 3/4   |     |
| 8    | 2820031     | AR  | Heat Shrink (Not Shown - Located at Platform)   |     |
| 9    | 3251102     | 1   | Name Plate - Generator On (Not Shown - Located at Platform)   |     |
| 10   | 3311005     | 3   | Nut #10   |     |
| 12   | 3311705     | 1   | Nut 7/16  |     |
| 13   | 3311801     | 2   | Nut 1/2   |     |
| 14   | 3740080     | 1   | Relay   |     |
| 15   | 4060802     | 1   | Guard, Switch (Not Shown - Located at Platform)   |     |
| 16   | 4240018     | AR  | Strap, Cable Tie (Not Shown)  |     |
| 17   | 4360336     | 1   | Switch, Toggle (Not Shown - Located at Platform)  |     |
| 18   | 4711000     | 6   | Washer #10  |     |
| 19   | 4711600     | 1   | Washer 3/8  |     |
| 20   | 4711700     | 2   | Washer 7/16   |     |
| 21   | 4751500     | 1   | Washer 5/16   |     |
| 22   | 4891800     | 4   | Washer 1/2  |     |
| 23   | 1001148138  | 1   | V-Belt  |     |
| 24   | 1001163599  | 2   | Stud  |     |
| 25   | 1001216015  | 1   | Bracket   |     |
| 26   | 1001179837  | 1   | Arm, Adjustment   |     |
| 27   | 1001180001  | 1   | Generator and Control Box Assembly  |     |
| 27A  | 7012558     | 1   | Generator Only - 110V/60Hz  |     |
| 27A  |             | Ref | Note: Replacement Generators come standard with p/n 3580134 pulley. This pulley may not be correct for all applications. Refer to pulley options below. |     |
| 27A  | 7026199     | 1   | Armature with Slip Rings  |     |
| 27A  | 7012513     | 4   | Cap, Brush Holder   |     |
| 27A  | 7020108     | 4   | Brush   |     |
| 27A  | 7020109     | 4   | Holder, Brush   |     |
| 27A  | 7012514     | 1   | Fan   |     |
| 27A  | 7020110     | 1   | Bell, Front   |     |
| 27A  | 7020111     | 1   | Bell, Rear  |     |
| 27A  | 7020190     | 2   | Bearing   |     |
| 27B  | 7019680     | 1   | Box, Control - 110V/60Hz  |     |
| 27B  |             | Ref | Receptacle Options:   |     |
| 27B  | 4460190     | 1   | Receptacle, Standard (110V Only)  |     |
| 27B  | 4460027     | 1   | Receptacle, Twistlock (110V Only)   |     |
| 27B  | 4360542     | 1   | Breaker, Circuit  |     |
| 27B  | 3520028     | 1   | Plug, Hole  |     |
| 27C  | 2420203     | 1   | Voltmeter   |     |
| 27D  | 3580276     | 1   | Pulley  |     |
| 27D  | 7027887     | 1   | Key, Woodruff   |     |
| 28   |             | Ref | Wiring Diagram Components (Not Shown)   |     |

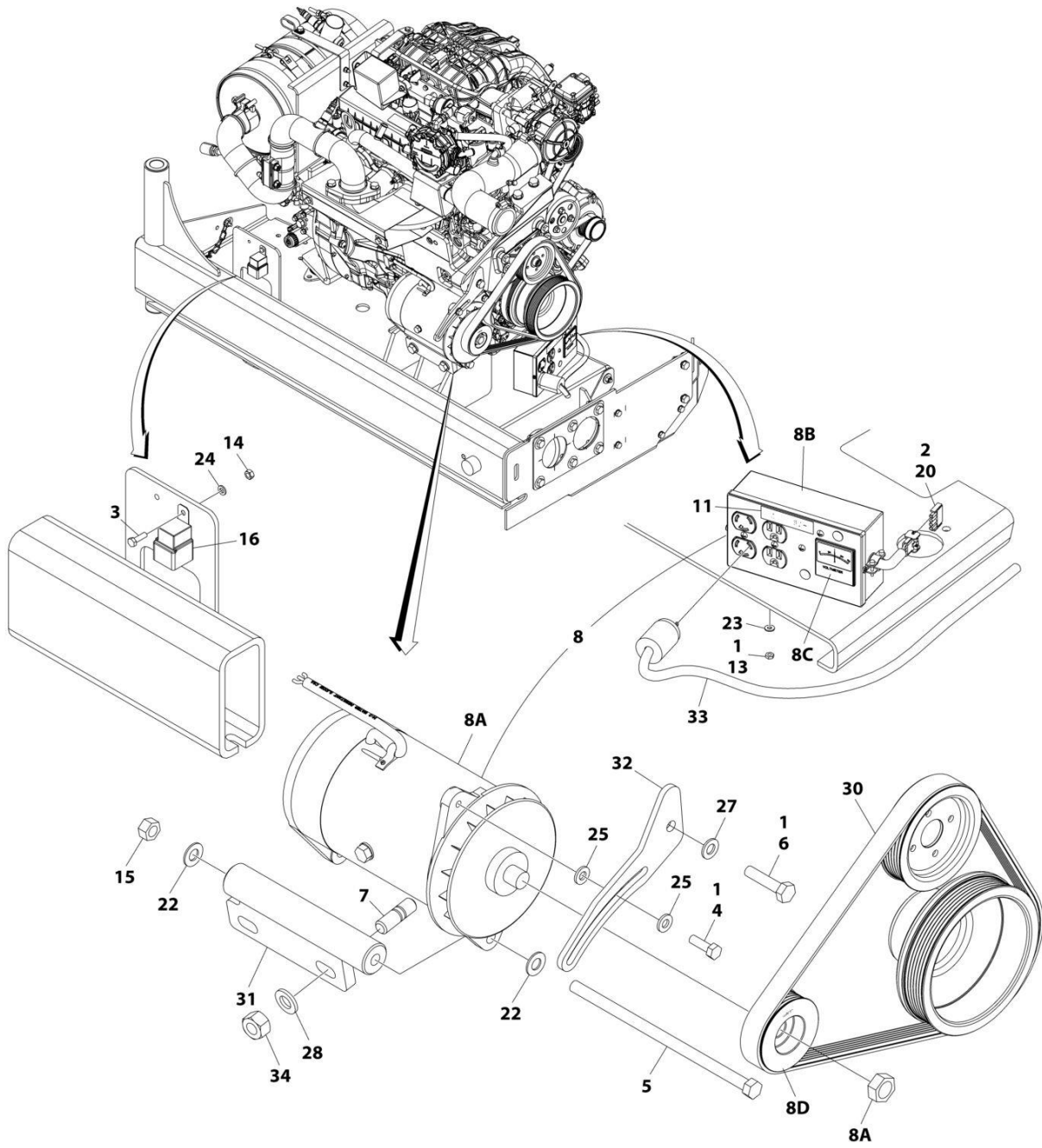
## SECTION 3 - ENGINE

| ITEM | PART NUMBER | QTY | DESCRIPTION   | REV |
|------|-------------|-----|---|-----|
| 28   | 4922641     | 1   | Generator On/Off Switch Harness (Not Shown - Located at Platform) |     |
| 28   | 1001180052  | 1   | Generator Harness (Not Shown)                                     |     |
| 29   | 1001181243  | 1   | Mount, Generator  |     |



# SECTION 3 - ENGINE

## FIGURE 3-48. 2500W/110V/60HZ GENERATOR INSTALLATION - FORD ENGINES



ART\_1001219619

## SECTION 3 - ENGINE

**FIGURE 3-48. 2500W/110V/60HZ GENERATOR INSTALLATION - FORD ENGINES**

| ITEM | PART NUMBER | QTY | DESCRIPTION   | REV |
|------|-------------|-----|---|-----|
|      | 1001219619  | Ref | 2500W GENERATOR INSTALLATION - FORD MACHINES (OPTIONAL)   | E   |
| 1    | 0100011     | AR  | Compound, Locking   |     |
| 2    | 0100048     | AR  | Grease, Dielectric  |     |
| 3    | 0760610     | 1   | Bolt M6 x 20  |     |
| 4    | 0641508     | 1   | Bolt 5/16 x 1   |     |
| 5    | 0641772     | 1   | Bolt 7/16 x 9   |     |
| 6    | 0761016     | 1   | Bolt M10 x 40   |     |
| 7    | 1001155041  | 1   | Stud  |     |
| 8    | 2460051     | 1   | Generator and Control Box Assembly  |     |
| 8A   | 7012558     | 1   | Generator Only - 110V/60Hz  |     |
|      |             | Ref | Note: Replacement Generators come standard with pin 3580134 pulley. This pulley may not be correct for all applications. Refer to pulley options below. |     |
| 8A   | 7026199     | 1   | Armature with Slip Rings  |     |
| 8A   | 7012513     | 4   | Cap, Brush Holder   |     |
| 8A   | 7020108     | 4   | Brush   |     |
| 8A   | 7020109     | 4   | Holder, Brush   |     |
| 8A   | 7012514     | 1   | Fan   |     |
| 8A   | 7020110     | 1   | Bell, Front   |     |
| 8A   | 7020111     | 1   | Bell, Rear  |     |
| 8A   | 7020190     | 2   | Bearing   |     |
| 8B   | 7019680     | 1   | Box, Control - 110V/60Hz  |     |
| 8B   |             | Ref | Receptacle Options:   |     |
| 8B   | 4460190     | 1   | Receptacle, Standard (110V Only)  |     |
| 8B   | 4460027     | 1   | Receptacle, Twistlock (110V Only)   |     |
| 8B   | 4360542     | 1   | Breaker, Circuit  |     |
| 8B   | 3520028     | 1   | Plug, Hole  |     |
| 8C   | 2420203     | 1   | Voltmeter   |     |
| 8D   | 3580324     | 1   | Pulley  |     |
| 8D   | 7027887     | 1   | Key, Woodruff   |     |
| 9    | 2820031     | 1   | Heat Shrink (Not Shown - Located at Platform)   |     |
| 10   | 3251102     | 1   | Nameplate Generator (Not Shown - Located at Platform)   |     |
| 11   | 3251243     | 1   | Decal - 120V-60Hz   |     |
| 13   | 3311005     | 2   | Nut #10   |     |
| 14   | 3290601     | 1   | Nut M6  |     |
| 15   | 3311705     | 1   | Nut 7/16  |     |
| 16   | 3740080     | 1   | Relay   |     |
| 17   | 4060802     | 1   | Guard Switch (Not Shown - Located at Platform)  |     |
| 18   | 4240099     | AR  | Tie-Strap (Not Shown)   |     |
| 19   | 4360336     | 1   | Switch, Toggle (Not Shown - Located at Platform)  |     |
| 20   | 4460321     | 1   | Plug, Male - 4 Position   |     |
| 22   | 4711700     | 2   | Washer 7/16   |     |
| 23   | 4751000     | 2   | Washer #10  |     |
| 24   | 4811700     | 1   | Washer M6   |     |
| 25   | 4891500     | 2   | Washer 5/16   |     |
| 27   | 4812000     | 1   | Washer M10  |     |
| 28   | 4812200     | 2   | Washer M14  |     |
| 29   |             | Ref | Wiring Diagram Components (Not Shown)   |     |
| 29   | 4922641     | 1   | Generator On/Off Switch Harness (Not Shown - Located at   |     |

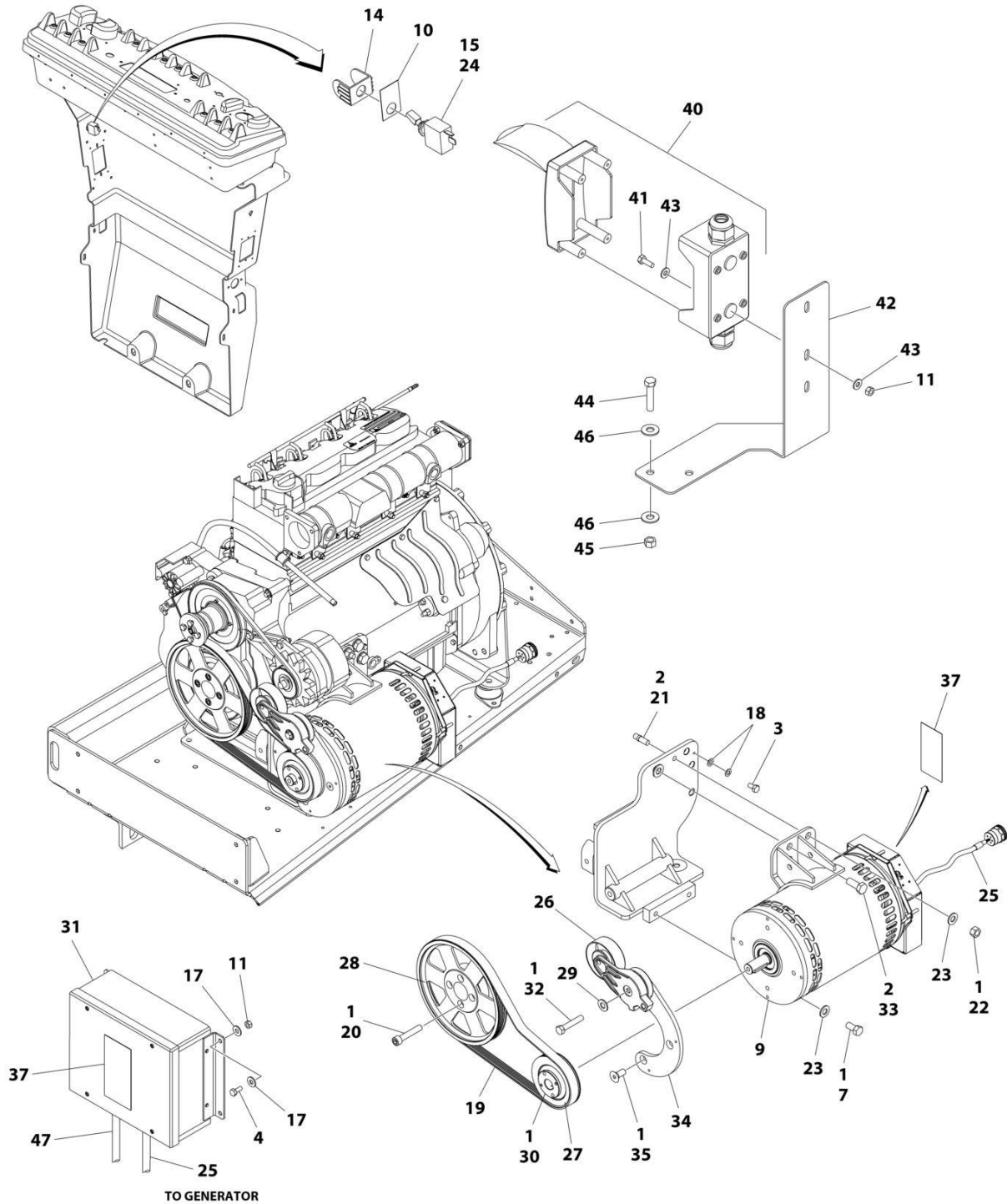
### SECTION 3 - ENGINE

| ITEM | PART NUMBER | QTY | DESCRIPTION   | REV |
|------|-------------|-----|---|-----|
| 29   | 4923445     | 1   | Platform)<br>Generator Harness (Not Shown - See Separate Breakdown in ELECTRICAL SECTION) |     |
| 30   | 1001216391  | 1   | V-Belt  |     |
| 31   | 1001219630  | 1   | Mount, Generator  |     |
| 32   | 1001219632  | 1   | Arm, Adjustment   |     |
| 33   | 4921829     | 1   | Harness, Inverter   |     |
| 34   | 3291201     | 2   | Nut M12   |     |



# SECTION 3 - ENGINE

## FIGURE 3-49. 4000W/50HZ GENERATOR INSTALLATION - DEUTZ D2011 ENGINES



ART\_1001153310



## SECTION 3 - ENGINE

**FIGURE 3-49. 4000W/50HZ GENERATOR INSTALLATION - DEUTZ D2011 ENGINES**

| ITEM | PART NUMBER | QTY | DESCRIPTION   | REV |
|------|-------------|-----|---|-----|
|      | 1001153310  | Ref | 4000W/50HZ GENERATOR INSTALLATION - DEUTZ D2011 ENGINES           | F   |
| 1    | 0100011     | AR  | Compound, Locking   |     |
| 2    | 0100019     | AR  | Compound, Locking   |     |
| 3    | 0641404     | 1   | Bolt 1/4 x 1/2  |     |
| 4    | 0641405     | 4   | Bolt 1/4 x 5/8  |     |
| 7    | 0641808     | 2   | Bolt 1/2 x 1  |     |
| 9    | 1001138565  | 1   | Generator Assembly  |     |
| 9    | 70003709    | 1   | Ring, Retaining (External)  |     |
| 9    | 70003708    | 1   | Ring, Retaining (Internal)  |     |
| 9    | 70001966    | 1   | Bearing   |     |
| 9    | 70004092    | 1   | Endbell (Shaft End)   |     |
| 9    | 70004171    | 1   | Key   |     |
| 9    | 70004676    | 1   | Rotor   |     |
| 9    | 70004677    | 1   | Stator  |     |
| 9    | 70004678    | 1   | Endbell (Rear)  |     |
| 9    | 70004679    | 1   | Cover, Endbell (Rear)   |     |
| 9    | 70004680    | 1   | Enclosure, Wiring   |     |
| 9    | 70004681    | 1   | Cover, Enclosure  |     |
| 9    | 70004682    | 1   | Switch, Reset (Located on Enclosure Cover)                        |     |
| 9    | 70004683    | 1   | Connector, Strain Relief (Located on Enclosure Cover)             |     |
| 10   | 3251102     | 1   | Nameplate - Generator   |     |
| 11   | 3311405     | 6   | Nut 1/4   |     |
| 14   | 4060802     | 1   | Guard, Switch   |     |
| 15   | 4360336     | 1   | Switch, Toggle  |     |
| 17   | 4751400     | 8   | Washer 1/4  |     |
| 18   | 4791400     | 2   | Washer 1/4  |     |
| 19   | 0480126     | 1   | Belt, Generator   |     |
| 20   | 4032015     | 4   | Capscrew M10 x 55   |     |
| 21   | 4300157     | 1   | Stud  |     |
| 22   | 3311801     | 1   | Nut 1/2   |     |
| 23   | 4711800     | 3   | Washer 1/2  |     |
| 24   | 2820031     | AR  | Heat Shrink   |     |
| 25   | 1001152532  | 1   | Harness, Generator (See Separate Breakdown in ELECTRICAL Section) |     |
| 26   | 3580317     | 1   | Pulley, Tensioner   |     |
| 27   | 3580319     | 1   | Pulley, Generator   |     |
| 28   | 3580320     | 1   | Pulley, Engine  |     |
| 29   | 4711600     | 1   | Washer 3/8  |     |
| 30   | 0962520     | 1   | Bushing   |     |
| 31   | 1001138566  | 1   | Box, Control  |     |
| 31   | 70006552    | 1   | Capacitor   |     |
| 31   | 70006553    | 1   | Relay   |     |
| 32   | 0641616     | 1   | Bolt 3/8 x 2  |     |
| 33   | 0771415     | 1   | Bolt M14 x 35   |     |
| 34   | 1001139357  | 1   | Mount, Tensioner  |     |
| 35   | 0741607     | 3   | Screw 3/8 x 7/8   |     |
| 37   | 1705489     | 2   | Decal - Hazardous Voltage   |     |
| 40   | 1001165368  | 1   | Breaker Box Kit (See Separate Breakdown in ELECTRICAL SECTION)    |     |

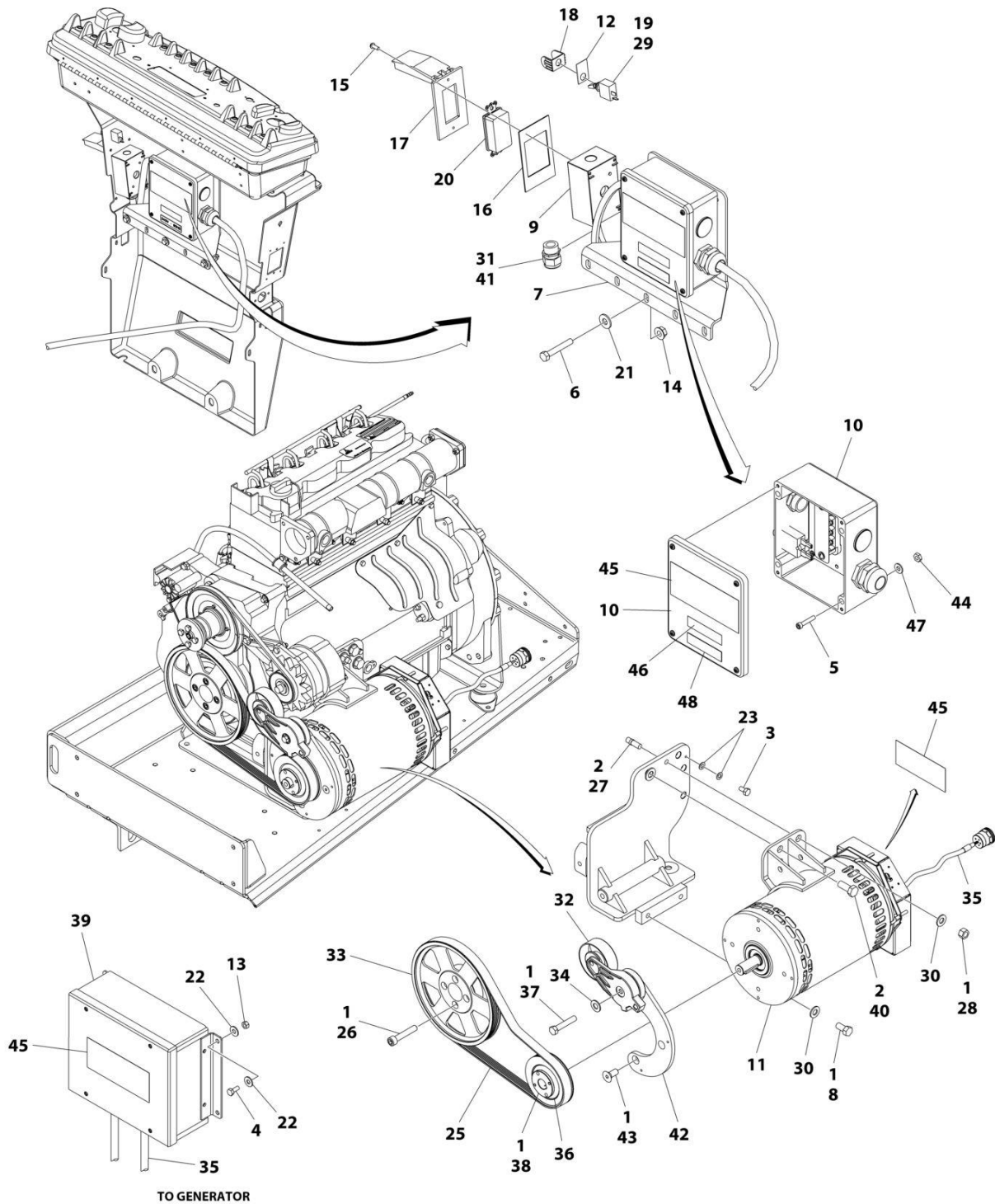
### SECTION 3 - ENGINE

| ITEM | PART NUMBER | QTY | DESCRIPTION  | REV |
|------|-------------|-----|--|-----|
| 41   | 0641406     | 2   | Bolt 1/4 x 3/4   |     |
| 42   | 1001177910  | 1   | Bracket  |     |
| 43   | 4711400     | 4   | Washer 1/4   |     |
| 44   | 0641614     | 2   | Bolt 3/8 x 1-3/4   |     |
| 45   | 3311605     | 2   | Nut 3/8  |     |
| 46   | 4751600     | 4   | Washer 3/8   |     |
| 47   | 1001153197  | 1   | Generator Harness (See Separate Breakdown in ELECTRICAL SECTION) |     |



# SECTION 3 - ENGINE

## FIGURE 3-50. 4000W/60HZ GENERATOR INSTALLATION - DEUTZ D2011 ENGINES



ART\_1001153309

## SECTION 3 - ENGINE

**FIGURE 3-50. 4000W/60HZ GENERATOR INSTALLATION - DEUTZ D2011 ENGINES**

| ITEM | PART NUMBER | QTY | DESCRIPTION   | REV |
|------|-------------|-----|---|-----|
|      | 1001153309  | Ref | 4000W/60HZ GENERATOR INSTALLATION - DEUTZ D2011 ENGINES | B   |
| 1    | 0100011     | AR  | Compound, Locking                                       |     |
| 2    | 0100019     | AR  | Compound, Locking                                       |     |
| 3    | 0641404     | 1   | Bolt 1/4 x 1/2  |     |
| 4    | 0641405     | 4   | Bolt 1/4 x 5/8  |     |
| 5    | 3931016     | 4   | Capscrew #10 x 1  |     |
| 6    | 0641516     | 3   | Bolt 5/16 x 2   |     |
| 7    | 0902888     | 1   | Bracket   |     |
| 8    | 0641808     | 2   | Bolt 1/2 x 1  |     |
| 9    | 0860038     | 1   | Box, Receptacle   |     |
| 10   | 1001152457  | 1   | Junction Box Assembly                                   |     |
| 10   | 3300396     | 1   | Cover, Breaker  |     |
| 10   | 4360070     | 1   | Breaker, Circuit - 15Amp                                |     |
| 10   | 4460425     | 1   | Connector, Strain Relief (LH Side)                      |     |
| 10   | 4460426     | 1   | Connector, Strain Relief (RH Side)                      |     |
| 10   | 1001152530  | 1   | Block, Terminal   |     |
| 10   | 1001158363  | 1   | Cover, Terminal Block                                   |     |
| 10   | 1001153260  | 1   | Decal - Wiring Diagram                                  |     |
| 11   | 1001129858  | 1   | Generator Assembly                                      |     |
| 11   | 70003709    | 1   | Ring, Retaining (External)                              |     |
| 11   | 70003708    | 1   | Ring, Retaining (Internal)                              |     |
| 11   | 70001966    | 1   | Bearing   |     |
| 11   | 70004092    | 1   | Endbell (Shaft End)                                     |     |
| 11   | 70004171    | 1   | Key   |     |
| 11   | 70004676    | 1   | Rotor   |     |
| 11   | 70004684    | 1   | Stator  |     |
| 11   | 70004678    | 1   | Endbell (Rear)  |     |
| 11   | 70004679    | 1   | Cover, Endbell (Rear)                                   |     |
| 11   | 70004680    | 1   | Enclosure, Wiring                                       |     |
| 11   | 70004685    | 1   | Cover, Enclosure  |     |
| 11   | 70004682    | 1   | Switch, Reset (Located on Enclosure Cover)              |     |
| 11   | 70004098    | 1   | Connector, Strain Relief (Located on Enclosure Cover)   |     |
| 12   | 3251102     | 1   | Nameplate - Generator                                   |     |
| 13   | 3311405     | 4   | Nut 1/4   |     |
| 14   | 3311508     | 3   | Nut 5/16  |     |
| 15   | 3910606     | 4   | Screw #6 x 3/8  |     |
| 16   | 3960422     | 1   | Gasket, Receptacle                                      |     |
| 17   | 1001110873  | 1   | Cover, Receptacle                                       |     |
| 18   | 4060802     | 1   | Guard, Switch   |     |
| 19   | 4360336     | 1   | Switch, Toggle  |     |
| 20   | 4460346     | 1   | Receptacle  |     |
| 21   | 4751500     | 3   | Washer 5/16   |     |
| 22   | 4751400     | 8   | Washer 1/4  |     |
| 23   | 4791400     | 2   | Washer 1/4  |     |
| 25   | 0480129     | 1   | Belt, Generator   |     |
| 26   | 4032015     | 4   | Capscrew M10 x 55                                       |     |
| 27   | 4300157     | 1   | Stud  |     |
| 28   | 3311801     | 1   | Nut 1/2   |     |
| 29   | 2820031     | AR  | Heat Shrink   |     |

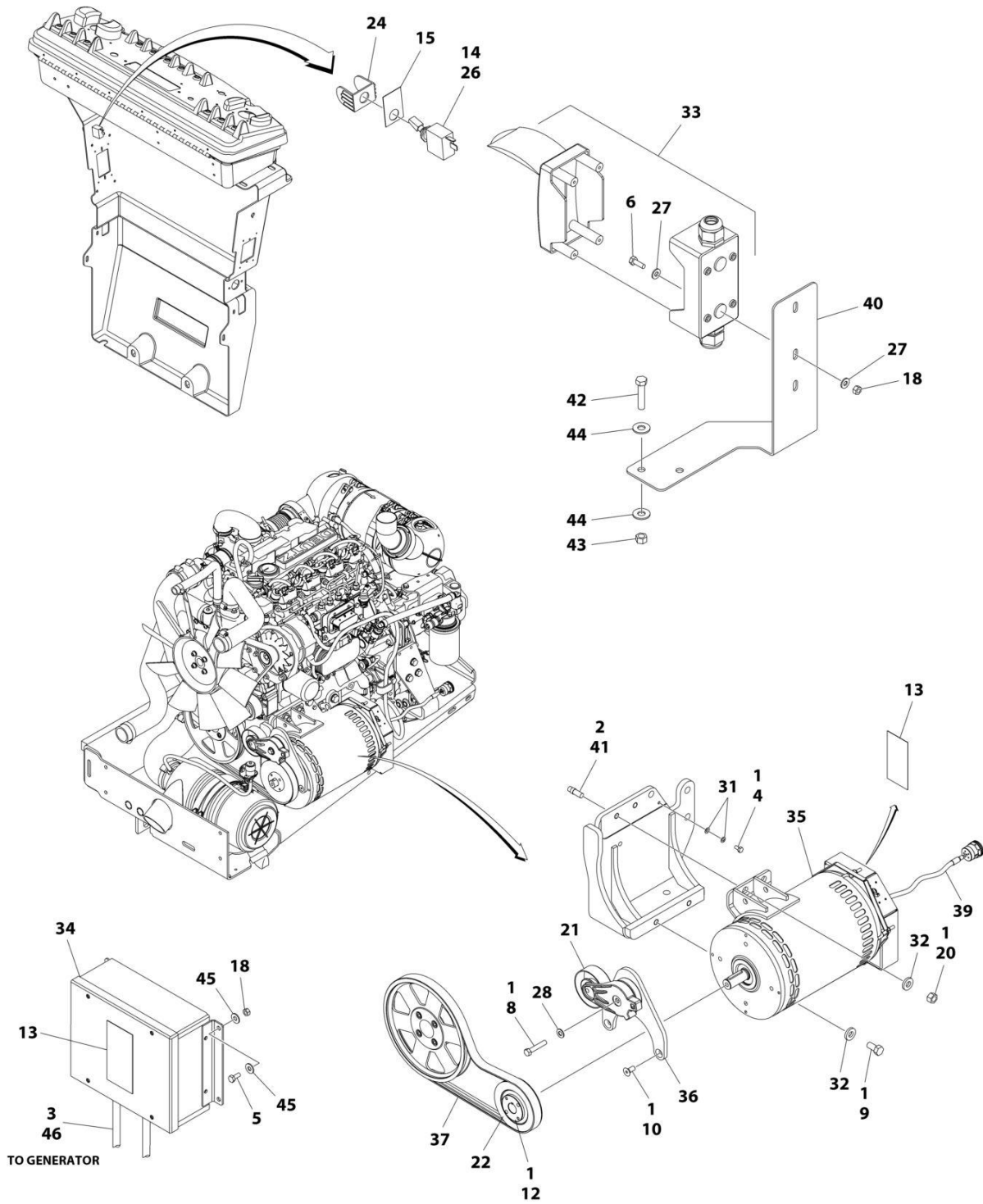
## SECTION 3 - ENGINE

| ITEM | PART NUMBER | QTY | DESCRIPTION   | REV |
|------|-------------|-----|---|-----|
| 30   | 4711800     | 3   | Washer 1/2  |     |
| 31   | 4460071     | 1   | Connector, Strain Relief  |     |
| 32   | 3580317     | 1   | Pulley, Tensioner   |     |
| 33   | 3580320     | 1   | Pulley, Engine  |     |
| 34   | 4711600     | 1   | Washer 3/8  |     |
| 35   | 1001152532  | 1   | Harness, Generator (See Separate Breakdown in ELECTRICAL Section) |     |
| 36   | 3580318     | 1   | Pulley, Generator   |     |
| 37   | 0641616     | 1   | Bolt 3/8 x 2  |     |
| 38   | 0962520     | 1   | Bushing   |     |
| 39   | 1001138566  | 1   | Box, Control  |     |
| 39   | 70006552    | 1   | Capacitor   |     |
| 39   | 70006553    | 1   | Relay   |     |
| 40   | 0771415     | 1   | Bolt M14 x 35   |     |
| 41   | 0100020     | AR  | Sealant   |     |
| 42   | 1001139357  | 1   | Mount, Tensioner  |     |
| 43   | 0741607     | 3   | Screw 3/8 x 7/8   |     |
| 44   | 3311005     | 4   | Nut #10   |     |
| 45   | 1705387     | 3   | Decal - Hazardous Voltage   |     |
| 46   | 3251243     | 1   | Decal - 120V-60Hz   |     |
| 47   | 4751000     | 4   | Washer #10  |     |
| 48   | 1705374     | 1   | Decal - 240V-60Hz   |     |



# SECTION 3 - ENGINE

FIGURE 3-51. 4000W/50HZ GENERATOR INSTALLATION - DEUTZ TD2.9L4 AND DEUTZ TD2.9L4 (STAGE V) ENGINES



ART\_1001171269



## SECTION 3 - ENGINE

**FIGURE 3-51. 4000W/50HZ GENERATOR INSTALLATION - DEUTZ TD2.9L4 AND DEUTZ TD2.9L4  
(STAGE V) ENGINES**

| ITEM | PART NUMBER | QTY | DESCRIPTION   | REV |
|------|-------------|-----|---|-----|
|      | 1001171269  | Ref | 4000W/50HZ GENERATOR INSTALLATION                                 | E   |
| 1    | 0100011     | AR  | Compound, Locking   |     |
| 2    | 0100019     | AR  | Compound, Locking   |     |
| 3    | 0100048     | AR  | Grease, Dielectric  |     |
| 4    | 0641404     | 1   | Bolt 1/4 x 1/2  |     |
| 5    | 0641405     | 4   | Bolt 1/4 x 5/8  |     |
| 6    | 0641406     | 2   | Bolt 1/4 x 3/4  |     |
| 8    | 0641618     | 1   | Bolt 3/8 x 2-1/4  |     |
| 9    | 0641808     | 2   | Bolt 1/2 x 1  |     |
| 10   | 0741607     | 3   | Screw 3/8 x 7/8   |     |
| 12   | 0962520     | 1   | Bushing, Split  |     |
| 13   | 1705489     | 2   | Decal - Hazardous Voltage   |     |
| 14   | 2820031     | AR  | Heat Shrink   |     |
| 15   | 3251102     | 1   | Nameplate - Generator   |     |
| 18   | 3311405     | 6   | Nut 1/4   |     |
| 20   | 3311801     | 2   | Nut 1/2   |     |
| 21   | 3580317     | 1   | Tensioner, Belt with Pulley                                       |     |
| 22   | 3580319     | 1   | Pulley, Generator   |     |
| 24   | 4060802     | 1   | Guard, Switch   |     |
| 25   | 4240018     | AR  | Tie-Strap (Not Shown)   |     |
| 26   | 4360336     | 1   | Switch, Toggle  |     |
| 27   | 4711400     | 4   | Washer 1/4  |     |
| 28   | 4711600     | 1   | Washer 3/8  |     |
| 31   | 4791400     | 2   | Washer 1/4  |     |
| 32   | 4891800     | 4   | Washer 1/2  |     |
| 33   | 1001165368  | 1   | Breaker Box Kit (See Separate Breakdown in ELECTRICAL SECTION)    |     |
| 34   | 1001138566  | 1   | Box, Control  |     |
| 34   | 70006552    | 1   | Capacitor   |     |
| 34   | 70006553    | 1   | Relay   |     |
| 35   | 1001140347  | 1   | Generator Assembly  |     |
| 35   | 70003709    | 1   | Ring, Retaining (External)  |     |
| 35   | 70003708    | 1   | Ring, Retaining (Internal)  |     |
| 35   | 70001966    | 1   | Bearing   |     |
| 35   | 70004092    | 1   | Endbell (Shaft End)   |     |
| 35   | 70004099    | 1   | Key   |     |
| 35   | 70004676    | 1   | Rotor   |     |
| 35   | 70004686    | 1   | Stator  |     |
| 35   | 70004678    | 1   | Endbell (Rear)  |     |
| 35   | 70004679    | 1   | Cover, Endbell (Rear)   |     |
| 35   | 70004680    | 1   | Enclosure, Wiring   |     |
| 35   | 70004681    | 1   | Cover, Enclosure (50Hz)   |     |
| 35   | 70004682    | 1   | Switch, Reset (Located on Enclosure Cover)                        |     |
| 35   | 70004683    | 1   | Connector, Strain Relief (50Hz) (Located on Enclosure Cover)      |     |
| 35   | 4460224     | 1   | Connector - 6 Position (50Hz) (Located on Enclosure Cover)        |     |
| 35   | 4460294     | 2   | Pin, Male (50Hz) (Located on Enclosure Cover)                     |     |
| 36   | 1001142643  | 1   | Support, Gen Tensioner  |     |
| 37   | 1001142645  | 1   | Belt, Generator (50Hz)  |     |
| 39   | 1001152532  | 1   | Harness, Generator (See Separate Breakdown in ELECTRICAL SECTION) |     |

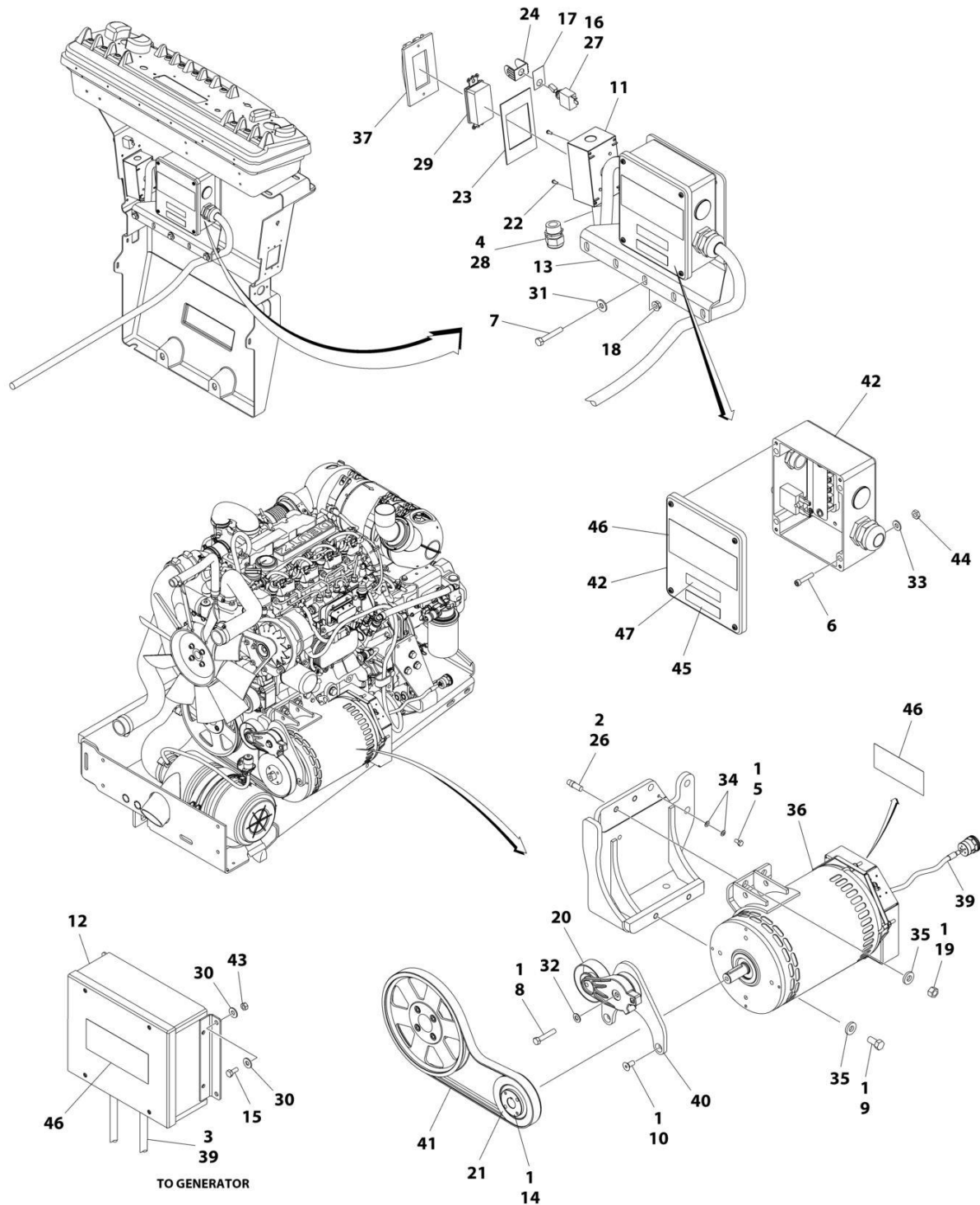
## SECTION 3 - ENGINE

| ITEM | PART NUMBER | QTY | DESCRIPTION  | REV |
|------|-------------|-----|--|-----|
| 40   | 1001177910  | 1   | Section)<br>Bracket  |     |
| 41   | 1001163599  | 2   | Stud   |     |
| 42   | 0641614     | 2   | Bolt 3/8 x 1-3/4   |     |
| 43   | 3311605     | 2   | Nut 3/8  |     |
| 44   | 4751600     | 4   | Washer 3/8   |     |
| 45   | 4751400     | 8   | Washer 1/4   |     |
| 46   | 1001153259  | 1   | Generator Harness (See Separate Breakdown in ELECTRICAL SECTION) |     |



# SECTION 3 - ENGINE

## FIGURE 3-52. 4000W/60HZ GENERATOR INSTALLATION - DEUTZ TD2.9L4 ENGINES



ART\_1001171127

## SECTION 3 - ENGINE

**FIGURE 3-52. 4000W/60HZ GENERATOR INSTALLATION - DEUTZ TD2.9L4 ENGINES**

| ITEM | PART NUMBER | QTY | DESCRIPTION   | REV |
|------|-------------|-----|---|-----|
|      | 1001171127  | Ref | 4000W/60HZ GENERATOR INSTALLATION - DEUTZ TD2.9L4 ENGINES | C   |
| 1    | 0100011     | AR  | Compound, Locking   |     |
| 2    | 0100019     | AR  | Compound, Locking   |     |
| 3    | 0100048     | AR  | Grease, Dielectric  |     |
| 4    | 0100079     | AR  | Sealant   |     |
| 5    | 0641404     | 1   | Bolt 1/4 x 1/2  |     |
| 6    | 3931016     | 4   | Capscrew #10 x 1  |     |
| 7    | 0641516     | 3   | Bolt 5/16 x 2   |     |
| 8    | 0641618     | 1   | Bolt 3/8 x 2-1/4  |     |
| 9    | 0641808     | 2   | Bolt 1/2 x 1  |     |
| 10   | 0741607     | 3   | Screw 3/8 x 7/8   |     |
| 11   | 0860038     | 1   | Box, Switch   |     |
| 12   | 1001138566  | 1   | Box, Control  |     |
| 12   | 70006552    | 1   | Capacitor   |     |
| 12   | 70006553    | 1   | Relay   |     |
| 13   | 0902888     | 1   | Bracket, Junction Box                                     |     |
| 14   | 0962520     | 1   | Bushing, Split  |     |
| 15   | 0641405     | 4   | Bolt 1/4 x 5/8  |     |
| 16   | 2820031     | AR  | Heat Shrink   |     |
| 17   | 3251102     | 1   | Nameplate - Generator                                     |     |
| 18   | 3311508     | 3   | Nut 5/16  |     |
| 19   | 3311801     | 2   | Nut 1/2   |     |
| 20   | 3580317     | 1   | Tensioner, Belt with Pulley                               |     |
| 21   | 3580318     | 1   | Pulley, Generator   |     |
| 22   | 3910606     | 4   | Screw #6 x 3/8  |     |
| 23   | 3960422     | 1   | Gasket, AC Receptacle                                     |     |
| 24   | 4060802     | 1   | Guard, Switch   |     |
| 25   | 4240018     | AR  | Tie-Strap (Not Shown)                                     |     |
| 26   | 1001163599  | 2   | Stud  |     |
| 27   | 4360336     | 1   | Switch, Toggle  |     |
| 28   | 4460071     | 1   | Connector, Strain Relief                                  |     |
| 29   | 4460346     | 1   | Receptacle  |     |
| 30   | 4711400     | AR  | Washer 1/4  |     |
| 31   | 4751500     | 3   | Washer 5/16   |     |
| 32   | 4711600     | 1   | Washer 3/8  |     |
| 33   | 4751000     | 4   | Washer #10  |     |
| 34   | 4791400     | 2   | Washer 1/4  |     |
| 35   | 4891800     | 4   | Washer 1/2  |     |
| 36   | 1001140346  | 1   | Generator Assembly  |     |
| 36   | 70003709    | 1   | Ring, Retaining (External)                                |     |
| 36   | 70003708    | 1   | Ring, Retaining (Internal)                                |     |
| 36   | 70001966    | 1   | Bearing   |     |
| 36   | 70004092    | 1   | Endbell (Shaft End)                                       |     |
| 36   | 70004099    | 1   | Key   |     |
| 36   | 70004676    | 1   | Rotor   |     |
| 36   | 70004687    | 1   | Stator  |     |
| 36   | 70004678    | 1   | Endbell (Rear)  |     |
| 36   | 70004679    | 1   | Cover, Endbell (Rear)                                     |     |
| 36   | 70004680    | 1   | Enclosure, Wiring   |     |

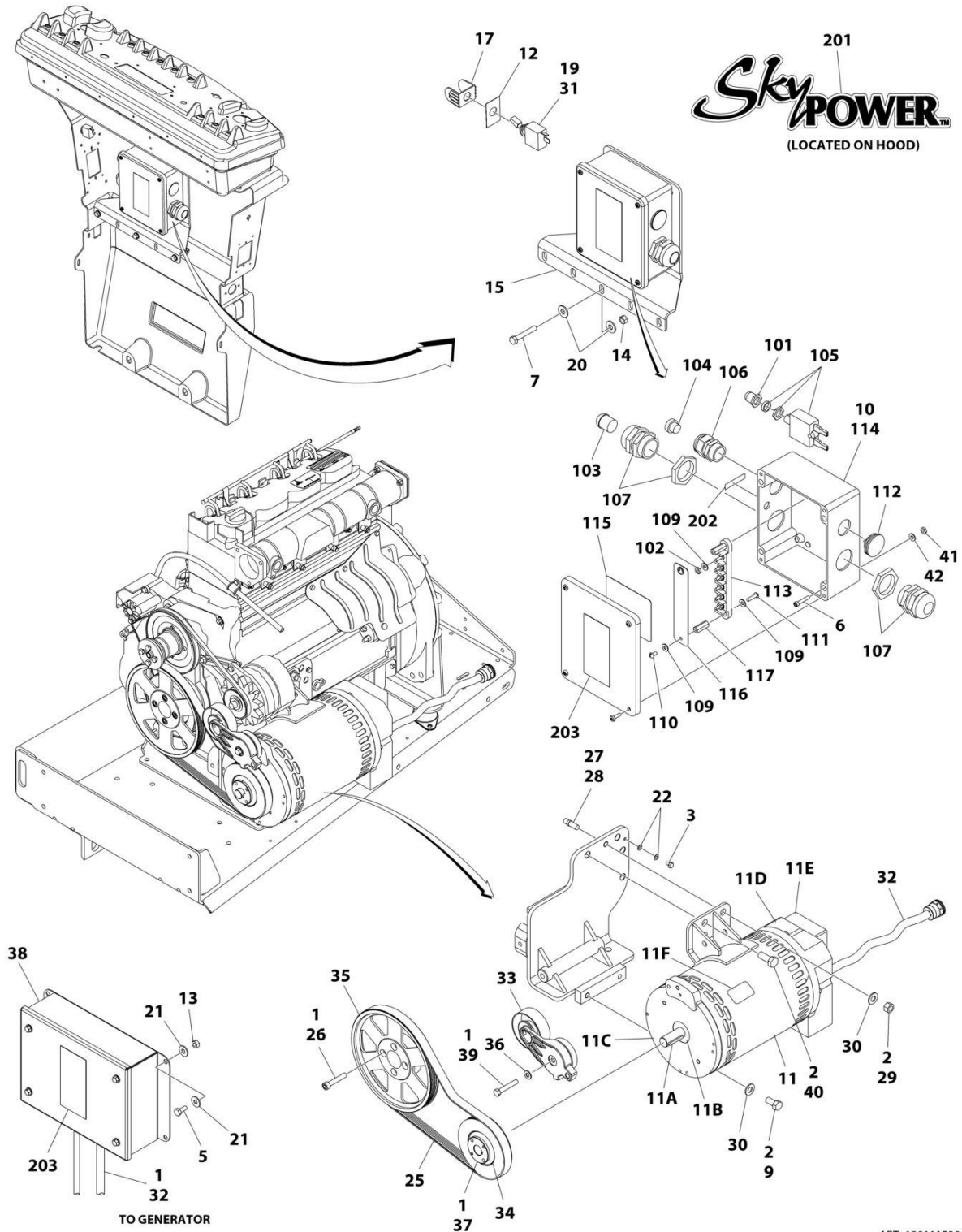
## SECTION 3 - ENGINE

| ITEM | PART NUMBER | QTY | DESCRIPTION   | REV |
|------|-------------|-----|---|-----|
| 36   | 70004685    | 1   | Cover, Enclosure                                      |     |
| 36   | 70004682    | 1   | Switch, Reset (Located on Enclosure Cover)            |     |
| 36   | 70004098    | 1   | Connector, Strain Relief (Located on Enclosure Cover) |     |
| 37   | 1001110873  | 1   | Cover, Receptacle                                     |     |
| 39   | 1001152532  | 1   | Harness, Generator                                    |     |
| 40   | 1001142643  | 1   | Support, Gen Tensioner                                |     |
| 41   | 1001142646  | 1   | Belt, Generator                                       |     |
| 42   | 1001152457  | 1   | Junction Box Assembly                                 |     |
| 42   | 3300396     | 1   | Cover, Breaker  |     |
| 42   | 4360070     | 1   | Breaker, Circuit - 15Amp                              |     |
| 42   | 4460425     | 1   | Connector, Strain Relief (LH Side)                    |     |
| 42   | 4460426     | 1   | Connector, Strain Relief (RH Side)                    |     |
| 42   | 1001152530  | 1   | Block, Terminal                                       |     |
| 42   | 1001158363  | 1   | Cover, Terminal Block                                 |     |
| 42   | 1001153260  | 1   | Decal - Wiring Diagram                                |     |
| 43   | 3311405     | 4   | Nut 1/4   |     |
| 44   | 3311005     | 4   | Nut #10   |     |
| 45   | 1705374     | 1   | Decal - 240V (60Hz)                                   |     |
| 46   | 1705387     | 3   | Decal - Hazardous Voltage                             |     |
| 47   | 3251243     | 1   | Decal - 120V-60Hz                                     |     |



# SECTION 3 - ENGINE

FIGURE 3-53. 7500W/50HZ SKYPOWER GENERATOR INSTALLATION - DEUTZ D2011 ENGINES



ART\_1001115394



## SECTION 3 - ENGINE

**FIGURE 3-53. 7500W/50HZ SKYPOWER GENERATOR INSTALLATION - DEUTZ D2011 ENGINES**

| ITEM | PART NUMBER | QTY | DESCRIPTION  | REV |
|------|-------------|-----|--|-----|
|      | 1001115394  | Ref | 7500W/50HZ SKYPOWER GENERATOR INSTALLATION                             | F   |
| 1    | 0100011     | AR  | Compound, Locking  |     |
| 2    | 0100019     | AR  | Compound, Locking  |     |
| 3    | 0641403     | 1   | Bolt 1/4 x 3/8   |     |
| 5    | 0641405     | 4   | Bolt 1/4 x 5/8   |     |
| 6    | 3931016     | 4   | Capscrew 3/8 x 1   |     |
| 7    | 0641516     | 3   | Bolt 5/16 x 2  |     |
| 9    | 0641808     | 2   | Bolt 1/2 x 1   |     |
| 10   | 1001157525  | 1   | Junction Box Assembly (See Items 101-117 for Breakdown)                |     |
| 11   | 2460048     | 1   | Generator Assembly   |     |
| 11   | 70001100    | 1   | Rotor (Includes p/n 70001384 & 70000863) (Not Shown)                   |     |
| 11   | 70001384    | 1   | Bearing, Ball Radial (Not Shown):                                      |     |
| 11   | 70000863    | 1   | Fan (Not Shown)  |     |
| 11   | 70002088    | 1   | Stator (Not Shown)   |     |
| 11   | 70002297    | 1   | Stud   |     |
| 11   | 70003631    | 1   | Brushholder Assembly (Not Shown)                                       |     |
| 11A  | 70004171    | 1   | Key  |     |
| 11B  | 70001966    | 1   | Bearing, Ball Radial (Located in Belt Tensioner Endbell)               |     |
| 11B  | 70003708    | 1   | Ring, Internal Retaining (Located in Belt Tensioner Endbell)           |     |
| 11B  | 70003709    | 1   | Ring, External Retaining (Located in Belt Tensioner Endbell)           |     |
| 11C  | 70001953    | 1   | Endbell, Belt Tensioner  |     |
| 11D  | 70004169    | 1   | Endbell, Brush Block   |     |
| 11E  | 70004169    | 1   | Shroud   |     |
| 11E  | See Note    | NSS | Insulator, Endbell (Note: Not Available for Purchase)                  |     |
| 11E  | 7027799     | 1   | Block, Connector 6 Position (Not Shown)                                |     |
| 11E  | 70002460    | 1   | Nut, Brass (Attaches p/n 7027799 to Cover) (Not Shown)                 |     |
| 11E  | 7024485     | 1   | Breaker, Circuit 30Amp (Not Shown)                                     |     |
| 11E  | 70001696    | 1   | Boot, Breaker (Not Shown)  |     |
| 11E  | 7026626     | 1   | Connector, 6 Position (Includes Seal) (Not Shown - Plugs into Item 36) |     |
| 11E  | 7026597     | 1   | Connector, with Leads (Not Shown)                                      |     |
| 11E  | 7026188     | 1   | Clamp, Cable (Not Shown)   |     |
| 11E  | 70004169    | 1   | Plate, End Panel   |     |
| 11E  | 70001974    | 1   | Decal - Terminal Connections   |     |
| 11F  | 70001973    | 1   | Decal - Warning Moving Parts   |     |
| 12   | 3252764     | 1   | Nameplate  |     |
| 13   | 3311405     | 4   | Nut 1/4  |     |
| 14   | 3311505     | 3   | Nut 5/16   |     |
| 15   | 0902888     | 1   | Bracket, Box Mounting  |     |
| 17   | 4060802     | 1   | Guard, Switch  |     |
| 19   | 4360336     | 1   | Switch, Toggle   |     |
| 20   | 4711500     | 6   | Washer 5/16  |     |
| 21   | 4751400     | 8   | Washer 1/4   |     |
| 22   | 4791400     | 2   | Washer 1/4   |     |
| 25   | 0480126     | 1   | Belt, Drive  |     |
| 26   | 4032015     | 4   | Capscrew M10 X 55  |     |
| 27   | 4300157     | 1   | Stud   |     |
| 28   | 0100062     | AR  | Adhesive   |     |
| 29   | 3311801     | 1   | Nut 1/2  |     |
| 30   | 4711800     | 3   | Washer 1/2   |     |

## SECTION 3 - ENGINE

| ITEM | PART NUMBER | QTY | DESCRIPTION  | REV |
|------|-------------|-----|--|-----|
| 31   | 2820031     | 1   | Heat Shrink  |     |
| 32   | 4922925     | 1   | Harness, Generator   |     |
| 33   | 3580317     | 1   | Tensioner, Belt with Pulley  |     |
| 34   | 3580319     | 1   | Pulley   |     |
| 35   | 3580320     | 1   | Pulley   |     |
| 36   | 4711600     | 1   | Washer 3/8   |     |
| 37   | 0962520     | 1   | Bushing, Split Taper   |     |
| 38   | 0861572     | 1   | Control Box Assembly   |     |
| 38   | 7024488     | 1   | Card, Circuit - Generator Power  |     |
| 38   | See Note    | NSS | Fuse (Note: Not Available - Purchase Locally)  |     |
| 38   | 7024489     | 1   | Card, Circuit - Control  |     |
| 38   | 70000619    | 1   | Harness, Control Box (Internal)  |     |
| 38   |             | Ref | Note: Same Circuit Card (P/N 7024489) is used for both 60Hz & 50Hz Specs. When replacing card, rocker switch on card must be set for required application. |     |
| 39   | 0641618     | 1   | Bolt 3/8 x 2-1/4   |     |
| 40   | 0771415     | 1   | Bolt M14 x 35 Grade 10.9   |     |
| 41   | 3311005     | 4   | Nut #10  |     |
| 42   | 4751000     | 4   | Washer #10   |     |
|      | 1001157525  | Ref | JUNCTION BOX ASSEMBLY  | B   |
| 101  | 3300396     | 1   | Cover, Fuse  |     |
| 102  | 3311001     | 6   | Nut #10  |     |
| 103  | 3520189     | 1   | Plug   |     |
| 104  | 3520192     | 1   | Plug   |     |
| 105  | 4360070     | 1   | Circuit Breaker - 15Amp  |     |
| 106  | 4460425     | 1   | Connector, Strain Relief   |     |
| 107  | 4460426     | 2   | Connector, Strain Relief   |     |
| 109  | 4711000     | 10  | Washer, #10  |     |
| 110  | 10702077    | 2   | Screw #10 x 3/8  |     |
| 111  | 10702082    | 2   | Screw #10 x 3/4  |     |
| 112  | 1001152525  | 1   | Plug   |     |
| 113  | 1001157520  | 1   | Block, Terminal  |     |
| 114  | 1001157521  | 1   | Box, Junction  |     |
| 115  | 1001157528  | 1   | Decal - Wiring Schematic   |     |
| 116  | 1001158007  | 1   | Cover, PVC   |     |
| 117  | 1001158008  | 2   | Stand-Off  |     |
|      | 0272589     | Ref | DECAL INSTALLATION   | A   |
| 201  | 1705460     | 2   | Decal - SkyPower   |     |
| 202  | 1705461     | 1   | Decal - 240V - 3 Phase   |     |
| 203  | 1705489     | 2   | Decal, Hazardous Voltage   |     |
|      | 1001157769  | Ref | ELECTRICAL DIAGRAM COMPONENTS  | B   |
| 301  | 1001152429  | 1   | Generator Harness (Not Shown - See Separate Breakdown in ELECTRICAL SECTION)   |     |
| 304  | 4922641     | 1   | Switch Harness (Not Shown)   |     |





## SECTION 3 - ENGINE

**FIGURE 3-54. 7500W/60HZ SKYPOWER GENERATOR INSTALLATION - DEUTZ D2011 ENGINES**

| ITEM | PART NUMBER | QTY | DESCRIPTION  | REV |
|------|-------------|-----|--|-----|
|      | 1001115388  | Ref | 7500W SKYPOWER GENERATOR INSTALLATION                                  | F   |
| 1    | 0100011     | AR  | Compound, Locking  |     |
| 2    | 0100019     | AR  | Compound, Locking  |     |
| 4    | 0641404     | 1   | Bolt 1/4 x 1/2   |     |
| 5    | 0641405     | 4   | Bolt 1/4 x 5/8   |     |
| 6    | 3931016     | 4   | Capscrew 3/8 x 1   |     |
| 7    | 0641516     | 3   | Bolt 5/16 x 2  |     |
| 8    | 0902888     | 1   | Bracket, Box Mounting  |     |
| 9    | 0641808     | 2   | Bolt 1/2 x 1   |     |
| 10   | 0860038     | 1   | Box, Switch  |     |
| 11   | 1001157592  | 1   | Junction Box Assembly (See Items 101-121 for Breakdown)                |     |
| 12   | 2460048     | 1   | Generator Assembly   |     |
| 12   | 70001100    | 1   | Rotor (Includes p/n 70001384 & 70000863) (Not Shown)                   |     |
| 12   | 70001384    | 1   | Bearing, Ball Radial (Not Shown):                                      |     |
| 12   | 70000863    | 1   | Fan (Not Shown)  |     |
| 12   | 70002088    | 1   | Stator (Not Shown)   |     |
| 12   | 70002297    | 1   | Stud   |     |
| 12   | 70003631    | 1   | Brushholder Assembly (Not Shown)                                       |     |
| 12A  | 70004171    | 1   | Key  |     |
| 12B  | 70001966    | 1   | Bearing, Ball Radial (Located in Belt Tensioner Endbell)               |     |
| 12B  | 70003708    | 1   | Ring, Internal Retaining (Located in Belt Tensioner Endbell)           |     |
| 12B  | 70003709    | 1   | Ring, External Retaining (Located in Belt Tensioner Endbell)           |     |
| 12C  | 70001953    | 1   | Endbell, Belt Tensioner  |     |
| 12D  | 70004169    | 1   | Endbell, Brush Block   |     |
| 12E  | 70004169    | 1   | Shroud   |     |
| 12E  | See Note    | NSS | Insulator, Endbell (Note: Not Available for Purchase)                  |     |
| 12E  | 7027799     | 1   | Block, Connector 6 Position (Not Shown)                                |     |
| 12E  | 70002460    | 1   | Nut, Brass (Attaches p/n 7027799 to Cover) (Not Shown)                 |     |
| 12E  | 7024485     | 1   | Breaker, Circuit 30Amp (Not Shown)                                     |     |
| 12E  | 70001696    | 1   | Boot, Breaker (Not Shown)  |     |
| 12E  | 7026626     | 1   | Connector, 6 Position (Includes Seal) (Not Shown - Plugs into Item 36) |     |
| 12E  | 7026597     | 1   | Connector, with Leads (Not Shown)                                      |     |
| 12E  | 7026188     | 1   | Clamp, Cable (Not Shown)   |     |
| 12E  | 70004169    | 1   | Plate, End Panel   |     |
| 12E  | 70001974    | 1   | Decal - Terminal Connections   |     |
| 12F  | 70001973    | 1   | Decal - Warning Moving Parts   |     |
| 13   | 3252764     | 1   | Nameplate  |     |
| 14   | 3311405     | 4   | Nut 1/4  |     |
| 15   | 3311508     | 3   | Nut, Flange 5/16   |     |
| 18   | 3910606     | 4   | Screw #6 x 3/8   |     |
| 19   | 3960422     | 1   | Gasket   |     |
| 20   | 1001110873  | 1   | Cover, Receptacle  |     |
| 21   | 4060802     | 1   | Guard, Switch  |     |
| 24   | 4360336     | 1   | Switch, Toggle   |     |
| 25   | 4460346     | 1   | Receptacle, Female (110-120V)  |     |
| 27   | 4751500     | 3   | Washer 5/16  |     |
| 28   | 4751400     | 8   | Washer 1/4   |     |
| 30   | 4791400     | 2   | Washer 1/4   |     |
| 33   | 0480129     | 1   | Belt, Drive  |     |

## SECTION 3 - ENGINE

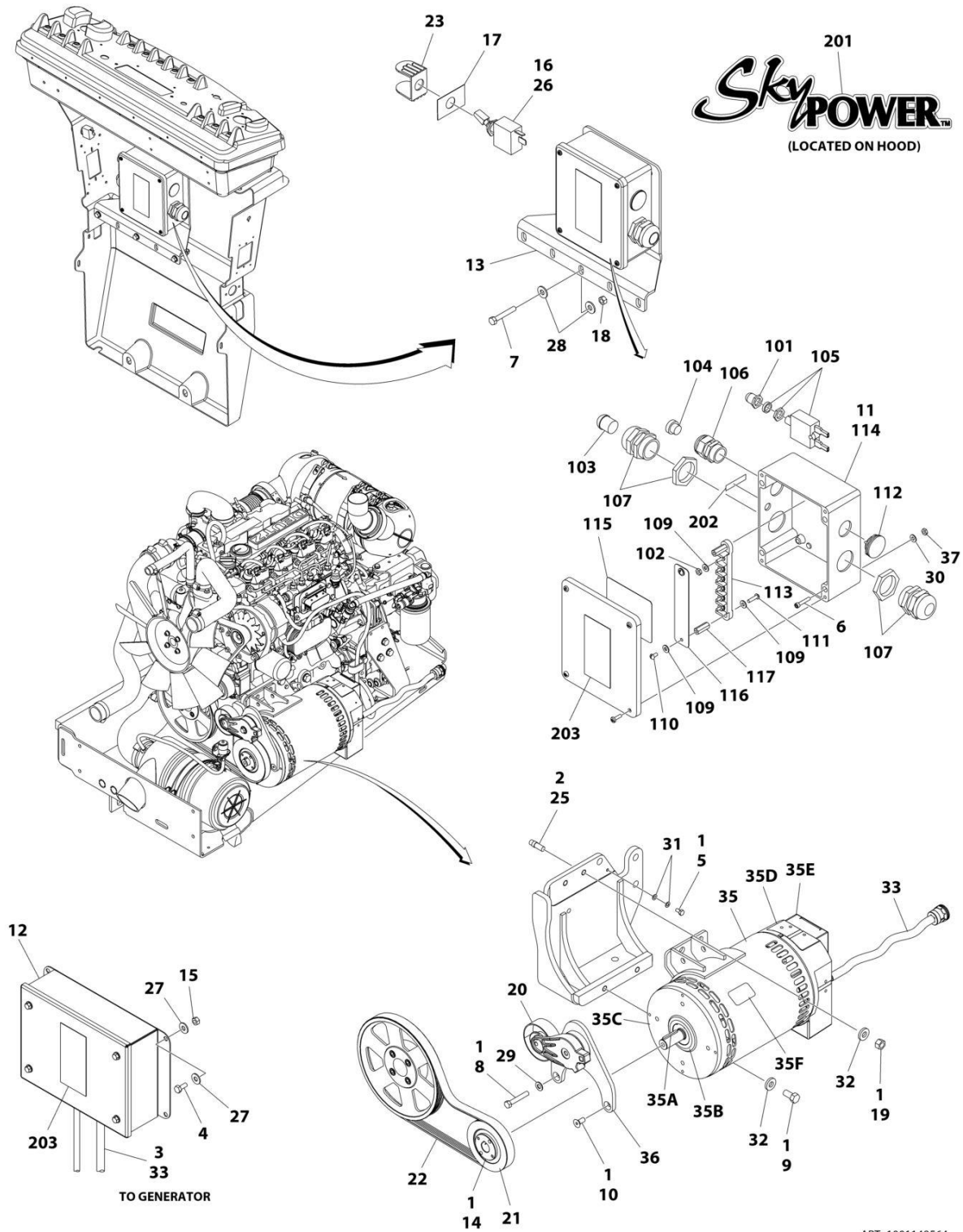
| ITEM | PART NUMBER | QTY             | DESCRIPTION  | REV |
|------|-------------|-----------------|--|-----|
| 34   | 4032015     | 4               | Capscrew M10 x 55  |     |
| 35   | 4300157     | 1               | Stud   |     |
| 36   | 3311801     | 1               | Nut 1/2  |     |
| 37   | 0100062     | AR              | Adhesive   |     |
| 38   | 2820031     | 1               | Heat Shrink  |     |
| 39   | 4711800     | 3               | Washer 1/2   |     |
| 41   | 4460071     | 1               | Connector, Strain Relief   |     |
| 42   | 3580317     | 1               | Tensioner, Belt with Pulley  |     |
| 43   | 3580320     | 1               | Pulley   |     |
| 44   | 4711600     | 1               | Washer 3/8   |     |
| 45   | 4922925     | 1               | Harness, Generator   |     |
| 46   | 3580318     | 1               | Pulley   |     |
| 47   | 0641618     | 1               | Bolt 3/8 x 2-1/4   |     |
| 48   | 0962520     | 1               | Bushing, Split Taper   |     |
| 49   | 0861538     | 1               | Control Box Assembly   |     |
| 49   | 7024488     | 1               | Card, Circuit - Generator Power  |     |
| 49   | See Note    | 1               | Fuse (Note: Not Available - Purchase Locally)  |     |
| 49   | 70000619    | 1               | Harness, Control Box (Internal)  |     |
| 49   | 7024489     | 1               | Card, Circuit - Control  |     |
| 49   |             | Ref             | Note: Same Circuit Card (P/N 7024489) is used for both 60Hz & 50Hz Specs. When replacing card, rocker switch on card must be set for required application. |     |
| 50   | 0771415     | 1               | Bolt M14 x 35 Grade 10.9   |     |
| 52   | 0100020     | AR              | Sealant  |     |
| 53   | 3311005     | 4               | Nut #10  |     |
| 54   | 4751000     | 4               | Washer #10   |     |
|      | 1001157592  | Ref             | JUNCTION BOX ASSEMBLY  |     |
| 101  | 1060343     | 1.5 ft<br>/.46m | Cable, Electrical 10/4   |     |
| 102  | 1001179154  | 2.5 ft<br>/76cm | Cable, Electrical 12/3   |     |
| 103  | 1671092     | 1               | Cover  |     |
| 104  | 3300396     | 1               | Cover, Fuse  |     |
| 105  | 3311001     | 6               | Nut #10  |     |
| 106  | 4360070     | 1               | Circuit Breaker - 15Amp  |     |
| 108  | 4460425     | 1               | Connector, Strain Relief   |     |
| 109  | 4460426     | 2               | Connector, Strain Relief   |     |
| 111  | 4460963     | 1               | Connector  |     |
| 112  | 4711000     | 10              | Washer, #10  |     |
| 114  | 10702077    | 2               | Screw #10 x 3/8  |     |
| 115  | 10702082    | 2               | Screw #10 x 3/4  |     |
| 116  | 1001152525  | 1               | Plug   |     |
| 117  | 1001157520  | 1               | Block, Terminal  |     |
| 118  | 1001157521  | 1               | Box, Junction  |     |
| 119  | 1001157528  | 1               | Decal - Wiring Schematic   |     |
| 120  | 1001158007  | 1               | Cover, PVC   |     |
| 121  | 1001158008  | 2               | Stand-Off  |     |
|      | 0272435     | Ref             | DECAL INSTALLATION   | D   |
| 201  | 1705460     | 2               | Decal - SkyPower   |     |
| 202  | 3251243     | 1               | Decal - 120V - 60Hz (60Hz Spec Only) (Not Shown - Located at Platform Receptacle)  |     |
| 203  | 1705375     | 1               | Decal - 240V - 3 Phase   |     |

## SECTION 3 - ENGINE

| ITEM | PART NUMBER | QTY | DESCRIPTION  | REV |
|------|-------------|-----|--|-----|
| 204  | 1705387     | 3   | Decal, Hazardous Voltage   | B   |
|      | 1001157769  | Ref | ELECTRICAL DIAGRAM COMPONENTS  |     |
| 301  | 1001152429  | 1   | Generator Harness (Not Shown - See Separate Breakdown in ELECTRICAL SECTION) |     |
| 304  | 4922641     | 1   | Switch Harness (Not Shown)   |     |

# SECTION 3 - ENGINE

FIGURE 3-55. 7500W/50HZ SKYPOWER GENERATOR INSTALLATION - DEUTZ TD2.9L4 AND DEUTZ TD2.9L4 (STAGE V) ENGINES



ART\_1001148564



## SECTION 3 - ENGINE

**FIGURE 3-55. 7500W/50HZ SKYPOWER GENERATOR INSTALLATION - DEUTZ TD2.9L4 AND DEUTZ TD2.9L4 (STAGE V) ENGINES**

| ITEM | PART NUMBER | QTY | DESCRIPTION  | REV |
|------|-------------|-----|--|-----|
|      | 1001148564  | Ref | 7500W SKYPOWER GENERATOR INSTALLATION  | F   |
| 1    | 0100011     | AR  | Compound, Locking  |     |
| 2    | 0100019     | AR  | Compound, Locking  |     |
| 3    | 0100048     | AR  | Compound, Silicone   |     |
| 4    | 0641405     | 4   | Bolt 1/4 x 5/8   |     |
| 5    | 0641404     | 1   | Bolt 1/4 x 1/2   |     |
| 6    | 3931016     | 4   | Capscrew 3/8 x 1   |     |
| 7    | 0641516     | 3   | Bolt 5/16 x 2  |     |
| 8    | 0641618     | 1   | Bolt 3/8 x 2-1/4   |     |
| 9    | 0641808     | 2   | Bolt 1/2 x 1   |     |
| 10   | 0741607     | 3   | Screw 3/8 x 7/8  |     |
| 11   | 1001157525  | 1   | Junction Box Assembly (See Items 101-117 for Breakdown)  |     |
| 12   | 0861572     | 1   | Control Box Assembly   |     |
| 12   | 7024488     | 1   | Card, Circuit - Generator Power  |     |
| 12   | See Note    | NSS | Fuse (Note: Not Available - Purchase Locally)  |     |
| 12   | 7024489     | 1   | Card, Circuit - Control  |     |
| 12   | 70000619    | 1   | Harness, Control Box (Internal)  |     |
|      |             | Ref | Note: Same Circuit Card (P/N 7024489) is used for both 60Hz and 50Hz. When replacing card, rocker switch on card must be set for required application. |     |
| 13   | 0902888     | 1   | Bracket, Box Mounting  |     |
| 14   | 0962520     | 1   | Bushing, Split Taper   |     |
| 15   | 3311405     | 4   | Nut 1/4  |     |
| 16   | 2820031     | 1   | Heat Shrink  |     |
| 17   | 3252764     | 1   | Nameplate  |     |
| 18   | 3311505     | 3   | Nut 5/16   |     |
| 19   | 3311801     | 2   | Nut 1/2  |     |
| 20   | 3580317     | 1   | Tensioner, Belt with Pulley  |     |
| 21   | 3580319     | 1   | Pulley   |     |
| 22   | 1001142645  | 1   | Belt, Drive  |     |
| 23   | 4060802     | 1   | Guard, Switch  |     |
| 24   | 4240018     | AR  | Tie-Strap (Not Shown)  |     |
| 25   | 1001163599  | 2   | Stud   |     |
| 26   | 4360336     | 1   | Switch, Toggle   |     |
| 27   | 4751400     | 8   | Washer 1/4   |     |
| 28   | 4711500     | 6   | Washer 5/16  |     |
| 29   | 4711600     | 1   | Washer 3/8   |     |
| 30   | 4751000     | 4   | Washer #10   |     |
| 31   | 4791400     | 2   | Washer 1/4   |     |
| 32   | 4891800     | 4   | Washer 1/2 Hardened  |     |
| 33   | 4922925     | 1   | Harness, Generator   |     |
| 35   | 1001212223  | Ref | Generator Assembly   |     |
| 35   | 70001100    | 1   | Rotor (Includes p/n 70001384 & 70000863) (Not Shown)   |     |
| 35   | 70001384    | 1   | Bearing, Ball Radial (Not Shown):  |     |
| 35   | 70000863    | 1   | Fan (Not Shown)  |     |
| 35   | 70006093    | 1   | Stator (Not Shown)   |     |
| 35   | 70002297    | 1   | Stud   |     |
| 35   | 70003631    | 1   | Brushholder Assembly (Not Shown)   |     |
| 35A  | 70004099    | 1   | Key  |     |

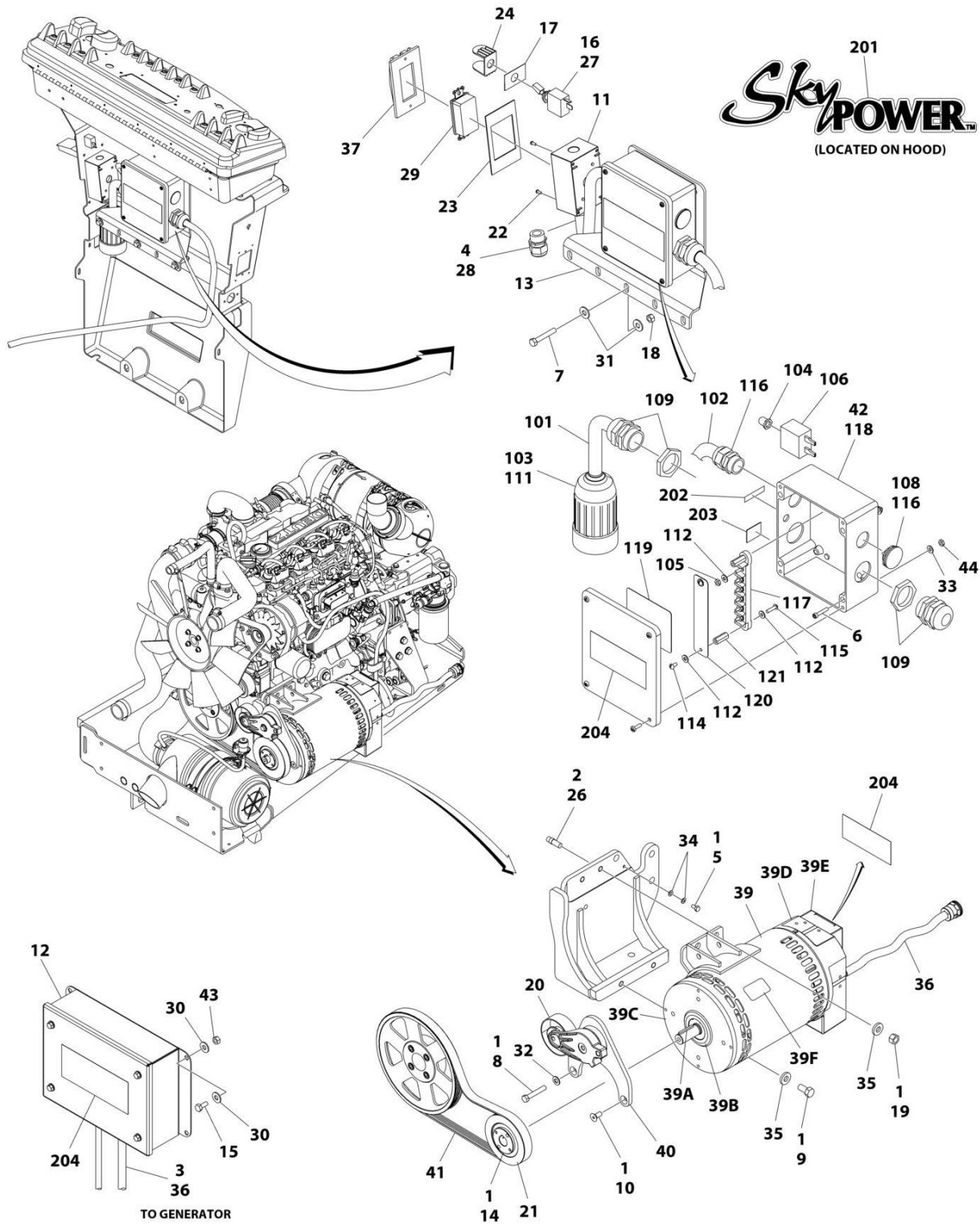
## SECTION 3 - ENGINE

| ITEM | PART NUMBER | QTY | DESCRIPTION  | REV |
|------|-------------|-----|--|-----|
| 35B  | 70001966    | 1   | Bearing, Ball Radial (Located in Belt Tensioner Endbell)                     |     |
| 35B  | 70003708    | 1   | Ring, Internal Retaining (Located in Belt Tensioner Endbell)                 |     |
| 35B  | 70003709    | 1   | Ring, External Retaining (Located in Belt Tensioner Endbell)                 |     |
| 35C  | 70004092    | 1   | Endbell, Belt Tensioner  |     |
| 35D  | 70004094    | 1   | Endbell, Brush Block   |     |
| 35E  | 70006094    | 1   | Shroud   |     |
| 35E  | 70002291    | 1   | Insulator, Endbell   |     |
| 35E  | 7027799     | 1   | Block, Connector 6 Position (Not Shown)                                      |     |
| 35E  | 70002460    | 1   | Nut, Brass (Attaches p/n 7027799 to Cover) (Not Shown)                       |     |
| 35E  | 70006095    | 1   | Breaker, Circuit 30Amp (Not Shown)   |     |
| 35E  | 70006096    | 1   | Boot, Breaker Options (Not Shown):   |     |
| 35E  | 7026626     | 1   | Connector, 6 Position (Includes Seal) (Not Shown - Plugs into Item 36)       |     |
| 35E  | 7026597     | 1   | Connector, with Leads (Not Shown)  |     |
| 35E  | 70004098    | 1   | Clamp, Cable (Not Shown)   |     |
| 35E  | 70006097    | 1   | Plate, End Panel   |     |
| 35E  | 70001974    | 1   | Decal - Terminal Connections   |     |
| 35F  | 70001973    | 1   | Decal - Warning Moving Parts   |     |
| 36   | 1001142643  | 1   | Support  |     |
| 37   | 3311005     | 4   | Nut #10  |     |
|      | 1001157525  | Ref | JUNCTION BOX ASSEMBLY  | B   |
| 101  | 3300396     | 1   | Cover, Fuse  |     |
| 102  | 3311001     | 6   | Nut #10  |     |
| 103  | 3520189     | 1   | Plug   |     |
| 104  | 3520192     | 1   | Plug   |     |
| 105  | 4360070     | 1   | Circuit Breaker - 15Amp  |     |
| 106  | 4460425     | 1   | Connector, Strain Relief   |     |
| 107  | 4460426     | 2   | Connector, Strain Relief   |     |
| 109  | 4711000     | 10  | Washer, #10  |     |
| 110  | 10702077    | 2   | Screw #10 x 3/8  |     |
| 111  | 10702082    | 2   | Screw #10 x 3/4  |     |
| 112  | 1001152525  | 1   | Plug   |     |
| 113  | 1001157520  | 1   | Block, Terminal  |     |
| 114  | 1001157521  | 1   | Box, Junction  |     |
| 115  | 1001157528  | 1   | Decal - Wiring Schematic   |     |
| 116  | 1001158007  | 1   | Cover, PVC   |     |
| 117  | 1001158008  | 2   | Stand-Off  |     |
|      | 0272589     | Ref | DECAL INSTALLATION   | A   |
| 201  | 1705460     | 2   | Decal - SkyPower   |     |
| 203  | 1705461     | 1   | Decal - 240V - 3 Phase   |     |
| 204  | 1705489     | 2   | Decal, Hazardous Voltage   |     |
|      | 1001157770  | Ref | ELECTRICAL DIAGRAM COMPONENTS  | A   |
| 301  | 1001119968  | 1   | Generator Harness (Not Shown - See Separate Breakdown in ELECTRICAL SECTION) |     |
| 304  | 4922641     | 1   | Switch Harness (Not Shown)   |     |



# SECTION 3 - ENGINE

FIGURE 3-56. 7500W/60HZ SKYPOWER GENERATOR INSTALLATION - DEUTZ TD2.9L4 AND DEUTZ TD2.9L4 (STAGE V) ENGINES



ART\_1001148563

## SECTION 3 - ENGINE

**FIGURE 3-56. 7500W/60HZ SKYPOWER GENERATOR INSTALLATION - DEUTZ TD2.9L4 AND DEUTZ TD2.9L4 (STAGE V) ENGINES**

| ITEM | PART NUMBER | QTY | DESCRIPTION  | REV |
|------|-------------|-----|--|-----|
|      | 1001148563  | Ref | 7500W SKYPOWER GENERATOR INSTALLATION  | F   |
| 1    | 0100011     | AR  | Compound, Locking  |     |
| 2    | 0100019     | AR  | Compound, Locking  |     |
| 3    | 0100048     | AR  | Compound, Silicone   |     |
| 4    | 0100079     | AR  | Sealant  |     |
| 5    | 0641404     | 1   | Bolt 1/4 x 1/2   |     |
| 6    | 3931016     | 4   | Capscrew 3/8 x 1   |     |
| 7    | 0641516     | 3   | Bolt 5/16 x 2  |     |
| 8    | 0641618     | 1   | Bolt 3/8 x 2-1/4   |     |
| 9    | 0641808     | 2   | Bolt 1/2 x 1   |     |
| 10   | 0741607     | 3   | Screw 3/8 x 7/8  |     |
| 11   | 0860038     | 1   | Box, Switch  |     |
| 12   | 0861538     | 1   | Control Box Assembly   |     |
| 12   | 7024488     | 1   | Card, Circuit - Generator Power  |     |
| 12   | See Note    | 1   | Fuse (Note: Not Available - Purchase Locally)  |     |
| 12   | 70000619    | 1   | Harness, Control Box (Internal)  |     |
| 12   | 7024489     | 1   | Card, Circuit - Control  |     |
| 12   |             | Ref | Note: Same Circuit Card (P/N 7024489) is used for both 60Hz & 50Hz Specs. When replacing card, rocker switch on card must be set for required application. |     |
| 13   | 0902888     | 1   | Bracket, Box Mounting  |     |
| 14   | 0962520     | 1   | Bushing, Split Taper   |     |
| 15   | 0641405     | 4   | Bolt 1/4 x 5/8   |     |
| 16   | 2820031     | 1   | Heat Shrink  |     |
| 17   | 3252764     | 1   | Nameplate  |     |
| 18   | 3311505     | 3   | Nut 5/16   |     |
| 19   | 3311801     | 2   | Nut 1/2  |     |
| 20   | 3580317     | 1   | Tensioner, Belt with Pulley  |     |
| 21   | 3580318     | 1   | Pulley   |     |
| 22   | 3910606     | 4   | Screw #6 x 3/8   |     |
| 23   | 3960422     | 1   | Gasket   |     |
| 24   | 4060802     | 1   | Guard, Switch  |     |
| 25   | 4240018     | AR  | Tie-Strap (Not Shown)  |     |
| 26   | 1001163599  | 2   | Stud   |     |
| 27   | 4360336     | 1   | Switch, Toggle   |     |
| 28   | 4460071     | 1   | Connector, Strain Relief   |     |
| 29   | 4460346     | 1   | Receptacle, Female (110-120V)  |     |
| 30   | 4711400     | 8   | Washer 1/4   |     |
| 31   | 4711500     | 6   | Washer 5/16  |     |
| 32   | 4711600     | 1   | Washer 3/8   |     |
| 33   | 4751000     | 4   | Washer #10   |     |
| 34   | 4791400     | 2   | Washer 1/4   |     |
| 35   | 4891800     | 4   | Washer 1/2 Hardened  |     |
| 36   | 4922925     | 1   | Harness, Generator   |     |
| 37   | 1001110873  | 1   | Cover, Receptacle  |     |
| 39   | 1001212223  | Ref | Generator Assembly   |     |
| 39   | 70001100    | 1   | Rotor (Includes p/n 70001384 & 70000863) (Not Shown)   |     |
| 39   | 70001384    | 1   | Bearing, Ball Radial (Not Shown):  |     |
| 39   | 70000863    | 1   | Fan (Not Shown)  |     |

## SECTION 3 - ENGINE

| ITEM | PART NUMBER | QTY             | DESCRIPTION   | REV |
|------|-------------|-----------------|---|-----|
| 39   | 70006093    | 1               | Stator (Not Shown)  |     |
| 39   | 70002297    | 1               | Stud  |     |
| 39   | 70003631    | 1               | Brush holder Assembly (Not Shown)   |     |
| 39A  | 70004099    | 1               | Key   |     |
| 39B  | 70001966    | 1               | Bearing, Ball Radial (Located in Belt Tensioner Endbell)                          |     |
| 39B  | 70003708    | 1               | Ring, Internal Retaining (Located in Belt Tensioner Endbell)                      |     |
| 39B  | 70003709    | 1               | Ring, External Retaining (Located in Belt Tensioner Endbell)                      |     |
| 39C  | 70004092    | 1               | Endbell, Belt Tensioner   |     |
| 39D  | 70004094    | 1               | Endbell, Brush Block  |     |
| 39E  | 70006094    | 1               | Shroud  |     |
| 39E  | 70002291    | 1               | Insulator, Endbell  |     |
| 39E  | 7027799     | 1               | Block, Connector 6 Position (Not Shown)   |     |
| 39E  | 70002460    | 1               | Nut, Brass (Attaches p/n 7027799 to Cover) (Not Shown)                            |     |
| 39E  | 70006095    | 1               | Breaker, Circuit 30Amp (Not Shown)  |     |
| 39E  | 70006096    | 1               | Boot, Breaker Options (Not Shown):  |     |
| 39E  | 7026626     | 1               | Connector, 6 Position (Includes Seal) (Not Shown - Plugs into Item 36)            |     |
| 39E  | 7026597     | 1               | Connector, with Leads (Not Shown)   |     |
| 39E  | 70004098    | 1               | Clamp, Cable (Not Shown)  |     |
| 39E  | 70006097    | 1               | Plate, End Panel  |     |
| 39E  | 70001974    | 1               | Decal - Terminal Connections  |     |
| 39F  | 70001973    | 1               | Decal - Warning Moving Parts  |     |
| 40   | 1001142643  | 1               | Support   |     |
| 41   | 1001142646  | 1               | Belt, Drive   |     |
| 42   | 1001157592  | 1               | Junction Box Assembly (See Items 101-121 for Breakdown)                           |     |
| 43   | 3311405     | 4               | Nut 1/4   |     |
| 44   | 3311005     | 4               | Nut #10   |     |
|      | 1001157592  | Ref             | JUNCTION BOX ASSEMBLY   | D   |
| 101  | 1060343     | 1.5 ft<br>/.46m | Cable, Electrical 10/4  |     |
| 102  | 1001179154  | 2.5 ft<br>/76cm | Cable, Electrical 12/3  |     |
| 103  | 1671092     | 1               | Cover   |     |
| 104  | 3300396     | 1               | Cover, Fuse   |     |
| 105  | 3311001     | 6               | Nut #10   |     |
| 106  | 4360070     | 1               | Circuit Breaker - 15Amp   |     |
| 108  | 4460425     | 1               | Connector, Strain Relief  |     |
| 109  | 4460426     | 2               | Connector, Strain Relief  |     |
| 111  | 4460963     | 1               | Connector   |     |
| 112  | 4711000     | 10              | Washer, #10   |     |
| 114  | 10702077    | 2               | Screw #10 x 3/8   |     |
| 115  | 10702082    | 2               | Screw #10 x 3/4   |     |
| 116  | 1001152525  | 1               | Plug  |     |
| 117  | 1001157520  | 1               | Block, Terminal   |     |
| 118  | 1001157521  | 1               | Box, Junction   |     |
| 119  | 1001157528  | 1               | Decal - Wiring Schematic  |     |
| 120  | 1001158007  | 1               | Cover, PVC  |     |
| 121  | 1001158008  | 2               | Stand-Off   |     |
|      | 0272435     | Ref             | DECAL INSTALLATION  | D   |
| 201  | 1705460     | 2               | Decal - SkyPower  |     |
| 202  | 3251243     | 1               | Decal - 120V - 60Hz (60Hz Spec Only) (Not Shown - Located at Platform Receptacle) |     |

## SECTION 3 - ENGINE

| ITEM | PART NUMBER | QTY | DESCRIPTION  | REV |
|------|-------------|-----|--|-----|
| 203  | 1705375     | 1   | Decal - 240V - 3 Phase   | A   |
| 204  | 1705387     | 3   | Decal, Hazardous Voltage   |     |
|      | 1001157770  | Ref | ELECTRICAL DIAGRAM COMPONENTS  |     |
| 301  | 1001119968  | 1   | Generator Harness (Not Shown - See Separate Breakdown in ELECTRICAL SECTION) |     |
| 303  | 4922641     | 1   | Switch Harness (Not Shown)   |     |





## SECTION 3 - ENGINE

**FIGURE 3-57. 7500W/60HZ SKYPOWER GENERATOR INSTALLATION – FORD DF 2.5L ENGINES**

| ITEM | PART NUMBER | QTY | DESCRIPTION  | REV |
|------|-------------|-----|--|-----|
|      | 1001219618  | Ref | 7500W SKYPOWER GENERATOR INSTALLATION - FORD ENGINES                 | D   |
|      |             | Ref | Note: See ELECTRICAL SECTION for Boom Cable Components.              |     |
| 1    | 0100011     | AR  | Compound, Locking  |     |
| 2    | 0100019     | AR  | Compound, Locking  |     |
| 3    | 0641405     | 4   | Bolt 1/4 x 5/8   |     |
| 4    | 0760610     | 2   | Bolt M6 x 20   |     |
| 5    | 0641516     | 3   | Bolt 5/16 x 2  |     |
| 6    | 0741607     | 3   | Screw 3/8 x 7/8  |     |
| 7    | 0761018     | 1   | Bolt M10 x 50  |     |
| 9    | 0860038     | 1   | Box, Switch  |     |
| 10   | 0861538     | 1   | Control Box Assembly   |     |
| 10   | 7024488     | 1   | Card, Circuit - Generator Power                                      |     |
| 10   | See Note    | 1   | Fuse (Note: Not Available - Purchase Locally)                        |     |
| 10   | 7024489     | 1   | Card, Circuit - Control  |     |
| 10   | 70000619    | 1   | Harness, Circuit Card  |     |
| 11   | 0902888     | 1   | Bracket, Box Mounting  |     |
| 12   | 0962520     | 1   | Bushing, Split Taper   |     |
| 13   | 2820031     | 1   | Heat Shrink  |     |
| 14   | 3252764     | 1   | Nameplate - AC & Weld  |     |
| 15   | 3291201     | 4   | Nut M12  |     |
| 16   | 3311005     | 4   | Nut #10  |     |
| 17   | 3290601     | 2   | Nut M6   |     |
| 18   | 3311505     | 3   | Nut 5/16   |     |
| 19   | 3580314     | 1   | Pulley   |     |
| 20   | 3740080     | 2   | Relay  |     |
| 21   | 3580317     | 1   | Tensioner, Belt  |     |
| 22   | 3910606     | 2   | Screw #6 x 3/8   |     |
| 23   | 3931016     | 4   | Capscrew #10 x 1   |     |
| 24   | 3960422     | 1   | Gasket   |     |
| 25   | 4060802     | 1   | Guard, Switch  |     |
| 26   | 4360336     | 1   | Switch, Toggle   |     |
| 27   | 4460071     | 1   | Connector, Strain Relief   |     |
| 28   | 4460346     | 1   | Receptacle   |     |
| 29   | 4711400     | 4   | Washer 1/4   |     |
| 30   | 4711500     | 6   | Washer 5/16  |     |
| 31   | 4751000     | 4   | Washer #10   |     |
| 32   | 4811700     | 2   | Washer M6  |     |
| 34   | 4922925     | 1   | Harness, Generator   |     |
| 35   | 5241200     | 4   | Washer M12   |     |
| 36   | 1001136104  | 1   | Generator Assembly   |     |
| 36   | 70003631    | 1   | Brushholder Assembly (Not Shown) (was p/n 7024484)                   |     |
| 36   | 7024485     | 1   | Breaker, Circuit 30Amp (Not Shown)                                   |     |
| 36   | 70001696    | 1   | Boot, Breaker (was p/n 7024486 - Not Shown)                          |     |
| 36   | 70001966    | 1   | Bearing, Ball Radial (Located In Belt Tensioner Endbell - Not Shown) |     |
| 36   | 7027799     | 1   | Block, Connector 6 Position (Not Shown)                              |     |
| 36   | 70002460    | 6   | Nut, Brass (Attaches p/n 7027799 to Cover) (Not Shown)               |     |
| 36   | 7026188     | 1   | Clamp, Cable (Not Shown)   |     |
| 36   | 7026597     | 1   | Connector, W/Leads (Not Shown)                                       |     |

## SECTION 3 - ENGINE

| ITEM | PART NUMBER | QTY              | DESCRIPTION  | REV |
|------|-------------|------------------|--|-----|
| 36   | 7026626     | 1                | Connector - 6 Position with Seal (Not Shown)                                   |     |
| 36   | 70002088    | 1                | Stator (Not Shown)   |     |
| 36   | 70004169    | 1                | Panel, End (Not Shown) (was p/n 70002255)                                      |     |
| 36   | 70001974    | 1                | Decal - Terminal Connections (Not Shown)                                       |     |
| 36   | 70000863    | 1                | Fan (Not Shown)  |     |
| 36   | 70002297    | 4                | Stud (Not Shown)   |     |
| 36A  | 70004171    | 1                | Key (was p/n 7024561)  |     |
| 36A  | 70001100    | 1                | Armature, Generator (Includes Radial Ball Bearing on End with Brushes and Fan) |     |
| 36A  | 70001384    | 1                | Bearing, Ball Radial   |     |
| 36B  | 70001966    | 1                | Bearing, Radial Ball   |     |
| 36B  | 70003708    | 1                | Ring, Internal Retaining (Located in Belt Tensioner Endbell)                   |     |
| 36B  | 70003709    | 1                | Ring, External Retaining (Located in Belt Tensioner Endbell)                   |     |
| 36C  | 70001973    | 1                | Decal - Warning Moving Parts   |     |
| 36D  | 70004169    | 1                | Endbell, Brush Block (was p/n 70001385)  |     |
| 36E  | 70001953    | 1                | Endbell, Belt Tensioner  |     |
| 36F  | 70004169    | 1                | Endbell, Shroud Assembly (was p/n 70002290)                                    |     |
| 37   | 1001196382  | 4                | Stud   |     |
| 38   | 1001157592  | 1                | Junction Box Assembly (See Items 101-121 for Breakdown)                        |     |
| 40   | 1001216390  | 1                | V-Belt   |     |
| 41   | 1001218930  | 1                | Mount, Tensioner   |     |
| 42   | 1001110873  | 1                | Cover, Receptacle  |     |
| 43   | 4871700     | 2                | Washer M6  |     |
| 44   | 0760606     | 1                | Bolt M6 x 12   |     |
|      | 1001157592  | Ref              | JUNCTION BOX ASSEMBLY  | C   |
| 101  | 1060343     | 1.5 ft<br>/0.46m | Cable, Electrical - 10/4 (60Hz Only)   |     |
| 102  | 1001179154  | 2.5 ft<br>/0.76m | Cable Electrical - 12/3  |     |
| 103  | 1671092     | 1                | Cover, Connector   |     |
| 104  | 3300396     | 1                | Cover, Fuse  |     |
| 105  | 3311001     | 6                | Nut #10  |     |
| 106  | 4360070     | 1                | Breaker, Circuit 15Amp   |     |
| 107  | 4460425     | 1                | Connector, Strain Relief   |     |
| 108  | 4460426     | 2                | Connector, Strain Relief   |     |
| 111  | 4460963     | 1                | Receptacle   |     |
| 112  | 4711000     | 10               | Washer #10   |     |
| 114  | 10702077    | 2                | Screw #10 x 3/8  |     |
| 115  | 10702082    | 2                | Screw #10 x 3/4  |     |
| 116  | 1001152525  | 1                | Plug, Hole   |     |
| 117  | 1001157520  | 1                | Block, Terminal Pole   |     |
| 118  | 1001157521  | 1                | Box, Junction  |     |
| 119  | 1001157528  | 1                | Decal - Box Junction   |     |
| 120  | 1001158007  | 1                | Cover  |     |
| 121  | 1001158008  | 2                | Standoff   |     |
|      | 0272435     | Ref              | DECAL INSTALLATION   | D   |
| 201  | 1705460     | 2                | Decal - SkyPower   |     |
| 202  | 3251243     | 1                | Decal - 120V - 60Hz (60Hz Spec Only) (Located on Opposite Side)                |     |
| 203  | 1705375     | 1                | Decal - 240V - 3 Phase   |     |
| 204  | 1705387     | 3                | Decal, Hazardous Voltage   |     |
|      | 1001221498  | Ref              | ELECTRICAL DIAGRAM COMPONENTS  | B   |
| 301  | 1001257972  | 1                | Generator to Engine Harness (See Separate Breakdwon in                         |     |

## SECTION 3 - ENGINE

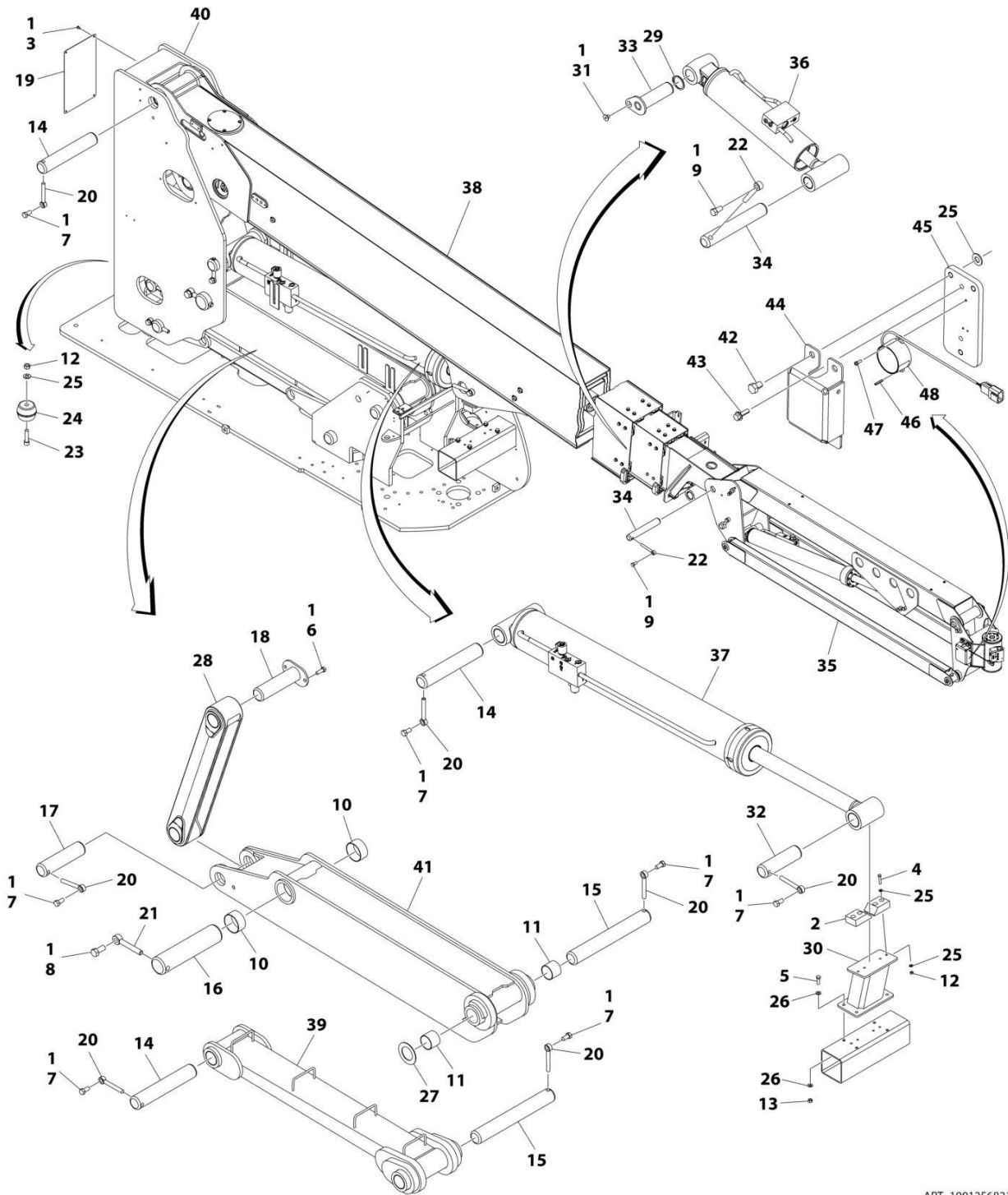
| ITEM | PART NUMBER | QTY | DESCRIPTION                         | REV |
|------|-------------|-----|-------------------------------------|-----|
|      |             |     | ELECTRCIAL SECTION)                 |     |
| 301A | 4460374     | 2   | Plug, Sealed Relay                  |     |
| 301A | 4460375     | 8   | Terminal                            |     |
| 301B | 4460967     | 1   | Plug, Male - 3 Position             |     |
| 301B | 4460465     | 3   | Socket, Female                      |     |
| 301C | 2400060     | 2   | Fuseholder (Not Shown)              |     |
| 301C | 2400064     | 2   | Fuse - 5 Amp (Not Shown)            |     |
| 301D | 4460742     | 1   | Plug, Male - 2 Position (Not Shown) |     |
| 301D | 4460743     | 2   | Socket, Female (Not Shown)          |     |
| 303  | 4922641     | 1   | Generator On/Off Switch Harness     |     |



**SECTION 4 - BOOM**

# SECTION 4 - BOOM

## FIGURE 4-1. BOOM AND CYLINDERS INSTALLATION - 860SJ HC3



ART\_1001256821

## SECTION 4 - BOOM

**FIGURE 4-1. BOOM AND CYLINDERS INSTALLATION - 860SJ HC3**

| ITEM | PART NUMBER | QTY | DESCRIPTION  | REV |
|------|-------------|-----|--|-----|
|      | 1001256821  | Ref | BOOMS AND CYLINDERS INSTALLATION                                     | C   |
| 1    | 0100011     | AR  | Compound, Locking  |     |
| 2    | 0561380     | 2   | Block, Boom Rest   |     |
| 3    | 0641504     | 4   | Bolt 5/16 x 1/2  |     |
| 4    | 0641615     | 4   | Bolt 3/8 x 1-7/8   |     |
| 5    | 0641812     | 4   | Bolt 1/2 x 1-1/2   |     |
| 6    | 0642014     | 2   | Bolt 5/8 x 1-3/4   |     |
| 7    | 0642212     | 7   | Bolt 3/4 x 1-1/2   |     |
| 8    | 0642618     | 1   | Bolt 1 x 2-1/4   |     |
| 9    | 0761212     | 2   | Bolt M12 x 25  |     |
| 10   | 0962122     | 2   | Bushing  |     |
| 11   | 0962297     | 2   | Bushing  |     |
| 12   | 3311605     | 6   | Nut 3/8  |     |
| 13   | 3311805     | 4   | Nut 1/2  |     |
| 14   | 3422908     | 3   | Pin  |     |
| 15   | 3422909     | 2   | Pin  |     |
| 16   | 3422910     | 1   | Pin  |     |
| 17   | 3422920     | 1   | Pin  |     |
| 18   | 3422931     | 1   | Pin  |     |
| 19   | 3573050     | 1   | Cover  |     |
| 20   | 3841287     | 7   | Keeper, Pin  |     |
| 21   | 3841356     | 1   | Keeper, Pin  |     |
| 22   | 3841709     | 2   | Keeper, Pin  |     |
| 23   | 3931624     | 2   | Capscrew 3/8 x 1-1/2   |     |
| 24   | 4160187     | 2   | Spring, Rubber   |     |
| 25   | 4711600     | 16  | Washer 3/8   |     |
| 26   | 4711800     | 8   | Washer 1/2   |     |
| 27   | 4740492     | 1   | Thrustwasher   |     |
| 28   | 1001117805  | 1   | Power Link Weldment  |     |
| 29   | 1001138671  | 1   | Ring, Snap   |     |
| 30   | 1001157837  | 1   | Rest, Boom   |     |
| 31   | 1001192027  | 1   | Screw M10 x 12   |     |
| 32   | 1001196221  | 1   | Pin  |     |
| 33   | 1001237142  | 1   | Pin  |     |
| 34   | 1001237949  | 2   | Pin  |     |
| 35   | 1001238328  | 1   | Jib Boom Assembly (See Separate Breakdown in this Section)           |     |
| 36   | 1001247466  | 1   | Level Cylinder Assembly (See Separate Breakdown in CYLINDER SECTION) |     |
| 37   | 1001251029  | 1   | Lift Cylinder Assembly (See Separate Breakdown in CYLINDER SECTION)  |     |
| 38   | 1001256709  | 1   | Boom Assembly (See Separate Breakdown in this Section)               |     |
| 39   | 1001257776  | 1   | Link   |     |
| 40   | 1001258003  | 1   | Upright  |     |
| 41   | 1001258007  | 1   | Boom, Tower  |     |
| 42   | 0641604     | 6   | Bolt 3/8 x 1/2   |     |
| 43   | 0780610     | 4   | Bolt M6 x 20   |     |
| 44   | 1671044     | 2   | Cover, Sensor  |     |
| 45   | 3200449     | 2   | Mount, Sensor  |     |
| 46   | 3440410     | 2   | Rollpin  |     |
| 47   | 3930606     | 4   | Capscrew #6 x 3/8  |     |

## SECTION 4 - BOOM

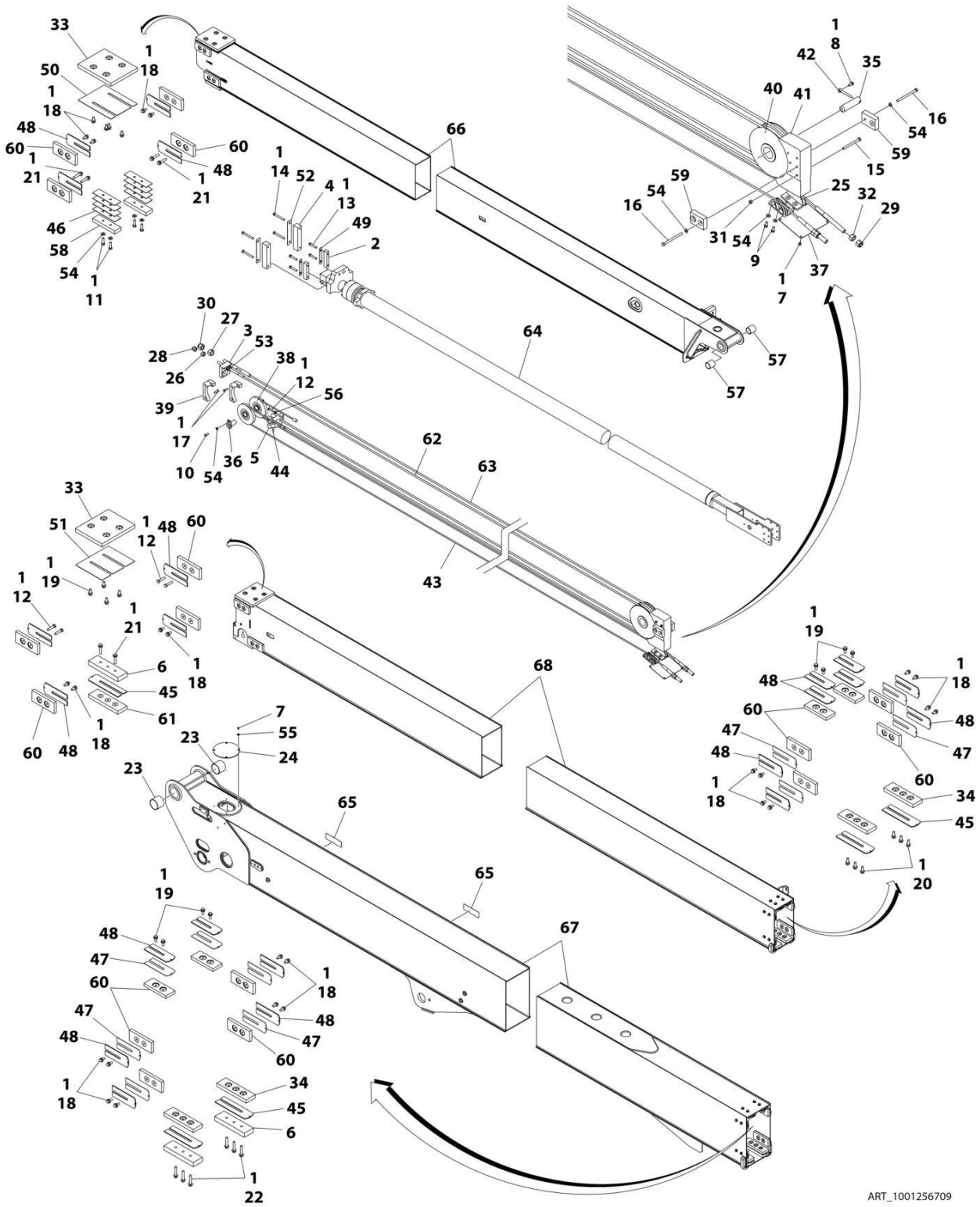
| ITEM | PART NUMBER | QTY | DESCRIPTION | REV |
|------|-------------|-----|-------------|-----|
| 48   | 1001147479  | 2   | Sensor      |     |





# SECTION 4 - BOOM

## FIGURE 4-2. MAIN BOOM ASSEMBLY - 860SJ HC3



ART\_1001256709

## SECTION 4 - BOOM

**FIGURE 4-2. MAIN BOOM ASSEMBLY - 860SJ HC3**

| ITEM | PART NUMBER | QTY | DESCRIPTION             | REV |
|------|-------------|-----|-------------------------|-----|
|      | 1001256709  | Ref | MAIN BOOM ASSEMBLY      | B   |
| 1    | 0100011     | AR  | Compound, Locking       |     |
| 2    | 0561185     | 2   | Block, Telescope Attach |     |
| 3    | 0561445     | 1   | Block, Spring Mounting  |     |
| 4    | 0561446     | 2   | Block, Tele Mount       |     |
| 5    | 0561447     | 1   | Block, Cable Mount      |     |
| 6    | 0561449     | 3   | Block, Spacer           |     |
| 7    | 0641403     | 8   | Bolt 1/4 x 3/8          |     |
| 8    | 0641606     | 1   | Bolt 3/8 x 3/4          |     |
| 9    | 0641607     | 4   | Bolt 3/8 x 7/8          |     |
| 10   | 0641608     | 2   | Bolt 3/8 x 1            |     |
| 11   | 0641610     | 4   | Bolt 3/8 x 1-1/4        |     |
| 12   | 0641613     | 6   | Bolt 3/8 x 1-5/8        |     |
| 13   | 0641616     | 4   | Bolt 3/8 x 2            |     |
| 14   | 0641626     | 4   | Bolt 3/8 x 3-1/4        |     |
| 15   | 0641634     | 4   | Bolt 3/8 x 4 1/4        |     |
| 16   | 0641640     | 2   | Bolt 3/8 x 5            |     |
| 17   | 0741612     | 6   | Screw 3/8 x 1-1/2       |     |
| 18   | 0811606     | 28  | Screw 3/8 x 3/4         |     |
| 19   | 0811607     | 12  | Screw 3/8 x 7/8         |     |
| 20   | 0811608     | 6   | Screw 3/8 x 1           |     |
| 21   | 0811614     | 6   | Screw 3/8 x 1-3/4       |     |
| 22   | 0811616     | 6   | Screw 3/8 x 2           |     |
| 23   | 0962297     | 2   | Bearing                 |     |
| 24   | 1120510     | 1   | Cover, Pin              |     |
| 25   | 1220078     | 2   | Sheave, Block           |     |
| 26   | 3272001     | 1   | Nut 5/8                 |     |
| 27   | 3272401     | 1   | Nut 7/8                 |     |
| 28   | 3300240     | 1   | Nut 5/8                 |     |
| 29   | 3300241     | 2   | Nut 3/4                 |     |
| 30   | 3300242     | 1   | Nut 7/8                 |     |
| 31   | 3311605     | 4   | Nut 3/8                 |     |
| 32   | 3312201     | 2   | Nut 3/4                 |     |
| 33   | 3340757     | 2   | Pad, Wear               |     |
| 34   | 3340871     | 4   | Pad, Wear               |     |
| 35   | 3422417     | 1   | Pin, Extend Sheave      |     |
| 36   | 3422424     | 2   | Pin                     |     |
| 37   | 3539622     | 1   | Plate, Cover            |     |
| 38   | 3580243     | 2   | Sheave, Retract         |     |
| 38   | 0961951     | 1   | Bushing                 |     |
| 39   | 3580249     | 2   | Guard, Sheave           |     |
| 40   | 3580288     | 1   | Sheave, Extend          |     |
| 40   | 0961951     | 2   | Bushing                 |     |
| 41   | 3580289     | 1   | Guard, Sheave           |     |
| 42   | 3841143     | 1   | Keeper, Pin             |     |
| 43   | 3890016     | 2   | Cable, Wire Rope        |     |
| 44   | 3951608     | 2   | Setscrew 3/8 x 1        |     |
| 45   | 4070863     | 5   | Shim (#11 Gauge)        |     |
| 46   | 4070895     | 8   | Shim (#16 Gauge)        |     |
| 47   | 4070897     | 10  | Shim (#18 Gauge)        |     |

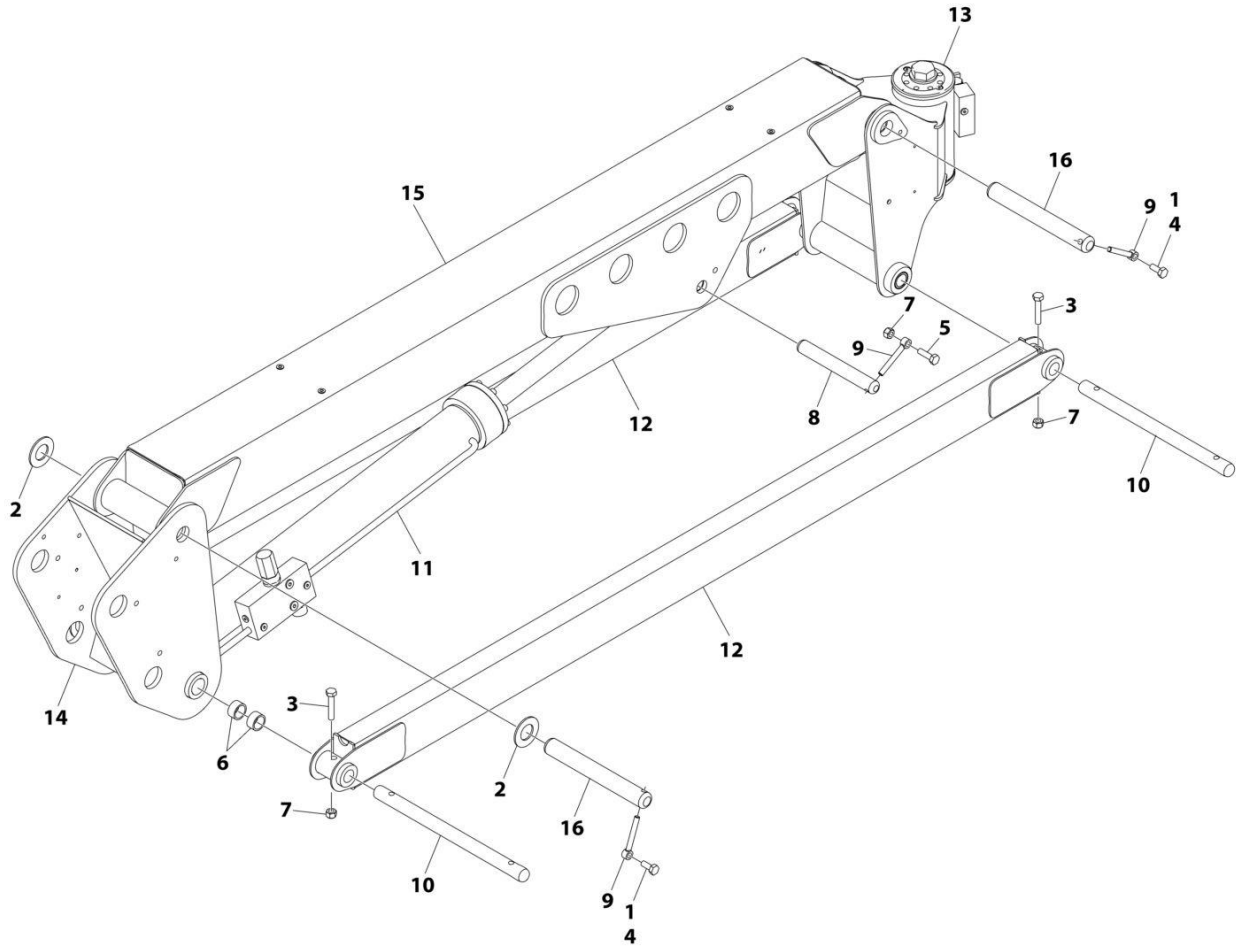
## SECTION 4 - BOOM

| ITEM | PART NUMBER | QTY | DESCRIPTION  | REV |
|------|-------------|-----|--|-----|
| 48   | 4070898     | 22  | Shim (#11 Gauge)   |     |
| 49   | 4070929     | 2   | Shim (#16 Gauge)   |     |
| 50   | 4070939     | 1   | Shim (#16 Gauge)   |     |
| 51   | 4070940     | 1   | Shim (#16 Gauge)   |     |
| 52   | 4071020     | 2   | Shim (#16 Gauge)   |     |
| 53   | 4160149     | 1   | Spring, Torsion  |     |
| 54   | 4711600     | 12  | Washer 3/8   |     |
| 55   | 4751400     | 4   | Washer 1/4   |     |
| 56   | 4891600     | 2   | Washer 3/8   |     |
| 57   | 1001118666  | 2   | Bearing  |     |
| 58   | 1001148650  | 2   | Pad, Wear  |     |
| 59   | 1001148651  | 2   | Pad, Wear  |     |
| 60   | 1001148652  | 20  | Pad, Wear  |     |
| 61   | 1001148653  | 1   | Pad, Wear  |     |
| 62   | 1001181235  | 1   | Cable, Wire Rope   |     |
| 63   | 1001181236  | 1   | Cable, Wire Rope   |     |
| 64   | 1001228083  | 1   | Telescope Cylinder Assembly Options (See Separate Breakdown in CYLINDER SECTION) |     |
| 65   | 1001250737  | 3   | Cover  |     |
| 66   | 1001256806  | 1   | Fly Weldment   |     |
| 67   | 1001256820  | 1   | Base Weldment  |     |
| 68   | 1001257286  | 1   | Mid Weldment   |     |



# SECTION 4 - BOOM

## FIGURE 4-3. JIB ASSEMBLY - 860SJ HC3



ART\_1001238328\_F

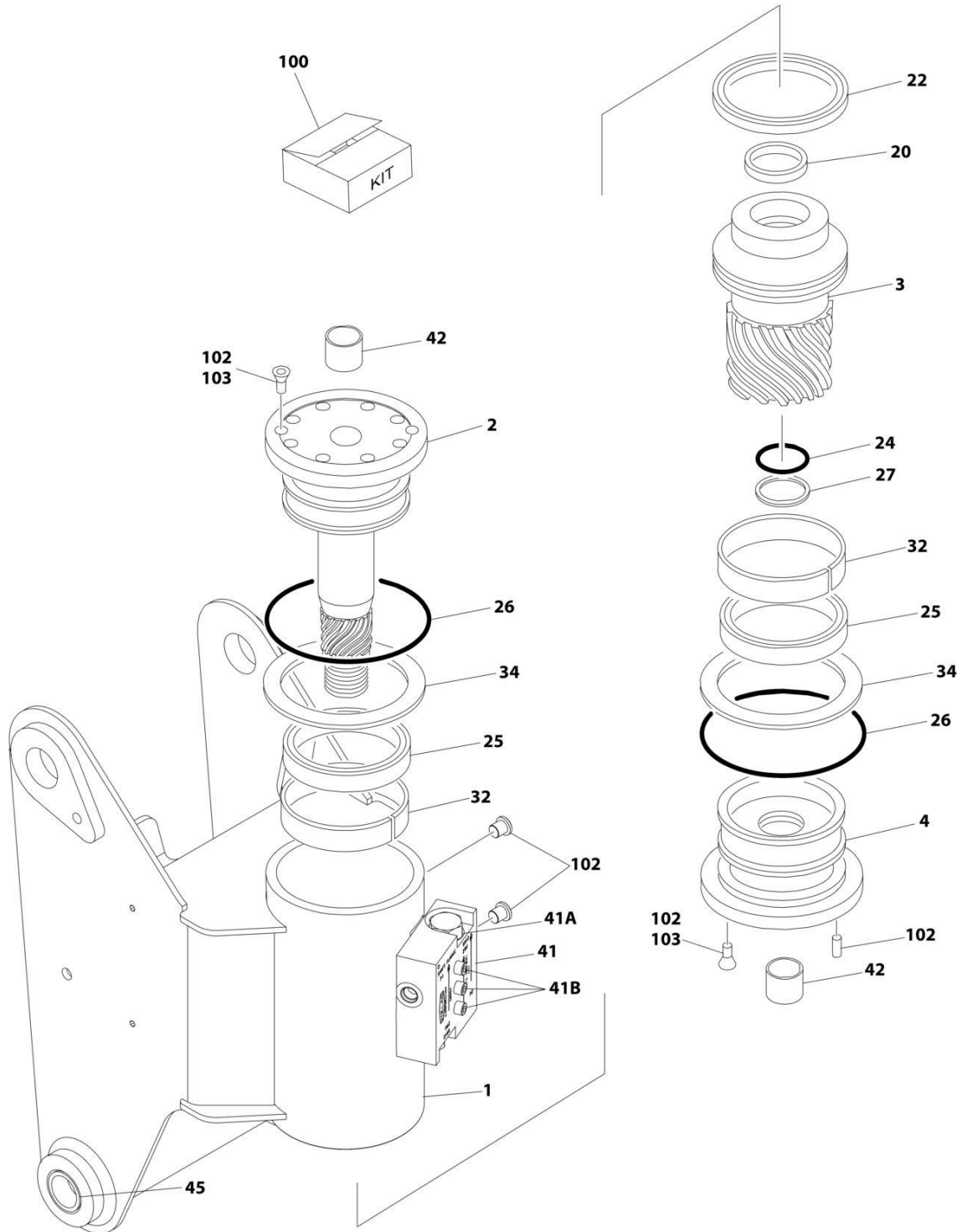
## SECTION 4 - BOOM

**FIGURE 4-3. JIB ASSEMBLY - 860SJ HC3**

| ITEM | PART NUMBER | QTY | DESCRIPTION  | REV |
|------|-------------|-----|--|-----|
|      | 1001238328  | Ref | JIB BOOM ASSEMBLY  | F   |
| 1    | 0100011     | AR  | Compound, Locking  |     |
| 2    | 0440162     | 2   | Thrustwasher 0.188IN Thick   |     |
| 2    | 0440237     | 1   | Thrustwasher 0.125IN Thick   |     |
| 3    | 0701020     | 1   | Bolt M10 x 60  |     |
| 4    | 0761012     | 2   | Bolt M10 x 25  |     |
| 5    | 0761015     | 1   | Bolt M10 x 35  |     |
| 6    | 0961947     | 4   | Bearing 1IN ID x 1.25IN OD x 5/8IN L   |     |
| 6    | 1001134289  | 4   | Bearing 1IN ID x 1.5IN OD x 1IN L  |     |
| 7    | 3291005     | 5   | Nut M10  |     |
| 8    | 3422867     | 1   | Pin  |     |
| 9    | 3841143     | 3   | Keeper, Pin  |     |
| 10   | 3422861     | 1   | Pin  |     |
| 11   | 1001259137  | NLA | Lift Cylinder Assembly - Jib (Note: Use PN 1001264991. Items 2 & 6 may need replaced when using PN 1001264991.) (See Separate Breakdown in CYLINDER SECTION) |     |
| 11   | 1001264302  | NLA | Lift Cylinder Assembly - Jib (Note: Use PN 1001264991. Items 2 & 6 may need replaced when using PN 1001264991.) (See Separate Breakdown in CYLINDER SECTION) |     |
| 11   | 1001264991  | 1   | Lift Cylinder Assembly - Jib (See Separate Breakdown in CYLINDER SECTION)  |     |
| 12   | 4844817     | 1   | Link   |     |
| 13   | 1001234811  | 1   | Rotator Assembly (See Separate Breakdown in this Section)  |     |
| 14   | 1001238168  | 1   | Pivot  |     |
| 15   | 1001238333  | 1   | Tube (Upper)   |     |
| 15   | 0962155     | 1   | Bushing  |     |
| 16   | 1001238398  | 2   | Pin  |     |

# SECTION 4 - BOOM

## FIGURE 4-4. ROTATOR ASSEMBLY - 860SJ HC3



ART\_1001234811



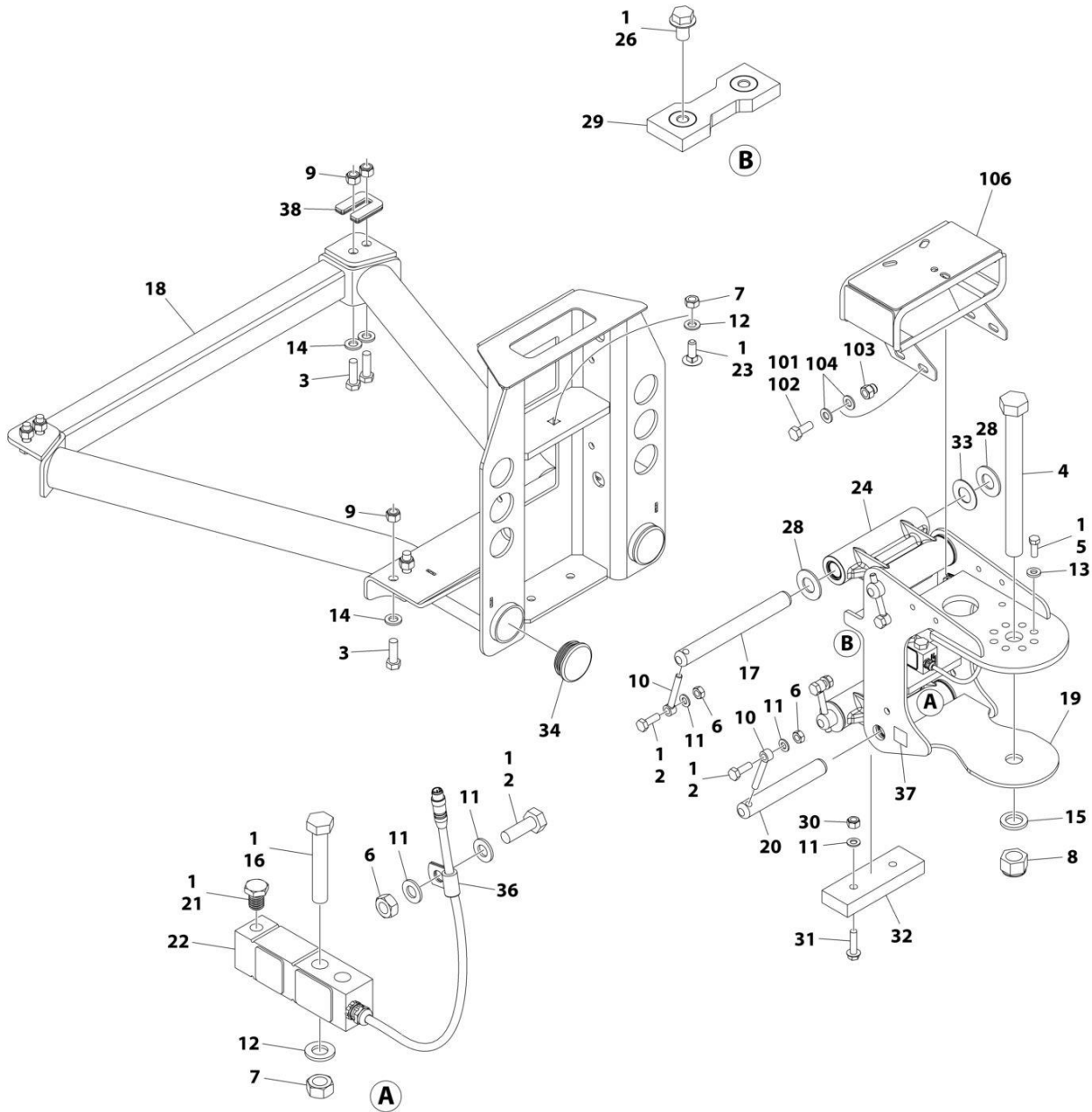
## SECTION 4 - BOOM

**FIGURE 4-4. ROTATOR ASSEMBLY - 860SJ HC3**

| ITEM | PART NUMBER | QTY | DESCRIPTION   | REV |
|------|-------------|-----|---|-----|
|      | 1001234811  | Ref | ROTATOR ASSEMBLY  | B   |
| 1    | See Note    | NSS | Housing/Ring Gear Assembly (Note: Not Available - Purchase Complete Rotator Assembly) |     |
| 2    | 7017162     | 1   | Shaft Weldment  |     |
| 3    | 7017163     | 1   | Piston/Sleeve Assembly  |     |
| 4    | 7017164     | 1   | Cap, End  |     |
| 20   | See Note    | NSS | T-Seal (Note: Use Item 100)   |     |
| 22   | See Note    | NSS | T-Seal (Note: Use Item 100)   |     |
| 24   | See Note    | NSS | O-Ring (Note: Use Item 100)   |     |
| 25   | See Note    | NSS | Seal (Note: Use Item 100)   |     |
| 26   | See Note    | NSS | O-Ring (Note: Use Item 100)   |     |
| 27   | See Note    | NSS | Ring, Back-up (Note: Use Item 100)  |     |
| 32   | See Note    | NSS | Ring, Wear (Note: Use Item 101)   |     |
| 34   | See Note    | NSS | Washer, Thrust (Note: Use Item 101)   |     |
| 41   | 7017172     | AR  | Valve Assembly  |     |
| 41A  | 7017192     | 2   | Cartridge, Valve  |     |
| 41A  | See Note    | NSS | Seal Kit - 7017192 Valve (Note: Not Available for Purchase)                           |     |
| 41B  | See Note    | 3   | Bolt 1/4-20NC x 1-1/2 Grade 8 (Note: Not Available - Purchase Locally)                |     |
| 42   | 7017195     | 2   | Bushing   |     |
| 45   | 0961947     | 2   | Bushing 1IN ID x 1.25IN OD x 5/8IN L  |     |
| 45   | 1001134289  | 2   | Bushing 1IN ID x 1.5IN OD x 1IN L   |     |
| 100  | 70000342    | 1   | Seal Kit (Includes Items 20, 22, 24, 25, 27 & 33)                                     |     |
| 101  | 7017159     | 1   | Bearing Kit (Includes Items 32 & 34)  |     |
| 102  | 7017142     | 1   | Hardware Kit  |     |
| 103  | 70001697    | 4   | Screw, Countersunk 1/4 x 3/8 Grade 8  |     |

# SECTION 4 - BOOM

## FIGURE 4-5. PLATFORM SUPPORT INSTALLATION



ART\_1001167596\_M

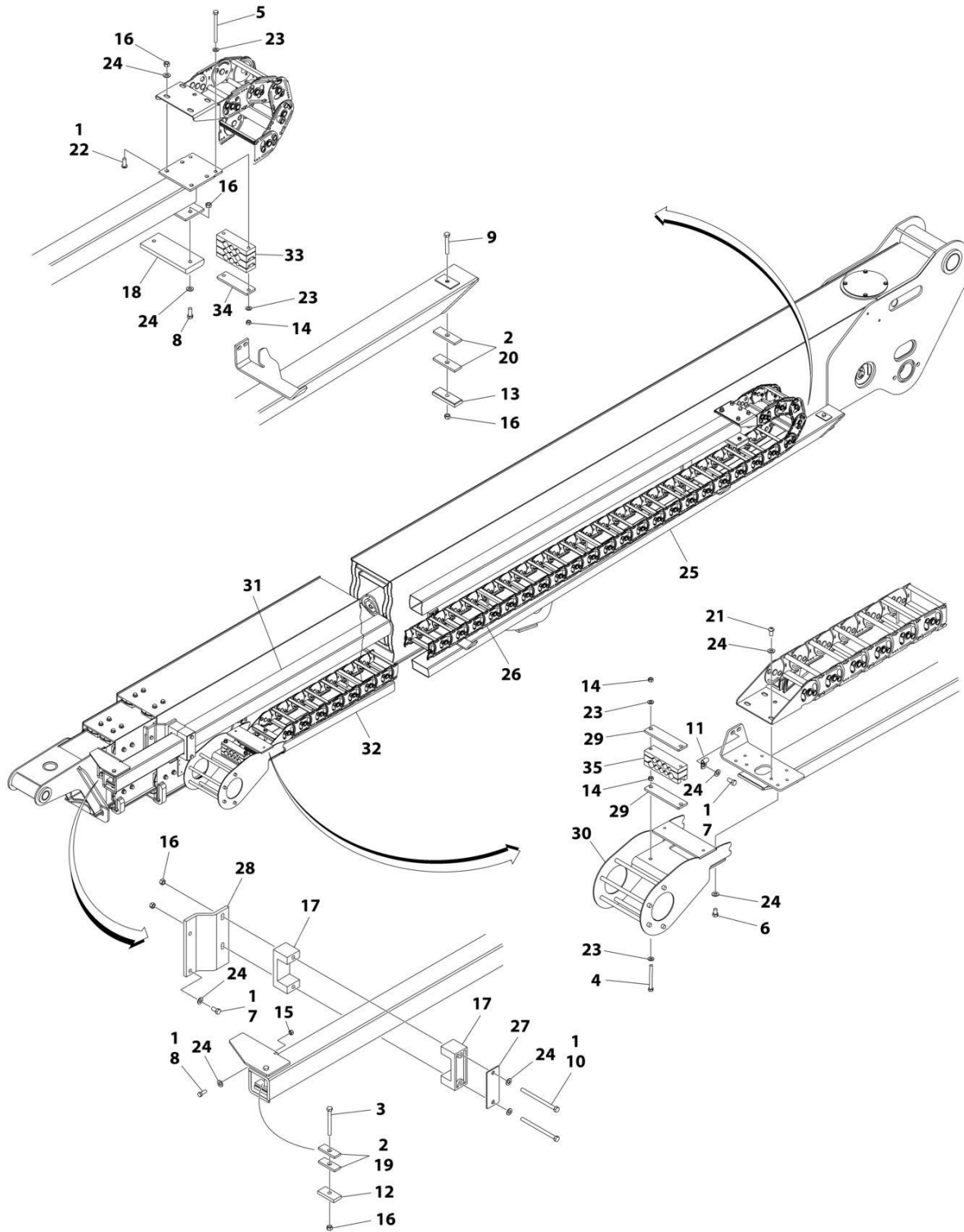
## SECTION 4 - BOOM

**FIGURE 4-5. PLATFORM SUPPORT INSTALLATION**

| ITEM | PART NUMBER | QTY | DESCRIPTION                        | REV |
|------|-------------|-----|------------------------------------|-----|
|      | 1001167596  | Ref | PLATFORM SUPPORT INSTALLATION      | M   |
| 1    | 0100011     | AR  | Compound, Locking                  |     |
| 2    | 0761014     | 5   | Bolt M10 x 30                      |     |
| 3    | 0761216     | 8   | Bolt M12 x 40                      |     |
| 4    | 1001255133  | 1   | Bolt 1 x 11                        |     |
| 5    | 0681608     | 8   | Bolt 3/8 x 1                       |     |
| 6    | 3291001     | 5   | Nut M10                            |     |
| 7    | 3291201     | 3   | Nut M12                            |     |
| 8    | 1001174040  | 1   | Nut 1                              |     |
| 9    | 3291205     | 8   | Nut M12                            |     |
| 10   | 3841143     | 4   | Keeper, Pin                        |     |
| 11   | 4812000     | 8   | Washer M10                         |     |
| 12   | 4812100     | 3   | Washer M12                         |     |
| 13   | 4891600     | 8   | Washer 3/8                         |     |
| 14   | 5241200     | 8   | Washer M12                         |     |
| 15   | 4892600001  | 1   | Washer 1                           |     |
| 16   | 1001098828  | 2   | Bolt M12 x 70 Grade 10.9           |     |
| 17   | 1001167565  | 2   | Pin                                |     |
| 18   | 1001200494  | 1   | Support, Platform                  |     |
| 19   | 1001167567  | 1   | Support, Rotator                   |     |
| 20   | 1001168402  | 2   | Pin                                |     |
| 21   | 1001188622  | 1   | Screw                              |     |
| 22   | 1001247468  | 1   | Cell, Load Sensing                 |     |
| 23   | 1001188844  | 1   | Bolt M12 x 35                      |     |
| 24   | 1001201351  | 2   | Link                               |     |
| 24   | 1001187382  | 4   | Bearing                            |     |
| 24   | 1001187383  | 4   | Seal                               |     |
| 26   | 5251008     | 2   | Bolt M10 x 16                      |     |
| 28   | 1001189002  | 8   | Bearing                            |     |
| 29   | 1001190985  | 1   | Pad, Wear                          |     |
| 30   | 3291005     | 2   | Nut M10                            |     |
| 31   | 5251016     | 2   | Bolt M10 x 40                      |     |
| 32   | 1001200491  | 1   | Pad, Wear                          |     |
| 33   | 1001189001  | 4   | Bearing                            |     |
| 34   | 1001204725  | 2   | Plug                               |     |
| 36   | 91203039    | 1   | Clamp                              |     |
| 37   | 1001216630  | 2   | Decal - Tie Down/No Lift           |     |
| 38   | 1001238421  | Ref | Kit, Platform Leveling (Not Shown) |     |
|      | 1001202687  | Ref | VALVE MOUNT INSTALLATION           | B   |
| 101  | 0100011     | AR  | Compound, Locking                  |     |
| 102  | 0760810     | 4   | Bolt M8 x 20                       |     |
| 103  | 3290806     | 4   | Nut M8                             |     |
| 104  | 4811900     | 8   | Washer M8                          |     |
| 106  | 1001208994  | 1   | Mount, Valve                       |     |

# SECTION 4 - BOOM

## FIGURE 4-6. POWER TRACK INSTALLATION - MAIN BOOM - 860SJ HC3



ART\_1001257057

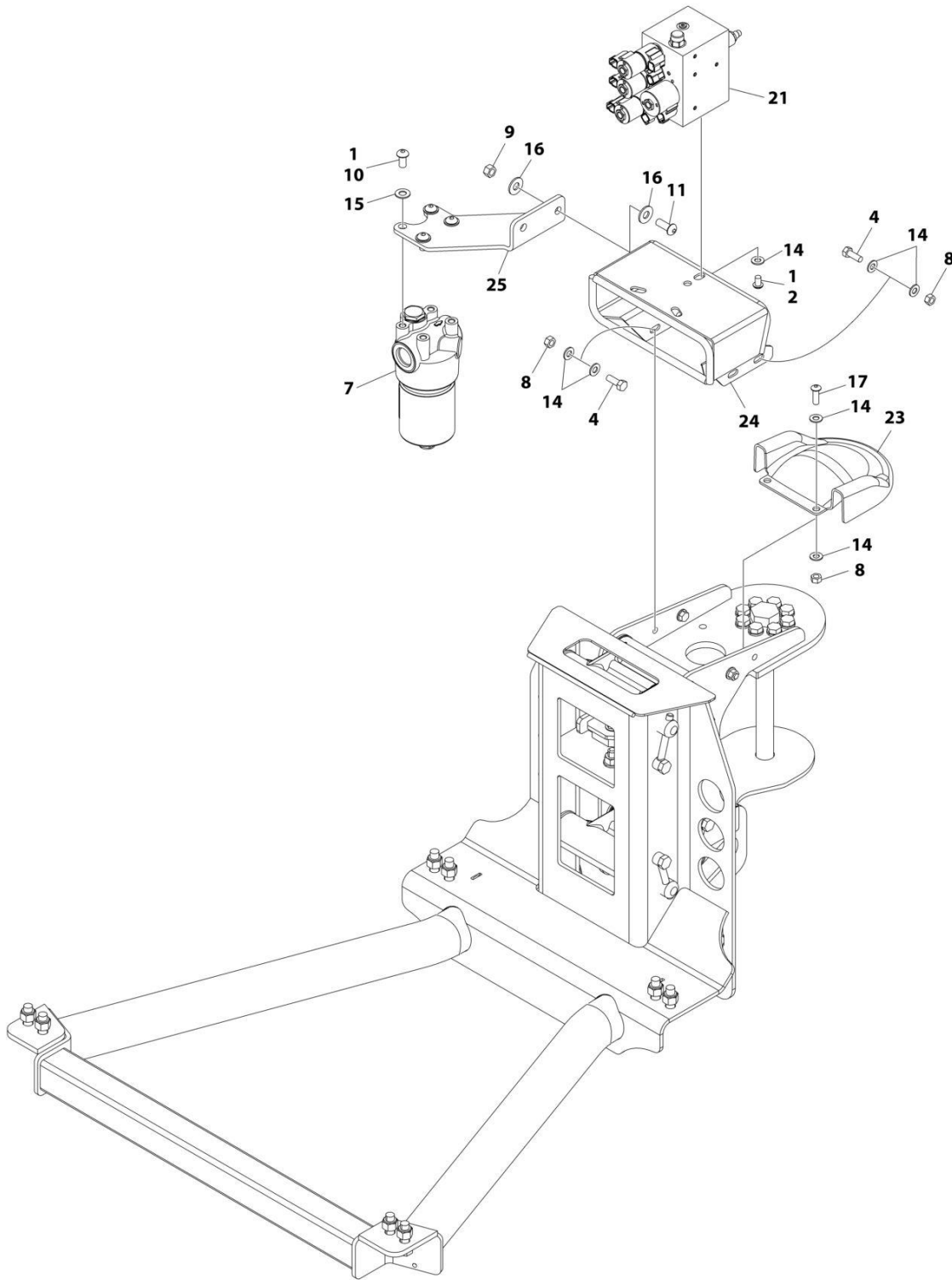
## SECTION 4 - BOOM

**FIGURE 4-6. POWER TRACK INSTALLATION - MAIN BOOM - 860SJ HC3**

| ITEM | PART NUMBER | QTY | DESCRIPTION   | REV |
|------|-------------|-----|---|-----|
|      | 1001257057  | Ref | POWER TRACK INSTALLATION - MAIN BOOM                  | B   |
| 1    | 0100011     | AR  | Compound, Locking                                     |     |
| 2    | 0100081     | AR  | Adhesive  |     |
| 3    | 0630539     | 1   | Bolt 3/8 x 3-1/2                                      |     |
| 4    | 1001263327  | 2   | Bolt 5/16 x 3.25                                      |     |
| 5    | 1001262829  | 2   | Bolt 5/16 x 4   |     |
| 6    | 0641605     | 4   | Bolt 3/8 x 5/8  |     |
| 7    | 0641606     | 4   | Bolt 3/8 x 3/4  |     |
| 8    | 0641608     | 6   | Bolt 3/8 x 1  |     |
| 9    | 0641620     | 1   | Bolt 3/8 x 2-1/2                                      |     |
| 10   | 0641644     | 2   | Bolt 3/8 x 5-1/2                                      |     |
| 11   | 1320263     | 2   | Clamp, Cable  |     |
| 12   | 1320288     | 1   | Clamp, Hose   |     |
| 13   | 1320289     | 1   | Clamp, Hose   |     |
| 14   | 3271505     | 10  | Nut 5/16  |     |
| 15   | 3271601     | 4   | Nut 3/8   |     |
| 16   | 3311605     | 10  | Nut 3/8   |     |
| 17   | 3340764     | 2   | Pad, Wear   |     |
| 18   | 3340787     | 1   | Pad, Wear   |     |
| 19   | 3340941     | 2   | Pad, Push Tube  |     |
| 20   | 3340943     | 2   | Pad, Rubber   |     |
| 21   | 3900283     | 4   | Screw 3/8 x 3/4                                       |     |
| 22   | 3900316     | 4   | Screw 3/8 x 1   |     |
| 23   | 4711500     | 8   | Washer 5/16   |     |
| 24   | 4711600     | 36  | Washer 3/8  |     |
| 25   | 4846558     | 1   | Tube, Push  |     |
| 26   | 1001131731  | 1   | Power Track   |     |
| 26   | 70003921    | AR  | Repair Section (Includes 1 Pin Assembly for each end) |     |
| 26   | 70003922    | 1   | Mounting Feet (Includes Both Pair of Feet)            |     |
| 27   | 1001136400  | 1   | Plate   |     |
| 28   | 1001156439  | 1   | Plate   |     |
| 29   | 1001249824  | 2   | Plate   |     |
| 30   | 1001250384  | 1   | Mount   |     |
| 31   | 1001257062  | 1   | Push Tube   |     |
| 32   | 1001257093  | 1   | Support, Power Track                                  |     |
| 33   | 1001257428  | 1   | Clamp   |     |
| 34   | 1001257429  | 1   | Plate   |     |
| 35   | 1001257657  | 1   | Clamp   |     |

# SECTION 4 - BOOM

## FIGURE 4-7. CONTROL VALVE INSTALLATION - 860SJ HC3



ART\_1001219980\_20F2

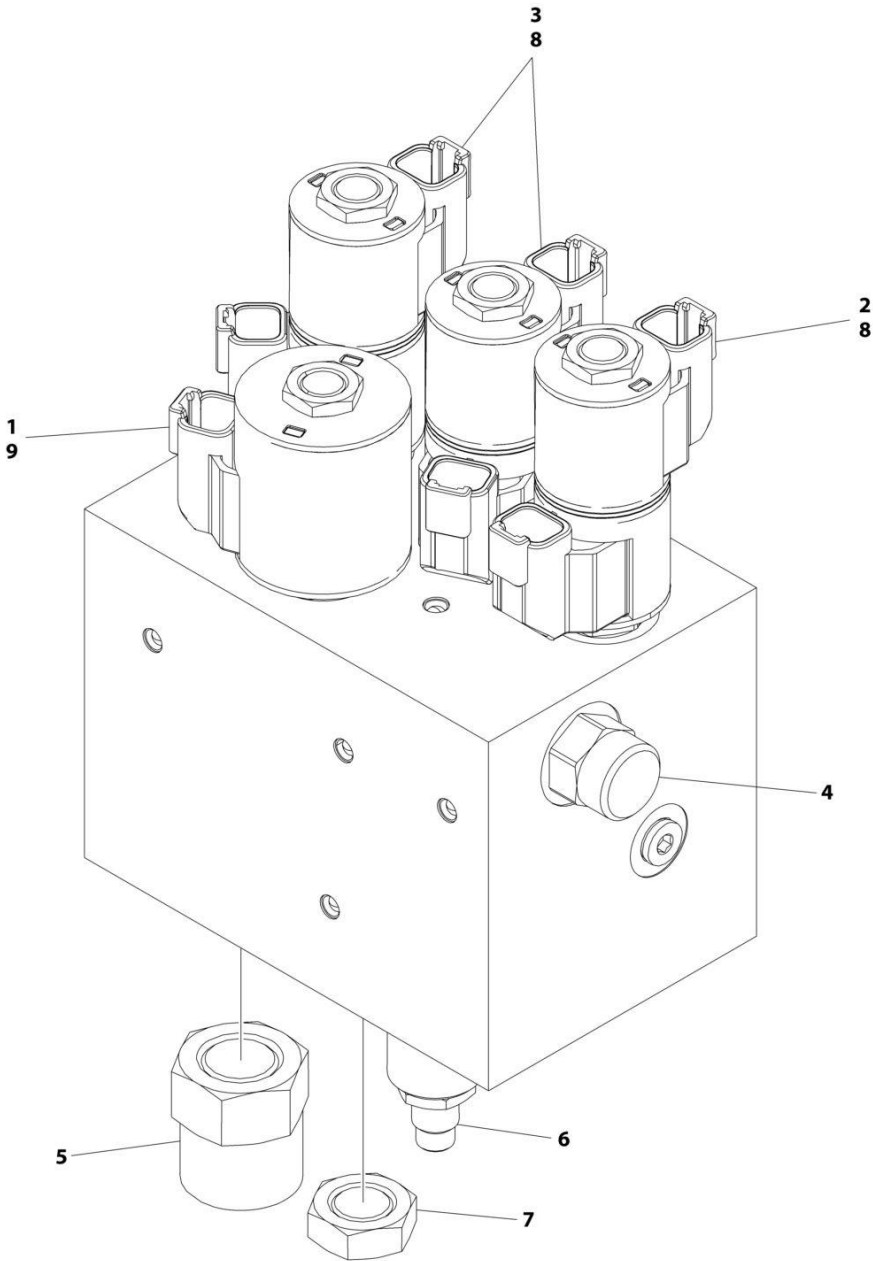
## SECTION 4 - BOOM

**FIGURE 4-7. CONTROL VALVE INSTALLATION - 860SJ HC3**

| ITEM | PART NUMBER | QTY | DESCRIPTION  | REV |
|------|-------------|-----|--|-----|
|      | 1001219980  | Ref | CONTROL VALVE INSTALLATION                               | B   |
| 1    | 0100011     | AR  | Compound, Locking  |     |
| 2    | 0630467     | 3   | Screw, Button Head                                       |     |
| 4    | 0641507     | 4   | Bolt 5/16 x 7/8  |     |
| 7    | 2120217     | 1   | Filter, High Pressure                                    |     |
| 7    | 70002097    | 1   | Element, Filter  |     |
| 7    | 70001499    | 1   | Kit, Seal  |     |
| 7    | 70004328    | 1   | Plug, Indicator  |     |
| 8    | 3311505     | 6   | Nut 5/16   |     |
| 9    | 3311605     | 2   | Nut 3/8  |     |
| 10   | 3900283     | 4   | Screw 3/8 x 3/4  |     |
| 11   | 3900316     | 2   | Screw 3/8 x 1  |     |
| 14   | 4711500     | 15  | Washer 5/16  |     |
| 15   | 4711600     | 4   | Washer 3/8   |     |
| 16   | 4751600     | 4   | Washer 3/8   |     |
| 17   | 88261024    | 2   | Screw 5/16 x 1   |     |
| 21   | 1001235901  | 1   | Valve, Platform (See Separate Breakdown in this Section) |     |
| 23   | 1001207969  | 1   | Cover  |     |
| 24   | 1001208994  | 1   | Plate, Valve Mounting                                    |     |
| 25   | 1001222314  | 1   | Bracket, Filter Mounting                                 |     |

**SECTION 4 - BOOM**

**FIGURE 4-8. PLATFORM VALVE ASSEMBLY - 860SJ HC3**



ART\_1001235901

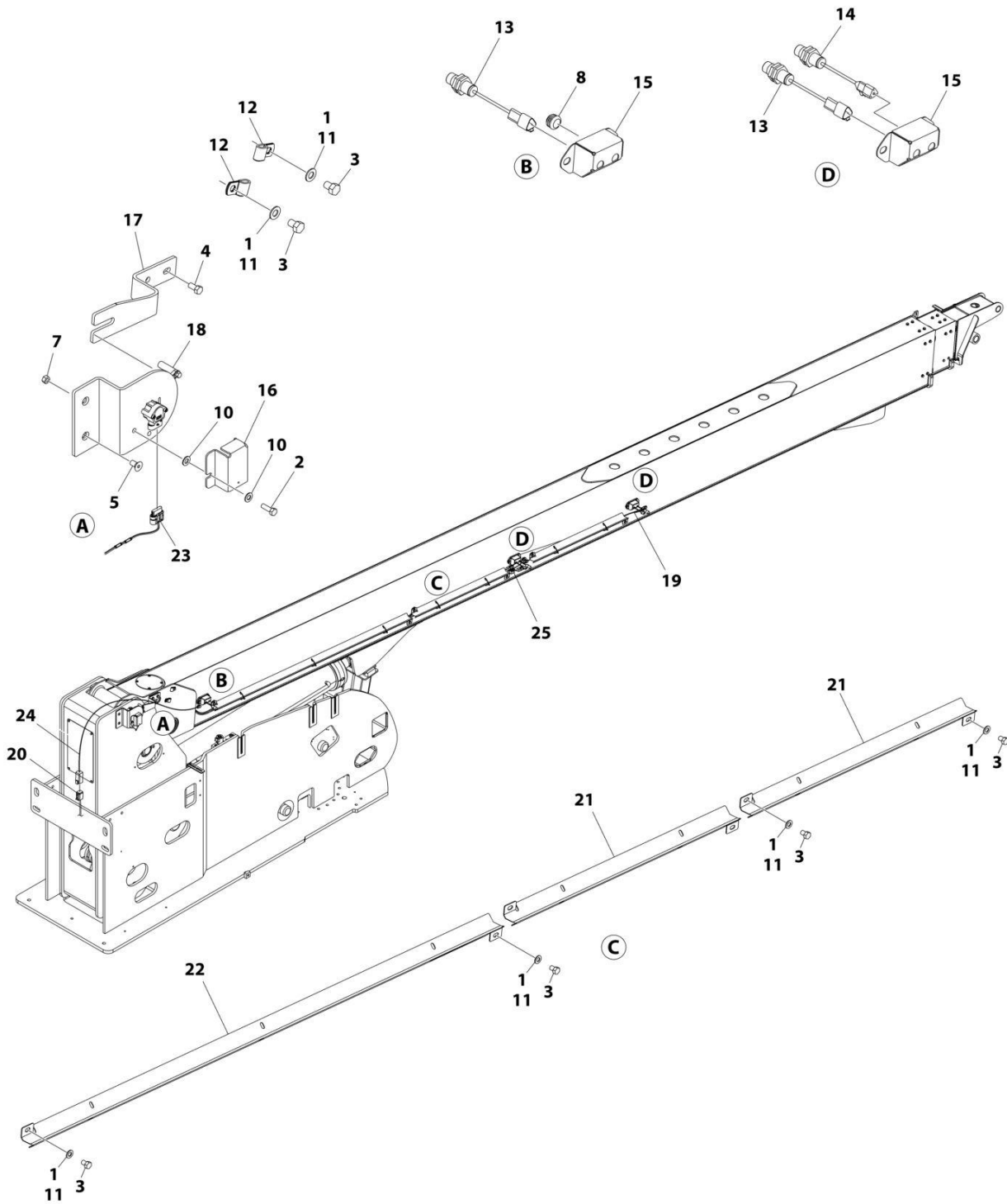


FIGURE 4-8. PLATFORM VALVE ASSEMBLY - 860SJ HC3

| ITEM | PART NUMBER | QTY | DESCRIPTION   | REV |
|------|-------------|-----|---|-----|
|      | 1001235901  | Ref | PLATFORM VALVE ASSEMBLY                                   | A   |
| 1    | 7012995     | 1   | Cartridge, Solenoid Valve (Pressure)                      |     |
| 1    | 7012518     | 1   | Seal Kit - 7012955 Valve                                  |     |
| 2    | 7017452     | 1   | Cartridge, Solenoid Valve (Platform Rotator)              |     |
| 2    | 7017402     | 1   | Seal Kit - 7017452 Valve                                  |     |
| 3    | 7023922     | 2   | Cartridge, Solenoid Valve (Platform Jib & Platform Level) |     |
| 3    | 7017402     | 2   | Seal Kit - 7023922 Valve                                  |     |
| 4    | 7012989     | 1   | Cartridge, Valve (Flow Regulator)                         |     |
| 4    | 7012953     | 1   | Seal Kit - 7012989 Valve                                  |     |
| 5    | 7023984     | NLA | Cartridge, Valve (use p/n 7017446)                        |     |
| 5    | 7017446     | 1   | Cartridge, Valve (Flow Regulator)                         |     |
| 5    | 7012953     | 1   | Seal Kit - 7023984 Valve                                  |     |
| 6    | 70004578    | 1   | Cartridge, Valve  |     |
| 6    | 7021653     | 1   | Seal Kit - 70004578 Valve                                 |     |
| 7    | 7012955     | 1   | Cartridge, Valve (Check Valve)                            |     |
| 7    | 7012967     | 1   | Seal Kit - 7012955 Valve                                  |     |
| 8    | 70002386    | 6   | Coil  |     |
| 9    | 70003788    | 1   | Coil  |     |
| 10   | 70004582    | 1   | Orifice (Not Shown - Located on Back at Port T)           |     |

# SECTION 4 - BOOM

## FIGURE 4-9. LIMIT SWITCHES AND COVERS INSTALLATION



ART\_1001257427

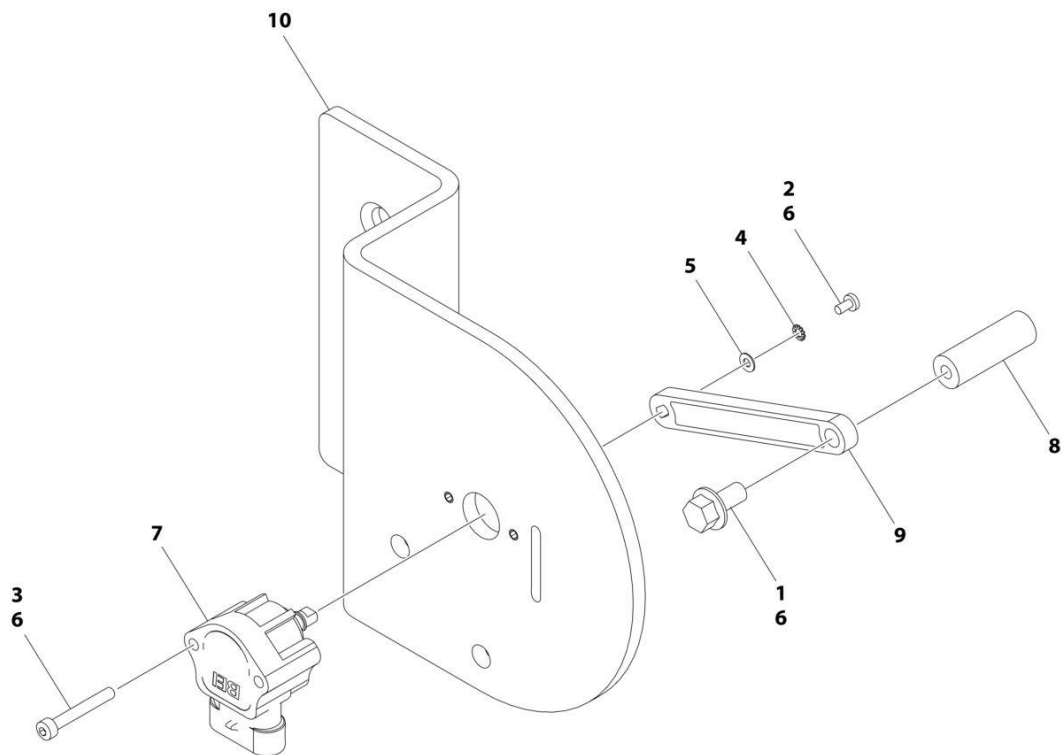
## SECTION 4 - BOOM

**FIGURE 4-9. LIMIT SWITCHES AND COVERS INSTALLATION**

| ITEM | PART NUMBER | QTY | DESCRIPTION  | REV |
|------|-------------|-----|--|-----|
|      | 1001257427  | Ref | LIMIT SWITCHES AND COVERS INSTALLATION                         | B   |
| 1    | 0100011     | AR  | Compound, Locking  |     |
| 2    | 0641508     | 1   | Bolt 5/16 x 1  |     |
| 3    | 0641604     | 14  | Bolt 3/8 x 1/2   |     |
| 4    | 0641606     | 2   | Bolt 3/8 x 3/4   |     |
| 5    | 0741606     | 2   | Bolt 3/8 x 3/4   |     |
| 7    | 3311501     | 1   | Nut 5/16   |     |
| 8    | 3520193     | 1   | Plug   |     |
| 9    | 4240033     | 10  | Tie-Strap (Not Shown)  |     |
| 10   | 4711500     | 2   | Washer 5/16  |     |
| 11   | 4711600     | 16  | Washer 3/8   |     |
| 12   | 1001102858  | 2   | Clamp  |     |
| 13   | 1001170847  | 3   | Sensor, Proximity  |     |
| 14   | 1001182570  | 2   | Sensor, Proximity  |     |
| 15   | 1001204715  | 3   | Bracket  |     |
| 16   | 1001211588  | 1   | Shield   |     |
| 17   | 1001254019  | 1   | Plate  |     |
| 18   | 1001254020  | 1   | Lower Sensor Assembly (See Separate Breakdown in this Section) |     |
| 19   | 1001254468  | 1   | Cable, Full Extension  |     |
| 20   | 1001255358  | 1   | Cable, Lower Sensor  |     |
| 21   | 1001258330  | 2   | Cover, Harness   |     |
| 22   | 1001258332  | 1   | Cover, Harness   |     |
| 23   | 1001255356  | 1   | Cable, Boom Angle  |     |
| 24   | 1001255357  | 1   | Cable, Transport   |     |
| 25   | 1001255359  | 1   | Cable, Upper Sensor  |     |

# SECTION 4 - BOOM

## FIGURE 4-10. SENSOR ASSEMBLY - LOWER



ART\_1001254020

FIGURE 4-10. SENSOR ASSEMBLY - LOWER

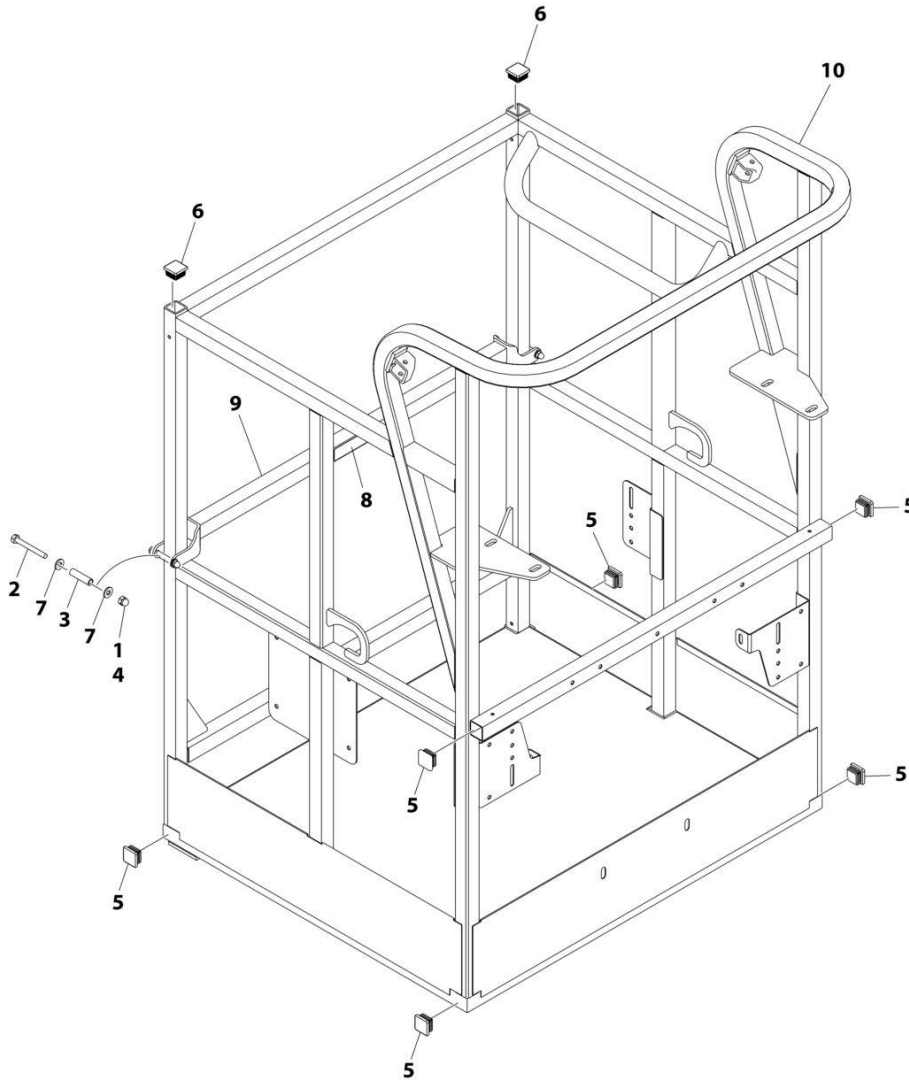
| ITEM | PART NUMBER | QTY | DESCRIPTION                | REV |
|------|-------------|-----|----------------------------|-----|
|      | 1001254020  | Ref | DUAL CAPACITY INSTALLATION | B   |
| 1    | 0791404     | 1   | Screw 1/4 x 1/2            |     |
| 2    | 4010303     | 1   | Screw M3 x 6               |     |
| 3    | 4031510     | 2   | Bolt M4 x 30               |     |
| 4    | 4871200     | 1   | Washer M3                  |     |
| 5    | 1001110544  | 1   | Washer M3                  |     |
| 6    | 1001180620  | AR  | Adhesive                   |     |
| 7    | 1001191022  | 1   | Sensor                     |     |
| 8    | 1001254016  | 1   | Stud                       |     |
| 9    | 1001254017  | 1   | Link, Angle Sensor Arm     |     |
| 10   | 1001254018  | 1   | Bracket                    |     |



**SECTION 5 - PLATFORM**

# SECTION 5 - PLATFORM

FIGURE 5-1. PLATFORM ASSEMBLY WITH DROP-BAR - 30IN X 3FT (76CM X 1M)



ART\_1001228215



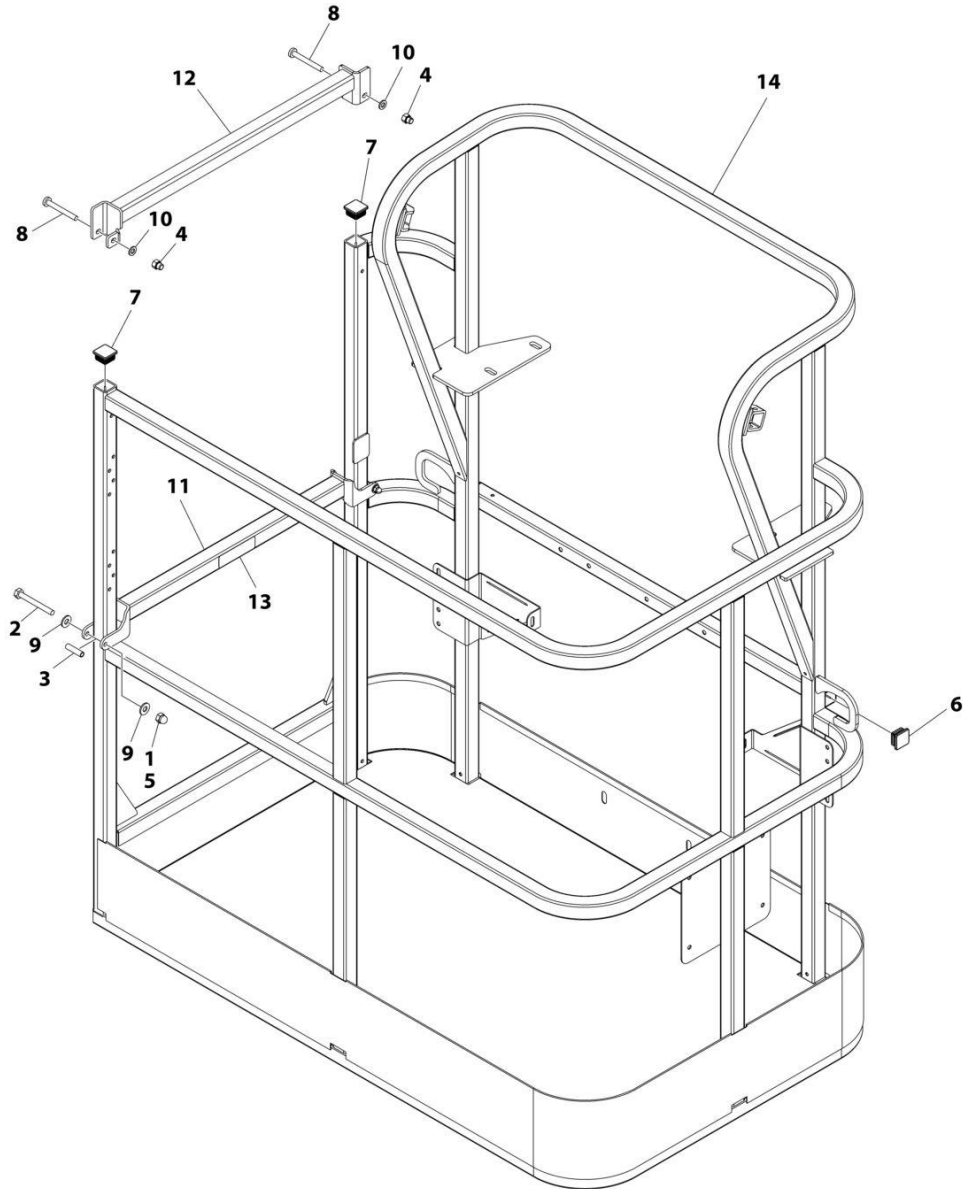
## SECTION 5 - PLATFORM

**FIGURE 5-1. PLATFORM ASSEMBLY WITH DROP-BAR - 30IN X 3FT (76CM X 1M)**

| ITEM | PART NUMBER | QTY | DESCRIPTION   | REV |
|------|-------------|-----|---|-----|
|      | 1001228215  | Ref | PLATFORM ASSEMBLY   | A   |
|      | See Note    | Ref | Note: Platform and Mesh must be ordered separately for Platforms with Mesh. See SPECIAL OPTIONS SECTION for Mesh Installations. |     |
|      | See Note    | Ref | Note: Replacement Decals Must be Ordered Separately - See DECAL SECTION.  |     |
| 1    | 0100011     | AR  | Compound, Locking   |     |
| 2    | 0641418     | 2   | Bolt 1/4 x 2-1/4  |     |
| 3    | 0961845     | 2   | Bushing   |     |
| 4    | 3300151     | 2   | Nut 1/4   |     |
| 5    | 3520072     | 6   | Cap, Plug   |     |
| 6    | 3520198     | 2   | Cap, Plug   |     |
| 7    | 4711400     | 4   | Washer 1/4  |     |
| 8    | 1001140429  | 1   | Decal - Drop Bar  |     |
| 9    | 1001226872  | 1   | Bar, Drop   |     |
| 10   | See Note    | NSS | Platform (Note: Not Available - Purchase Platform Assembly)   |     |

# SECTION 5 - PLATFORM

FIGURE 5-2. PLATFORM ASSEMBLY WITH DROP-BAR - 30IN X 4FT (76CM X 1.22M)



ART\_1001186375

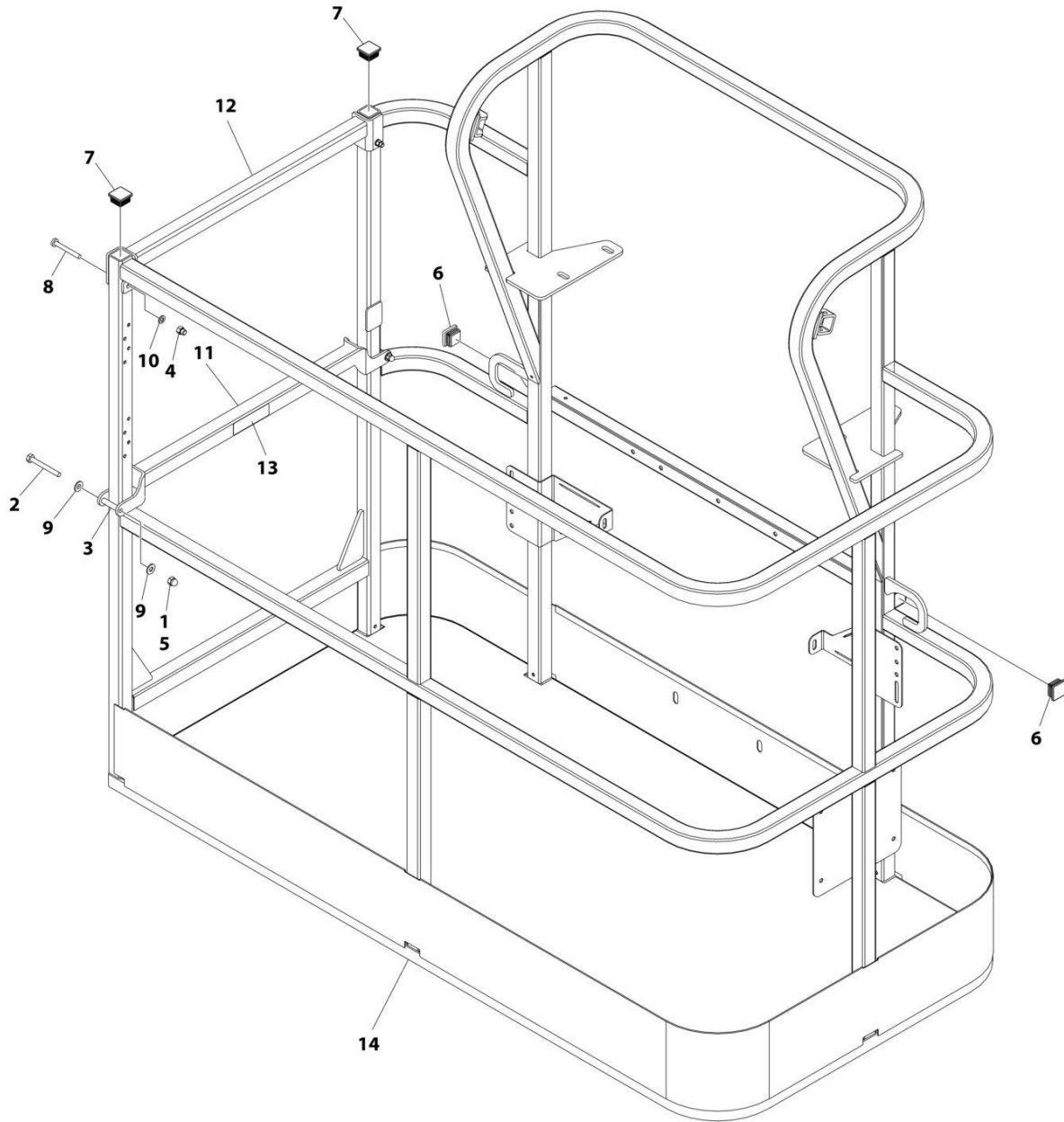
## SECTION 5 - PLATFORM

**FIGURE 5-2. PLATFORM ASSEMBLY WITH DROP-BAR - 30IN X 4FT (76CM X 1.22M)**

| ITEM | PART NUMBER | QTY | DESCRIPTION   | REV |
|------|-------------|-----|---|-----|
|      | 1001186375  | Ref | PLATFORM ASSEMBLY   | B   |
|      |             | Ref | Note: Platform and Mesh must be ordered separately for Platforms with Mesh. See SPECIAL OPTIONS SECTION for Mesh Installations. |     |
|      |             | Ref | Note: Replacement Decals Must be Ordered Separately - See DECALS SECTION.   |     |
| 1    | 0100011     | AR  | Compound, Locking   |     |
| 2    | 0641418     | 2   | Bolt 1/4 x 2-1/4  |     |
| 3    | 0961845     | 2   | Bushing   |     |
| 4    | 3290606     | 2   | Nut M6  |     |
| 5    | 3300151     | 2   | Nut 1/4   |     |
| 6    | 3520072     | 2   | Plug  |     |
| 7    | 3520198     | 2   | Plug  |     |
| 8    | 4010618     | 2   | Screw M6 x 50   |     |
| 9    | 4711400     | 4   | Washer 1/4  |     |
| 10   | 4811700     | 2   | Washer M6   |     |
| 11   | 1001138494  | 1   | Bar, Drop   |     |
| 12   | 1001138514  | 1   | Rail - Top  |     |
| 13   | 1001140429  | 1   | Decal - Drop Bar  |     |
| 14   | See Note    | NSS | Platform (Note: Not Available - Purchase Platform Assembly)   |     |

# SECTION 5 - PLATFORM

FIGURE 5-3. PLATFORM ASSEMBLY WITH DROP-BAR - 30IN X 5FT (76CM X 1.52M)



ART\_1001186377

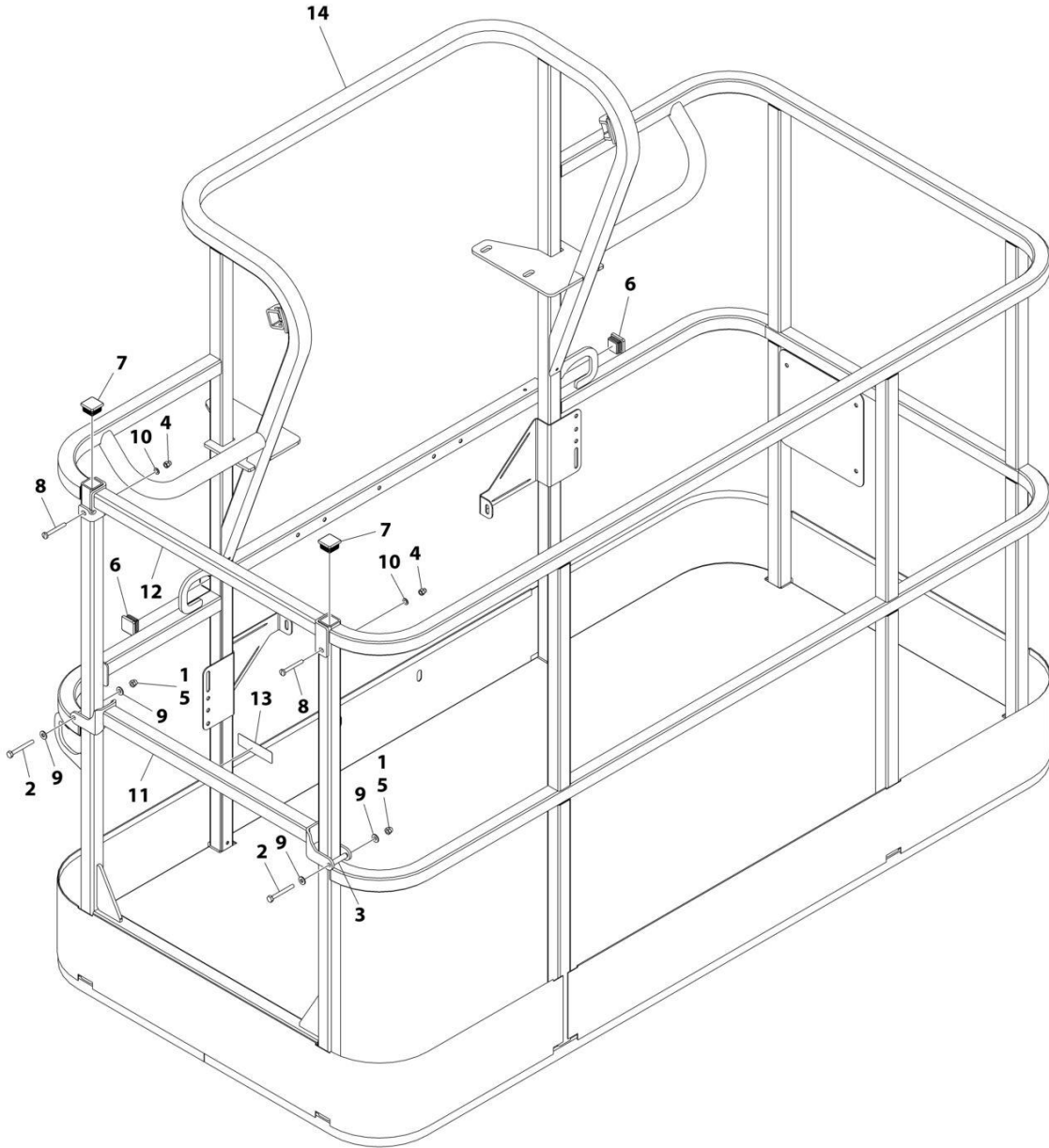
## SECTION 5 - PLATFORM

**FIGURE 5-3. PLATFORM ASSEMBLY WITH DROP-BAR - 30IN X 5FT (76CM X 1.52M)**

| ITEM | PART NUMBER | QTY | DESCRIPTION   | REV |
|------|-------------|-----|---|-----|
|      | 1001186377  | Ref | PLATFORM ASSEMBLY   | C   |
|      |             | Ref | Note: Platform and Mesh must be ordered separately for Platforms with Mesh. See SPECIAL OPTIONS SECTION for Mesh Installations. |     |
|      |             | Ref | Note: Replacement Decals Must be Ordered Separately - See DECALS SECTION.   |     |
| 1    | 0100011     | AR  | Compound, Locking   |     |
| 2    | 0641420     | 2   | Bolt 1/4 x 2-1/2  |     |
| 3    | 0961845     | 2   | Bushing   |     |
| 4    | 3290606     | 2   | Nut M6  |     |
| 5    | 3300151     | 2   | Nut 1/4   |     |
| 6    | 3520072     | 2   | Plug  |     |
| 7    | 3520198     | 2   | Plug  |     |
| 8    | 4010618     | 2   | Screw M6 x 50   |     |
| 9    | 4711400     | 4   | Washer 1/4  |     |
| 10   | 4811700     | 2   | Washer M6   |     |
| 11   | 1001138494  | 1   | Bar, Drop   |     |
| 12   | 1001138514  | 1   | Rail (Top)  |     |
| 13   | 1001140429  | 1   | Decal - Drop Bar  |     |
| 14   | See Note    | NSS | Platform (Note: Not Available - Purchase Platform Assembly)   |     |

# SECTION 5 - PLATFORM

FIGURE 5-4. PLATFORM ASSEMBLY WITH DROP-BAR - 36IN X 6FT (91.5CM X 1.83M)



ART\_1001186379

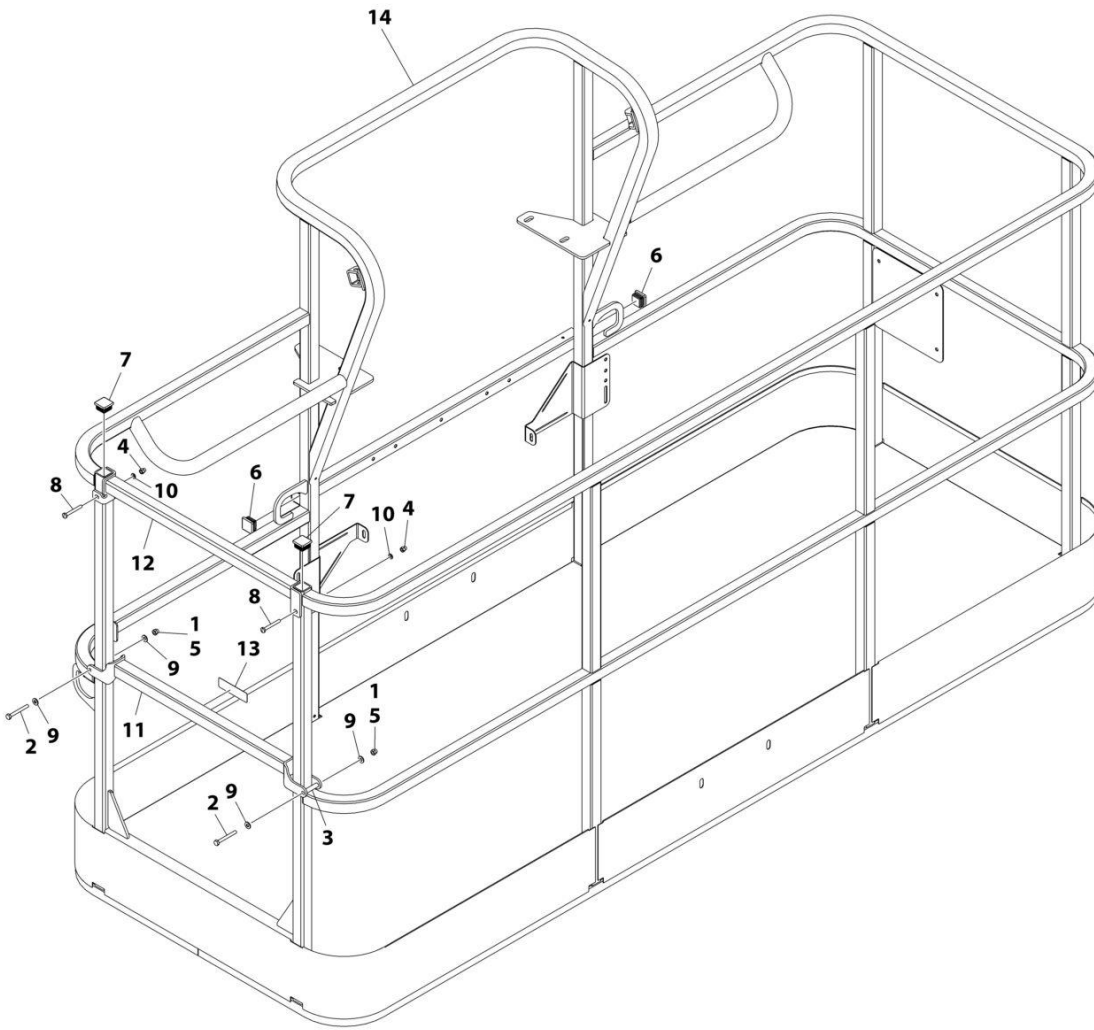
## SECTION 5 - PLATFORM

**FIGURE 5-4. PLATFORM ASSEMBLY WITH DROP-BAR - 36IN X 6FT (91.5CM X 1.83M)**

| ITEM | PART NUMBER | QTY | DESCRIPTION   | REV |
|------|-------------|-----|---|-----|
|      | 1001186379  | Ref | PLATFORM ASSEMBLY - 36IN X 6FT (91.5CM X 1.83M) WITH DROP BAR   | B   |
|      |             | Ref | Note: Platform and Mesh must be ordered separately for Platforms with Mesh. See SPECIAL OPTIONS SECTION for Mesh Installations. |     |
|      |             | Ref | Note: Replacement Decals Must be Ordered Separately - See DECALS SECTION.   |     |
| 1    | 0100011     | AR  | Compound, Locking   |     |
| 2    | 0641418     | 2   | Bolt 1/4 x 2-1/4  |     |
| 3    | 0961845     | 2   | Bushing   |     |
| 4    | 3290606     | 2   | Nut M6  |     |
| 5    | 3300151     | 2   | Nut 1/4   |     |
| 6    | 3520072     | 2   | Plug  |     |
| 7    | 3520198     | 2   | Plug  |     |
| 8    | 4010618     | 2   | Screw M6 x 50   |     |
| 9    | 4711400     | 4   | Washer 1/4  |     |
| 10   | 4811700     | 2   | Washer M6   |     |
| 11   | 1001138494  | 1   | Bar, Drop   |     |
| 12   | 1001138514  | 1   | Rail (Top)  |     |
| 13   | 1001140429  | 1   | Decal - Drop Bar  |     |
| 14   | See Note    | NSS | Platform (Note: Not Available - Purchase Platform Assembly)   |     |

# SECTION 5 - PLATFORM

FIGURE 5-5. PLATFORM ASSEMBLY WITH DROP-BAR - 36IN X 8FT (91.5CM X 2.44M)



ART\_1001186382



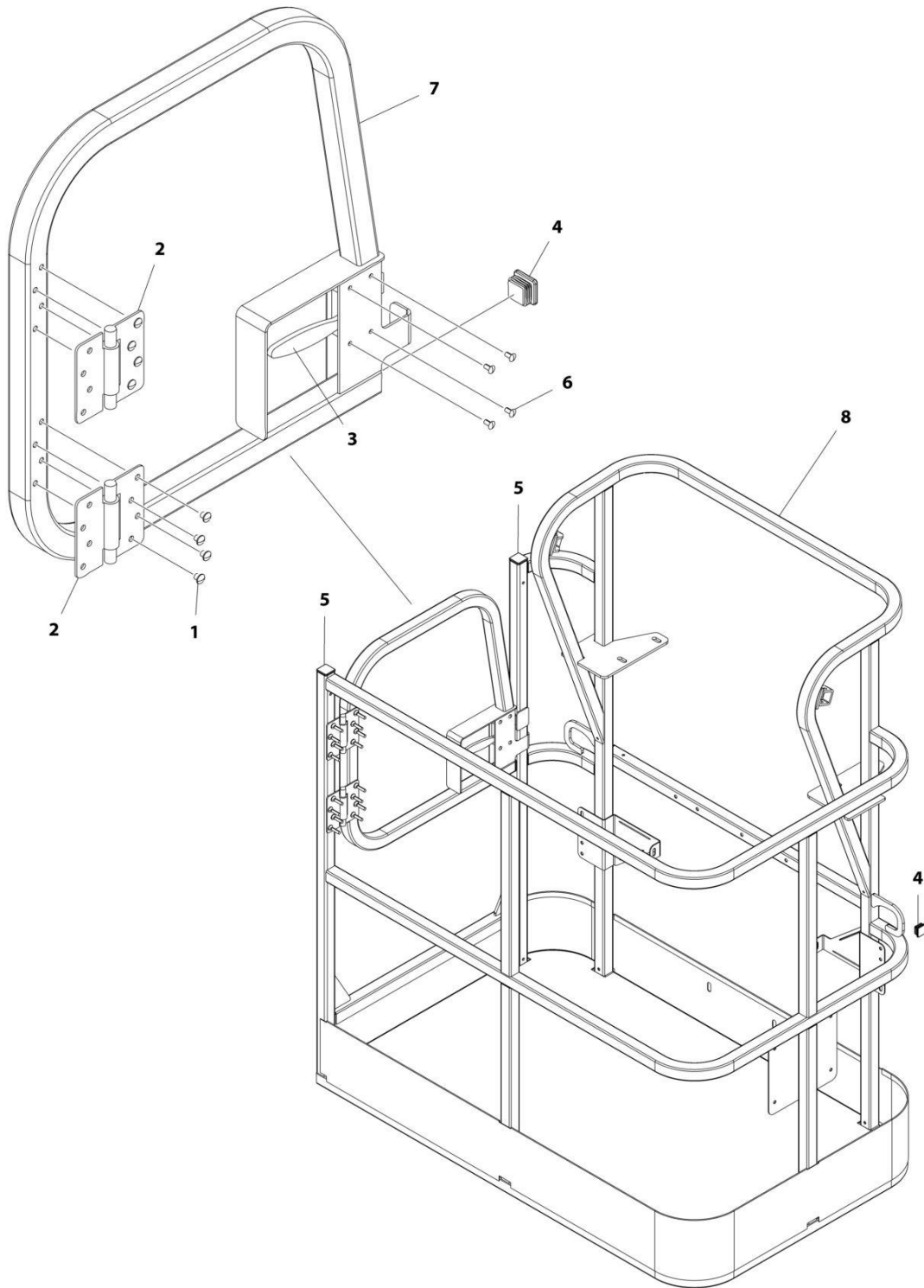
## SECTION 5 - PLATFORM

**FIGURE 5-5. PLATFORM ASSEMBLY WITH DROP-BAR - 36IN X 8FT (91.5CM X 2.44M)**

| ITEM | PART NUMBER | QTY | DESCRIPTION   | REV |
|------|-------------|-----|---|-----|
|      | 1001186382  | Ref | PLATFORM ASSEMBLY - 36IN X 8FT (91.5CM X 2.44M) WITH DROP BAR   | C   |
|      |             | Ref | Note: Platform and Mesh must be ordered separately for Platforms with Mesh. See SPECIAL OPTIONS SECTION for Mesh Installations. |     |
|      |             | Ref | Note: Replacement Decals Must be Ordered Separately - See DECALS SECTION.   |     |
| 1    | 0100011     | AR  | Compound, Locking   |     |
| 2    | 0641418     | 2   | Bolt 1/4 x 2-1/4  |     |
| 3    | 0961845     | 2   | Bushing   |     |
| 4    | 3290606     | 2   | Nut M6  |     |
| 5    | 3300151     | 2   | Nut 1/4   |     |
| 6    | 3520072     | 2   | Plug  |     |
| 7    | 3520198     | 2   | Plug  |     |
| 8    | 4010618     | 2   | Screw M6 x 50   |     |
| 9    | 4711400     | 4   | Washer 1/4  |     |
| 10   | 4811700     | 2   | Washer M6   |     |
| 11   | 1001138494  | 1   | Bar, Drop   |     |
| 12   | 1001138514  | 1   | Rail (Top)  |     |
| 13   | 1001140429  | 1   | Decal - Drop Bar  |     |
| 14   | See Note    | NSS | Platform (Note: Not Available - Purchase Platform Assembly)   |     |

# SECTION 5 - PLATFORM

FIGURE 5-6. PLATFORM ASSEMBLY WITH GATE - 30IN X 4FT (76CM X 1.22M)



ART\_1001186387

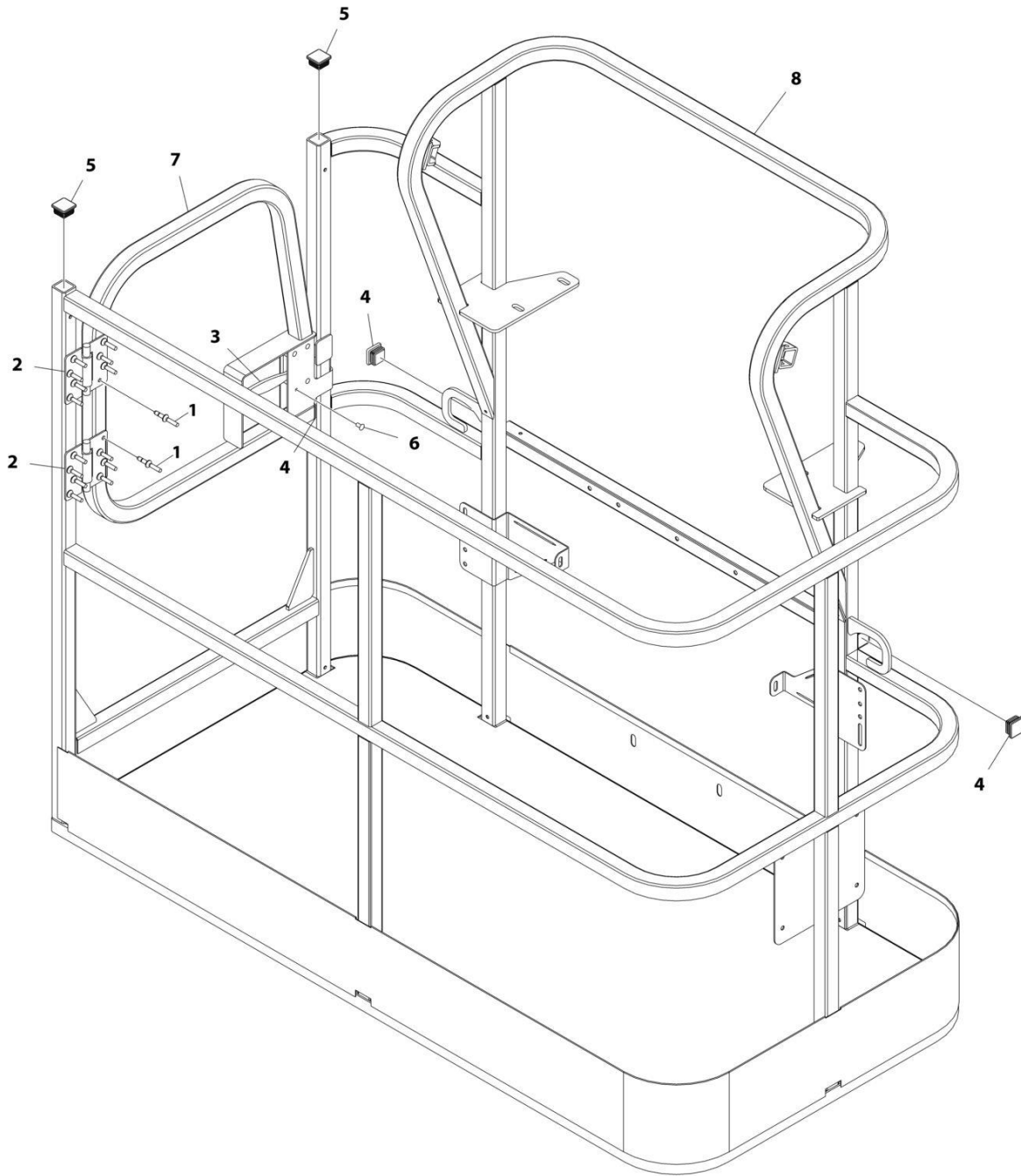
## SECTION 5 - PLATFORM

**FIGURE 5-6. PLATFORM ASSEMBLY WITH GATE - 30IN X 4FT (76CM X 1.22M)**

| ITEM | PART NUMBER | QTY | DESCRIPTION   | REV |
|------|-------------|-----|---|-----|
|      | 1001186387  | Ref | PLATFORM ASSEMBLY   | C   |
|      |             | Ref | Note: Platform and Mesh must be ordered separately for Platforms with Mesh. See SPECIAL OPTIONS SECTION for Mesh Installations. |     |
|      |             | Ref | Note: Replacement Decals Must be Ordered Separately - See DECALS SECTION.   |     |
| 1    | 2080040     | 16  | Fastener, Huck  |     |
| 2    | 2600281     | 2   | Hinge   |     |
| 3    | 2940074     | 1   | Latch   |     |
| 4    | 3520072     | 3   | Plug  |     |
| 5    | 3520198     | 2   | Plug  |     |
| 6    | 3820020     | 4   | Rivet   |     |
| 7    | 1001144629  | 1   | Gate  |     |
| 8    | See Note    | NSS | Platform (Note: Not Available - Purchase Platform Assembly)   |     |

# SECTION 5 - PLATFORM

FIGURE 5-7. PLATFORM ASSEMBLY WITH GATE - 30IN X 5FT (76CM X 1.52M) (USA BUILT MACHINES)



ART\_1001186386

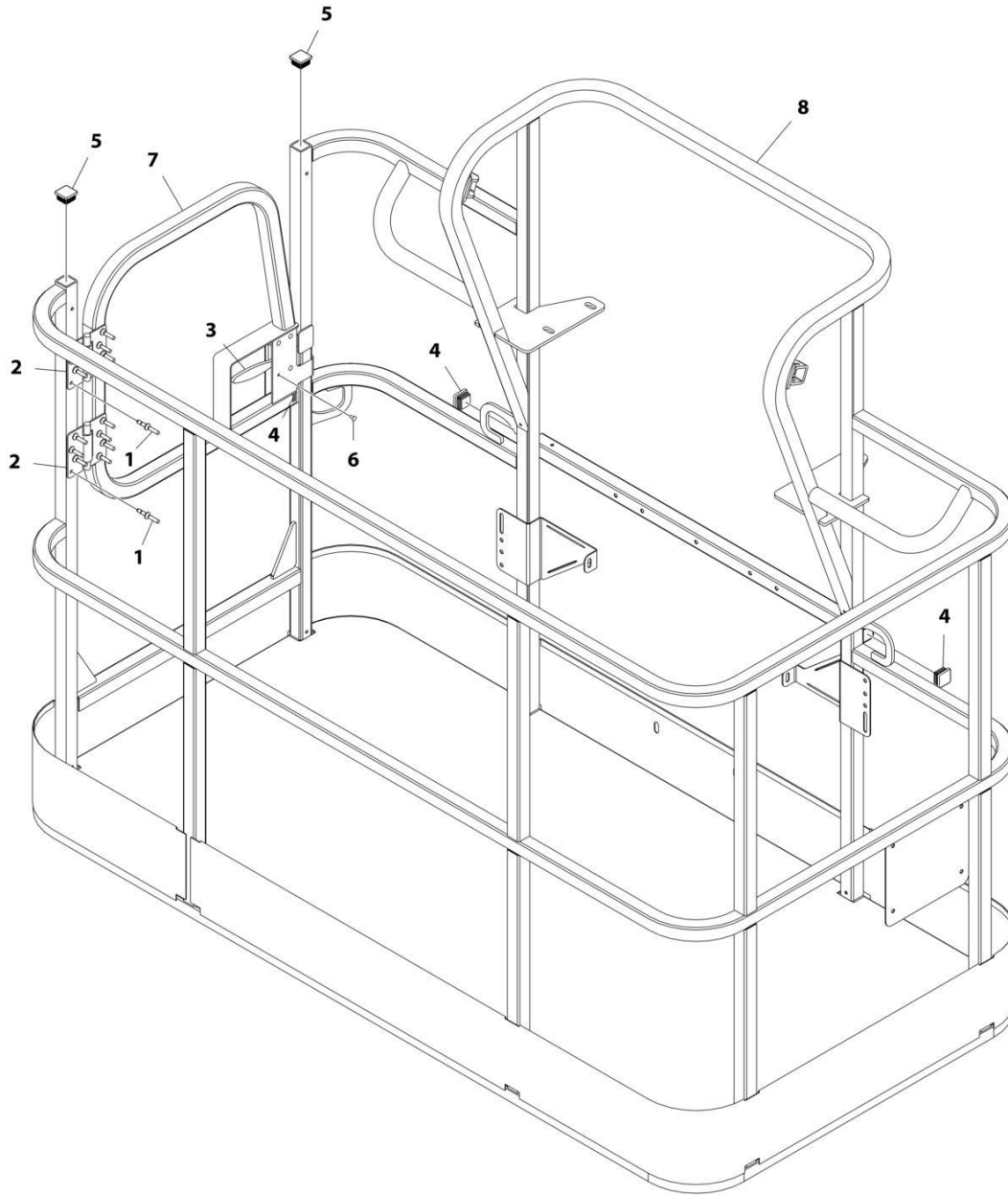
## SECTION 5 - PLATFORM

**FIGURE 5-7. PLATFORM ASSEMBLY WITH GATE - 30IN X 5FT (76CM X 1.52M) (USA BUILT MACHINES)**

| ITEM | PART NUMBER | QTY | DESCRIPTION   | REV |
|------|-------------|-----|---|-----|
|      | 1001186386  | Ref | PLATFORM ASSEMBLY   | C   |
|      |             | Ref | Note: Platform and Mesh must be ordered separately for Platforms with Mesh. See SPECIAL OPTIONS SECTION for Mesh Installations. |     |
|      |             | Ref | Note: Replacement Decals Must be Ordered Separately - See DECALS SECTION.   |     |
| 1    | 2080040     | 16  | Fastener, Huck  |     |
| 2    | 2600281     | 2   | Hinge, Self-Closing   |     |
| 3    | 2940074     | 1   | Latch   |     |
| 4    | 3520072     | 3   | Plug  |     |
| 5    | 3520198     | 2   | Plug  |     |
| 6    | 3820020     | 4   | Rivet   |     |
| 7    | 1001144629  | 1   | Gate  |     |
| 8    | See Note    | NSS | Platform (Note: Not Available - Purchase Platform Assembly)   |     |

# SECTION 5 - PLATFORM

FIGURE 5-8. PLATFORM ASSEMBLY WITH GATE- 36IN X 6FT (91.5CM X 1.83M)



ART\_1001186384

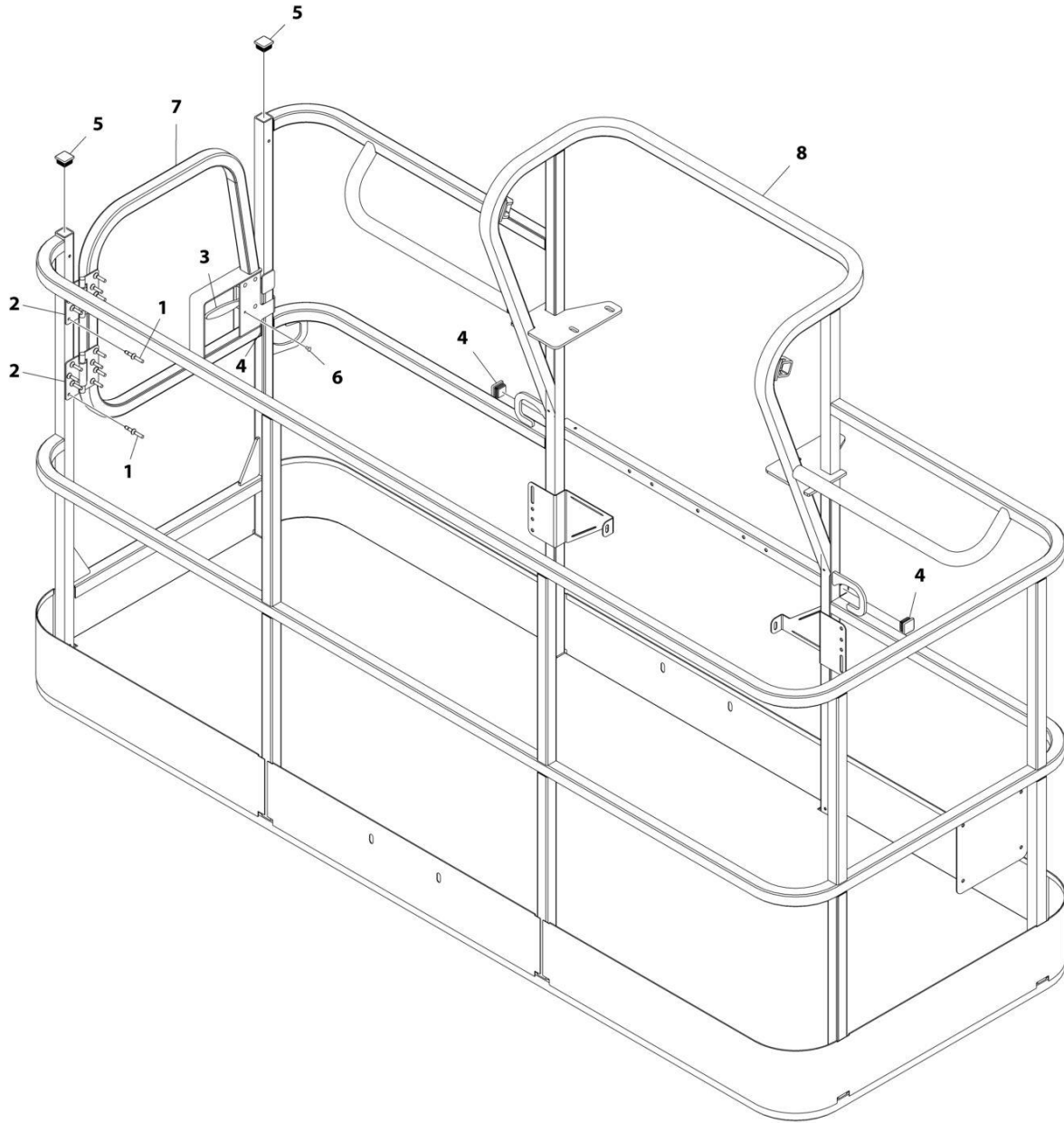
## SECTION 5 - PLATFORM

**FIGURE 5-8. PLATFORM ASSEMBLY WITH GATE- 36IN X 6FT (91.5CM X 1.83M)**

| ITEM | PART NUMBER | QTY | DESCRIPTION   | REV |
|------|-------------|-----|---|-----|
|      | 1001186384  | Ref | PLATFORM ASSEMBLY - 36IN X 6FT (91.5CM X 1.83M) WITH SWING GATE   | C   |
|      | See Note    | Ref | Note: Platform and Mesh must be ordered separately for Platforms with Mesh. See SPECIAL OPTIONS SECTION for Mesh Installations. |     |
|      | See Note    | Ref | Note: Replacement Decals Must be Ordered Separately - See DECALS SECTION.   |     |
| 1    | 2080040     | 16  | Fastener, Huck  |     |
| 2    | 2600281     | 2   | Hinge   |     |
| 3    | 2940074     | 1   | Latch   |     |
| 4    | 3520072     | 3   | Plug  |     |
| 5    | 3520198     | 2   | Plug  |     |
| 6    | 3820020     | 4   | Rivet   |     |
| 7    | 1001144629  | 1   | Gate  |     |
| 8    | See Note    | NSS | Platform (Note: Not Available - Purchase Platform Assembly)   |     |

# SECTION 5 - PLATFORM

FIGURE 5-9. PLATFORM ASSEMBLY WITH GATE - 36IN X 8FT (91.5CM X 2.44M)



ART\_1001186383



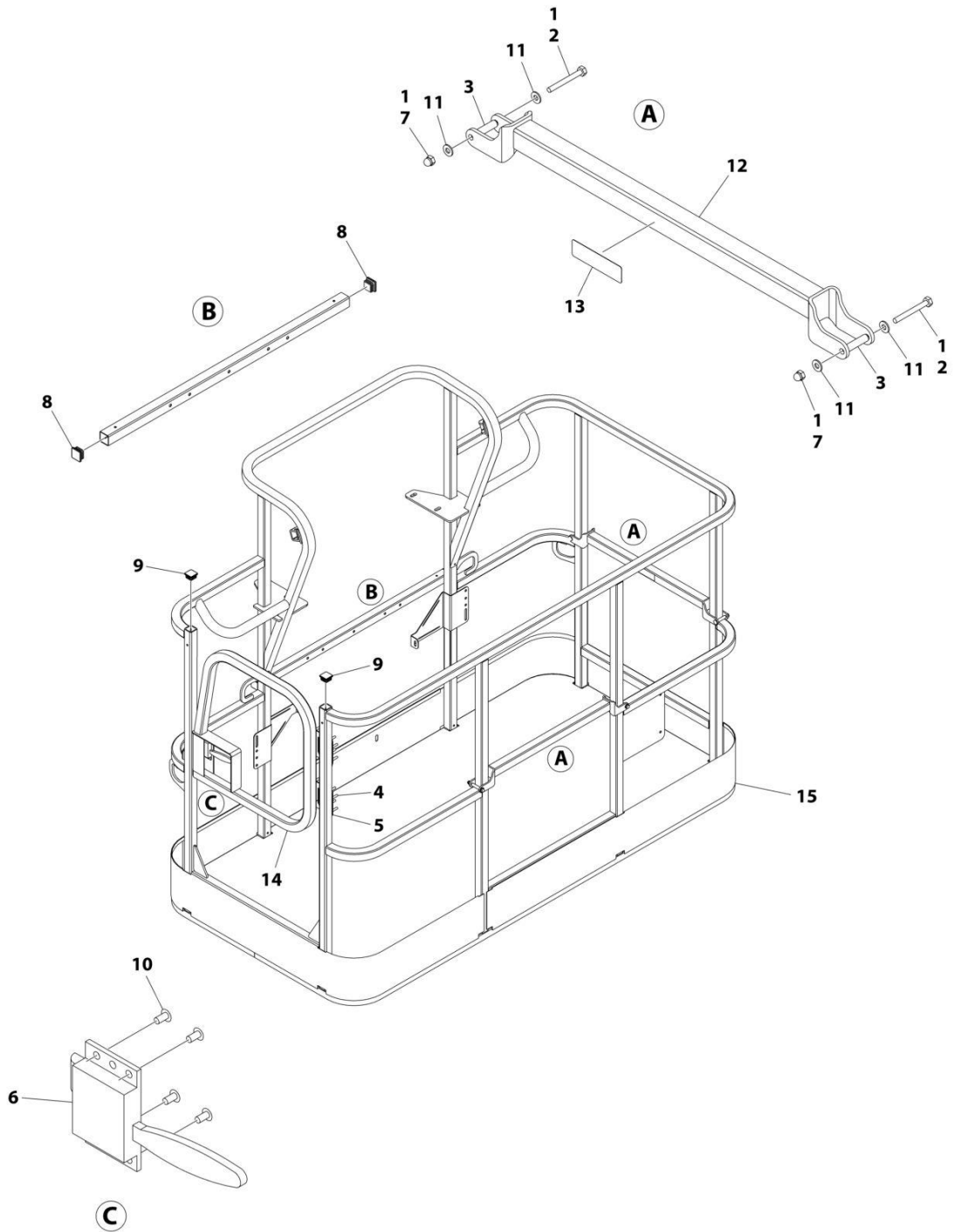
## SECTION 5 - PLATFORM

**FIGURE 5-9. PLATFORM ASSEMBLY WITH GATE - 36IN X 8FT (91.5CM X 2.44M)**

| ITEM | PART NUMBER | QTY | DESCRIPTION   | REV |
|------|-------------|-----|---|-----|
|      | 1001186383  | Ref | PLATFORM ASSEMBLY - 36IN X 8FT (91.5CM X 2.44M) WITH SWING GATE   | D   |
|      |             | Ref | Note: Platform and Mesh must be ordered separately for Platforms with Mesh. See SPECIAL OPTIONS SECTION for Mesh Installations. |     |
|      |             | Ref | Note: Replacement Decals Must be Ordered Separately - See DECALS SECTION.   |     |
| 1    | 2080040     | 16  | Fastener, Huck  |     |
| 2    | 2600281     | 2   | Hinge   |     |
| 3    | 2940074     | 1   | Latch   |     |
| 4    | 3520072     | 3   | Plug  |     |
| 5    | 3520198     | 2   | Plug  |     |
| 6    | 3820020     | 4   | Rivet   |     |
| 7    | 1001144629  | 1   | Gate  |     |
| 8    | See Note    | NSS | Platform (Note: Not Available - Purchase Platform Assembly)   |     |

# SECTION 5 - PLATFORM

FIGURE 5-10. PLATFORM ASSEMBLY WITH 1 GATE / 2 DROP BARS (TRI-ENTRY) - 36IN X 6FT (91.5CM X 1.83M)



ART\_1001228376

## SECTION 5 - PLATFORM

**FIGURE 5-10. PLATFORM ASSEMBLY WITH 1 GATE / 2 DROP BARS (TRI-ENTRY) - 36IN X 6FT  
(91.5CM X 1.83M)**

| ITEM | PART NUMBER | QTY | DESCRIPTION   | REV |
|------|-------------|-----|---|-----|
|      | 1001228376  | Ref | PLATFORM ASSEMBLY - 36IN x 6FT (91.5CM x 1.83M)   | B   |
|      |             | Ref | Note: Platform and Mesh must be ordered separately for Platforms with Mesh. See SPECIAL OPTIONS SECTION for Mesh Installations. |     |
|      |             | Ref | Note: Replacement Decals Must be Ordered Separately - See DECAL SECTION.  |     |
| 1    | 0100011     | AR  | Compound, Locking   |     |
| 2    | 0641418     | 4   | Bolt 1/4 x 2-1/4  |     |
| 3    | 0961845     | 4   | Bushing   |     |
| 4    | 2080040     | 16  | Fastener  |     |
| 5    | 2600281     | 2   | Hinge   |     |
| 6    | 2940074     | 1   | Latch   |     |
| 7    | 3300151     | 4   | Nut 1/4   |     |
| 8    | 3520072     | 3   | Plug  |     |
| 9    | 3520198     | 2   | Plug  |     |
| 10   | 3820020     | 4   | Rivet   |     |
| 11   | 4711400     | 8   | Washer 1/4  |     |
| 12   | 1001138494  | 2   | Bar, Drop   |     |
| 13   | 1001140429  | 2   | Decal - Drop Bar  |     |
| 14   | 1001144629  | 1   | Gate  |     |
| 15   | See Note    | NSS | Platform (Note: Not Available - Purchase Platform Assembly)   |     |



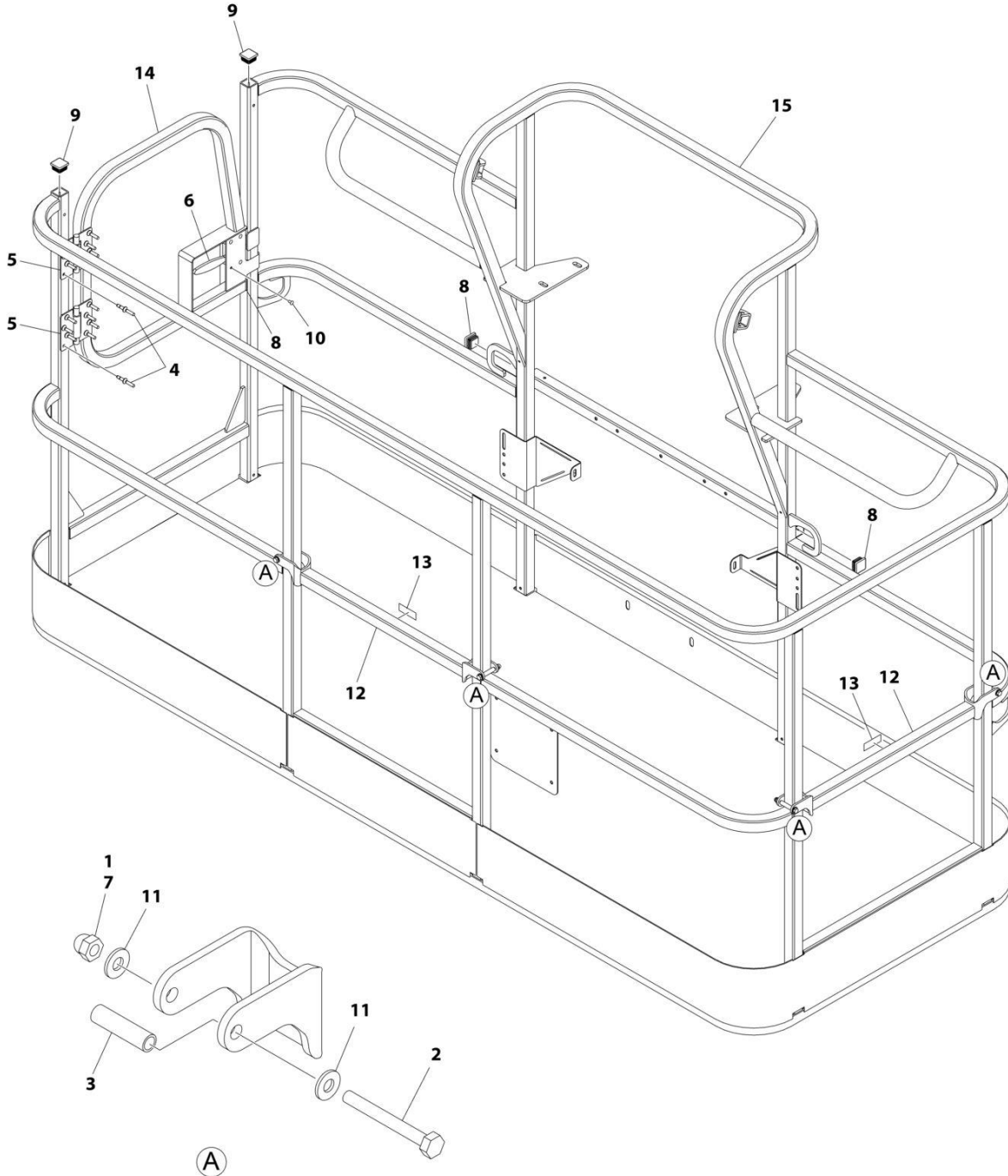
## SECTION 5 - PLATFORM

**FIGURE 5-11. PLATFORM ASSEMBLY WITH 3 DROP BARS (TRI-ENTRY) - 36IN X 6FT (91.5CM X 1.83M)**

| ITEM | PART NUMBER | QTY | DESCRIPTION   | REV |
|------|-------------|-----|---|-----|
|      | 1001228377  | Ref | PLATFORM ASSEMBLY - 36IN x 6FT (91.5CM x 1.83M)   | B   |
|      |             | Ref | Note: Platform and Mesh must be ordered separately for Platforms with Mesh. See SPECIAL OPTIONS SECTION for Mesh Installations. |     |
|      |             | Ref | Note: Replacement Decals Must be Ordered Separately - See DECAL SECTION.  |     |
| 1    | 0100011     | 1   | Compound, Locking   |     |
| 2    | 0641418     | 6   | Bolt 1/4 x 2-1/4  |     |
| 3    | 0961845     | 6   | Bushing   |     |
| 4    | 3290606     | 2   | Nut M6  |     |
| 5    | 3300151     | 6   | Nut 1/4   |     |
| 6    | 3520072     | 2   | Plug  |     |
| 7    | 3520198     | 2   | Plug  |     |
| 8    | 4010618     | 2   | Screw M6 x 50   |     |
| 9    | 4711400     | 12  | Washer 1/4  |     |
| 10   | 4811700     | 2   | Washer M6   |     |
| 11   | 1001138494  | 3   | Bar, Drop   |     |
| 12   | 1001138514  | 1   | Rail (Top)  |     |
| 13   | 1001140429  | 3   | Decal - Drop Bar  |     |
| 14   | See Note    | NSS | Platform, Weldment (Note: Not Available - Purchase Platform Assembly)   |     |

# SECTION 5 - PLATFORM

FIGURE 5-12. PLATFORM ASSEMBLY WITH 1 GATE / 2 DROP BARS (TRI-ENTRY) - 36IN X 8FT  
(91.5CM X 2.44M)



ART\_1001228243

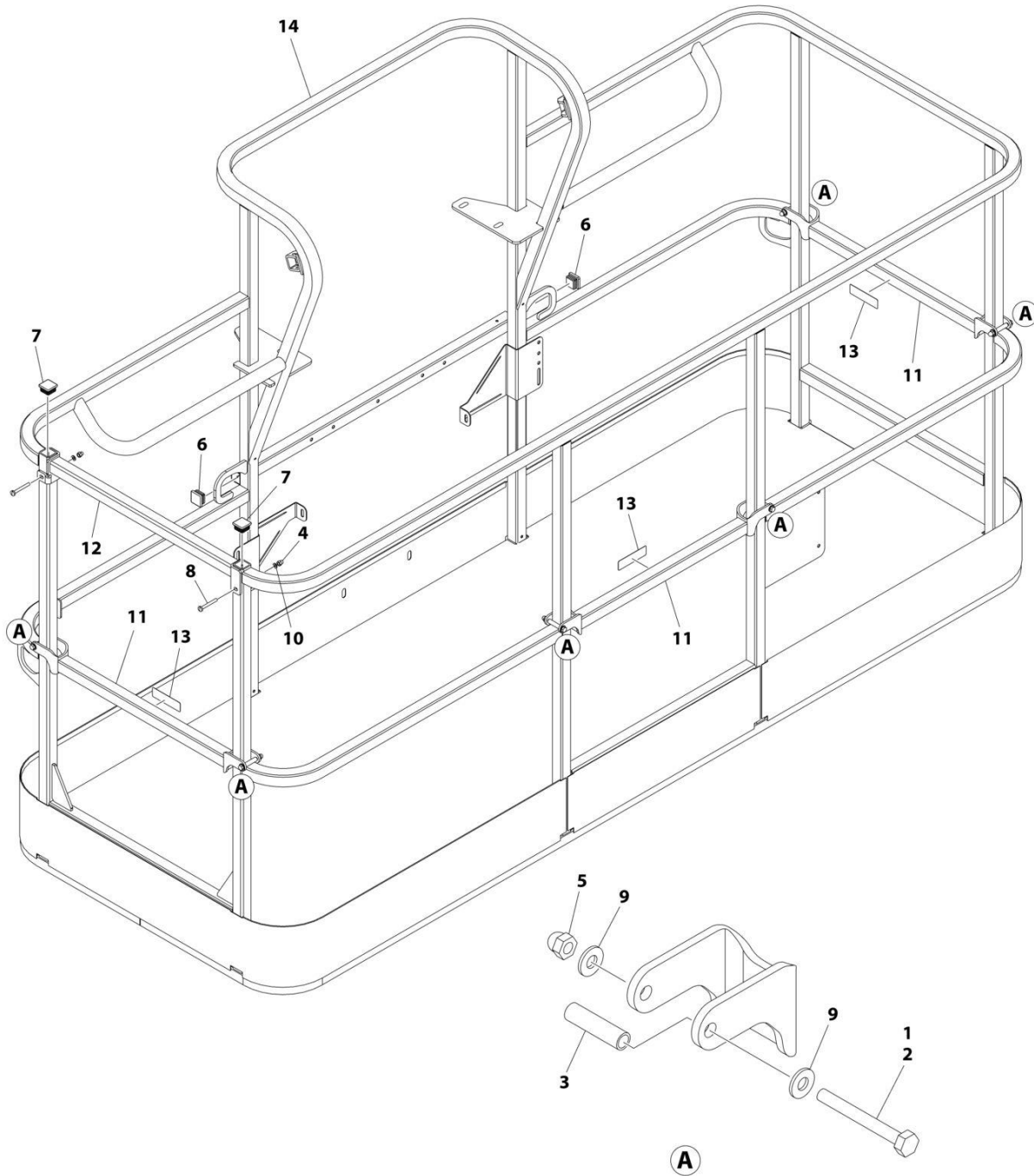
## SECTION 5 - PLATFORM

**FIGURE 5-12. PLATFORM ASSEMBLY WITH 1 GATE / 2 DROP BARS (TRI-ENTRY) - 36IN X 8FT  
(91.5CM X 2.44M)**

| ITEM | PART NUMBER | QTY | DESCRIPTION   | REV |
|------|-------------|-----|---|-----|
|      | 1001228243  | Ref | PLATFORM ASSEMBLY - 36IN X 8FT (91.5CM X 2.44M) WITH TRI-ENTRY  | A   |
|      |             | Ref | Note: Platform and Mesh must be ordered separately for Platforms with Mesh. See SPECIAL OPTIONS SECTION for Mesh Installations. |     |
| 1    | 0100011     | AR  | Compound, Locking   |     |
| 2    | 0641418     | 4   | Bolt 1/4 x 2-1/4  |     |
| 3    | 0961845     | 4   | Bushing   |     |
| 4    | 2080040     | 16  | Fastener, Huck  |     |
| 5    | 2600281     | 2   | Hinge, Self-Closing   |     |
| 6    | 2940074     | 1   | Latch   |     |
| 7    | 3300151     | 4   | Nut 1/4   |     |
| 8    | 3520072     | 3   | Cap, Plug   |     |
| 9    | 3520198     | 2   | Cap, Plug   |     |
| 10   | 3820020     | 4   | Rivet   |     |
| 11   | 4711400     | 8   | Washer 1/4  |     |
| 12   | 1001138494  | 2   | Bar, Drop   |     |
| 13   | 1001140429  | 2   | Decal - Drop Bar  |     |
| 14   | 1001144629  | 1   | Gate, Weldment  |     |
| 15   | See Note    | 1   | Platform (Note: Not Available - Purchase Platform Assembly)   |     |

# SECTION 5 - PLATFORM

FIGURE 5-13. PLATFORM ASSEMBLY WITH 3 DROP BARS (TRI-ENTRY) - 36IN X 8FT (91.5CM X 2.44M)



ART\_1001228375



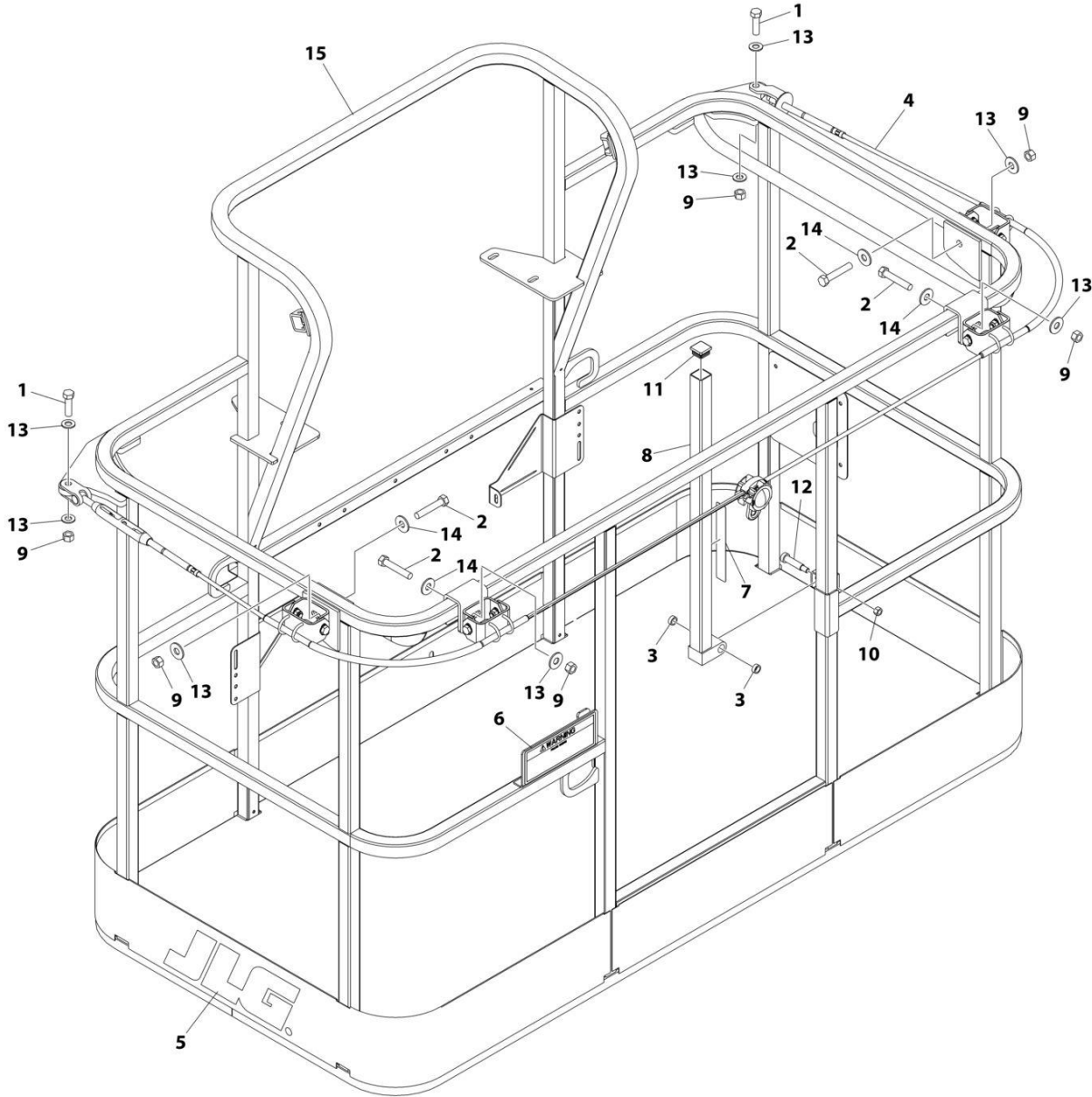
## SECTION 5 - PLATFORM

**FIGURE 5-13. PLATFORM ASSEMBLY WITH 3 DROP BARS (TRI-ENTRY) - 36IN X 8FT (91.5CM X 2.44M)**

| ITEM | PART NUMBER | QTY | DESCRIPTION   | REV |
|------|-------------|-----|---|-----|
|      | 1001228375  | Ref | PLATFORM ASSEMBLY - 36IN X 8FT (91.5CM X 2.44M) WITH TRI-ENTRY  | A   |
|      |             | Ref | Note: Platform and Mesh must be ordered separately for Platforms with Mesh. See SPECIAL OPTIONS SECTION for Mesh Installations. |     |
|      |             | Ref | Note: Replacement Decals Must be Ordered Separately - See DECAL SECTION.  |     |
| 1    | 0100011     | AR  | Compound, Locking   |     |
| 2    | 0641418     | 6   | Bolt 1/4 x 2-1/4  |     |
| 3    | 0961845     | 6   | Bushing   |     |
| 4    | 3290606     | 2   | Nut M6 x 1  |     |
| 5    | 3300151     | 6   | Nut 1/4   |     |
| 6    | 3520072     | 2   | Cap, Plug   |     |
| 7    | 3520198     | 2   | Cap, Plug   |     |
| 8    | 4010618     | 2   | Screw M6 x 50   |     |
| 9    | 4711400     | 12  | Washer 1/4  |     |
| 10   | 4811700     | 2   | Washer M6   |     |
| 11   | 1001138494  | 3   | Bar, Drop   |     |
| 12   | 1001138514  | 1   | Rail (Top)  |     |
| 13   | 1001140429  | 3   | Decal - Drop Bar  |     |
| 14   | See Note    | 1   | Platform (Note: Not Available - Purchase Platform Assembly)   |     |

# SECTION 5 - PLATFORM

## FIGURE 5-14. PLATFORM ASSEMBLY WITH FALL ARREST (6FT)



ART\_1001186333

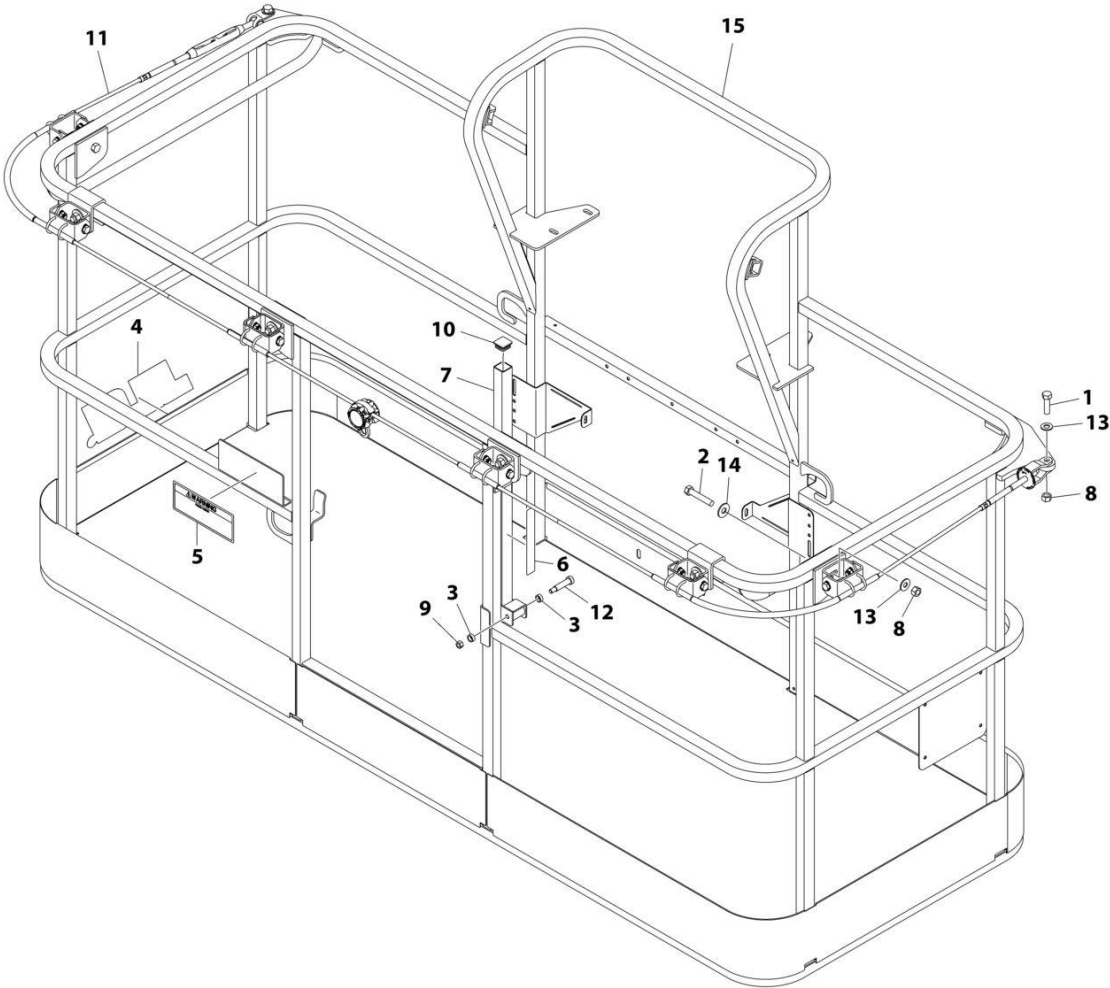
## SECTION 5 - PLATFORM

**FIGURE 5-14. PLATFORM ASSEMBLY WITH FALL ARREST (6FT)**

| ITEM | PART NUMBER | QTY | DESCRIPTION   | REV |
|------|-------------|-----|---|-----|
|      | 1001186333  | Ref | PLATFORM ASSEMBLY   | C   |
|      |             | Ref | Note: Replacement Decals Must be Ordered Separately - See DECALS SECTION. |     |
| 1    | 0681814     | 2   | Bolt 1/2 x 1-3/4 Grade 8  |     |
| 2    | 0681822     | 4   | Bolt 1/2 x 2-3/4 Grade 8  |     |
| 3    | 0962270     | 2   | Bearing   |     |
| 4    | 1001203655  | 1   | Cable   |     |
| 5    | 1702773     | 1   | Decal - JLG   |     |
| 6    | 1705014     | 1   | Decal - Safety  |     |
| 7    | 1706385     | 1   | Decal - Drop Bar  |     |
| 8    | 2410014     | 1   | Bar, Drop   |     |
| 9    | 3271805     | 6   | Nut 1/2 Grade 8   |     |
| 10   | 3311605     | 1   | Nut 3/8   |     |
| 11   | 3520072     | 1   | Plug  |     |
| 12   | 3900054     | 1   | Bolt 1/2 x 1-3/4  |     |
| 13   | 4711800     | 8   | Washer 1/2  |     |
| 14   | 4751800     | 4   | Washer 1/2  |     |
| 15   | See Note    | NSS | Platform (Note: Not Available - Purchase Platform Assembly)               |     |

**SECTION 5 - PLATFORM**

**FIGURE 5-15. PLATFORM ASSEMBLY WITH FALL ARREST (8FT)**



ART\_1001186334

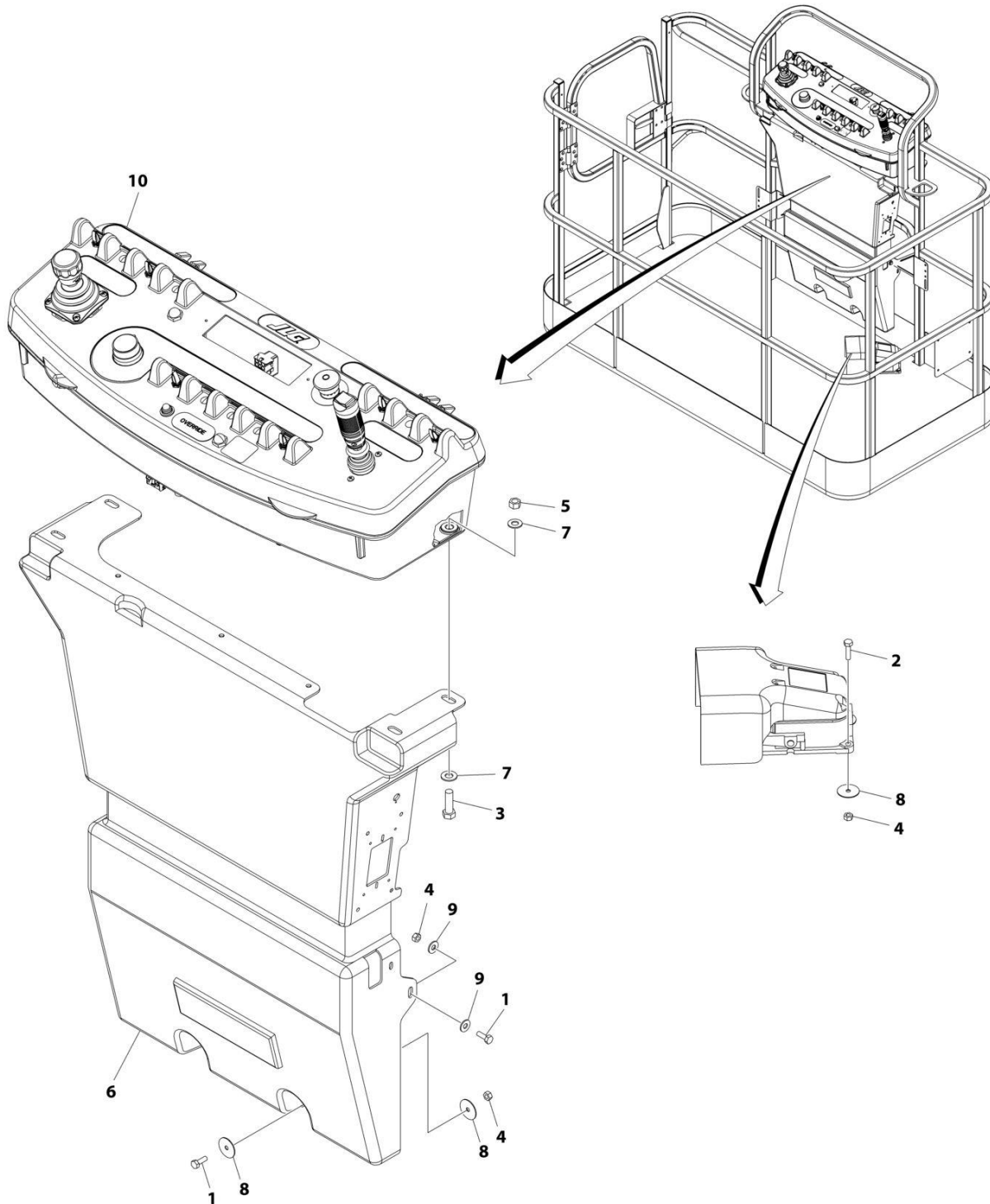
## SECTION 5 - PLATFORM

**FIGURE 5-15. PLATFORM ASSEMBLY WITH FALL ARREST (8FT)**

| ITEM | PART NUMBER | QTY | DESCRIPTION   | REV |
|------|-------------|-----|---|-----|
|      | 1001186334  | Ref | PLATFORM ASSEMBLY   | D   |
|      |             | Ref | Note: Replacement Decals Must be Ordered Separately - See DECALS SECTION. |     |
| 1    | 0681814     | 2   | Bolt 1/2 x 1-3/4 Grade 8  |     |
| 2    | 0681822     | 6   | Bolt 1/2 x 2-3/4 Grade 8  |     |
| 3    | 0962270     | 2   | Bearing   |     |
| 4    | 1702773     | 1   | Decal - JLG   |     |
| 5    | 1705014     | 1   | Decal - Safety  |     |
| 6    | 1706385     | 1   | Decal - Drop Bar  |     |
| 7    | 2410014     | 1   | Bar, Drop   |     |
| 8    | 3271805     | 8   | Nut 1/2 Grade 8   |     |
| 9    | 3311605     | 1   | Nut 3/8   |     |
| 10   | 3520072     | 1   | Plug  |     |
| 11   | 1001203656  | 1   | Cable   |     |
| 12   | 3900054     | 1   | Bolt 1/2 x 1-3/4  |     |
| 13   | 4711800     | 2   | Washer 1/2  |     |
| 14   | 4751800     | 6   | Washer 1/2  |     |
| 15   | See Note    | NSS | Platform (Note: Purchase Platform Assembly)                               |     |

# SECTION 5 - PLATFORM

## FIGURE 5-16. PLATFORM CONSOLE AND FOOTSWITCH INSTALLATION



ART\_1001241703

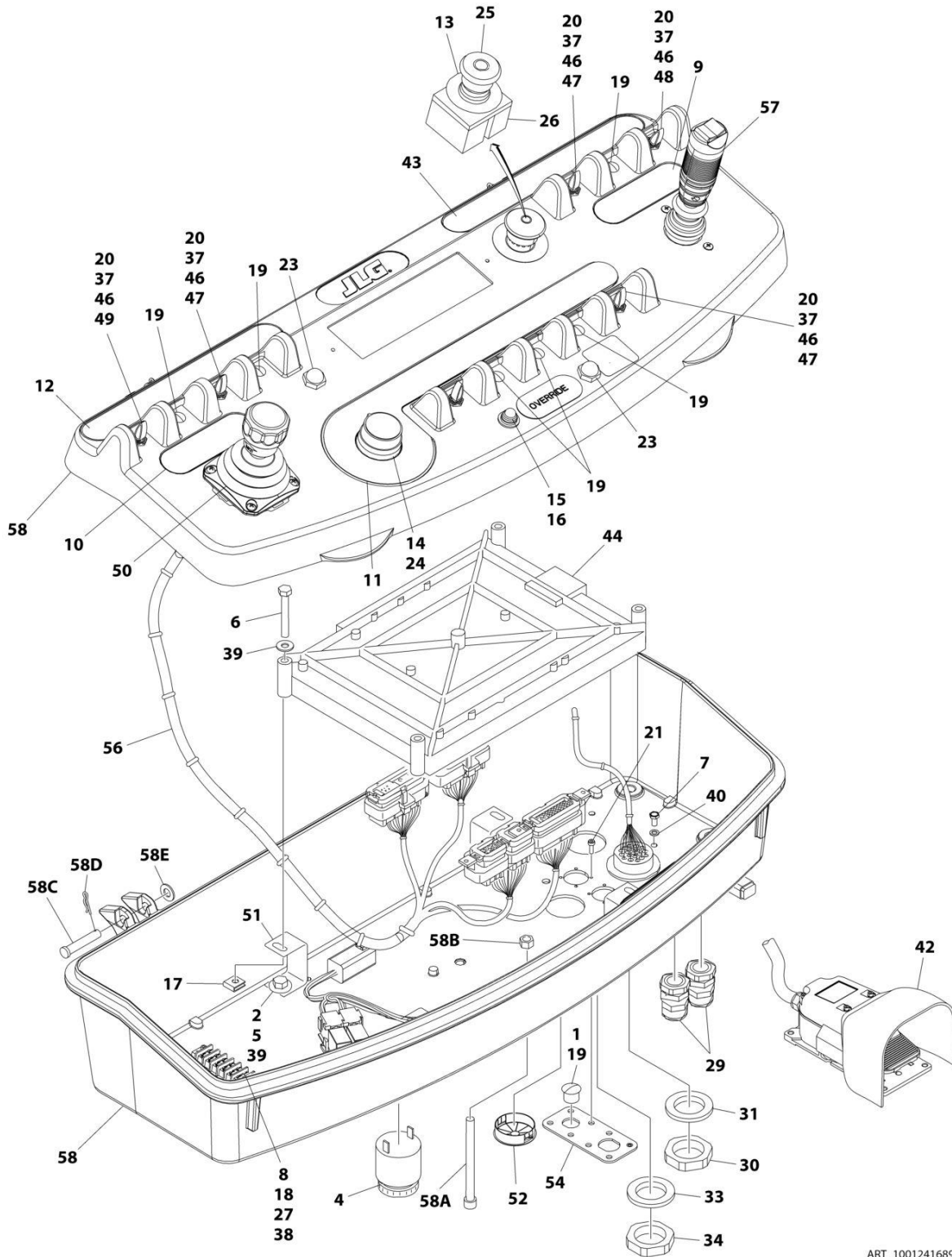
## SECTION 5 - PLATFORM

**FIGURE 5-16. PLATFORM CONSOLE AND FOOTSWITCH INSTALLATION**

| ITEM | PART NUMBER | QTY | DESCRIPTION  | REV |
|------|-------------|-----|--|-----|
|      | 1001241703  | Ref | PLATFORM CONSOLE AND FOOTSWITCH INSTALLATION                       | B   |
| 1    | 0641406     | 4   | Bolt 1/4 x 3/4   |     |
| 2    | 0641408     | 3   | Bolt 1/4 x 1   |     |
| 3    | 0641610     | 4   | Bolt 3/8 x 1-1/4   |     |
| 4    | 3311405     | 7   | Nut 1/4  |     |
| 5    | 3311605     | 4   | Nut 3/8  |     |
| 6    | 3380434     | 1   | Panel  |     |
| 7    | 4751600     | 8   | Washer 3/8   |     |
| 8    | 4740362     | 7   | Washer   |     |
| 9    | 4751400     | 4   | Washer 1/4   |     |
| 10   | 1001241689  | 1   | Platform Console Assembly (See Separate Breakdown in this Section) |     |

# SECTION 5 - PLATFORM

## FIGURE 5-17. PLATFORM CONSOLE ASSEMBLY



ART\_1001241689



## SECTION 5 - PLATFORM

### FIGURE 5-17. PLATFORM CONSOLE ASSEMBLY

| ITEM | PART NUMBER | QTY | DESCRIPTION  | REV |
|------|-------------|-----|--|-----|
|      | 1001241689  | Ref | CONSOLE BOX ASSEMBLY   | B   |
| 1    | 0100009     | AR  | Sealant  |     |
| 2    | 0100035     | AR  | Compound, Locking  |     |
| 3    | 0100048     | AR  | Grease, Dielectric   |     |
| 4    | 0140011     | 1   | Alarm  |     |
| 5    | 0641406     | 4   | Bolt 1/4 x 3/4   |     |
| 6    | 0641414     | 4   | Bolt 1/4 x 1-3/4   |     |
| 7    | 0721003     | 2   | Screw #10 x 3/8  |     |
| 8    | 0721006     | 2   | Screw #10 x 3/4  |     |
| 9    | 1702565     | 1   | Decal - Drive and Steer  |     |
| 10   | 1702566     | 1   | Decal - Lift and Swing   |     |
| 11   | 1702567     | 1   | Decal - Function Speed   |     |
| 12   | 1001184626  | 1   | Decal - Horn   |     |
| 13   | 1704260     | 1   | Decal - Emergency Stop   |     |
| 14   | 2560136     | 1   | Knob   |     |
| 15   | 2920028     | 1   | Light, Indicator   |     |
| 16   | 2920029     | 1   | Lamp, Bulb   |     |
| 17   | 3300353     | 4   | Nut, Tinnerman   |     |
| 18   | 3311005     | 2   | Nut #10  |     |
| 19   | 3520054     | 7   | Plug, Hole   |     |
| 20   | 3790012     | 6   | O-Ring   |     |
| 21   | 3900349     | 8   | Capscrew M2.5  |     |
| 22   | 4240032     | AR  | Tie-Strap (Not Shown)  |     |
| 23   | 4360387     | 2   | Switch, Push Button  |     |
| 24   | 4360407     | 1   | Switch, Flow Control   |     |
| 24   | See Note    | 1   | Gasket "Top Hat" (Included with Switch) (Note: Not Available for Purchase)         |     |
| 24   | 70003784    | 1   | Seal   |     |
| 25   | 4360475     | 1   | Switch, Emergency Stop   |     |
| 25   | 7020175     | 1   | Cap, Red   |     |
| 25   | 7020176     | 1   | Block, Contact   |     |
| 26   | 4360476     | 1   | Switch, Contact  |     |
| 27   | 4460007     | 1   | Bussbar  |     |
| 28   | 4460234     | 2   | Mount, Tie-Strap   |     |
| 29   | 4460428     | 2   | Connector, Strain Relief   |     |
| 30   | 4460470     | 1   | Nut  |     |
| 31   | 4460471     | 1   | Washer   |     |
| 32   | 4460488     | 3   | Mount, Tie-Strap (Not Shown)   |     |
| 33   | 4460496     | 1   | Washer   |     |
| 34   | 4460497     | 1   | Nut  |     |
| 35   | 4460708     | 2   | Connector - 15 Position (Not Shown)  |     |
| 36   | 4460905     | AR  | Plug, Terminal (Not Shown)   |     |
| 37   | 4740397     | 6   | Spacer, Washer   |     |
| 38   | 4751000     | 2   | Washer #10   |     |
| 39   | 4751400     | 8   | Washer 1/4   |     |
| 40   | 4761000     | 2   | Washer #10   |     |
| 41   | 4922666     | 1   | Harness, Analyzer Cable (Not Shown - See Separate Breakdown in ELECTRICAL SECTION) |     |
| 42   | 1001117174  | 1   | Footswitch Assembly (See Separate Breakdown in this Section)                       |     |
| 43   | 1001184618  | 1   | Decal - Stop   |     |

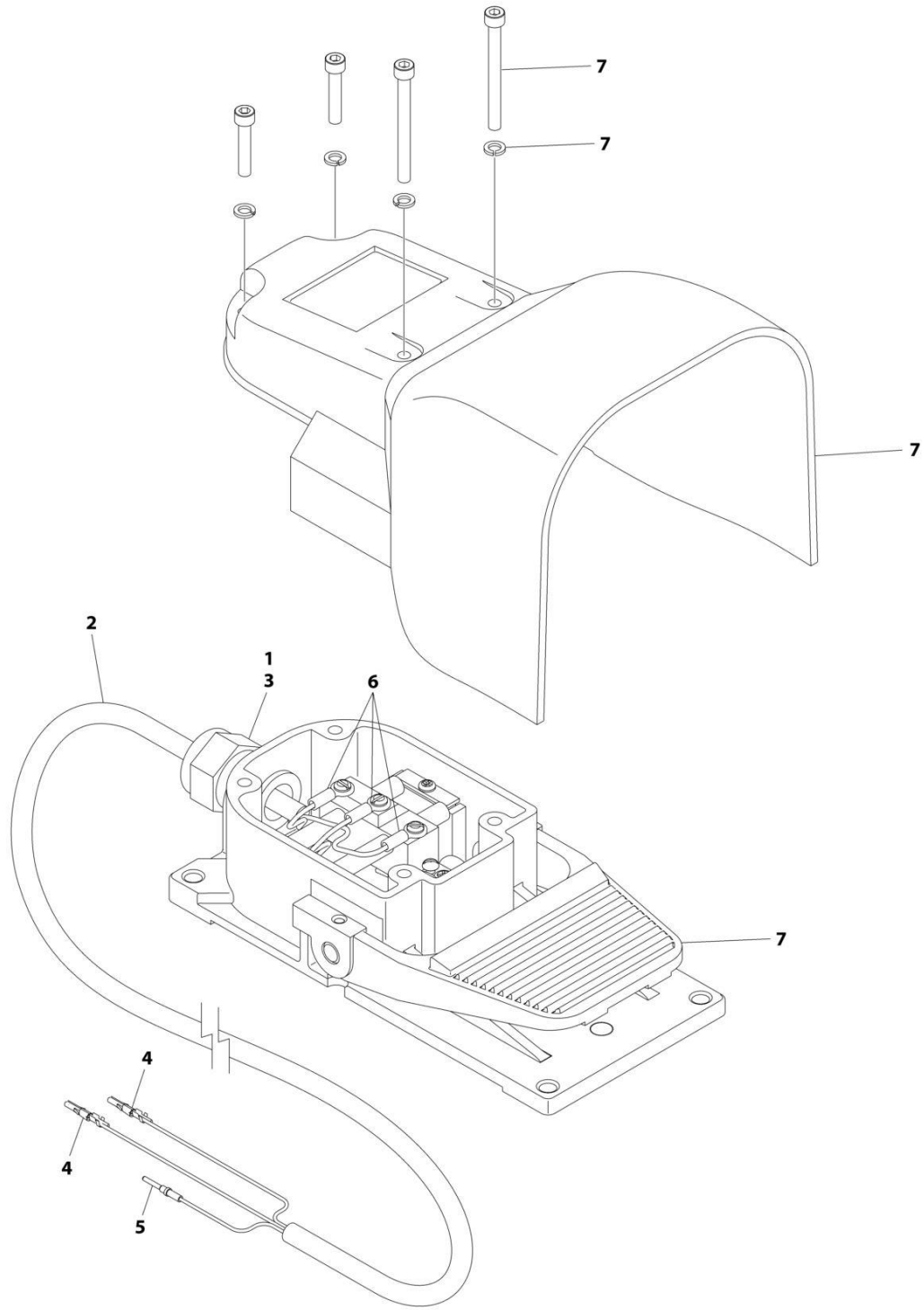
## SECTION 5 - PLATFORM

| ITEM | PART NUMBER | QTY | DESCRIPTION  | REV |
|------|-------------|-----|--|-----|
| 44   | 1001141138  | 1   | Module, Platform (Note: Re-calibration Required when Replaced)                       |     |
| 46   | 1001155044  | 6   | Nut 15/32  |     |
| 47   | 1001155045  | 4   | Switch, Toggle   |     |
| 48   | 1001159256  | 1   | Switch, Toggle   |     |
| 49   | 1001161709  | 1   | Switch, Toggle   |     |
| 50   | 1001166539  | NLA | Controller Lift/Swing (Use p/n 1001129555) (See Separate Breakdown in this Section)  |     |
| 51   | 1001172760  | 4   | Bracket  |     |
| 52   | 1001185281  | 1   | Plug   |     |
| 54   | 1001213882  | 1   | Mount  |     |
| 56   | 1001244181  | 1   | Harness, Console Box (See Separate Breakdown in ELECTRICAL SECTION)                  |     |
| 57   | 1001166538  | NLA | Controller Drive/Steer (Use p/n 1001212415) (See Separate Breakdown in this Section) |     |
| 58   | 1001215228  | 1   | Console Box Assembly   |     |
| 58A  | 0630568     | 1   | Capscrew 3/8 x 4-1/2   |     |
| 58B  | 3311601     | 1   | Nut 3/8  |     |
| 58C  | 3430616     | 2   | Pin  |     |
| 58D  | 3470003     | 2   | Hairpin  |     |
| 58E  | 4711600     | 2   | Washer 3/8   |     |



# SECTION 5 - PLATFORM

## FIGURE 5-18. FOOTSWITCH ASSEMBLY



ART\_100117174

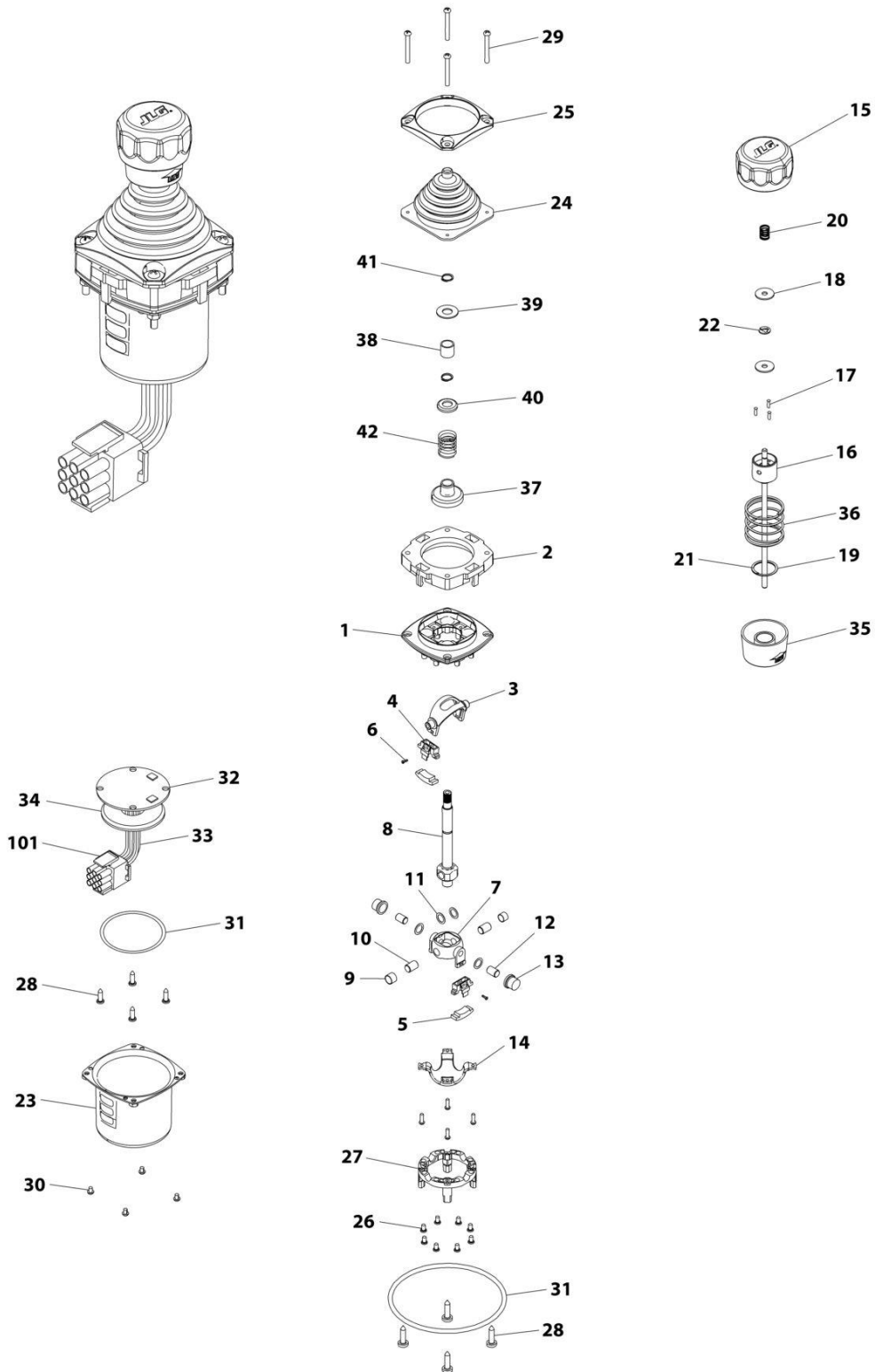
## SECTION 5 - PLATFORM

**FIGURE 5-18. FOOTSWITCH ASSEMBLY**

| ITEM | PART NUMBER | QTY             | DESCRIPTION              | REV |
|------|-------------|-----------------|--------------------------|-----|
|      | 1001117174  | Ref             | FOOTSWITCH ASSEMBLY      | B   |
| 1    | 0100020     | AR              | Sealant                  |     |
| 2    | 1060918     | 7.5 ft/<br>2.3m | Cable, Electrical - 18/3 |     |
| 3    | 4460071     | 1               | Connector, Strain Relief |     |
| 4    | 4460226     | 2               | Socket, Female           |     |
| 5    | 4460464     | 1               | Pin, Male                |     |
| 6    | 1001098122  | 3               | Terminal                 |     |
| 7    | 1001117172  | 1               | Footswitch               |     |
| 7    | 70002902    | 1               | Switch, 20Amp            |     |
| 7    | 70002903    | 1               | Gasket                   |     |
| 7    | 70002905    | 1               | Cover                    |     |
| 7    | 70002904    | 1               | Kit, Replacement Bolt    |     |

# SECTION 5 - PLATFORM

## FIGURE 5-19. CONTROLLER ASSEMBLY - LIFT/SWING



ART\_1001166539

## SECTION 5 - PLATFORM

**FIGURE 5-19. CONTROLLER ASSEMBLY - LIFT/SWING**

| ITEM | PART NUMBER | QTY | DESCRIPTION   | REV |
|------|-------------|-----|---|-----|
|      | 1001166539  | Ref | CONTROLLER ASSEMBLY   | D   |
|      |             | Ref | Note: Original Equipment Controller May Have Been Replaced with Service Replacement Controller. Visually Identify Controller Before Ordering Parts. |     |
|      |             | Ref | Note: Use p/n 1001129555 as Replacement.  |     |
| 1    | See Note    | NSS | Main Cast Body (Note: Not Available - Purchase Complete Assembly)   |     |
| 2    | 70004752    | 1   | Adapter   |     |
| 3    | See Note    | NSS | Pivot Arm, Plastic (Note: Not Available - Purchase Complete Assembly)   |     |
| 4    | See Note    | NSS | Holder, Magnet (Note: Not Available - Purchase Complete Assembly)   |     |
| 5    | See Note    | NSS | Arc, Magnet (Note: Not Available - Purchase Complete Assembly)  |     |
| 6    | See Note    | NSS | Screw (Note: Not Available for Purchase)  |     |
| 7    | See Note    | NSS | Pivot Arm, Cast (Note: Not Available - Purchase Complete Assembly)  |     |
| 8    | See Note    | NSS | Shaft, Main (Note: Not Available - Purchase Complete Assembly)  |     |
| 9    | See Note    | NSS | Bearing (Note: Not Available - Purchase Complete Assembly)  |     |
| 10   | See Note    | NSS | Pin (Note: Not Available - Purchase Complete Assembly)  |     |
| 11   | See Note    | NSS | Shim (Note: Not Available - Purchase Complete Assembly)   |     |
| 12   | See Note    | NSS | Pin (Note: Not Available - Purchase Complete Assembly)  |     |
| 13   | See Note    | NSS | Bearing (Note: Not Available - Purchase Complete Assembly)  |     |
| 14   | See Note    | NSS | Dome, Centering (Note: Not Available - Purchase Complete Assembly)  |     |
| 15   | 70004753    | 1   | Cap   |     |
| 16   | 70004754    | 1   | Insert, Cap   |     |
| 17   | 70004755    | 3   | Pin   |     |
| 18   | 70004756    | 2   | Washer  |     |
| 19   | 70004757    | 1   | Pin, Centering  |     |
| 20   | 70004758    | 1   | Spring  |     |
| 21   | 70004759    | 1   | Ring, Retaining   |     |
| 22   | 70004760    | 1   | E-Ring  |     |
| 23   | 70004761    | 1   | Can, Enclosure  |     |
| 24   | 70004762    | 1   | Boot  |     |
| 25   | 70004763    | 1   | Bezel   |     |
| 26   | See Note    | NSS | Screw (Note: Not Available for Purchase)  |     |
| 27   | See Note    | NSS | Base Mounting (Note: Not Available - Purchase Complete Assembly)  |     |
| 28   | See Note    | NSS | Screw (Note: Not Available for Purchase)  |     |
| 29   | 70004764    | 4   | Screw   |     |
| 30   | 70004765    | 4   | Screw   |     |
| 31   | 70004766    | 1   | O-Ring  |     |
| 32   | See Note    | NSS | Plate (Note: Not Available - Purchase Complete Assembly)  |     |
| 33   | See Note    | NSS | Harness (Note: Not Available - Purchase Complete Assembly)  |     |
| 34   | 70004767    | 1   | Grommet, Rubber   |     |
| 35   | 70004768    | 1   | Housing   |     |
| 36   | 70004769    | 1   | Spring  |     |
| 37   | 70004770    | 1   | Stopper   |     |
| 38   | 70004771    | 1   | Spacer  |     |
| 39   | 70004772    | 1   | Washer  |     |
| 40   | 70004773    | 1   | Disc  |     |

## SECTION 5 - PLATFORM

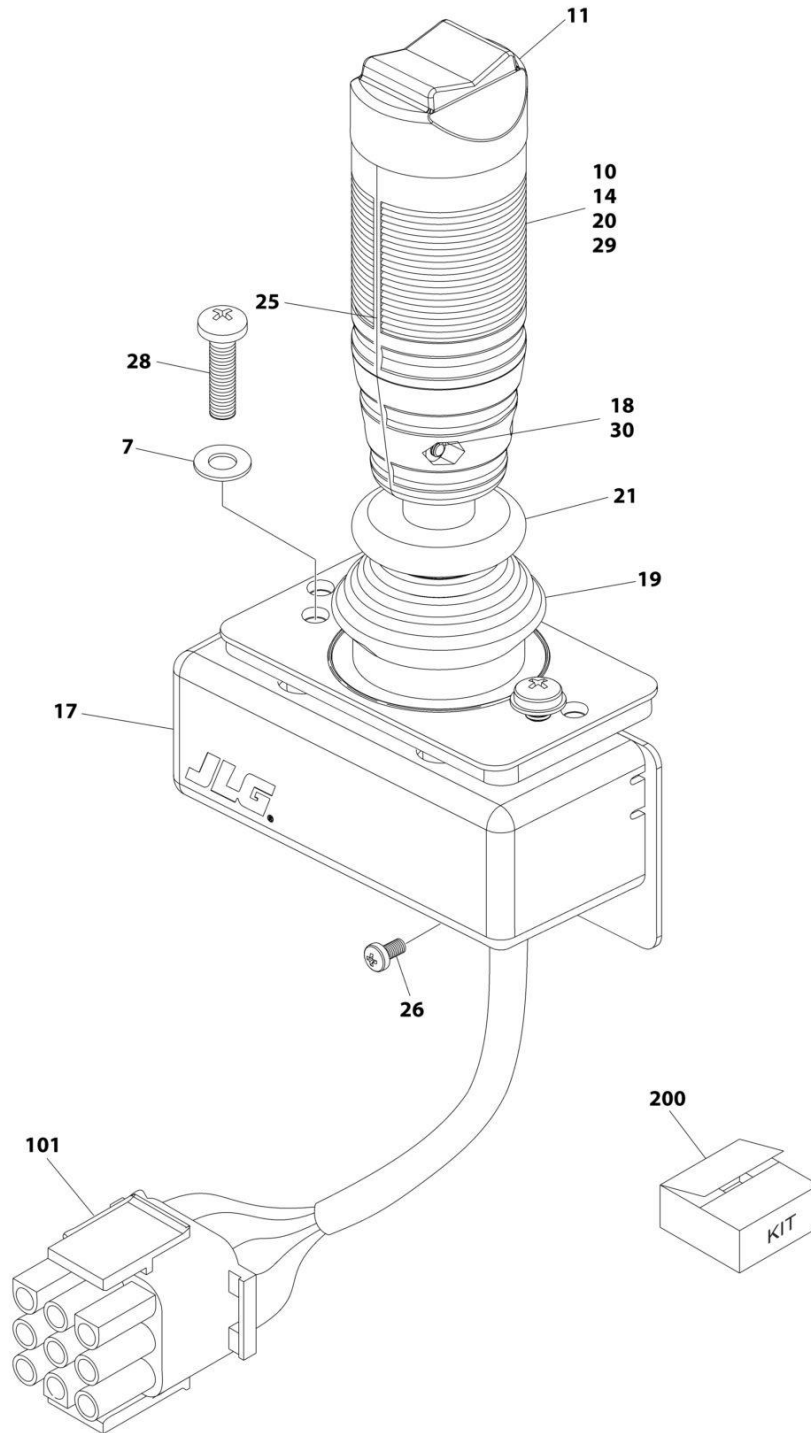
| ITEM | PART NUMBER | QTY | DESCRIPTION            | REV |
|------|-------------|-----|------------------------|-----|
| 41   | 70004774    | 2   | Ring, Retaining        |     |
| 42   | 70004775    | 1   | Spring                 |     |
| 101  | 4460265     | 1   | Connector - 9 Position |     |
| 101  | 4460226     | 6   | Socket, Female         |     |





# SECTION 5 - PLATFORM

## FIGURE 5-20. CONTROLLER ASSEMBLY- DRIVE/STEER



ART\_1001166538

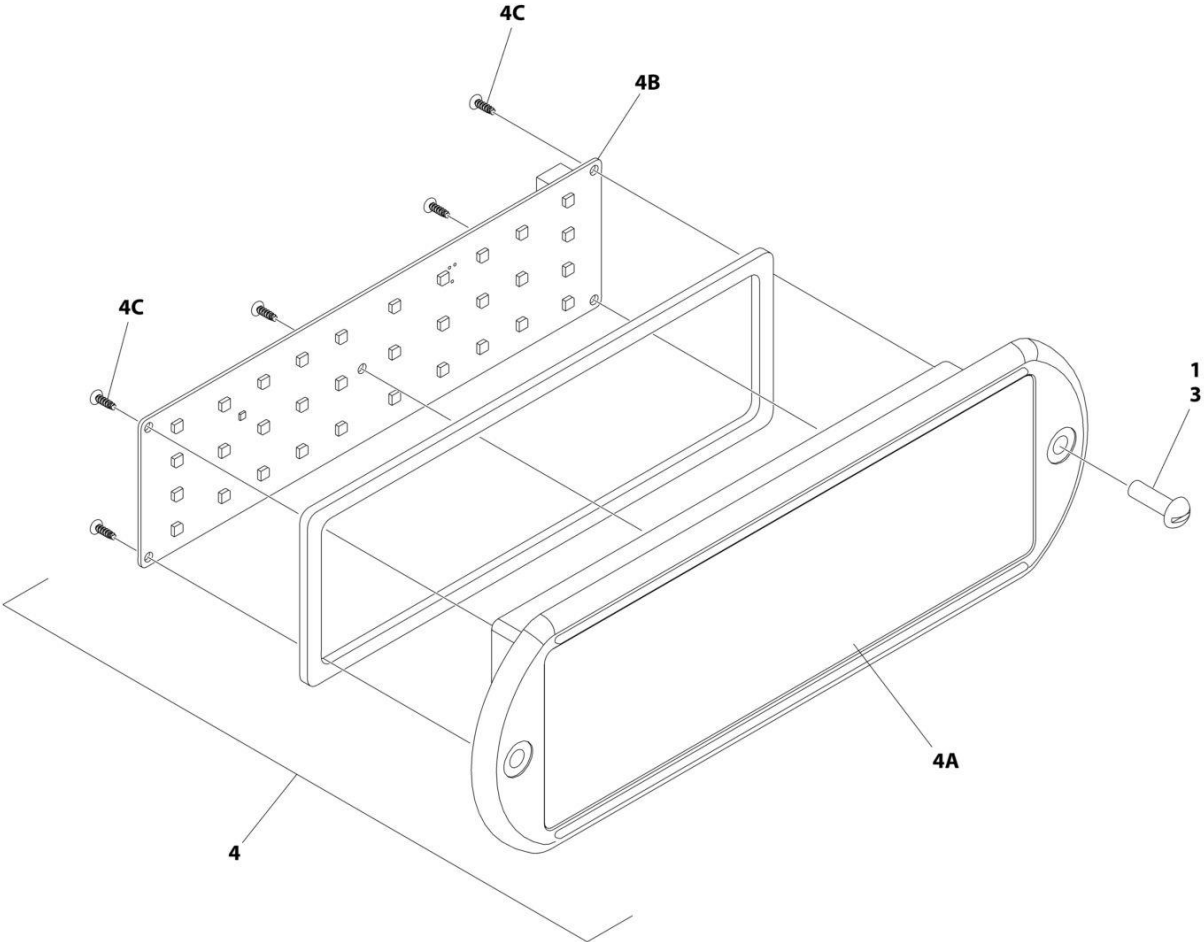
## SECTION 5 - PLATFORM

**FIGURE 5-20. CONTROLLER ASSEMBLY- DRIVE/STEER**

| ITEM | PART NUMBER | QTY | DESCRIPTION   | REV |
|------|-------------|-----|---|-----|
|      | 1001166538  | Ref | CONTROLLER ASSEMBLY (DRIVE AND STEER)   | G   |
|      |             | Ref | Note: Original Equipment Controller May Have Been Replaced with Service Replacement Controller. Visually Identify Controller Before Ordering Parts. |     |
|      |             | Ref | Note : Use p/n 1001212415 Kit as Replacement.   |     |
| 7    | 70004738    | 2   | Washer  |     |
| 10   | 70004739    | 1   | Roller  |     |
| 11   | 70004740    | 1   | Boot, Switch  |     |
| 14   | 70004741    | 2   | Half, Handle  |     |
| 17   | 70004742    | 1   | Enclosure   |     |
| 18   | 70004743    | 4   | Nut   |     |
| 19   | 70004744    | NLA | Boot, Controller (Note: Use Item 200)   |     |
| 20   | 70004745    | NLA | Tube, Locking (Note: Use Item 200)  |     |
| 21   | 70004746    | NLA | Disc, Locking (Note: Use Item 200)  |     |
| 25   | 70004747    | 2   | Seal, Rope  |     |
| 26   | 70004748    | 1   | Screw M3 x 6  |     |
| 28   | 70004749    | 2   | Screw M5 x 20   |     |
| 29   | 70004750    | 1   | Pin, Dowel  |     |
| 30   | 70004751    | 4   | Screw M3 x 16   |     |
| 101  | 4460265     | 1   | Connector - 9 Position  |     |
| 101  | 4460226     | 7   | Socket, Female  |     |
| 200  | 70005230    | 1   | Boot Kit (Includes Items 19-21)   |     |

**SECTION 5 - PLATFORM**

**FIGURE 5-21. LIGHT PANEL INSTALLATION**



ART\_1001233959\_B\_2OF2

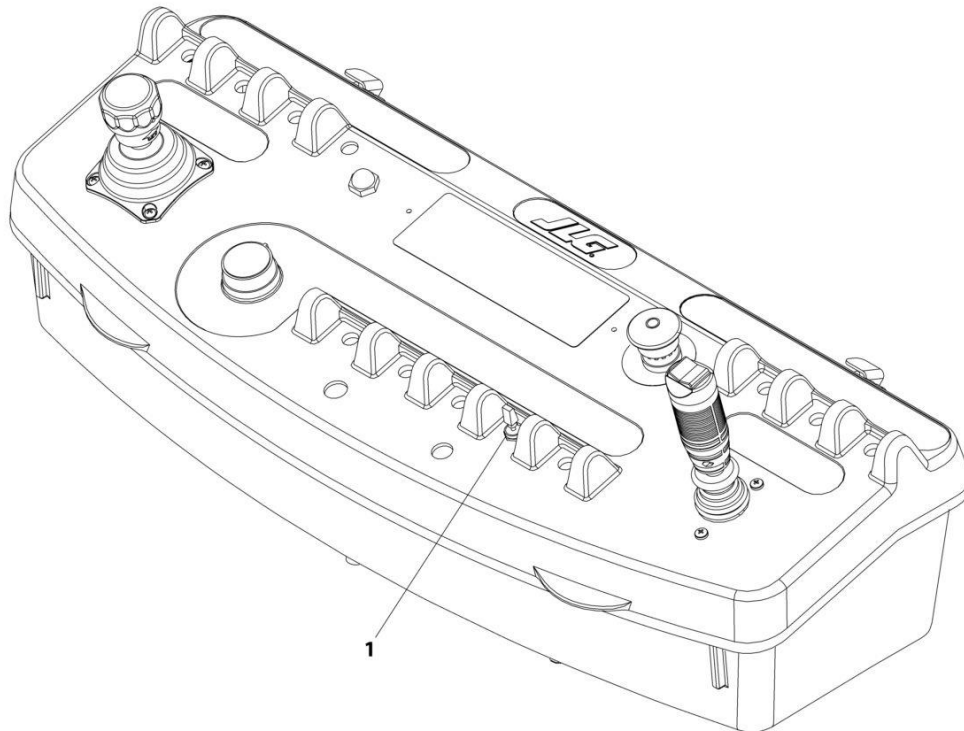
## SECTION 5 - PLATFORM

### FIGURE 5-21. LIGHT PANEL INSTALLATION

| ITEM | PART NUMBER | QTY | DESCRIPTION                                 | REV |
|------|-------------|-----|---|-----|
|      | 1001233959  | Ref | LIGHT PANEL INSTALLATION - PLATFORM CONSOLE | B   |
| 1    | 0100035     | AR  | Compound, Locking                           |     |
| 3    | 0630518     | 2   | Screw #10 x 3/4                             |     |
| 4    | 1001237544  | 1   | Light Panel Assembly                        |     |
| 4A   | 1001236087  | 1   | Lens, I-Con                                 |     |
| 4B   | 1001187807  | 1   | Panel, LED Light                            |     |
| 4C   |             | Ref | Screw                                       |     |

## SECTION 5 - PLATFORM

FIGURE 5-22. JIB SWITCH INSTALLATION - 860SJ



ART\_0258608

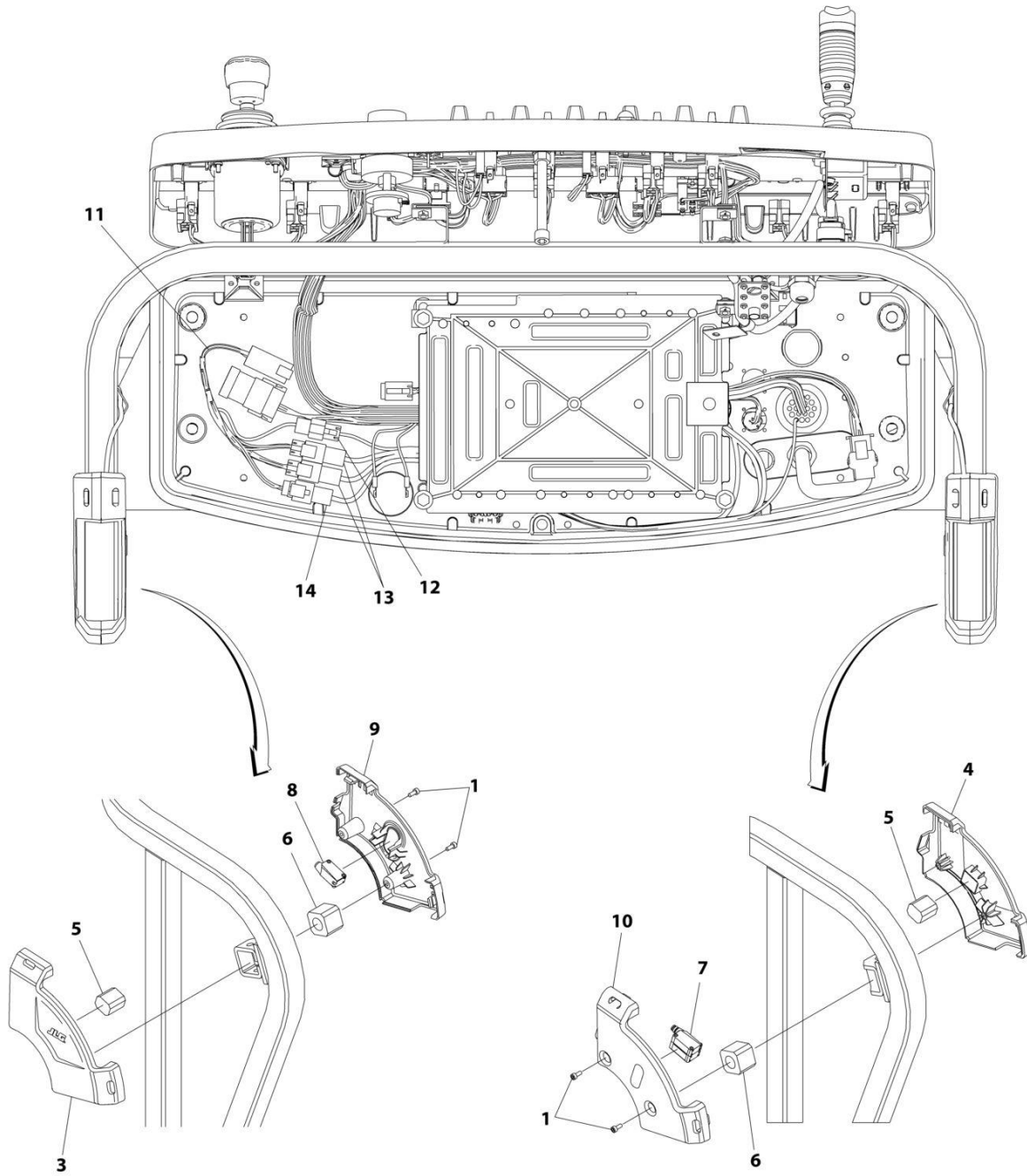
## SECTION 5 - PLATFORM

**FIGURE 5-22. JIB SWITCH INSTALLATION - 860SJ**

| ITEM | PART NUMBER        | QTY      | DESCRIPTION                               | REV |
|------|--------------------|----------|---|-----|
| 1    | 0258608<br>4360328 | Ref<br>1 | JIB SWITCH INSTALLATION<br>Switch, Toggle | B   |

# SECTION 5 - PLATFORM

## FIGURE 5-23. SKYEYE INSTALLATION



ART\_1001229341



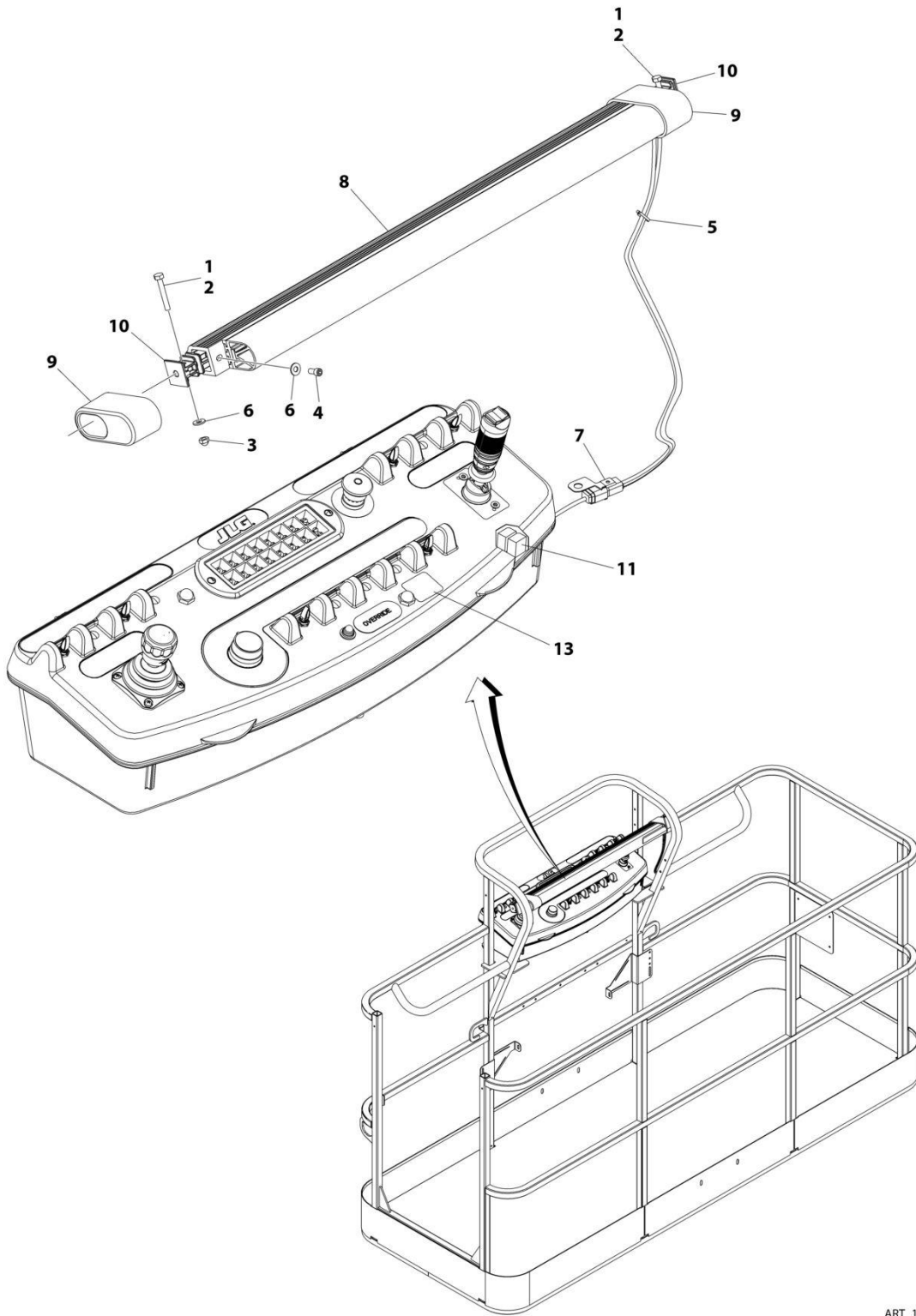
## SECTION 5 - PLATFORM

**FIGURE 5-23. SKYEYE INSTALLATION**

| ITEM | PART NUMBER | QTY | DESCRIPTION  | REV |
|------|-------------|-----|--|-----|
|      | 1001229341  | Ref | SKYEYE INSTALLATION  | A   |
| 1    | 4031505     | 4   | Bolt M4 x 10   |     |
| 2    | 4240033     | AR  | Tie-Strap (Not Shown)  |     |
| 3    | 1001227633  | 1   | Housing, LH Outer  |     |
| 4    | 1001227634  | 1   | Housing, RH Outer  |     |
| 5    | 1001227985  | 2   | Shim   |     |
| 6    | 1001227987  | 2   | Shim   |     |
| 7    | 1001228224  | 2   | Sensor, Receiver   |     |
| 8    | 1001228225  | 1   | Sensor, Emitter  |     |
| 9    | 1001232164  | 1   | Housing, LH Inner  |     |
| 10   | 1001232165  | 1   | Housing, RH Inner  |     |
| 11   | 1001237865  | 1   | Harness, Skyeeye Intermediate (See Separate Breakdown in ELECTRICAL SECTION) |     |
| 12   | 1001238319  | 1   | Harness, Skyeeye Drain Jumper  |     |
| 12   | 1001187674  | 1   | Plug, Male - 2 Position  |     |
| 12   | 4460942     | 1   | Terminal   |     |
| 12   | 4460466     | 1   | Plug, Terminal   |     |
| 12   | 4460508     | 1   | Pin, Male  |     |
| 13   | 1001237863  | 2   | Harness, Skyeeye Receiver (See Separate Breakdown in ELECTRICAL SECTION)     |     |
| 14   | 1001237864  | 1   | Harness, Skyeeye Emitter (See Separate Breakdown in ELECTRICAL SECTION)      |     |

# SECTION 5 - PLATFORM

## FIGURE 5-24. SKYGUARD BAR INSTALLATION



ART\_1001238495

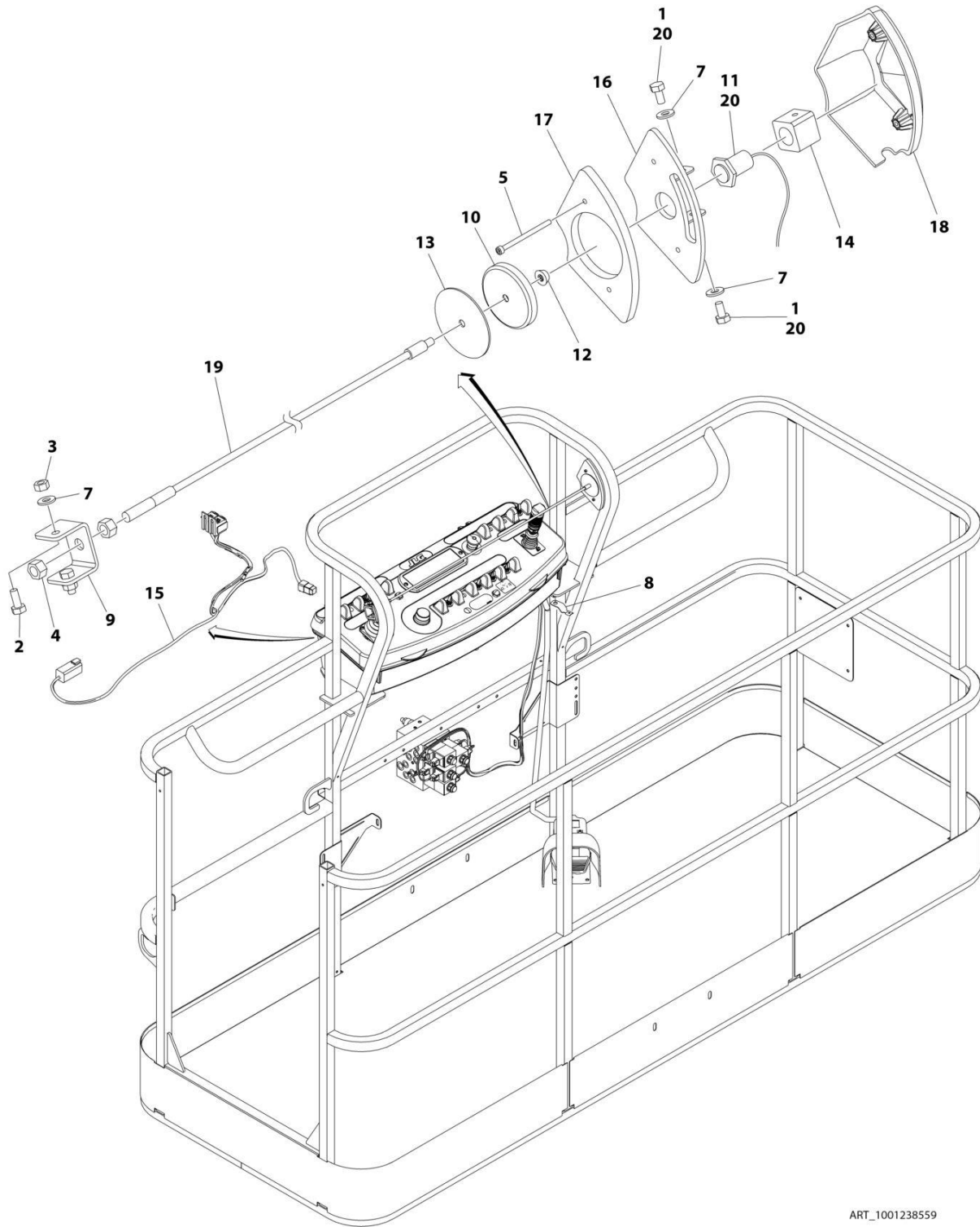
## SECTION 5 - PLATFORM

**FIGURE 5-24. SKYGUARD BAR INSTALLATION**

| ITEM | PART NUMBER | QTY | DESCRIPTION  | REV |
|------|-------------|-----|--|-----|
|      | 1001238495  | Ref | SKYGUARD BAR INSTALLATION  | A   |
| 1    | 0100011     | AR  | Compound, Locking  |     |
| 2    | 0641414     | 2   | Bolt 1/4 x 1-3/4   |     |
| 3    | 3300430     | 2   | Nut 1/4  |     |
| 4    | 3931408     | 2   | Capscrew 1/4 x 1/2   |     |
| 5    | 4240033     | 8   | Tie-Strap  |     |
| 6    | 4711400     | 6   | Washer 1/4   |     |
| 7    | 1001120328  | 1   | Mount  |     |
| 8    | 1001137673  | 1   | SkyGuard Switch Assembly   |     |
| 9    | 1001186517  | 2   | Cover, Platform Sensor   |     |
| 10   | 1001209664  | 2   | Support, Block   |     |
| 11   | 1001186431  | 2   | Relay  |     |
| 12   | 1001225580  | 1   | Interface Harness Assembly (Not Shown - Located Inside Console Box) (See Separate Breakdown in ELECTRICAL SECTION) |     |
| 13   | 1001144433  | 1   | Decal - No Weight SkyGuard   |     |

# SECTION 5 - PLATFORM

## FIGURE 5-25. SKYLINE INSTALLATION



ART\_1001238559

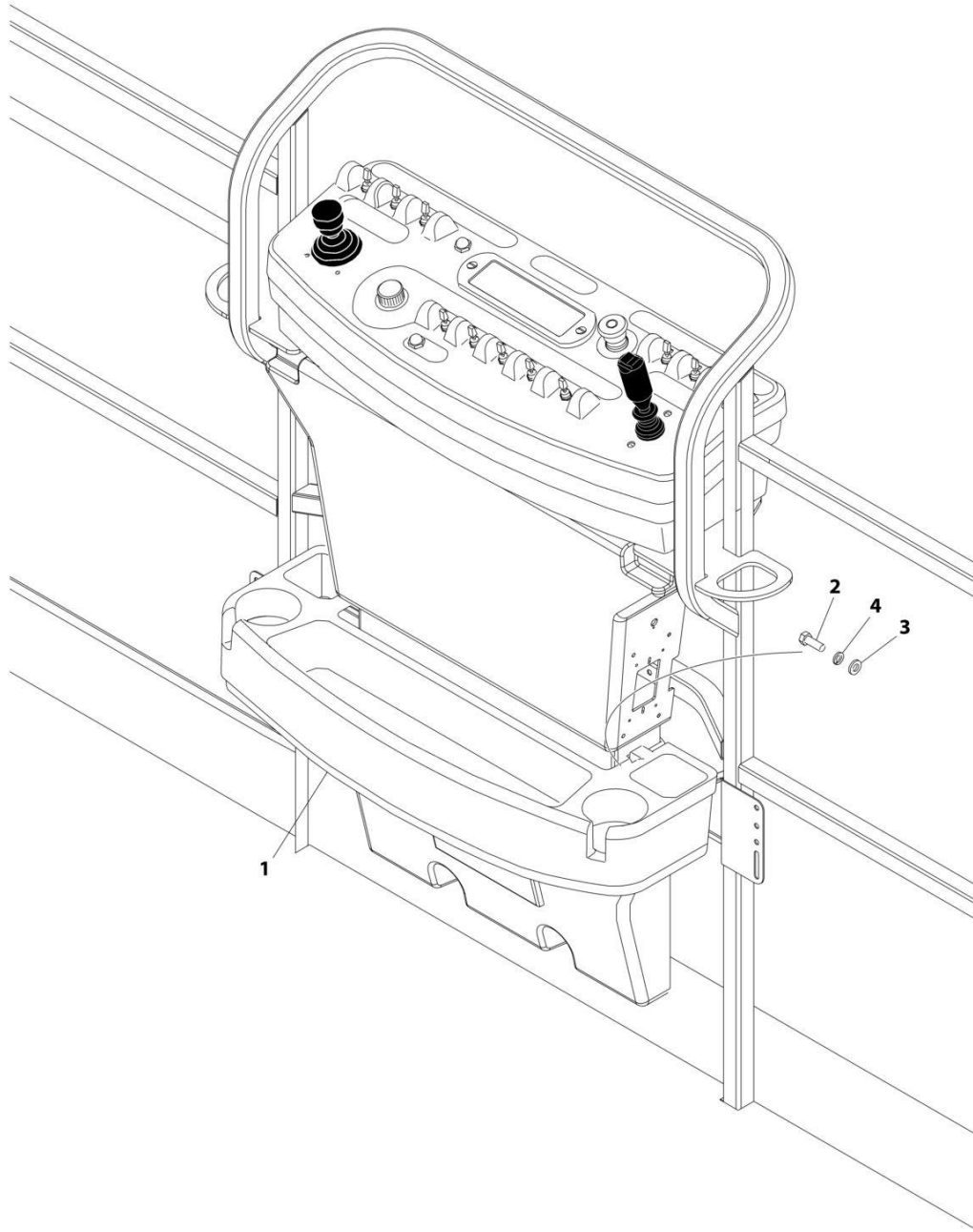
## SECTION 5 - PLATFORM

### FIGURE 5-25. SKYLINE INSTALLATION

| ITEM | PART NUMBER | QTY | DESCRIPTION   | REV |
|------|-------------|-----|---|-----|
|      | 1001238559  | Ref | SKYLINE INSTALLATION  | C   |
| 1    | 0641404     | 2   | Bolt 1/4 x 1/2  |     |
| 2    | 0641405     | 2   | Bolt 1/4 x 5/8  |     |
| 3    | 3311405     | 2   | Nut 1/4   |     |
| 4    | 3311601     | 2   | Nut 3/8   |     |
| 5    | 4031516     | 2   | Capscrew M4 x 60  |     |
| 6    | 4240033     | AR  | Tie-Strap (Not Shown)   |     |
| 7    | 4711400     | 4   | Washer 1/4  |     |
| 8    | 1001120328  | 1   | Mount   |     |
| 9    | 1001232642  | 1   | Bracket   |     |
| 10   | 1001232650  | 1   | Magnet  |     |
| 11   | 1001232667  | 1   | Sensor, Proximity   |     |
| 12   | 1001235011  | 1   | Nut   |     |
| 13   | 1001235013  | 1   | Washer  |     |
| 14   | 1001236552  | 1   | Block   |     |
| 15   | 1001238418  | 1   | Harness, Skyline (See Separate Breakdown in ELECTRICAL SECTION) |     |
| 16   | 1001238472  | 1   | Mount   |     |
| 17   | 1001238477  | 1   | Housing, LH   |     |
| 18   | 1001241965  | 1   | Housing, RH   |     |
| 19   | 1001238824  | 1   | Rope  |     |
| 20   | 0100011     | AR  | Compound, Locking   |     |

# SECTION 5 - PLATFORM

## FIGURE 5-26. STORAGE TRAY INSTALLATION - CENTER



ART\_1580012

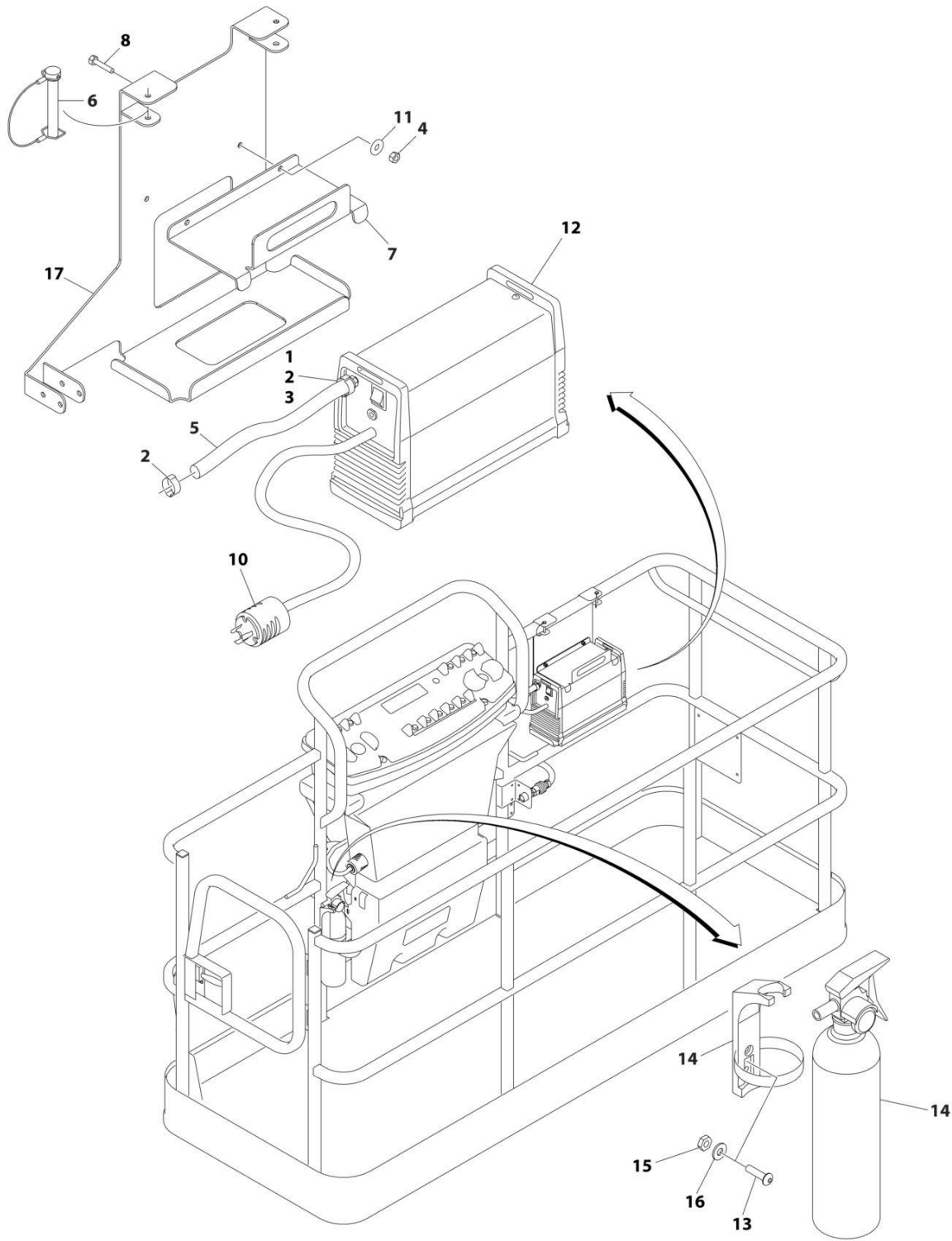
## SECTION 5 - PLATFORM

FIGURE 5-26. STORAGE TRAY INSTALLATION - CENTER

| ITEM | PART NUMBER | QTY | DESCRIPTION   | REV |
|------|-------------|-----|---|-----|
|      | 1580012     | Ref | TRAY ASSEMBLY                                       | C   |
| 1    | See Note    | 1   | Tray, Storage (Center) (Note: Purchase p/n 1580012) |     |
| 2    | 0641406     | 2   | Bolt 1/4 x 3/4                                      |     |
| 3    | 4751400     | 2   | Washer 1/4  |     |
| 4    | 4761400     | 2   | Washer 1/4  |     |

# SECTION 5 - PLATFORM

## FIGURE 5-27. SKYCUTTER INSTALLATION



ART\_1001098149\_D



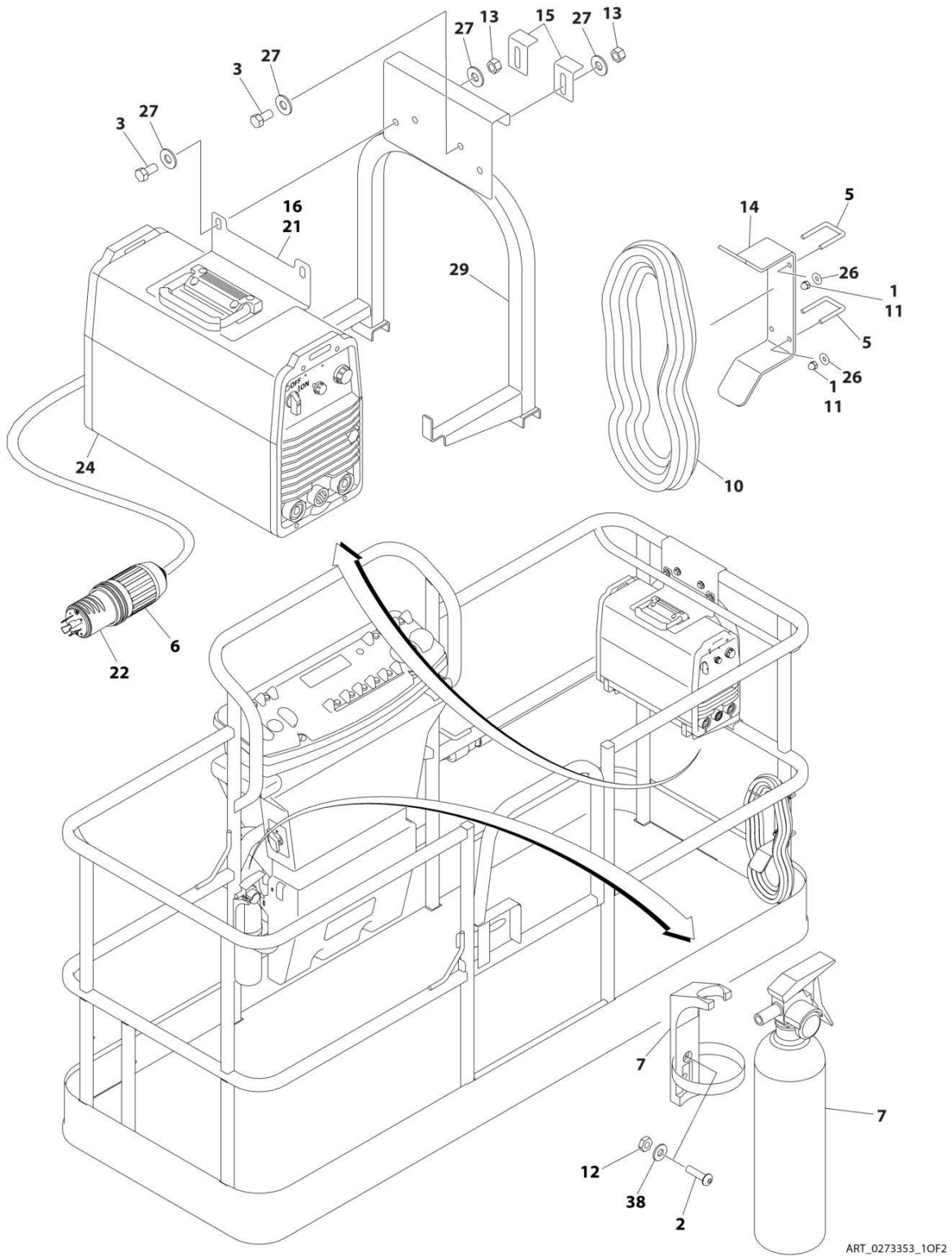
## SECTION 5 - PLATFORM

**FIGURE 5-27. SKYCUTTER INSTALLATION**

| ITEM | PART NUMBER | QTY       | DESCRIPTION  | REV |
|------|-------------|-----------|--|-----|
|      | 1001098149  | Ref       | SKYCUTTER INSTALLATION   | D   |
|      |             | Ref       | Note: When replacing platform on machines with SkyCutter option, new bracket p/n 1001145405 must be purchased to accommodate SkyCutter components. |     |
| 1    | 0100020     | AR        | Sealant  |     |
| 2    | 1320177     | 2         | Clamp, Hose  |     |
| 3    | 2180832     | 1         | Fitting, NPT/Barbed  |     |
| 4    | 3290605     | 2         | Nut M6   |     |
| 5    | 2720160     | 3 ft /.9m | Hose   |     |
| 6    | 3421453     | 3         | Pin  |     |
| 7    | 3576799     | 1         | Plate, Hold-Down   |     |
| 8    | 4010608     | 2         | Screw M6 x 16  |     |
| 10   | 4460971     | 1         | Plug, Twistlock  |     |
| 11   | 4811700     | 2         | Washer M6  |     |
| 12   | 1001098012  | 1         | Plasma Cutter Assembly (See Separate Breakdown in this Section)  |     |
| 13   | 0630518     | 2         | Screw #10 x 3/4  |     |
| 14   | 2030010     | 1         | Extinguisher, Fire   |     |
| 15   | 3311005     | 2         | Nut #10  |     |
| 16   | 4751000     | 2         | Washer #10   |     |
| 17   | 1001145405  | 1         | Support  |     |

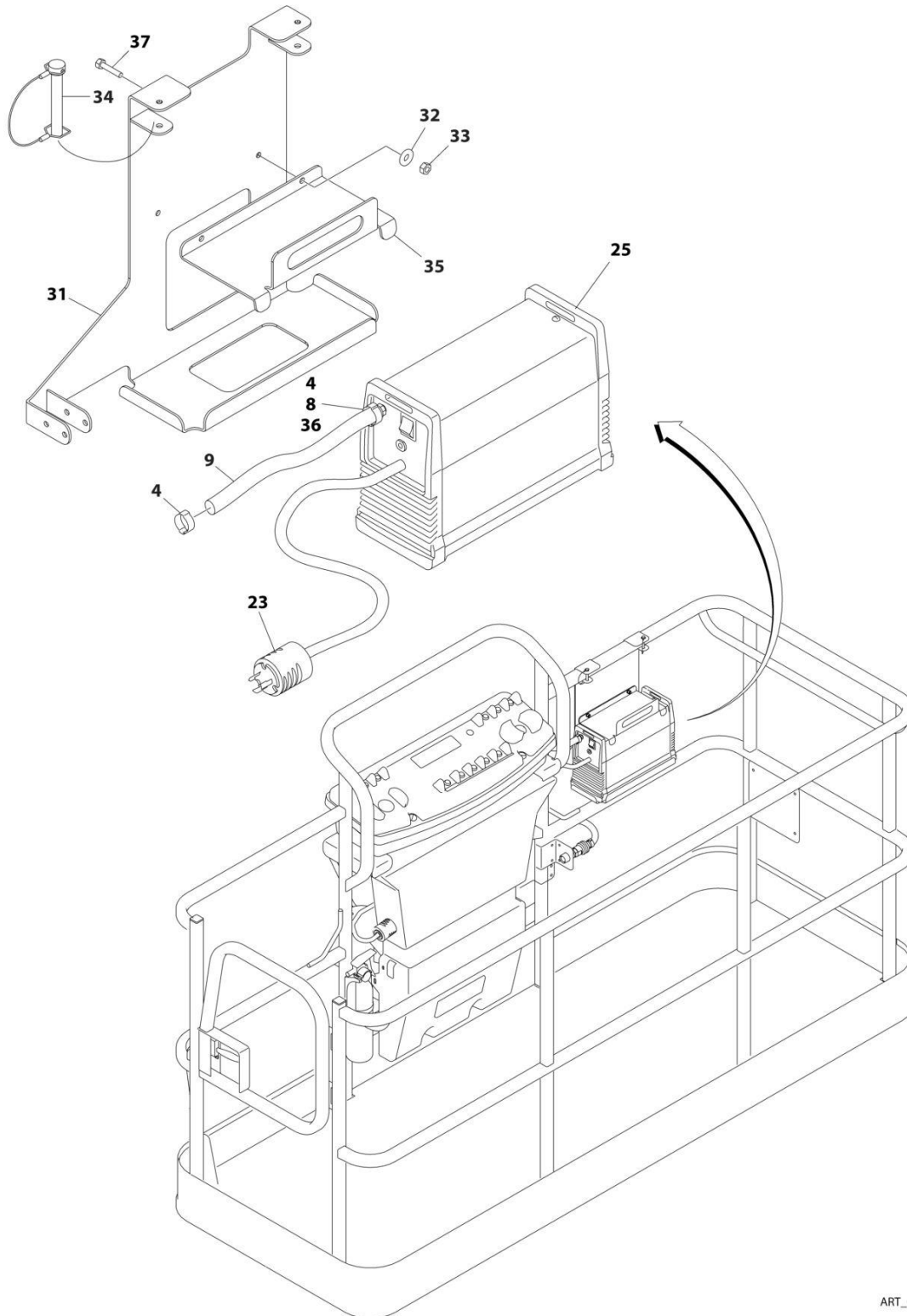
# SECTION 5 - PLATFORM

## FIGURE 5-28. SKYWELDER/SKYCUTTER COMBO INSTALLATION (60HZ)



ART\_0273353\_10F2

# SECTION 5 - PLATFORM



ART\_0273353\_20F2

## SECTION 5 - PLATFORM

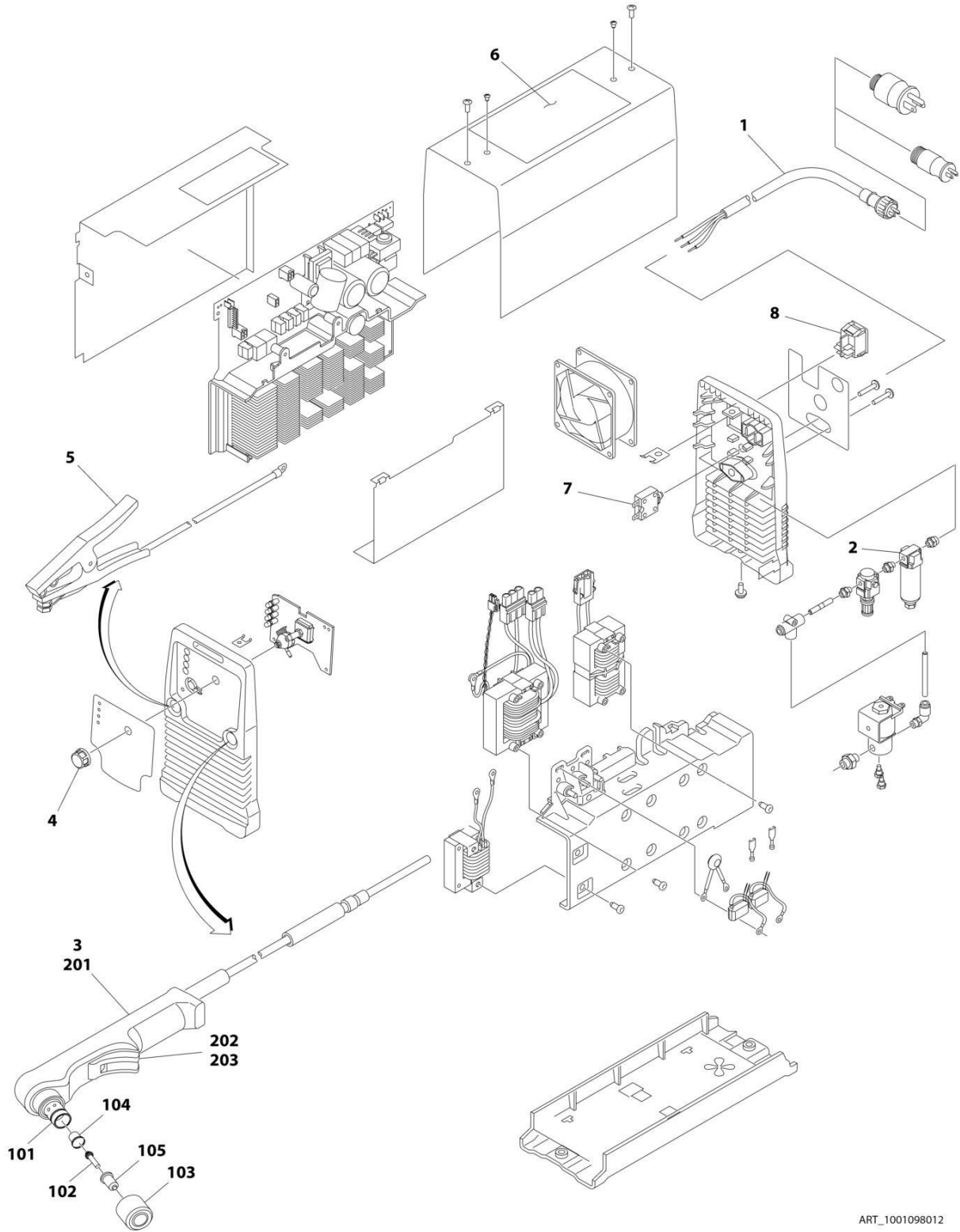
**FIGURE 5-28. SKYWELDER/SKYCUTTER COMBO INSTALLATION (60HZ)**

| ITEM | PART NUMBER | QTY              | DESCRIPTION   | REV |
|------|-------------|------------------|---|-----|
|      | 0273353     | Ref              | SKYWELDER/SKYCUTTER COMBO INSTALLATION (60HZ)                   | G   |
| 1    | 0100011     | AR               | Compound, Locking   |     |
| 2    | 0630518     | 2                | Screw #10 x 3/4   |     |
| 3    | 0641606     | 4                | Bolt 3/8 x 3/4  |     |
| 4    | 1320177     | 2                | Clamp   |     |
| 5    | 1320302     | 2                | Clamp   |     |
| 6    | 1671093     | 1                | Cover, Plug   |     |
| 7    | 2030010     | 1                | Extinguisher, Fire  |     |
| 8    | 2180832     | 1                | Fitting, Barbed/NPT   |     |
| 9    | 2720160     | 4.5 ft<br>/1.37m | Hose  |     |
| 10   | 2902217     | 1                | Weld Leads Kit  |     |
| 11   | 3300151     | 4                | Nut 1/4   |     |
| 12   | 3311005     | 2                | Nut #10   |     |
| 13   | 3311605     | 4                | Nut 3/8   |     |
| 14   | 3573400     | 1                | Bracket   |     |
| 15   | 3577121     | 2                | Angle   |     |
| 16   | 3573642     | 1                | Plate   |     |
| 20   | 4240099     | AR               | Tie-Strap (Not Shown)   |     |
| 21   | 4420037     | 2.36 ft<br>/.71m | Tape  |     |
| 22   | 4460962     | 1                | Plug, Twist Lock  |     |
| 23   | 4460971     | 1                | Plug, Twist Lock  |     |
| 24   | 4530028     | 1                | Welder Assembly (See Separate Breakdown in this section)        |     |
| 25   | 1001098012  | 1                | Plasma Cutter Assembly (See Separate Breakdown in this Section) |     |
| 26   | 4751400     | 4                | Washer 1/4  |     |
| 27   | 4751600     | 8                | Washer 3/8  |     |
| 29   | 4846627     | 1                | Support   |     |
| 31   | 1001145405  | 1                | Bracket   |     |
| 32   | 4811700     | 2                | Washer M6   |     |
| 33   | 3290605     | 2                | Nut M6  |     |
| 34   | 3421453     | 3                | Pin   |     |
| 35   | 3576799     | 1                | Plate, Hold-Down  |     |
| 36   | 0100020     | 1                | Sealant   |     |
| 37   | 4010608     | 2                | Screw M6 x 16   |     |
| 38   | 4751000     | 2                | Washer #10  |     |



# SECTION 5 - PLATFORM

## FIGURE 5-29. PLASMA CUTTER ASSEMBLY



ART\_1001098012

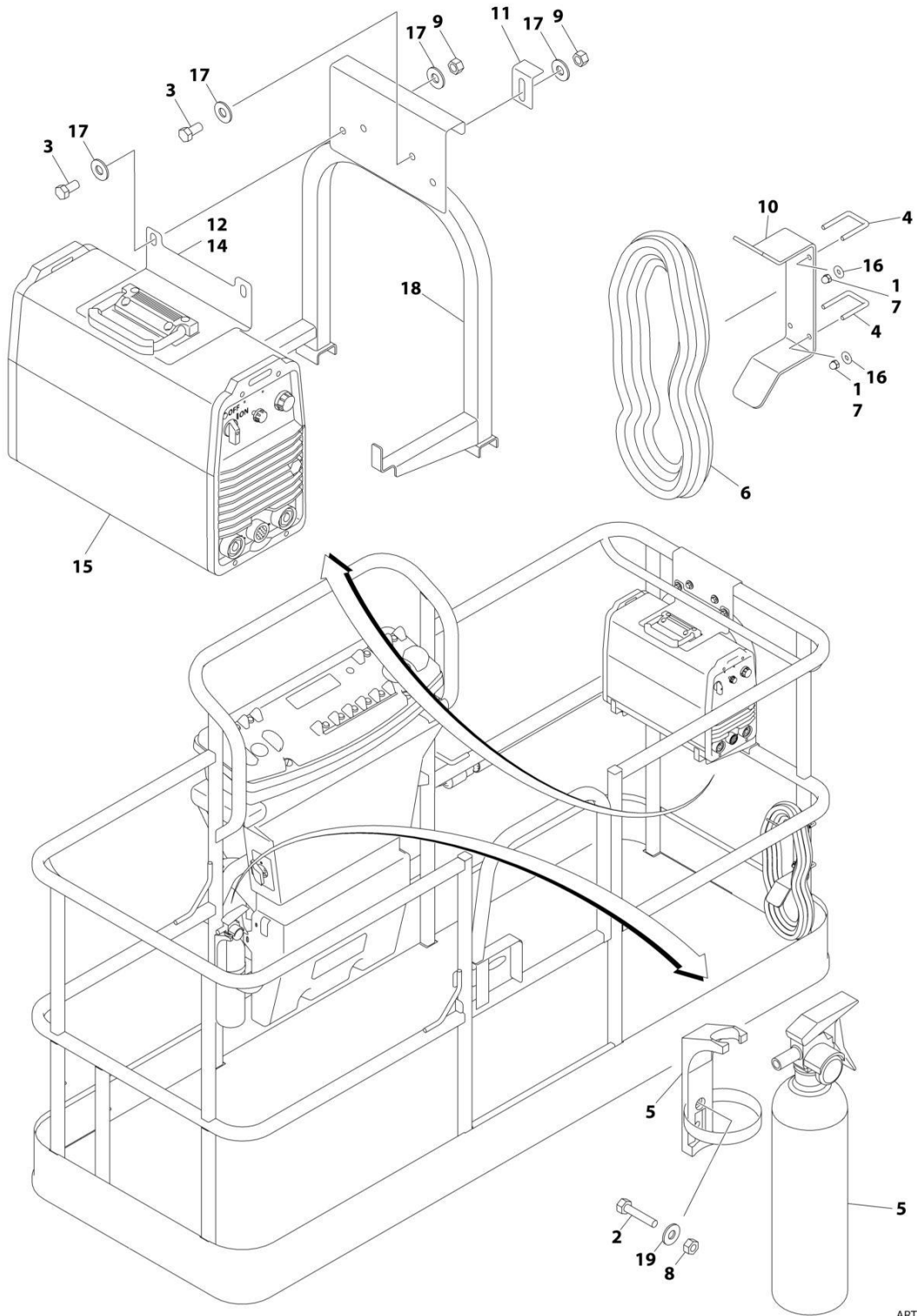
## SECTION 5 - PLATFORM

### FIGURE 5-29. PLASMA CUTTER ASSEMBLY

| ITEM | PART NUMBER | QTY | DESCRIPTION  | REV |
|------|-------------|-----|--|-----|
|      | 1001098012  | Ref | PLASMA CUTTER ASSEMBLY   | A   |
|      |             | Ref | Note: For Other Components, contact your Miller Welder Dealer. |     |
| 1    | 70001424    | 1   | Cable, Power   |     |
| 1    | 70001425    | 1   | Decal - Voltage Warning  |     |
| 2    | 70001427    | 1   | Filter, Regulator  |     |
| 3    | 70001428    | 1   | Torch Assembly (See Items 101-203 for Breakdown)               |     |
| 4    | 7024471     | 1   | Knob   |     |
| 5    | 70001429    | 1   | Clamp with Cable   |     |
| 6    | 70001430    | 1   | Decal - Caution  |     |
| 7    | 70001431    | 1   | Breaker, Circuit   |     |
| 8    | 70001432    | 1   | Switch, Rocker   |     |
|      | 70001428    | Ref | TORCH ASSEMBLY   |     |
| 101  | 7024530     | 1   | O-Ring   |     |
| 102  | 7024531     | 1   | Electrode  |     |
| 103  | 7024532     | 1   | Cup, Retaining   |     |
| 104  | 7024533     | 1   | Swirl Ring   |     |
| 105  | 7024534     | 1   | Tip  |     |
| 201  | 7024535     | 1   | Handle, Torch  |     |
| 202  | 7024536     | 1   | Switch   |     |
| 203  | 7024537     | 1   | Trigger  |     |

# SECTION 5 - PLATFORM

## FIGURE 5-30. SKYWELDER INSTALLATION (50HZ)



ART\_0272521\_F



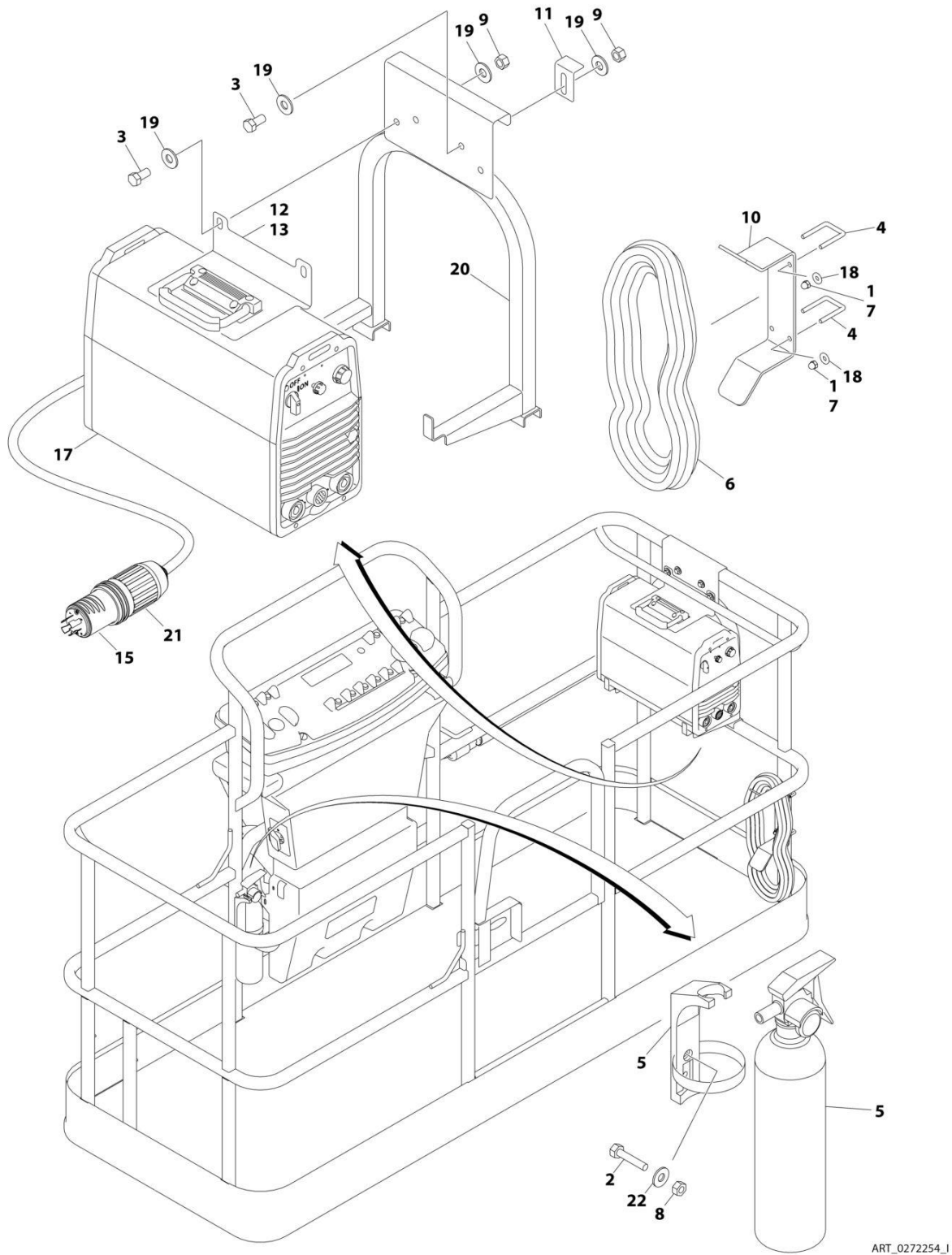
## SECTION 5 - PLATFORM

**FIGURE 5-30. SKYWELDER INSTALLATION (50HZ)**

| ITEM | PART NUMBER | QTY | DESCRIPTION  | REV |
|------|-------------|-----|--|-----|
|      | 0272521     | Ref | SKYWELDER INSTALLATION                                   | F   |
| 1    | 0100011     | AR  | Compound, Locking  |     |
| 2    | 0630518     | 2   | Screw #10 x 3/4  |     |
| 3    | 0641606     | 4   | Bolt 3/8 x 3/4   |     |
| 4    | 1320302     | 2   | U-Clamp  |     |
| 5    | 2030010     | 1   | Extinguisher, Fire                                       |     |
| 6    | 2902217     | 1   | Weld Leads Kit   |     |
| 7    | 3300151     | 4   | Nut 1/4  |     |
| 8    | 3311005     | 2   | Nut #10  |     |
| 9    | 3311605     | 4   | Nut 3/8  |     |
| 10   | 3573400     | 1   | Bracket  |     |
| 11   | 3577121     | 2   | Angle  |     |
| 12   | 3573642     | 1   | Plate  |     |
| 13   | 4240099     | AR  | Tie-Strap (Not Shown)                                    |     |
| 14   | 4420037     | AR  | Tape   |     |
| 15   | 4530028     | 1   | Welder Assembly (See Separate Breakdown in this Section) |     |
| 16   | 4751400     | 4   | Washer 1/4   |     |
| 17   | 4751600     | 8   | Washer 3/8   |     |
| 18   | 4846627     | 1   | Support  |     |
| 19   | 4751000     | 2   | Washer #10   |     |

# SECTION 5 - PLATFORM

## FIGURE 5-31. SKYWELDER INSTALLATION (60HZ)



ART\_0272254\_I

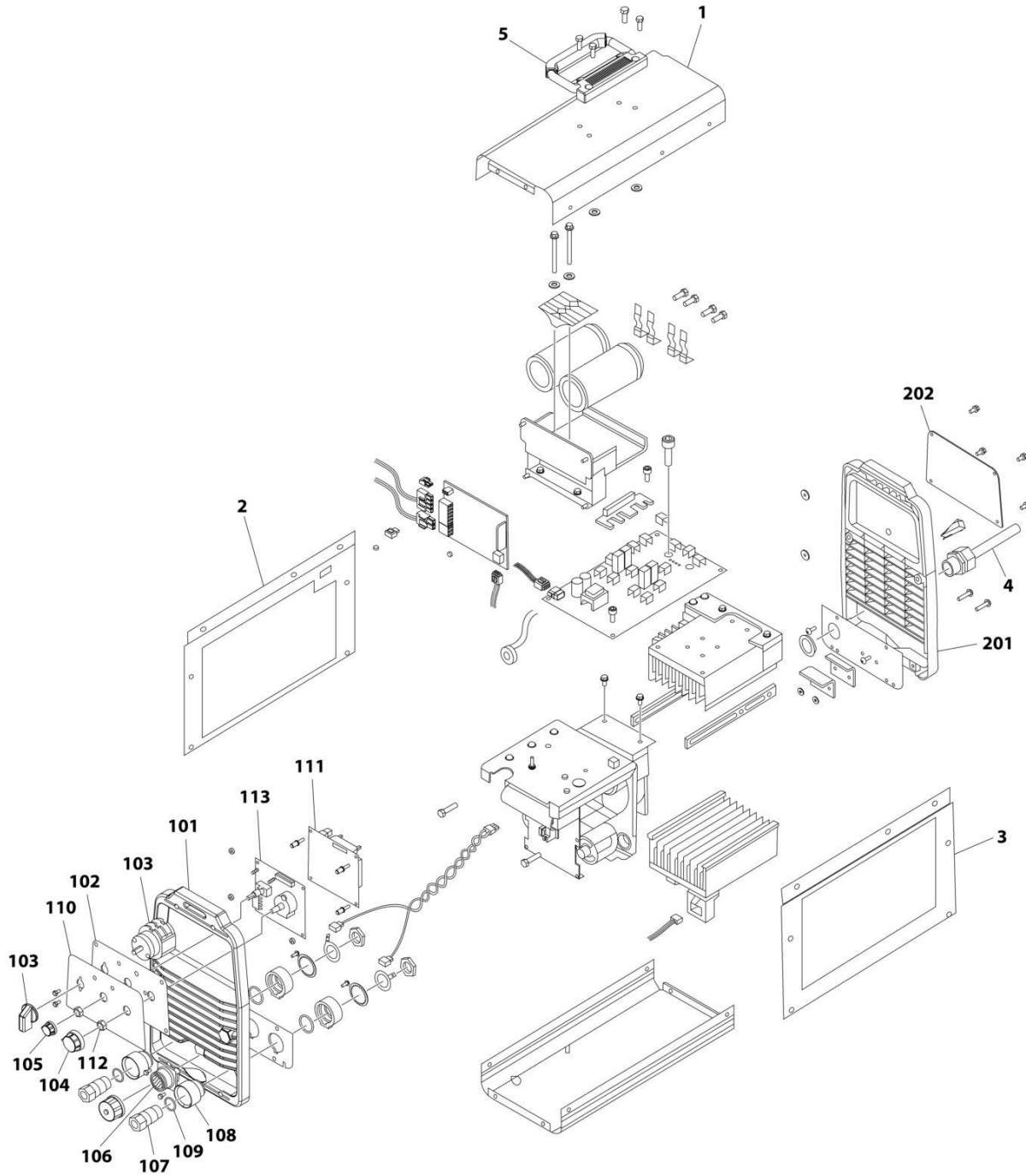
## SECTION 5 - PLATFORM

**FIGURE 5-31. SKYWELDER INSTALLATION (60HZ)**

| ITEM | PART NUMBER | QTY | DESCRIPTION  | REV |
|------|-------------|-----|--|-----|
|      | 0272254     | Ref | SKYWELDER INSTALLATION                                   | 1   |
| 1    | 0100011     | AR  | Compound, Locking  |     |
| 2    | 0630518     | 2   | Screw #10 x 3/4  |     |
| 3    | 0641606     | 4   | Bolt 3/8 x 3/4   |     |
| 4    | 1320302     | 2   | U-Clamp  |     |
| 5    | 2030010     | 1   | Extinguisher, Fire                                       |     |
| 6    | 2902217     | 1   | Weld Leads Kit   |     |
| 7    | 3300151     | 4   | Nut 1/4  |     |
| 8    | 3311005     | 2   | Nut #10  |     |
| 9    | 3311605     | 4   | Nut 3/8  |     |
| 10   | 3573400     | 1   | Bracket  |     |
| 11   | 3577121     | 2   | Angle  |     |
| 12   | 3573642     | 1   | Plate  |     |
| 13   | 4420037     | AR  | Tape   |     |
| 14   | 4240099     | AR  | Tie-Strap (Not Shown)                                    |     |
| 15   | 4460962     | 1   | Plug, Male Twistlock                                     |     |
| 17   | 4530028     | 1   | Welder Assembly (See Separate Breakdown in this Section) |     |
| 18   | 4751400     | 4   | Washer 1/4   |     |
| 19   | 4751600     | 8   | Washer 3/8   |     |
| 20   | 4846627     | 1   | Support  |     |
| 21   | 1671093     | 1   | Cover, Plug  |     |
| 22   | 4751000     | 2   | Washer #10   |     |

# SECTION 5 - PLATFORM

## FIGURE 5-32. WELDER ASSEMBLY



ART\_4530028

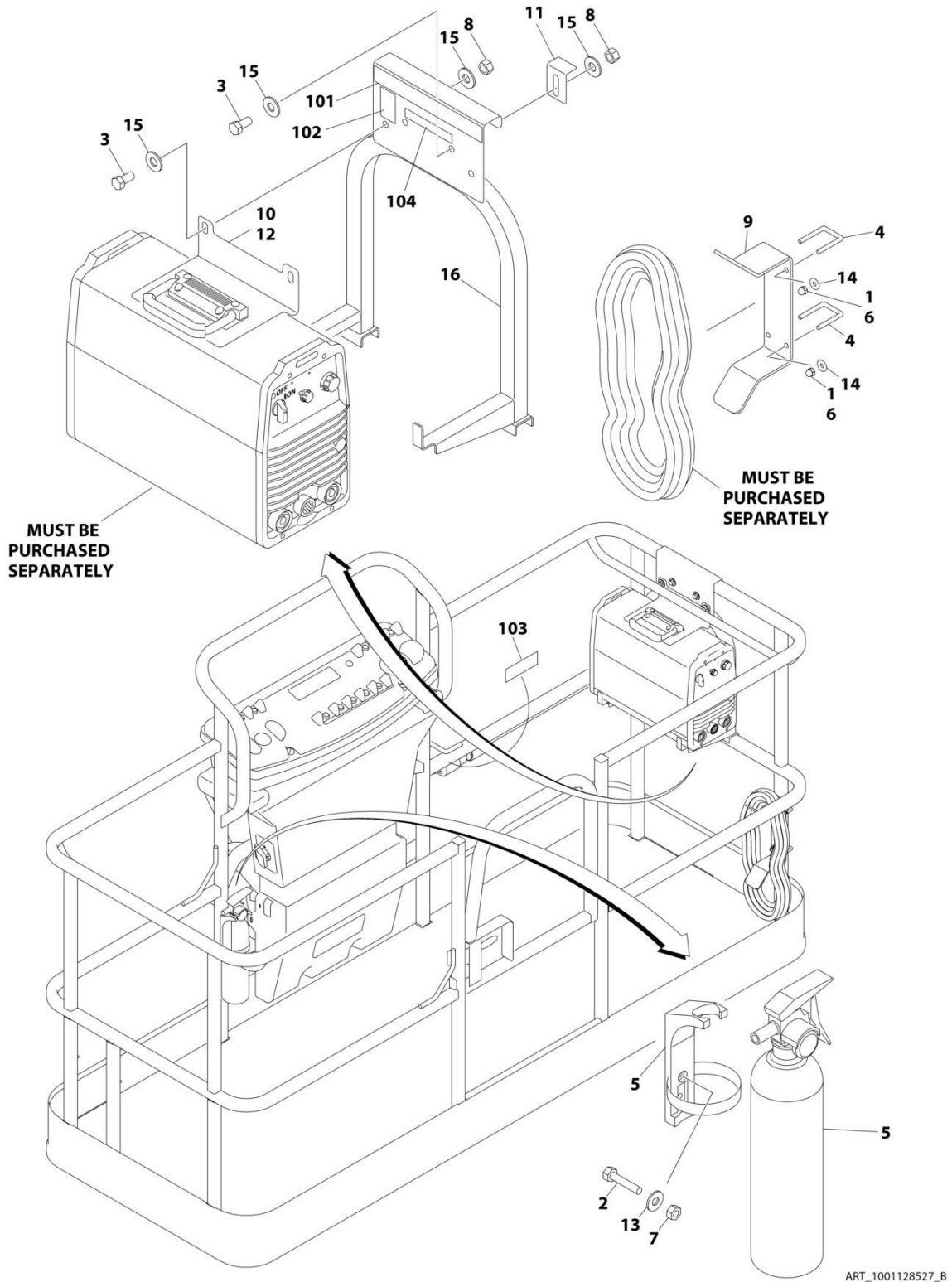
## SECTION 5 - PLATFORM

### FIGURE 5-32. WELDER ASSEMBLY

| ITEM | PART NUMBER | QTY | DESCRIPTION  | REV |
|------|-------------|-----|--|-----|
|      | 4530028     | Ref | WELDER ASSEMBLY  | B   |
|      |             | Ref | Note: For Other Components, contact your Miller Welder Dealer. |     |
| 1    | 7027773     | 1   | Cover, Top   |     |
| 1    | 7027774     | 1   | Decal - Static Precautionary Warning                           |     |
| 2    | See Note    | NSS | Panel, LH Side (Note: Part of Item 1. Purchase Item 1)         |     |
| 3    | See Note    | NSS | Panel, RH Side (Note: Part of Item 1. Purchase Item 1)         |     |
| 4    | 7024467     | 1   | Cable, Power   |     |
| 4    | 7027775     | 1   | Decal - Electrical Shock Warning (Not Shown)                   |     |
| 5    | 7027776     | 1   | Handle, Carrying   |     |
| 101  | 7024462     | 1   | Panel, Front   |     |
| 102  | 7024463     | 1   | Panel, Console   |     |
| 103  | 7024469     | 1   | Switch with Lead   |     |
| 104  | 7024470     | 1   | Knob   |     |
| 105  | 7024471     | 1   | Knob   |     |
| 106  | 7024472     | 1   | Receptacle with Leads and Plugs                                |     |
| 107  | 7024473     | 2   | Receptacle, Twistlock Female                                   |     |
| 108  | 7024474     | 2   | Insulator  |     |
| 109  | 7024475     | 2   | O-Ring   |     |
| 110  | 7027777     | 1   | Nameplate  |     |
| 111  | 7027779     | 1   | Circuit Card Assembly (Process Control)                        |     |
| 112  | 7024478     | 2   | Nut  |     |
| 113  | 7027778     | 1   | Circuit Card Assembly (Operator Interface)                     |     |
| 201  | 7024462     | 1   | Panel, Rear  |     |
| 202  | 7027780     | 1   | Panel, Cover   |     |

# SECTION 5 - PLATFORM

## FIGURE 5-33. SKYWELDER PREP PACKAGE (60HZ)



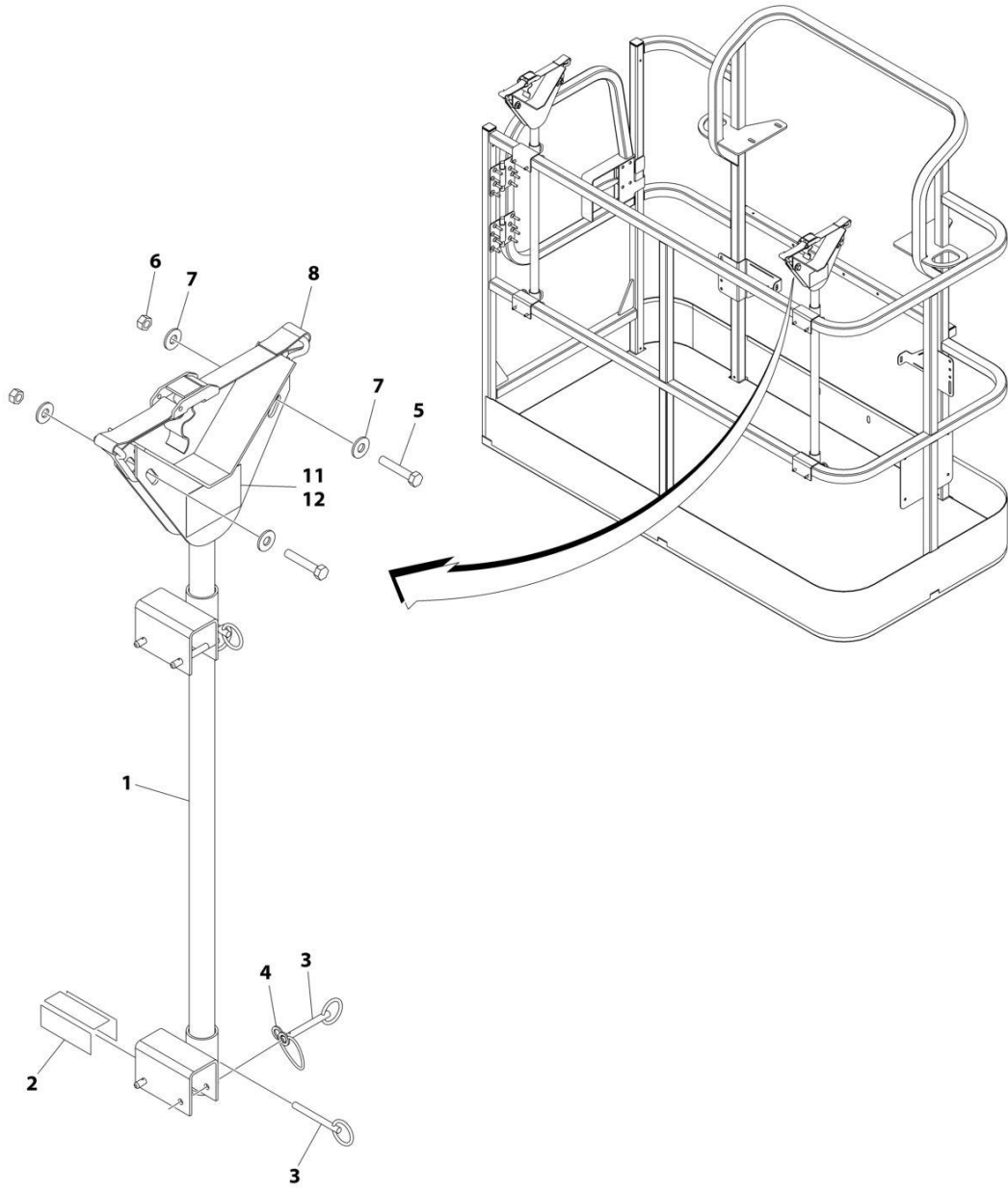
## SECTION 5 - PLATFORM

**FIGURE 5-33. SKYWELDER PREP PACKAGE (60HZ)**

| ITEM | PART NUMBER | QTY | DESCRIPTION                   | REV |
|------|-------------|-----|-------------------------------|-----|
|      | 1001128527  | Ref | SKYWELDER PREP PACKAGE        | B   |
| 1    | 0100011     | AR  | Compound, Locking             |     |
| 2    | 0630518     | 2   | Screw #10 x 3/4               |     |
| 3    | 0641606     | 4   | Bolt 3/8 x 3/4                |     |
| 4    | 1320302     | 2   | U-Clamp                       |     |
| 5    | 2030010     | 1   | Extinguisher, Fire            |     |
| 6    | 3300151     | 4   | Nut 1/4                       |     |
| 7    | 3311005     | 2   | Nut #10                       |     |
| 8    | 3311605     | 4   | Nut 3/8                       |     |
| 9    | 3573400     | 1   | Bracket                       |     |
| 10   | 3573642     | 1   | Plate                         |     |
| 11   | 3577121     | 2   | Angle                         |     |
| 12   | 4420037     | AR  | Tape                          |     |
| 13   | 4751000     | 2   | Washer #10                    |     |
| 14   | 4751400     | 4   | Washer 1/4                    |     |
| 15   | 4751600     | 8   | Washer 3/8                    |     |
| 16   | 4846627     | 1   | Support                       |     |
|      | 1001128556  | Ref | SKYWELDER DECAL INSTALLATION  | C   |
| 101  | 1702868     | 1   | Decal - No Hands              |     |
| 102  | 1705305     | 1   | Decal - Weld Lead             |     |
| 103  | 1705375     | 1   | Decal - 240V - 3 Phase - 60Hz |     |
| 104  | 1001228988  | 1   | Decal - Weight                |     |

# SECTION 5 - PLATFORM

## FIGURE 5-34. PIPE RACKS INSTALLATION (ANSI AND CSA SPECS)



ART\_0257728\_E



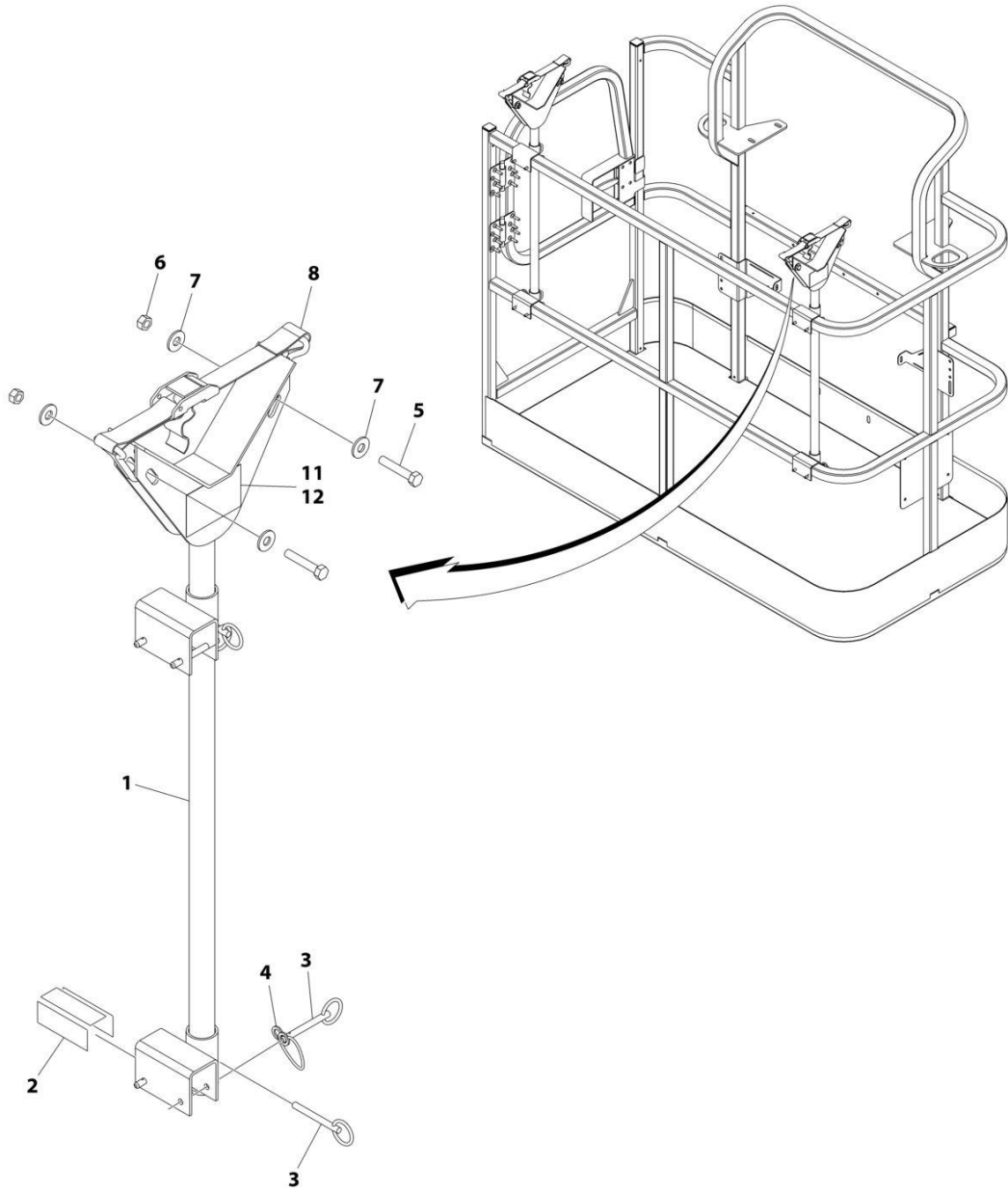
## SECTION 5 - PLATFORM

**FIGURE 5-34. PIPE RACKS INSTALLATION (ANSI AND CSA SPECS)**

| ITEM | PART NUMBER | QTY | DESCRIPTION                                    | REV |
|------|-------------|-----|--|-----|
|      | 0257728     | Ref | PIPE RACK INSTALLATION                         | E   |
| 1    | 4845582     | 2   | Rack, Pipe                                     |     |
| 2    | 4420062     | AR  | Tape   |     |
| 3    | 3422661     | 10  | Pin  |     |
| 4    | 1060379     | 4   | Lanyard  |     |
| 5    | 0641514     | 4   | Bolt 5/16 x 1-3/4                              |     |
| 6    | 3311505     | 4   | Nut 5/16                                       |     |
| 7    | 4751500     | 8   | Washer 5/16                                    |     |
| 8    | 0480100     | 2   | Tie-Down                                       |     |
| 11   | 1001252946  | 2   | Decal - Capacity (500-600LBS/2227-272KG Zones) |     |
| 12   | 1001252947  | 2   | Decal - Capacity (660-1000LBS/299-454KG Zones) |     |

# SECTION 5 - PLATFORM

## FIGURE 5-35. PIPE RACKS INSTALLATION (AUSTRALIAN SPECS)



ART\_0274661\_C

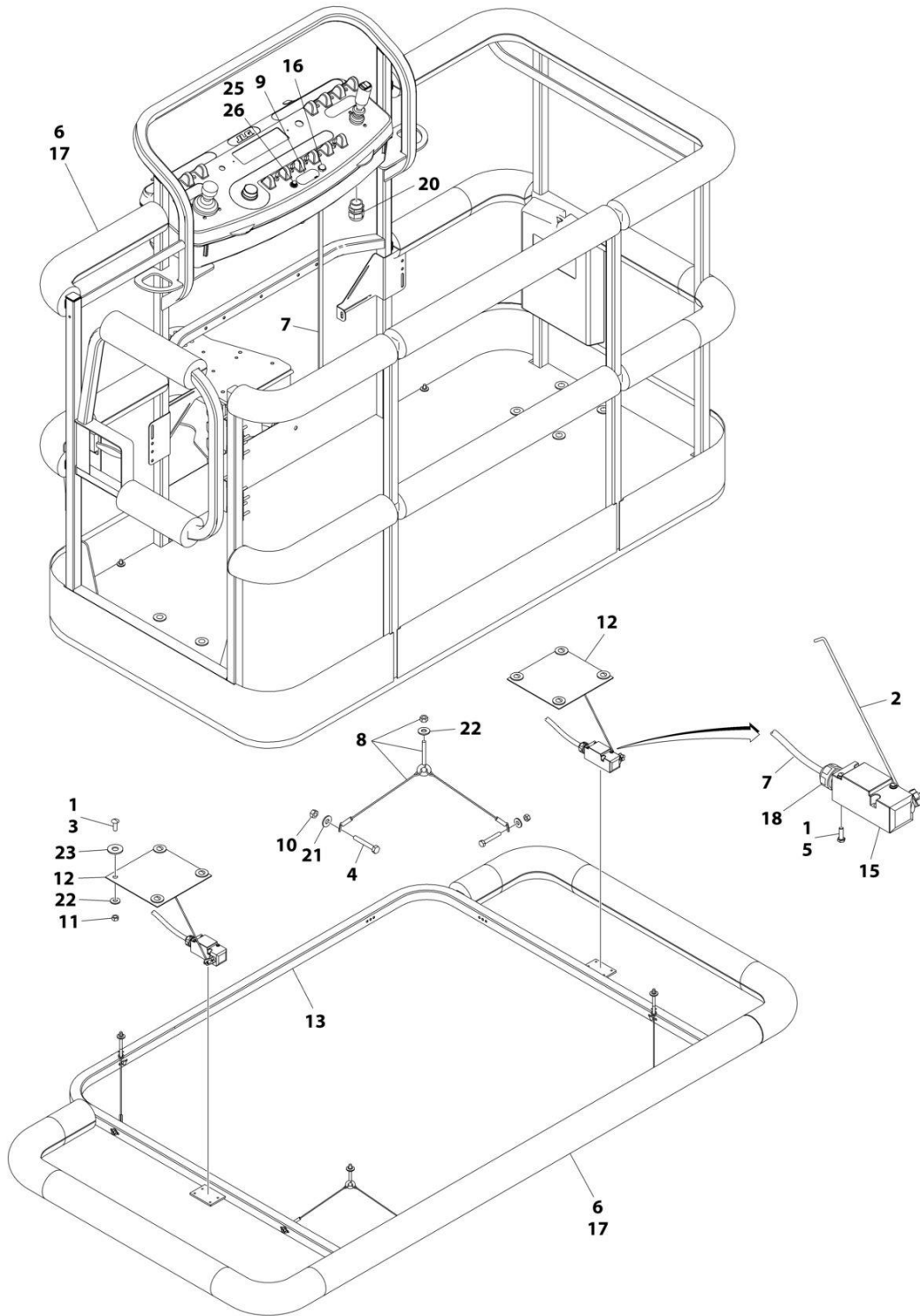
## SECTION 5 - PLATFORM

### FIGURE 5-35. PIPE RACKS INSTALLATION (AUSTRALIAN SPECS)

| ITEM | PART NUMBER | QTY | DESCRIPTION   | REV |
|------|-------------|-----|---|-----|
|      | 0274661     | Ref | PIPE RACK INSTALLATION                              | C   |
| 1    | 4845582     | 2   | Rack, Pipe  |     |
| 2    | 4420062     | AR  | Tape  |     |
| 3    | 3422661     | 10  | Pin   |     |
| 4    | 1060379     | 4   | Lanyard   |     |
| 5    | 0641514     | 4   | Bolt 5/16 x 1-3/4                                   |     |
| 6    | 3311505     | 4   | Nut 5/16  |     |
| 7    | 4751500     | 8   | Washer 5/16   |     |
| 8    | 0480100     | 2   | Tie-Down  |     |
| 11   | 1001252946  | 2   | Decal - Capacity (1) (500-600LBSS/227-272KG Zones)  |     |
| 12   | 1001252947  | 2   | Decal - Capacity (2) (660-1000LBSS/299-454KG Zones) |     |

# SECTION 5 - PLATFORM

## FIGURE 5-36. SOFT TOUCH SYSTEM INSTALLATION - 6FT/1.83M PLATFORM



ART\_0273824

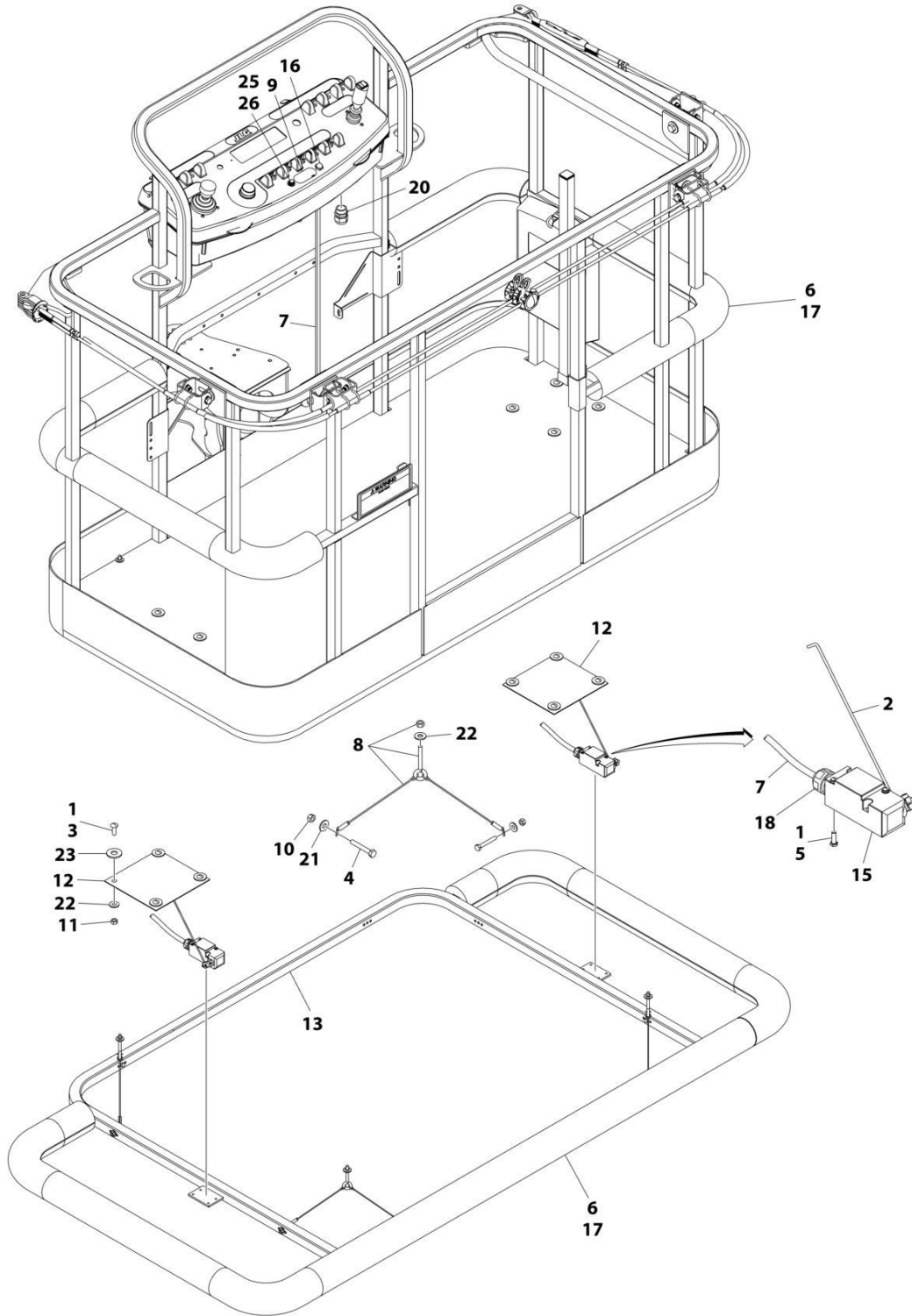
## SECTION 5 - PLATFORM

**FIGURE 5-36. SOFT TOUCH SYSTEM INSTALLATION - 6FT/1.83M PLATFORM**

| ITEM | PART NUMBER | QTY      | DESCRIPTION   | REV |
|------|-------------|----------|---|-----|
|      | 0273824     | Ref      | SOFT TOUCH SYSTEM INSTALLATION  | D   |
| 1    | 0100011     | AR       | Compound, Locking   |     |
| 2    | 0200048     | 2        | Arm, Switch   |     |
| 3    | 0630462     | 8        | Bolt  |     |
| 4    | 0641414     | 8        | Bolt 1/4 x 1-3/4  |     |
| 5    | 0721005     | 4        | Bolt #10 x 5/8  |     |
| 6    | 0940134     | 1        | Bumper Kit (Includes Corners and Enough Straight Material for One Platform) |     |
| 6    | 0940092     | AR       | Bumper (Corner)   |     |
| 6    | 0940094     | AR       | Bumper (12ft Length)  |     |
| 7    | 1060341     | 23 ft/7m | Cable, Electrical - 16/2  |     |
| 8    | 1060903     | 4        | Wire Rope and Eyebolt Assembly  |     |
| 9    | 1702938     | 1        | Decal - Soft Touch Override   |     |
| 10   | 3311401     | 8        | Nut 1/4   |     |
| 11   | 3311501     | 8        | Nut 5/16  |     |
| 12   | 3575359     | 2        | Plate, Switch Strike  |     |
| 13   | 3641569     | 1        | Rail, Soft Touch  |     |
| 14   | 4240099     | 7        | Tie-Strap (Not Shown)   |     |
| 15   | 4360057     | 2        | Switch, Limit   |     |
| 16   | 4360387     | 1        | Switch, Push Button   |     |
| 17   | 4420068     | AR       | Tape, Adhesive  |     |
| 17   | 1001197017  | AR       | Tie-Strap   |     |
| 18   | 4460049     | 2        | Connector, Strain Relief  |     |
| 19   | 4460234     | 7        | Tie-Strap (Not Shown)   |     |
| 20   | 4460425     | 1        | Connector, Strain Relief  |     |
| 21   | 4751400     | 8        | Washer 1/4  |     |
| 22   | 4751500     | 12       | Washer 5/16   |     |
| 23   | 4751800     | 8        | Washer 1/2  |     |
| 24   | 4933218     | 1        | Wiring Diagram (Not Shown - Reference Only)                                 |     |
| 25   | 2920028     | 1        | Light, Indicator  |     |
| 26   | 2920029     | 1        | Bulb, Light   |     |

# SECTION 5 - PLATFORM

## FIGURE 5-37. SOFT TOUCH SYSTEM INSTALLATION - 6FT/1.83M FALL ARREST PLATFORM



ART\_1001108256

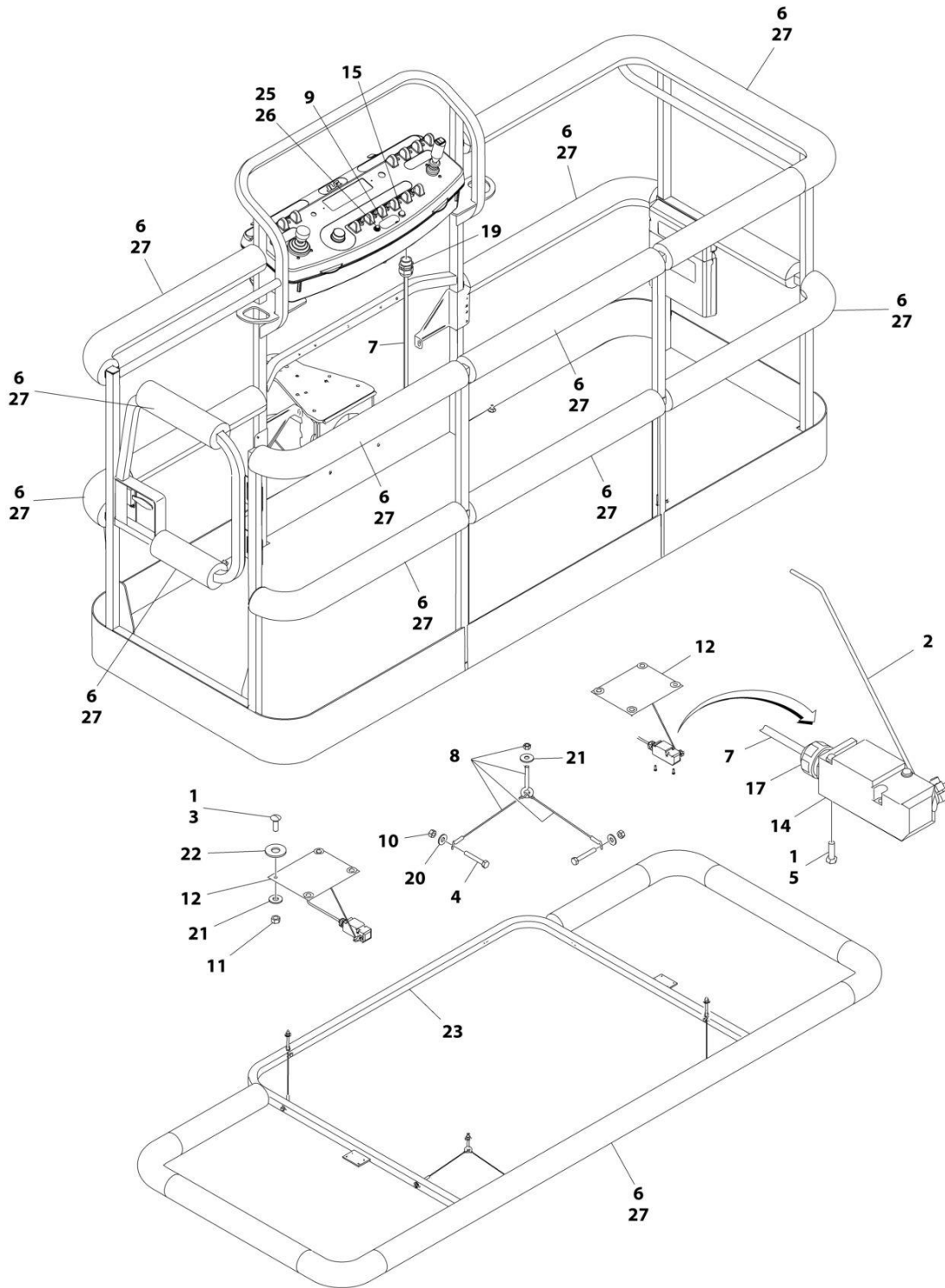
## SECTION 5 - PLATFORM

**FIGURE 5-37. SOFT TOUCH SYSTEM INSTALLATION - 6FT/1.83M FALL ARREST PLATFORM**

| ITEM | PART NUMBER | QTY      | DESCRIPTION   | REV |
|------|-------------|----------|---|-----|
|      | 1001108256  | Ref      | SOFT TOUCH INSTALLATION   | C   |
| 1    | 0100011     | AR       | Compound, Locking   |     |
| 2    | 0200048     | 2        | Arm, Switch   |     |
| 3    | 0630462     | 8        | Bolt  |     |
| 4    | 0641414     | 8        | Bolt 1/4 x 1-3/4  |     |
| 5    | 0721005     | 4        | Bolt #10 x 5/8  |     |
| 6    | 0940177     | 1        | Bumper Kit (Includes Corners and Enough Straight Material for One Platform) |     |
| 6    | 0940092     | 8        | Bumper (Corner)   |     |
| 6    | 0940094     | AR       | Bumper (12ft Length)  |     |
| 7    | 1060341     | 23 ft/7m | Cable, Electrical - 16/2  |     |
| 8    | 1060903     | 4        | Wire Rope and Eyebolt Assembly  |     |
| 9    | 1702938     | 1        | Decal - Soft Touch Override   |     |
| 10   | 3311401     | 8        | Nut 1/4   |     |
| 11   | 3311501     | 8        | Nut 5/16  |     |
| 12   | 3575359     | 2        | Plate, Switch Strike  |     |
| 13   | 3641569     | 1        | Rail, Soft Touch  |     |
| 14   | 4240099     | 7        | Tie-Strap (Not Shown)   |     |
| 15   | 4360057     | 2        | Switch, Limit   |     |
| 16   | 4360387     | 1        | Switch, Push Button   |     |
| 17   | 4420068     | AR       | Tape, Adhesive  |     |
| 17   | 1001197017  | AR       | Tie-Strap   |     |
| 18   | 4420069     | 2        | Connector, Strain Relief  |     |
| 19   | 4460234     | 7        | Tie-Strap (Not Shown)   |     |
| 20   | 4460425     | 1        | Connector, Strain Relief  |     |
| 21   | 4751400     | 8        | Washer 1/4  |     |
| 22   | 4751500     | 9        | Washer 5/16   |     |
| 23   | 4751800     | 8        | Washer 1/2  |     |
| 25   | 2920028     | 1        | Light, Indicator  |     |
| 26   | 2920029     | 1        | Bulb, Light   |     |

# SECTION 5 - PLATFORM

## FIGURE 5-38. SOFT TOUCH SYSTEM INSTALLATION - 8FT/2.44M PLATFORM



ART\_0272427\_G



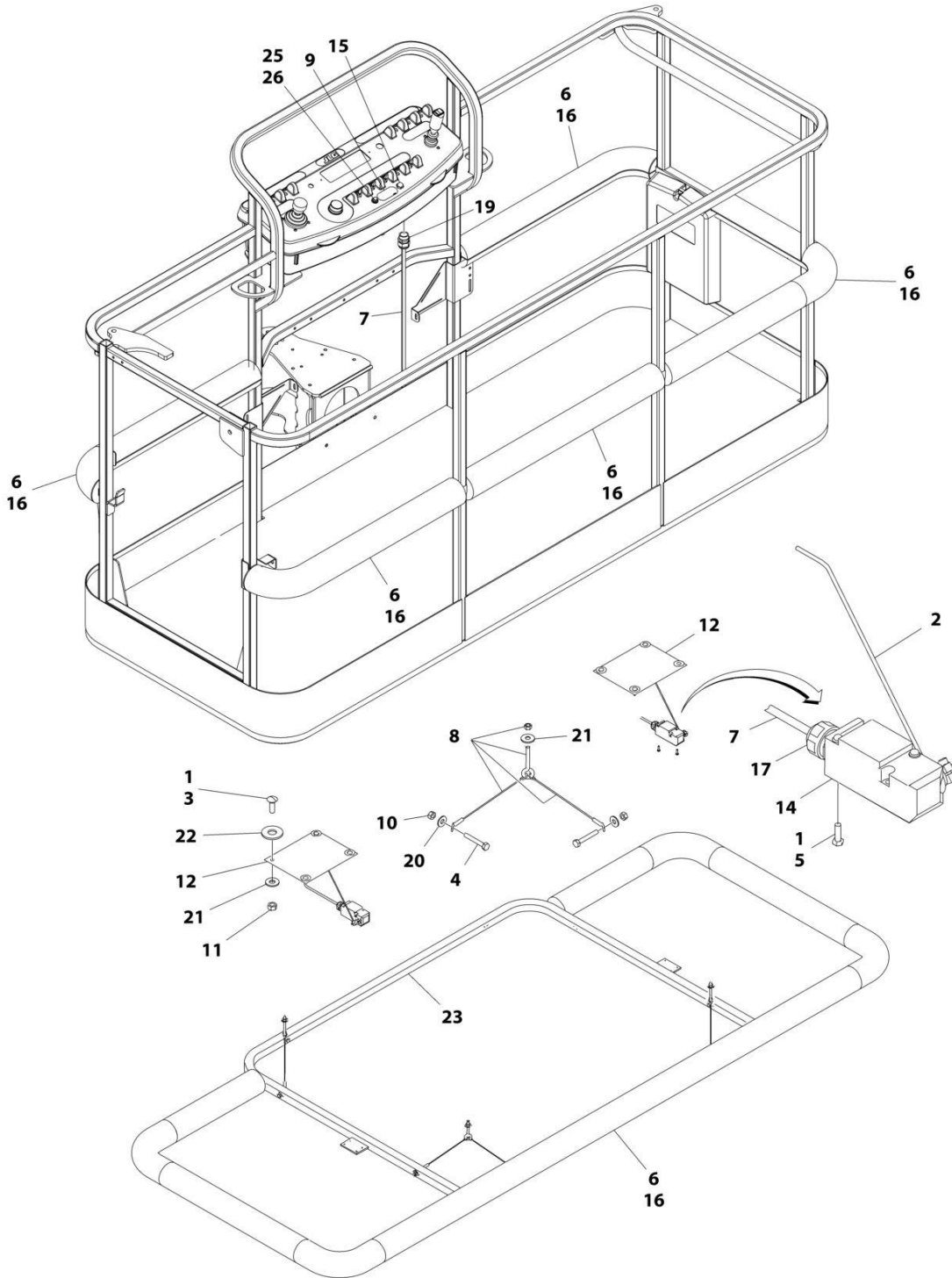
## SECTION 5 - PLATFORM

**FIGURE 5-38. SOFT TOUCH SYSTEM INSTALLATION - 8FT/2.44M PLATFORM**

| ITEM | PART NUMBER | QTY      | DESCRIPTION   | REV |
|------|-------------|----------|---|-----|
|      | 0272427     | Ref      | SOFT TOUCH INSTALLATION - 36IN X 8FT (91.5CM X 2.44M) PLATFORM (OPTIONAL)   | G   |
| 1    | 0100011     | AR       | Compound, Locking   |     |
| 2    | 0200048     | 2        | Arm, Switch   |     |
| 3    | 0630462     | 8        | Bolt  |     |
| 4    | 0641414     | 8        | Bolt 1/4 x 1-3/4  |     |
| 5    | 0721005     | 4        | Bolt #10 x 5/8  |     |
| 6    | 0940103     | 1        | Bumper Kit (Includes Corners and Enough Straight Material for One Platform) |     |
| 6    | 0940092     | 12       | Bumper (Corner)   |     |
| 6    | 0940094     | AR       | Bumper (12ft Length)  |     |
| 7    | 1060341     | 23 ft/7m | Cable, Electrical - 16/2  |     |
| 8    | 1060903     | 4        | Wire Rope and Eyebolt Assembly  |     |
| 9    | 1702938     | 1        | Decal - Soft Touch Override   |     |
| 10   | 3311401     | 8        | Nut 1/4   |     |
| 11   | 3311501     | 8        | Nut 5/16  |     |
| 12   | 3574091     | 2        | Plate, Switch Strike  |     |
| 13   | 4240099     | 7        | Tie-Strap (Not Shown)   |     |
| 14   | 4360057     | 2        | Switch, Limit   |     |
| 15   | 4360387     | 1        | Switch, Push Button   |     |
| 16   | 4420068     | AR       | Tape, Adhesive  |     |
| 16   | 1001197017  | AR       | Tie-Strap   |     |
| 17   | 4460049     | 2        | Connector, Strain Relief  |     |
| 18   | 4460234     | 7        | Tie-Strap (Not Shown)   |     |
| 19   | 4460425     | 1        | Connector, Strain Relief  |     |
| 20   | 4751400     | 8        | Washer 1/4  |     |
| 21   | 4751500     | 12       | Washer 5/16   |     |
| 22   | 4751800     | 8        | Washer 1/2  |     |
| 23   | 4846673     | 1        | Rail, Soft Touch  |     |
| 24   | 4933218     | 1        | Soft Touch Wiring Diagram (Not Shown - Reference Only)                      |     |
| 25   | 2920028     | 1        | Light, Indicator  |     |
| 26   | 2920029     | 1        | Bulb, Light   |     |

# SECTION 5 - PLATFORM

## FIGURE 5-39. SOFT TOUCH SYSTEM INSTALLATION - 8FT/2.44M FALL ARREST PLATFORM



ART\_0273706

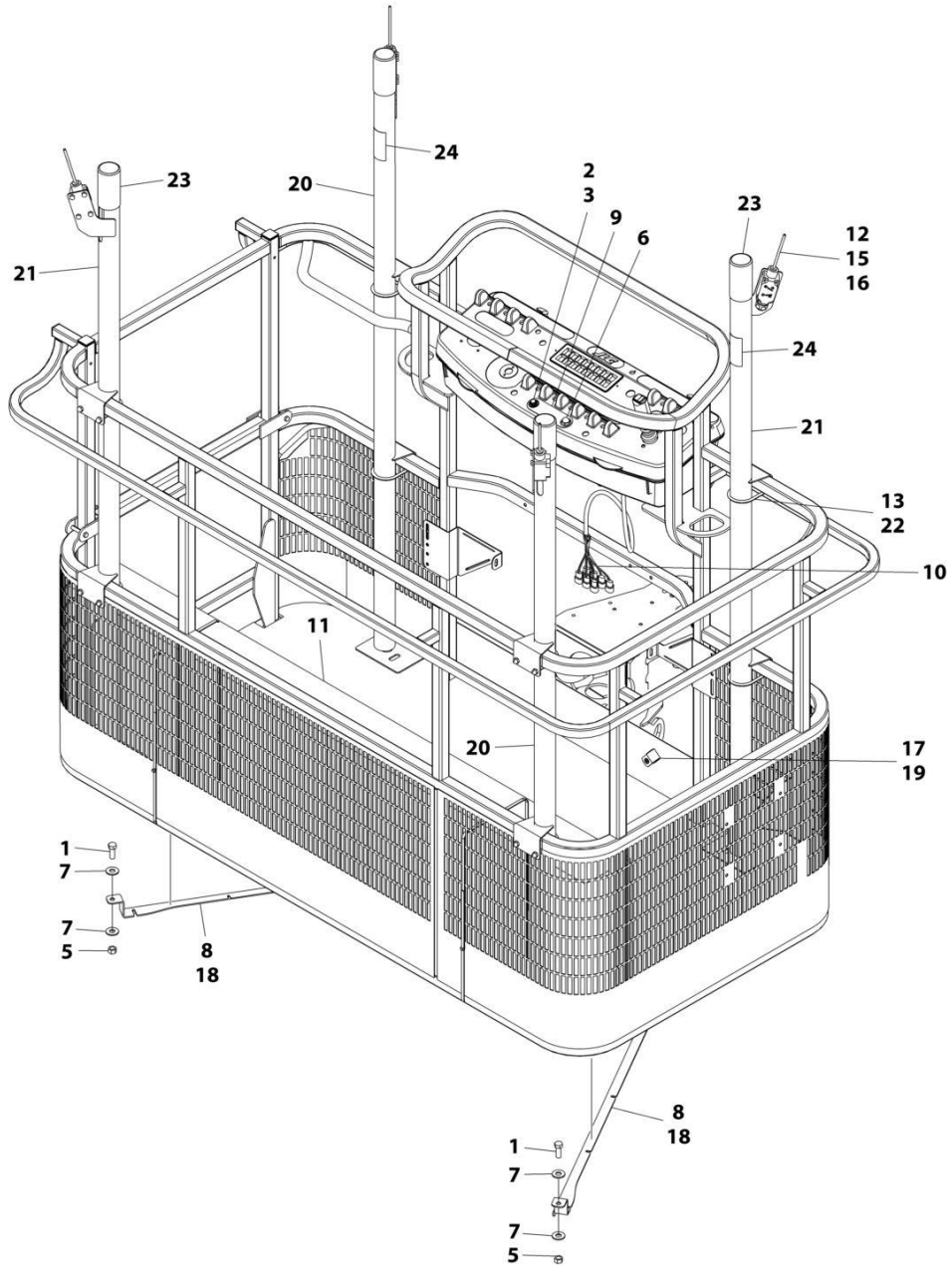
## SECTION 5 - PLATFORM

**FIGURE 5-39. SOFT TOUCH SYSTEM INSTALLATION - 8FT/2.44M FALL ARREST PLATFORM**

| ITEM | PART NUMBER | QTY      | DESCRIPTION   | REV |
|------|-------------|----------|---|-----|
|      | 0273706     | Ref      | SOFT TOUCH INSTALLATION   | D   |
| 1    | 0100011     | AR       | Compound, Locking   |     |
| 2    | 0200048     | 2        | Arm, Switch   |     |
| 3    | 0630462     | 8        | Bolt  |     |
| 4    | 0641414     | 8        | Bolt 1/4 x 1-3/4  |     |
| 5    | 0721005     | 4        | Bolt #10 x 5/8  |     |
| 6    | 0940133     | 1        | Bumper Kit (Includes Corners and Enough Straight Material for One Platform) |     |
| 6    | 0940092     | 8        | Bumper (Corner)   |     |
| 6    | 0940094     | AR       | Bumper (12ft Length)  |     |
| 7    | 1060341     | 23 ft/7m | Cable, Electrical - 16/2  |     |
| 8    | 1060903     | 4        | Wire Rope and Eyebolt Assembly  |     |
| 9    | 1702938     | 1        | Decal - Soft Touch Override   |     |
| 10   | 3311401     | 8        | Nut 1/4   |     |
| 11   | 3311501     | 8        | Nut 5/16  |     |
| 12   | 3574091     | 2        | Plate, Switch Strike  |     |
| 13   | 4240099     | 7        | Tie-Strap (Not Shown)   |     |
| 14   | 4360057     | 2        | Switch, Limit   |     |
| 15   | 4360387     | 1        | Switch, Push Button   |     |
| 16   | 4420068     | AR       | Tape, Adhesive  |     |
| 16   | 1001197017  | AR       | Tie-Strap   |     |
| 17   | 4460049     | 2        | Connector, Strain Relief  |     |
| 18   | 4460234     | 7        | Tie-Strap (Not Shown)   |     |
| 19   | 4460425     | 1        | Connector, Strain Relief  |     |
| 20   | 4751400     | 8        | Washer 1/4  |     |
| 21   | 4751500     | 12       | Washer 5/16   |     |
| 22   | 4751800     | 8        | Washer 1/2  |     |
| 23   | 4846673     | 1        | Rail, Soft Touch  |     |
| 25   | 2920028     | 1        | Light, Indicator  |     |
| 26   | 2920029     | 1        | Bulb, Light   |     |

# SECTION 5 - PLATFORM

## FIGURE 5-40. SOFT TOUCH SYSTEM INSTALLATION - OVER HEAD (CHINESE/KOREAN SPECS)



ART\_1001110926

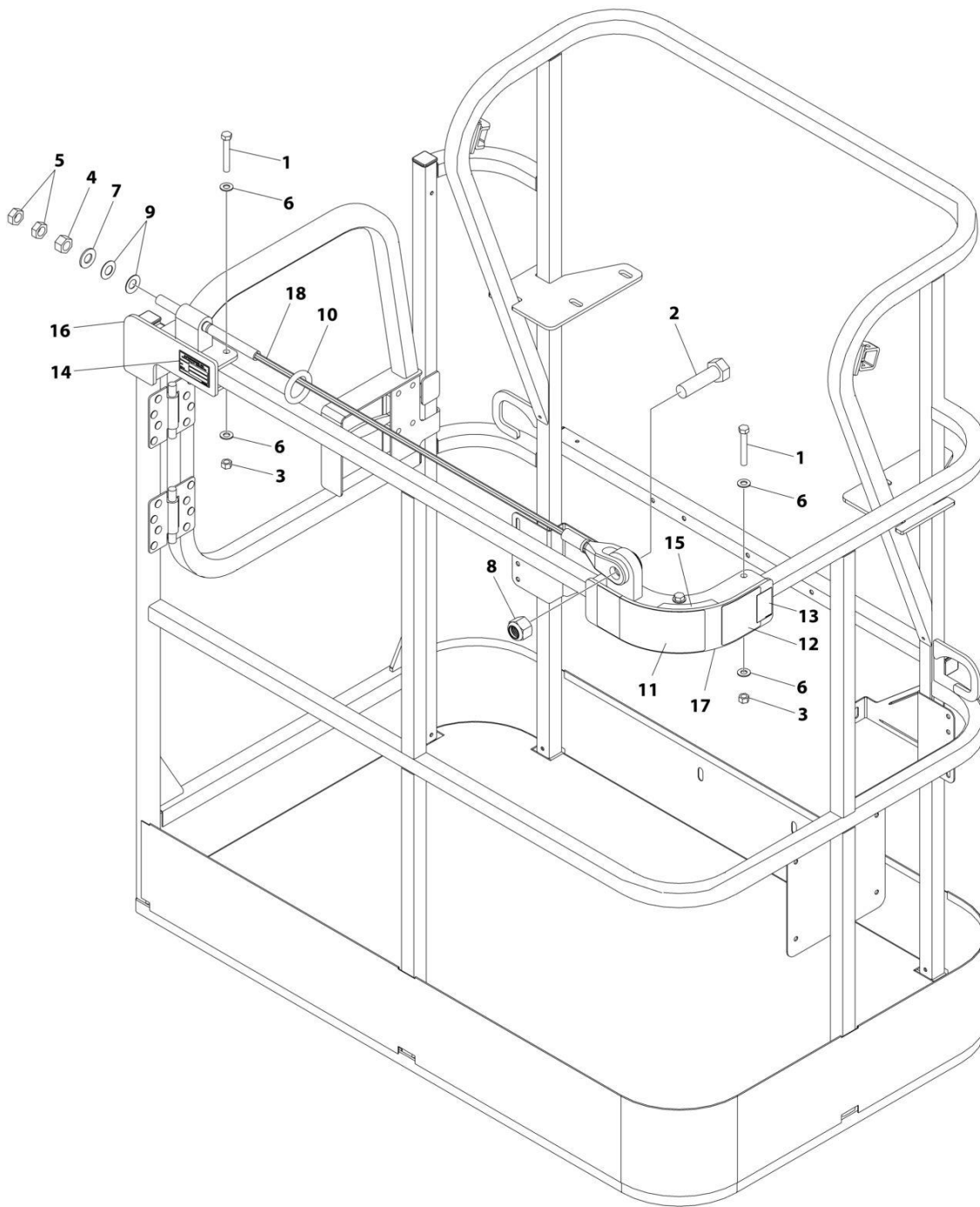
## SECTION 5 - PLATFORM

**FIGURE 5-40. SOFT TOUCH SYSTEM INSTALLATION - OVER HEAD (CHINESE/KOREAN SPECS)**

| ITEM | PART NUMBER | QTY | DESCRIPTION                     | REV |
|------|-------------|-----|---------------------------------|-----|
|      | 1001110926  | Ref | SOFT TOUCH INSTALLATION         | C   |
| 1    | 0641608     | 4   | Bolt 3/8 x 1                    |     |
| 2    | 2920028     | 1   | Light, Indicator                |     |
| 3    | 2920029     | 1   | Bulb, Light                     |     |
| 5    | 3311605     | 4   | Nut 3/8                         |     |
| 6    | 4360387     | 1   | Switch, Push Button             |     |
| 7    | 4751600     | 8   | Washer 3/8                      |     |
| 8    | 1001113643  | 2   | Bracket                         |     |
| 9    | 1001113691  | 1   | Decal - Soft Touch Override     |     |
| 10   | 1001113857  | 1   | Soft Touch Harness - Overhead   |     |
| 10   | 4460897     | 4   | Receptacle, Female - 2 Position |     |
| 10   | 4460464     | 8   | Pin, Male                       |     |
| 11   | 1001113856  | Ref | Overhead Soft Touch Kit         |     |
| 12   | 0641405     | 16  | Bolt 1/4 x 5/8                  |     |
| 13   | 3300356     | 16  | Nut 5/16                        |     |
| 14   | 4240099     | 16  | Tie, Wire (Not Shown)           |     |
| 15   | 4360477     | 4   | Switch, Proximity               |     |
| 16   | 4460662     | 4   | Connector, Strain Relief        |     |
| 17   | 4711400     | 2   | Washer 1/4                      |     |
| 18   | 1001090615  | 4   | Grommet                         |     |
| 19   | 1001102858  | 2   | Clamp                           |     |
| 20   | 1001110935  | 2   | Tube                            |     |
| 21   | 1001113741  | 2   | Tube                            |     |
| 22   | 1001113743  | 8   | Bolt 5/16 x 3.65                |     |
| 23   | 1001113774  | 4   | Cap                             |     |
| 24   | 1001131802  | 4   | Decal - Weight                  |     |

# SECTION 5 - PLATFORM

## FIGURE 5-41. FALL ARREST INSTALLATION (BOLT-ON) (4FT/1.22M PLATFORM)



ART\_1001261338

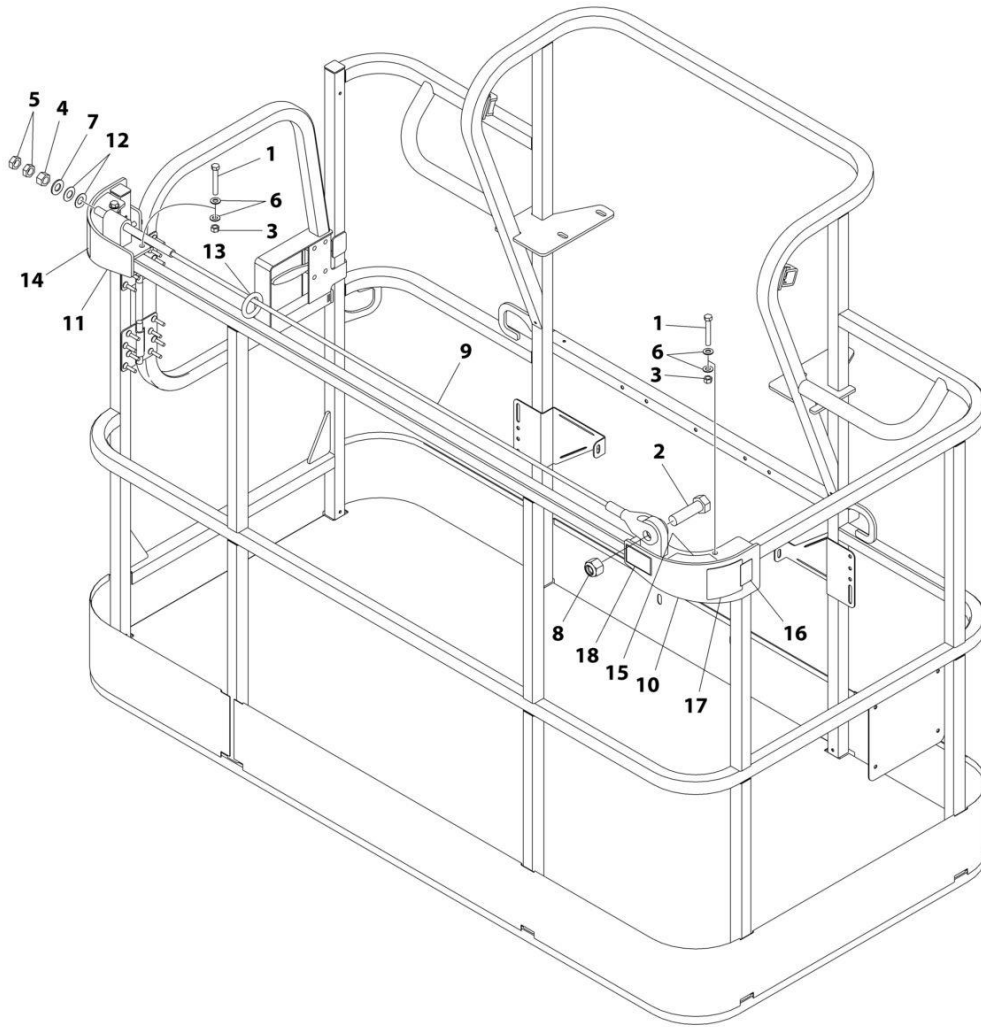
## SECTION 5 - PLATFORM

**FIGURE 5-41. FALL ARREST INSTALLATION (BOLT-ON) (4FT/1.22M PLATFORM)**

| ITEM | PART NUMBER | QTY | DESCRIPTION  | REV |
|------|-------------|-----|--|-----|
|      | 1001261338  | Ref | FALL ARREST INSTALLATION   | A   |
| 1    | 0681620     | 6   | Bolt 3/8 x 2-1/2   |     |
| 2    | 0682424     | 1   | Bolt 7/8 x 3   |     |
| 3    | 3271605     | 6   | Nut 3/8  |     |
| 4    | 3272001     | 1   | Nut 5/8  |     |
| 5    | 3312002     | 2   | Nut 5/8  |     |
| 6    | 4711600     | 12  | Washer 3/8   |     |
| 7    | 4712000     | 1   | Washer 5/8   |     |
| 8    | 88521214    | 1   | Nut 7/8  |     |
| 9    | 1001236891  | 2   | Washer   |     |
| 10   | 1001236895  | 1   | Ring   |     |
| 11   | 1001238263  | 1   | Decal - Warning Falling Hazard   |     |
| 12   | 1001248140  | 1   | Decal - Bolt Fall Arrest Re-Cert   |     |
| 13   | 1001248141  | 1   | Decal - Incription   |     |
| 14   | See Note    | NSS | Nameplate - Manufacturers Serial Number (Note: Not Available for Purchase) |     |
| 15   | 1001252629  | 1   | Decal - Weight   |     |
| 16   | 1001257271  | 1   | Bracket (RH)   |     |
| 17   | 1001257274  | 1   | Bracket (LH)   |     |
| 18   | 1001261335  | 1   | Rope   |     |

# SECTION 5 - PLATFORM

## FIGURE 5-42. FALL ARREST INSTALLATION (BOLT-ON) (6FT/1.82M PLATFORM)



ART\_1001236747



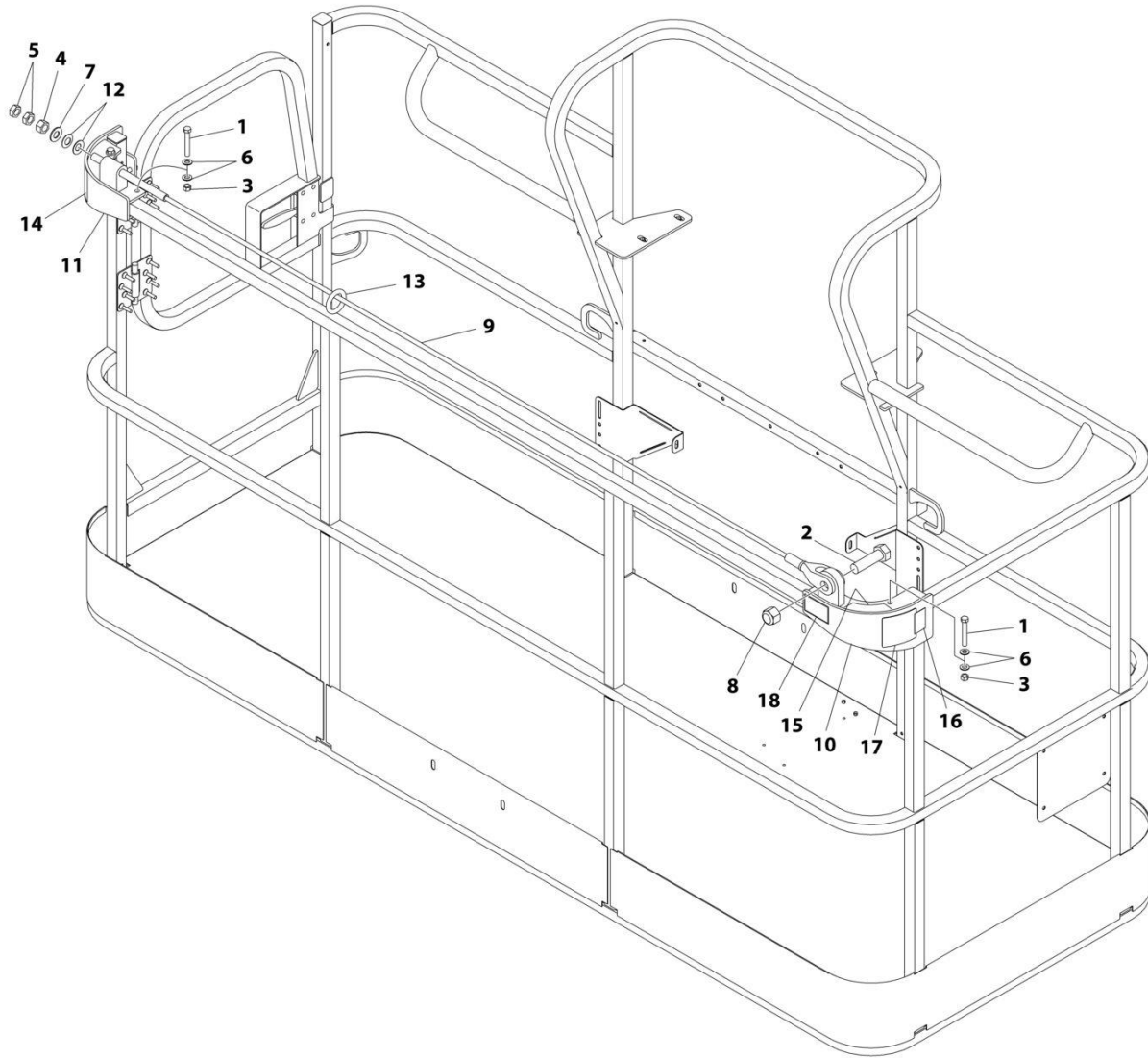
## SECTION 5 - PLATFORM

**FIGURE 5-42. FALL ARREST INSTALLATION (BOLT-ON) (6FT/1.82M PLATFORM)**

| ITEM | PART NUMBER | QTY | DESCRIPTION   | REV |
|------|-------------|-----|---|-----|
|      | 1001236747  | Ref | FALL ARREST INSTALLATION (BOLT - ON) 6FT/1.82M PLATFORM | C   |
| 1    | 0681620     | 6   | Bolt 3/8 x 2-1/2  |     |
| 2    | 0682424     | 1   | Bolt 7/8 x 3  |     |
| 3    | 3271605     | 6   | Nut 3/8   |     |
| 4    | 3272001     | 1   | Nut 5/8   |     |
| 5    | 3312002     | 2   | Nut 5/8   |     |
| 6    | 4711600     | 12  | Washer 3/8  |     |
| 7    | 4712000     | 1   | Washer 5/8  |     |
| 8    | 88521214    | 1   | Nut 7/8   |     |
| 9    | 1001231950  | 1   | Rope  |     |
| 10   | 1001232010  | 1   | Bracket (RH)  |     |
| 11   | 1001232011  | 1   | Bracket (LH)  |     |
| 12   | 1001236891  | 2   | Washer  |     |
| 13   | 1001236895  | 1   | Ring  |     |
| 14   | 1001238263  | 1   | Decal - Warning Falling Hazard                          |     |
| 15   | 1001252629  | 1   | Decal - Weight  |     |
| 16   | 1001248140  | 1   | Decal - Bolt Fall Arrest Re-Cert                        |     |
| 17   | 1001248141  | 1   | Decal - Inscription                                     |     |

# SECTION 5 - PLATFORM

FIGURE 5-43. FALL ARREST INSTALLATION (BOLT-ON) (8FT/2.4M PLATFORM)



ART\_1001236746

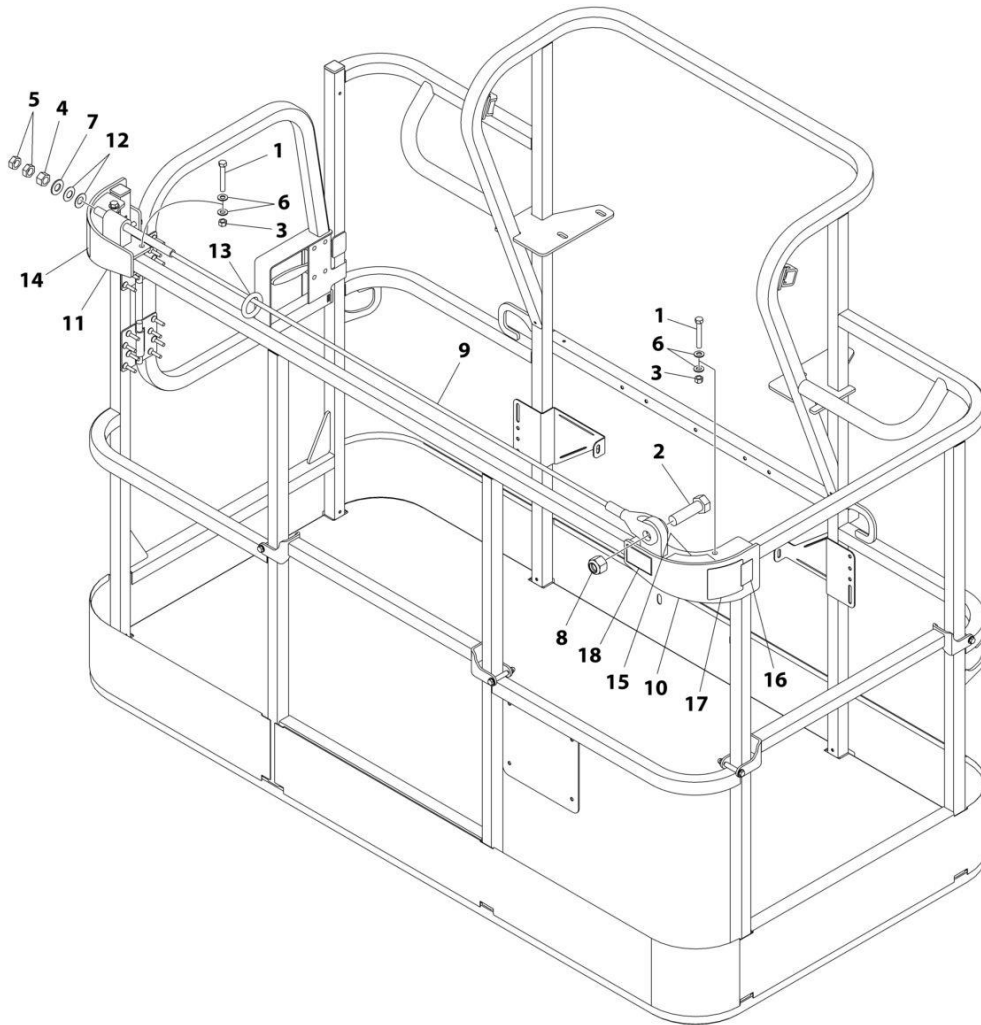
## SECTION 5 - PLATFORM

**FIGURE 5-43. FALL ARREST INSTALLATION (BOLT-ON) (8FT/2.4M PLATFORM)**

| ITEM | PART NUMBER | QTY | DESCRIPTION  | REV |
|------|-------------|-----|--|-----|
|      | 1001236746  | Ref | FALL ARREST INSTALLATION (BOLT - ON) 8FT/2.4M PLATFORM | C   |
| 1    | 0681620     | 6   | Bolt 3/8 x 2-1/2                                       |     |
| 2    | 0682424     | 1   | Bolt 7/8 x 3   |     |
| 3    | 3271605     | 6   | Nut 3/8  |     |
| 4    | 3272001     | 1   | Nut 5/8  |     |
| 5    | 3312002     | 2   | Nut 5/8  |     |
| 6    | 4711600     | 12  | Washer 3/8   |     |
| 7    | 4712000     | 1   | Washer 5/8   |     |
| 8    | 88521214    | 1   | Nut 7/8  |     |
| 9    | 1001231949  | 1   | Rope   |     |
| 10   | 1001232010  | 1   | Bracket (RH)   |     |
| 11   | 1001232011  | 1   | Bracket (LH)   |     |
| 12   | 1001236891  | 2   | Washer   |     |
| 13   | 1001236895  | 1   | Ring   |     |
| 14   | 1001238263  | 1   | Decal - Warning Falling Hazard                         |     |
| 15   | 1001252629  | 1   | Decal - Weight 23LBS/10.4KG                            |     |
| 16   | 1001248140  | 1   | Decal - Bolt Fall Arrest Re-Cert                       |     |
| 17   | 1001248141  | 1   | Decal - Inscription                                    |     |

# SECTION 5 - PLATFORM

FIGURE 5-44. FALL ARREST INSTALLATION (BOLT-ON) (6FT/1.82M TRI-ENTRY PLATFORM)



ART\_1001238463

## SECTION 5 - PLATFORM

**FIGURE 5-44. FALL ARREST INSTALLATION (BOLT-ON) (6FT/1.82M TRI-ENTRY PLATFORM)**

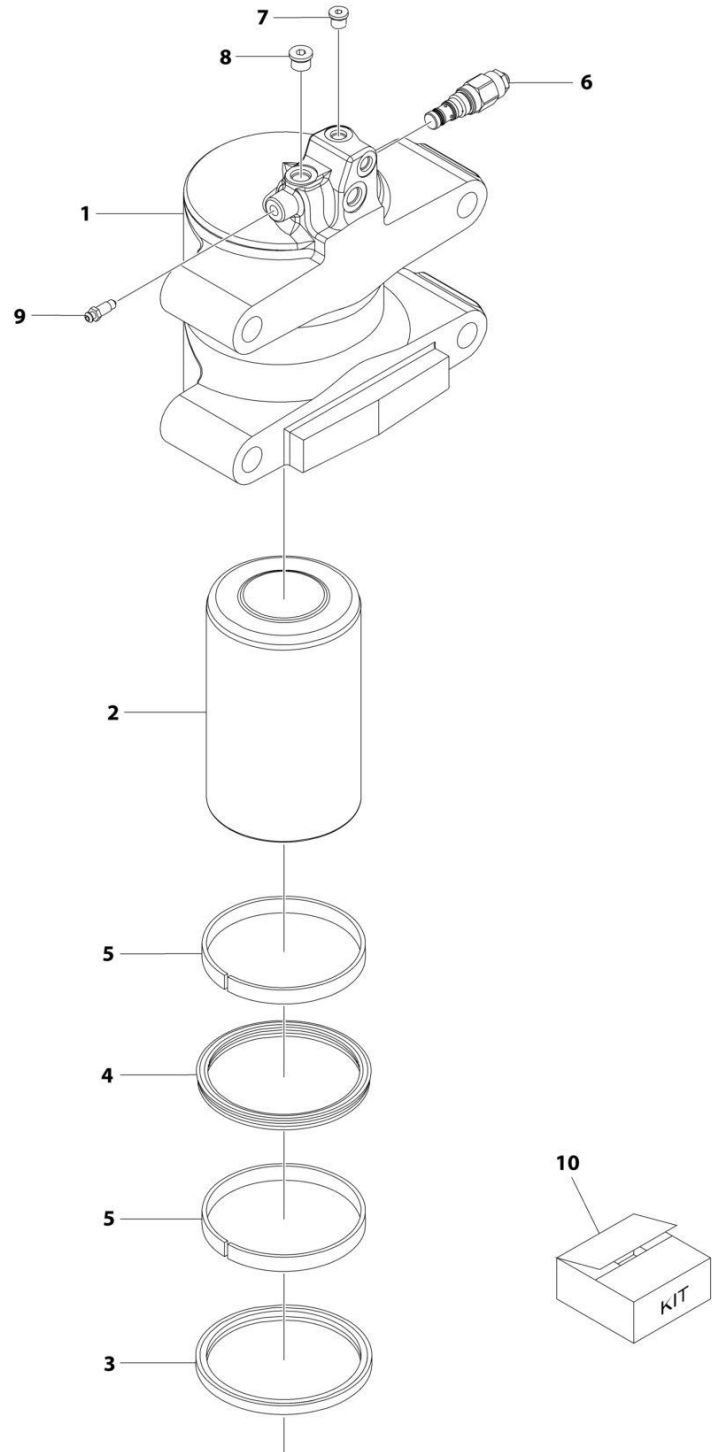
| ITEM | PART NUMBER | QTY | DESCRIPTION   | REV |
|------|-------------|-----|---|-----|
|      | 1001238463  | Ref | FALL ARREST INSTALLATION (BOLT - ON) 6FT/1.82M PLATFORM | C   |
| 1    | 0681620     | 6   | Bolt 3/8 x 2-1/2  |     |
| 2    | 0682424     | 1   | Bolt 7/8 x 3  |     |
| 3    | 3271605     | 6   | Nut 3/8   |     |
| 4    | 3272001     | 1   | Nut 5/8   |     |
| 5    | 3312002     | 2   | Nut 5/8   |     |
| 6    | 4711600     | 12  | Washer 3/8  |     |
| 7    | 4712000     | 1   | Washer 5/8  |     |
| 8    | 88521214    | 1   | Nut 7/8   |     |
| 9    | 1001231950  | 1   | Rope  |     |
| 10   | 1001232010  | 1   | Bracket (RH)  |     |
| 11   | 1001232011  | 1   | Bracket (LH)  |     |
| 12   | 1001236891  | 2   | Washer  |     |
| 13   | 1001236895  | 1   | Ring  |     |
| 14   | 1001238263  | 1   | Decal - Warning Falling Hazard                          |     |
| 15   | 1001252629  | 1   | Decal - Weight  |     |
| 16   | 1001248140  | 1   | Decal - Bolt Fall Arrest Re-Cert                        |     |
| 17   | 1001248141  | 1   | Decal - Inscription                                     |     |



**SECTION 6 - CYLINDER**

# SECTION 6 - CYLINDER

## FIGURE 6-1. AXLE LOCKOUT CYLINDER ASSEMBLY



ART\_1001204560



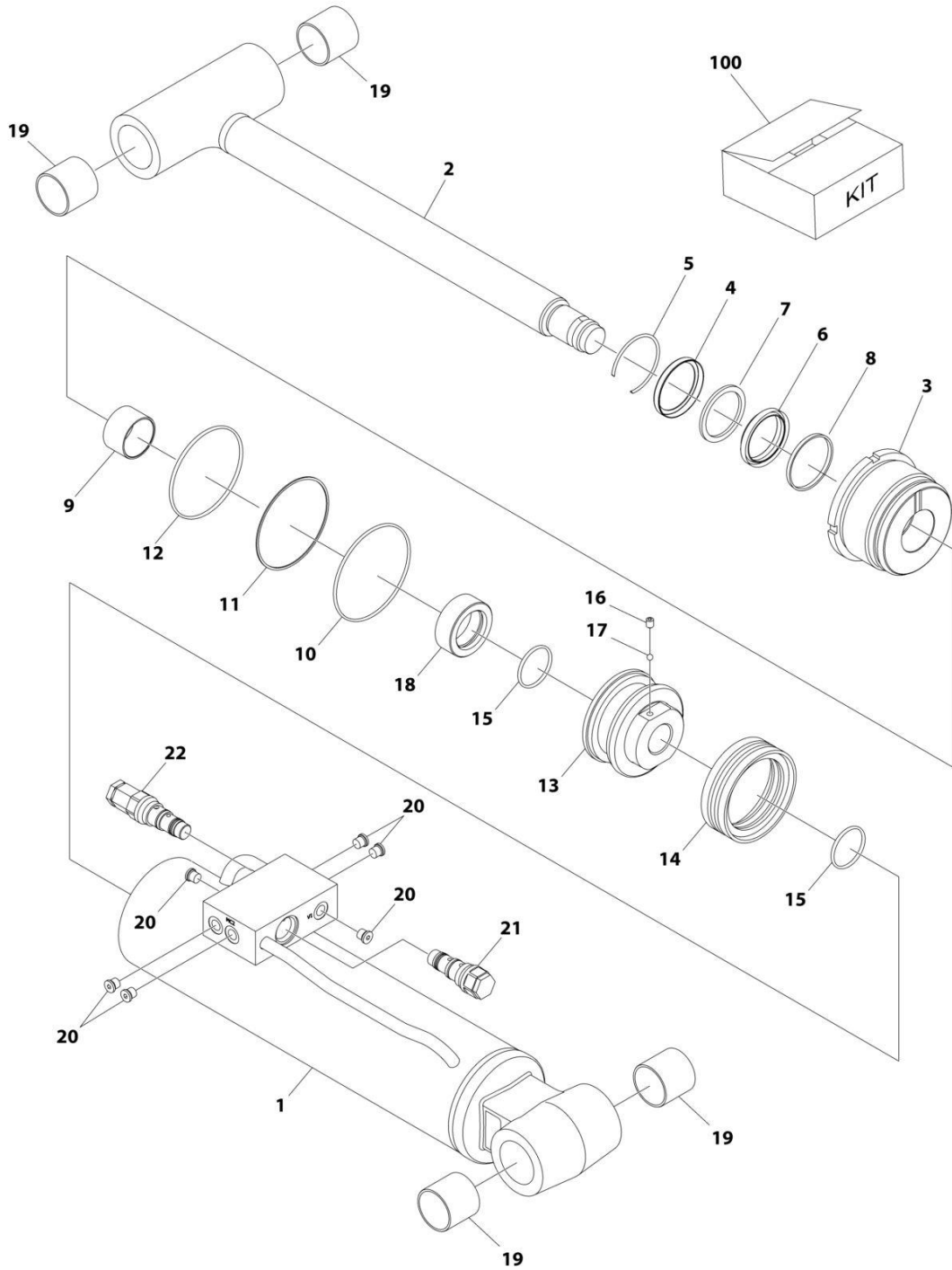
## SECTION 6 - CYLINDER

**FIGURE 6-1. AXLE LOCKOUT CYLINDER ASSEMBLY**

| ITEM | PART NUMBER | QTY | DESCRIPTION                                  | REV |
|------|-------------|-----|--|-----|
|      | 1001204560  | Ref | AXLE LOCKOUT CYLINDER ASSEMBLY               | D   |
| 1    | 1001154126  | 1   | Barrel                                       |     |
| 2    | 1001154687  | 1   | Rod  |     |
| 3    | See Note    | NSS | Wiper (Note: Use Item 10)                    |     |
| 4    | See Note    | NSS | Seal, Rod (Note: Use Item 10)                |     |
| 5    | See Note    | NSS | Ring, Wear (Note: Use Item 10)               |     |
| 6    | 1001117372  | 1   | Cartridge, Valve (Counterbalance)            |     |
| 6    | 70002842    | 1   | Seal Kit - 1001117372 Valve (1 Per Assembly) |     |
| 7    | 2220883     | 1   | Plug, O-Ring                                 |     |
| 8    | 2220885     | 1   | Plug, O-Ring                                 |     |
| 9    | 4640858     | 1   | Valve, Bleeder                               |     |
| 10   | 1001098167  | 1   | Seal Kit (Includes Items 3-5)                |     |

# SECTION 6 - CYLINDER

## FIGURE 6-2. LEVEL CYLINDER ASSEMBLY - PLATFORM SLAVE (860SJ HC3)



ART\_1001247466

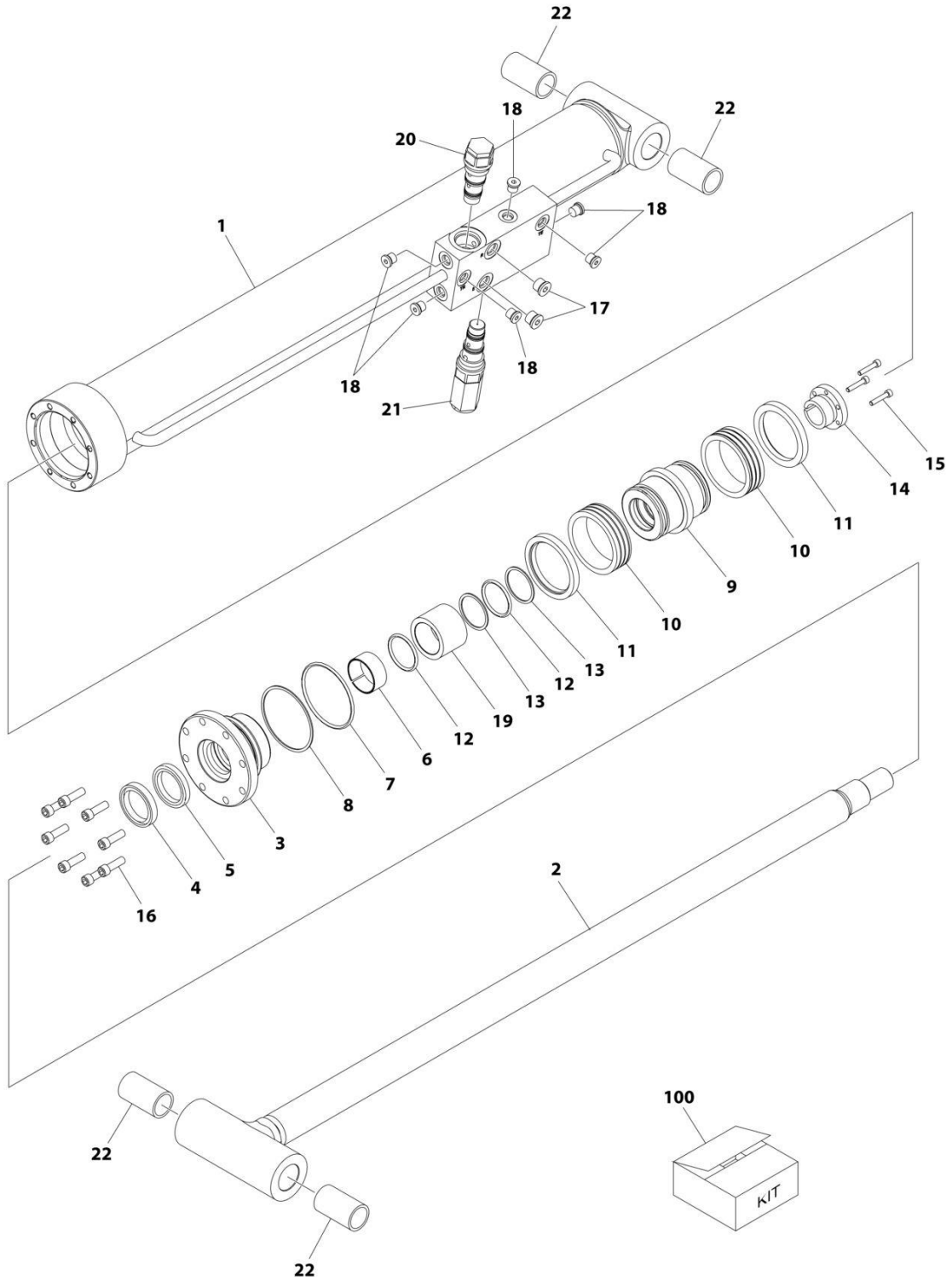
## SECTION 6 - CYLINDER

**FIGURE 6-2. LEVEL CYLINDER ASSEMBLY - PLATFORM SLAVE (860SJ HC3)**

| ITEM | PART NUMBER | QTY | DESCRIPTION   | REV |
|------|-------------|-----|---|-----|
|      | 1001247466  | Ref | LEVEL CYLINDER ASSEMBLY                                       | C   |
| 1    | See Note    | NSS | Barrel (Note: Use P/N 1001247466)                             |     |
| 2    | 70007168    | 1   | Rod   |     |
| 3    | 70007157    | 1   | Head  |     |
| 4    | See Note    | NSS | Wiper (Use Item:100)  |     |
| 5    | 70002410    | 1   | Ring, Retaining   |     |
| 6    | See Note    | NSS | Seal, Rod (Use Item:100)                                      |     |
| 7    | See Note    | NSS | Ring, Back Up (Use Item:100)                                  |     |
| 8    | See Note    | NSS | Ring, Buffer (Use Item:100)                                   |     |
| 9    | 70004237    | 1   | Ring, Wear (Use Item:100)                                     |     |
| 10   | See Note    | NSS | O-Ring (Use Item:100)   |     |
| 11   | See Note    | NSS | Ring, Back up (Use Item:100)                                  |     |
| 12   | See Note    | NSS | O-Ring (Use Item:100)   |     |
| 13   | 70007161    | 1   | Piston  |     |
| 14   | See Note    | NSS | Seal, Piston (Use Item:100)                                   |     |
| 15   | See Note    | NSS | O-Ring (Use Item:100)   |     |
| 16   | 70006596    | 1   | Setscrew  |     |
| 17   | 70022564    | 1   | Ball  |     |
| 18   | 70007169    | 1   | Spacer  |     |
| 19   | 70007159    | 4   | Bearing   |     |
| 20   | 2220883     | 6   | Plug  |     |
| 21   | 4640999     | 1   | Valve, Counterbalance   |     |
| 21   | 2900792     | 1   | Seal Kit - 4640999 Valve                                      |     |
| 22   | 4640932     | 1   | Valve, Counterbalance   |     |
| 22   | 7011112     | 1   | Seal Kit - 4640932 Valve                                      |     |
| 100  | 70007251    | 1   | Seal Kit, Cylinder (Include items : 4,6,7,8,10,11,12,14 & 15) |     |

# SECTION 6 - CYLINDER

## FIGURE 6-3. LIFT CYLINDER ASSEMBLY - JIB (860SJ HC3 ONLY)



ART\_1001259137

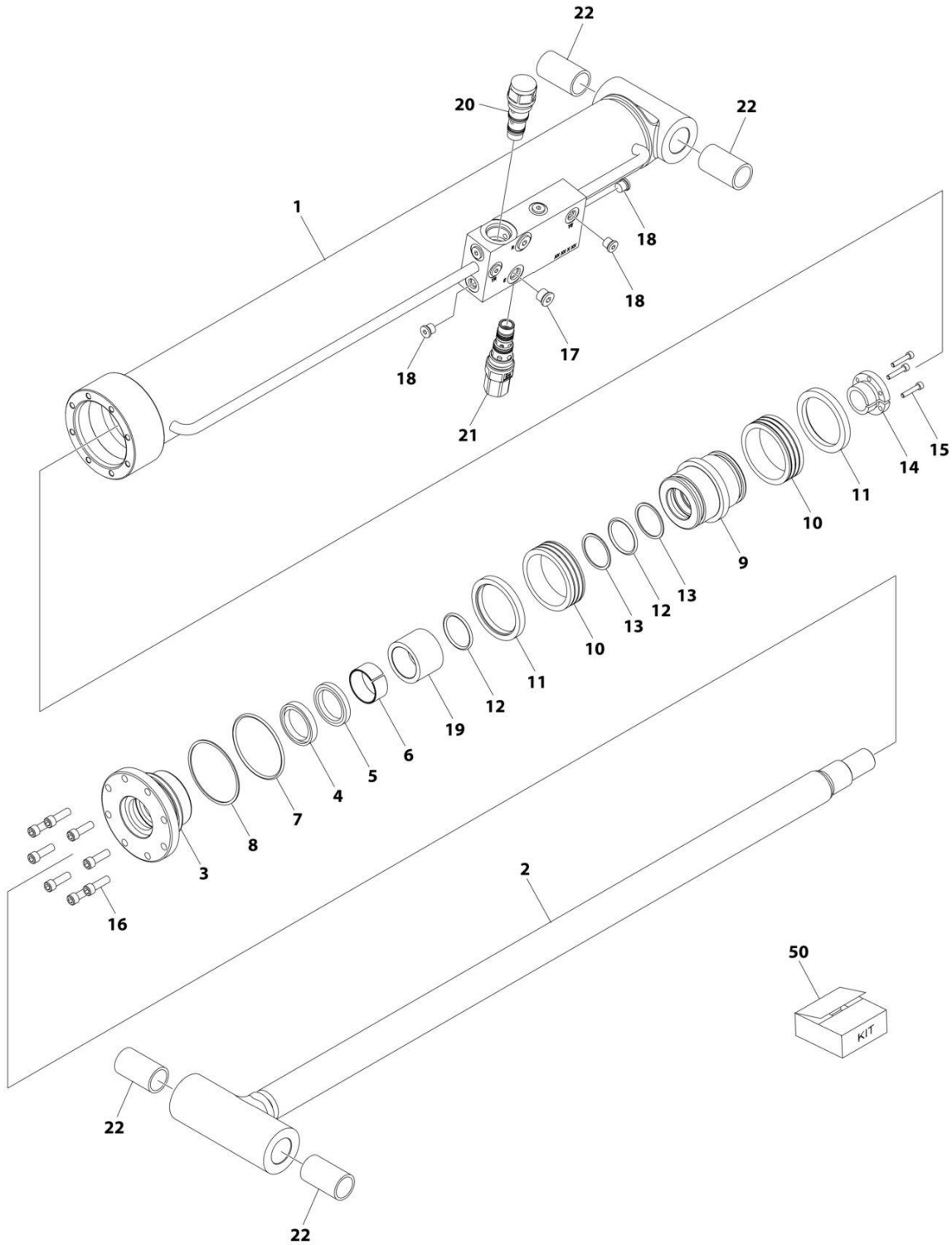
## SECTION 6 - CYLINDER

**FIGURE 6-3. LIFT CYLINDER ASSEMBLY - JIB (860SJ HC3 ONLY)**

| ITEM | PART NUMBER | QTY | DESCRIPTION   | REV |
|------|-------------|-----|---|-----|
|      | 1001259137  | Ref | LIFT CYLINDER ASSEMBLY - JIB  | A   |
|      |             | Ref | Note: Original Cylinder May Have Been Replaced with Service Replacement. Identify PN Stamped on Cylinder Before Ordering Parts. |     |
| 1    | See Note    | NSS | Barrel (Note: Not Available for Purchase)   |     |
| 2    | 70006734    | 1   | Rod   |     |
| 3    | 70006649    | 1   | Head  |     |
| 4    | See Note    | NSS | Wiper (Note: Use Item 100)  |     |
| 5    | See Note    | NSS | Seal, Rod (Note: Use Item 100)  |     |
| 6    | See Note    | NSS | Ring, Wear (Note: Use Item 100)   |     |
| 7    | See Note    | NSS | O-Ring (Note: Use Item 100)   |     |
| 8    | See Note    | NSS | Ring, Back-up (Note: Use Item 100)  |     |
| 9    | 70006650    | 1   | Piston  |     |
| 10   | See Note    | NSS | Seal (Note: Use Item 100)   |     |
| 11   | See Note    | NSS | Ring, Lock (Note: Use Item 100)   |     |
| 12   | See Note    | NSS | O-Ring (Note: Use Item 100)   |     |
| 13   | See Note    | NSS | Ring, Back-up (Note: Use Item 100)  |     |
| 14   | 0961893     | 1   | Bushing, Tapered  |     |
| 15   | 0630534     | 3   | Capscrew, Socket Head #10 x 1   |     |
| 16   | 70006735    | 8   | Capscrew 5/16   |     |
| 17   | 2220885     | 2   | Plug, O-Ring  |     |
| 18   | 2220883     | 6   | Plug, O-Ring  |     |
| 19   | 70006736    | 1   | Spacer  |     |
| 20   | 4640509     | 1   | Cartridge, Valve  |     |
| 20   | 2900792     | 1   | Seal Kit - 4640509 Valve  |     |
| 21   | 1001259138  | 1   | Cartridge, Valve  |     |
| 21   | 70004186    | 1   | Seal Kit - 1001259138 Valve   |     |
| 22   | 0962336     | 4   | Bushing   |     |
| 100  | 1001138795  | 1   | Seal Kit (Includes Items 4-8 & 10-13)   |     |

# SECTION 6 - CYLINDER

## FIGURE 6-4. LIFT CYLINDER ASSEMBLY - JIB



ART\_1001264302

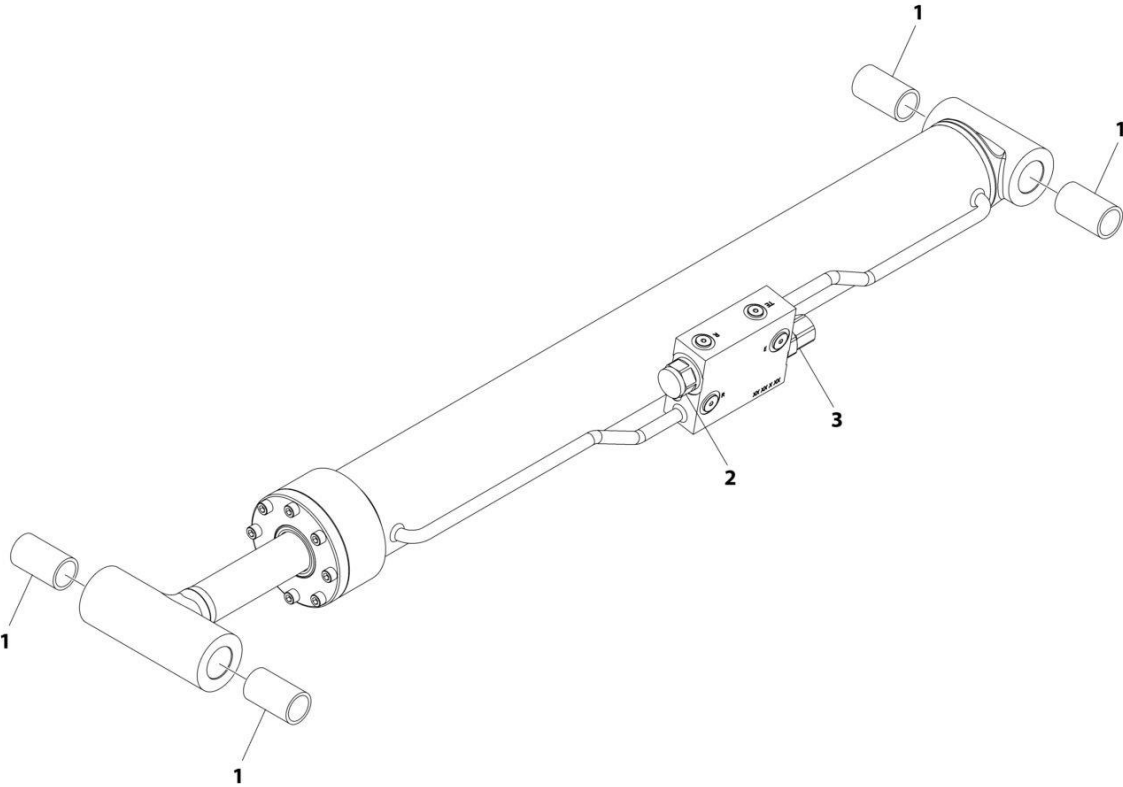
## SECTION 6 - CYLINDER

**FIGURE 6-4. LIFT CYLINDER ASSEMBLY - JIB**

| ITEM | PART NUMBER | QTY | DESCRIPTION   | REV |
|------|-------------|-----|---|-----|
|      | 1001264302  | Ref | LIFT CYLINDER ASSEMBLY - JIB  | B   |
|      |             | Ref | Note: Original Cylinder May Have Been Replaced with Service Replacement. Identify PN Stamped on Cylinder Before Ordering Parts. |     |
| 1    | See Note    | NSS | Barrel  |     |
| 2    | 70006734    | 1   | Rod   |     |
| 3    | 70006649    | 1   | Head  |     |
| 4    | See Note    | NSS | Wiper (Note: Use Item 50)   |     |
| 5    | See Note    | NSS | Seal, Rod (Note: Use Item 50)   |     |
| 6    | See Note    | NSS | Ring, Wear (Note: Use Item 50)  |     |
| 7    | See Note    | NSS | O-Ring (Note: Use Item 50)  |     |
| 8    | See Note    | NSS | Ring, Back-up (Note: Use Item 50)   |     |
| 9    | 70006650    | 1   | Piston  |     |
| 10   | See Note    | NSS | Seal (Note: Use Item 50)  |     |
| 11   | See Note    | NSS | Ring, Lock (Note: Use Item 50)  |     |
| 12   | See Note    | NSS | O-Ring (Note: Use Item 50)  |     |
| 13   | See Note    | NSS | Ring, Back-up (Note: Use Item 50)   |     |
| 14   | 0961893     | 1   | Bushing, Tapered  |     |
| 15   | 0630534     | 3   | Capscrew  |     |
| 16   | 70006735    | 8   | Capscrew  |     |
| 17   | 2220885     | 2   | Plug  |     |
| 18   | 2220883     | 6   | Plug  |     |
| 19   | 70006736    | 1   | Spacer  |     |
| 20   | 4640509     | 1   | Cartridge, Counterbalance Valve   |     |
| 20   | 2900792     | 1   | Seal Kit - 4640509 Valve  |     |
| 21   | 1001263800  | 1   | Cartridge, Counterbalance Valve   |     |
| 21   | 70004186    | 1   | Seal Kit - 1001263800 Valve   |     |
| 22   | 0962336     | 4   | Bushing   |     |
| 50   | 1001138795  | 1   | Seal Kit (Includes Items 4-8 & 10-13)   |     |

**SECTION 6 - CYLINDER**

**FIGURE 6-5. LIFT CYLINDER ASSEMBLY - JIB**



ART\_1001264991



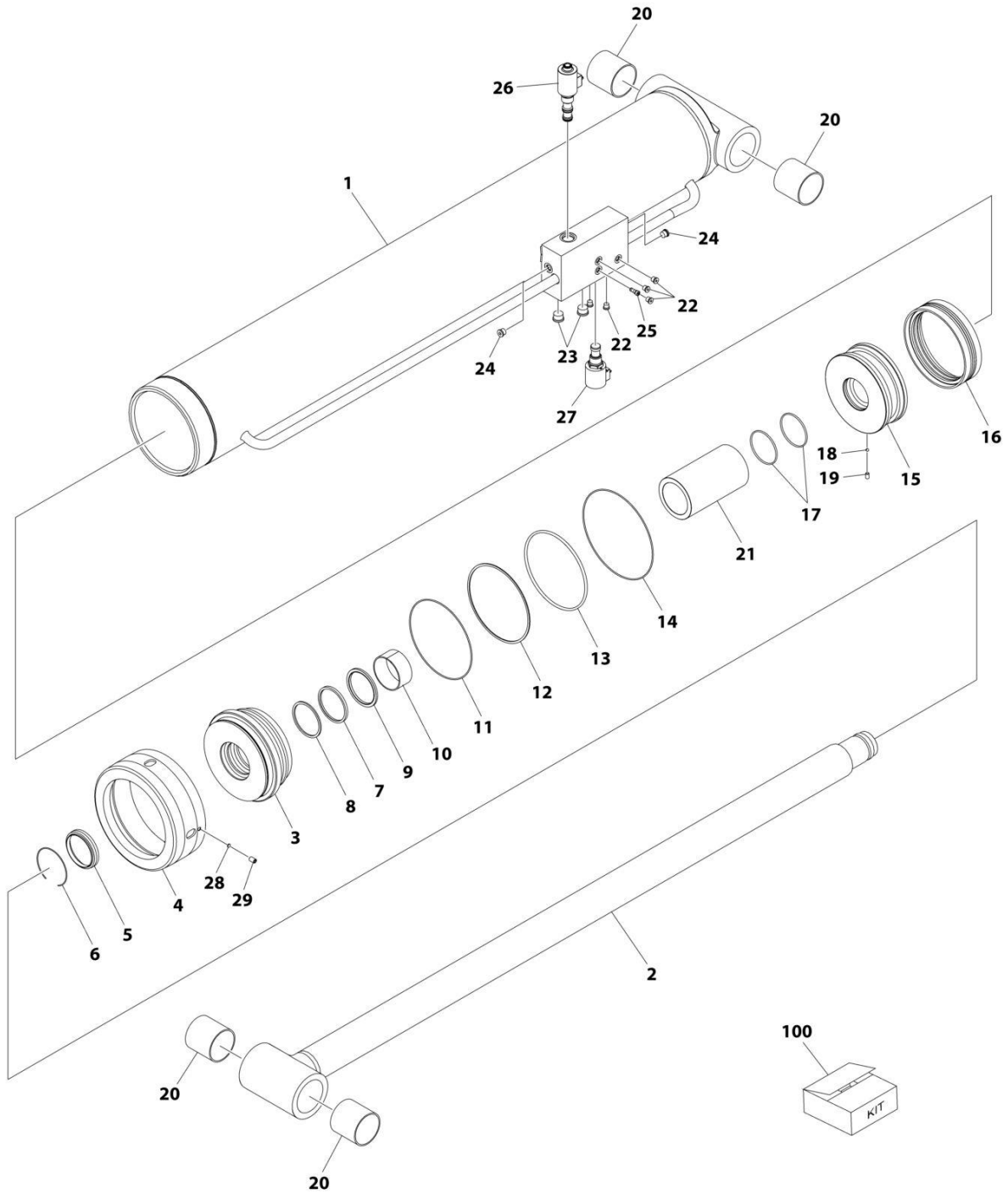
## SECTION 6 - CYLINDER

**FIGURE 6-5. LIFT CYLINDER ASSEMBLY - JIB**

| ITEM | PART NUMBER | QTY | DESCRIPTION   | REV |
|------|-------------|-----|---|-----|
|      | 1001264991  | Ref | LIFT CYLINDER ASSEMBLY - JIB  | B   |
|      |             | Ref | Note: Original Cylinder May Have Been Replaced with Service Replacement. Identify PN Stamped on Cylinder Before Ordering Parts. |     |
|      |             | Ref | Note: No Other Service Parts Available at Time of Printing  |     |
| 1    | 0962336     | 4   | Bushing, Garmax   |     |
| 2    | 4640509     | 1   | Cartridge, Valve  |     |
| 2    | 2900792     | 1   | Seal Kit - 4640509 Valve  |     |
| 3    | 1001263800  | 1   | Cartridge, Valve  |     |
| 3    | 70004186    | 1   | Seal Kit - 1001263800 Valve   |     |

# SECTION 6 - CYLINDER

## FIGURE 6-6. LIFT CYLINDER ASSEMBLY - MAIN BOOM (860SJ HC3)



ART\_1001251029

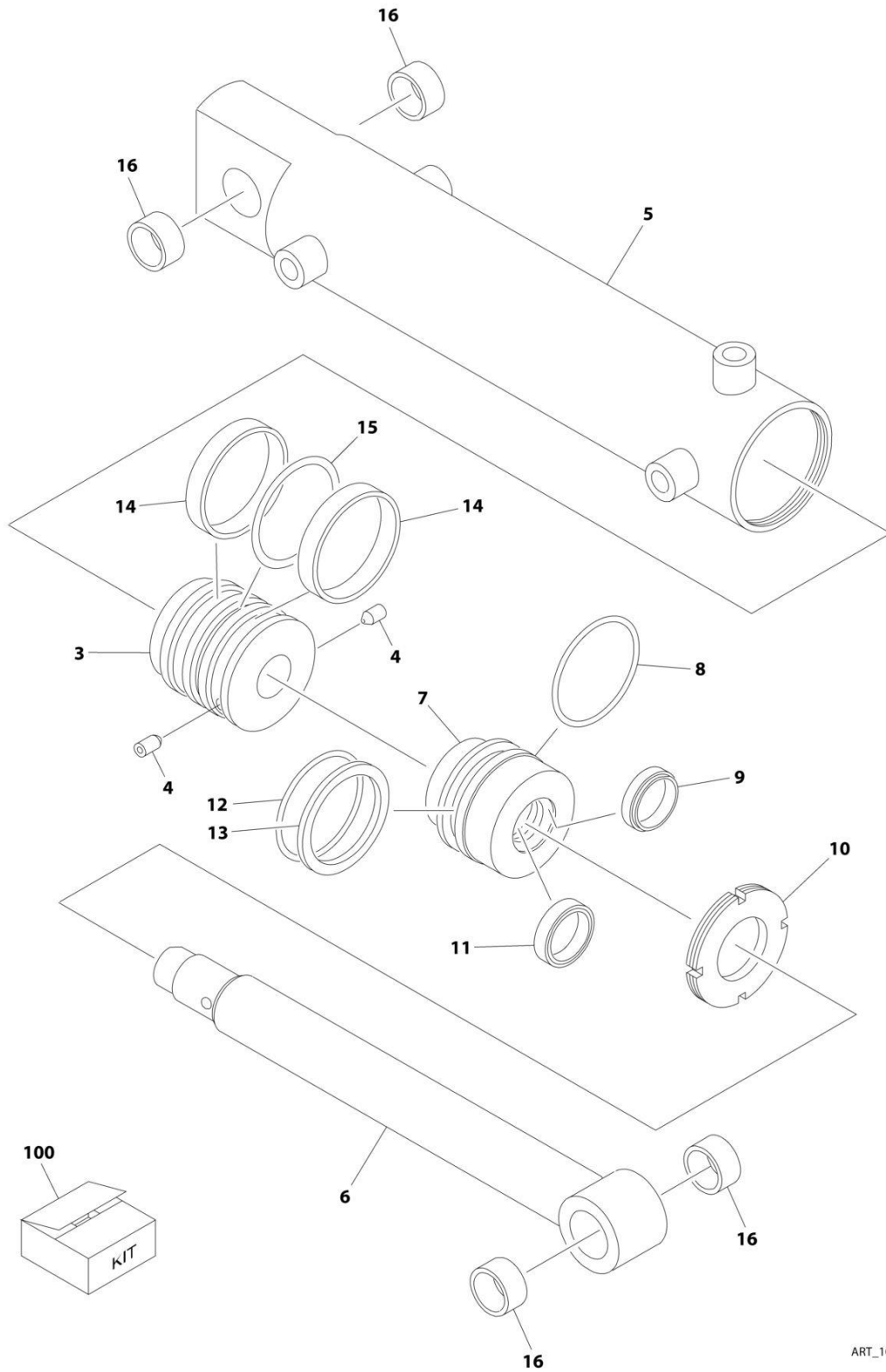
## SECTION 6 - CYLINDER

**FIGURE 6-6. LIFT CYLINDER ASSEMBLY - MAIN BOOM (860SJ HC3)**

| ITEM | PART NUMBER | QTY | DESCRIPTION   | REV |
|------|-------------|-----|---|-----|
|      | 1001251029  | Ref | LIFT CYLINDER ASSEMBLY - MAIN BOOM  | A   |
|      |             | Ref | Note: Original Cylinder may have been replaced with Service Replacement. Identify PN Stamped on Cylinder Before Ordering Parts. |     |
| 1    | See Note    | NSS | Barrel (Note: Not Available for Purchase)   |     |
| 2    | 70007276    | 1   | Rod   |     |
| 3    | 70007277    | 1   | Head  |     |
| 4    | 70007278    | 1   | Cap, Tube   |     |
| 5    | See Note    | NSS | Wiper (Note: Use Item 100)  |     |
| 6    | 70027750    | 1   | Ring, Retainer  |     |
| 7    | See Note    | NSS | Seal, Rod (Note: Use Item 100)  |     |
| 8    | See Note    | NSS | Ring, Back-up (Note: Use Item 100)  |     |
| 9    | See Note    | NSS | Ring, Buffer (Note: Use Item 100)   |     |
| 10   | 70007279    | 1   | Bearing   |     |
| 11   | See Note    | NSS | O-Ring (Note: Use Item 100)   |     |
| 12   | See Note    | NSS | Ring, Back-up (Note: Use Item 100)  |     |
| 13   | See Note    | NSS | O-Ring (Note: Use Item 100)   |     |
| 14   | See Note    | NSS | O-Ring (Note: Use Item 100)   |     |
| 15   | 70007280    | 1   | Piston  |     |
| 16   | See Note    | NSS | Seal, Piston (Note: Use Item 100)   |     |
| 17   | See Note    | NSS | O-Ring (Note: Use Item 100)   |     |
| 18   | 70022564    | 1   | Steel Ball  |     |
| 19   | 70029468    | 1   | Setscrew  |     |
| 20   | 0962033     | 4   | Bushing   |     |
| 21   | 70007281    | 1   | Spacer  |     |
| 22   | 2220883     | 5   | Plug  |     |
| 23   | 70005433    | 2   | Plug  |     |
| 24   | 2220885     | 2   | Plug  |     |
| 25   | 4641194     | 1   | Cartridge, Relief Valve   |     |
| 25   | 7023927     | 1   | Seal Kit - 4641194 Valve  |     |
| 26   | 4641234     | 1   | Cartridge, Lift Relief Proportional Solenoid  |     |
| 26   | 7023982     | 1   | Cartridge - 4641234 Valve   |     |
| 26   | 7012925     | 1   | Seal Kit - 4641234 Valve  |     |
| 26   | 7017451     | 1   | Coil - 4641234 Valve  |     |
| 27   | 4641188     | 1   | Cartridge, Lift Holding Solenoid  |     |
| 27   | 7023923     | 1   | Cartridge - 4641188 Valve   |     |
| 27   | 7023919     | 1   | Seal Kit - 4641188 Valve  |     |
| 27   | 7012943     | 1   | Coil - 4641188 Valve  |     |
| 28   | 70007282    | 1   | Insert, Locking   |     |
| 29   | 70026287    | 1   | Setscrew  |     |
| 100  | 70007283    | 1   | Seal Kit (Includes Items 5, 7-9, 11-14, 16 & 17)  |     |

# SECTION 6 - CYLINDER

## FIGURE 6-7. STEER CYLINDER ASSEMBLY



ART\_1001150539

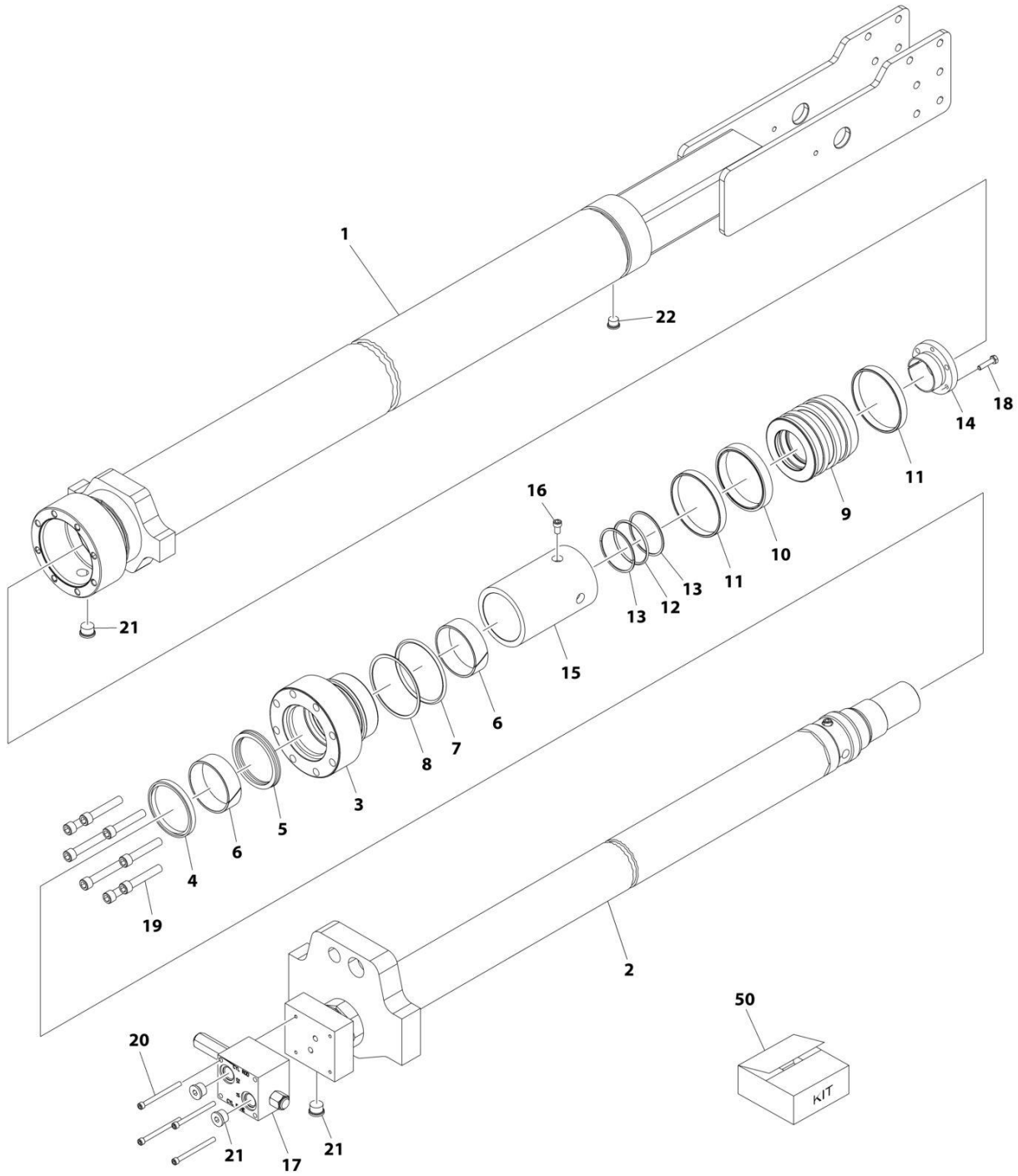
## SECTION 6 - CYLINDER

**FIGURE 6-7. STEER CYLINDER ASSEMBLY**

| ITEM | PART NUMBER | QTY | DESCRIPTION   | REV |
|------|-------------|-----|---|-----|
|      | 1001150539  | Ref | STEER CYLINDER ASSEMBLY   | F   |
|      |             | Ref | Note: Original Cylinder may have been replaced with Service Replacement. Identify PN Stamped on Cylinder Before Ordering Parts. |     |
| 3    | 70002744    | 1   | Piston  |     |
| 4    | 70002745    | 2   | Setscrew M6 x 10  |     |
| 5    | 70004381    | 1   | Barrel  |     |
| 6    | 70004382    | 1   | Rod   |     |
| 7    | 70002748    | 1   | Head  |     |
| 8    | See Note    | NSS | Ring (Note: Use Item 100)   |     |
| 9    | See Note    | NSS | Wiper (Note: Use Item 100)  |     |
| 10   | 70002749    | 1   | Nut, Spanner  |     |
| 11   | See Note    | NSS | Seal (Note: Use Item 100)   |     |
| 12   | See Note    | NSS | O-Ring (Note: Use Item 100)   |     |
| 13   | See Note    | NSS | Ring, Back-up (Note: Use Item 100)  |     |
| 14   | See Note    | NSS | Ring, Wear (Note: Use Item 100)   |     |
| 15   | See Note    | NSS | Seal (Note: Use Item 100)   |     |
| 16   | 0962152     | 4   | Bushings  |     |
| 100  | 70002751    | 1   | Seal Kit (Includes Items 8, 9 & 11-15)  |     |

# SECTION 6 - CYLINDER

## FIGURE 6-8. TELESCOPE CYLINDER ASSEMBLY (860SJ HC3)



ART\_1001228083

## SECTION 6 - CYLINDER

**FIGURE 6-8. TELESCOPE CYLINDER ASSEMBLY (860SJ HC3)**

| ITEM | PART NUMBER | QTY | DESCRIPTION   | REV |
|------|-------------|-----|---|-----|
|      | 1001228083  | Ref | TELESCOPE CYLINDER ASSEMBLY   | B   |
|      |             | Ref | Note: Original Cylinder may have been replaced with Service Replacement. Identify PN Stamped on Cylinder Before Ordering Parts. |     |
| 1    | See Note    | NSS | Barrel (Note: Not Available for Purchase)   |     |
| 2    | 70006729    | 1   | Rod   |     |
| 3    | 70006694    | 1   | Head  |     |
| 4    | See Note    | NSS | Wiper (Note: Use Item 50)   |     |
| 5    | See Note    | NSS | Seal, Rod (Note: Use Item 50)   |     |
| 6    | See Note    | NSS | Ring, Wear (Note: Use Item 50)  |     |
| 7    | See Note    | NSS | O-Ring (Note: Use Item 50)  |     |
| 8    | See Note    | NSS | Ring, Back-up (Note: Use Item 50)   |     |
| 9    | 70006720    | 1   | Piston  |     |
| 10   | See Note    | NSS | T-Seal (Note: Use Item 50)  |     |
| 11   | See Note    | NSS | Ring, Wear (Note: Use Item 50)  |     |
| 12   | See Note    | NSS | O-Ring (Note: Use Item 50)  |     |
| 13   | See Note    | NSS | Ring, Back-up (Note: Use Item 50)   |     |
| 14   | 0961897     | 1   | Bushing, Tapered  |     |
| 15   | 70006730    | 1   | Spacer, Tube  |     |
| 16   | 70006731    | 1   | Bolt  |     |
| 17   | 4641033     | 1   | Valve Assembly (No serviceable parts - sold as assembly only)   |     |
| 17   | 7024508     | 2   | O-Ring (Not Shown - Located between valve and cylinder)   |     |
| 18   | 0630535     | 3   | Bolt 1/4 x 1-1/8  |     |
| 19   | 70006732    | 8   | Bolt  |     |
| 20   | 70006733    | 4   | Bolt  |     |
| 21   | 2220886     | 4   | Plug, O-Ring  |     |
| 22   | 2220885     | 1   | Plug, O-Ring  |     |
| 50   | 1001181694  | 1   | Seal Kit Options (Includes Items 4-8 & 10-13)   |     |

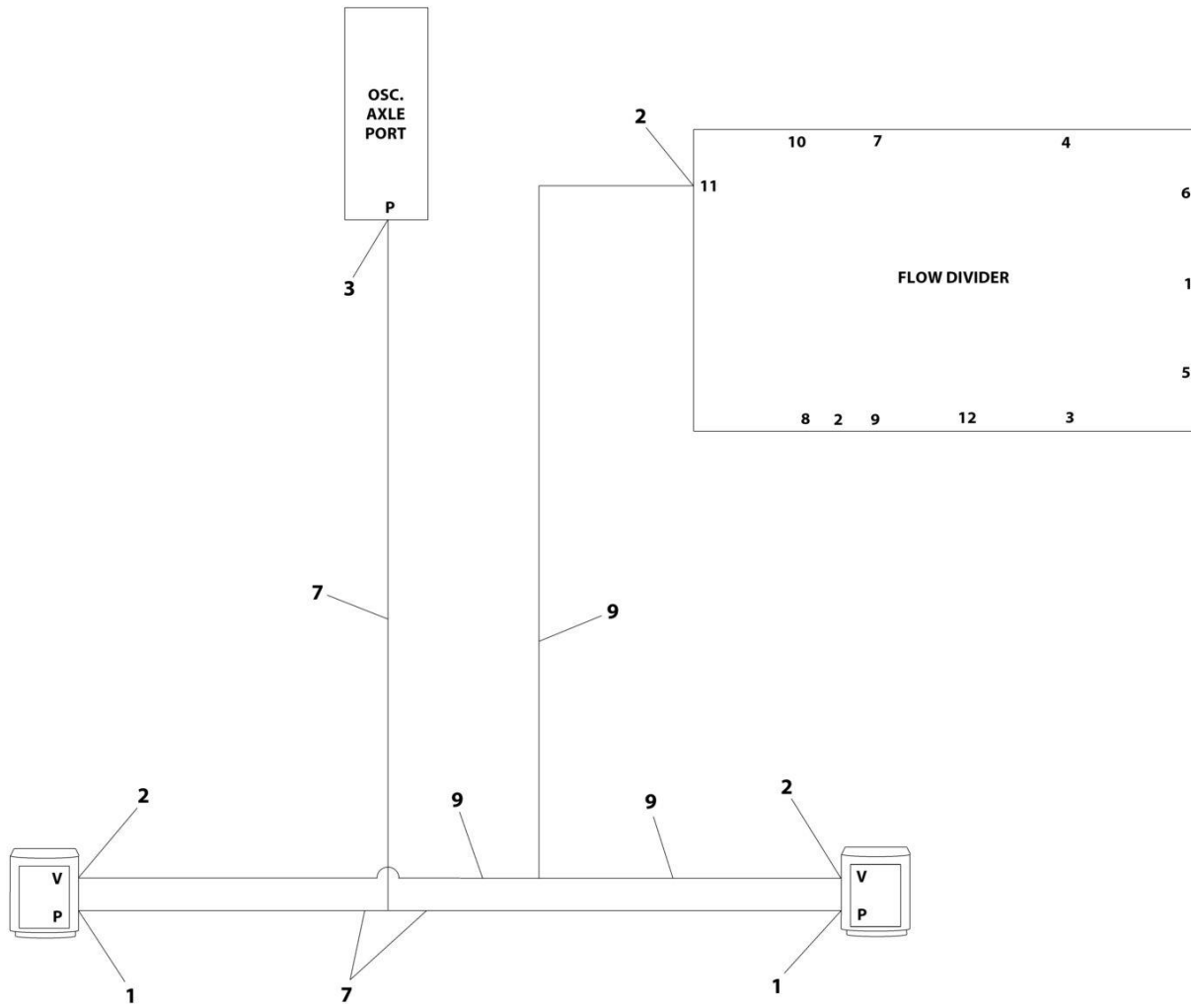




**SECTION 7 - HYDRAULIC**

# SECTION 7 - HYDRAULIC

## FIGURE 7-1. HYDRAULIC DIAGRAM - AXLE (OSCILLATING)



ART\_1001157400

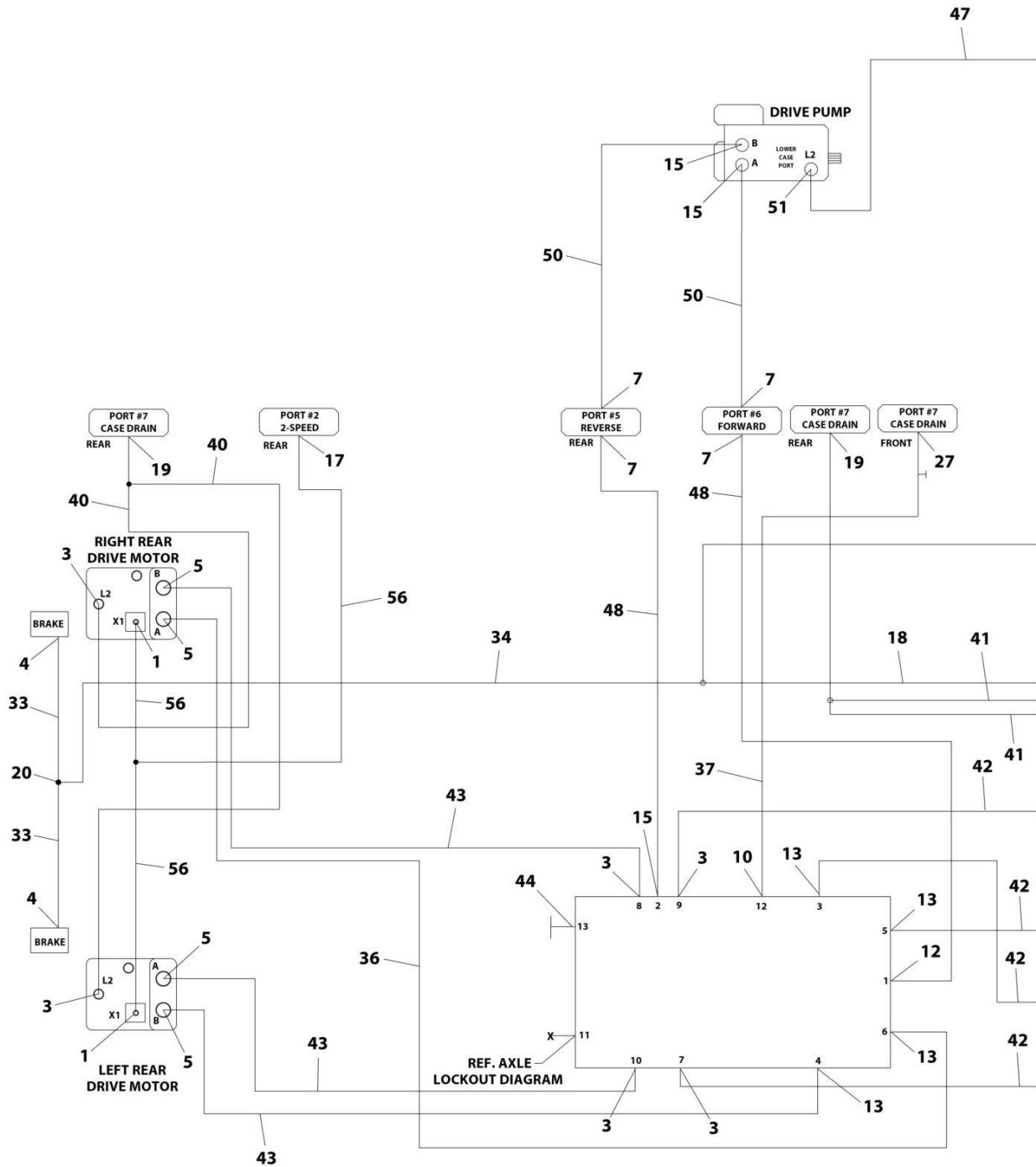
## SECTION 7 - HYDRAULIC

**FIGURE 7-1. HYDRAULIC DIAGRAM - AXLE (OSCILLATING)**

| ITEM | PART NUMBER | QTY | DESCRIPTION                    | REV |
|------|-------------|-----|--------------------------------|-----|
|      | 1001157400  | Ref | AXLE LOCKOUT HYDRAULIC DIAGRAM | F   |
| 1    | 2110404     | 2   | Fitting, Straight ORFS/ORB     |     |
| 2    | 2110606     | 3   | Fitting, Straight ORFS/ORB     |     |
| 3    | 2110408     | 1   | Fitting, Straight ORFS/ORB     |     |
| 7    | 1001198339  | 1   | Hose with Crimped Tee          |     |
| 9    | 1001198336  | 1   | Hose with Crimped Tee          |     |

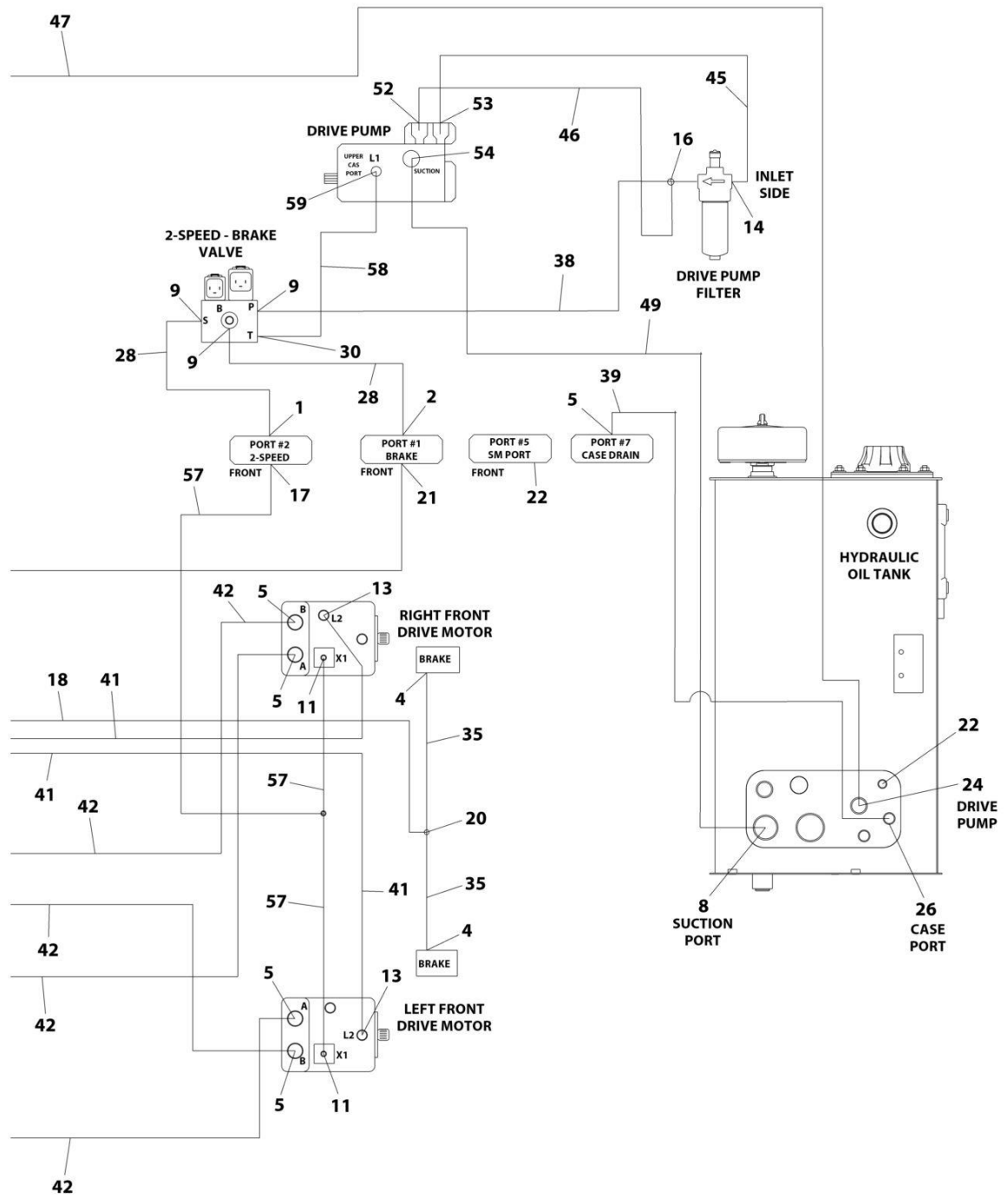
# SECTION 7 - HYDRAULIC

## FIGURE 7-2. HYDRAULIC DIAGRAM - DRIVE (4WD WITHOUT ARCTIC PACKAGE)



ART\_1001178219\_10F2

# SECTION 7 - HYDRAULIC



ART\_1001178219\_20F2

# SECTION 7 - HYDRAULIC

## FIGURE 7-2. HYDRAULIC DIAGRAM - DRIVE (4WD WITHOUT ARCTIC PACKAGE)

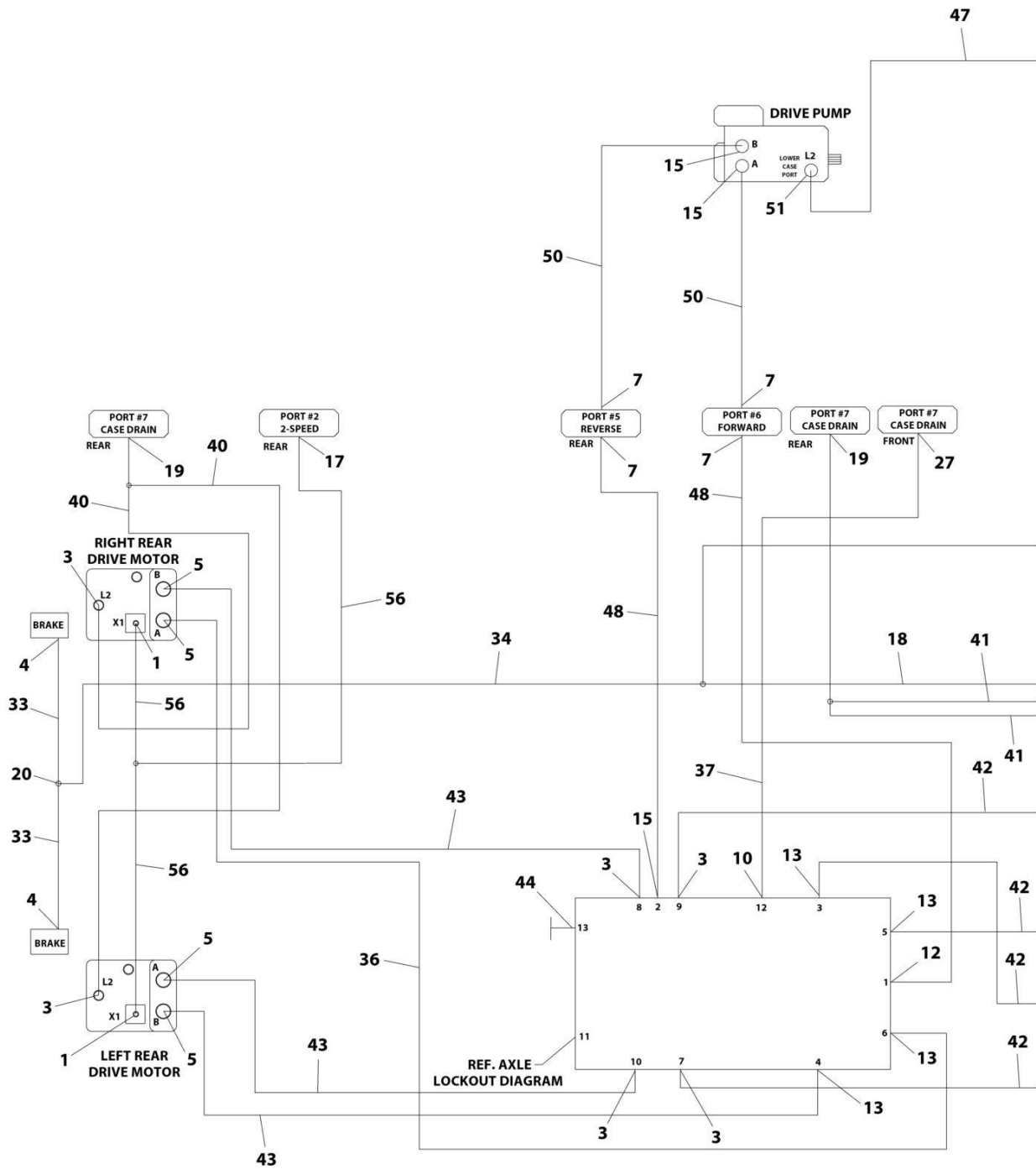
| ITEM | PART NUMBER | QTY | DESCRIPTION                     | REV |
|------|-------------|-----|---------------------------------|-----|
|      | 1001178219  | Ref | HYDRAULIC DIAGRAM - DRIVE (4WD) | D   |
| 1    | 2110406     | 3   | Fitting, Straight ORFS/ORB      |     |
| 2    | 2110408     | 1   | Fitting, Straight ORFS/ORB      |     |
| 3    | 2110808     | 6   | Fitting, Straight ORFS/ORB      |     |
| 4    | 2110404     | 4   | Fitting, Straight ORFS/ORB      |     |
| 5    | 2110812     | 9   | Fitting, Straight ORFS/ORB      |     |
| 7    | 2111616     | 4   | Fitting, Straight ORFS/ORB      |     |
| 8    | 2112020     | 1   | Fitting, Straight ORFS/ORB      |     |
| 9    | 2130404     | 3   | Fitting, 90 ORFS/ORB            |     |
| 10   | 2130604     | 1   | Fitting, 90 ORFS/ORB            |     |
| 11   | 2130406     | 2   | Fitting, 90 ORFS/ORB            |     |
| 12   | 2151616     | 1   | Fitting, 90 ORFS/ORB            |     |
| 13   | 2130808     | 6   | Fitting, 90 ORFS/ORB            |     |
| 14   | 2131012     | 1   | Fitting, 90 ORFS/ORB            |     |
| 15   | 2131616     | 3   | Fitting, 90 ORFS/ORB            |     |
| 16   | 1001198337  | 1   | Fitting, Tee ORFS/ORB-RUN       |     |
| 17   | 2150406     | 2   | Fitting, 45 ORFS/ORB            |     |
| 18   | 2753542     | 1   | Hose                            |     |
| 19   | 2170408     | 2   | Fitting, Tee ORFS/ORB/ORFS      |     |
| 20   | 2170504     | 2   | Fitting, Tee ORFS/ORFS/ORFS     |     |
| 21   | 1001198338  | 1   | Fitting, Tee ORFS/SORB/ORFS     |     |
| 22   | 2220237     | 2   | Fitting, Plug ORB               |     |
| 24   | 2111212     | 1   | Fitting, Straight ORFS/ORB      |     |
| 26   | 2110808     | 1   | Fitting, Straight ORFS/ORB      |     |
| 27   | 2130606     | 1   | Fitting, 90 ORFS/ORB            |     |
| 28   | 2753540     | 2   | Hose                            |     |
| 30   | 2170204     | 1   | Fitting, 90 ORFS/ORB            |     |
| 33   | 2754337     | 2   | Hose                            |     |
| 34   | 2753622     | 1   | Hose                            |     |
| 35   | 2754512     | 2   | Hose                            |     |
| 36   | 2754338     | 1   | Hose                            |     |
| 37   | 2753626     | 1   | Hose                            |     |
| 38   | 1001095307  | 1   | Hose                            |     |
| 39   | 2753685     | 1   | Hose                            |     |
| 40   | 2753686     | 2   | Hose                            |     |
| 41   | 2753628     | 2   | Hose                            |     |
| 42   | 2753970     | 4   | Hose                            |     |
| 43   | 2753971     | 3   | Hose                            |     |
| 44   | 2220238     | 1   | Plug                            |     |
| 45   | 2753768     | 1   | Hose                            |     |
| 46   | 1001095308  | 1   | Hose                            |     |
| 47   | 2753699     | 1   | Hose                            |     |
| 48   | 2753634     | 2   | Hose                            |     |
| 49   | 1001157866  | 1   | Hose                            |     |
| 50   | 2753667     | 2   | Hose                            |     |
| 51   | 2131212     | 1   | Fitting, 90 ORFS/ORB            |     |
| 52   | 2110810     | 1   | Fitting, Straight ORFS/ORB      |     |
| 53   | 2111016     | 1   | Fitting, Straight ORFS/ORB      |     |
| 54   | 2132016     | 1   | Fitting, 90 ORFS/ORB            |     |
| 56   | 1001198340  | 1   | Hose with Crimped Tee           |     |

## SECTION 7 - HYDRAULIC

| ITEM | PART NUMBER | QTY | DESCRIPTION           | REV |
|------|-------------|-----|-----------------------|-----|
| 57   | 1001198341  | 1   | Hose with Crimped Tee |     |
| 58   | 2753555     | 1   | Hose                  |     |
| 59   | 1001199396  | 1   | Fitting, 90 ORFS/SORB |     |

# SECTION 7 - HYDRAULIC

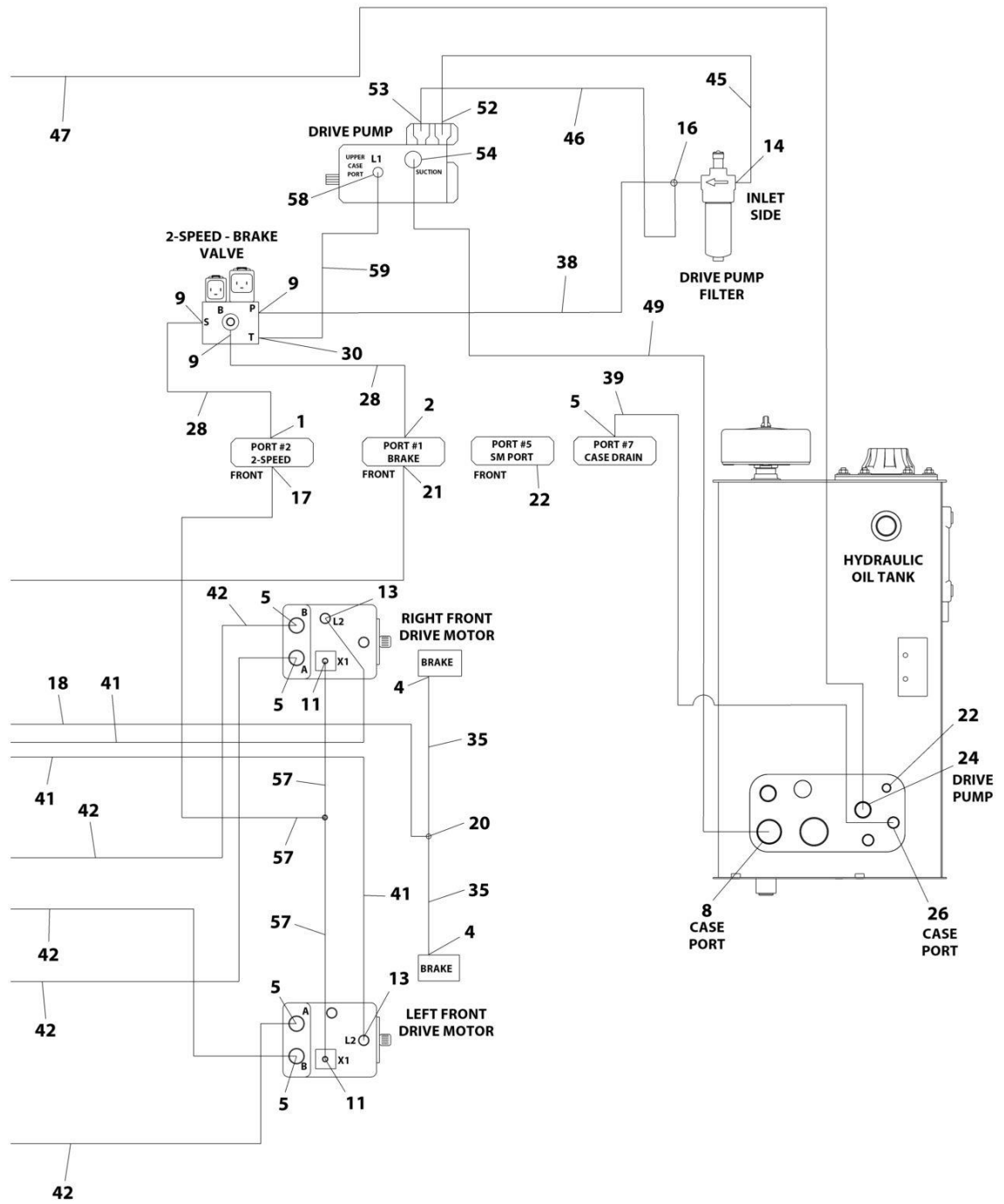
## FIGURE 7-3. HYDRAULIC DIAGRAM - DRIVE (4WD WITH ARCTIC PACKAGE)



ART\_1001178220\_10F2



# SECTION 7 - HYDRAULIC



ART\_1001178220\_2OF2

# SECTION 7 - HYDRAULIC

## FIGURE 7-3. HYDRAULIC DIAGRAM - DRIVE (4WD WITH ARCTIC PACKAGE)

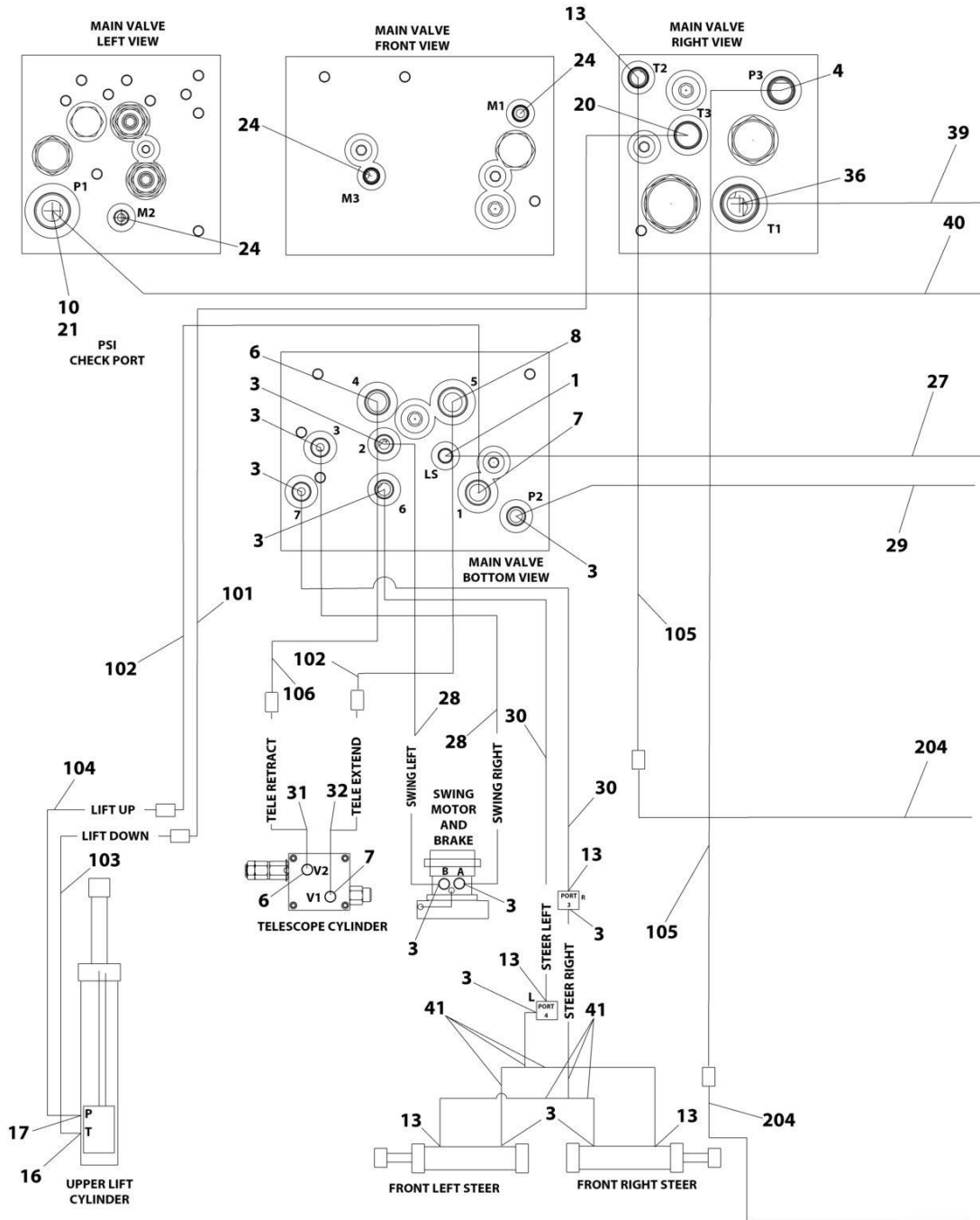
| ITEM | PART NUMBER | QTY | DESCRIPTION                     | REV |
|------|-------------|-----|---------------------------------|-----|
|      | 1001178220  | Ref | HYDRAULIC DIAGRAM - DRIVE (4WD) | E   |
| 1    | 2110406     | 3   | Fitting, Straight ORFS/ORB      |     |
| 2    | 2110408     | 1   | Fitting, Straight ORFS/ORB      |     |
| 3    | 2110808     | 6   | Fitting, Straight ORFS/ORB      |     |
| 4    | 2110404     | 4   | Fitting, Straight ORFS/ORB      |     |
| 5    | 2110812     | 9   | Fitting, Straight ORFS/ORB      |     |
| 7    | 2111616     | 4   | Fitting, Straight ORFS/ORB      |     |
| 8    | 2112020     | 1   | Fitting, Straight ORFS/ORB      |     |
| 9    | 2130404     | 3   | Fitting, 90 ORFS/ORB            |     |
| 10   | 2130604     | 1   | Fitting, 90 ORFS/ORB            |     |
| 11   | 2130406     | 2   | Fitting, 90 ORFS/ORB            |     |
| 12   | 2151616     | 1   | Fitting, 90 ORFS/ORB            |     |
| 13   | 2130808     | 6   | Fitting, 90 ORFS/ORB            |     |
| 14   | 2131012     | 1   | Fitting, 90 ORFS/ORB            |     |
| 15   | 2131616     | 3   | Fitting, 90 ORFS/ORB            |     |
| 16   | 1001198337  | 1   | Fitting, Tee ORFS/ORB-RUN       |     |
| 17   | 2150406     | 2   | Fitting, 45 ORFS/ORB            |     |
| 18   | 2753542     | 1   | Hose                            |     |
| 19   | 2170408     | 2   | Fitting, Tee ORFS/ORB/ORFS      |     |
| 20   | 2170504     | 2   | Fitting, Tee ORFS/ORFS/ORFS     |     |
| 21   | 1001198338  | 1   | Fitting, Tee ORFS/SORB/ORFS     |     |
| 22   | 2220237     | 2   | Fitting, Plug ORB               |     |
| 24   | 2111212     | 1   | Fitting, Straight ORFS/ORB      |     |
| 26   | 2110808     | 1   | Fitting, Straight ORFS/ORB      |     |
| 27   | 2130606     | 1   | Fitting, 90 ORFS/ORB            |     |
| 28   | 2753540     | 2   | Hose                            |     |
| 30   | 2130204     | 1   | Fitting, 90 ORFS/ORB            |     |
| 33   | 2754337     | 2   | Hose                            |     |
| 34   | 2753622     | 1   | Hose                            |     |
| 35   | 1001106957  | 2   | Hose                            |     |
| 36   | 2754338     | 1   | Hose                            |     |
| 37   | 2753626     | 1   | Hose                            |     |
| 38   | 1001095307  | 1   | Hose                            |     |
| 39   | 2753685     | 1   | Hose                            |     |
| 40   | 2753686     | 2   | Hose                            |     |
| 41   | 2754720     | 2   | Hose                            |     |
| 42   | 2754743     | 4   | Hose                            |     |
| 43   | 2753971     | 3   | Hose                            |     |
| 44   | 2220238     | 1   | Hose                            |     |
| 45   | 2753768     | 1   | Hose                            |     |
| 46   | 1001095308  | 1   | Hose                            |     |
| 47   | 2753699     | 1   | Hose                            |     |
| 48   | 2753634     | 2   | Hose                            |     |
| 49   | 1001157866  | 1   | Hose                            |     |
| 50   | 2753667     | 2   | Hose                            |     |
| 51   | 2131212     | 1   | Fitting, 90 ORFS/ORB            |     |
| 52   | 2111016     | 1   | Fitting, Straight ORFS/ORB      |     |
| 53   | 2110810     | 1   | Fitting, Straight ORFS/ORB      |     |
| 54   | 2132016     | 1   | Fitting, 90 ORFS/ORB            |     |
| 56   | 1001198340  | 1   | Hose with Crimped Tee           |     |

## SECTION 7 - HYDRAULIC

| ITEM | PART NUMBER | QTY | DESCRIPTION           | REV |
|------|-------------|-----|-----------------------|-----|
| 57   | 1001204269  | 1   | Hose with Crimped Tee |     |
| 58   | 1001199396  | 1   | Fitting, 90 ORFS/SORB |     |
| 59   | 2753555     | 1   | Hose                  |     |

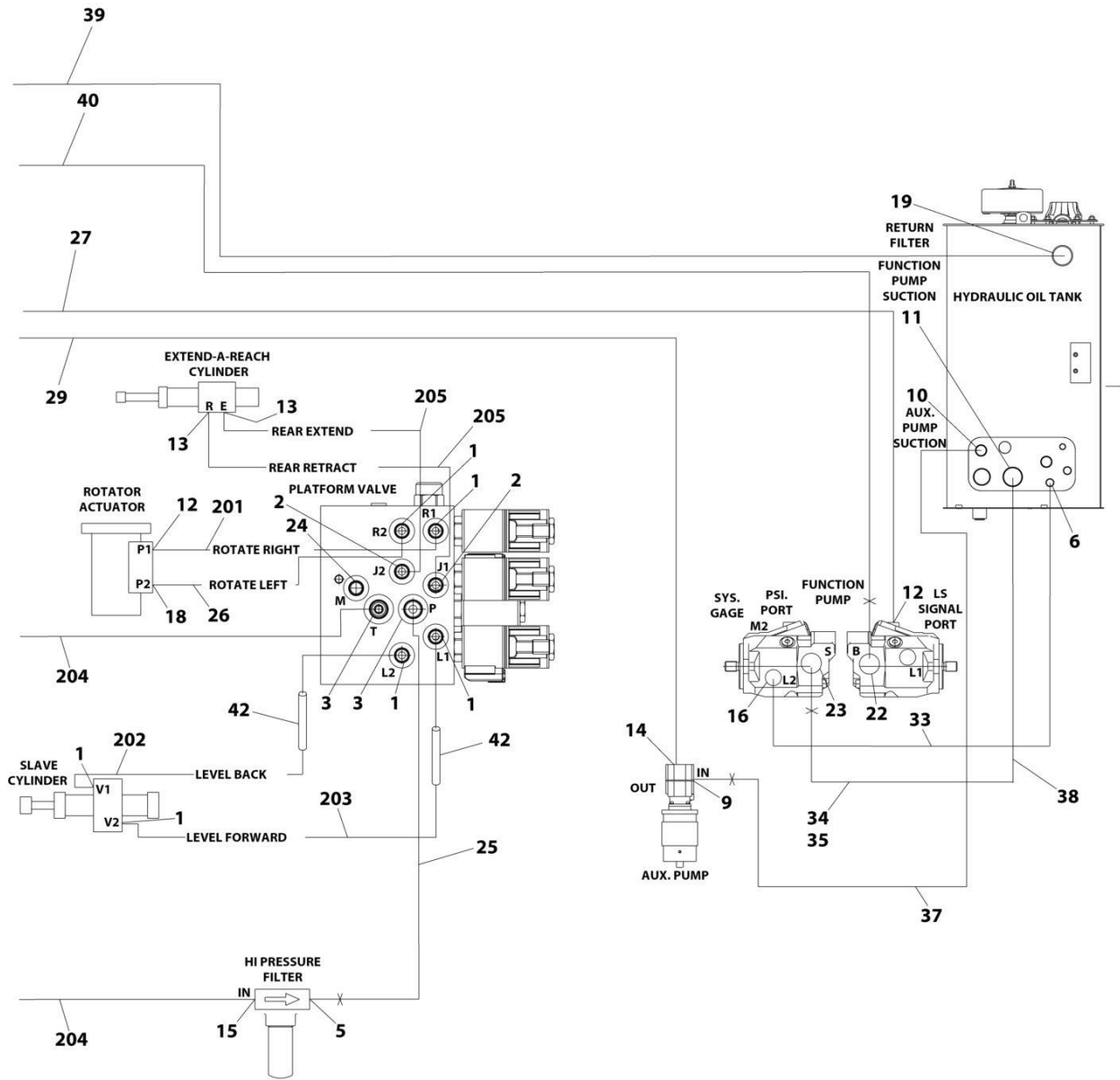
# SECTION 7 - HYDRAULIC

FIGURE 7-4. HYDRAULIC DIAGRAM - STANDARD (860SJ HC3 WITHOUT TOW BAR PACKAGE)



ART\_1001257558\_10F2

# SECTION 7 - HYDRAULIC



ART\_1001257558\_2OF2

## SECTION 7 - HYDRAULIC

FIGURE 7-4. HYDRAULIC DIAGRAM - STANDARD (860SJ HC3WITHOUT TOW BAR PACKAGE)

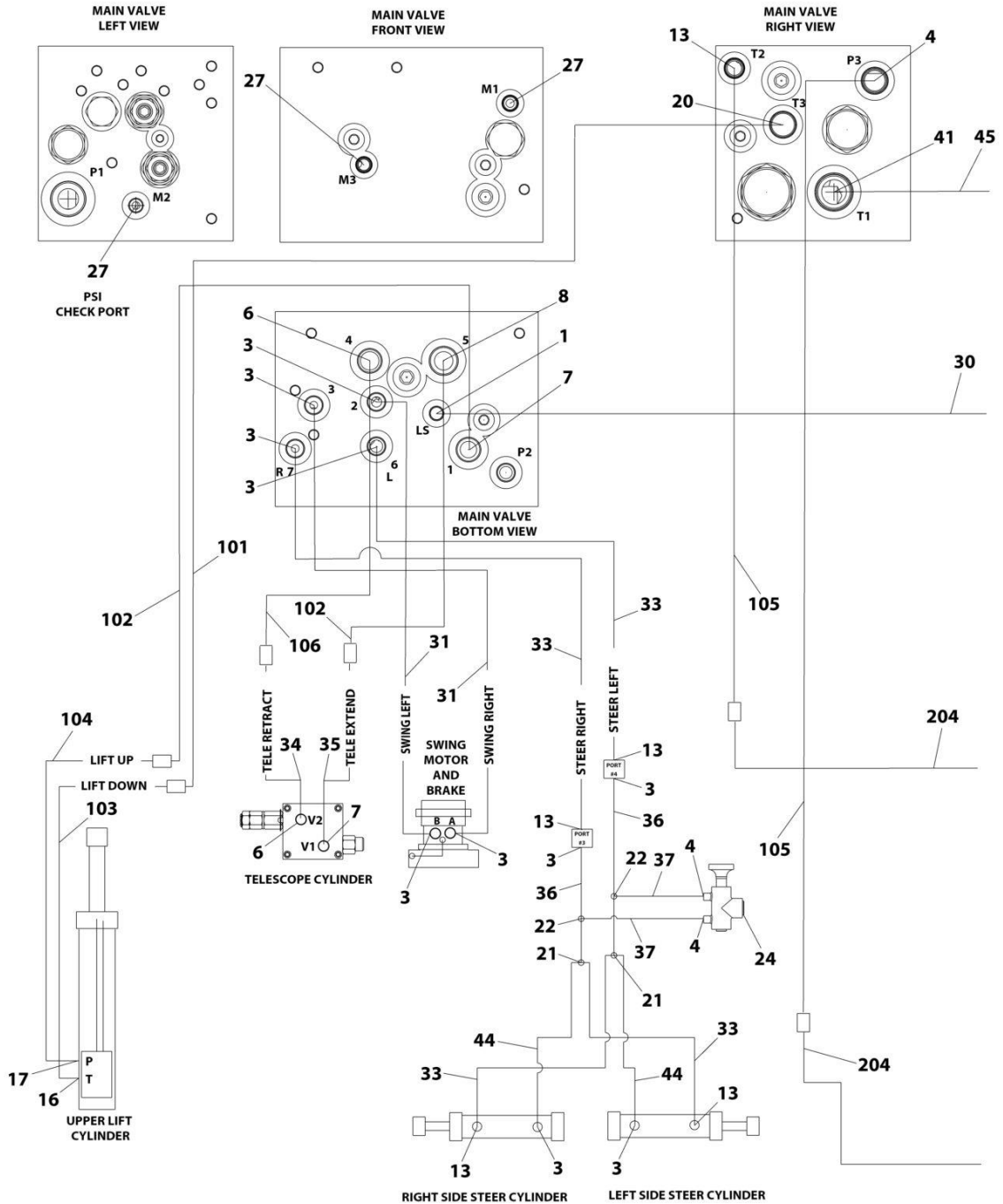
| ITEM | PART NUMBER | QTY | DESCRIPTION                | REV |
|------|-------------|-----|----------------------------|-----|
|      | 1001257558  | Ref | STANDARD HYDRAULIC DIAGRAM | D   |
| 1    | 2110404     | 7   | Fitting, Straight ORFS/ORB |     |
| 2    | 2110604     | 2   | Fitting, Straight ORFS/ORB |     |
| 3    | 2110606     | 13  | Fitting, Straight ORFS/ORB |     |
| 4    | 2110608     | 1   | Fitting, Straight ORFS/ORB |     |
| 5    | 2110612     | 1   | Fitting, Straight ORFS/ORB |     |
| 6    | 2110808     | 3   | Fitting, Straight ORFS/ORB |     |
| 7    | 2111008     | 2   | Fitting, Straight ORFS/ORB |     |
| 8    | 2111010     | 1   | Fitting, Straight ORFS/ORB |     |
| 9    | 2111208     | 1   | Fitting, Straight ORFS/ORB |     |
| 10   | 2111212     | 2   | Fitting, Straight ORFS/ORB |     |
| 11   | 2112424     | 1   | Fitting, Straight ORFS/ORB |     |
| 12   | 2130404     | 2   | Fitting, 90 ORFS/ORB       |     |
| 13   | 2130606     | 7   | Fitting, 90 ORFS/ORB       |     |
| 14   | 2130608     | 1   | Fitting, 90 ORFS/ORB       |     |
| 15   | 2130612     | 1   | Fitting, 90 ORFS/ORB       |     |
| 16   | 2130810     | 2   | Fitting, 90 ORFS/ORB       |     |
| 17   | 2131010     | 1   | Fitting, 90 ORFS/ORB       |     |
| 18   | 2150404     | 1   | Fitting, 45 ORFS/ORB       |     |
| 19   | 2151616     | 1   | Fitting, 45 ORFS/ORB       |     |
| 20   | 2170208     | 1   | Fitting, 90 ORFS/ORB       |     |
| 21   | 2172112     | 1   | Fitting, 90 ORFS/FSORFS    |     |
| 22   | 2220478     | 1   | Split Flange Kit           |     |
| 23   | 2220737     | 1   | Split Flange Kit           |     |
| 24   | 2221086     | 4   | Fitting, Pressure Check    |     |
| 25   | 2717059     | 1   | Hose                       |     |
| 26   | 2753545     | 1   | Hose                       |     |
| 27   | 2753622     | 1   | Hose                       |     |
| 28   | 2753653     | 2   | Hose                       |     |
| 29   | 2753654     | 1   | Hose                       |     |
| 30   | 2753656     | 2   | Hose                       |     |
| 31   | 2753681     | 1   | Hose                       |     |
| 32   | 2753683     | 1   | Hose                       |     |
| 33   | 1001263922  | 1   | Hose                       |     |
| 34   | 4061032     | 1   | Hose, Guard                |     |
| 35   | 4240018     | 3   | Tie-Strap                  |     |
| 36   | 88662327    | 1   | Fitting, Straight ORFS/ORB |     |
| 37   | 1001111968  | 1   | Hose                       |     |
| 38   | 1001157851  | 1   | Hose                       |     |
| 39   | 1001177226  | 1   | Hose                       |     |
| 40   | 1001181894  | 1   | Hose                       |     |
| 41   | 1001198333  | 2   | Hose                       |     |
| 42   | 1001257430  | 1   | Cover, Hose                |     |
| 100  | 2902461     | 1   | Hose Kit (Not Shown)       |     |
| 101  | 2753670     | 1   | Hose                       |     |
| 102  | 2753671     | 1   | Hose                       |     |
| 103  | 2753682     | 1   | Hose                       |     |
| 104  | 2753684     | 1   | Hose                       |     |
| 105  | 1001167194  | 1   | Hose                       |     |
| 106  | 1001167196  | 1   | Hose                       |     |

## SECTION 7 - HYDRAULIC

| ITEM | PART NUMBER | QTY | DESCRIPTION          | REV |
|------|-------------|-----|----------------------|-----|
| 200  | 1001259338  | 1   | Hose Kit (Not Shown) |     |
| 201  | 2753674     | 1   | Hose                 |     |
| 202  | 2753677     | 1   | Hose                 |     |
| 203  | 2753678     | 1   | Hose                 |     |
| 204  | 1001257509  | 1   | Hose                 |     |
| 205  | 1001257510  | 1   | Hose                 |     |

# SECTION 7 - HYDRAULIC

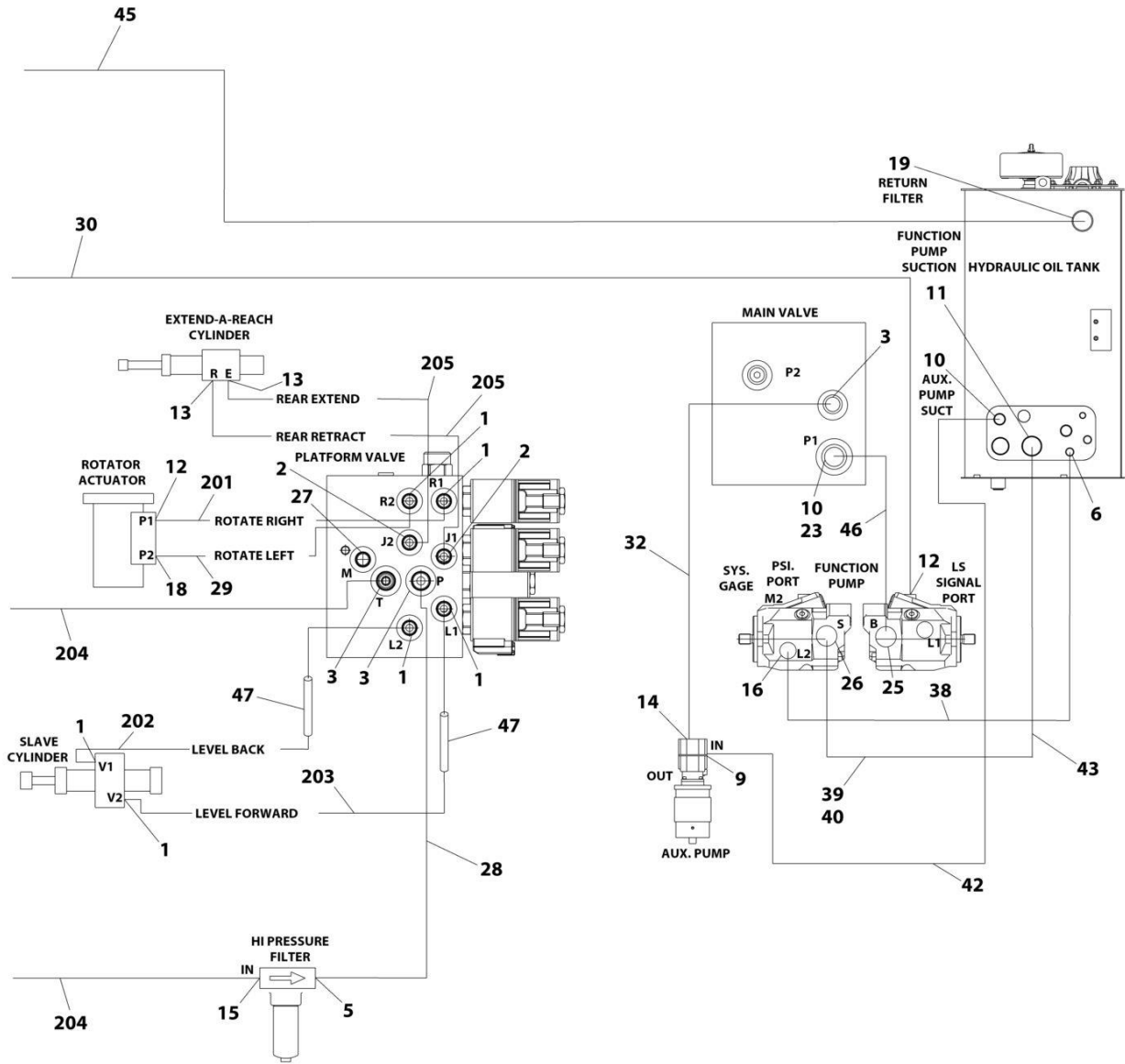
## FIGURE 7-5. HYDRAULIC DIAGRAM - STANDARD (860SJ HC3 WITH TOW BAR PACKAGE)



ART\_1001257559\_10F2



# SECTION 7 - HYDRAULIC



ART\_1001257559\_20F2

## SECTION 7 - HYDRAULIC

FIGURE 7-5. HYDRAULIC DIAGRAM - STANDARD (860SJ HC3 WITH TOW BAR PACKAGE)

| ITEM | PART NUMBER | QTY | DESCRIPTION                   | REV |
|------|-------------|-----|-------------------------------|-----|
|      | 1001257559  | Ref | STANDARD HYDRAULIC DIAGRAM    | D   |
| 1    | 2110404     | 7   | Fitting, Straight ORFS/ORB    |     |
| 2    | 2110604     | 2   | Fitting, Straight ORFS/ORB    |     |
| 3    | 2110606     | 13  | Fitting, Straight ORFS/ORB    |     |
| 4    | 2110608     | 3   | Fitting, Straight ORFS/ORB    |     |
| 5    | 2110612     | 1   | Fitting, Straight ORFS/ORB    |     |
| 6    | 2110808     | 3   | Fitting, Straight ORFS/ORB    |     |
| 7    | 2111008     | 2   | Fitting, Straight ORFS/ORB    |     |
| 8    | 2111010     | 1   | Fitting, Straight ORFS/ORB    |     |
| 9    | 2111208     | 1   | Fitting, Straight ORFS/ORB    |     |
| 10   | 2111212     | 2   | Fitting, Straight ORFS/ORB    |     |
| 11   | 2112424     | 1   | Fitting, Straight ORFS/ORB    |     |
| 12   | 2130404     | 2   | Fitting, 90 ORFS/ORB          |     |
| 13   | 2130606     | 7   | Fitting, 90 ORFS/ORB          |     |
| 14   | 2130608     | 1   | Fitting, 90 ORFS/ORB          |     |
| 15   | 2130612     | 1   | Fitting, 90 ORFS/ORB          |     |
| 16   | 2130810     | 2   | Fitting, 90 ORFS/ORB          |     |
| 17   | 2131010     | 1   | Fitting, 90 ORFS/ORB          |     |
| 18   | 2150404     | 1   | Fitting, 45 ORFS/ORB          |     |
| 19   | 2151616     | 1   | Fitting, 45 ORFS/ORB          |     |
| 20   | 2170208     | 1   | Fitting, 90 ORFS/ORB          |     |
| 21   | 2170506     | 2   | Fitting, Tee ORFS/ORFS/ORFS   |     |
| 22   | 2170706     | 2   | Fitting, Tee ORFS/FSORFS/ORFS |     |
| 23   | 2172112     | 1   | Fitting, 90 ORFS/FSORFS       |     |
| 24   | 2220238     | 1   | Plug                          |     |
| 25   | 2220478     | 1   | Split Flange Kit              |     |
| 26   | 2220737     | 1   | Split Flange Kit              |     |
| 27   | 2221086     | 4   | Fitting, Pressure Check       |     |
| 28   | 2717059     | 1   | Hose                          |     |
| 29   | 2753545     | 1   | Hose                          |     |
| 30   | 2753622     | 1   | Hose                          |     |
| 31   | 2753653     | 2   | Hose                          |     |
| 32   | 2753654     | 1   | Hose                          |     |
| 33   | 2753656     | 4   | Hose                          |     |
| 34   | 2753681     | 1   | Hose                          |     |
| 35   | 2753683     | 1   | Hose                          |     |
| 36   | 2753732     | 2   | Hose                          |     |
| 37   | 2753879     | 2   | Hose                          |     |
| 38   | 1001263922  | 1   | Hose                          |     |
| 39   | 4061032     | 1   | Hose, Guard                   |     |
| 40   | 4240018     | 3   | Tie-Strap                     |     |
| 41   | 88662327    | 1   | Fitting, Straight ORFS/ORB    |     |
| 42   | 1001111968  | 1   | Hose                          |     |
| 43   | 1001157851  | 1   | Hose                          |     |
| 44   | 1001159340  | 2   | Hose                          |     |
| 45   | 1001177226  | 1   | Hose                          |     |
| 46   | 1001181894  | 1   | Hose                          |     |
| 47   | 1001257430  | 1   | Cover, Hose                   |     |
| 100  | 2902461     | 1   | Hose Kit (Not Shown)          |     |
| 101  | 2753670     | 1   | Hose                          |     |

## SECTION 7 - HYDRAULIC

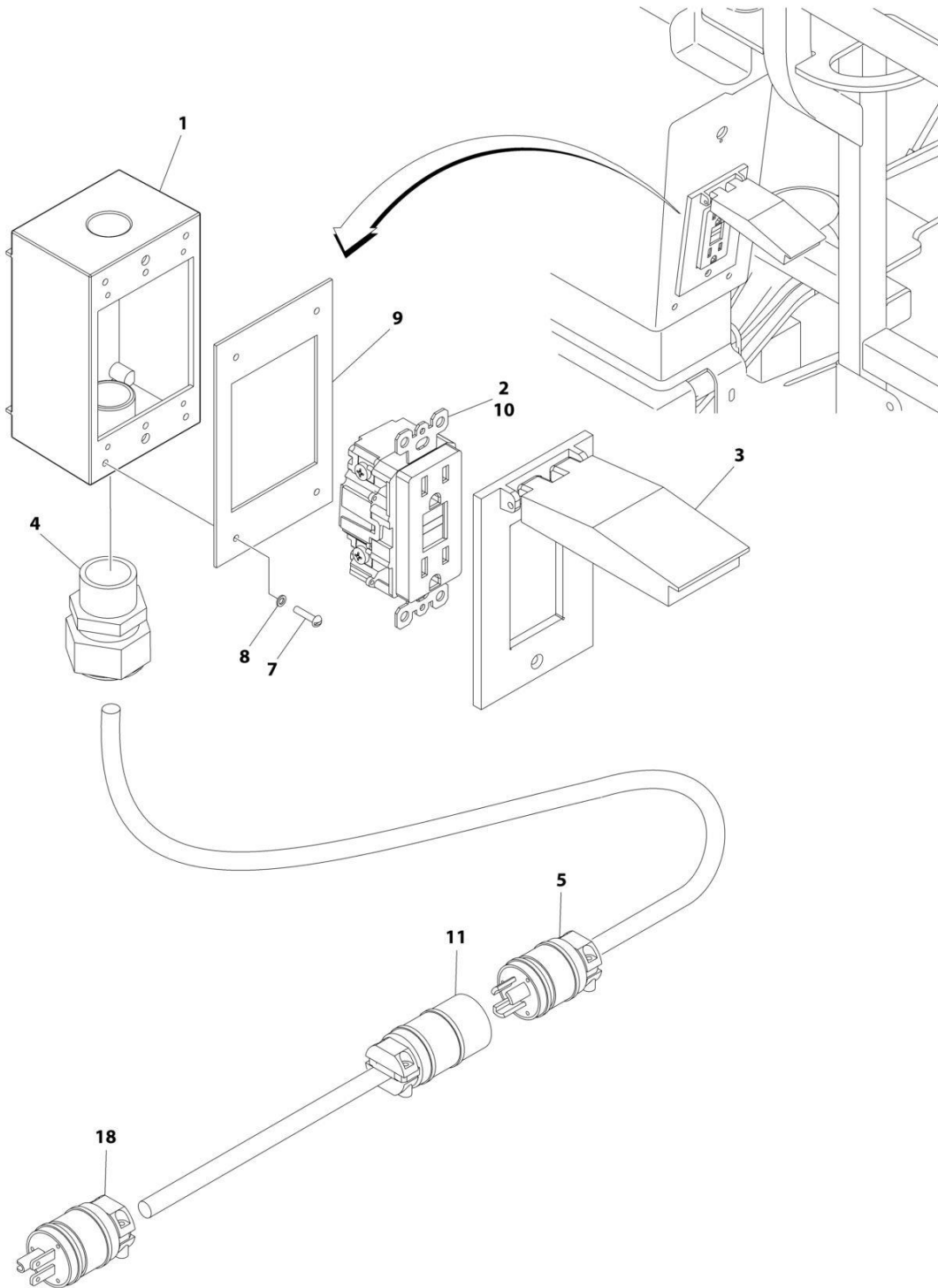
| ITEM | PART NUMBER | QTY | DESCRIPTION          | REV |
|------|-------------|-----|----------------------|-----|
| 102  | 2753671     | 1   | Hose                 |     |
| 103  | 2753682     | 1   | Hose                 |     |
| 104  | 2753684     | 1   | Hose                 |     |
| 105  | 1001167194  | 1   | Hose                 |     |
| 106  | 1001167196  | 1   | Hose                 |     |
| 200  | 1001259338  | 1   | Hose Kit (Not Shown) |     |
| 201  | 2753674     | 1   | Hose                 |     |
| 202  | 2753677     | 1   | Hose                 |     |
| 203  | 2753678     | 1   | Hose                 |     |
| 204  | 1001257509  | 1   | Hose                 |     |
| 205  | 1001257510  | 1   | Hose                 |     |



**SECTION 8 - ELECTRICAL**

# SECTION 8 - ELECTRICAL

FIGURE 8-1. AC BOX AT PLATFORM INSTALLATION - 110V GFI RECEPTACLE (ALL SPECS EXCEPT AUSTRALIAN & CE SPECS)



ART\_0272259

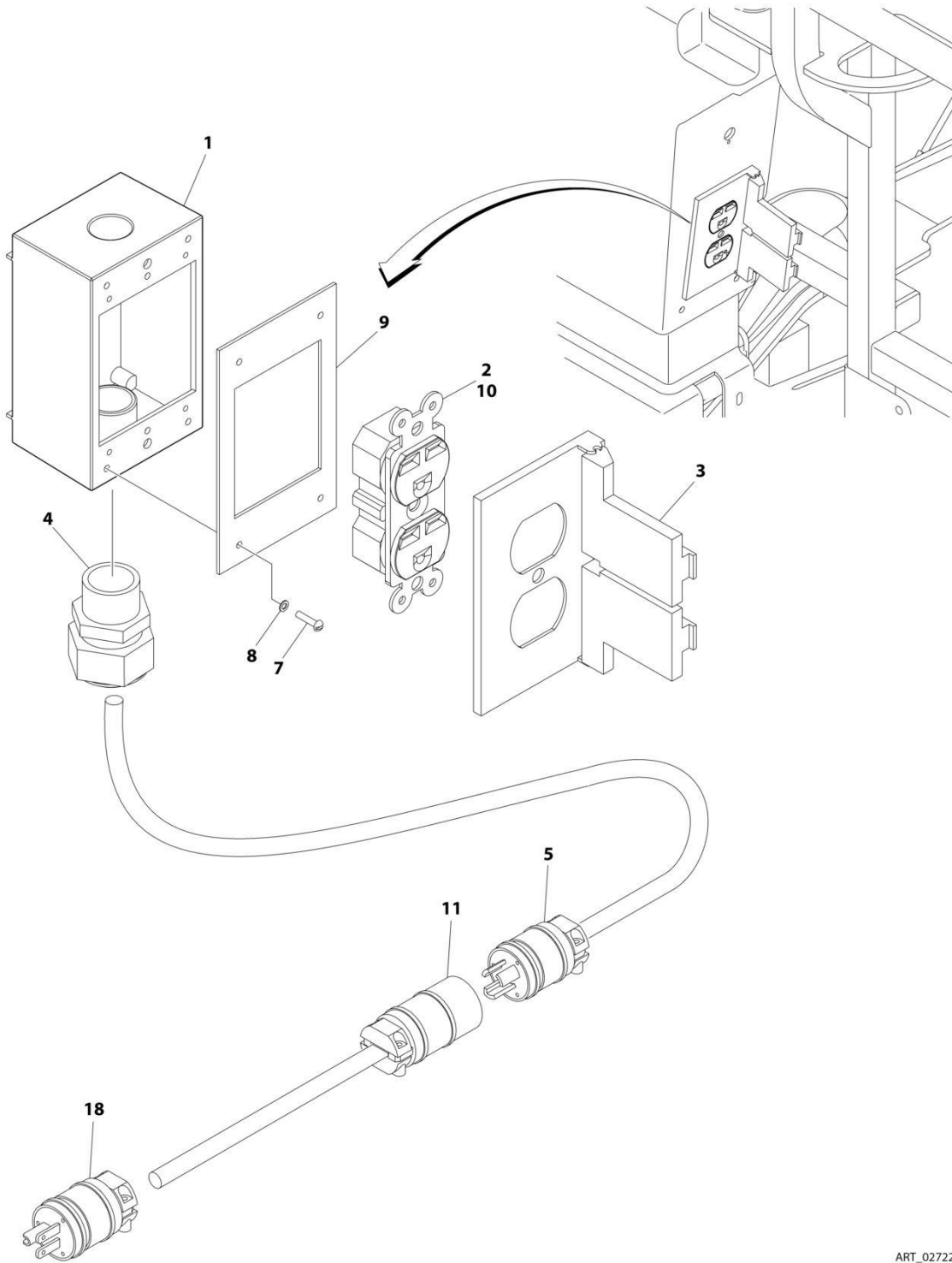
## SECTION 8 - ELECTRICAL

**FIGURE 8-1. AC BOX AT PLATFORM INSTALLATION - 110V GFI RECEPTACLE (ALL SPECS EXCEPT AUSTRALIAN & CE SPECS)**

| ITEM | PART NUMBER | QTY | DESCRIPTION   | REV |
|------|-------------|-----|---|-----|
|      | 0272259     | Ref | AC BOX AT PLATFORM INSTALLATION - 110V GFI RECEPTACLE | C   |
| 1    | 0860038     | 1   | Box, Switch   |     |
| 2    | 4460346     | 1   | Receptacle  |     |
| 3    | 1001110873  | 1   | Shield, Cover   |     |
| 4    | 4460051     | 1   | Connector, Strain Relief                              |     |
| 5    | 1001213584  | 1   | Plug, Male  |     |
| 7    | 3910610     | 4   | Screw #6 x 5/8  |     |
| 8    | 4760600     | 4   | Washer #6   |     |
| 9    | 3960422     | 1   | Gasket  |     |
| 10   | 4460315     | 3   | Terminal, Spade                                       |     |
| 11   | 1001213585  | 1   | Receptacle, Female                                    |     |
| 18   | 4460205     | 1   | Plug, Male  |     |

# SECTION 8 - ELECTRICAL

FIGURE 8-2. AC BOX AT PLATFORM INSTALLATION - 220V (ANSI, CSA & JAPANESE SPECS)



ART\_0272260



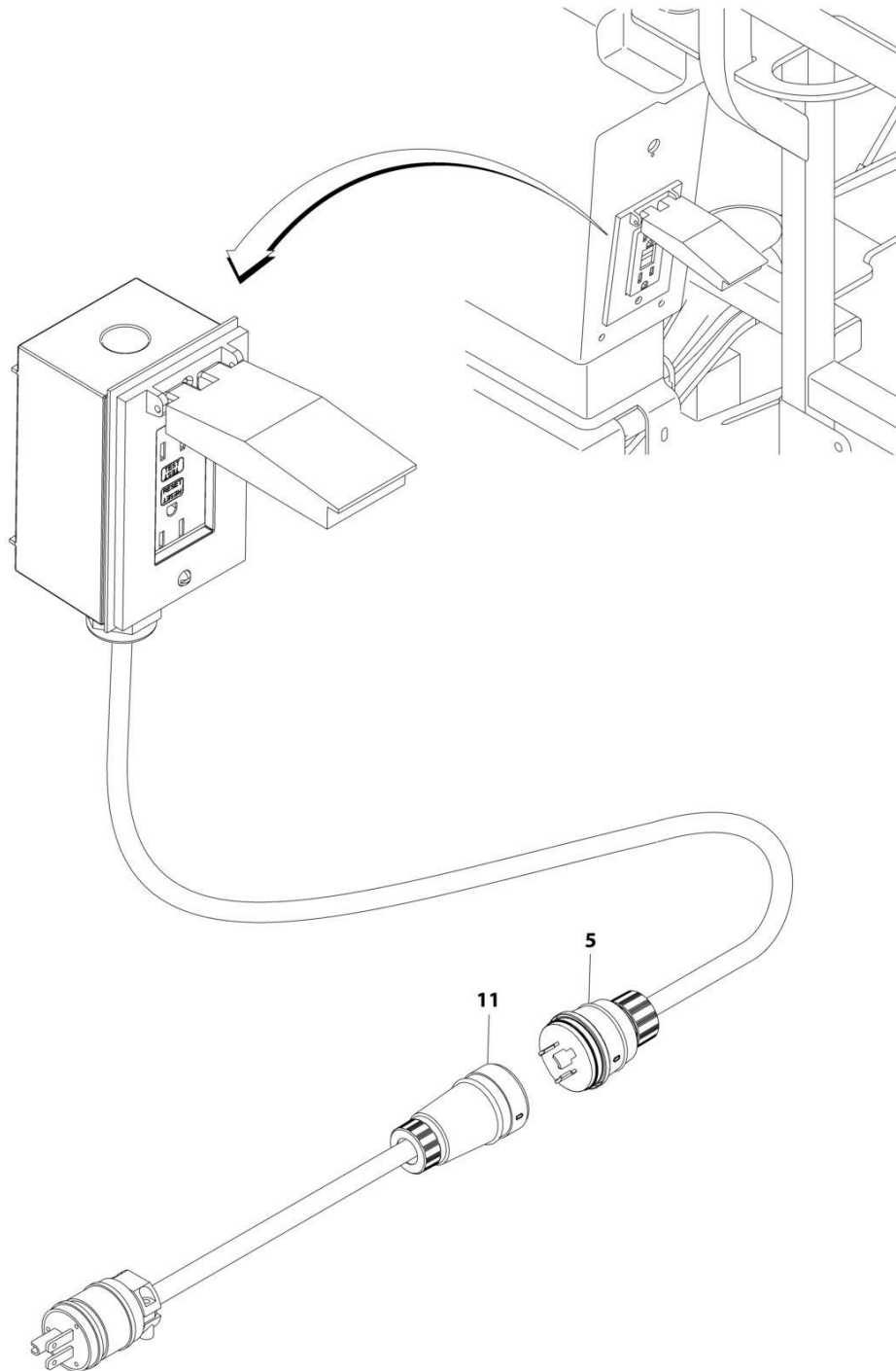
## SECTION 8 - ELECTRICAL

**FIGURE 8-2. AC BOX AT PLATFORM INSTALLATION - 220V (ANSI, CSA & JAPANESE SPECS)**

| ITEM | PART NUMBER | QTY | DESCRIPTION                            | REV |
|------|-------------|-----|--|-----|
|      | 0272260     | Ref | AC BOX AT PLATFORM INSTALLATION - 220V | C   |
| 1    | 0860038     | 1   | Box, Switch                            |     |
| 2    | 4460125     | 1   | Receptacle                             |     |
| 3    | 4060092     | 1   | Shield                                 |     |
| 4    | 4460051     | 1   | Connector, Strain Relief               |     |
| 5    | 1001213584  | 2   | Plug, Male                             |     |
| 7    | 3910610     | 4   | Screw #6 x 5/8                         |     |
| 8    | 4760600     | 4   | Washer #6                              |     |
| 9    | 3960422     | 1   | Gasket                                 |     |
| 10   | 4460315     | 1   | Terminal, Spade                        |     |
| 11   | 1001213585  | 1   | Receptacle, Female                     |     |
| 18   | 4460233     | 1   | Plug, Male                             |     |

## SECTION 8 - ELECTRICAL

**FIGURE 8-3. AC BOX AT PLATFORM MID-BOOM PLUG INSTALLATION (WITHOUT 7500W SKYPOWER GENERATOR) (ANSI EXPORT, AUSTRALIAN & CE SPECS)**



ART\_0256202

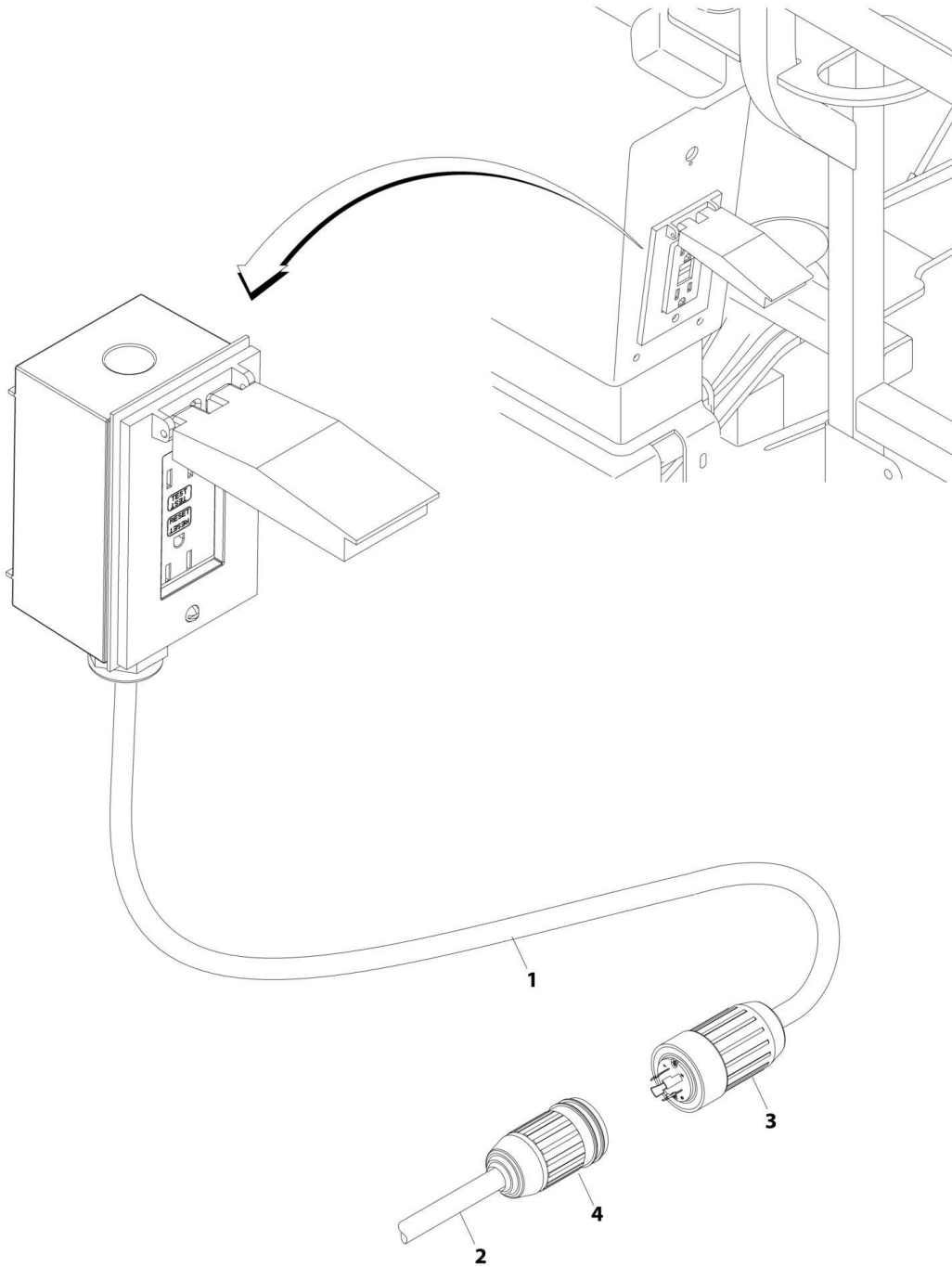
## SECTION 8 - ELECTRICAL

**FIGURE 8-3. AC BOX AT PLATFORM MID-BOOM PLUG INSTALLATION (WITHOUT 7500W SKYPOWER GENERATOR) (ANSI EXPORT, AUSTRALIAN & CE SPECS)**

| ITEM | PART NUMBER | QTY | DESCRIPTION                                   | REV |
|------|-------------|-----|---|-----|
|      | 0256202     | Ref | AC BOX AT PLATFORM MID-BOOM PLUG INSTALLATION | D   |
| 5    | 1001213584  | 1   | Plug  |     |
| 11   | 1001213585  | 1   | Receptacle                                    |     |

## SECTION 8 - ELECTRICAL

FIGURE 8-4. AC BOX AT PLATFORM MID-BOOM PLUG INSTALLATION (WITHOUT GENERATOR)  
(CHINA SPECS)



ART\_1001243561

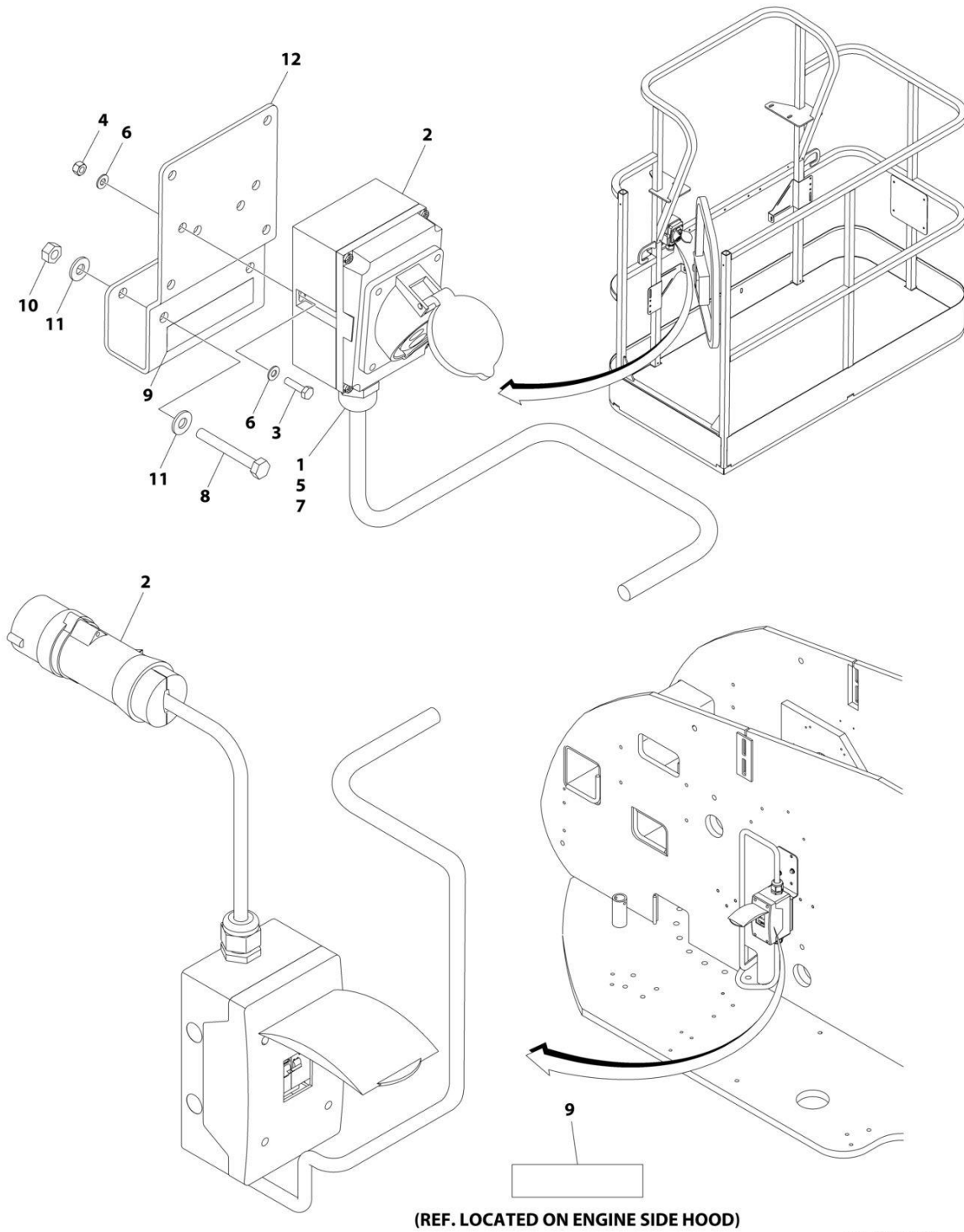
## SECTION 8 - ELECTRICAL

**FIGURE 8-4. AC BOX AT PLATFORM MID-BOOM PLUG INSTALLATION (WITHOUT GENERATOR)  
(CHINA SPECS)**

| ITEM | PART NUMBER | QTY | DESCRIPTION                                   | REV |
|------|-------------|-----|---|-----|
|      | 1001243561  | Ref | AC BOX AT PLATFORM MID-BOOM PLUG INSTALLATION | A   |
| 1    | 4922874     | 1   | Cable, Electrical 10/3                        |     |
| 2    | 4922877     | 1   | Cable, Electrical 10/3                        |     |
| 3    | 1001213584  | 1   | Plug  |     |
| 4    | 1001213585  | 1   | Receptacle                                    |     |

# SECTION 8 - ELECTRICAL

FIGURE 8-5. AC BOX AT PLATFORM INSTALLATION - 110V IEC 60309 YELLOW WITHOUT 2500W GENERATOR (CE SPECS)



ART\_1001091969

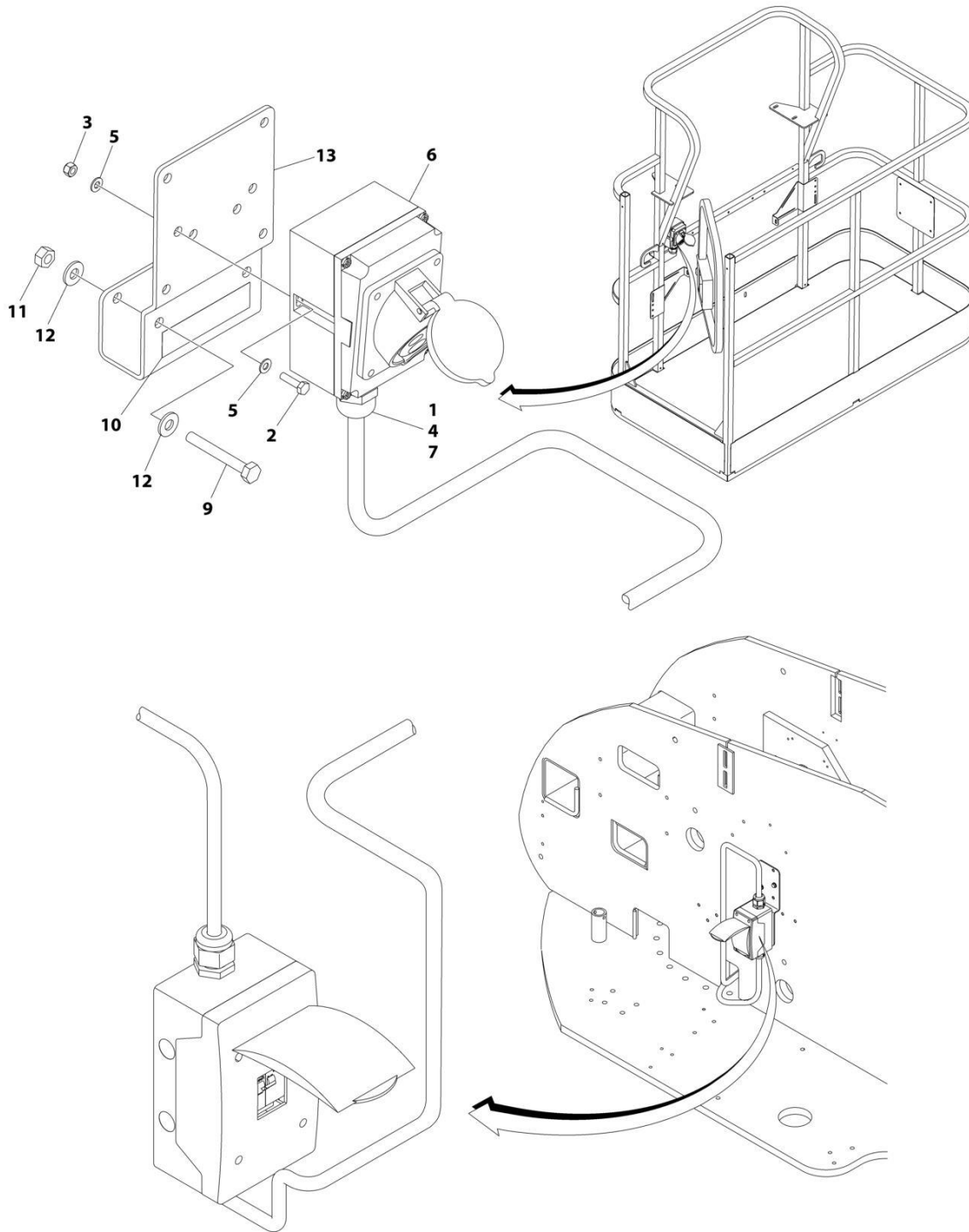
## SECTION 8 - ELECTRICAL

**FIGURE 8-5. AC BOX AT PLATFORM INSTALLATION - 110V IEC 60309 YELLOW WITHOUT 2500W GENERATOR (CE SPECS)**

| ITEM | PART NUMBER | QTY | DESCRIPTION   | REV |
|------|-------------|-----|---|-----|
|      | 1001091969  | Ref | AC BOX AT PLATFORM INSTALLATION - 110V IEC YELLOW           | D   |
| 1    | 0100020     | AR  | Sealant, Pipe   |     |
| 2    | 0275216     | 1   | Receptacle Box Kit (See Separate Breakdown in this Section) |     |
| 3    | 0700408     | 2   | Bolt M4 x 16  |     |
| 4    | 3290405     | 2   | Nut M4  |     |
| 5    | 1001101196  | 1   | Adapter   |     |
| 6    | 4811400     | 4   | Washer M4   |     |
| 7    | 1001101191  | 1   | Connector, Strain Relief                                    |     |
| 8    | 0641416     | 2   | Bolt 1/4 x 2  |     |
| 9    | 1705325     | 2   | Decal - 110V  |     |
| 10   | 3311405     | 2   | Nut 1/4   |     |
| 11   | 4711400     | 4   | Washer 1/4  |     |
| 12   | 1001193018  | 1   | Bracket   |     |

# SECTION 8 - ELECTRICAL

FIGURE 8-6. AC BOX AT PLATFORM INSTALLATION - 110V IEC 60309 YELLOW WITH 2500W GENERATOR (CE SPECS)



ART\_1001100326



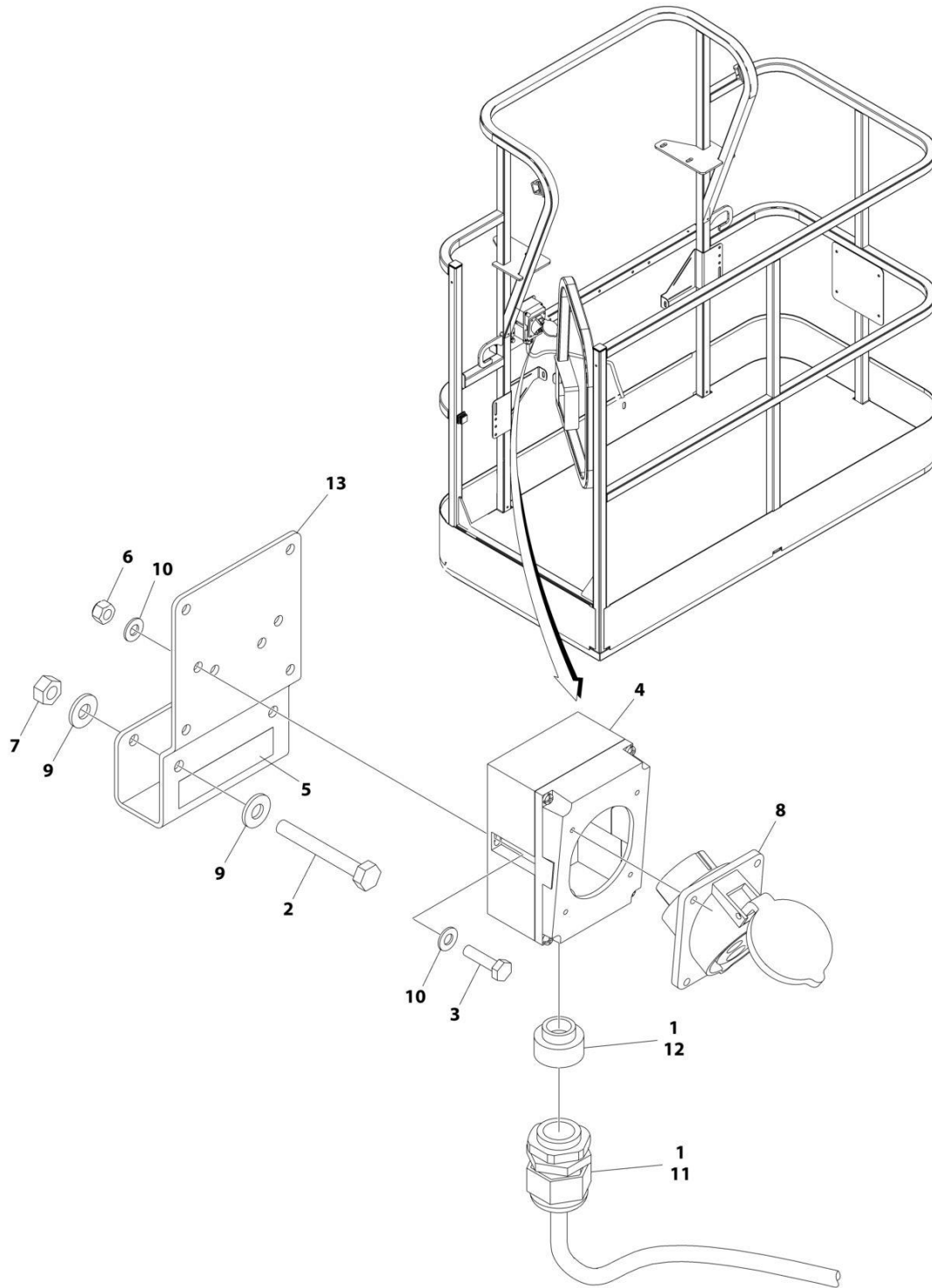
## SECTION 8 - ELECTRICAL

**FIGURE 8-6. AC BOX AT PLATFORM INSTALLATION - 110V IEC 60309 YELLOW WITH 2500W GENERATOR (CE SPECS)**

| ITEM | PART NUMBER | QTY             | DESCRIPTION   | REV |
|------|-------------|-----------------|---|-----|
|      | 1001100326  | Ref             | AC BOX AT PLATFORM INSTALLATION - 110V IEC 60309 YELLOW     | D   |
| 1    | 0100020     | AR              | Sealant, Pipe   |     |
| 2    | 0700408     | 2               | Bolt M4 x 16  |     |
| 3    | 3290405     | 2               | Nut M4  |     |
| 4    | 1001101196  | 1               | Adapter   |     |
| 5    | 4811400     | 4               | Washer M4   |     |
| 6    | 1001100341  | 1               | Receptacle Box Kit (See Separate Breakdown in this Section) |     |
| 7    | 1001101191  | 1               | Connector, Strain Relief                                    |     |
| 8    | 1060908     | 10 ft<br>/3.05m | Cable, Electrical 12/3 (Not Shown)                          |     |
| 9    | 0641416     | 2               | Bolt 1/4 x 2  |     |
| 10   | 1705325     | 1               | Decal - 110V  |     |
| 11   | 3311405     | 2               | Nut 1/4   |     |
| 12   | 4711400     | 4               | Washer 1/4  |     |
| 13   | 1001193018  | 1               | Bracket   |     |

# SECTION 8 - ELECTRICAL

FIGURE 8-7. AC BOX AT PLATFORM INSTALLATION - 110V IEC YELLOW (CE SPECS) (MACHINES WITH 4000W GENERATOR)



ART\_1001206253

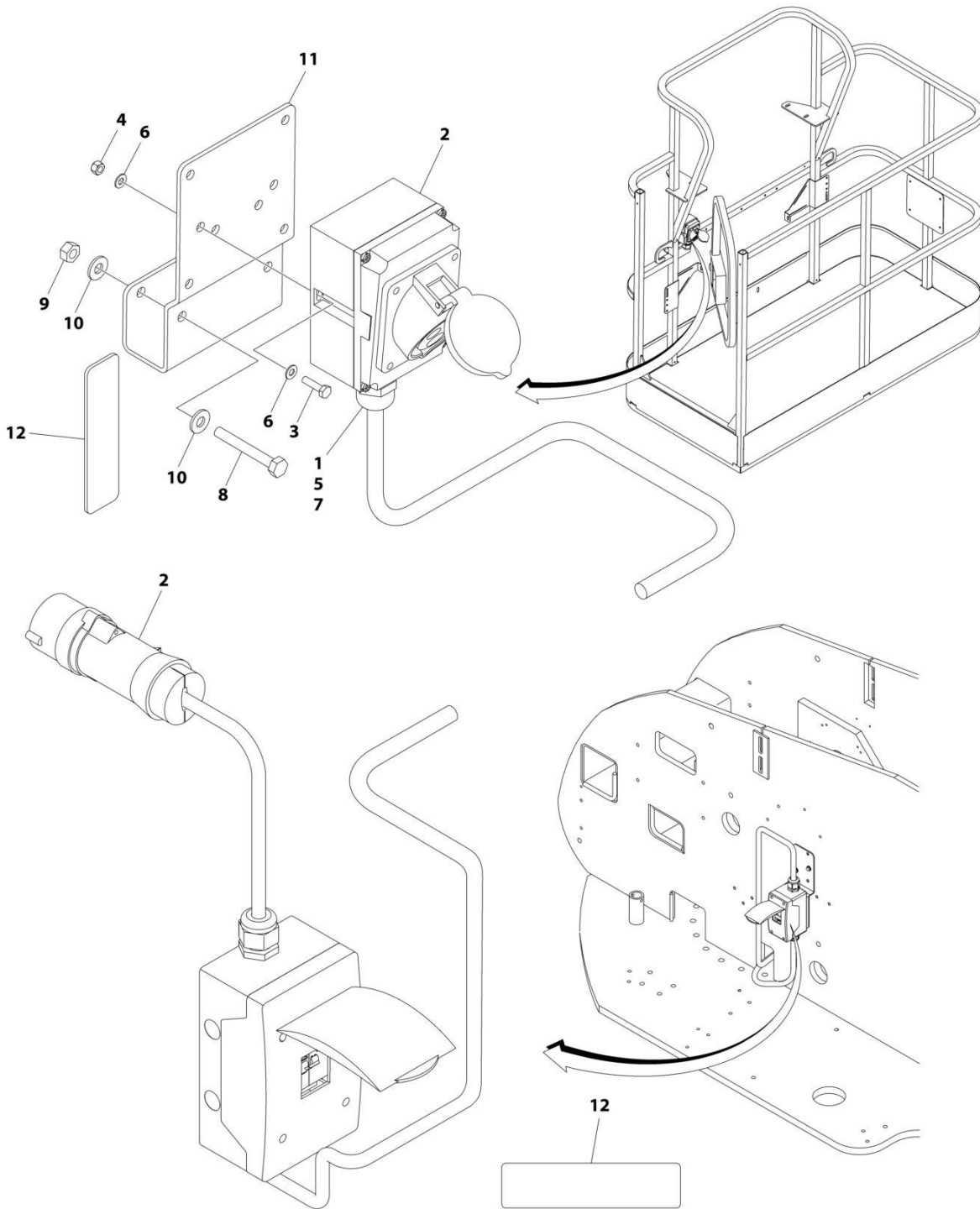
## SECTION 8 - ELECTRICAL

**FIGURE 8-7. AC BOX AT PLATFORM INSTALLATION - 110V IEC YELLOW (CE SPECS) (MACHINES WITH 4000W GENERATOR)**

| ITEM | PART NUMBER | QTY | DESCRIPTION   | REV |
|------|-------------|-----|---|-----|
|      | 1001206253  | Ref | AC BOX AT PLATFORM INSTALLATION - 110V IEC 60309 YELLOW WITHOUT 4000W GENERATOR | A   |
| 1    | 0100020     | AR  | Sealant, Pipe   |     |
| 2    | 0641416     | 2   | Bolt 1/4 x 2  |     |
| 3    | 0700408     | 2   | Bolt M4 x 16  |     |
| 4    | 0861781     | 1   | Box, Switch   |     |
| 5    | 1705325     | 1   | Decal - 110V  |     |
| 6    | 3290405     | 2   | Nut M4  |     |
| 7    | 3311405     | 2   | Nut 1/4   |     |
| 8    | 4461198     | 1   | Receptacle  |     |
| 9    | 4711400     | 4   | Washer 1/4  |     |
| 10   | 4811400     | 4   | Washer M4   |     |
| 11   | 1001101191  | 1   | Connector, Strain Relief  |     |
| 12   | 1001101196  | 1   | Adapter   |     |
| 13   | 1001193018  | 1   | Bracket, AC Receptacle  |     |

# SECTION 8 - ELECTRICAL

**FIGURE 8-8. AC BOX AT PLATFORM INSTALLATION - 220V IEC BLUE (CE SPECS) (MACHINES WITH 2500W GENERATOR OR NO GENERATOR OPTION)**



ART\_1001091970

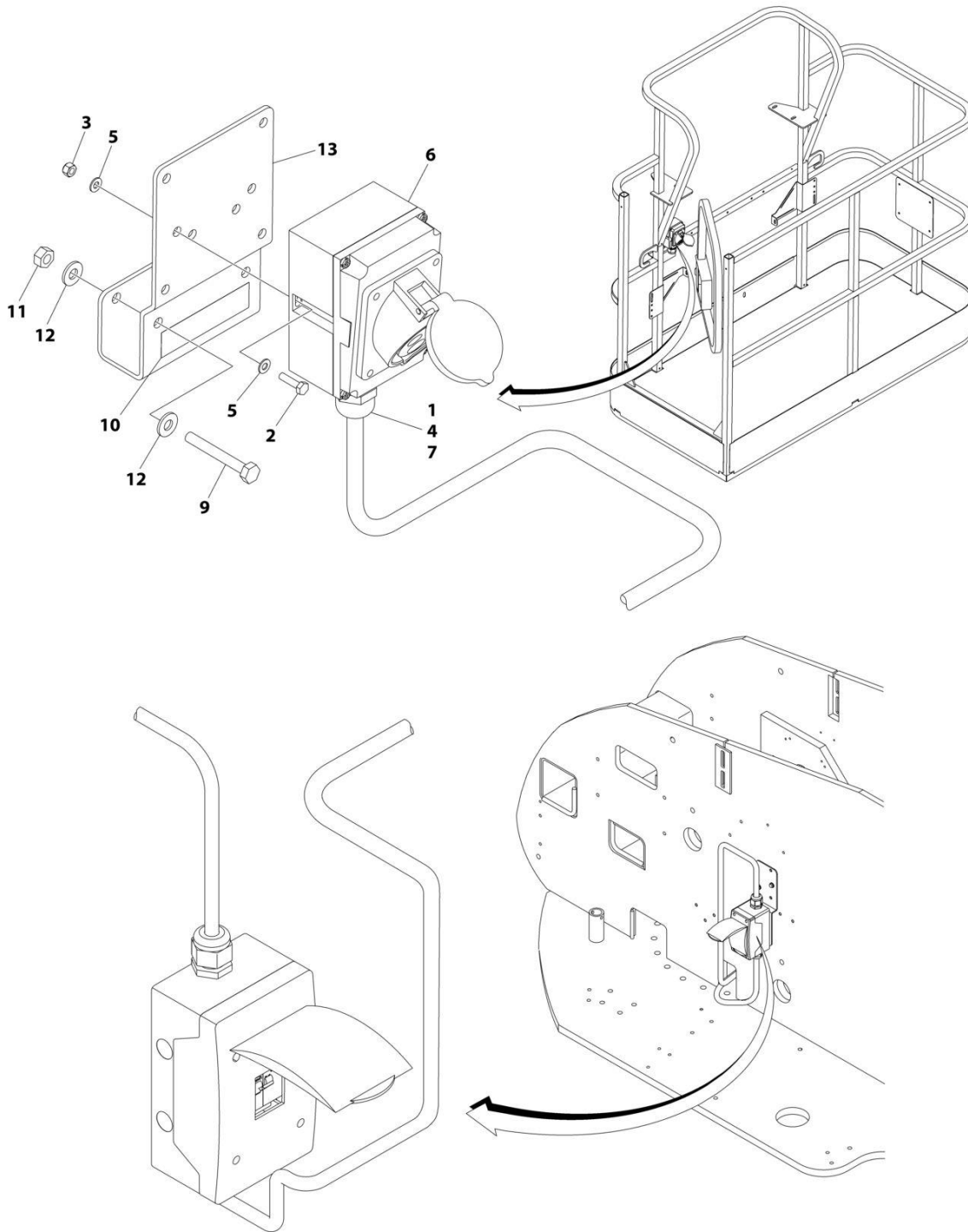
## SECTION 8 - ELECTRICAL

**FIGURE 8-8. AC BOX AT PLATFORM INSTALLATION - 220V IEC BLUE (CE SPECS) (MACHINES WITH 2500W GENERATOR OR NO GENERATOR OPTION)**

| ITEM | PART NUMBER | QTY | DESCRIPTION   | REV |
|------|-------------|-----|---|-----|
|      | 1001091970  | Ref | AC BOX AT PLATFORM INSTALLATION - 220V IEC BLUE             | D   |
| 1    | 0100020     | AR  | Sealant, Pipe   |     |
| 2    | 0275217     | 1   | Receptacle Box Kit (See Separate Breakdown in this Section) |     |
| 3    | 0700408     | 2   | Bolt M4 x 16  |     |
| 4    | 3290405     | 2   | Nut M4  |     |
| 5    | 1001101196  | 1   | Adapter   |     |
| 6    | 4811400     | 4   | Washer M4   |     |
| 7    | 1001101191  | 1   | Connector, Strain Relief                                    |     |
| 8    | 0641416     | 2   | Bolt 1/4 x 2  |     |
| 9    | 3311405     | 2   | Nut 1/4   |     |
| 10   | 4711400     | 4   | Washer 1/4  |     |
| 11   | 1001193018  | 1   | Bracket   |     |
| 12   | 3251242     | 2   | Decal - 240V/50Hz   |     |

# SECTION 8 - ELECTRICAL

FIGURE 8-9. AC BOX AT PLATFORM INSTALLATION - 220V IEC 60309 BLUE WITH 2500W GENERATOR (CE SPECS)



ART\_1001100327

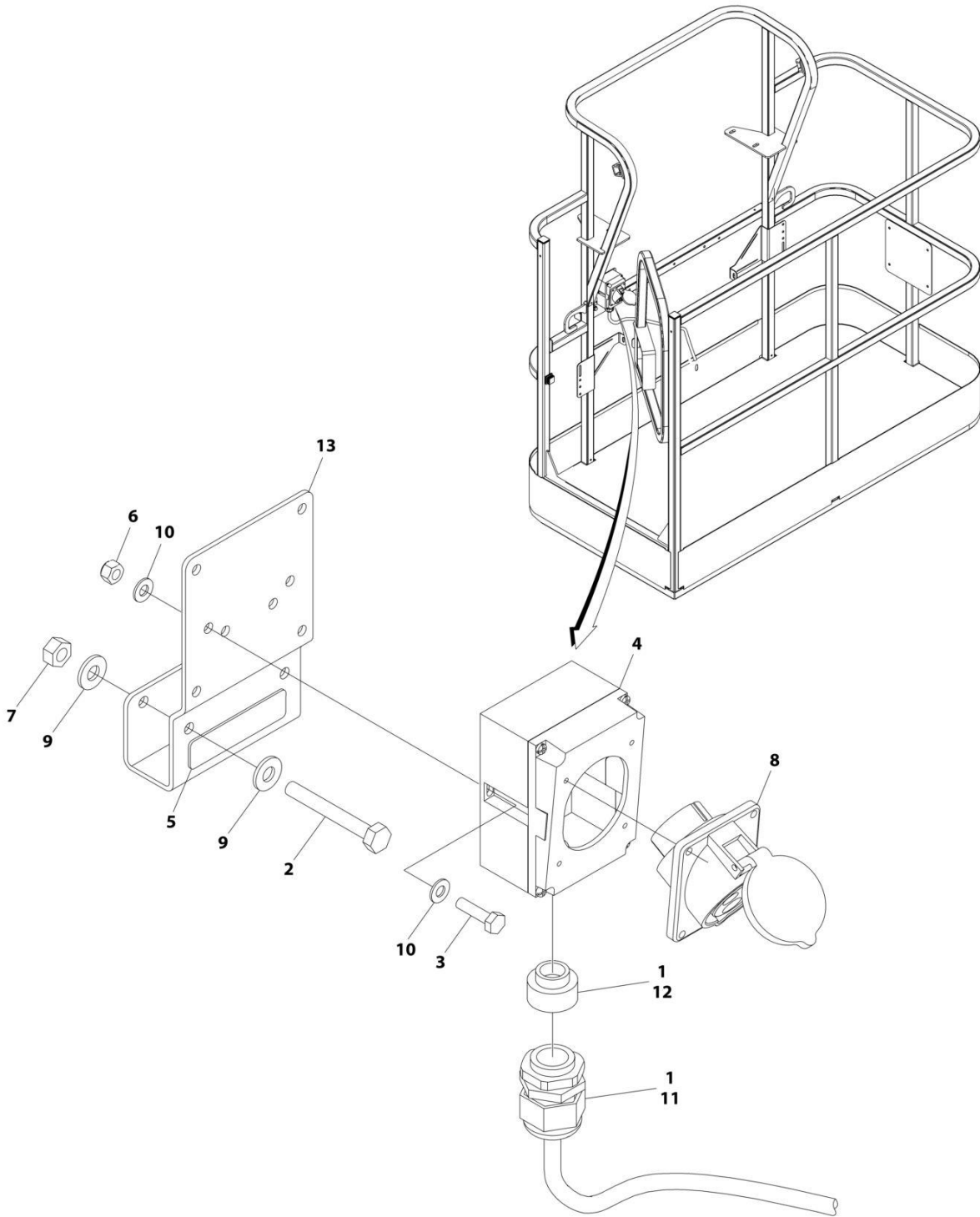
## SECTION 8 - ELECTRICAL

**FIGURE 8-9. AC BOX AT PLATFORM INSTALLATION - 220V IEC 60309 BLUE WITH 2500W GENERATOR (CE SPECS)**

| ITEM | PART NUMBER | QTY             | DESCRIPTION   | REV |
|------|-------------|-----------------|---|-----|
|      | 1001100327  | Ref             | AC BOX AT PLATFORM INSTALLATION - 220V IEC 60309 BLUE       | D   |
| 1    | 0100020     | AR              | Sealant, Pipe   |     |
| 2    | 0700408     | 2               | Bolt M4 x 16  |     |
| 3    | 3290405     | 2               | Nut M4  |     |
| 4    | 1001101196  | 1               | Adapter   |     |
| 5    | 4811400     | 4               | Washer M4   |     |
| 6    | 1001100342  | 1               | Receptacle Box Kit (See Separate Breakdown in this Section) |     |
| 7    | 1001101191  | 1               | Connector, Strain Relief                                    |     |
| 8    | 1060908     | 10 ft<br>/3.05m | Cable, Electrical 12/3 (Not Shown)                          |     |
| 9    | 0641416     | 2               | Bolt 1/4 x 2  |     |
| 10   | 3252507     | 1               | Decal - 220V  |     |
| 11   | 3311405     | 2               | Nut 1/4   |     |
| 12   | 4711400     | 4               | Washer 1/4  |     |
| 13   | 1001193018  | 1               | Bracket   |     |

# SECTION 8 - ELECTRICAL

FIGURE 8-10. AC BOX AT PLATFORM INSTALLATION - 220V IEC BLUE (CE SPECS) (MACHINES WITH 4000W GENERATOR)



ART\_1001206254



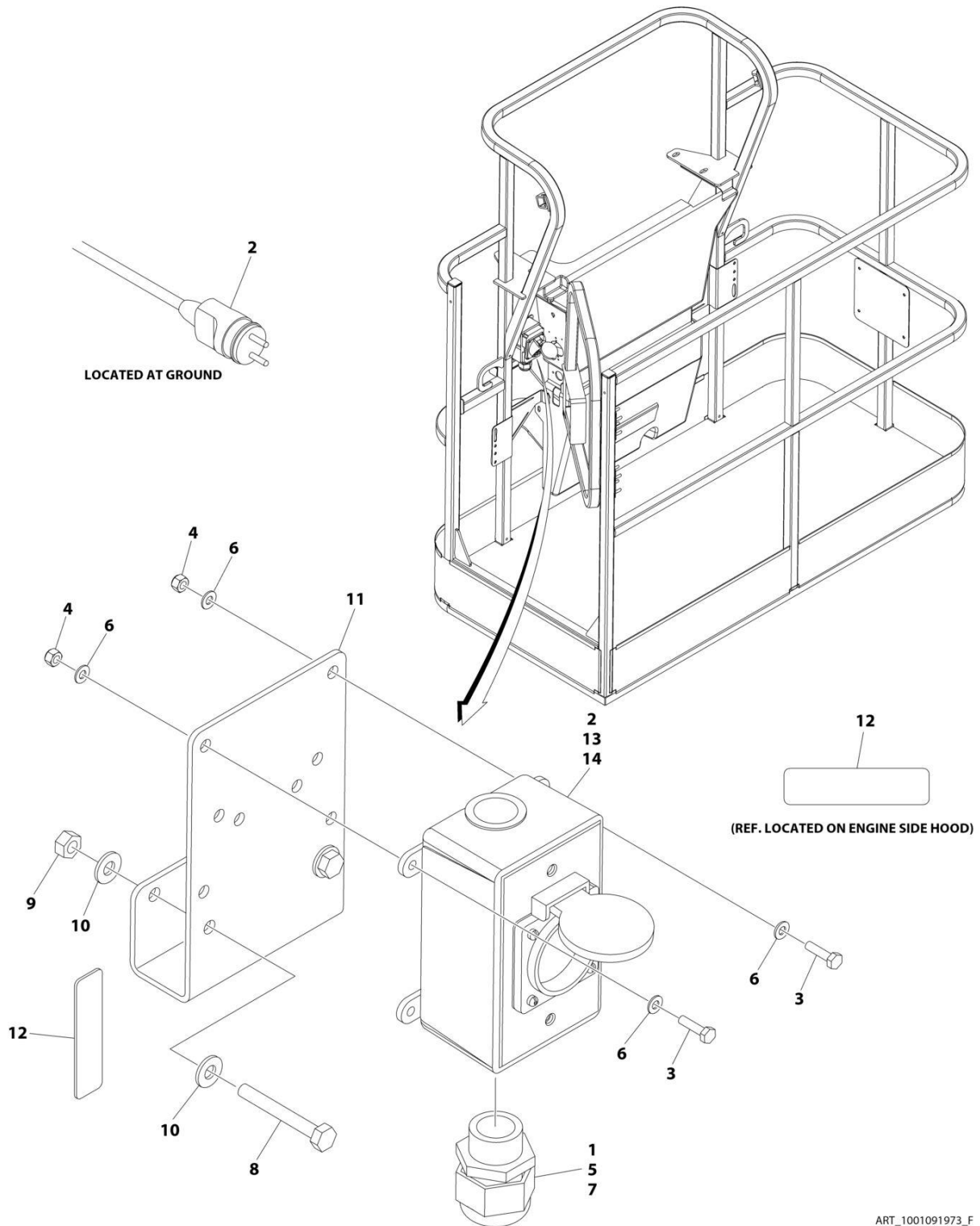
## SECTION 8 - ELECTRICAL

**FIGURE 8-10. AC BOX AT PLATFORM INSTALLATION - 220V IEC BLUE (CE SPECS) (MACHINES WITH 4000W GENERATOR)**

| ITEM | PART NUMBER | QTY | DESCRIPTION                                     | REV |
|------|-------------|-----|---|-----|
|      | 1001206254  | Ref | AC BOX AT PLATFORM INSTALLATION - 220V IEC BLUE | A   |
| 1    | 0100020     | AR  | Sealant, Pipe                                   |     |
| 2    | 0641416     | 2   | Bolt 1/4 x 2                                    |     |
| 3    | 0700408     | 2   | Bolt M4 x 16                                    |     |
| 4    | 0861781     | 1   | Box, Switch                                     |     |
| 5    | 3251242     | 1   | Decal - 240V/50Hz                               |     |
| 6    | 3290405     | 2   | Nut M4  |     |
| 7    | 3311405     | 2   | Nut 1/4   |     |
| 8    | 4461201     | 1   | Receptacle                                      |     |
| 9    | 4711400     | 4   | Washer 1/4                                      |     |
| 10   | 4811400     | 4   | Washer M4                                       |     |
| 11   | 1001101191  | 1   | Connector, Strain Relief                        |     |
| 12   | 1001101196  | 1   | Adapter   |     |
| 13   | 1001193018  | 1   | Bracket, AC Receptacle                          |     |

# SECTION 8 - ELECTRICAL

**FIGURE 8-11. AC BOX AT PLATFORM INSTALLATION - 220V CEE7 POST GROUND (CE SPECS)  
(MACHINES WITH 2500W GENERATOR OR NO GENERATOR OPTION)**



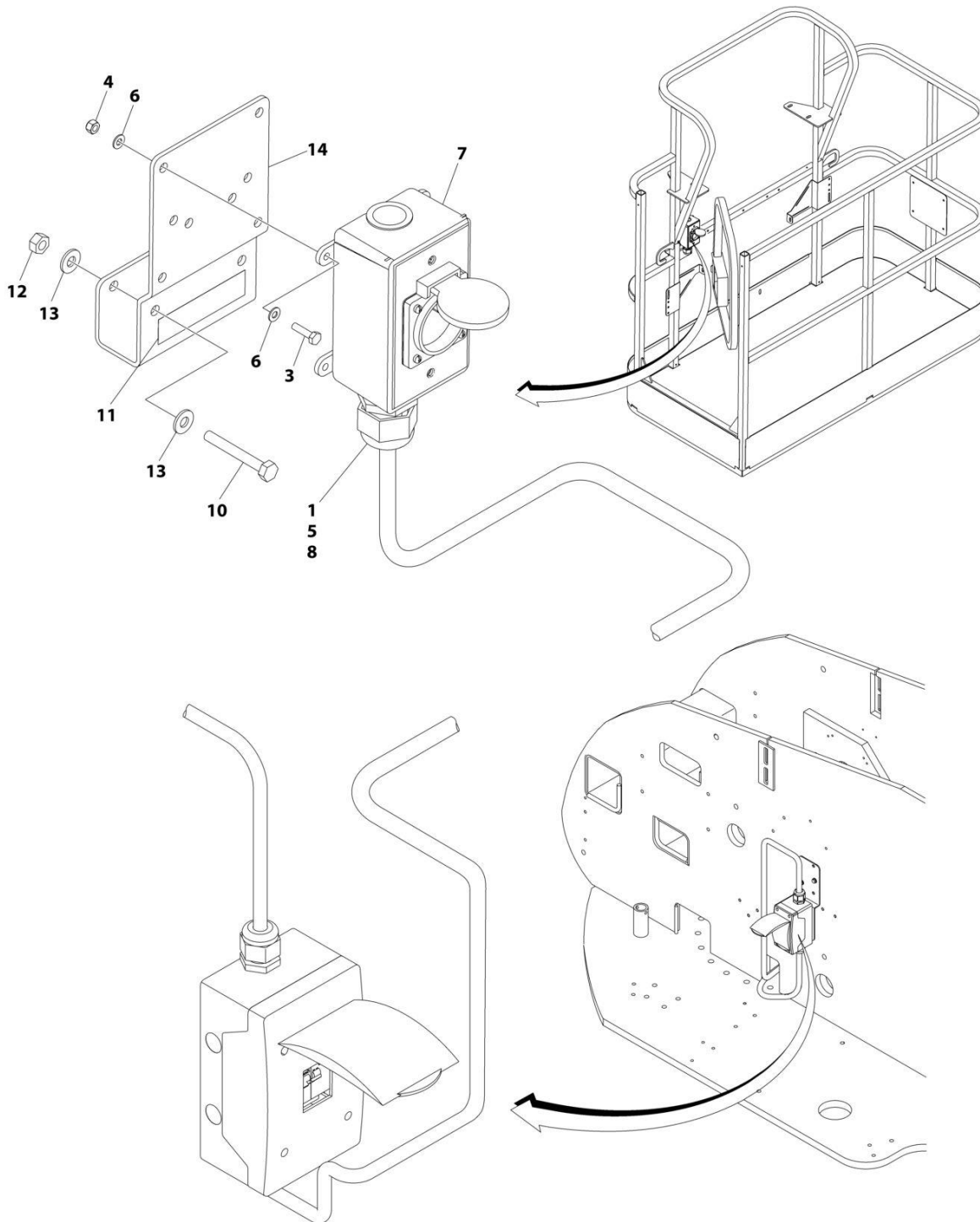
## SECTION 8 - ELECTRICAL

**FIGURE 8-11. AC BOX AT PLATFORM INSTALLATION - 220V CEE7 POST GROUND (CE SPECS)  
(MACHINES WITH 2500W GENERATOR OR NO GENERATOR OPTION)**

| ITEM | PART NUMBER | QTY | DESCRIPTION  | REV |
|------|-------------|-----|--|-----|
|      | 1001091973  | Ref | AC BOX AT PLATFORM INSTALLATION - 220V CEE7 2X4 BOX<br>POST GROUND | F   |
| 1    | 0100020     | AR  | Sealant, Pipe  |     |
| 2    | 0275452     | 1   | Receptacle Box Kit (See Separate Breakdown in this Section)        |     |
| 3    | 0700408     | 4   | Bolt M4 x 16   |     |
| 4    | 3290405     | 4   | Nut M4   |     |
| 5    | 1001101197  | 1   | Adapter  |     |
| 6    | 4811400     | 8   | Washer M4  |     |
| 7    | 1001101191  | 1   | Connector, Strain Relief   |     |
| 8    | 0641416     | 2   | Bolt 1/4 x 2   |     |
| 9    | 3311405     | 2   | Nut 1/4  |     |
| 10   | 4711400     | 4   | Washer 1/4   |     |
| 11   | 1001193018  | 1   | Bracket  |     |
| 12   | 3251242     | 2   | Decal - 240V/50Hz  |     |
| 13   | 4460806     | 2   | Terminal, Fork (Not Shown)   |     |
| 14   | 1001205958  | 1   | Terminal (Not Shown)   |     |

# SECTION 8 - ELECTRICAL

FIGURE 8-12. AC BOX AT PLATFORM INSTALLATION - 220V CEE7 POST GROUND (2X4 BOX) WITH 2500W GENERATOR (CE SPECS)



ART\_1001100331

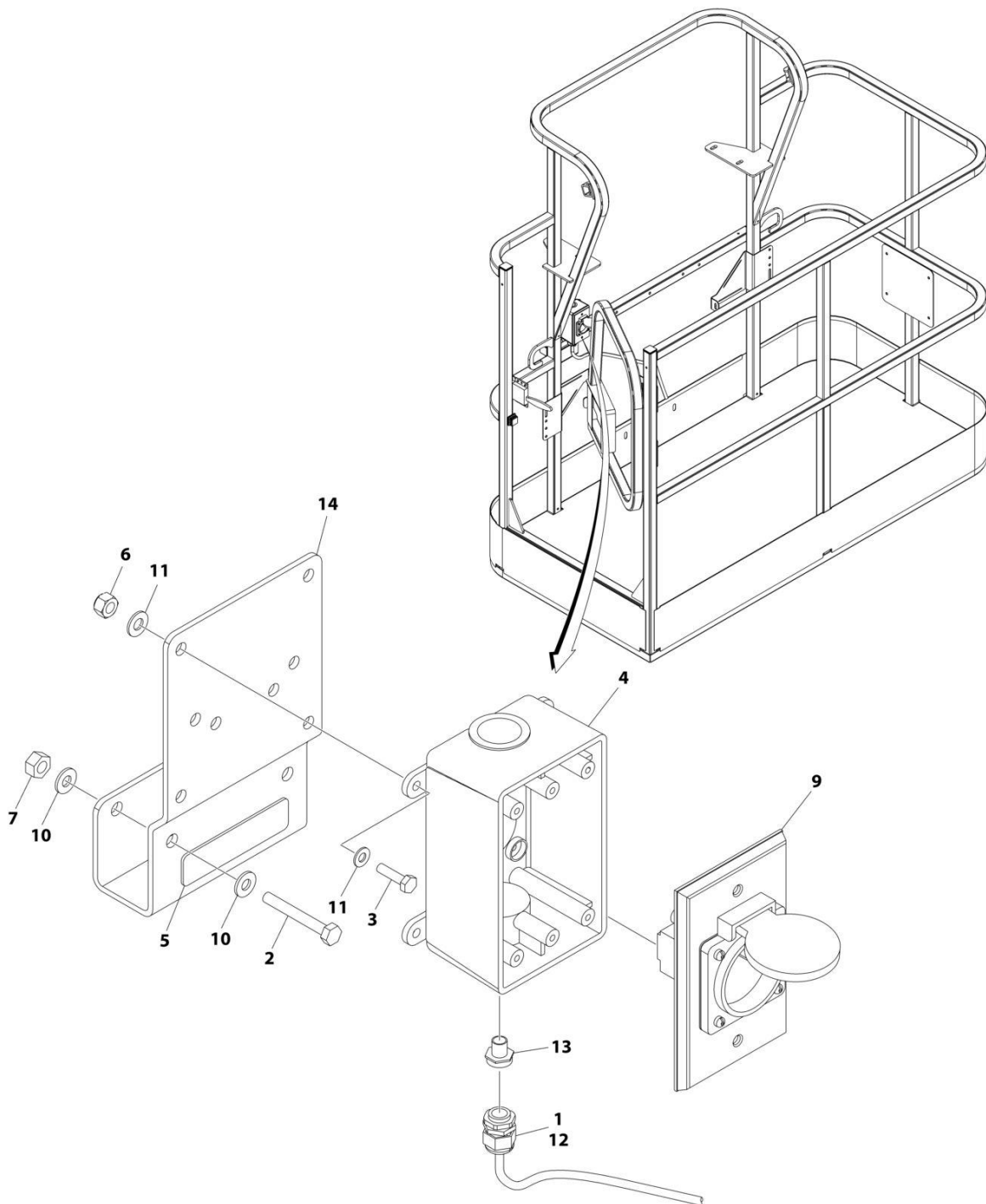
## SECTION 8 - ELECTRICAL

**FIGURE 8-12. AC BOX AT PLATFORM INSTALLATION - 220V CEE7 POST GROUND (2X4 BOX) WITH 2500W GENERATOR (CE SPECS)**

| ITEM | PART NUMBER | QTY             | DESCRIPTION   | REV |
|------|-------------|-----------------|---|-----|
|      | 1001100331  | Ref             | AC BOX AT PLATFORM INSTALLATION - 220V CEE7 POST GROUND (2X4 BOX) | E   |
| 1    | 0100020     | AR              | Sealant, Pipe   |     |
| 3    | 0700408     | 4               | Bolt M4 x 16  |     |
| 4    | 3290405     | 4               | Nut M4  |     |
| 5    | 1001101197  | 1               | Adapter   |     |
| 6    | 4811400     | 8               | Washer M4   |     |
| 7    | 1001100345  | 1               | Receptacle Box Kit (See Separate Breakdown in this Section)       |     |
| 8    | 1001101191  | 1               | Connector, Strain Relief  |     |
| 9    | 1060908     | 10 ft<br>/3.05m | Cable, Electrical 12/3 (Not Shown)                                |     |
| 10   | 0641416     | 2               | Bolt 1/4 x 2  |     |
| 11   | 3252507     | 1               | Decal - 220V  |     |
| 12   | 3311405     | 2               | Nut 1/4   |     |
| 13   | 4711400     | 4               | Washer 1/4  |     |
| 14   | 1001193018  | 1               | Bracket   |     |
| 15   | 4460806     | 2               | Terminal, Fork (Not Shown)  |     |
| 16   | 1001205958  | 1               | Terminal (Not Shown)  |     |

# SECTION 8 - ELECTRICAL

**FIGURE 8-13. AC BOX AT PLATFORM INSTALLATION - 220V CEE7 POST GROUND (CE SPECS)  
(MACHINES WITH 4000W GENERATOR)**



ART\_1001206250

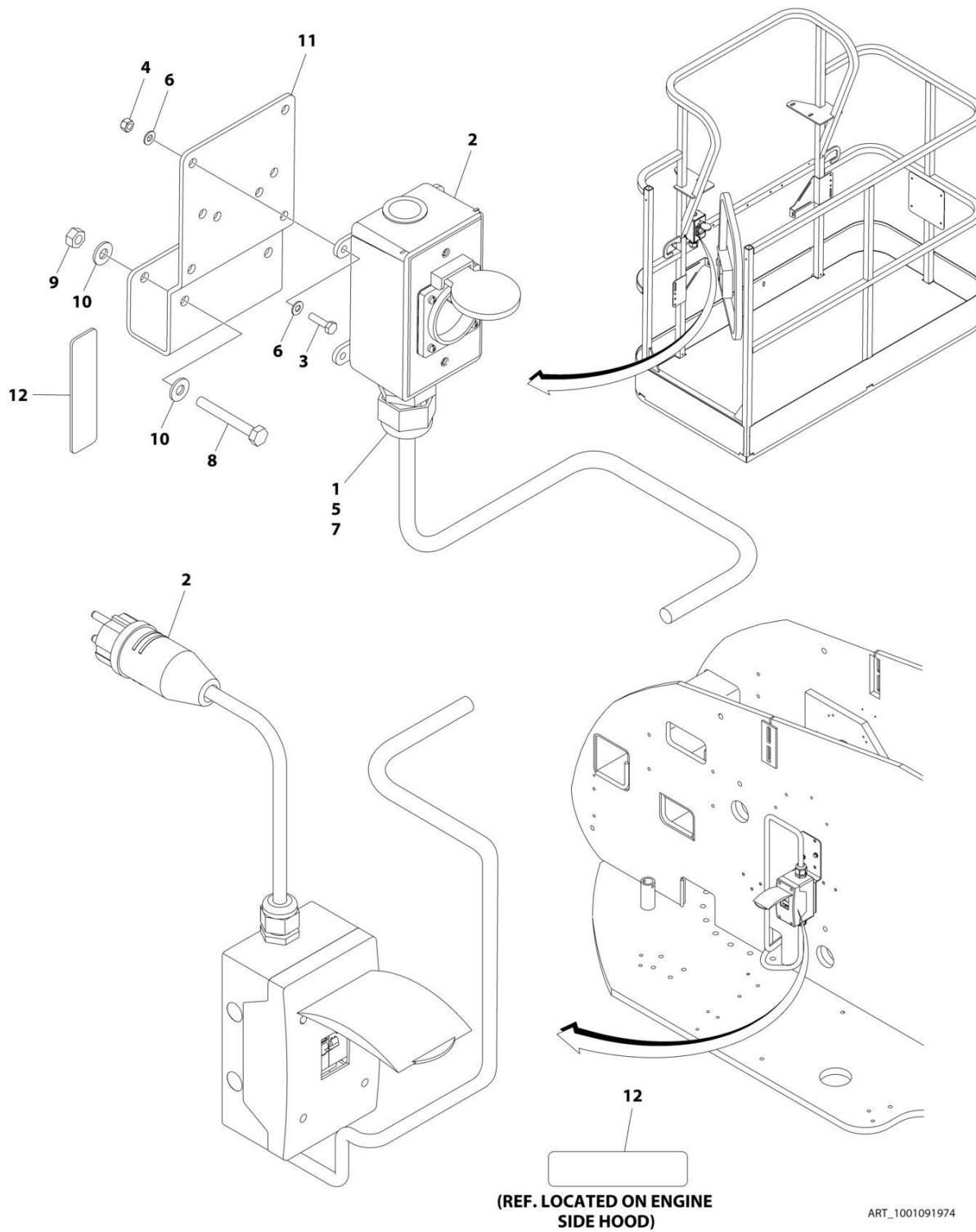
## SECTION 8 - ELECTRICAL

**FIGURE 8-13. AC BOX AT PLATFORM INSTALLATION - 220V CEE7 POST GROUND (CE SPECS)  
(MACHINES WITH 4000W GENERATOR)**

| ITEM | PART NUMBER | QTY | DESCRIPTION  | REV |
|------|-------------|-----|--|-----|
|      | 1001206250  | Ref | AC BOX AT PLATFORM INSTALLATION - 220V CEE7 2X4 BOX<br>POST GROUND | A   |
| 1    | 0100020     | AR  | Sealant, Pipe  |     |
| 2    | 0641416     | 2   | Bolt 1/4 x 2   |     |
| 3    | 0700408     | 4   | Bolt M4 x 16   |     |
| 4    | 0861731     | 1   | Box, Switch  |     |
| 5    | 3251242     | 1   | Decal - 240V/50Hz  |     |
| 6    | 3290405     | 4   | Nut M4   |     |
| 7    | 3311405     | 2   | Nut 1/4  |     |
| 8    | 4460806     | 2   | Terminal, Fork (Not Shown)   |     |
| 9    | 4461244     | 1   | Receptacle   |     |
| 10   | 4711400     | 4   | Washer 1/4   |     |
| 11   | 4811400     | 8   | Washer M4  |     |
| 12   | 1001101191  | 1   | Connector, Strain Relief   |     |
| 13   | 1001101197  | 1   | Adapter  |     |
| 14   | 1001193018  | 1   | Bracket, AC Receptacle   |     |
| 15   | 1001205958  | 1   | Terminal (Not Shown)   |     |

# SECTION 8 - ELECTRICAL

**FIGURE 8-14. AC BOX AT PLATFORM INSTALLATION - 220V CEE7 SIDE GROUND (CE SPECS)  
(MACHINES WITH 2500W GENERATOR OR NO GENERATOR OPTION)**





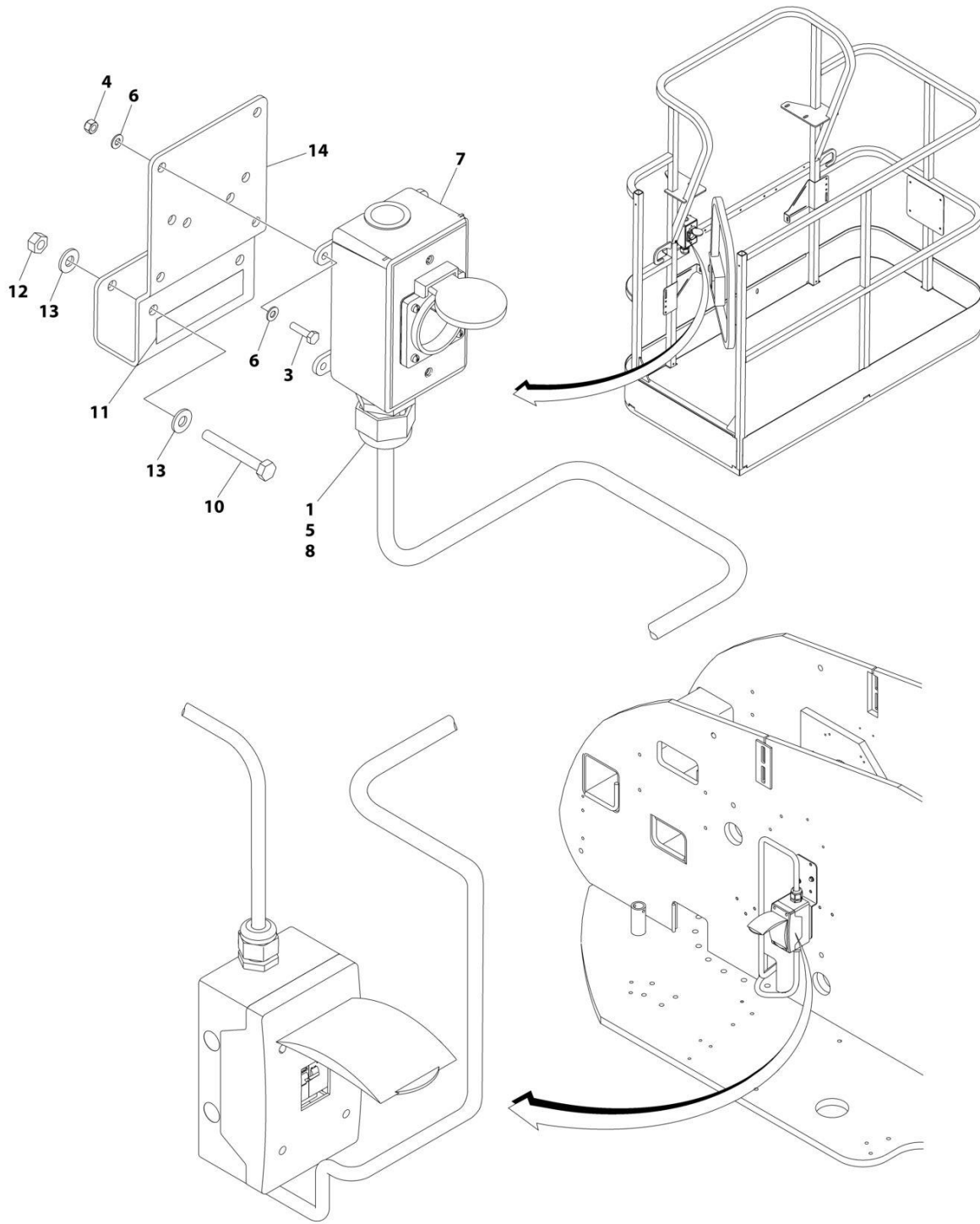
## SECTION 8 - ELECTRICAL

**FIGURE 8-14. AC BOX AT PLATFORM INSTALLATION - 220V CEE7 SIDE GROUND (CE SPECS)  
(MACHINES WITH 2500W GENERATOR OR NO GENERATOR OPTION)**

| ITEM | PART NUMBER | QTY | DESCRIPTION  | REV |
|------|-------------|-----|--|-----|
|      | 1001091974  | Ref | AC BOX AT PLATFORM INSTALLATION - 220V CEE7 2X4 BOX<br>SIDE GROUND | F   |
| 1    | 0100020     | AR  | Sealant, Pipe  |     |
| 2    | 0275453     | 1   | Receptacle Box Kit (See Separate Breakdown in this Section)        |     |
| 3    | 0700408     | 4   | Bolt M4 x 16   |     |
| 4    | 3290405     | 4   | Nut M4   |     |
| 5    | 1001101197  | 1   | Adapter  |     |
| 6    | 4811400     | 8   | Washer M4  |     |
| 7    | 1001101191  | 1   | Connector, Strain Relief   |     |
| 8    | 0641416     | 2   | Bolt 1/4 x 2   |     |
| 9    | 3311405     | 2   | Nut 1/4  |     |
| 10   | 4711400     | 4   | Washer 1/4   |     |
| 11   | 1001193018  | 1   | Bracket  |     |
| 12   | 3251242     | 2   | Decal - 240V/50Hz  |     |
| 13   | 4460806     | 2   | Terminal, Fork (Not Shown)   |     |
| 14   | 1001205958  | 1   | Terminal (Not Shown)   |     |

# SECTION 8 - ELECTRICAL

FIGURE 8-15. AC BOX AT PLATFORM INSTALLATION - 220V CEE7 SIDE GROUND (2X4 BOX) WITH 2500W GENERATOR (CE SPECS)



ART\_1001100333

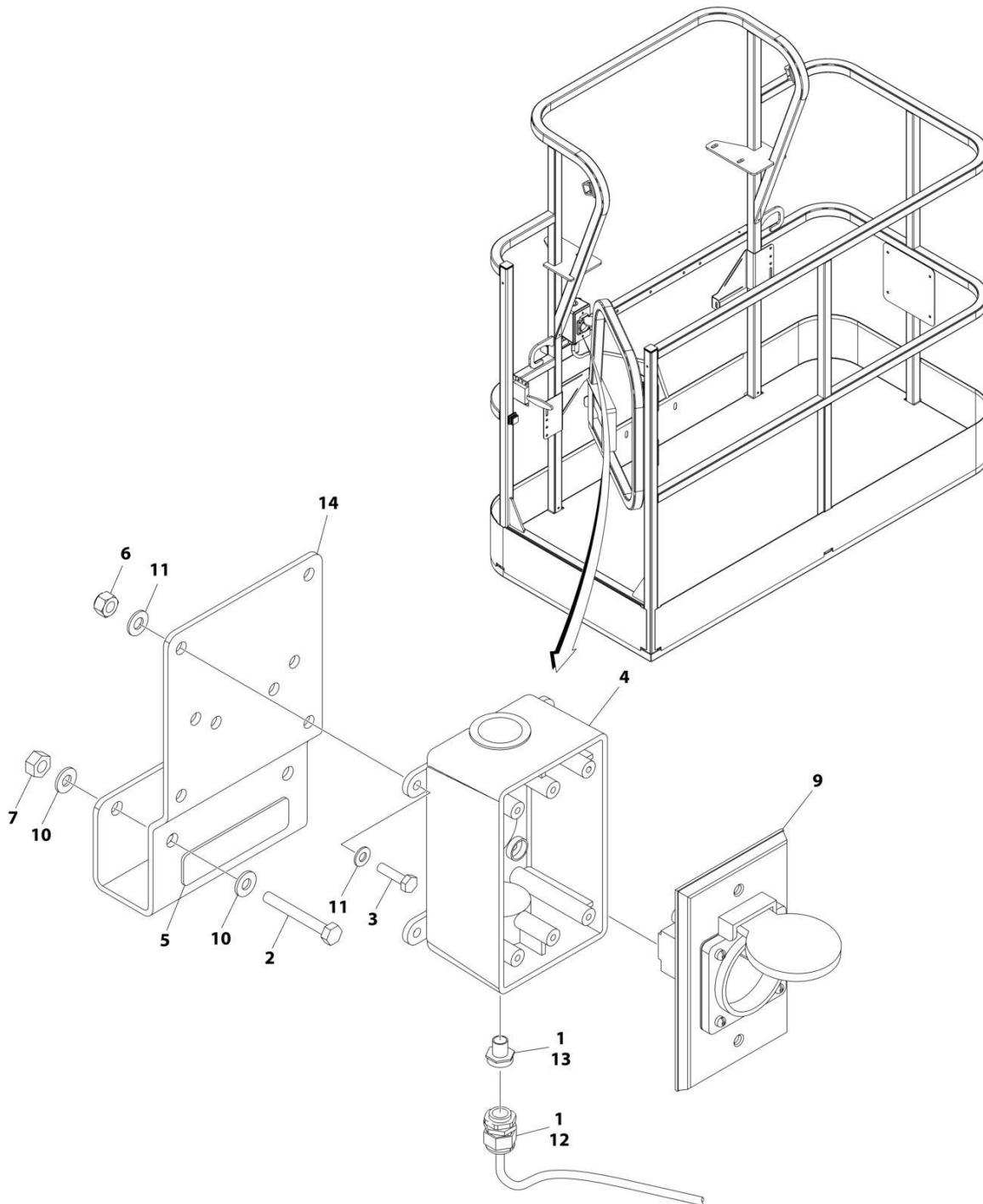
## SECTION 8 - ELECTRICAL

**FIGURE 8-15. AC BOX AT PLATFORM INSTALLATION - 220V CEE7 SIDE GROUND (2X4 BOX) WITH 2500W GENERATOR (CE SPECS)**

| ITEM | PART NUMBER | QTY             | DESCRIPTION   | REV |
|------|-------------|-----------------|---|-----|
|      | 1001100333  | Ref             | AC BOX AT PLATFORM INSTALLATION - 220V CEE7 SIDE GROUND (2X4 BOX) | E   |
| 1    | 0100020     | AR              | Sealant, Pipe   |     |
| 3    | 0700408     | 4               | Bolt M4 x 16  |     |
| 4    | 3290405     | 4               | Nut M4  |     |
| 5    | 1001101197  | 1               | Adapter   |     |
| 6    | 4811400     | 8               | Washer M4   |     |
| 7    | 1001100347  | 1               | Receptacle Box Kit (See Separate Breakdown in this Section)       |     |
| 8    | 1001101191  | 1               | Connector, Strain Relief  |     |
| 9    | 1060908     | 10 ft<br>/3.05m | Cable, Electrical 12/3 (Not Shown)                                |     |
| 10   | 0641416     | 2               | Bolt 1/4 x 2  |     |
| 11   | 3252507     | 1               | Decal - 220V  |     |
| 12   | 3311405     | 2               | Nut 1/4   |     |
| 13   | 4711400     | 4               | Washer 1/4  |     |
| 14   | 1001193018  | 1               | Bracket   |     |
| 15   | 4460806     | 2               | Terminal, Fork (Not Shown)  |     |
| 16   | 1001205958  | 1               | Terminal (Not Shown)  |     |

# SECTION 8 - ELECTRICAL

**FIGURE 8-16. AC BOX AT PLATFORM INSTALLATION - 220V CEE7 SIDE GROUND (CE SPECS)  
(MACHINES WITH 4000W GENERATOR)**



ART\_1001206251

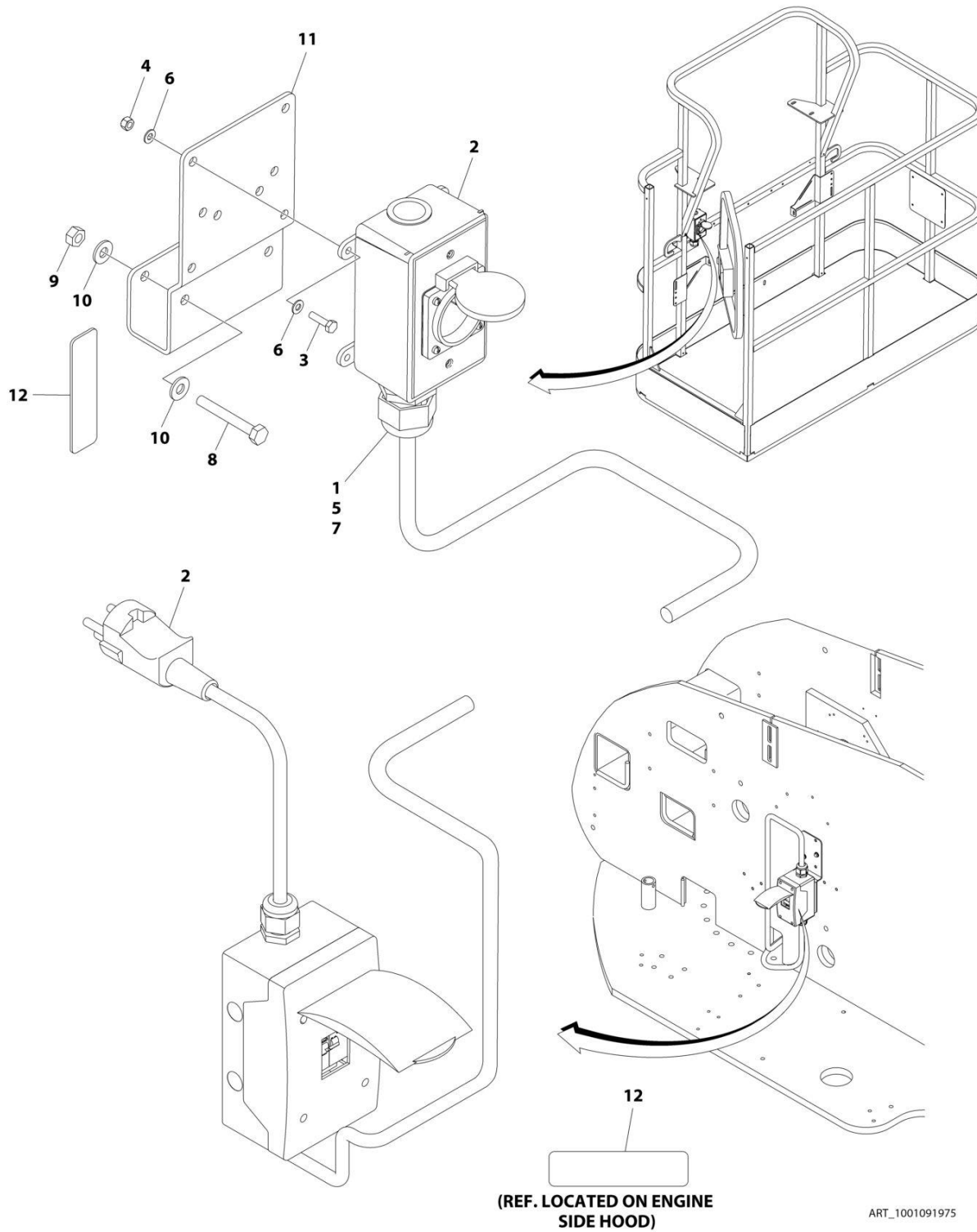
## SECTION 8 - ELECTRICAL

**FIGURE 8-16. AC BOX AT PLATFORM INSTALLATION - 220V CEE7 SIDE GROUND (CE SPECS)  
(MACHINES WITH 4000W GENERATOR)**

| ITEM | PART NUMBER | QTY | DESCRIPTION  | REV |
|------|-------------|-----|--|-----|
|      | 1001206251  | Ref | AC BOX AT PLATFORM INSTALLATION - 220V CEE7 2X4 BOX<br>SIDE GROUND | A   |
| 1    | 0100020     | AR  | Sealant, Pipe  |     |
| 2    | 0641416     | 2   | Bolt 1/4 x 2   |     |
| 3    | 0700408     | 4   | Bolt M4 x 16   |     |
| 4    | 0861731     | 1   | Box, Switch  |     |
| 5    | 3251242     | 1   | Decal - 240V/50Hz  |     |
| 6    | 3290405     | 4   | Nut M4   |     |
| 7    | 3311405     | 2   | Nut 1/4  |     |
| 8    | 4460806     | 2   | Terminal, Fork (Not Shown)   |     |
| 9    | 4461245     | 1   | Receptacle   |     |
| 10   | 4711400     | 4   | Washer 1/4   |     |
| 11   | 4811400     | 8   | Washer M4  |     |
| 12   | 1001101191  | 1   | Connector, Strain Relief   |     |
| 13   | 1001101197  | 1   | Adapter  |     |
| 14   | 1001193018  | 1   | Bracket, AC Receptacle   |     |
| 15   | 1001205958  | 1   | Terminal (Not Shown)   |     |

# SECTION 8 - ELECTRICAL

**FIGURE 8-17. AC BOX AT PLATFORM INSTALLATION - 220V AFSINT 107 KEYED GROUND (CE SPECS) (MACHINES WITH 2500W GENERATOR OR NO GENERATOR OPTION)**



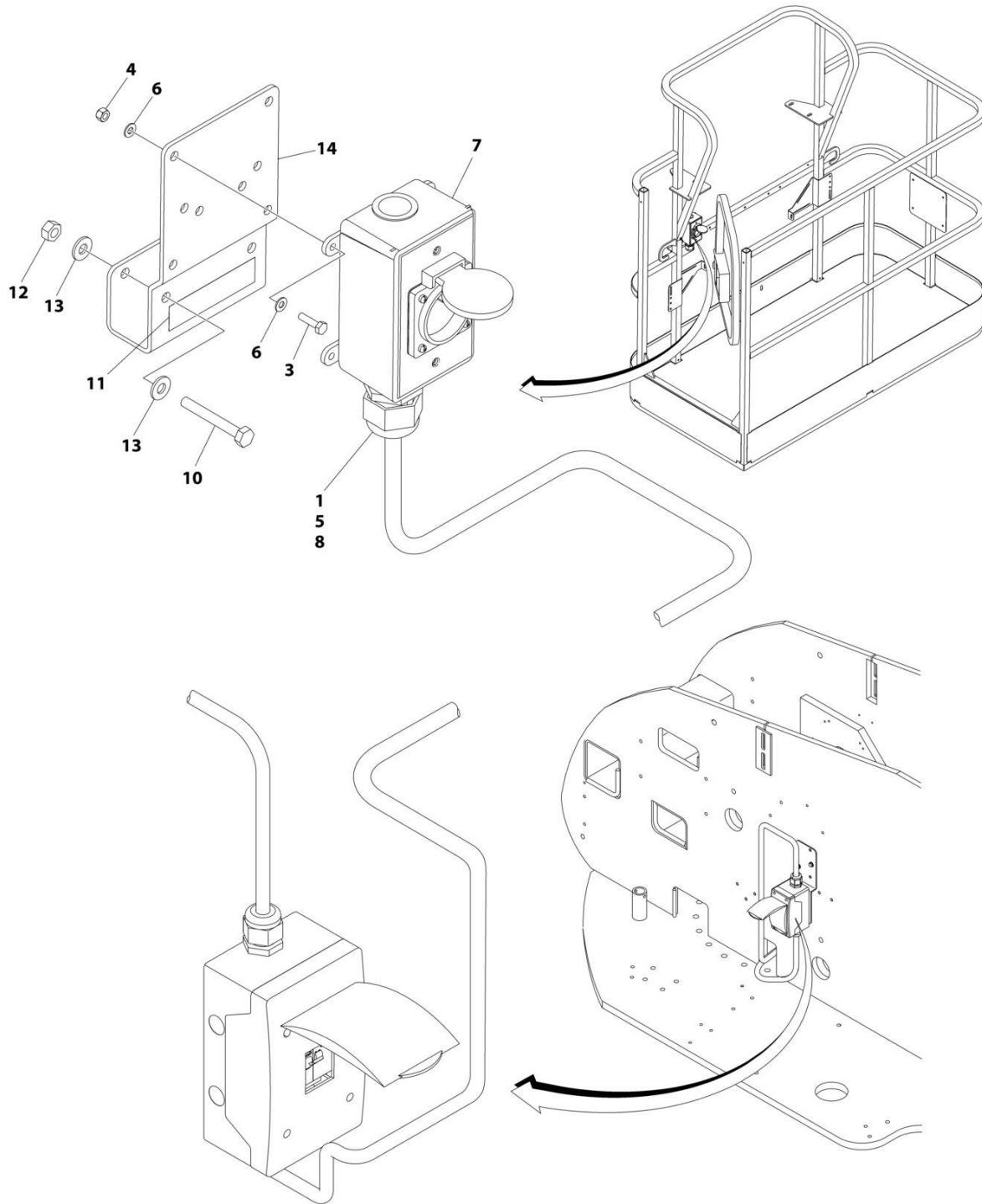
## SECTION 8 - ELECTRICAL

**FIGURE 8-17. AC BOX AT PLATFORM INSTALLATION - 220V AFSINT 107 KEYED GROUND (CE SPECS) (MACHINES WITH 2500W GENERATOR OR NO GENERATOR OPTION)**

| ITEM | PART NUMBER | QTY | DESCRIPTION  | REV |
|------|-------------|-----|--|-----|
|      | 1001091975  | Ref | AC BOX AT PLATFORM INSTALLATION - 220V AFSINT 107 2X4 BOX KEYED GROUND | F   |
| 1    | 0100020     | AR  | Sealant, Pipe  |     |
| 2    | 0275454     | 1   | Receptacle Box Kit (See Separate Breakdown in this Section)            |     |
| 3    | 0700408     | 4   | Bolt M4 x 16   |     |
| 4    | 3290405     | 4   | Nut M4   |     |
| 5    | 1001101197  | 1   | Adapter  |     |
| 6    | 4811400     | 8   | Washer M4  |     |
| 7    | 1001101191  | 1   | Connector, Strain Relief   |     |
| 8    | 0641416     | 2   | Bolt 1/4 x 2   |     |
| 9    | 3311405     | 2   | Nut 1/4  |     |
| 10   | 4711400     | 4   | Washer 1/4   |     |
| 11   | 1001193018  | 1   | Bracket  |     |
| 12   | 3251242     | 2   | Decal - 240V/50Hz  |     |
| 13   | 1001205958  | 3   | Terminal (Not Shown)   |     |

# SECTION 8 - ELECTRICAL

FIGURE 8-18. AC BOX AT PLATFORM INSTALLATION - 220V AFSINT 107 KEYED GROUND (2X4 BOX) WITH 2500W GENERATOR (CE SPECS)



ART\_1001100337



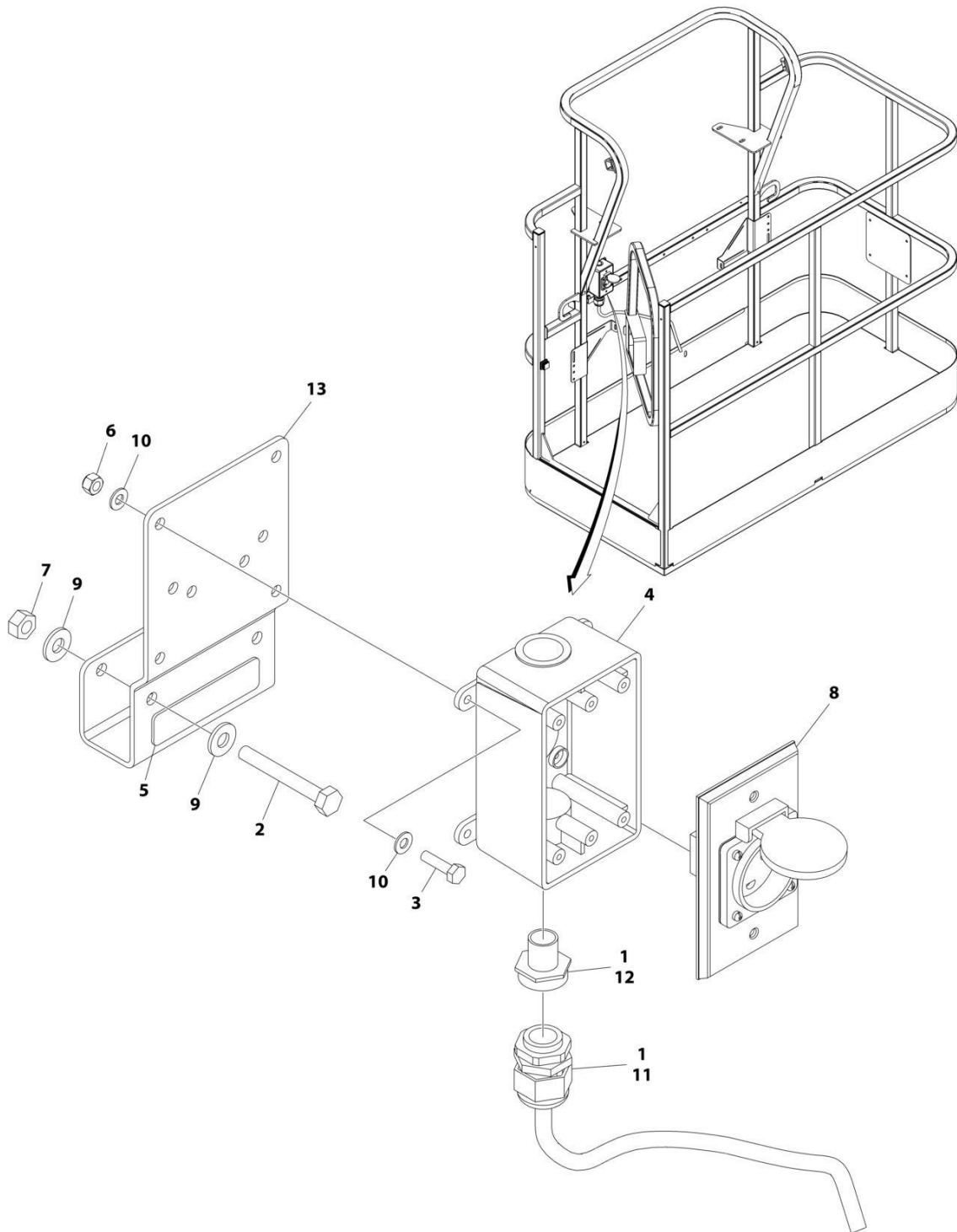
## SECTION 8 - ELECTRICAL

**FIGURE 8-18. AC BOX AT PLATFORM INSTALLATION - 220V AFSINT 107 KEYED GROUND (2X4 BOX) WITH 2500W GENERATOR (CE SPECS)**

| ITEM | PART NUMBER | QTY             | DESCRIPTION  | REV |
|------|-------------|-----------------|--|-----|
|      | 1001100337  | Ref             | AC BOX AT PLATFORM INSTALLATION - 220V AFSINT 107 2X4 BOX KEYED GROUND (2X4 BOX) | E   |
| 1    | 0100020     | AR              | Sealant, Pipe  |     |
| 3    | 0700408     | 4               | Bolt M4 x 16   |     |
| 4    | 3290405     | 4               | Nut M4   |     |
| 5    | 1001101197  | 1               | Adapter  |     |
| 6    | 4811400     | 8               | Washer M4  |     |
| 7    | 1001100346  | 1               | Receptacle Box Kit (See Separate Breakdown in this Section)                      |     |
| 8    | 1001101191  | 1               | Connector, Strain Relief   |     |
| 9    | 1060908     | 10 ft<br>/3.05m | Cable, Electrical 12/3 (Not Shown)   |     |
| 10   | 0641416     | 2               | Bolt 1/4 x 2   |     |
| 11   | 3252507     | 1               | Decal - 220V   |     |
| 12   | 3311405     | 2               | Nut 1/4  |     |
| 13   | 4711400     | 4               | Washer 1/4   |     |
| 14   | 1001193018  | 1               | Bracket  |     |
| 15   | 1001205958  | 3               | Terminal (Not Shown)   |     |

# SECTION 8 - ELECTRICAL

FIGURE 8-19. AC BOX AT PLATFORM INSTALLATION - 220V AFSINT 107 KEYED GROUND (CE SPECS) (MACHINES WITH 4000W GENERATOR)



ART\_1001206252

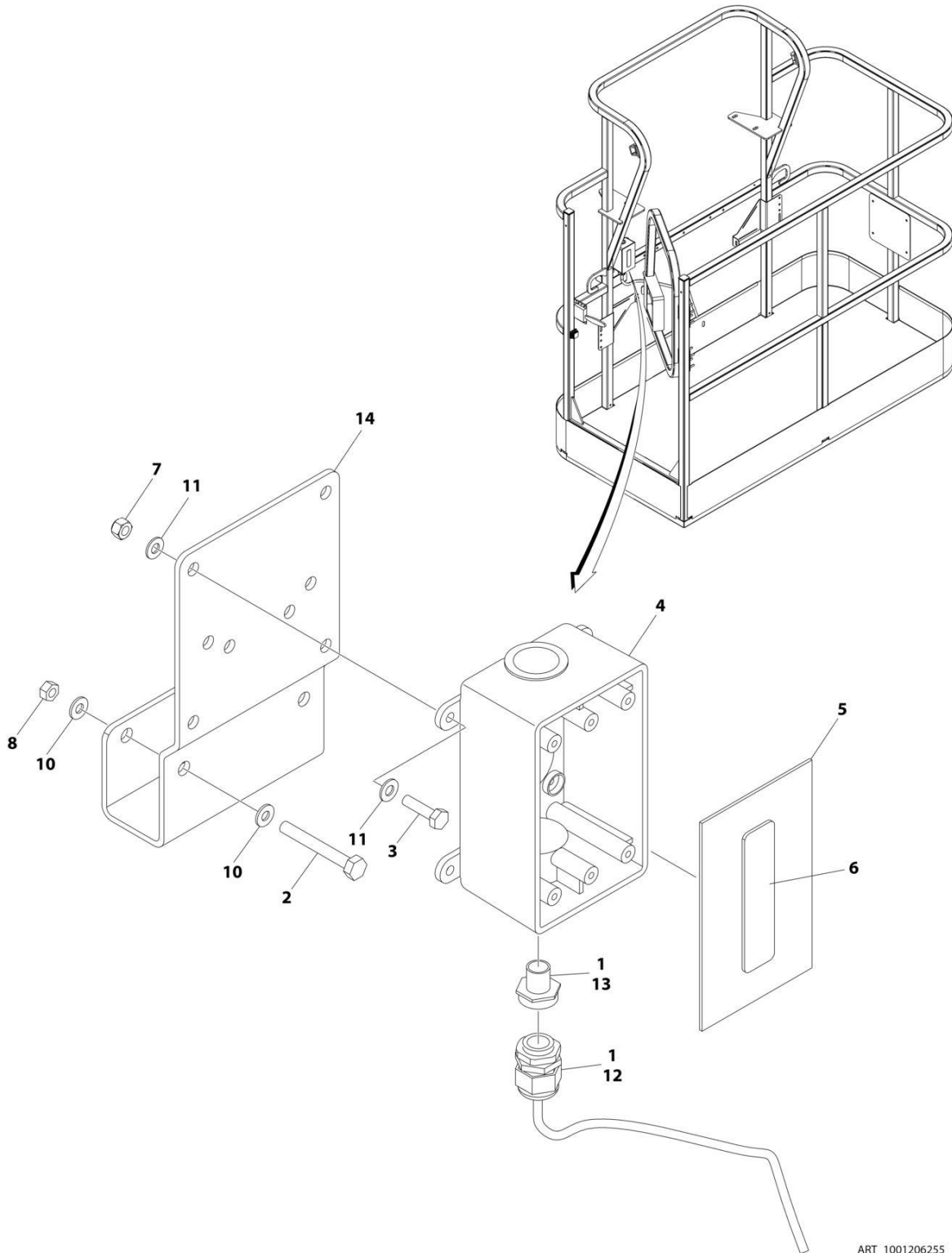
## SECTION 8 - ELECTRICAL

**FIGURE 8-19. AC BOX AT PLATFORM INSTALLATION - 220V AFSINT 107 KEYED GROUND (CE SPECS) (MACHINES WITH 4000W GENERATOR)**

| ITEM | PART NUMBER | QTY | DESCRIPTION   | REV |
|------|-------------|-----|---|-----|
|      | 1001206252  | Ref | AC BOX AT PLATFORM INSTALLATION - 220V AFSINT 107 2x4<br>BOX KEYED GROUND | A   |
| 1    | 0100020     | AR  | Sealant, Pipe   |     |
| 2    | 0641416     | 2   | Bolt 1/4 x 2  |     |
| 3    | 0700408     | 4   | Bolt M4 x 16  |     |
| 4    | 0861731     | 1   | Box, Switch   |     |
| 5    | 3251242     | 1   | Decal - 240V/50Hz   |     |
| 6    | 3290405     | 4   | Nut M4  |     |
| 7    | 3311405     | 2   | Nut 1/4   |     |
| 8    | 4461246     | 1   | Receptacle  |     |
| 9    | 4711400     | 4   | Washer 1/4  |     |
| 10   | 4811400     | 8   | Washer M4   |     |
| 11   | 1001101191  | 1   | Connector, Strain Relief  |     |
| 12   | 1001101197  | 1   | Adapter   |     |
| 13   | 1001193018  | 1   | Bracket, AC Receptacle  |     |
| 14   | 1001205958  | 3   | Terminal (Not Shown)  |     |

# SECTION 8 - ELECTRICAL

FIGURE 8-20. AC BOX AT PLATFORM INSTALLATION - 220V (2X4 BOX & COVER ONLY - LOCALLY SUPPLIED RECEPTACLE) (4000W GENERATOR)



ART\_1001206255

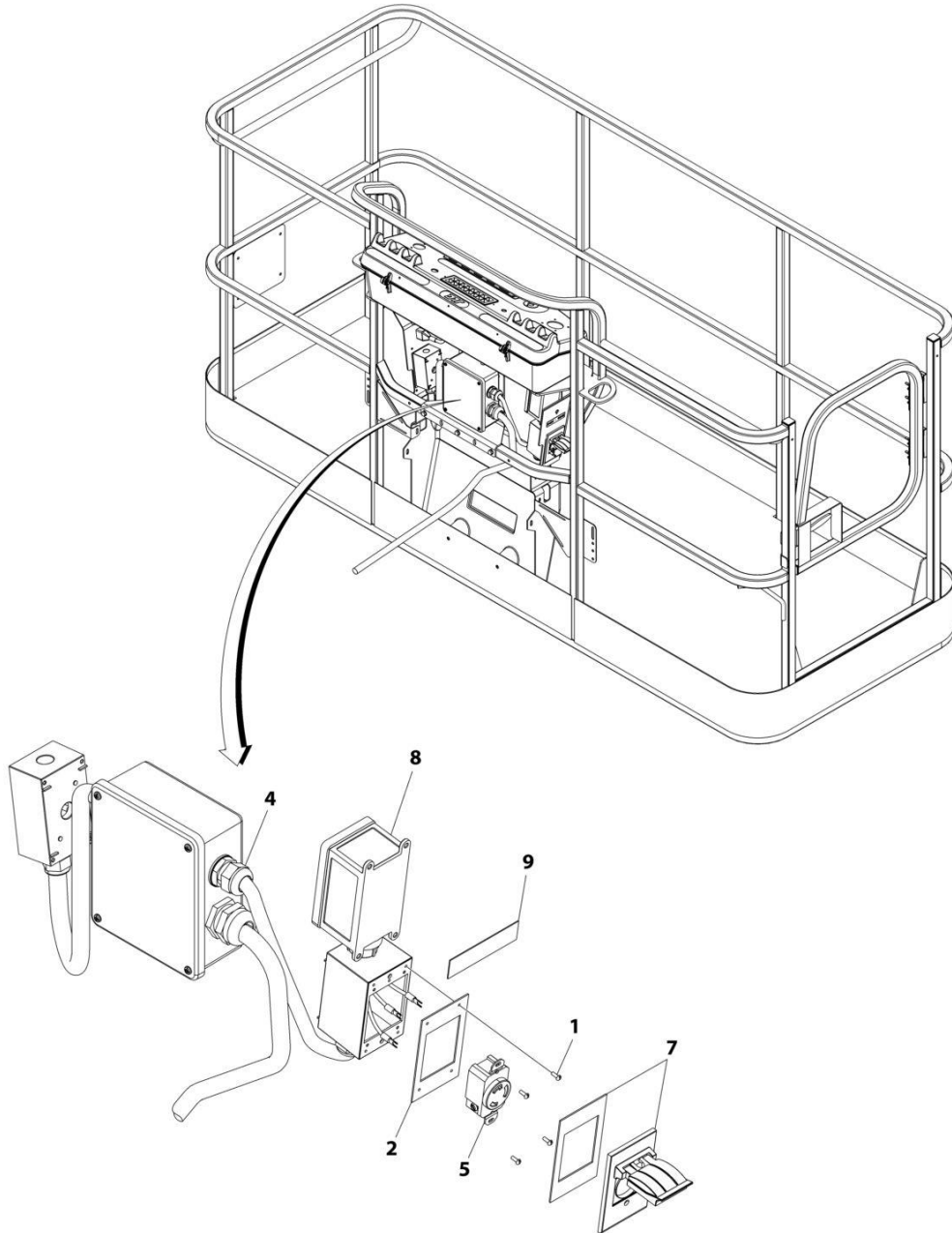
## SECTION 8 - ELECTRICAL

**FIGURE 8-20. AC BOX AT PLATFORM INSTALLATION - 220V (2X4 BOX & COVER ONLY - LOCALLY SUPPLIED RECEPTACLE) (4000W GENERATOR)**

| ITEM | PART NUMBER | QTY | DESCRIPTION   | REV |
|------|-------------|-----|---|-----|
|      | 1001206255  | Ref | AC BOX AT PLATFORM INSTALLATION - BOX WITH COVER (2X4 BOX) WITH 4000W GENERATOR | A   |
| 1    | 0100020     | AR  | Sealant, Pipe   |     |
| 2    | 0641416     | 2   | Bolt 1/4 x 2  |     |
| 3    | 0700408     | 4   | Bolt M4 x 16  |     |
| 4    | 0861731     | 1   | Box, Switch   |     |
| 5    | 1670603     | 1   | Cover   |     |
| 6    | 3251242     | 1   | Decal - 240V-50Hz   |     |
| 7    | 3290405     | 4   | Nut M4  |     |
| 8    | 3311405     | 2   | Nut 1/4   |     |
| 10   | 4711400     | 4   | Washer 1/4  |     |
| 11   | 4811400     | 8   | Washer M4   |     |
| 12   | 1001101191  | 1   | Connector, Strain Relief  |     |
| 13   | 1001101197  | 1   | Adapter   |     |
| 14   | 1001193018  | 1   | Bracket, AC Receptacle  |     |

## SECTION 8 - ELECTRICAL

**FIGURE 8-21. AC BOX AT PLATFORM INSTALLATION - 240V GFCI RECEPTACLE (ANSI, ANSI EXPORT AND CSA SPECS WITH 4000W SKYPOWER GENERATOR)**



ART\_1001171131

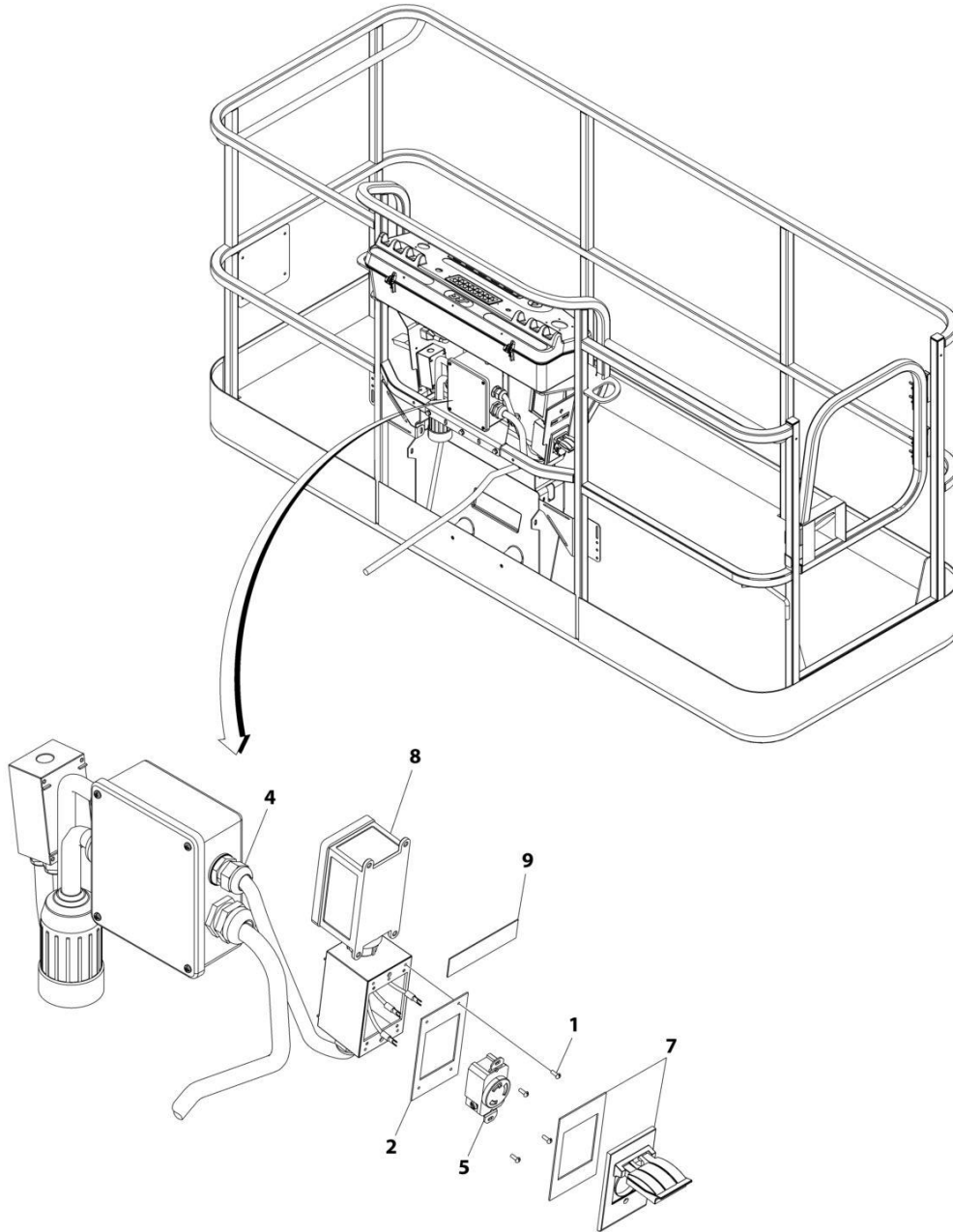
## SECTION 8 - ELECTRICAL

**FIGURE 8-21. AC BOX AT PLATFORM INSTALLATION - 240V GFCI RECEPTACLE (ANSI, ANSI EXPORT AND CSA SPECS WITH 4000W SKYPOWER GENERATOR)**

| ITEM | PART NUMBER | QTY | DESCRIPTION                                       | REV |
|------|-------------|-----|---|-----|
|      | 1001171131  | Ref | AC BOX AT PLATFORM INSTALLATION - 240V RECEPTACLE | B   |
| 1    | 3910606     | 4   | Screw 6 x 3/8                                     |     |
| 2    | 3960422     | 1   | Gasket  |     |
| 3    | 4240018     | AR  | Tie-Strap (Not Shown)                             |     |
| 4    | 4460425     | 1   | Connector, Strain Relief                          |     |
| 5    | 1001176862  | 1   | Receptacle  |     |
| 7    | 1001110872  | 1   | Cover, Receptacle                                 |     |
| 8    | 1001159120  | 1   | Receptacle/Breaker Box Assembly                   |     |
| 8    | 1001148675  | 1   | Box, Receptacle                                   |     |
| 8    | 1001159118  | 1   | Breaker Box Assembly                              |     |
| 8    | 4460612     | 1   | Connector, Strain Relief                          |     |
| 8    | 1001159119  | 1   | Connector (Between Boxes)                         |     |
| 9    | 1705374     | 1   | Decal - 240V/60Hz                                 |     |

## SECTION 8 - ELECTRICAL

FIGURE 8-22. AC BOX AT PLATFORM INSTALLATION - 240V GFCI RECEPTACLE (ANSI AND CSA SPECS WITH 7500W SKYPOWER GENERATOR)



ART\_1001159121



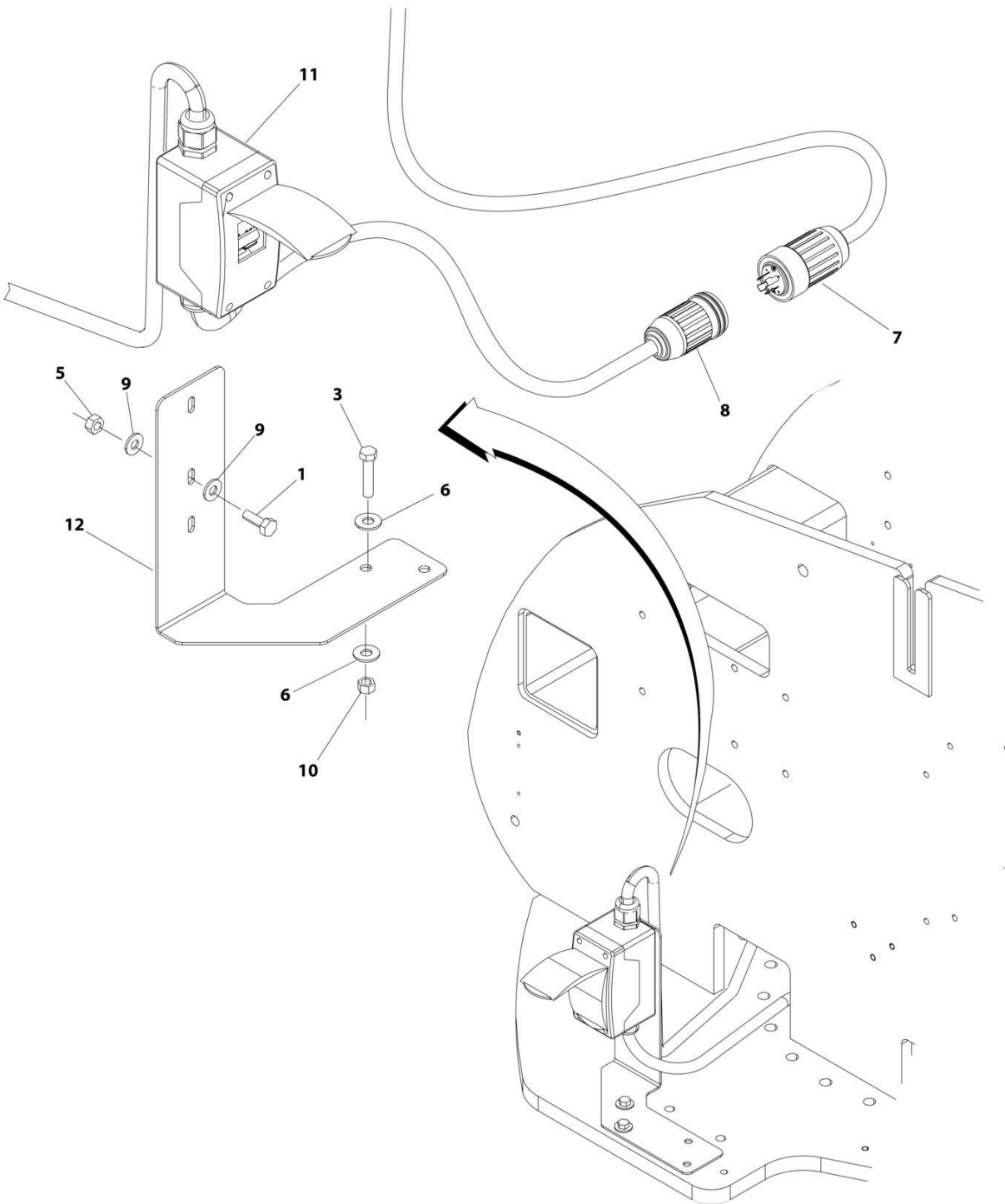
## SECTION 8 - ELECTRICAL

**FIGURE 8-22. AC BOX AT PLATFORM INSTALLATION - 240V GFCI RECEPTACLE (ANSI AND CSA SPECS WITH 7500W SKYPOWER GENERATOR)**

| ITEM | PART NUMBER | QTY | DESCRIPTION                                       | REV |
|------|-------------|-----|---|-----|
|      | 1001159121  | Ref | AC BOX AT PLATFORM INSTALLATION - 240V RECEPTACLE | B   |
| 1    | 3910606     | 4   | Screw 6 x 3/8                                     |     |
| 2    | 3960422     | 1   | Gasket  |     |
| 3    | 4240018     | AR  | Tie-Strap (Not Shown)                             |     |
| 4    | 4460425     | 1   | Connector, Strain Relief                          |     |
| 5    | 4460958     | 1   | Receptacle  |     |
| 7    | 1001110872  | 1   | Cover, Receptacle                                 |     |
| 8    | 1001159120  | 1   | Receptacle/Breaker Box Assembly                   |     |
| 8    | 1001148675  | 1   | Box, Receptacle                                   |     |
| 8    | 1001159118  | 1   | Breaker Box Assembly                              |     |
| 8    | 4460612     | 1   | Connector, Strain Relief                          |     |
| 8    | 1001159119  | 1   | Connector (Between Boxes)                         |     |
| 9    | 1705374     | 1   | Decal - 240V/60Hz                                 |     |

# SECTION 8 - ELECTRICAL

FIGURE 8-23. AC CABLE WITH 16 AMP BREAKER INSTALLATION (WITHOUT 7500W SKYPOWER GENERATOR) (CE SPECS)



ART\_1001177711

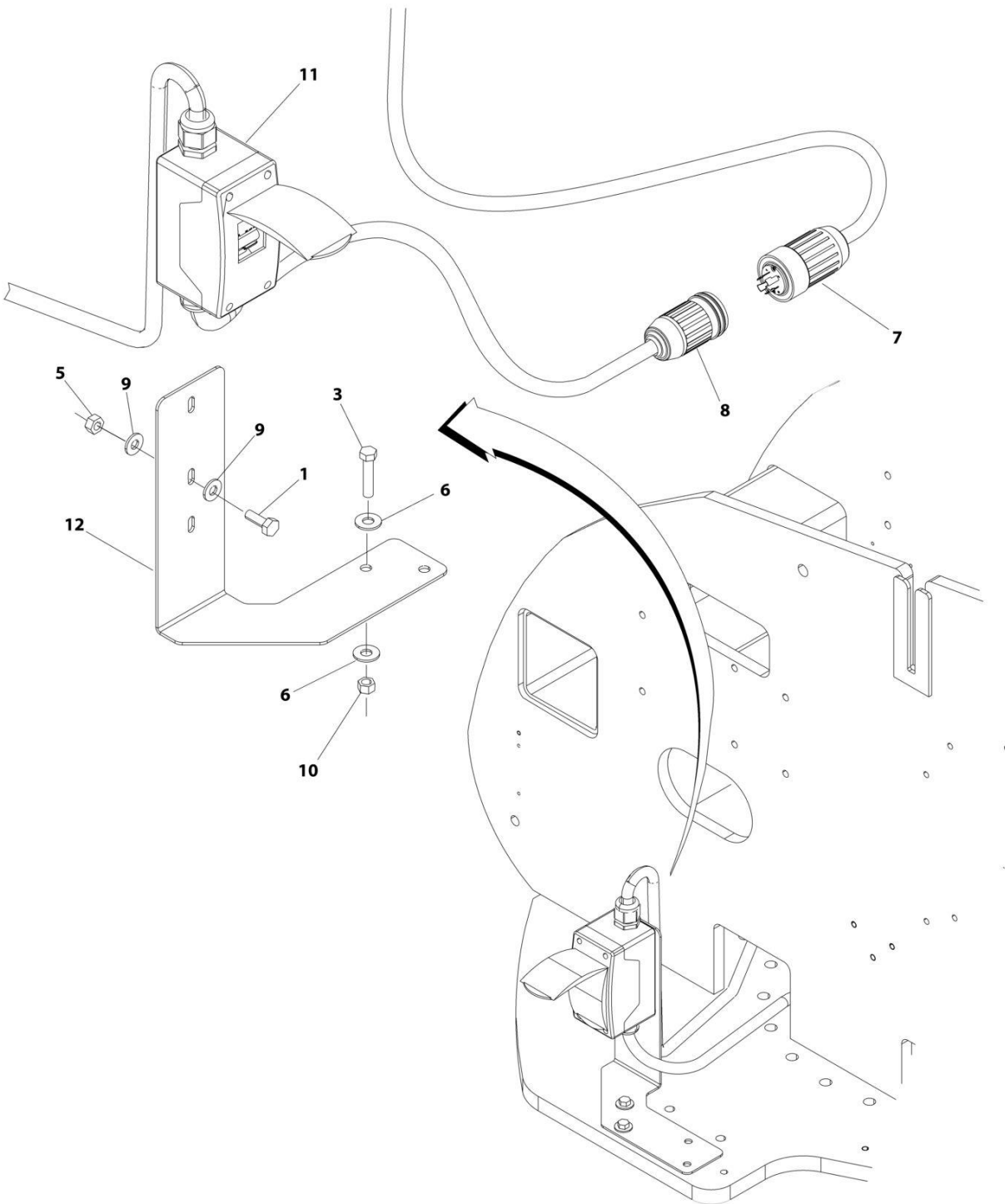
## SECTION 8 - ELECTRICAL

**FIGURE 8-23. AC CABLE WITH 16 AMP BREAKER INSTALLATION (WITHOUT 7500W SKYPOWER GENERATOR) (CE SPECS)**

| ITEM | PART NUMBER | QTY | DESCRIPTION  | REV |
|------|-------------|-----|--|-----|
|      | 1001177711  | Ref | AC CABLE WITH 16 AMP BREAKER INSTALLATION                                  | C   |
| 1    | 0641406     | 2   | Bolt 1/4 x 3/4   |     |
| 3    | 0641614     | 2   | Bolt 3/8 x 1-3/4   |     |
| 5    | 3311405     | 2   | Nut 1/4  |     |
| 6    | 3311605     | 2   | Nut 3/8  |     |
| 7    | 1001213584  | 1   | Plug, Male   |     |
| 8    | 1001213585  | 1   | Receptacle, Female   |     |
| 9    | 4711400     | 2   | Washer 1/4   |     |
| 10   | 4751600     | 2   | Washer 3/8   |     |
| 11   | 1001109654  | 1   | Breaker Box Kit - With 2 Breakers (See Separate Breakdown in this Section) |     |
| 12   | 1001177910  | 1   | Bracket  |     |

# SECTION 8 - ELECTRICAL

FIGURE 8-24. AC CABLE WITH 10 AMP BREAKER INSTALLATION (WITHOUT 7500W SKYPOWER GENERATOR) (CE SPECS)



ART\_1001177712

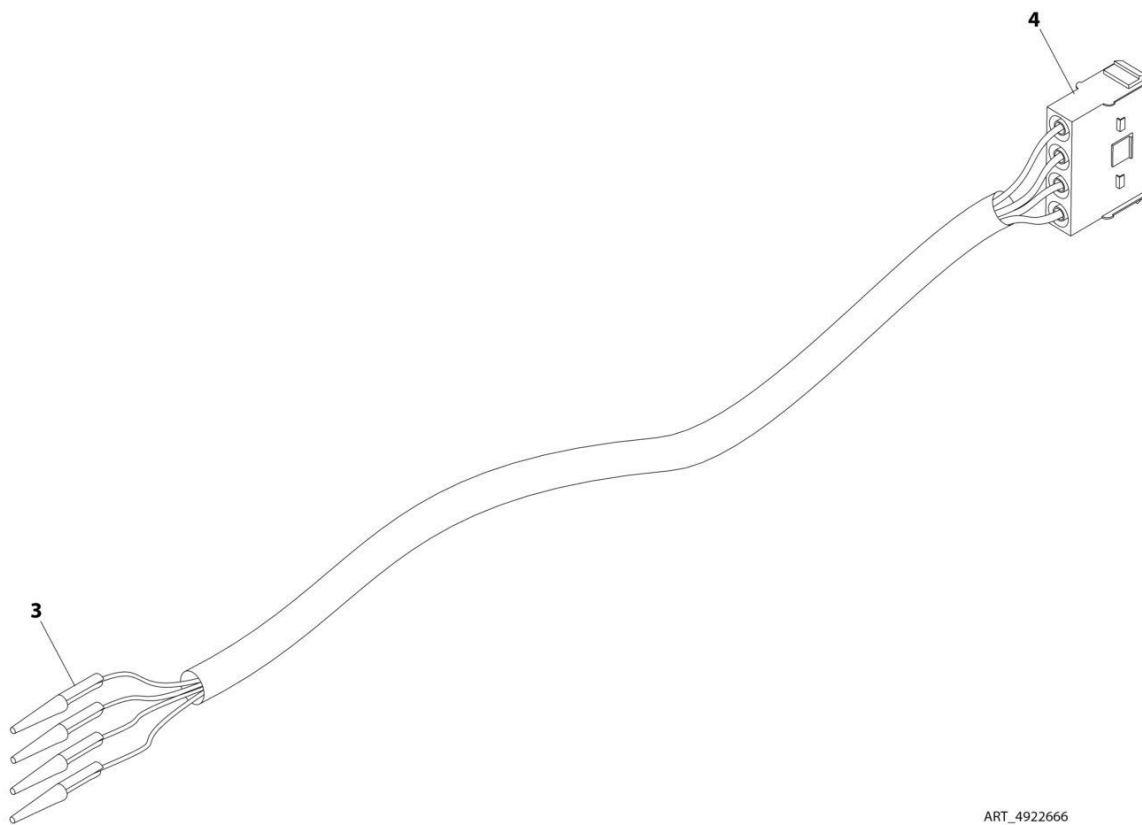
## SECTION 8 - ELECTRICAL

**FIGURE 8-24. AC CABLE WITH 10 AMP BREAKER INSTALLATION (WITHOUT 7500W SKYPOWER GENERATOR) (CE SPECS)**

| ITEM | PART NUMBER | QTY | DESCRIPTION  | REV |
|------|-------------|-----|--|-----|
|      | 1001177712  | Ref | AC CABLE WITH 10 AMP BREAKER INSTALLATION                                  | C   |
| 1    | 0641406     | 2   | Bolt 1/4 x 3/4   |     |
| 3    | 0641614     | 2   | Bolt 3/8 x 1-3/4   |     |
| 5    | 3311405     | 2   | Nut 1/4  |     |
| 6    | 3311605     | 2   | Nut 3/8  |     |
| 7    | 1001213584  | 1   | Plug, Male   |     |
| 8    | 1001213585  | 1   | Receptacle, Female   |     |
| 9    | 4711400     | 4   | Washer 1/4   |     |
| 10   | 4751600     | 4   | Washer 3/8   |     |
| 11   | 1001109648  | 1   | Breaker Box Kit - With 2 Breakers (See Separate Breakdown in this Section) |     |
| 12   | 1001177910  | 1   | Bracket  |     |

# SECTION 8 - ELECTRICAL

## FIGURE 8-25. ANALYZER CABLE HARNESS



ART\_4922666

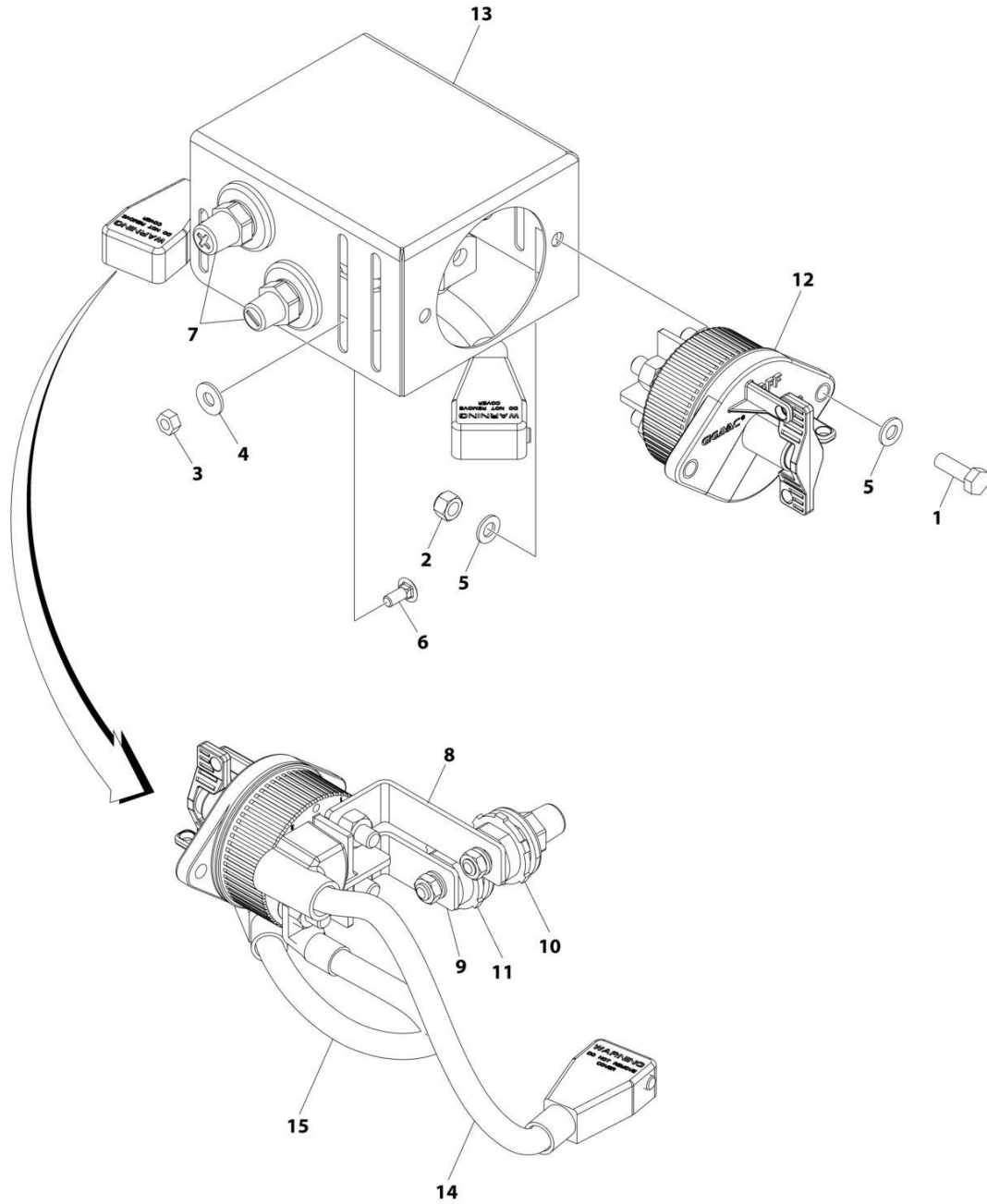
## SECTION 8 - ELECTRICAL

### FIGURE 8-25. ANALYZER CABLE HARNESS

| ITEM | PART NUMBER | QTY | DESCRIPTION            | REV |
|------|-------------|-----|------------------------|-----|
|      | 4922666     | Ref | ANALYZER CABLE HARNESS | C   |
| 3    | 4460226     | 4   | Socket, Female         |     |
| 4    | 4460761     | 1   | Connector - 4 Position |     |
| 4    | 4460227     | 4   | Pin, Male              |     |

# SECTION 8 - ELECTRICAL

## FIGURE 8-26. BATTERY DISCONNECT SWITCH INSTALLATION



ART\_1001236304



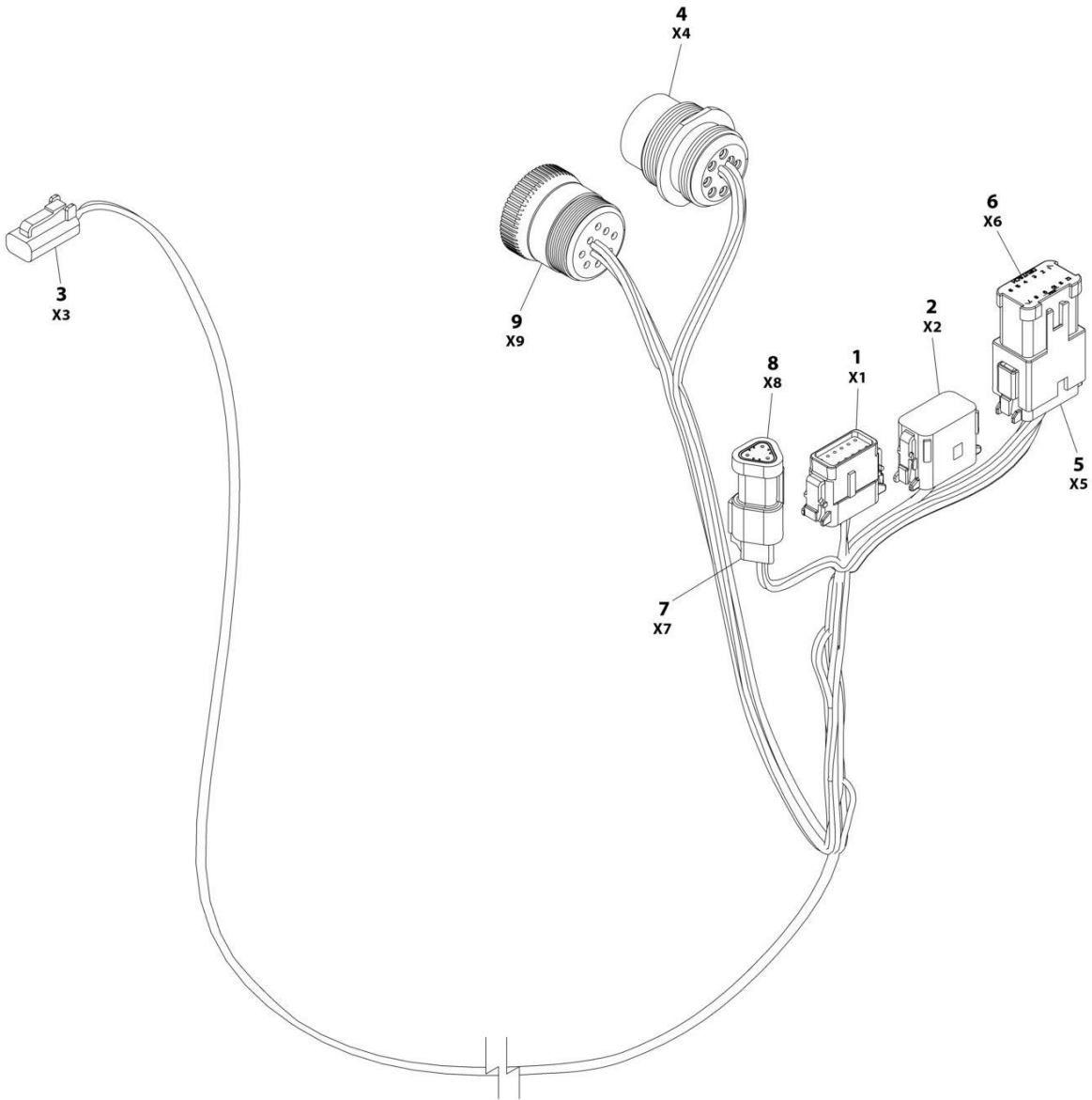
## SECTION 8 - ELECTRICAL

### FIGURE 8-26. BATTERY DISCONNECT SWITCH INSTALLATION

| ITEM | PART NUMBER | QTY | DESCRIPTION                            | REV |
|------|-------------|-----|--|-----|
|      | 1001236304  | Ref | BATTERY DISCONNECT SWITCH INSTALLATION | A   |
| 1    | 0760812     | 2   | Bolt M8 x 25                           |     |
| 2    | 3290805     | 2   | Nut M8                                 |     |
| 3    | 3311405     | 3   | Nut 1/4                                |     |
| 4    | 4751400     | 3   | Washer 1/4                             |     |
| 5    | 4811900     | 4   | Washer M8                              |     |
| 6    | 88411013    | 3   | Bolt 1/4 x 3/4                         |     |
| 7    | 1001206476  | 1   | Connectors, Post                       |     |
| 8    | 1001209432  | 1   | Bussbar                                |     |
| 9    | 1001209474  | 1   | Bussbar                                |     |
| 10   | 1001214570  | 1   | Connector (Red)                        |     |
| 11   | 1001214571  | 1   | Connector (Black)                      |     |
| 12   | 1001225346  | 1   | Switch, Battery                        |     |
| 13   | 1001226531  | 1   | Mount                                  |     |
| 14   | 1001236504  | 1   | Cable, Battery (+)                     |     |
| 15   | 1001236505  | 1   | Cable, Battery (-)                     |     |

# SECTION 8 - ELECTRICAL

## FIGURE 8-27. BEACON CONTROL HARNESS (BLUE AND RED STROBE LIGHTS)



ART\_1001142736

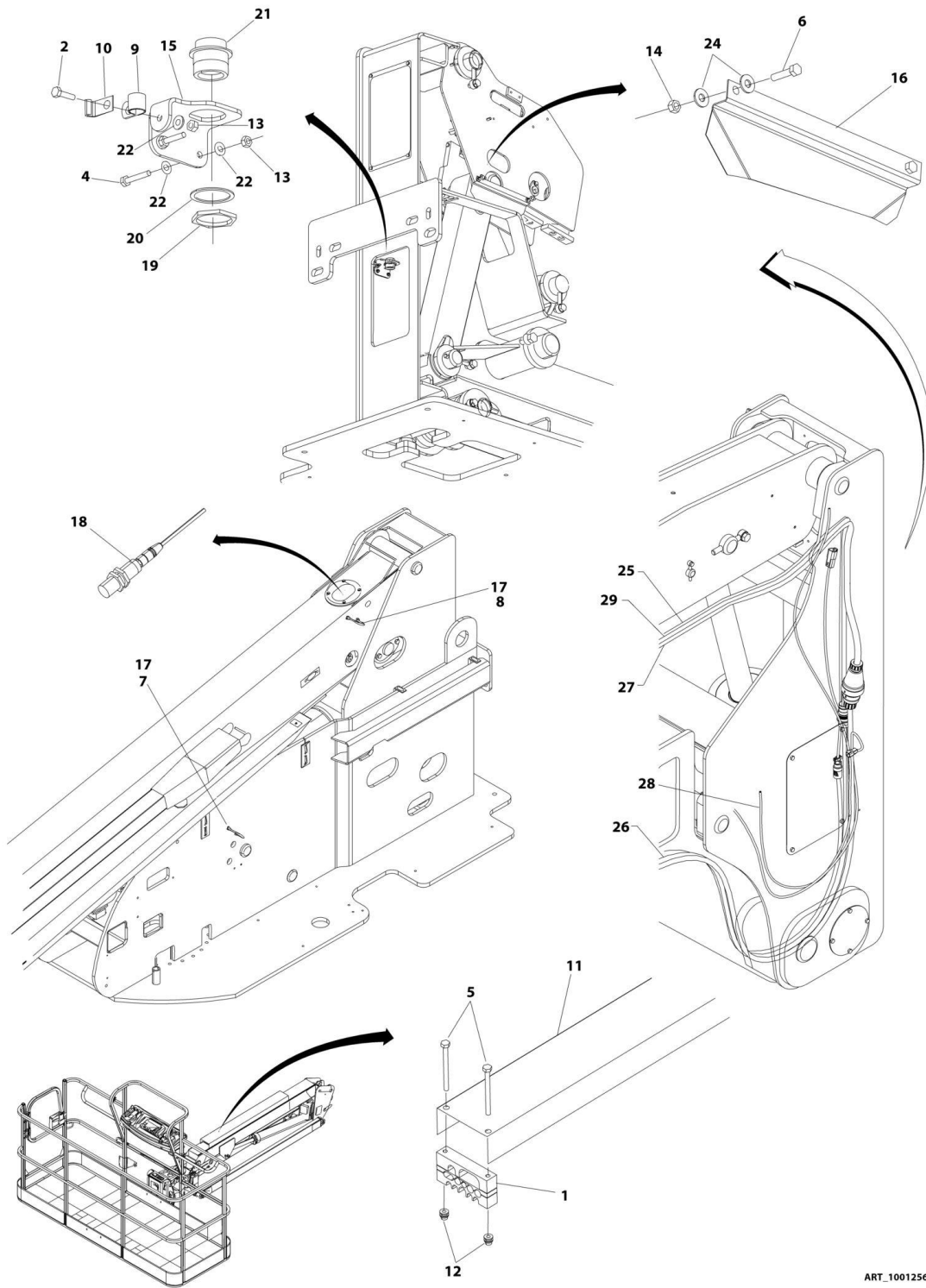
## SECTION 8 - ELECTRICAL

**FIGURE 8-27. BEACON CONTROL HARNESS (BLUE AND RED STROBE LIGHTS)**

| ITEM | PART NUMBER | QTY | DESCRIPTION              | REV |
|------|-------------|-----|--------------------------|-----|
|      | 1001142736  | Ref | BEACON                   | F   |
| 1    | 1001116808  | 1   | Plug, Male - 12 Position |     |
| 1    | 4460928     | 3   | Socket, Female           |     |
| 1    | 4460518     | 9   | Plug, Terminal           |     |
| 2    | 1001116774  | 1   | Plug, Male - 12 Position |     |
| 2    | 4460928     | 3   | Socket, Female           |     |
| 2    | 4460518     | 9   | Plug, Terminal           |     |
| 3    | 4460891     | 1   | Plug, Male - 2 Position  |     |
| 3    | 4460465     | 2   | Socket, Female           |     |
| 4    | 1001112612  | 1   | Connector - 9 Position   |     |
| 4    | 4460464     | 6   | Pin, Male                |     |
| 4    | 4460466     | 3   | Plug, Terminal           |     |
| 5    | 4460933     | 1   | Plug, Male - 12 Position |     |
| 5    | 4460465     | 12  | Socket, Female           |     |
| 6    | 1001119020  | 1   | Bussbar - 12 Position    |     |
| 7    | 4461095     | 1   | Plug, Male - 3 Position  |     |
| 7    | 4460465     | 3   | Socket, Female           |     |
| 8    | 4461070     | 1   | Bussbar - 3 Position     |     |
| 9    | 1001112796  | 1   | Connector - 9 Position   |     |
| 9    | 4460465     | 6   | Socket, Female           |     |
| 9    | 4460466     | 3   | Plug, Terminal           |     |

# SECTION 8 - ELECTRICAL

## FIGURE 8-28. BOOM CABLES INSTALLATION - 860SJ HC3 WITHOUT ARCTIC PACKAGE (ALL SPECS)



ART\_1001256191

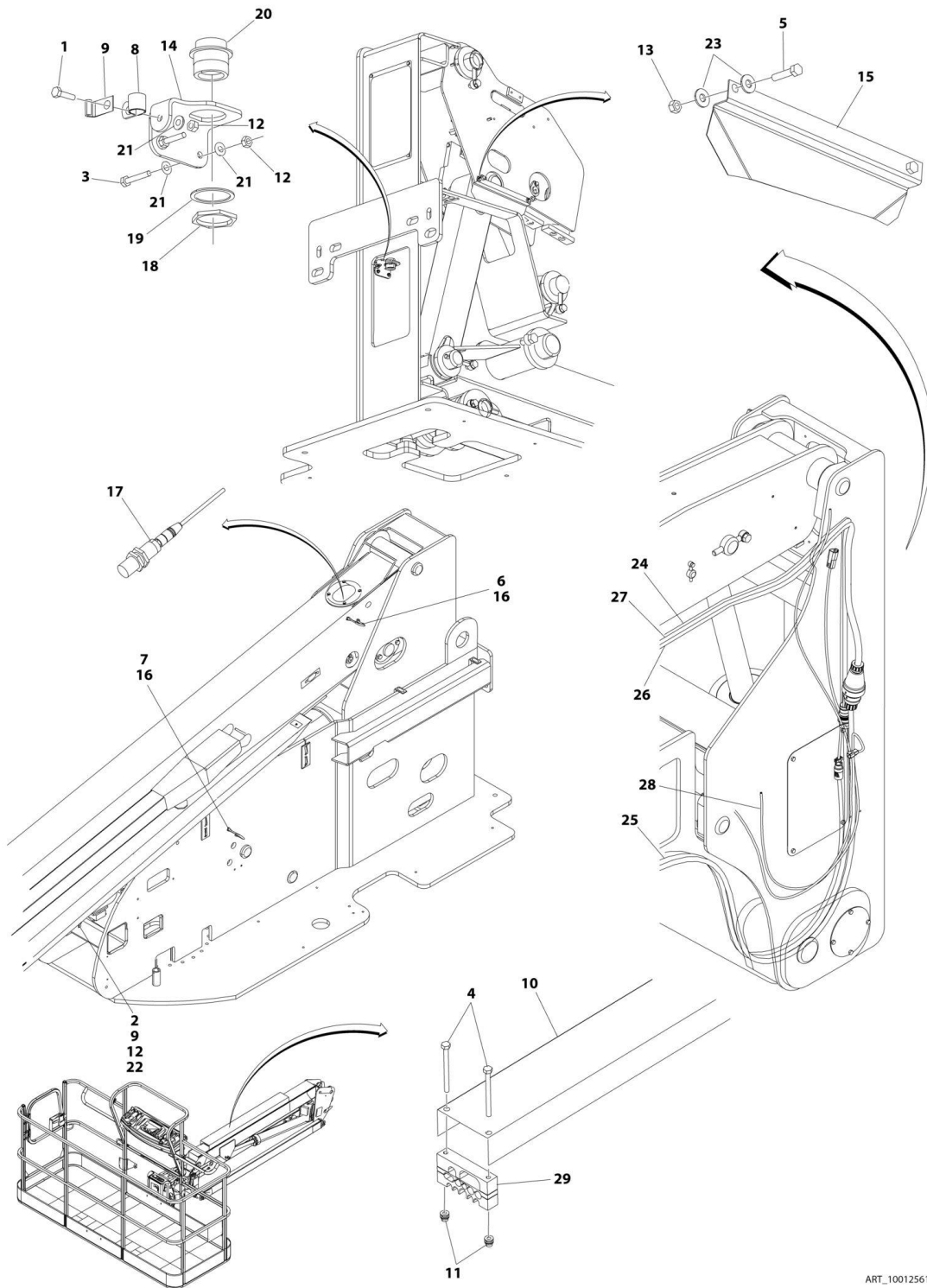
## SECTION 8 - ELECTRICAL

**FIGURE 8-28. BOOM CABLES INSTALLATION - 860SJ HC3 WITHOUT ARCTIC PACKAGE (ALL SPECS)**

| ITEM | PART NUMBER | QTY | DESCRIPTION   | REV |
|------|-------------|-----|---|-----|
|      | 1001256191  | Ref | BOOM CABLES INSTALLATION  | B   |
| 1    | 0561484     | 2   | Block, Clamp  |     |
| 2    | 0641408     | 1   | Bolt 1/4 x 1  |     |
| 3    | 0641410     | 1   | Bolt 1/4 x 1-1/4  |     |
| 4    | 0641412     | 2   | Bolt 1/4 x 1-1/2  |     |
| 5    | 0641424     | 4   | Bolt 1/4 x 3  |     |
| 6    | 0641511     | 2   | Bolt 5/16 x 1-3/8   |     |
| 7    | 0641604     | 2   | Bolt 3/8 x 1/2  |     |
| 8    | 0641607     | 2   | Bolt 3/8 x 7/8  |     |
| 9    | 1320061     | 1   | Clamp   |     |
| 10   | 1320223     | 2   | Clamp   |     |
| 11   | 1671034     | 1   | Cover   |     |
| 12   | 2080044     | 4   | Rivnut  |     |
| 13   | 3311405     | 4   | Nut 1/4   |     |
| 14   | 3311505     | 2   | Nut 5/16  |     |
| 15   | 3573047     | 1   | Plate   |     |
| 16   | 3573296     | 1   | Plate   |     |
| 17   | 3841340     | 2   | Rod   |     |
| 18   | 4360506     | 1   | Switch, Proximity   |     |
| 19   | 4460470     | 1   | Nut, Terminal   |     |
| 20   | 4460471     | 1   | Washer, Terminal  |     |
| 21   | 4460866     | 1   | Connector - 19 Pin  |     |
| 22   | 4711400     | 5   | Washer 1/4  |     |
| 23   | 4751400     | 1   | Washer 1/4  |     |
| 24   | 4751500     | 4   | Washer 5/16   |     |
| 25   | 4922567     | 1   | Harness Assembly - Main Boom (See Separate Breakdown in this Section)             |     |
| 26   | 4922569     | 1   | Harness Assembly - Tower Boom (See Separate Breakdown in this Section)            |     |
| 27   | 4922660     | 1   | Holding Valve/Lift Dump Harness Assembly (See Separate Breakdown in this Section) |     |
| 28   | 4922876     | 1   | AC Cable, 10/3 (Tower Boom)   |     |
| 29   | 4922878     | 1   | AC Cable, 10/3 (Main Boom)  |     |

# SECTION 8 - ELECTRICAL

FIGURE 8-29. BOOM CABLES INSTALLATION - 860SJ HC3 WITH ARCTIC PACKAGE (ANSI, ANSI EXPORT AND CSA SPECS)



ART\_1001256193

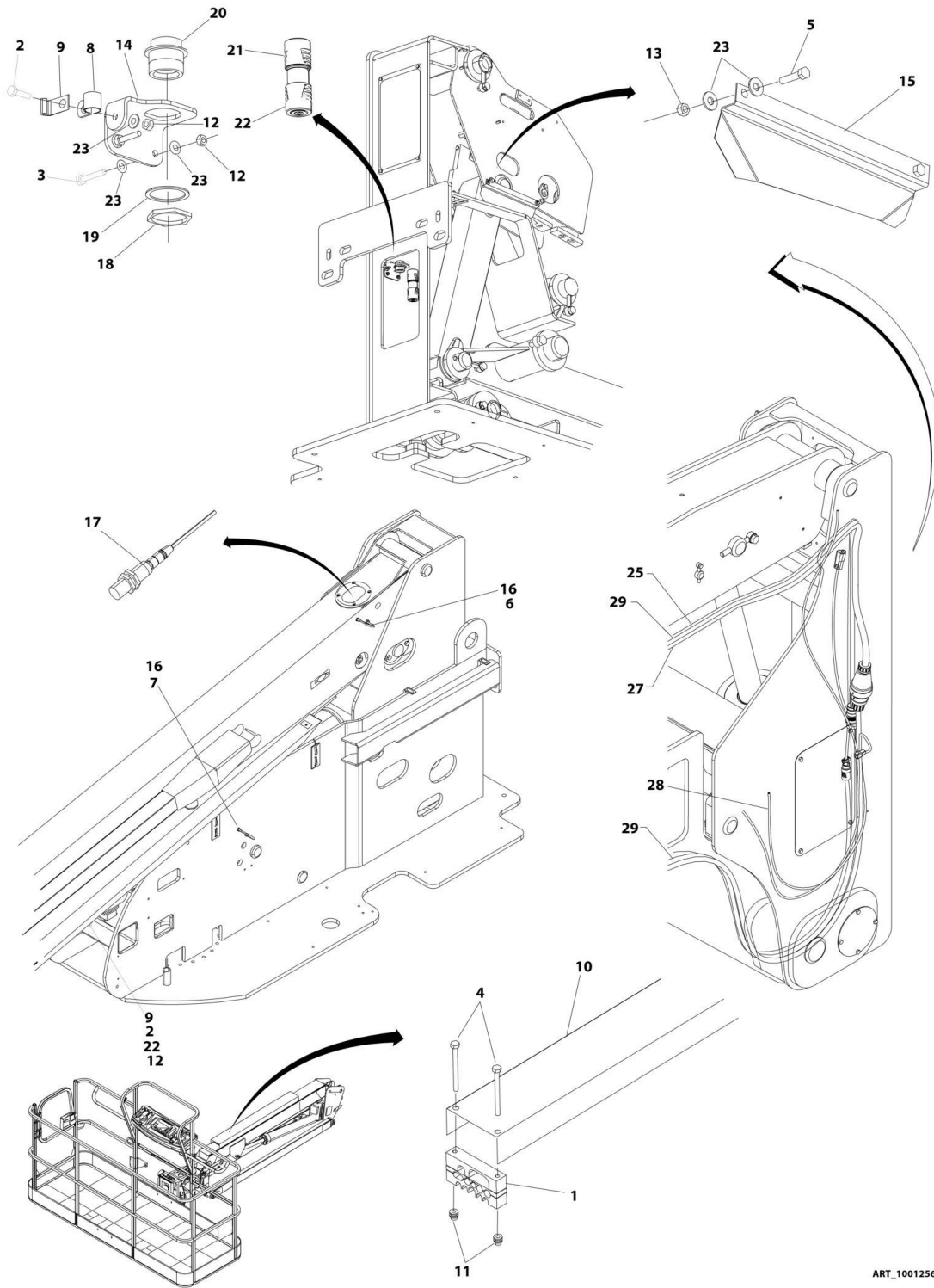
## SECTION 8 - ELECTRICAL

**FIGURE 8-29. BOOM CABLES INSTALLATION - 860SJ HC3 WITH ARCTIC PACKAGE (ANSI, ANSI EXPORT AND CSA SPECS)**

| ITEM | PART NUMBER | QTY | DESCRIPTION   | REV |
|------|-------------|-----|---|-----|
|      | 1001256193  | Ref | BOOM CABLES INSTALLATION  | A   |
| 1    | 0641408     | 1   | Bolt 1/4 x 1  |     |
| 2    | 0641410     | 1   | Bolt 1/4 x 1-1/4  |     |
| 3    | 0641412     | 2   | Bolt 1/4 x 1-1/2  |     |
| 4    | 0641424     | 4   | Bolt 1/4 x 3  |     |
| 5    | 0641511     | 2   | Bolt 5/16 x 1-3/8   |     |
| 6    | 0641604     | 2   | Bolt 3/8 x 1/2  |     |
| 7    | 0641607     | 2   | Bolt 3/8 x 7/8  |     |
| 8    | 1320061     | 1   | Clamp   |     |
| 9    | 1320223     | 2   | Clamp   |     |
| 10   | 1671034     | 1   | Cover   |     |
| 11   | 2080044     | 4   | Rivnut  |     |
| 12   | 3311405     | 4   | Nut 1/4   |     |
| 13   | 3311505     | 2   | Nut 5/16  |     |
| 14   | 3573047     | 1   | Plate   |     |
| 15   | 3573296     | 1   | Plate   |     |
| 16   | 3841340     | 2   | Rod   |     |
| 17   | 4360506     | 1   | Switch, Proximity   |     |
| 18   | 4460470     | 1   | Nut, Terminal   |     |
| 19   | 4460471     | 1   | Washer, Terminal  |     |
| 20   | 4460866     | 1   | Connector - 19 Pin  |     |
| 21   | 4711400     | 5   | Washer 1/4  |     |
| 22   | 4751400     | 1   | Washer 1/4  |     |
| 23   | 4751500     | 4   | Washer 5/16   |     |
| 24   | 4923595     | 1   | Harness Assembly - Main Boom (See Separate Breakdown in this Section)             |     |
| 25   | 4923596     | 1   | Harness Assembly - Tower Boom (See Separate Breakdown in this Section)            |     |
| 26   | 4923597     | 1   | Holding Valve/Lift Dump Harness Assembly (See Separate Breakdown in this Section) |     |
| 27   | 4923600     | 1   | AC Cable, 10/3 (Main Boom)  |     |
| 28   | 4923601     | 1   | AC Cable, 10/3 (Tower Boom)   |     |
| 29   | 1001091472  | 2   | Block, Clamp  |     |

# SECTION 8 - ELECTRICAL

## FIGURE 8-30. BOOM CABLES INSTALLATION - 860SJ HC3 WITH 4000W GENERATOR AND WITHOUT ARCTIC PACKAGE (ANSI, ANSI EXPORT, CSA AND JAPANESE SPECS)



ART\_1001256199



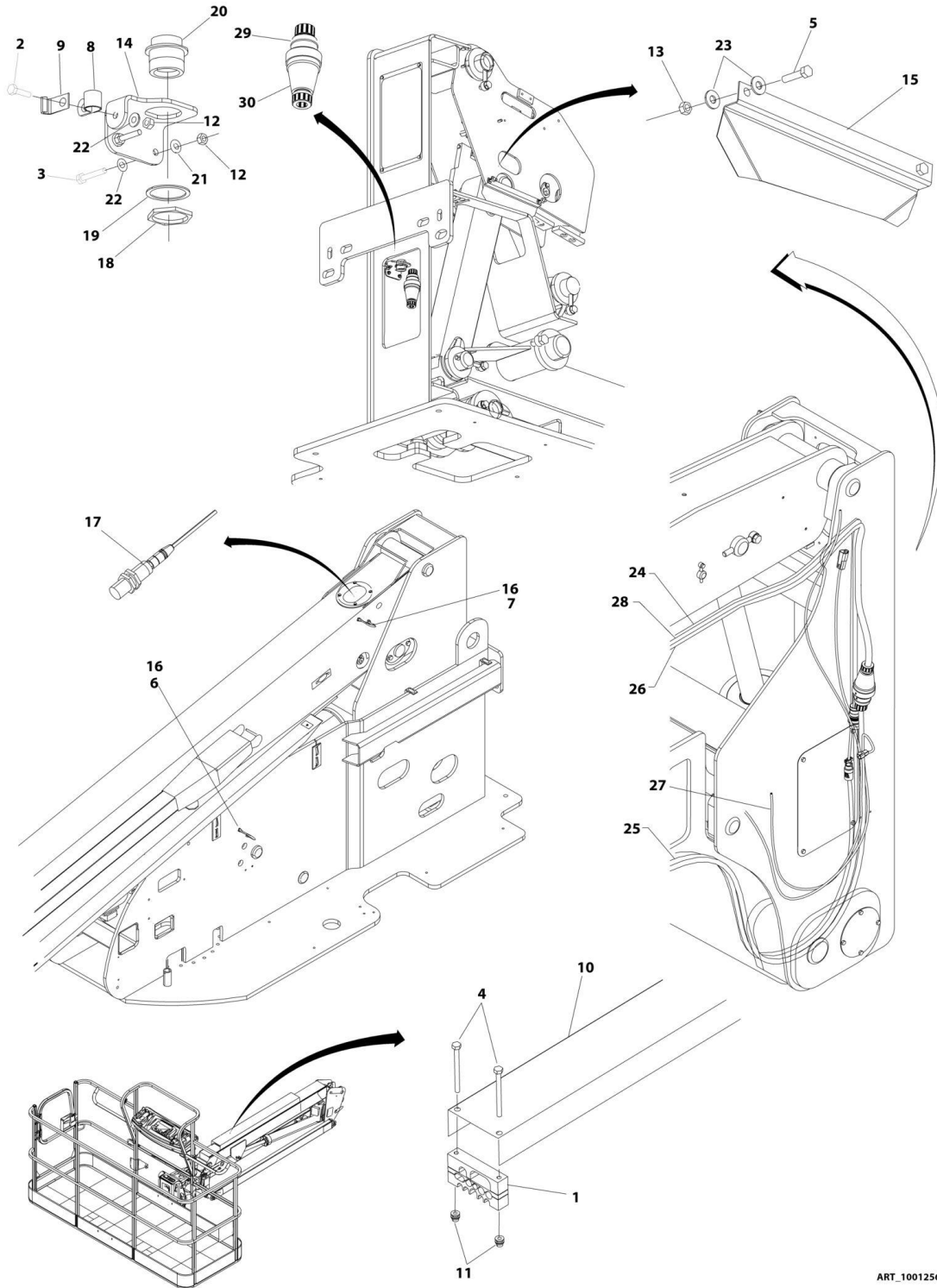
## SECTION 8 - ELECTRICAL

**FIGURE 8-30. BOOM CABLES INSTALLATION - 860SJ HC3 WITH 4000W GENERATOR AND WITHOUT ARCTIC PACKAGE (ANSI, ANSI EXPORT, CSA AND JAPANESE SPECS)**

| ITEM | PART NUMBER | QTY | DESCRIPTION   | REV |
|------|-------------|-----|---|-----|
|      | 1001256199  | Ref | BOOM CABLES INSTALLATION  | A   |
| 1    | 0561484     | 2   | Block, Clamp  |     |
| 2    | 0641408     | 1   | Bolt 1/4 x 1  |     |
| 3    | 0641412     | 2   | Bolt 1/4 x 1-1/2  |     |
| 4    | 0641424     | 4   | Bolt 1/4 x 3  |     |
| 5    | 0641511     | 2   | Bolt 5/16 x 1-3/8   |     |
| 6    | 0641604     | 2   | Bolt 3/8 x 1/2  |     |
| 7    | 0641607     | 2   | Bolt 3/8 x 7/8  |     |
| 8    | 1320041     | 1   | Clamp   |     |
| 9    | 1320061     | 1   | Clamp   |     |
| 10   | 1671034     | 1   | Cover   |     |
| 11   | 2080044     | 4   | Rivnut  |     |
| 12   | 3311405     | 3   | Nut 1/4   |     |
| 13   | 3311505     | 2   | Nut 5/16  |     |
| 14   | 3573047     | 1   | Plate   |     |
| 15   | 3573296     | 1   | Plate   |     |
| 16   | 3841340     | 2   | Rod   |     |
| 17   | 4360506     | 1   | Switch, Proximity   |     |
| 18   | 4460470     | 1   | Nut, Terminal   |     |
| 19   | 4460471     | 1   | Washer, Terminal  |     |
| 20   | 4460866     | 1   | Connector - 19 Pin  |     |
| 21   | 4460959     | 1   | Terminal, Turnlock Plug   |     |
| 22   | 4460960     | 1   | Terminal, Turnlock Connector  |     |
| 23   | 4711400     | 5   | Washer 1/4  |     |
| 24   | 4751500     | 4   | Washer 5/16   |     |
| 25   | 4922567     | 1   | Harness Assembly - Main Boom (See Separate Breakdown in this Section)             |     |
| 26   | 4922569     | 1   | Harness Assembly - Tower Boom (See Separate Breakdown in this Section)            |     |
| 27   | 4922660     | 1   | Holding Valve/Lift Dump Harness Assembly (See Separate Breakdown in this Section) |     |
| 28   | 1001156425  | 1   | AC Cable, 10/4 (Tower Boom)   |     |
| 29   | 1001156427  | 1   | AC Cable, 10/4 (Main Boom)  |     |

# SECTION 8 - ELECTRICAL

## FIGURE 8-31. BOOM CABLES INSTALLATION - 860SJ HC3 WITH 7500W GENERATOR AND WITHOUT ARCTIC PACKAGE (ALL SPECS)



ART\_1001256197

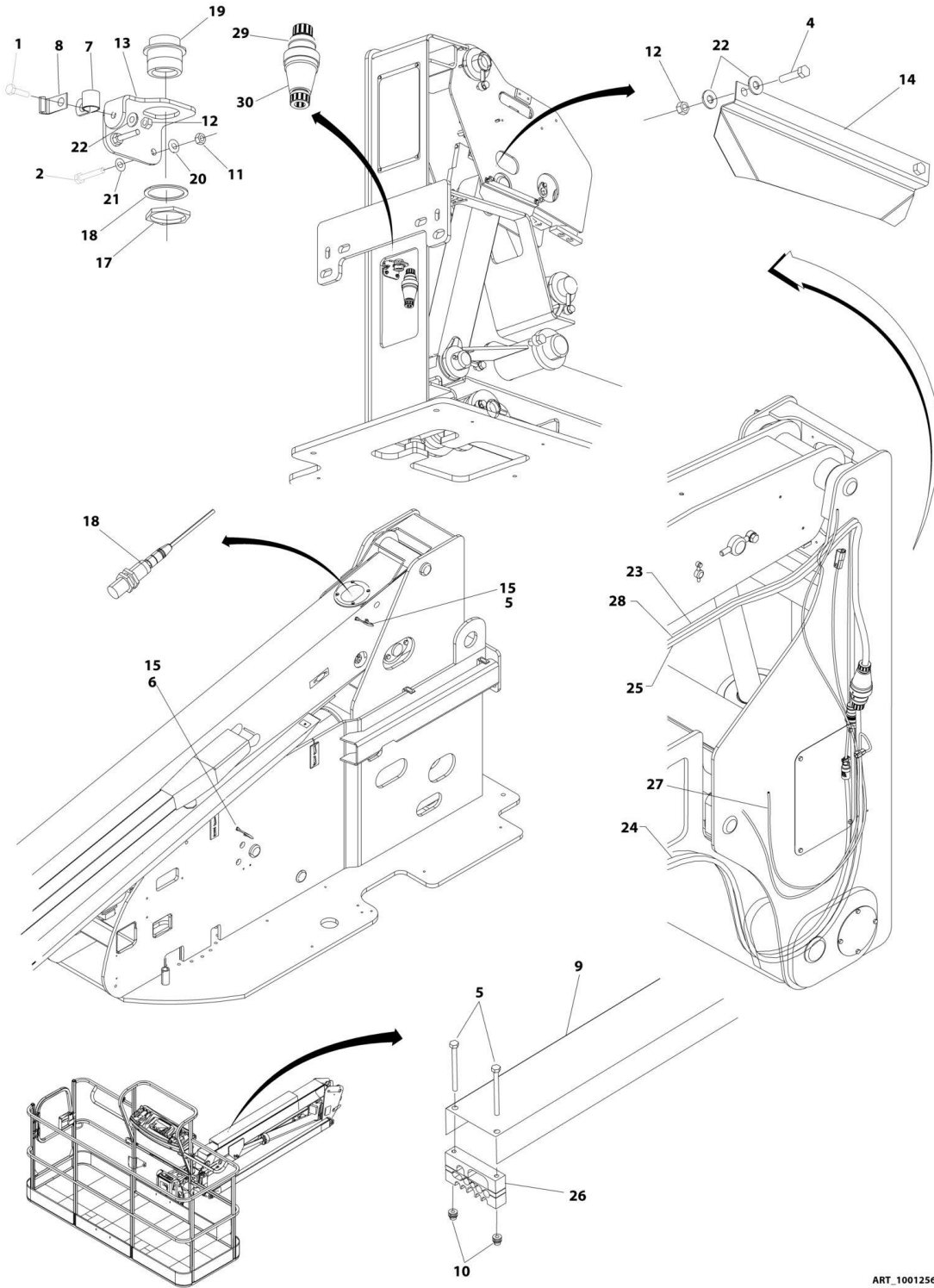
## SECTION 8 - ELECTRICAL

**FIGURE 8-31. BOOM CABLES INSTALLATION - 860SJ HC3 WITH 7500W GENERATOR AND WITHOUT ARCTIC PACKAGE (ALL SPECS)**

| ITEM | PART NUMBER | QTY | DESCRIPTION   | REV |
|------|-------------|-----|---|-----|
|      | 1001256197  | Ref | BOOM CABLES INSTALLATION  | A   |
| 1    | 0561484     | 2   | Block, Clamp  |     |
| 2    | 0641408     | 1   | Bolt 1/4 x 1  |     |
| 3    | 0641412     | 2   | Bolt 1/4 x 1-1/2  |     |
| 4    | 0641424     | 4   | Bolt 1/4 x 3  |     |
| 5    | 0641511     | 2   | Bolt 5/16 x 1-3/8   |     |
| 6    | 0641604     | 2   | Bolt 3/8 x 1/2  |     |
| 7    | 0641607     | 2   | Bolt 3/8 x 7/8  |     |
| 8    | 1320061     | 1   | Clamp   |     |
| 9    | 1320202     | 1   | Clamp   |     |
| 10   | 1671034     | 1   | Cover   |     |
| 11   | 2080044     | 4   | Rivnut  |     |
| 12   | 3311405     | 3   | Nut 1/4   |     |
| 13   | 3311505     | 2   | Nut 5/16  |     |
| 14   | 3573047     | 1   | Plate   |     |
| 15   | 3573296     | 1   | Plate   |     |
| 16   | 3841340     | 2   | Rod   |     |
| 17   | 4360506     | 1   | Switch, Proximity   |     |
| 18   | 4460470     | 1   | Nut, Terminal   |     |
| 19   | 4460471     | 1   | Washer, Terminal  |     |
| 20   | 4460866     | 1   | Connector - 19 Pin  |     |
| 21   | 4711400     | 5   | Washer 1/4  |     |
| 22   | 4751400     | 1   | Washer 1/4  |     |
| 23   | 4751500     | 4   | Washer 5/16   |     |
| 24   | 4922567     | 1   | Harness Assembly - Main Boom (See Separate Breakdown in this Section)             |     |
| 25   | 4922569     | 1   | Harness Assembly - Tower Boom (See Separate Breakdown in this Section)            |     |
| 26   | 4922660     | 1   | Holding Valve/Lift Dump Harness Assembly (See Separate Breakdown in this Section) |     |
| 27   | 1001121669  | 1   | AC Cable, 8/5 (Tower Boom)  |     |
| 28   | 1001121671  | 1   | AC Cable, 8/5 (Main Boom)   |     |
| 29   | 1001218622  | 1   | Terminal, Turnlock Plug   |     |
| 30   | 1001218623  | 1   | Terminal, Turnlock Connector  |     |

# SECTION 8 - ELECTRICAL

**FIGURE 8-32. BOOM CABLES INSTALLATION - 860SJ HC3 WITH 7500W GENERATOR AND WITH ARCTIC PACKAGE (ANSI, ANSI EXPOERT AND CSA SPECS)**



ART\_1001256195

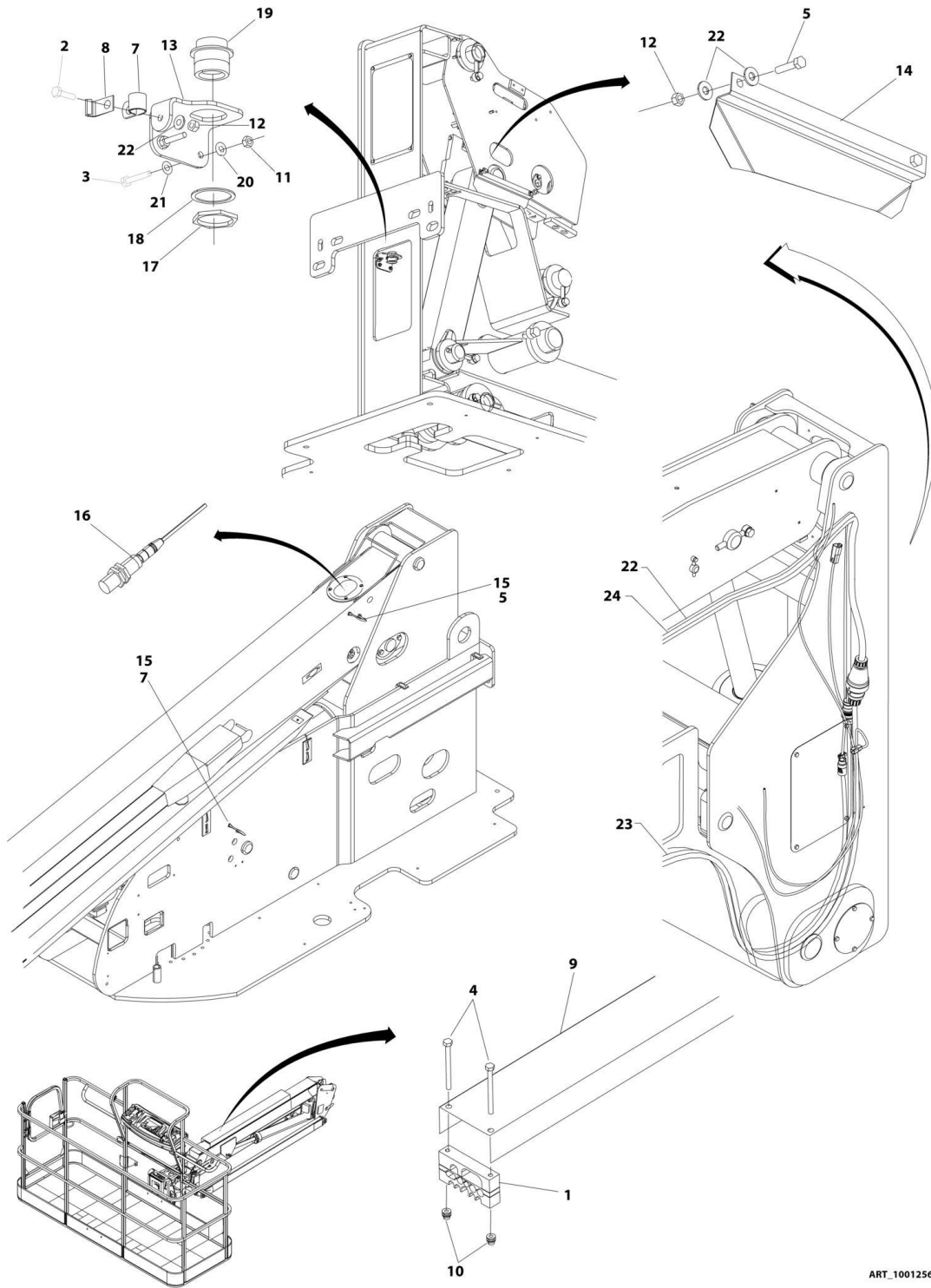
## SECTION 8 - ELECTRICAL

**FIGURE 8-32. BOOM CABLES INSTALLATION - 860SJ HC3 WITH 7500W GENERATOR AND WITH ARCTIC PACKAGE (ANSI, ANSI EXPOERT AND CSA SPECS)**

| ITEM | PART NUMBER | QTY | DESCRIPTION   | REV |
|------|-------------|-----|---|-----|
|      | 1001256195  | Ref | BOOM CABLES INSTALLATION  | A   |
| 1    | 0641408     | 1   | Bolt 1/4 x 1  |     |
| 2    | 0641412     | 2   | Bolt 1/4 x 1-1/2  |     |
| 3    | 0641424     | 4   | Bolt 1/4 x 3  |     |
| 4    | 0641511     | 2   | Bolt 5/16 x 1-3/8   |     |
| 5    | 0641604     | 2   | Bolt 3/8 x 1/2  |     |
| 6    | 0641607     | 2   | Bolt 3/8 x 7/8  |     |
| 7    | 1320061     | 1   | Clamp   |     |
| 8    | 1320202     | 1   | Clamp   |     |
| 9    | 1671034     | 1   | Cover   |     |
| 10   | 2080044     | 4   | Rivnut  |     |
| 11   | 3311405     | 3   | Nut 1/4   |     |
| 12   | 3311505     | 2   | Nut 5/16  |     |
| 13   | 3573047     | 1   | Plate   |     |
| 14   | 3573296     | 1   | Plate   |     |
| 15   | 3841340     | 2   | Rod   |     |
| 16   | 4360506     | 1   | Switch, Proximity   |     |
| 17   | 4460470     | 1   | Nut, Terminal   |     |
| 18   | 4460471     | 1   | Washer, Terminal  |     |
| 19   | 4460866     | 1   | Connector - 19 Pin  |     |
| 20   | 4711400     | 5   | Washer 1/4  |     |
| 21   | 4751400     | 1   | Washer 1/4  |     |
| 22   | 4751500     | 4   | Washer 5/16   |     |
| 23   | 4923595     | 1   | Harness Assembly - Main Boom (See Separate Breakdown in this Section)             |     |
| 24   | 4923596     | 1   | Harness Assembly - Tower Boom (See Separate Breakdown in this Section)            |     |
| 25   | 4923597     | 1   | Holding Valve/Lift Dump Harness Assembly (See Separate Breakdown in this Section) |     |
| 26   | 1001091472  | 2   | Block, Clamp  |     |
| 27   | 1001121669  | 1   | AC Cable, 8/5 (Tower Boom)  |     |
| 28   | 1001121671  | 1   | AC Cable, 8/5 (Main Boom)   |     |
| 29   | 1001218622  | 1   | Terminal, Turnlock Plug   |     |
| 30   | 1001218623  | 1   | Terminal, Turnlock Connector  |     |

# SECTION 8 - ELECTRICAL

## FIGURE 8-33. BOOM CABLES INSTALLATION - 860SJ HC3 WITHOUT AC CABLES (CHINA SPECS)



ART\_1001256201

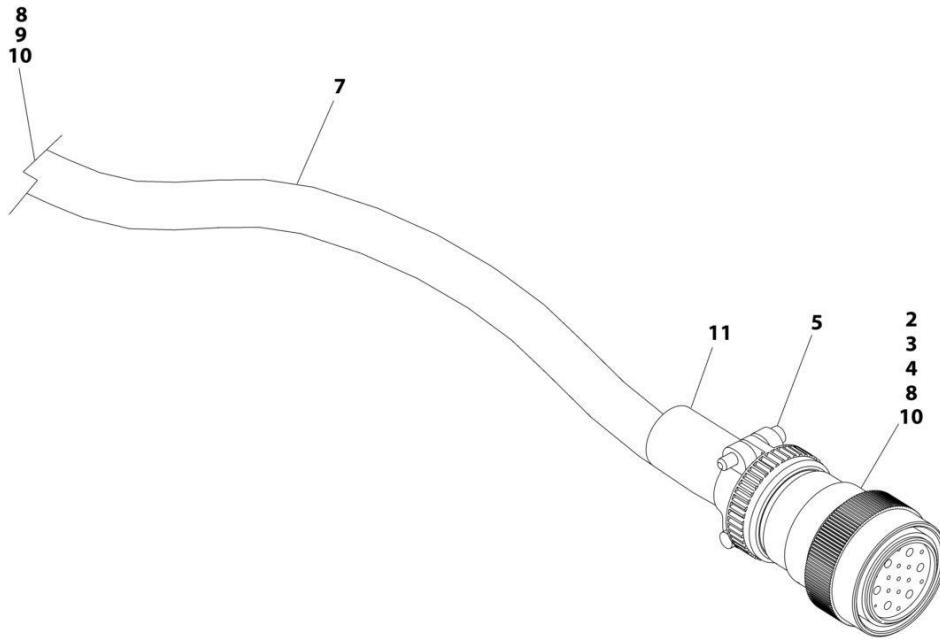
## SECTION 8 - ELECTRICAL

**FIGURE 8-33. BOOM CABLES INSTALLATION - 860SJ HC3 WITHOUT AC CABLES (CHINA SPECS)**

| ITEM | PART NUMBER | QTY | DESCRIPTION   | REV |
|------|-------------|-----|---|-----|
|      | 1001256201  | Ref | BOOM CABLES INSTALLATION  | A   |
| 1    | 0561484     | 2   | Block, Clamp  |     |
| 2    | 0641408     | 1   | Bolt 1/4 x 1  |     |
| 3    | 0641412     | 2   | Bolt 1/4 x 1-1/2  |     |
| 4    | 0641424     | 4   | Bolt 1/4 x 3  |     |
| 5    | 0641511     | 2   | Bolt 5/16 x 1-3/8   |     |
| 6    | 0641604     | 2   | Bolt 3/8 x 1/2  |     |
| 7    | 0641607     | 2   | Bolt 3/8 x 7/8  |     |
| 8    | 1320061     | 1   | Clamp   |     |
| 9    | 1671034     | 1   | Cover   |     |
| 10   | 2080044     | 4   | Rivnut  |     |
| 11   | 3311405     | 3   | Nut 1/4   |     |
| 12   | 3311505     | 2   | Nut 5/16  |     |
| 13   | 3573047     | 1   | Plate   |     |
| 14   | 3573296     | 1   | Plate   |     |
| 15   | 3841340     | 2   | Rod   |     |
| 16   | 4360506     | 1   | Switch, Proximity   |     |
| 17   | 4460470     | 1   | Nut, Terminal   |     |
| 18   | 4460471     | 1   | Washer, Terminal  |     |
| 19   | 4460866     | 1   | Connector - 19 Pin  |     |
| 20   | 4711400     | 5   | Washer 1/4  |     |
| 21   | 4751500     | 4   | Washer 5/16   |     |
| 22   | 4922567     | 1   | Harness Assembly - Main Boom (See Separate Breakdown in this Section)             |     |
| 23   | 4922569     | 1   | Harness Assembly - Tower Boom (See Separate Breakdown in this Section)            |     |
| 24   | 4922660     | 1   | Holding Valve/Lift Dump Harness Assembly (See Separate Breakdown in this Section) |     |

# SECTION 8 - ELECTRICAL

FIGURE 8-34. BOOM HARNESS - 860SJ HC3 (MAIN BOOM) (WITHOUT ARCTIC PACKAGE)



ART\_4922567



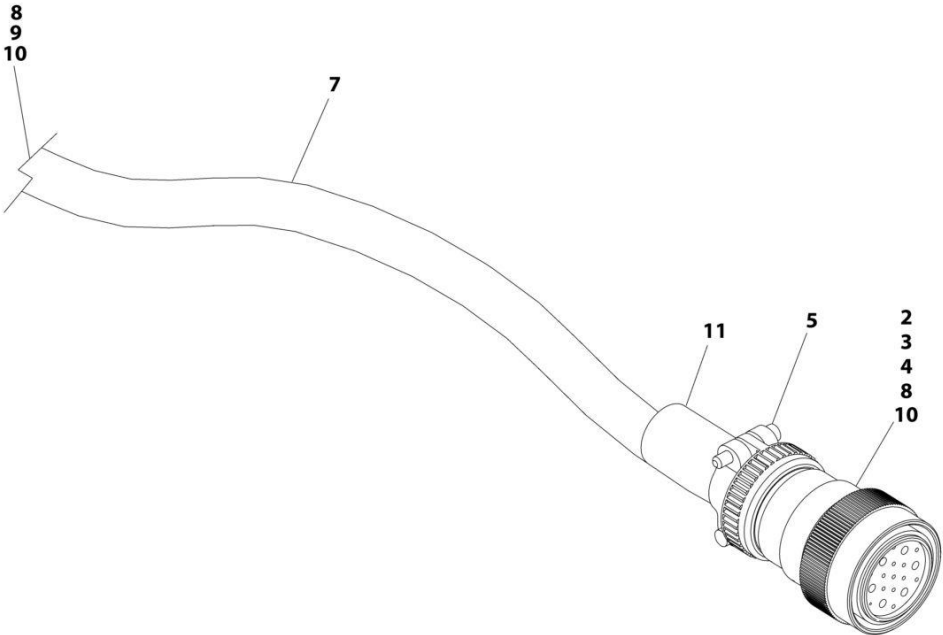
## SECTION 8 - ELECTRICAL

**FIGURE 8-34. BOOM HARNESS - 860SJ HC3 (MAIN BOOM) (WITHOUT ARCTIC PACKAGE)**

| ITEM | PART NUMBER | QTY | DESCRIPTION             | REV |
|------|-------------|-----|-------------------------|-----|
|      | 4922567     | Ref | BOOM HARNESS            | D   |
| 2    | 4460465     | 11  | Socket, Female          |     |
| 3    | 4460865     | 1   | Connector - 19 Position |     |
| 4    | 4460509     | 4   | Socket, Female          |     |
| 5    | 4460473     | 1   | Clamp                   |     |
| 6    | 4460466     | 8   | Plug, Terminal          |     |
| 7    | 2820031     | AR  | Heatshrink              |     |
| 8    | 4460464     | 11  | Pin, Male               |     |
| 9    | 4460508     | 4   | Pin, Male               |     |
| 10   | 2820118     | AR  | Heatshrink, Clear       |     |
| 11   | 1001226400  | 1   | Insulate, Heatshrink    |     |

**SECTION 8 - ELECTRICAL**

**FIGURE 8-35. BOOM HARNESS - 860SJ (MAIN BOOM) (WITH ARCTIC PACKAGE)**



ART\_4923595

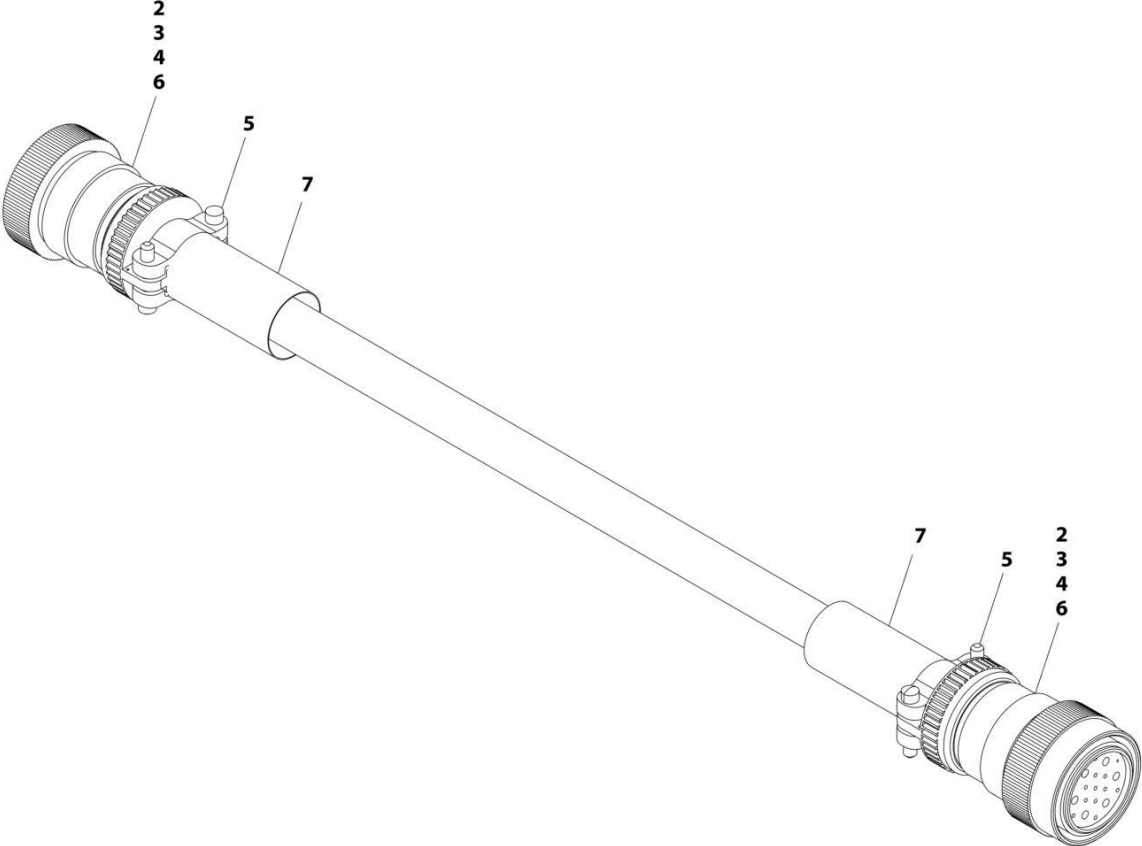
## SECTION 8 - ELECTRICAL

### FIGURE 8-35. BOOM HARNESS - 860SJ (MAIN BOOM) (WITH ARCTIC PACKAGE)

| ITEM | PART NUMBER | QTY | DESCRIPTION             | REV |
|------|-------------|-----|-------------------------|-----|
|      | 4923595     | Ref | BOOM HARNESS            | D   |
| 2    | 4460465     | 11  | Socket, Female          |     |
| 3    | 4460865     | 1   | Connector - 19 Position |     |
| 4    | 4460509     | 4   | Socket, Female          |     |
| 5    | 4460473     | 1   | Clamp                   |     |
| 6    | 4460466     | 8   | Plug, Terminal          |     |
| 7    | 2820031     | AR  | Heatshrink              |     |
| 8    | 4460464     | 11  | Pin, Male               |     |
| 9    | 4460508     | 4   | Pin, Male               |     |
| 10   | 2820118     | AR  | Heatshrink, Clear       |     |
| 11   | 1001226400  | 1   | Insulate, Heatshrink    |     |

**SECTION 8 - ELECTRICAL**

**FIGURE 8-36. BOOM CABLE (TOWER BOOM) (WITHOUT ARCTIC PACKAGE)**



ART\_4922569

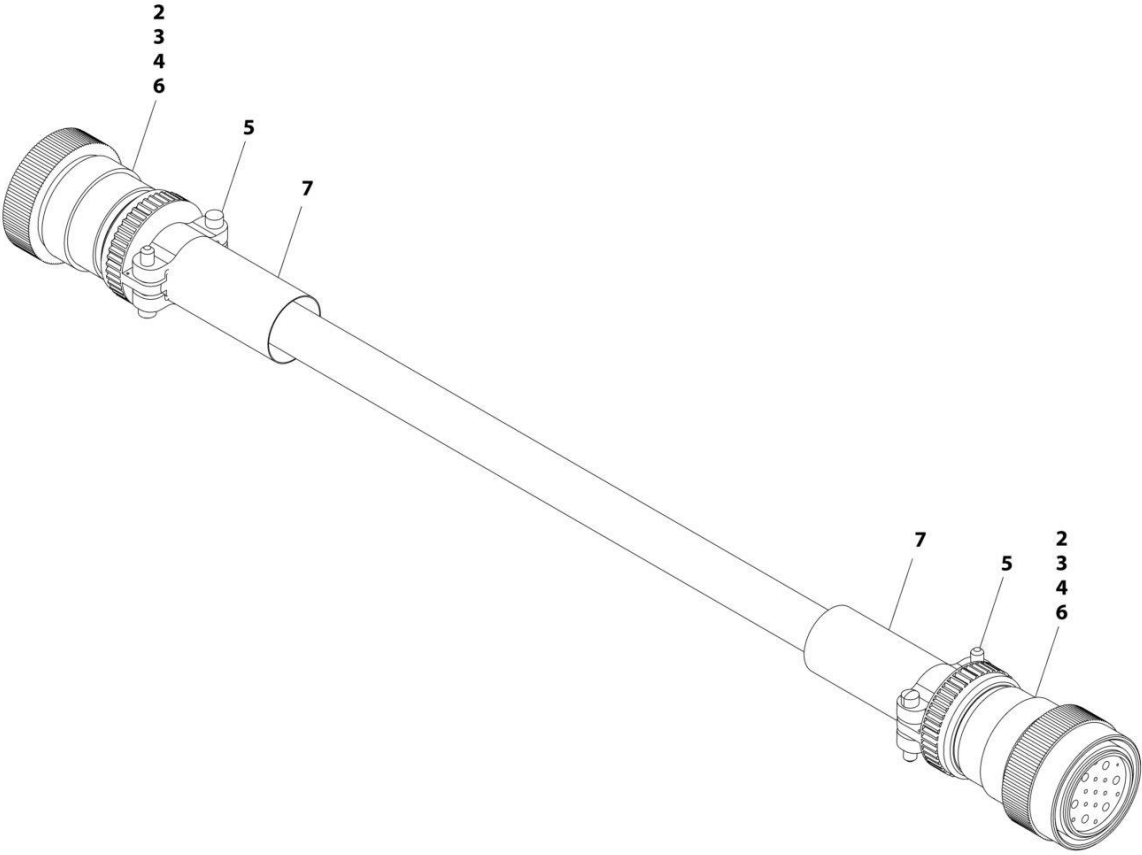
## SECTION 8 - ELECTRICAL

**FIGURE 8-36. BOOM CABLE (TOWER BOOM) (WITHOUT ARCTIC PACKAGE)**

| ITEM | PART NUMBER | QTY | DESCRIPTION             | REV |
|------|-------------|-----|-------------------------|-----|
|      | 4922569     | Ref | BOOM CABLE - TOWER BOOM | B   |
| 2    | 4460465     | 22  | Socket, Female          |     |
| 3    | 4460865     | 2   | Connector - 19 Position |     |
| 4    | 4460509     | 8   | Socket, Female          |     |
| 5    | 4460473     | 2   | Clamp                   |     |
| 6    | 4460466     | 8   | Plug, Terminal          |     |
| 7    | 1001226400  | 2   | Insulate, Heatshrink    |     |

**SECTION 8 - ELECTRICAL**

**FIGURE 8-37. BOOM CABLE (TOWER BOOM) (WITHOUT ARCTIC PACKAGE)**



ART\_4923596

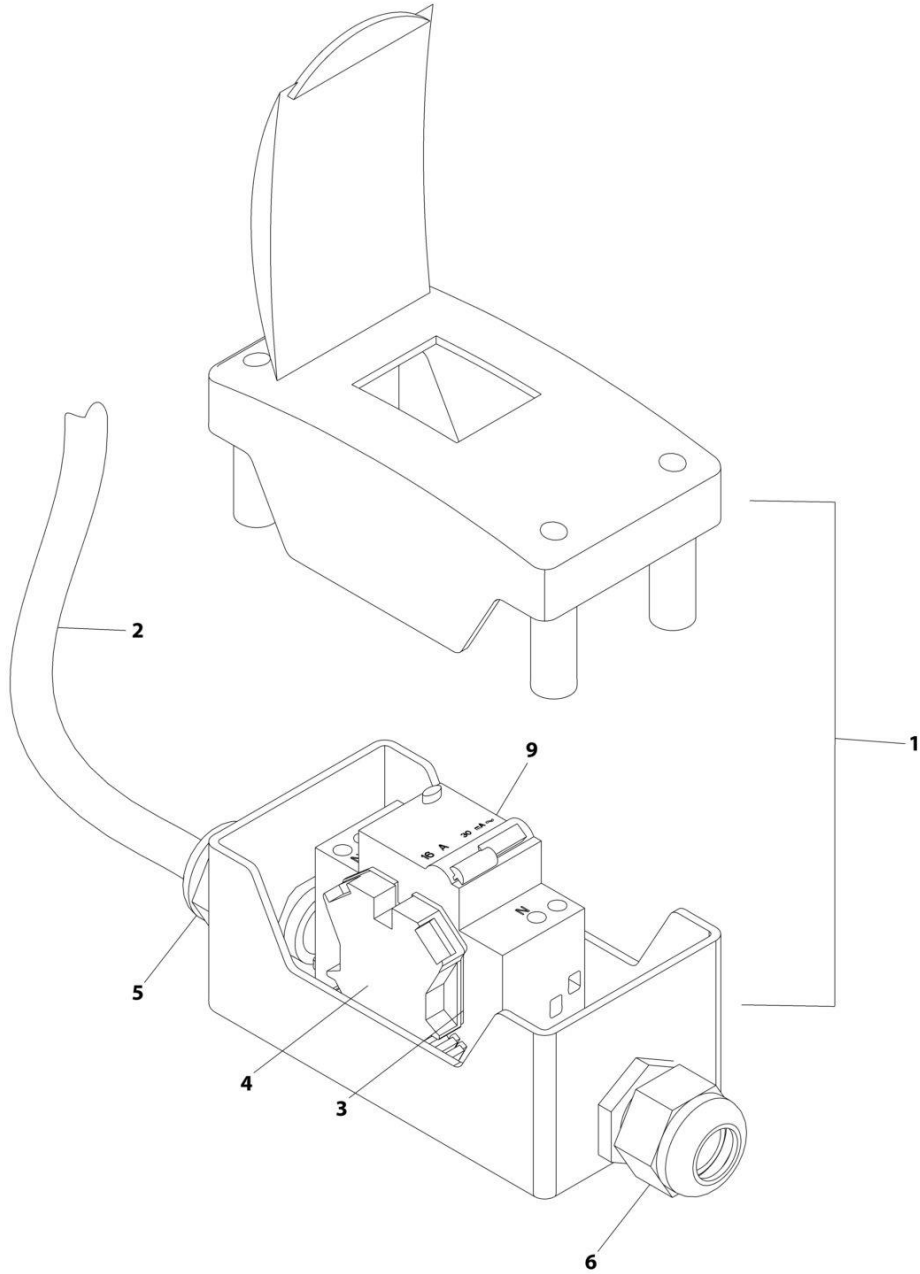
## SECTION 8 - ELECTRICAL

**FIGURE 8-37. BOOM CABLE (TOWER BOOM) (WITHOUT ARCTIC PACKAGE)**

| ITEM | PART NUMBER | QTY | DESCRIPTION             | REV |
|------|-------------|-----|-------------------------|-----|
|      | 4923596     | Ref | BOOM CABLE - TOWER BOOM | C   |
| 2    | 4460465     | 22  | Socket, Female          |     |
| 3    | 4460865     | 2   | Connector - 19 Position |     |
| 4    | 4460509     | 8   | Socket, Female          |     |
| 5    | 4460473     | 2   | Clamp                   |     |
| 6    | 4460466     | 8   | Plug, Terminal          |     |
| 7    | 1001226400  | 2   | Insulate, Heatshrink    |     |

# SECTION 8 - ELECTRICAL

FIGURE 8-38. BREAKER BOX KIT - ONE DOUBLE 16AMP BREAKER (CE SPECS WITHOUT 7500W GENERATOR)



ART\_1001109654



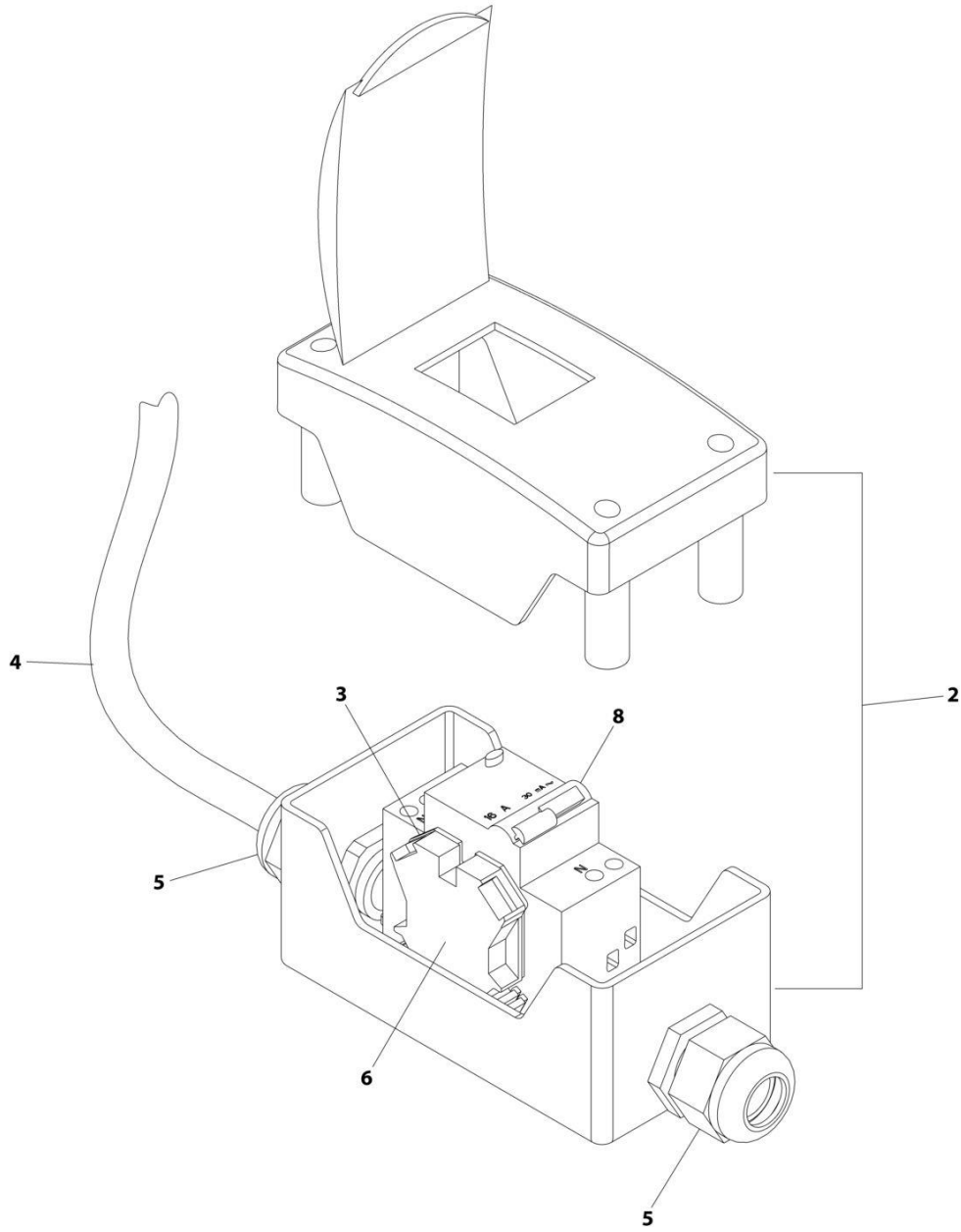
## SECTION 8 - ELECTRICAL

**FIGURE 8-38. BREAKER BOX KIT - ONE DOUBLE 16AMP BREAKER (CE SPECS WITHOUT 7500W GENERATOR)**

| ITEM | PART NUMBER | QTY            | DESCRIPTION                 | REV |
|------|-------------|----------------|-----------------------------|-----|
|      | 1001109654  | Ref            | BREAKER BOX KIT             | B   |
| 1    | 0861880     | 1              | Box, Breaker                |     |
| 2    | 1060908     | 12 ft/<br>3.6m | Cable 12/3                  |     |
| 3    | 4460956     | 1              | Barrier, Terminal Block End |     |
| 4    | 4460957     | 1              | Block, Terminal             |     |
| 5    | 1001097150  | 1              | Connector, Strain Relief    |     |
| 6    | 1001101191  | 1              | Connector, Strain Relief    |     |
| 9    | 1001181045  | 1              | Breaker - 30mA/16Amp        |     |

# SECTION 8 - ELECTRICAL

FIGURE 8-39. BREAKER BOX KIT - ONE DOUBLE 16AMP BREAKER (WITH 4000W/50HZ GENERATOR)



ART\_1001165368\_B

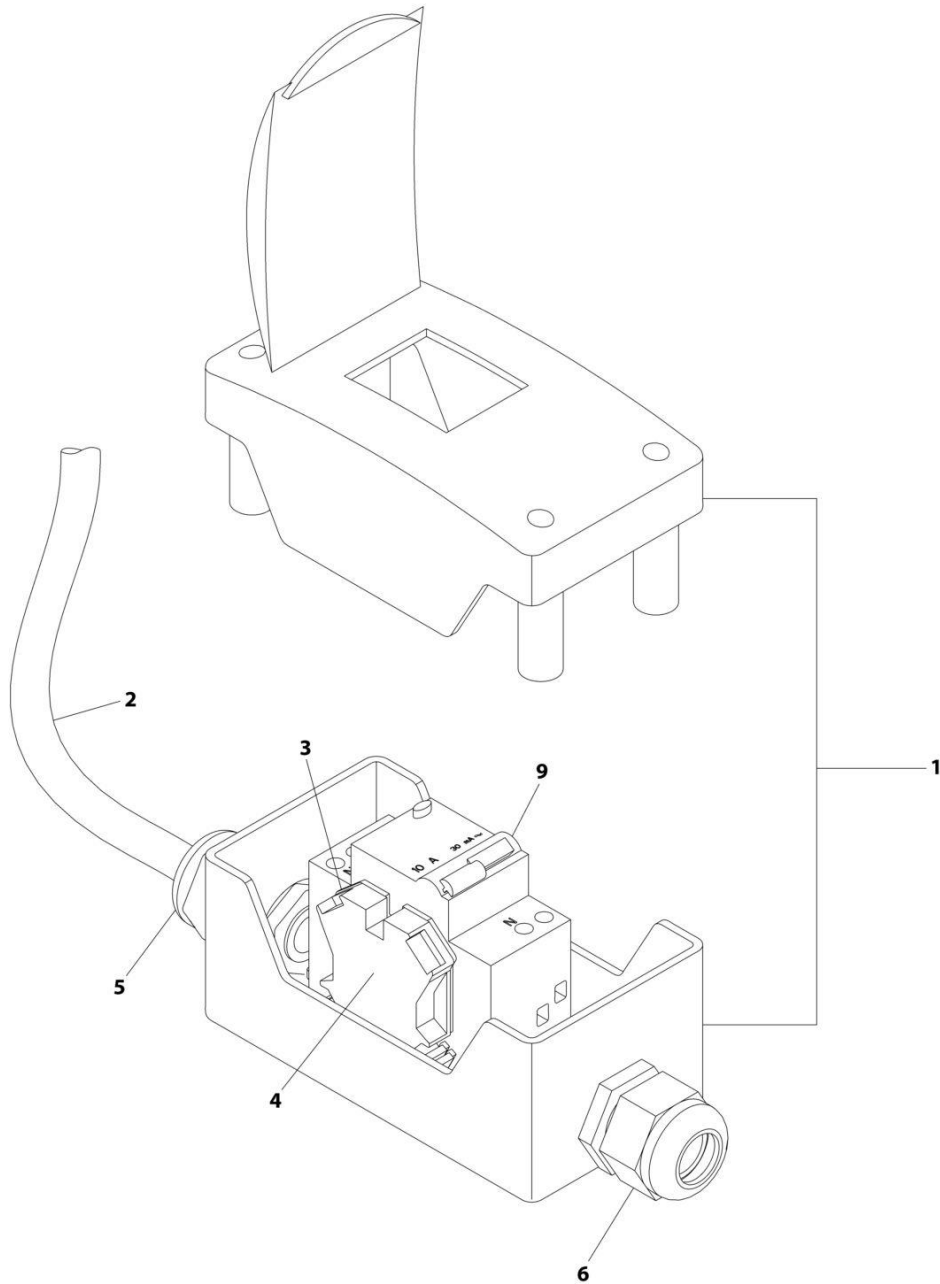
## SECTION 8 - ELECTRICAL

**FIGURE 8-39. BREAKER BOX KIT - ONE DOUBLE 16AMP BREAKER (WITH 4000W/50HZ GENERATOR)**

| ITEM | PART NUMBER | QTY            | DESCRIPTION                 | REV |
|------|-------------|----------------|-----------------------------|-----|
|      | 1001165368  | Ref            | BREAKER BOX KIT             | B   |
| 2    | 0861880     | 1              | Box, Circuit Breaker        |     |
| 3    | 4460956     | 1              | Barrier, Terminal Block End |     |
| 4    | 1060545     | 12 ft/<br>3.6m | Cable, Electrical 10/3      |     |
| 5    | 1001101191  | 2              | Connector, Strain Relief    |     |
| 6    | 4460957     | 1              | Block, Terminal             |     |
| 8    | 1001181045  | 1              | Breaker 30mA/16Amp          |     |

# SECTION 8 - ELECTRICAL

FIGURE 8-40. BREAKER BOX KIT - 10 AMP (CE SPECS WITHOUT 7500W GENERATOR)



ART\_1001109648

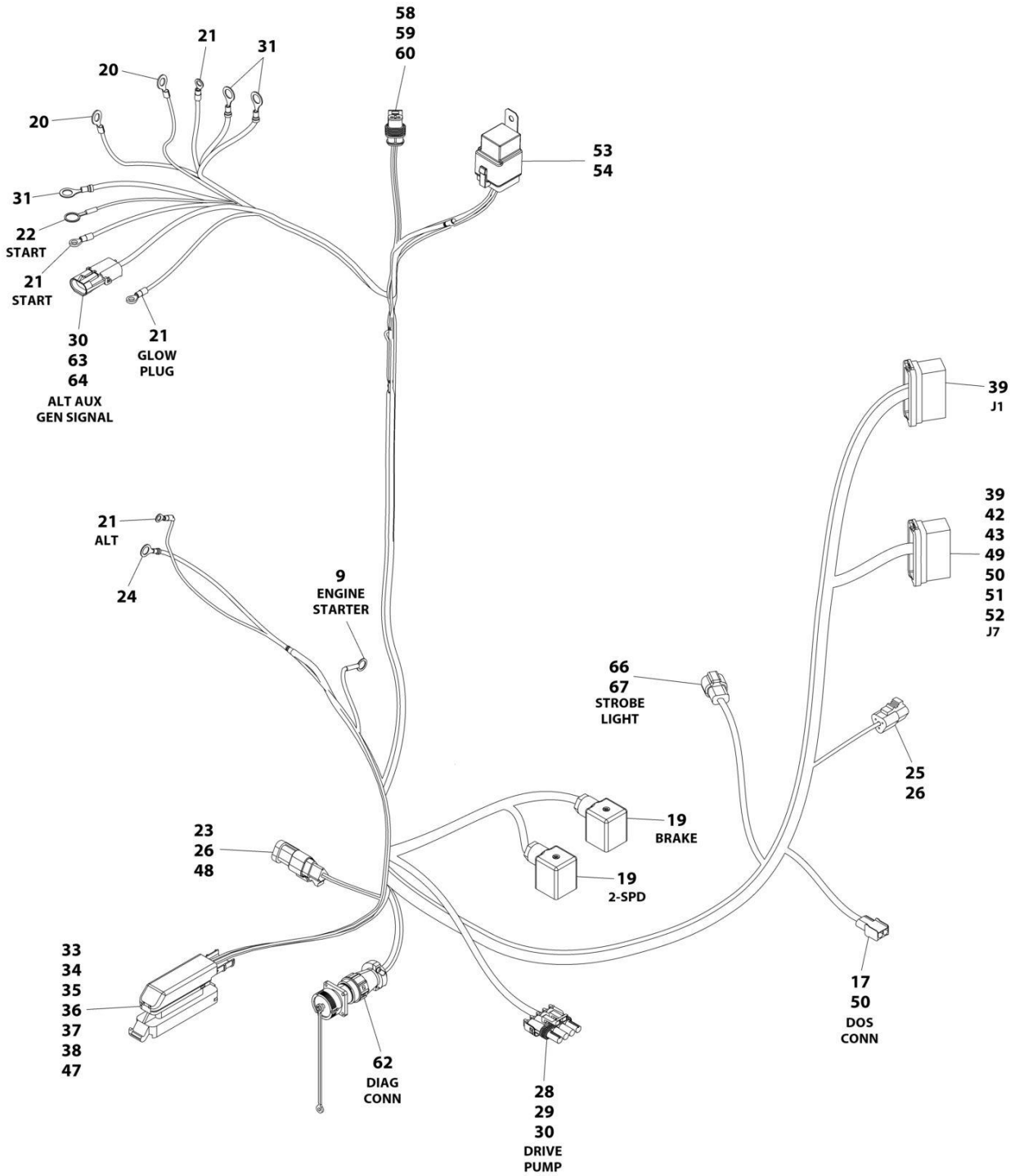
## SECTION 8 - ELECTRICAL

**FIGURE 8-40. BREAKER BOX KIT - 10 AMP (CE SPECS WITHOUT 7500W GENERATOR)**

| ITEM | PART NUMBER | QTY            | DESCRIPTION                                | REV |
|------|-------------|----------------|--|-----|
|      | 1001109648  | Ref            | BREAKER BOX KIT - 10 AMP (2500W GENERATOR) | B   |
| 1    | 0861880     | 1              | Box, Breaker                               |     |
| 2    | 1060908     | 12 ft<br>/3.6m | Cable, Electrical 12/3                     |     |
| 3    | 4460956     | 1              | Barrier, Terminal Block End                |     |
| 4    | 4460957     | 1              | Block, Terminal                            |     |
| 5    | 1001097150  | 1              | Connector, Strain Relief                   |     |
| 6    | 1001101191  | 1              | Connector, Strain Relief                   |     |
| 9    | 1001181046  | 1              | Breaker 30mA/16Amp                         |     |

# SECTION 8 - ELECTRICAL

FIGURE 8-41. ENGINE HARNESS - DEUTZ D2011 ENGINES (ANSI EXPORT (LRC) AND AUSTRALIAN SPECS)



ART\_1001154324

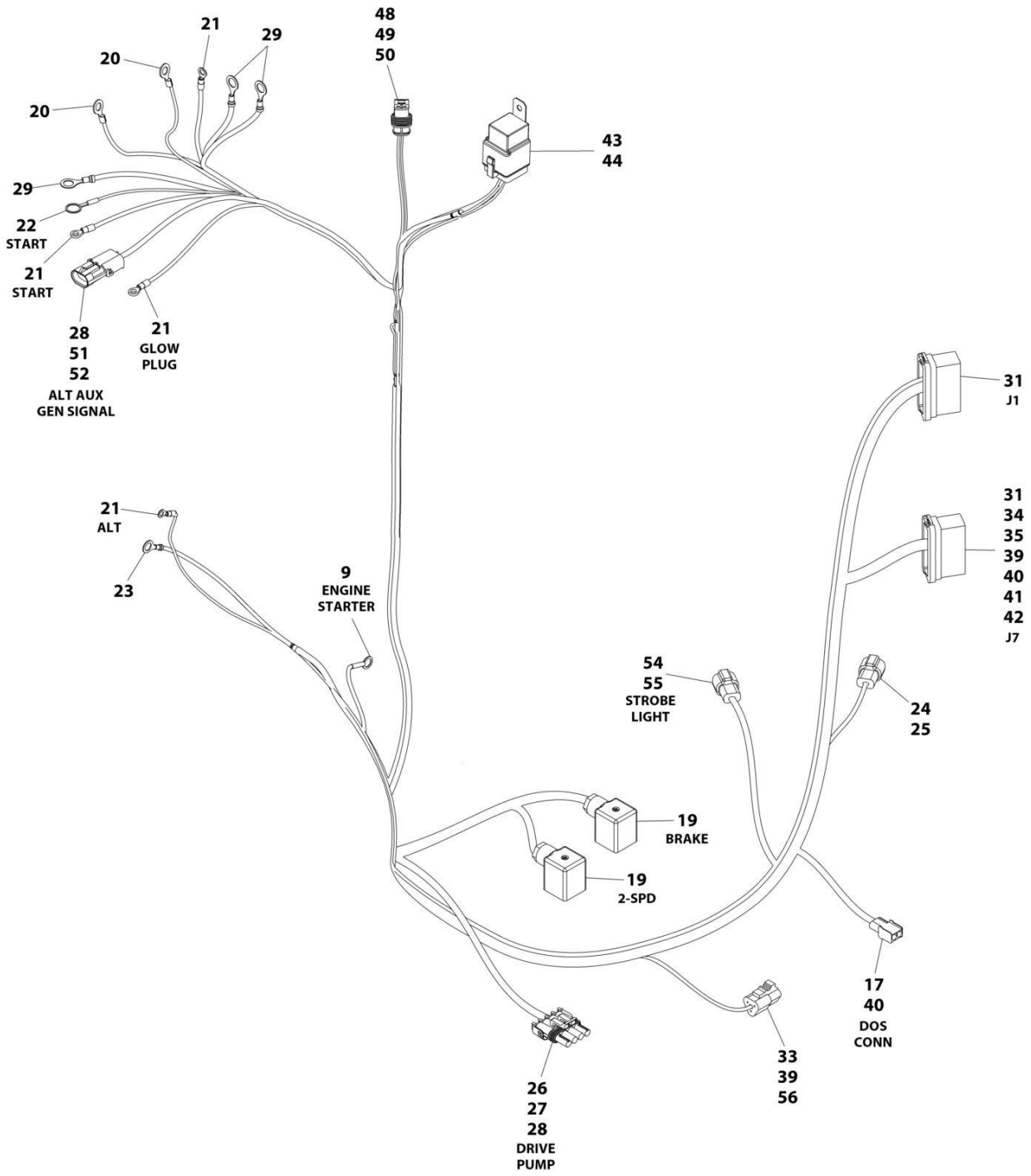
## SECTION 8 - ELECTRICAL

**FIGURE 8-41. ENGINE HARNESS - DEUTZ D2011 ENGINES (ANSI EXPORT (LRC) AND AUSTRALIAN SPECS)**

| ITEM | PART NUMBER | QTY | DESCRIPTION                          | REV |
|------|-------------|-----|--------------------------------------|-----|
|      | 1001154324  | Ref | ENGINE HARNESS - DEUTZ D2011 ENGINES | B   |
| 9    | 4460142     | 1   | Terminal - Ring                      |     |
| 17   | 4460424     | 1   | Connector - 2 Position               |     |
| 19   | 1001263923  | 2   | Connector, Din                       |     |
| 20   | 4460312     | 2   | Terminal, Ring                       |     |
| 21   | 4460313     | 4   | Terminal, Ring                       |     |
| 22   | 4460019     | 1   | Terminal, Ring                       |     |
| 23   | 4461070     | 1   | Connector - 3 Position               |     |
| 24   | 4460043     | 1   | Terminal, Ring 16 GA 1/4 Stud        |     |
| 25   | 4460539     | 1   | Position Plug, Male - 3 Position     |     |
| 26   | 4460944     | 6   | Socket, Female                       |     |
| 28   | 4460460     | 1   | Connector - 4 Position               |     |
| 29   | 4460457     | 4   | Sleeve                               |     |
| 30   | 4460458     | 6   | Seal                                 |     |
| 31   | 4460670     | 3   | Terminal, Ring                       |     |
| 33   | 4461052     | 1   | Conenctor - 25 Position              |     |
| 34   | 4461005     | 5   | Terminal                             |     |
| 35   | 4461060     | 2   | Terminal                             |     |
| 36   | 4461006     | 5   | Seal                                 |     |
| 37   | 4461054     | 2   | Seal                                 |     |
| 38   | 4461008     | 18  | Plug, Terminal                       |     |
| 39   | 4460871     | 10  | Socket, Female                       |     |
| 42   | 4460464     | 1   | Terminal                             |     |
| 43   | 4460887     | 1   | Terminal                             |     |
| 47   | 4461053     | 1   | Cover                                |     |
| 48   | 4461095     | 1   | Plug, Male - 3 Position              |     |
| 49   | 4460465     | 2   | Socket, Female                       |     |
| 50   | 4460226     | 4   | Socket, Female                       |     |
| 51   | 4460259     | 1   | Terminal                             |     |
| 52   | 4460260     | 1   | Cover, Terminal                      |     |
| 53   | 4460374     | 1   | Plug                                 |     |
| 54   | 4460375     | 4   | Terminal                             |     |
| 58   | 1001102290  | 1   | Connector                            |     |
| 59   | 1001102304  | 2   | Seal                                 |     |
| 60   | 1001102291  | 2   | Terminal                             |     |
| 62   | 2902443     | 1   | Kit, Receptacle                      |     |
| 62   | 4461073     | 1   | Cap, Dust                            |     |
| 63   | 4461157     | 1   | Connector - 2 Position               |     |
| 64   | 4460979     | 2   | Pin, Male                            |     |
| 66   | 4460897     | 1   | Connector                            |     |
| 67   | 1001116693  | 2   | Socket, Female                       |     |

# SECTION 8 - ELECTRICAL

FIGURE 8-42. ENGINE HARNESS - DEUTZ D2011 ENGINES (CE SPECS)



ART\_1001243559



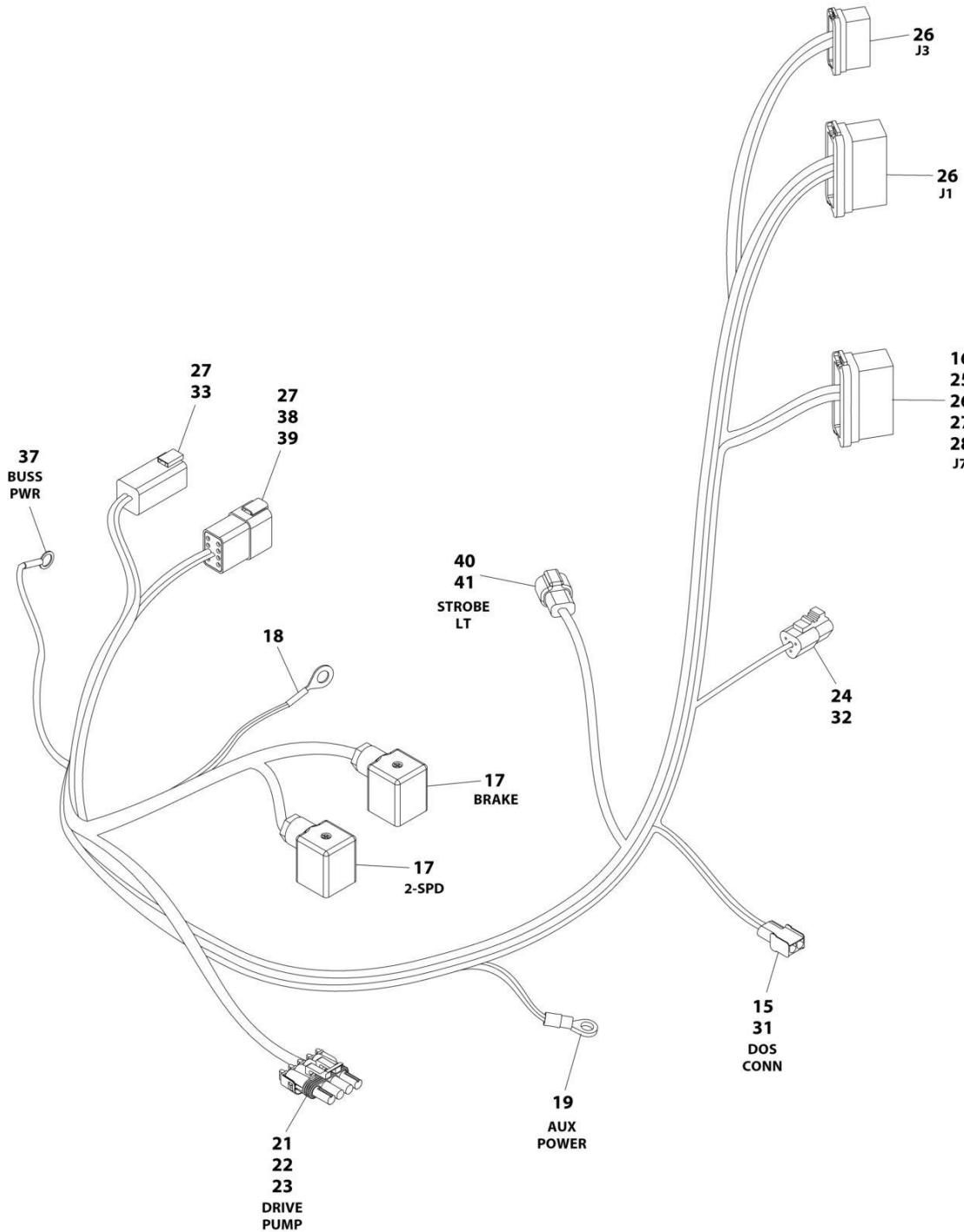
## SECTION 8 - ELECTRICAL

**FIGURE 8-42. ENGINE HARNESS - DEUTZ D2011 ENGINES (CE SPECS)**

| ITEM | PART NUMBER | QTY | DESCRIPTION                          | REV |
|------|-------------|-----|--------------------------------------|-----|
|      | 1001243559  | Ref | ENGINE HARNESS - DEUTZ D2011 ENGINES | A   |
| 9    | 4460142     | 1   | Terminal - Ring                      |     |
| 17   | 4460424     | 1   | Connector - 2 Position               |     |
| 19   | 4460880     | 2   | Connector, Din                       |     |
| 20   | 4460312     | 2   | Terminal, Ring                       |     |
| 21   | 4460313     | 4   | Terminal, Ring                       |     |
| 22   | 4460019     | 1   | Terminal, Ring                       |     |
| 23   | 4460043     | 1   | Terminal, Ring 16 GA 1/4 Stud        |     |
| 24   | 4460539     | 1   | Position Plug, Male - 3 Position     |     |
| 25   | 4460944     | 3   | Socket, Female                       |     |
| 26   | 4460460     | 1   | Connector - 4 Position               |     |
| 27   | 4460457     | 4   | Sleeve                               |     |
| 28   | 4460458     | 6   | Seal                                 |     |
| 29   | 4460670     | 3   | Terminal, Ring                       |     |
| 31   | 4460871     | 9   | Socket, Female                       |     |
| 33   | 4460466     | 1   | Plug, Terminal                       |     |
| 34   | 4460464     | 1   | Terminal                             |     |
| 35   | 4460887     | 1   | Terminal                             |     |
| 39   | 4460465     | 5   | Socket, Female                       |     |
| 40   | 4460226     | 4   | Socket, Female                       |     |
| 41   | 4460259     | 1   | Terminal                             |     |
| 42   | 4460260     | 1   | Cover, Terminal                      |     |
| 43   | 4460374     | 1   | Plug                                 |     |
| 44   | 4460375     | 4   | Terminal                             |     |
| 48   | 1001102290  | 1   | Connector                            |     |
| 49   | 1001102304  | 2   | Seal                                 |     |
| 50   | 1001102291  | 2   | Terminal                             |     |
| 51   | 4461157     | 1   | Connector - 2 Position               |     |
| 52   | 4460979     | 2   | Pin, Male                            |     |
| 54   | 4460897     | 1   | Connector                            |     |
| 55   | 1001116693  | 2   | Socket, Female                       |     |
| 56   | 4460884     | 1   | Connector - 4 Position               |     |

# SECTION 8 - ELECTRICAL

FIGURE 8-43. ENGINE HARNESS - DEUTZ TD2.9L4 AND DEUTZ 2.9L4 (STAGE V) ENGINES



ART\_1001165776

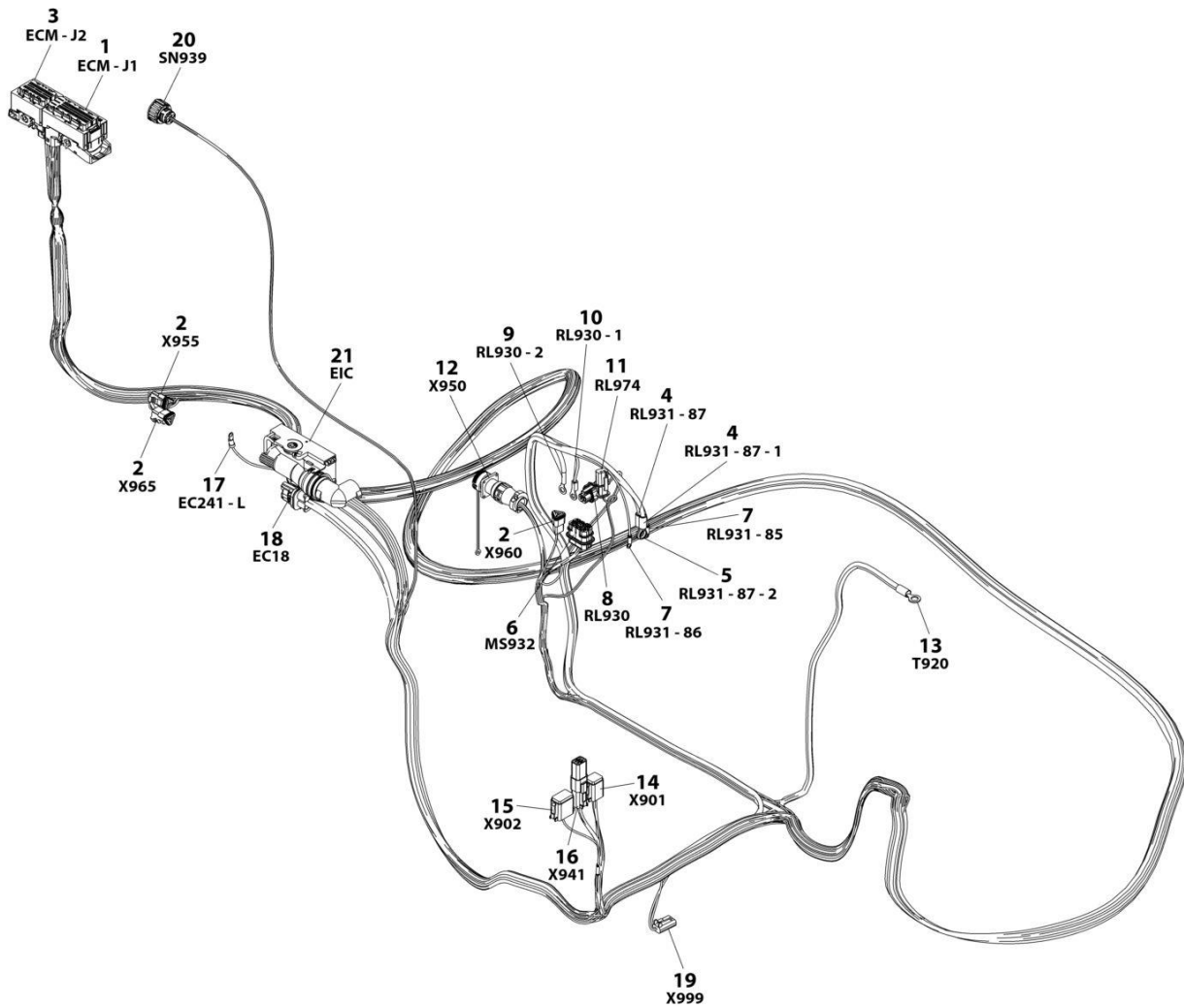
## SECTION 8 - ELECTRICAL

**FIGURE 8-43. ENGINE HARNESS - DEUTZ TD2.9L4 AND DEUTZ 2.9L4 (STAGE V) ENGINES**

| ITEM | PART NUMBER | QTY | DESCRIPTION                            | REV |
|------|-------------|-----|--|-----|
|      | 1001165776  | Ref | ENGINE HARNESS - DEUTZ TD2.9L4 ENGINES | E   |
| 15   | 4460424     | 1   | Connector - 2 Position                 |     |
| 16   | 4460268     | 1   | Socket, Female                         |     |
| 17   | 4460880     | 2   | Connector, Din                         |     |
| 18   | 4460019     | 1   | Terminal, Ring                         |     |
| 19   | 4460313     | 1   | Terminal, Ring                         |     |
| 21   | 4460460     | 1   | Connector                              |     |
| 22   | 4460457     | 4   | Terminal                               |     |
| 23   | 4460458     | 4   | Seal                                   |     |
| 24   | 4460539     | 1   | Connector - 3 Position                 |     |
| 25   | 4460465     | 3   | Socket, Female                         |     |
| 26   | 4460871     | 11  | Socket, Female                         |     |
| 27   | 4460464     | 11  | Pin, Male                              |     |
| 28   | 4460887     | 2   | Terminal                               |     |
| 31   | 4460226     | 2   | Socket, Female                         |     |
| 32   | 4460944     | 3   | Socket, Female                         |     |
| 33   | 4460899     | 1   | Receptacle, Female - 6 Position        |     |
| 37   | 4460738     | 1   | Terminal, Ring                         |     |
| 38   | 4460931     | 1   | Plug, Male                             |     |
| 39   | 4460466     | 4   | Plug, Terminal                         |     |
| 40   | 4460897     | 1   | Connector - 2 Position                 |     |
| 41   | 1001116693  | 2   | Terminal                               |     |

# SECTION 8 - ELECTRICAL

## FIGURE 8-44. ENGINE HARNESS - DEUTZ TD2.9L4 ENGINES



ART\_1001143726

## SECTION 8 - ELECTRICAL

**FIGURE 8-44. ENGINE HARNESS - DEUTZ TD2.9L4 ENGINES**

| ITEM | PART NUMBER | QTY | DESCRIPTION                      | REV |
|------|-------------|-----|----------------------------------|-----|
|      | 1001143726  | Ref | ENGINE HARNESS                   | L   |
| 1    | 1001133956  | 1   | Connector - 94 Position          |     |
| 1    | 1001126351  | 2   | Terminal                         |     |
| 1    | 1001126352  | 6   | Terminal                         |     |
| 1    | 1001126384  | 21  | Terminal                         |     |
| 1    | 1001126357  | 2   | Plug, Terminal                   |     |
| 1    | 1001126356  | 63  | Plug, Terminal                   |     |
| 2    | 4461095     | 3   | Plug, Male - 3 Position          |     |
| 2    | 4460944     | 6   | Socket, Female                   |     |
| 2    | 4460466     | 3   | Plug, Terminal                   |     |
| 3    | 1001133957  | 1   | Connector - 60 Position          |     |
| 3    | 1001126351  | 13  | Terminal                         |     |
| 3    | 1001126384  | 17  | Terminal                         |     |
| 3    | 1001126357  | 11  | Plug, Terminal                   |     |
| 3    | 1001126356  | 19  | Plug, Terminal                   |     |
| 4    | 1001117107  | 2   | Terminal, Ring                   |     |
| 5    | 4460703     | 1   | Terminal, Ring                   |     |
| 6    | 80484084    | 1   | Plug, Male - 8 Position          |     |
| 6    | 8229242     | 1   | Fuse - 5Amp                      |     |
| 6    | 80983191    | 1   | Fuse - 10Amp                     |     |
| 6    | 1001116728  | 4   | Socket, Female                   |     |
| 6    | 1001116727  | 4   | Plug, Terminal                   |     |
| 6    | 4460458     | 4   | Seal, Terminal                   |     |
| 6    | 1001147264  | 1   | Cap                              |     |
| 7    | 4460247     | 2   | Terminal, Ring                   |     |
| 8    | 1001116952  | 1   | Plug, Male - 2 Position          |     |
| 8    | 4460465     | 2   | Socket, Female                   |     |
| 9    | 1001117106  | 1   | Terminal, Ring                   |     |
| 10   | 4460043     | 1   | Terminal, Ring                   |     |
| 11   | 1001138110  | 1   | Connector - 2 Position           |     |
| 11   | 1001138111  | 2   | Terminal                         |     |
| 11   | 1001138113  | 2   | Seal                             |     |
| 12   | 2902443     | 1   | Receptacle Kit                   |     |
| 12   | 4461073     | 1   | Cap, Dust                        |     |
| 12   | 4461071     | 6   | Terminal                         |     |
| 13   | 8220115     | 1   | Terminal, Ring                   |     |
| 14   | 4460894     | 1   | Plug, Male - 6 Position          |     |
| 14   | 4460465     | 3   | Socket, Female                   |     |
| 14   | 4460944     | 2   | Socket, Female                   |     |
| 14   | 4460466     | 1   | Plug, Terminal                   |     |
| 15   | 4460930     | 1   | Plug, Male - 8 Position          |     |
| 15   | 4460465     | 1   | Socket, Female                   |     |
| 15   | 4460466     | 7   | Plug, Terminal                   |     |
| 16   | 1001220379  | 1   | Plug, Male - 4 Position          |     |
| 16   | 4460465     | 2   | Socket, Female                   |     |
| 16   | 4460942     | 2   | Socket, Female                   |     |
| 16   | 4460932     | 1   | Receptacle, Bussbar - 4 Position |     |
| 17   | 4460042     | 1   | Terminal, Ring                   |     |
| 18   | 1001142938  | 1   | Plug, Male - 2 Position          |     |
| 18   | 1001142940  | 2   | Terminal                         |     |

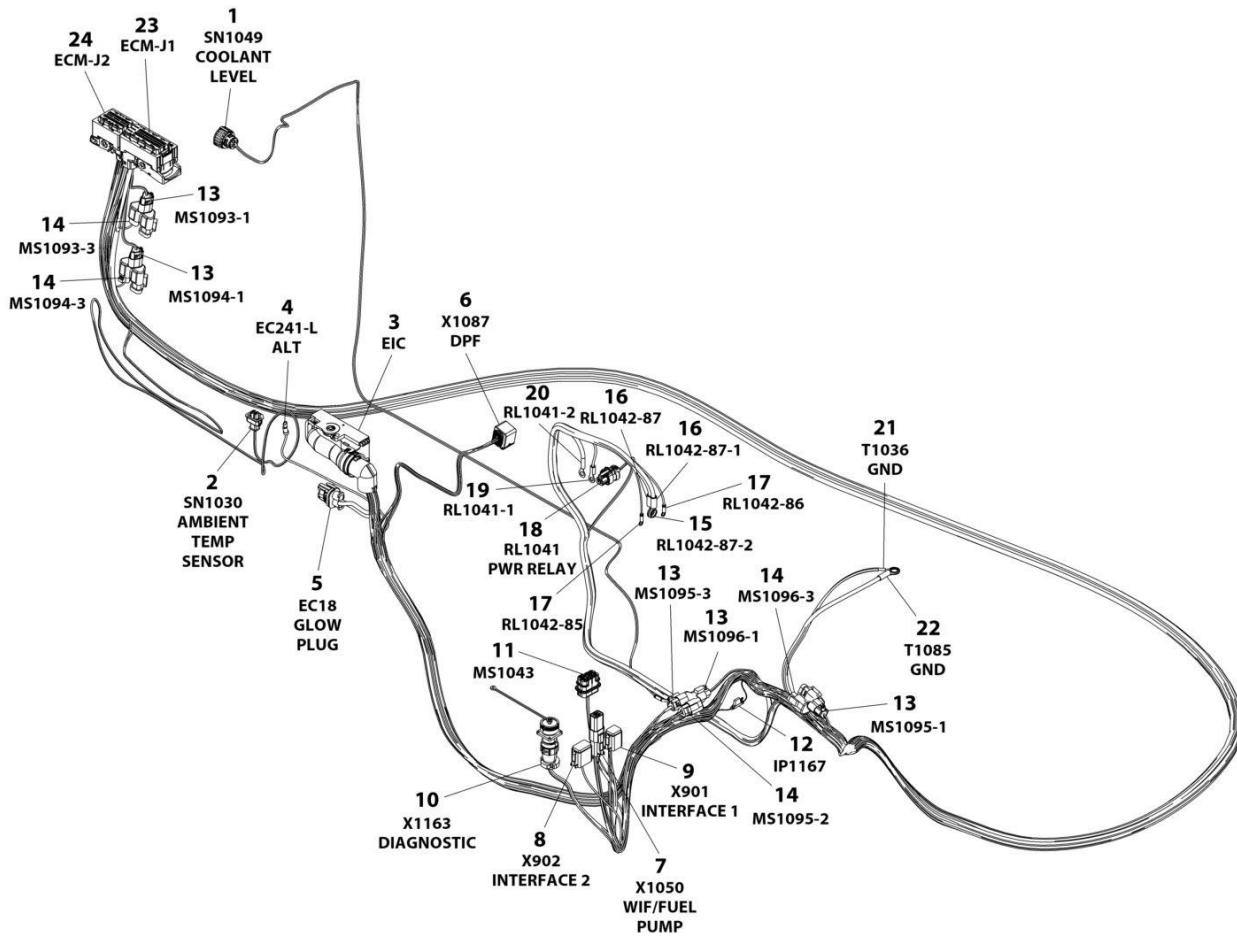
## SECTION 8 - ELECTRICAL

| ITEM | PART NUMBER | QTY | DESCRIPTION                     | REV |
|------|-------------|-----|---------------------------------|-----|
| 18   | 1001142941  | 2   | Seal                            |     |
| 19   | 4460465     | 2   | Socket, Female                  |     |
| 19   | 4460891     | 1   | Plug, Male - 4 Position         |     |
| 19   | 4460897     | 1   | Receptacle, Female - 4 Position |     |
| 20   | 1001133714  | 1   | Connector - 4 Position          |     |
| 20   | 1001133715  | 3   | Terminal                        |     |
| 20   | 1001135650  | 3   | Seal, Terminal                  |     |
| 20   | 1001135651  | 1   | Plug, Terminal                  |     |
| 21   | 1001126362  | 1   | Connector - 62 Position         |     |
| 21   | 1001126363  | 35  | Terminal                        |     |
| 21   | 1001126365  | 2   | Terminal                        |     |
| 21   | 1001126391  | 20  | Plug, Terminal                  |     |
| 21   | 4461008     | 4   | Plug, Terminal                  |     |
| 21   | 1001151856  | 1   | Elbow                           |     |



# SECTION 8 - ELECTRICAL

## FIGURE 8-45. ENGINE HARNESS - DEUTZ TD2.9L4 (STAGE V) ENGINES



ART\_1001238878



## SECTION 8 - ELECTRICAL

**FIGURE 8-45. ENGINE HARNESS - DEUTZ TD2.9L4 (STAGE V) ENGINES**

| ITEM | PART NUMBER | QTY | DESCRIPTION                    | REV |
|------|-------------|-----|--------------------------------|-----|
|      | 1001238878  | Ref | Seal, Terminal                 | C   |
| 1    | 1001133714  | 1   | Connector - 4 Position         |     |
| 1    | 1001133715  | 3   | Terminal                       |     |
| 1    | 1001135650  | 3   | Seal, Terminal                 |     |
| 1    | 1001135651  | 1   | Plug, Terminal                 |     |
| 2    | 1001126487  | 1   | Connector - 2 Position         |     |
| 2    | 1001167635  | 2   | Terminal                       |     |
| 2    | 1001126485  | 2   | Seal, Terminal                 |     |
| 3    | 1001126362  | 1   | Connector - 62 Position        |     |
| 3    | 1001126363  | 37  | Terminal                       |     |
| 3    | 1001126392  | 12  | Terminal                       |     |
| 3    | 1001126391  | 7   | Plug, Terminal                 |     |
| 3    | 4461008     | 4   | Plug, Terminal                 |     |
| 3    | 1001167632  | 2   | Terminal                       |     |
| 3    | 1001126364  | 37  | Seal, Terminal                 |     |
| 3    | 1001223459  | 12  | Seal, Terminal                 |     |
| 3    | 4461054     | 2   | Seal, Terminal                 |     |
| 4    | 4460042     | 1   | Terminal, Ring                 |     |
| 5    | 1001142938  | 1   | Plug, Male - 2 Position        |     |
| 5    | 1001142940  | 2   | Terminal                       |     |
| 5    | 1001142941  | 2   | Seal                           |     |
| 6    | 1001239202  | 1   | Connector - 8 Position         |     |
| 6    | 1001126363  | 7   | Terminal                       |     |
| 6    | 1001126391  | 1   | Plug, Terminal                 |     |
| 6    | 1001126364  | 7   | Seal, Terminal                 |     |
| 7    | 4460884     | 1   | Connector - 4 Position         |     |
| 7    | 4460465     | 2   | Socket, Female                 |     |
| 7    | 4460942     | 2   | Socket, Female                 |     |
| 8    | 4460930     | 1   | Plug, Male - 8 Position        |     |
| 8    | 4460465     | 1   | Socket, Female                 |     |
| 8    | 4460466     | 7   | Plug, Terminal                 |     |
| 9    | 4460894     | 1   | Plug, Male - 6 Position        |     |
| 9    | 4460465     | 2   | Socket, Female                 |     |
| 9    | 4460944     | 2   | Socket, Female                 |     |
| 9    | 4460466     | 2   | Plug, Terminal                 |     |
| 10   | 2902443     | 1   | Receptacle Kit                 |     |
| 10   | 4461073     | 1   | Cap, Dust                      |     |
| 10   | 4461071     | 6   | Terminal                       |     |
| 11   | 80484084    | 1   | Plug, Male - 8 Position        |     |
| 11   | 4460748     | 4   | Seal, Terminal                 |     |
| 11   | 4460746     | 3   | Terminal                       |     |
| 11   | 1001234800  | 1   | Terminal                       |     |
| 11   | 4460458     | 4   | Seal, Terminal                 |     |
| 12   | 1001170764  | 1   | Fuse Holder, Includes Resistor |     |
| 12   | 1001197719  | 1   | Resistor 0.5W                  |     |
| 13   | 1001116812  | 5   | Plug, Male - 3 Position        |     |
| 13   | 4460944     | 10  | Socket, Female                 |     |
| 13   | 4460466     | 5   | Plug, Terminal                 |     |
| 14   | 4460539     | 4   | Connector - 3 Position         |     |
| 14   | 4460944     | 8   | Socket, Female                 |     |

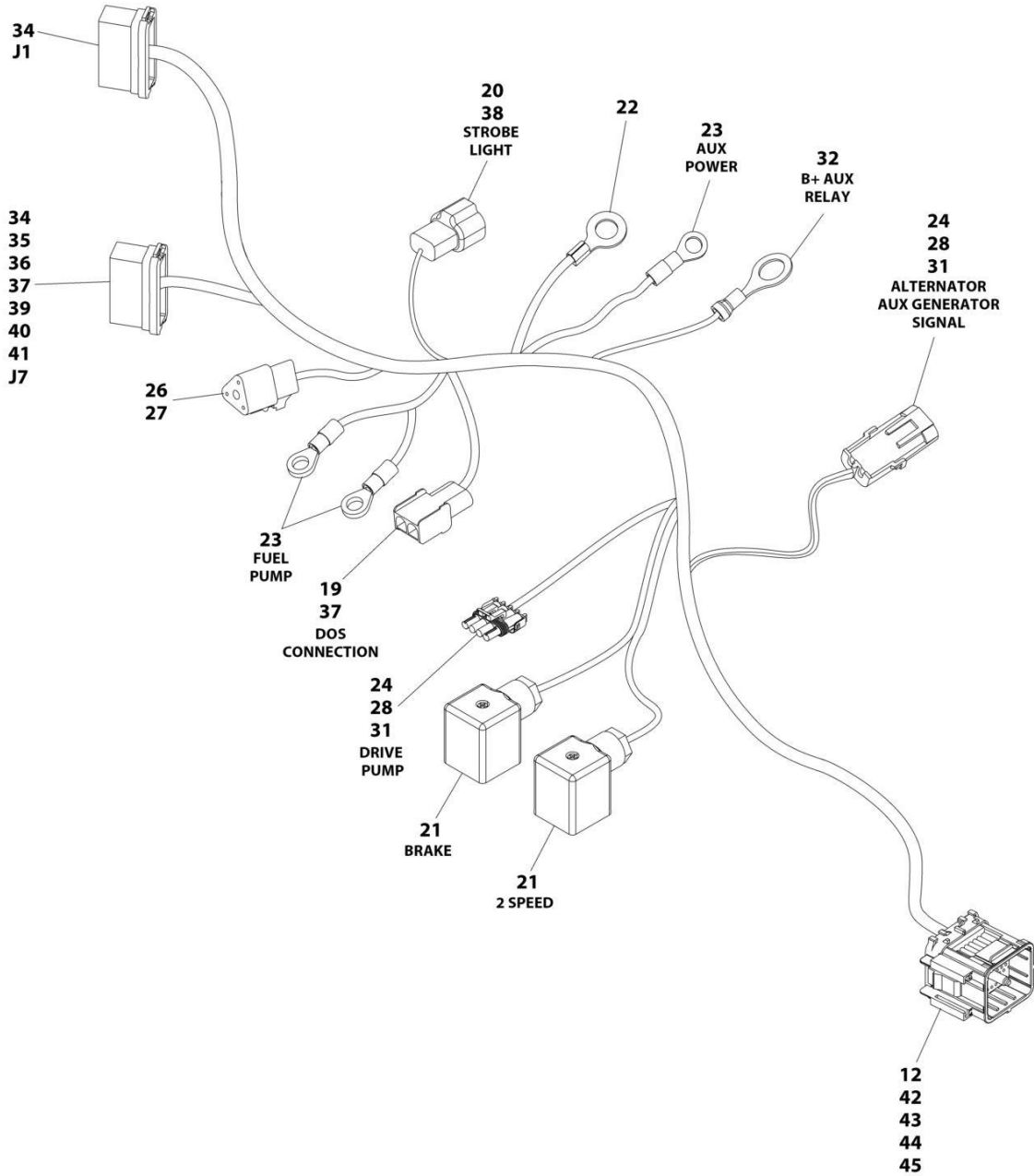
## SECTION 8 - ELECTRICAL

| ITEM | PART NUMBER | QTY | DESCRIPTION             | REV |
|------|-------------|-----|-------------------------|-----|
| 14   | 4460466     | 4   | Plug, Terminal          |     |
| 15   | 4460703     | 1   | Terminal, Ring          |     |
| 16   | 1001117107  | 2   | Terminal, Ring          |     |
| 17   | 4460247     | 2   | Terminal, Ring          |     |
| 18   | 1001116952  | 1   | Plug, Male - 2 Position |     |
| 18   | 4460465     | 2   | Socket, Female          |     |
| 19   | 4460043     | 1   | Terminal, Ring          |     |
| 20   | 1001117106  | 1   | Terminal, Ring          |     |
| 21   | 4460019     | 1   | Terminal, Ring          |     |
| 22   | 8220164     | 1   | Terminal, Ring          |     |
| 23   | 1001133956  | 1   | Connector - 94 Position |     |
| 23   | 1001126351  | 3   | Terminal                |     |
| 23   | 1001182361  | 6   | Terminal                |     |
| 23   | 1001230934  | 25  | Terminal                |     |
| 23   | 1001230935  | 55  | Plug, Terminal          |     |
| 23   | 1001252527  | 4   | Terminal                |     |
| 23   | 1001230936  | 1   | Plug, Terminal          |     |
| 23   | 1001182365  | 6   | Seal, Terminal          |     |
| 24   | 1001133957  | 1   | Connector - 60 Position |     |
| 24   | 1001126351  | 13  | Terminal                |     |
| 24   | 1001230935  | 10  | Plug, Terminal          |     |
| 24   | 1001230934  | 26  | Terminal                |     |
| 24   | 1001230936  | 11  | Plug, Terminal          |     |



# SECTION 8 - ELECTRICAL

## FIGURE 8-46. ENGINE HARNESS - FORD DF 2.5L ENGINES



ART\_1001216327

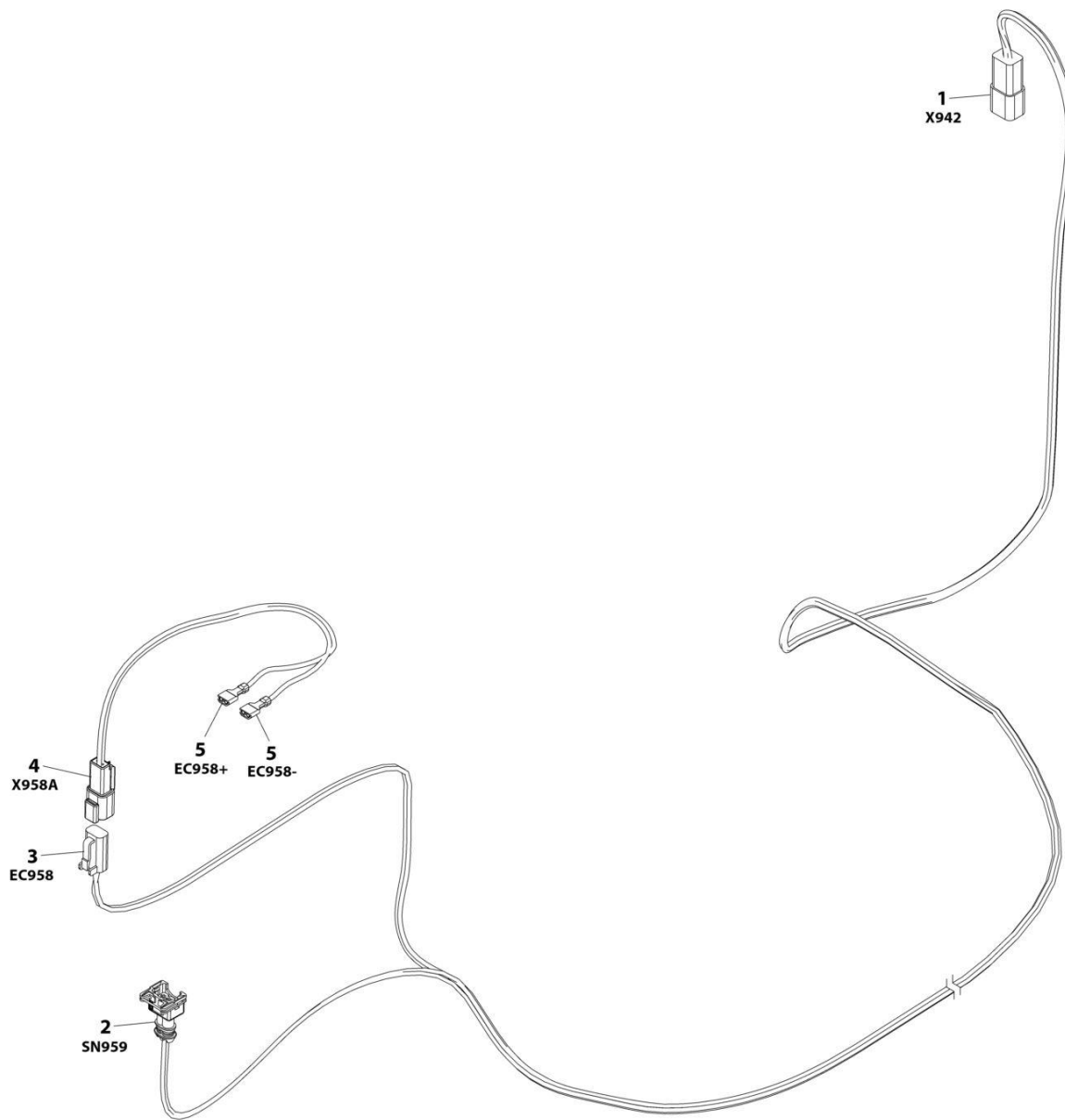
## SECTION 8 - ELECTRICAL

**FIGURE 8-46. ENGINE HARNESS - FORD DF 2.5L ENGINES**

| ITEM | PART NUMBER | QTY | DESCRIPTION                           | REV |
|------|-------------|-----|---------------------------------------|-----|
|      | 1001216327  | Ref | ENGINE HARNESS - FORD DF 2.5L ENGINES | B   |
| 12   | 1001216213  | 3   | Plug, Terminal                        |     |
| 18   | 4240032     | AR  | Tie-Strap (Not Shown)                 |     |
| 19   | 4460424     | 1   | Connector - 2 Position                |     |
| 20   | 1001116693  | 2   | Socket, Female                        |     |
| 21   | 4460880     | 2   | Connector, Din                        |     |
| 22   | 4460312     | 1   | Terminal, Ring                        |     |
| 23   | 4460313     | 3   | Terminal, Ring                        |     |
| 24   | 4460979     | 2   | Pin, Male                             |     |
| 26   | 4460539     | 1   | Connector - 3 Position                |     |
| 27   | 4460944     | 3   | Socket, Female                        |     |
| 28   | 4461157     | 1   | Connector - 2 Position                |     |
| 29   | 4460460     | 1   | Connector - 4 Position                |     |
| 30   | 4460457     | 4   | Terminal                              |     |
| 31   | 4460458     | 6   | Seal                                  |     |
| 32   | 4460738     | 1   | Terminal, Ring                        |     |
| 34   | 4460871     | 9   | Socket, Female                        |     |
| 35   | 4460464     | 1   | Pin, Male                             |     |
| 36   | 4460887     | 1   | Terminal                              |     |
| 37   | 4460226     | 3   | Socket, Female                        |     |
| 38   | 4460897     | 1   | Connector - 2 Position                |     |
| 39   | 4460465     | 2   | Socket, Female                        |     |
| 40   | 4460259     | 1   | Terminal (Not Shown)                  |     |
| 41   | 4460260     | 1   | Cover, Terminal (Not Shown)           |     |
| 42   | 1001215016  | 1   | Connector - 42 Position               |     |
| 43   | 1001215091  | 5   | Terminal, Male                        |     |
| 44   | 1001215534  | 33  | Plug, Terminal                        |     |
| 45   | 1001216212  | 1   | Terminal, Male                        |     |

# SECTION 8 - ELECTRICAL

## FIGURE 8-47. FUEL PUMP HARNESS - DEUTZ TD2.9L4 ENGINES



ART\_1001138491

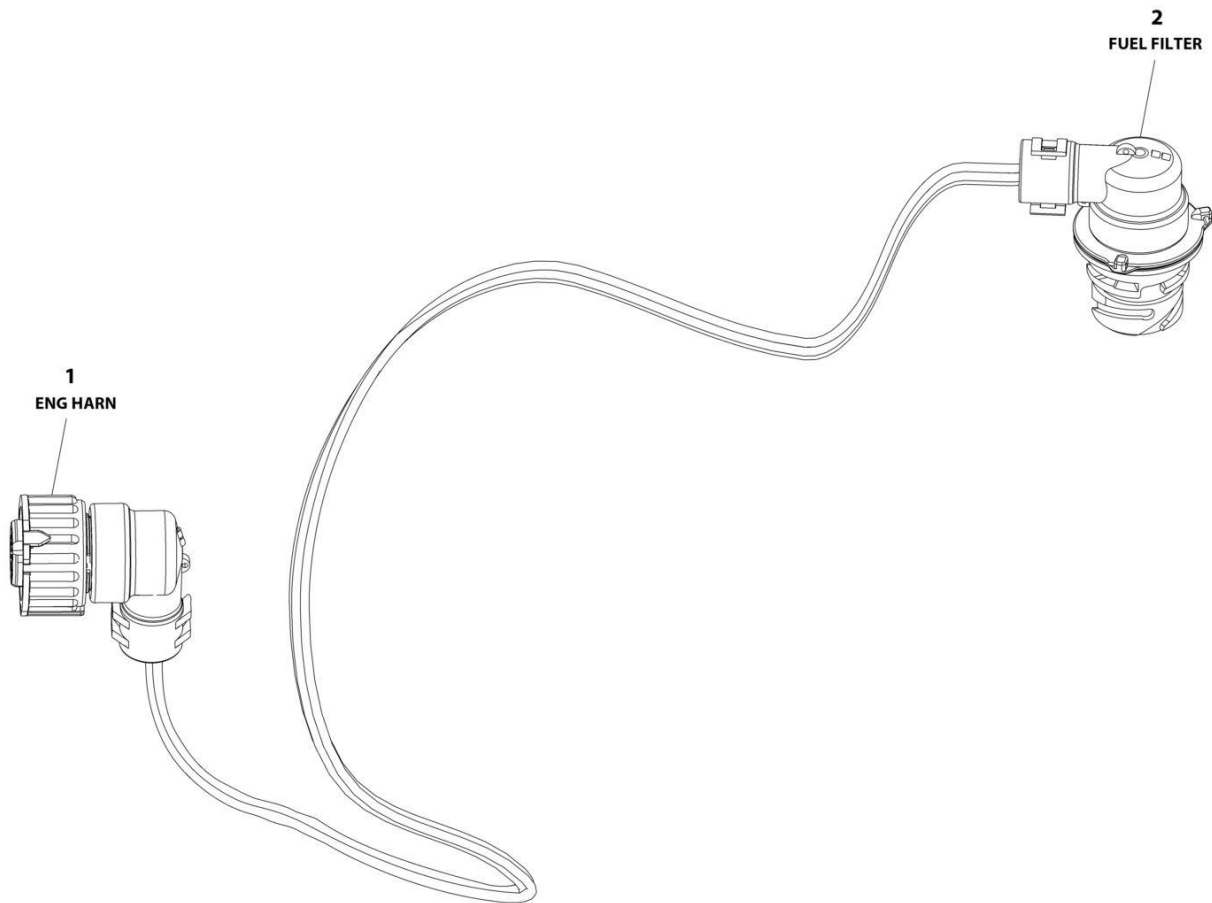
## SECTION 8 - ELECTRICAL

**FIGURE 8-47. FUEL PUMP HARNESS - DEUTZ TD2.9L4 ENGINES**

| ITEM | PART NUMBER | QTY | DESCRIPTION                     | REV |
|------|-------------|-----|---------------------------------|-----|
|      | 1001138491  | Ref | FUEL PUMP HARNESS               | D   |
| 1    | 4460932     | 1   | Receptacle, Female - 4 Position |     |
| 1    | 4460941     | 2   | Pin, Male                       |     |
| 1    | 4460464     | 2   | Pin, Male                       |     |
| 2    | 1001116983  | 1   | Plug, Male - 2 Position         |     |
| 2    | 1001116710  | 2   | Socket, Female                  |     |
| 2    | 4461054     | 2   | Seal                            |     |
| 3    | 4460891     | 1   | Plug, Male - 2 Position         |     |
| 3    | 4460942     | 2   | Socket, Female                  |     |
| 4    | 4460897     | 1   | Connector - 2 Position          |     |
| 4    | 4460941     | 2   | Pin, Male                       |     |
| 5    | 8220051     | 2   | Terminal, Ring                  |     |

## SECTION 8 - ELECTRICAL

FIGURE 8-48. FUEL HARNESS - DEUTZ TD2.9L4 (STAGE V) ENGINE



ART\_1001245913



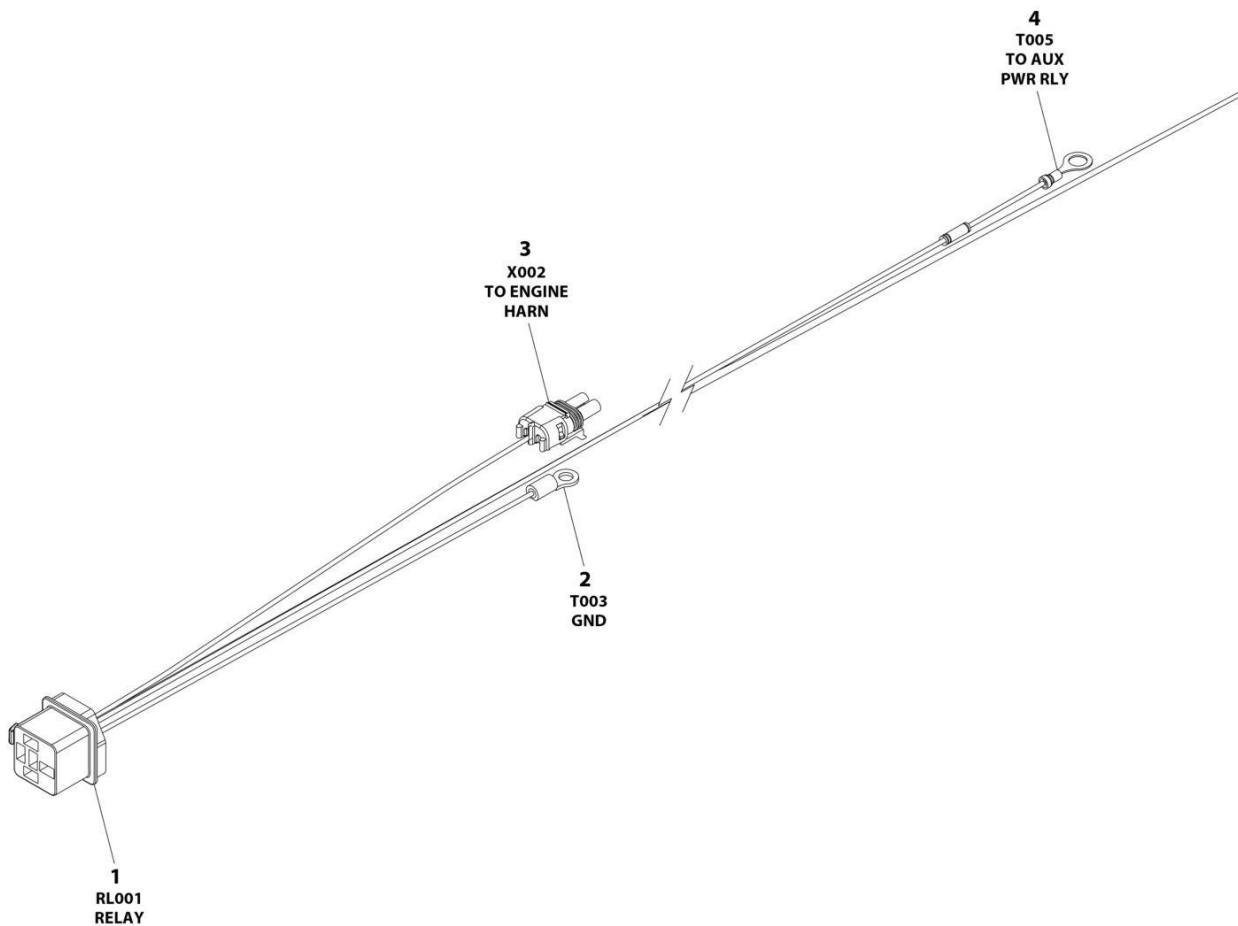
## SECTION 8 - ELECTRICAL

### FIGURE 8-48. FUEL HARNESS - DEUTZ TD2.9L4 (STAGE V) ENGINE

| ITEM | PART NUMBER | QTY | DESCRIPTION                           | REV |
|------|-------------|-----|---------------------------------------|-----|
|      | 1001245913  | Ref | FUEL HARNESS - DEUTZ (STAGE V) ENGINE | D   |
| 1    | 1001148842  | 1   | Connector - 4 Position                |     |
| 1    | 1001148841  | 4   | Pin, Male                             |     |
| 1    | 1001135650  | 4   | Seal                                  |     |
| 2    | 1001133714  | 1   | Plug, Male - 4 Position               |     |
| 2    | 1001133715  | 4   | Socket, Female                        |     |
| 2    | 1001135650  | 4   | Seal                                  |     |

# SECTION 8 - ELECTRICAL

## FIGURE 8-49. GENERATOR TO ENGINE HARNESS - 2500W (FORD ENGINES)



ART\_4923445

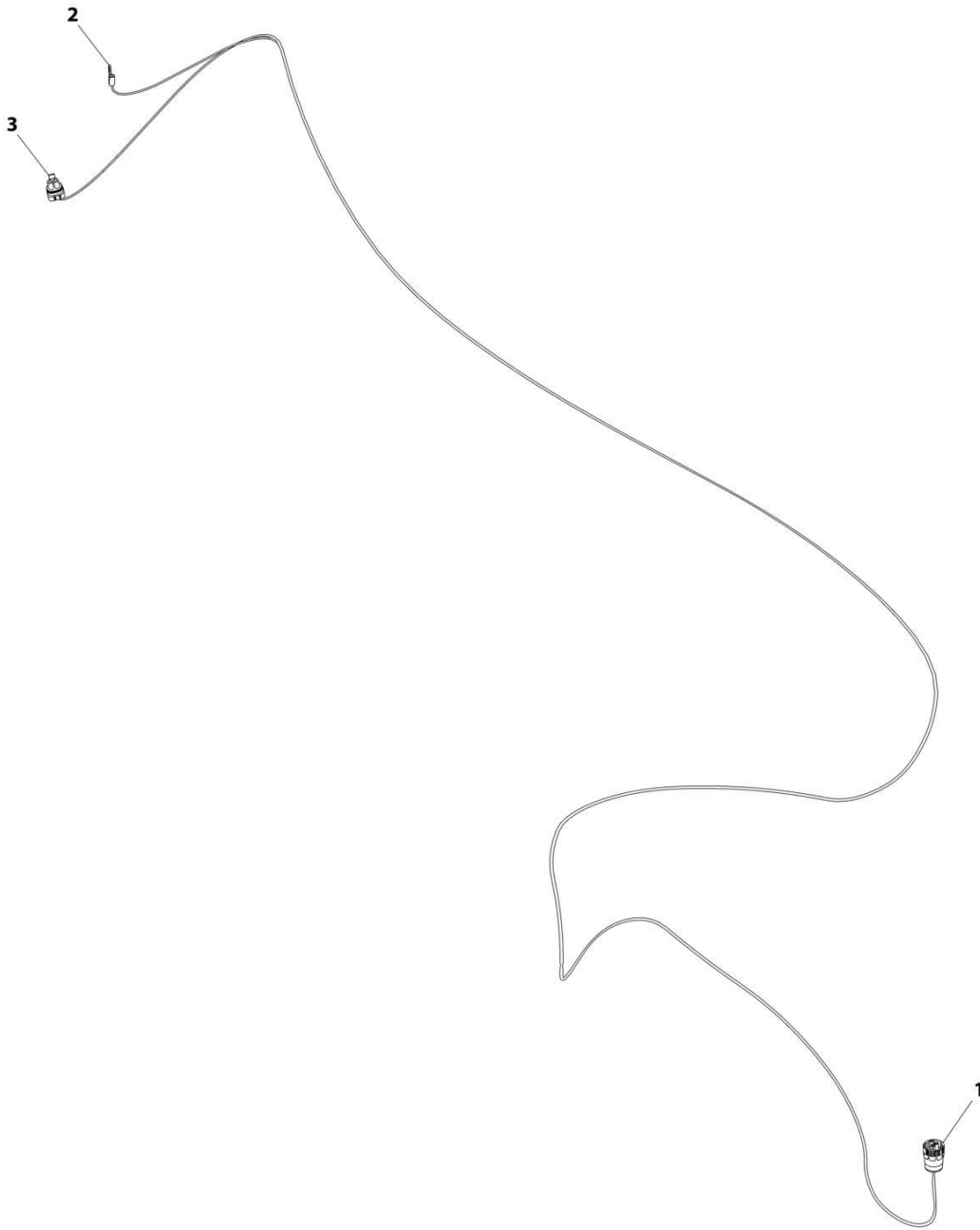
## SECTION 8 - ELECTRICAL

**FIGURE 8-49. GENERATOR TO ENGINE HARNESS - 2500W (FORD ENGINES)**

| ITEM | PART NUMBER | QTY | DESCRIPTION                 | REV |
|------|-------------|-----|-----------------------------|-----|
|      | 4923445     | Ref | GENERATOR TO ENGINE HARNESS | B   |
| 1    | 4460374     | 1   | Plug, Sealed Relay          |     |
| 1    | 1001116734  | 2   | Socket, Female              |     |
| 1    | 1001116733  | 2   | Socket, Female              |     |
| 2    | 4460043     | 1   | Terminal, Ring              |     |
| 3    | 4460742     | 1   | Plug, Male - 2 Position     |     |
| 3    | 4460457     | 1   | Socket, Female              |     |
| 3    | 4460458     | 1   | Seal, Terminal              |     |
| 3    | 1001116727  | 1   | Plug, Terminal              |     |
| 4    | 4460670     | 1   | Terminal, Ring              |     |

## SECTION 8 - ELECTRICAL

FIGURE 8-50. GENERATOR TO ENGINE HARNESS - 4000W/50HZ (DEUTZ D2011 ENGINES)



ART\_1001153197

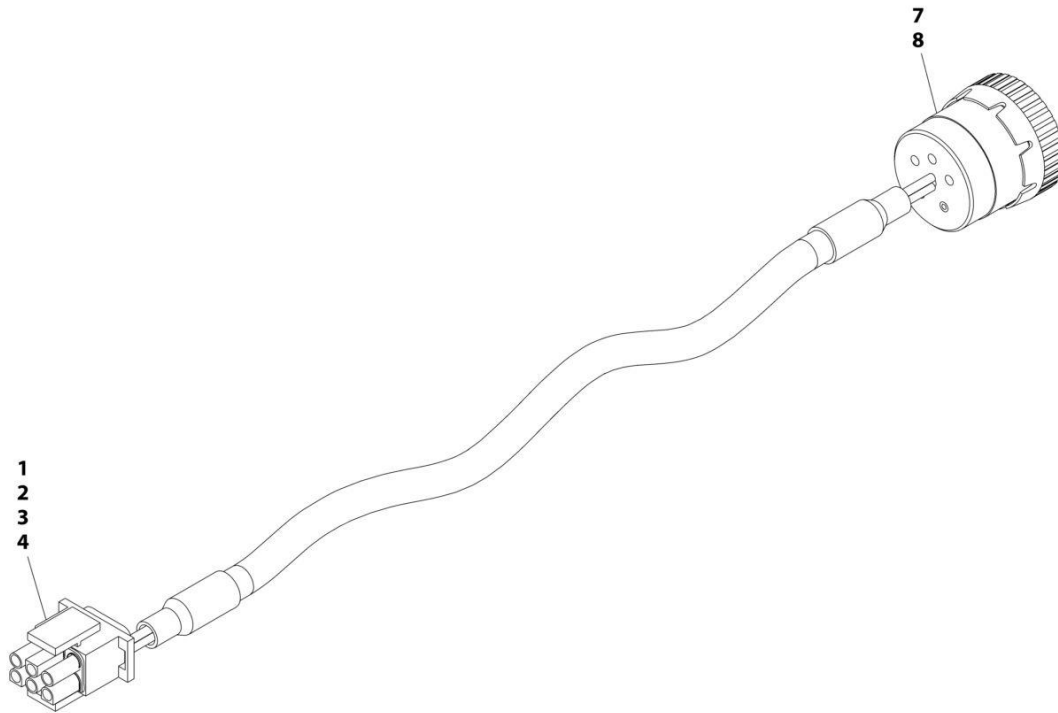
## SECTION 8 - ELECTRICAL

**FIGURE 8-50. GENERATOR TO ENGINE HARNESS - 4000W/50HZ (DEUTZ D2011 ENGINES)**

| ITEM | PART NUMBER | QTY | DESCRIPTION                 | REV |
|------|-------------|-----|-----------------------------|-----|
|      | 1001153197  | Ref | GENERATOR TO ENGINE HARNESS | B   |
| 1    | 4460967     | 1   | Plug, Male - 3 Position     |     |
| 1    | 4460465     | 2   | Socket, Female              |     |
| 2    | 4460043     | 1   | Terminal, Ring              |     |
| 3    | 4460742     | 1   | Plug, Male - 2 Position     |     |
| 3    | 4460743     | 1   | Socket, Female              |     |
| 3    | 4460458     | 1   | Seal, Terminal              |     |
| 3    | 1001116727  | 1   | Plug, Terminal              |     |

## SECTION 8 - ELECTRICAL

FIGURE 8-51. GENERATOR TO ENGINE HARNESS - 4000W/60HZ (DEUTZ ENGINES)



ART\_1001152532

## SECTION 8 - ELECTRICAL

**FIGURE 8-51. GENERATOR TO ENGINE HARNESS - 4000W/60HZ (DEUTZ ENGINES)**

| ITEM | PART NUMBER | QTY | DESCRIPTION            | REV |
|------|-------------|-----|------------------------|-----|
|      | 1001152532  | Ref | GENERATOR HARNESS      | A   |
| 1    | 4460225     | 1   | Connector - 6 Position |     |
| 2    | 4460268     | 2   | Socket, Female         |     |
| 3    | 4460807     | 1   | Seal                   |     |
| 4    | 4460808     | 1   | Seal                   |     |
| 7    | 4460465     | 2   | Socket, Female         |     |
| 8    | 77363233    | 1   | Connector - 6 Position |     |

## SECTION 8 - ELECTRICAL

FIGURE 8-52. GENERATOR TO ENGINE HARNESS - 4000W/50HZ (DEUTZ TD2.9L4 ENGINES)



ART\_1001153259



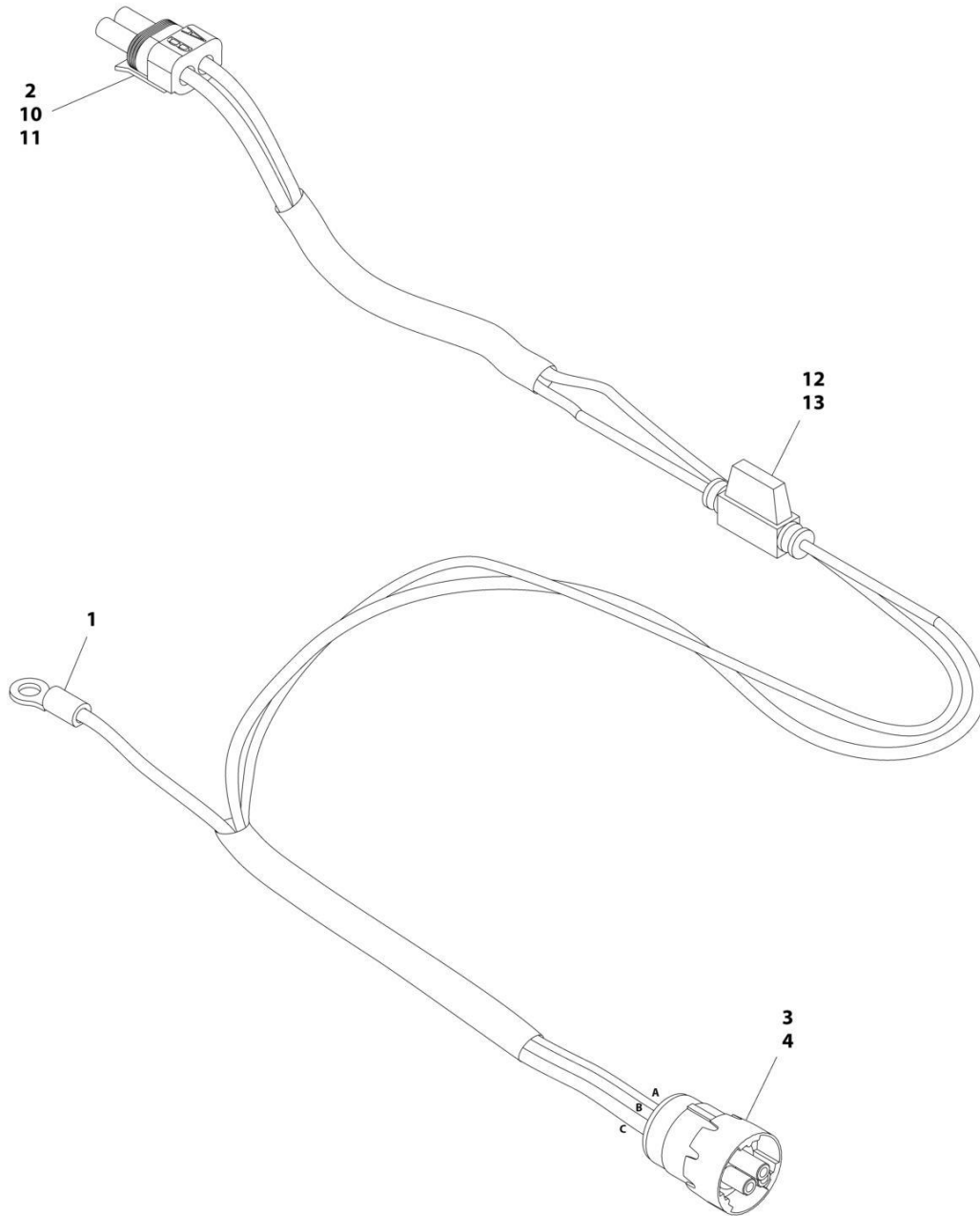
## SECTION 8 - ELECTRICAL

**FIGURE 8-52. GENERATOR TO ENGINE HARNESS - 4000W/50HZ (DEUTZ TD2.9L4 ENGINES)**

| ITEM | PART NUMBER | QTY | DESCRIPTION  | REV |
|------|-------------|-----|--|-----|
|      | 1001153259  | Ref | GENERATOR TO PLATFORM HARNESS (4000W-60HZ GENERATOR) | B   |
| 1    | 4460967     | 1   | Connector - 3 Position                               |     |
| 1    | 4460465     | 2   | Socket, Female                                       |     |
| 2    | 4460465     | 2   | Socket, Female                                       |     |

# SECTION 8 - ELECTRICAL

FIGURE 8-53. GENERATOR TO ENGINE HARNESS - 7500W SKYPOWER GENERATOR (DEUTZ D2011 ENGINES)



ART\_1001152429

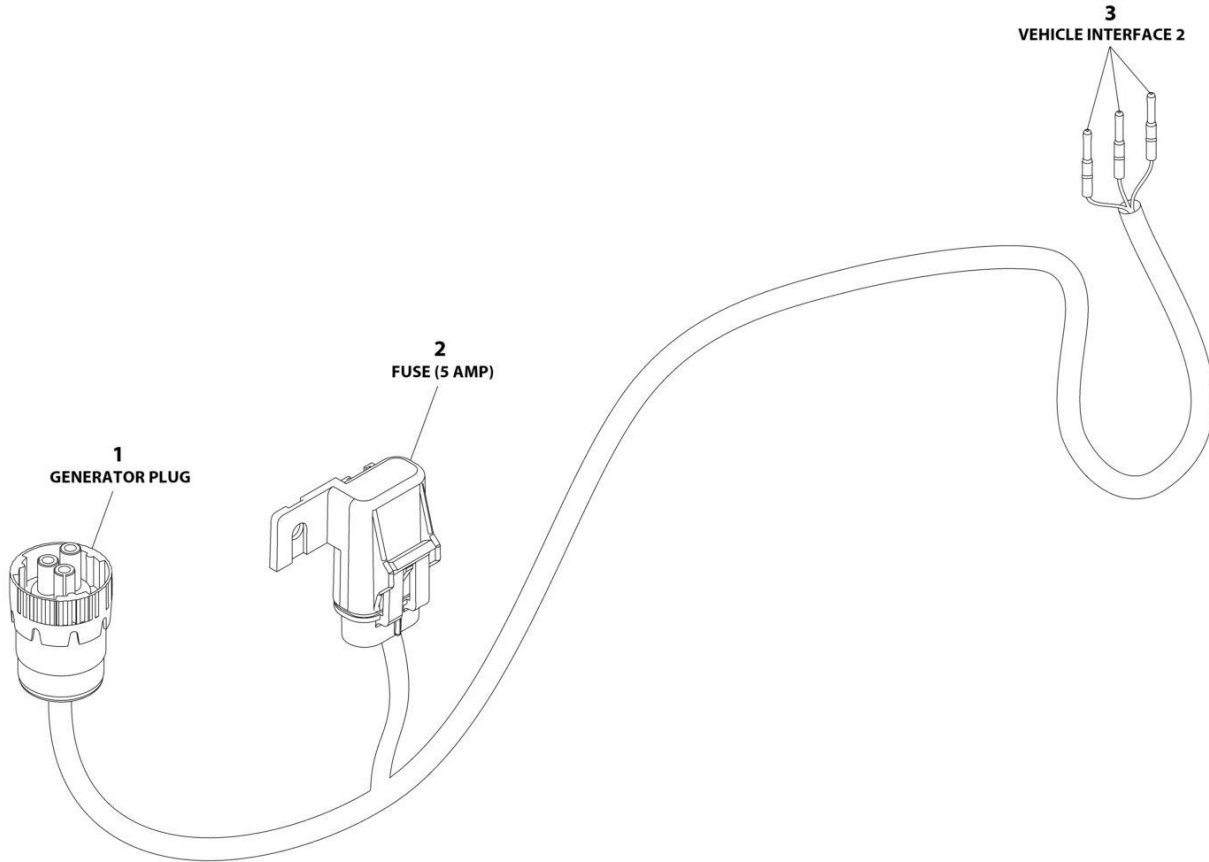
## SECTION 8 - ELECTRICAL

**FIGURE 8-53. GENERATOR TO ENGINE HARNESS - 7500W SKYPOWER GENERATOR (DEUTZ D2011 ENGINES)**

| ITEM | PART NUMBER | QTY | DESCRIPTION                 | REV |
|------|-------------|-----|-----------------------------|-----|
|      | 1001152429  | Ref | GENERATOR TO ENGINE HARNESS | C   |
| 1    | 4460043     | 1   | Terminal, Ring              |     |
| 2    | 4460742     | 1   | Plug, Male - 2 Position     |     |
| 3    | 4460967     | 1   | Connector - 3 Position      |     |
| 4    | 4460465     | 3   | Socket, Female              |     |
| 10   | 4460743     | 2   | Terminal, Female            |     |
| 11   | 4460458     | 2   | Seal                        |     |
| 12   | 2400060     | 1   | Fuseholder (Includes Cover) |     |
| 13   | 2400064     | 1   | Fuse - 5Amp                 |     |

# SECTION 8 - ELECTRICAL

FIGURE 8-54. GENERATOR TO ENGINE HARNESS - 7500W SKYPOWER (DEUTZ TD2.9L4 T4F ENGINES)



ART\_1001119968

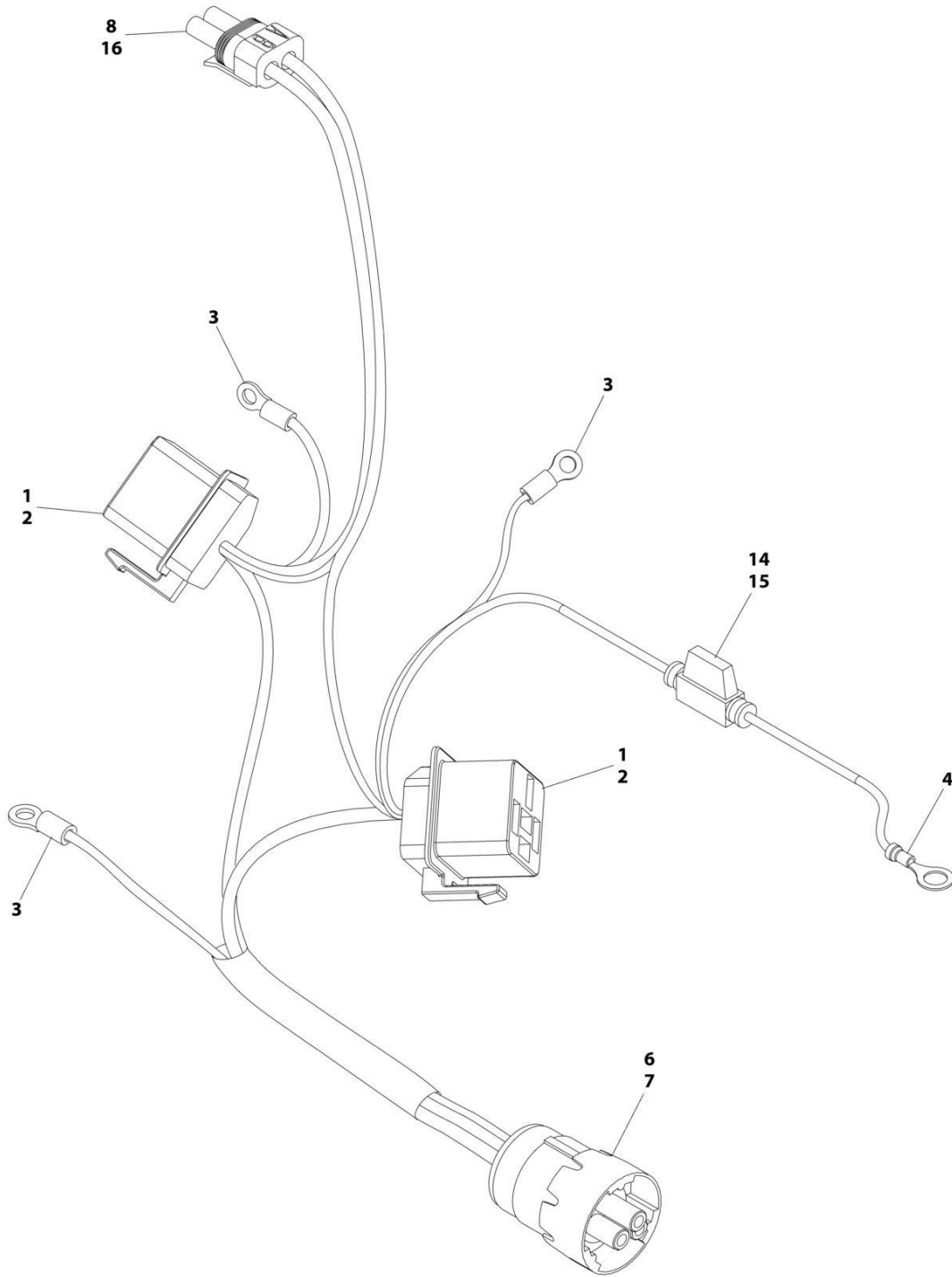
## SECTION 8 - ELECTRICAL

**FIGURE 8-54. GENERATOR TO ENGINE HARNESS - 7500W SKYPOWER (DEUTZ TD2.9L4 T4F ENGINES)**

| ITEM | PART NUMBER | QTY | DESCRIPTION                          | REV |
|------|-------------|-----|--------------------------------------|-----|
|      | 1001119968  | Ref | GENERATOR HARNESS - 7500W GENERATOR  | C   |
| 1    | 4460967     | 1   | Connector - 3 Position               |     |
| 1    | 4460465     | 3   | Socket, Female                       |     |
| 2    | 1001117078  | 1   | Connector, Metri-Pack with 5Amp Fuse |     |
| 3    | 4460465     | 3   | Socket, Female                       |     |

# SECTION 8 - ELECTRICAL

FIGURE 8-55. GENERATOR TO ENGINE HARNESS - 7500W SKYPOWER (FORD DF 2.5L ENGINES)  
(PVC 2001)



ART\_1001221208

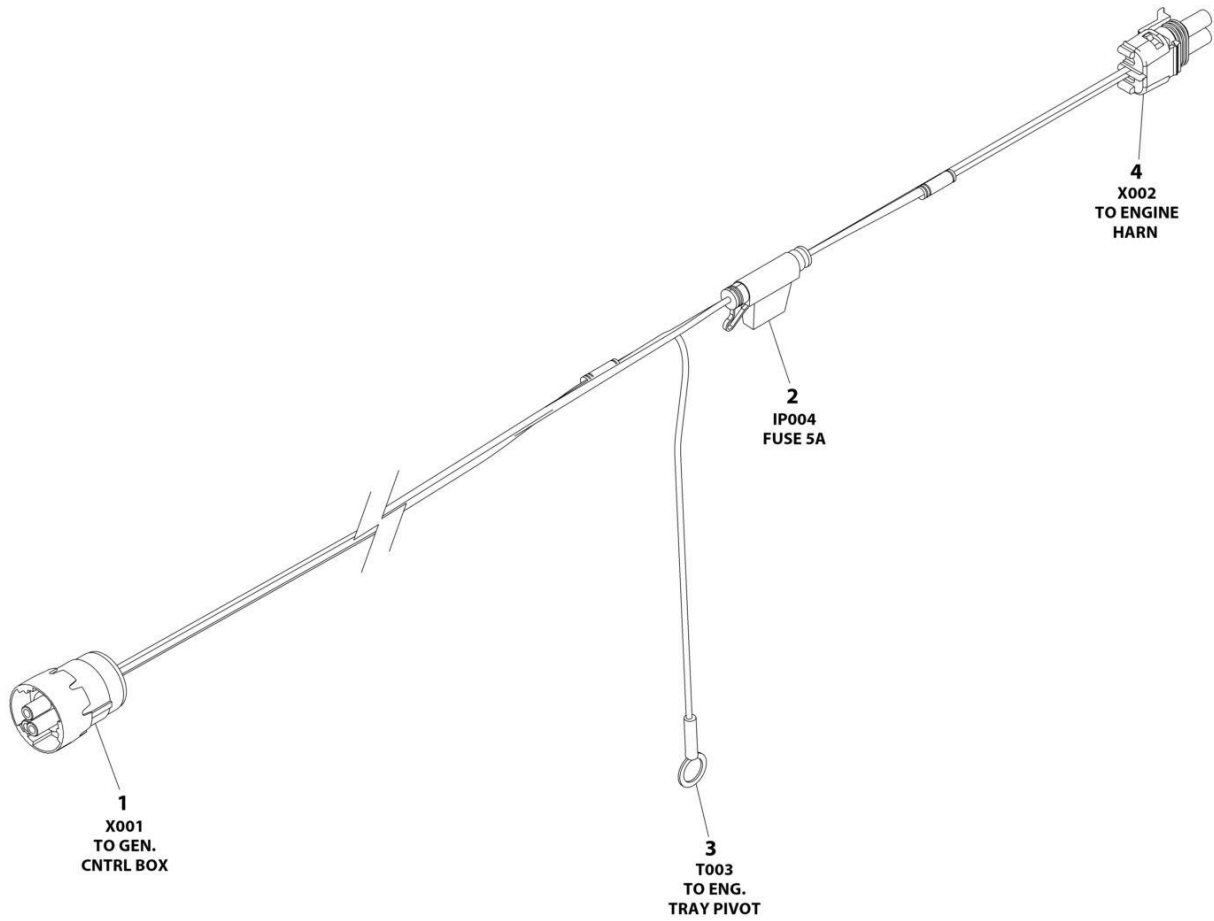
## SECTION 8 - ELECTRICAL

**FIGURE 8-55. GENERATOR TO ENGINE HARNESS - 7500W SKYPOWER (FORD DF 2.5L ENGINES)  
(PVC 2001)**

| ITEM | PART NUMBER | QTY | DESCRIPTION                 | REV |
|------|-------------|-----|-----------------------------|-----|
|      | 1001221208  | Ref | GENERATOR TO ENGINE HARNESS | A   |
| 1    | 4460374     | 2   | Plug, Sealed Relay          |     |
| 2    | 4460375     | 8   | Terminal                    |     |
| 3    | 4460043     | 3   | Terminal, Ring              |     |
| 4    | 4460670     | 1   | Terminal, Ring              |     |
| 6    | 4460967     | 1   | Plug, Male - 3 Position     |     |
| 7    | 4460465     | 3   | Socket, Female              |     |
| 8    | 4460742     | 1   | Plug, Male - 2 Position     |     |
| 14   | 2400060     | 1   | Fuseholder (Includes Cover) |     |
| 15   | 2400064     | 1   | Fuse - 5Amp                 |     |
| 16   | 4460743     | 2   | Socket, Female              |     |

# SECTION 8 - ELECTRICAL

FIGURE 8-56. GENERATOR TO ENGINE HARNESS - 7500W SKYPOWER (FORD DF 2.5L ENGINES)  
(PVC 2007)



ART\_1001257972



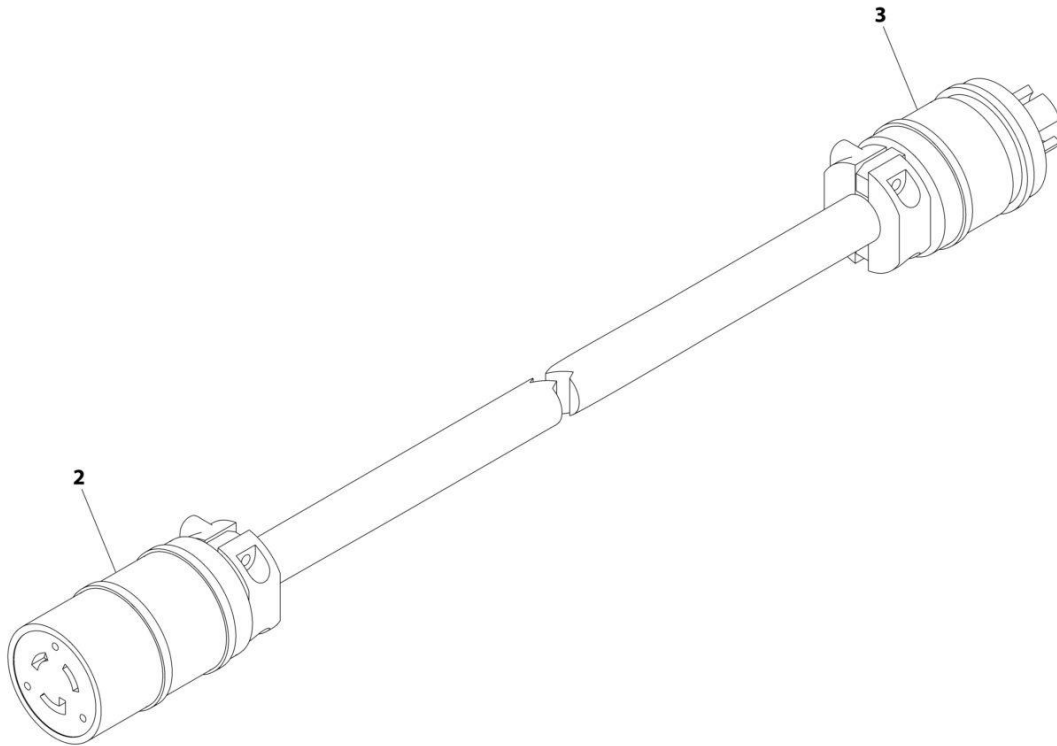
## SECTION 8 - ELECTRICAL

**FIGURE 8-56. GENERATOR TO ENGINE HARNESS - 7500W SKYPOWER (FORD DF 2.5L ENGINES)  
(PVC 2007)**

| ITEM | PART NUMBER | QTY | DESCRIPTION                  | REV |
|------|-------------|-----|------------------------------|-----|
|      | 1001257972  | Ref | GENERATOR TO ENGINE HARNESS  | A   |
| 1    | 4460967     | 1   | Plug, Male - 3 Position      |     |
| 1    | 4460465     | 3   | Socket, Female               |     |
| 2    | 2400060     | 1   | Fuse-holder (Includes Cover) |     |
| 2    | 2400064     | 1   | Fuse - 5Amp                  |     |
| 3    | 4460256     | 1   | Terminal, Ring               |     |
| 4    | 4460742     | 1   | Plug, Male - 2 Position      |     |
| 4    | 4460457     | 2   | Socket, Female               |     |
| 4    | 4460458     | 2   | Seal, Terminal               |     |

## SECTION 8 - ELECTRICAL

FIGURE 8-57. GENERATOR TO REAR OF BOOM HARNESS - 110V



ART\_4922741

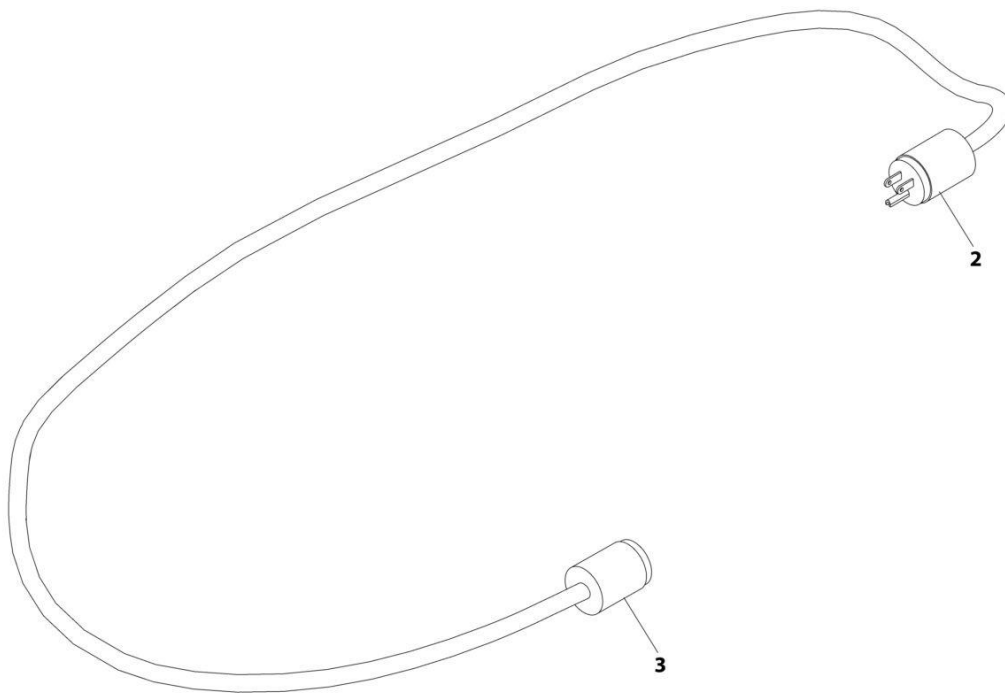
## SECTION 8 - ELECTRICAL

**FIGURE 8-57. GENERATOR TO REAR OF BOOM HARNESS - 110V**

| ITEM | PART NUMBER | QTY | DESCRIPTION                              | REV |
|------|-------------|-----|--|-----|
|      | 4922741     | Ref | GENERATOR TO REAR OF BOOM HARNESS - 110V | A   |
| 2    | 4460134     | 1   | Connector, Female                        |     |
| 3    | 4460205     | 1   | Plug, Male                               |     |

## SECTION 8 - ELECTRICAL

FIGURE 8-58. GENERATOR TO REAR OF BOOM HARNESS - 220V



ART\_4921955

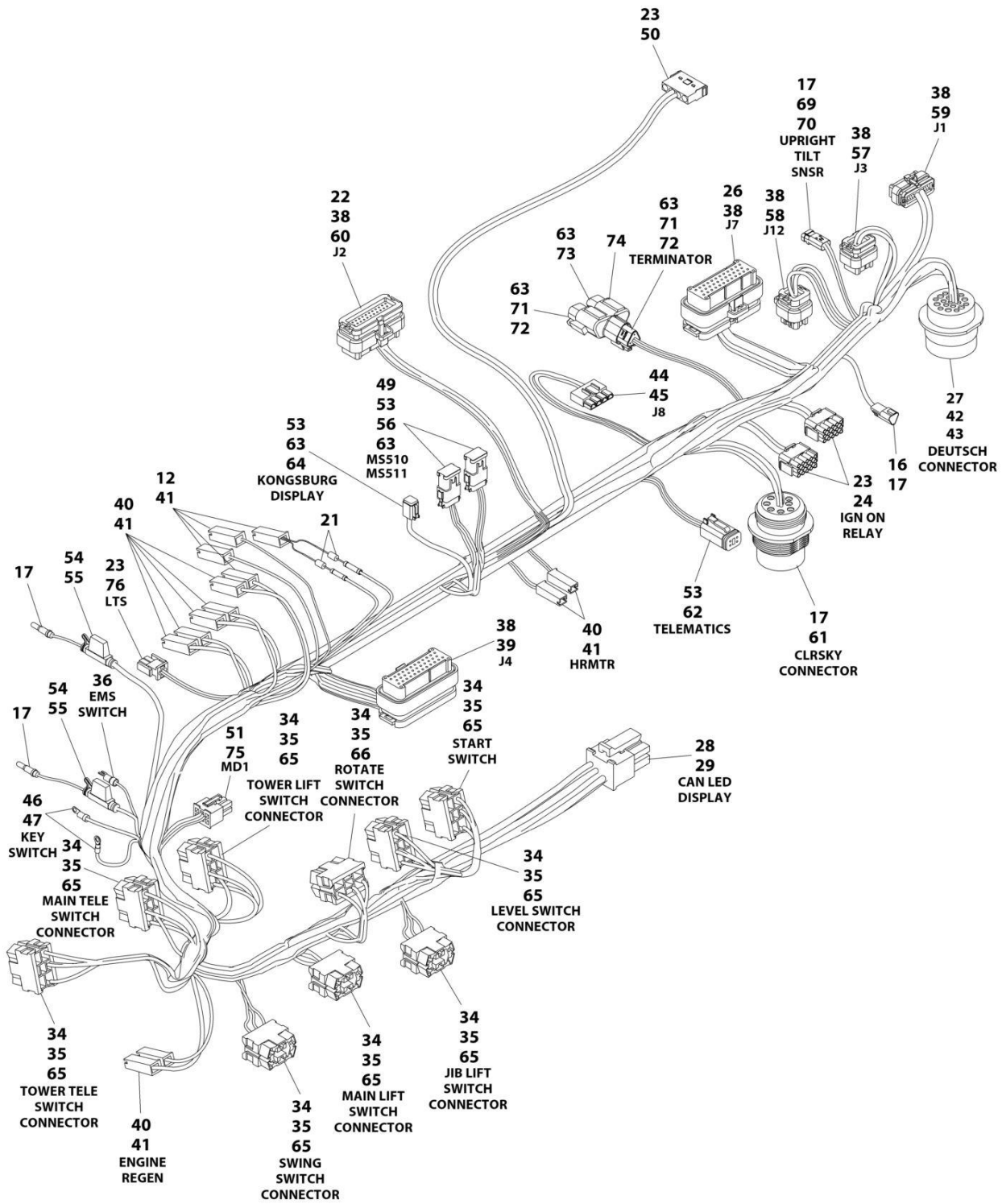
## SECTION 8 - ELECTRICAL

**FIGURE 8-58. GENERATOR TO REAR OF BOOM HARNESS - 220V**

| ITEM | PART NUMBER | QTY | DESCRIPTION                              | REV |
|------|-------------|-----|--|-----|
|      | 4921955     | Ref | GENERATOR TO REAR OF BOOM HARNESS - 220V | A   |
| 2    | 4460233     | 1   | Terminal, Plug                           |     |
| 3    | 4460701     | 1   | Terminal, Connector                      |     |

# SECTION 8 - ELECTRICAL

## FIGURE 8-59. GROUND CONTROL BOX HARNESS



ART\_1001243263\_F

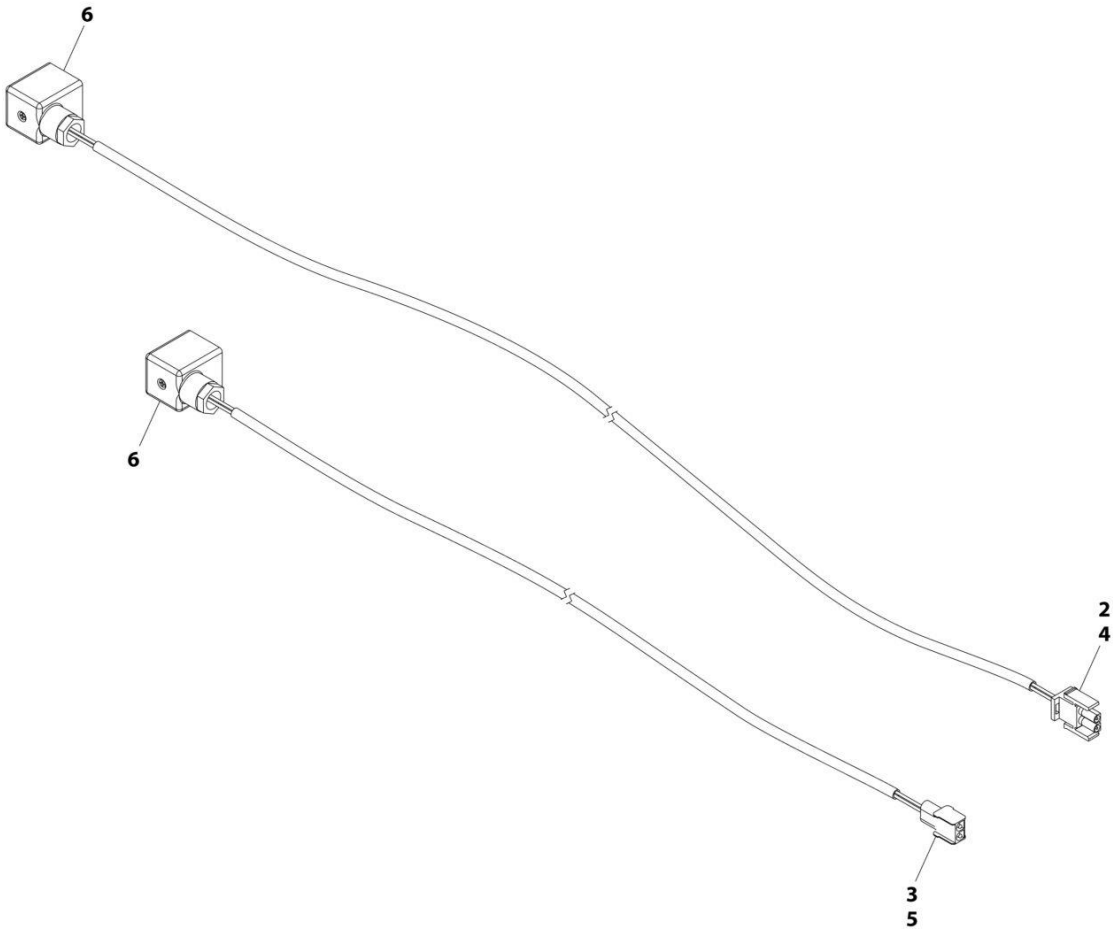
## SECTION 8 - ELECTRICAL

### FIGURE 8-59. GROUND CONTROL BOX HARNESS

| ITEM | PART NUMBER | QTY | DESCRIPTION                       | REV |
|------|-------------|-----|-----------------------------------|-----|
|      | 1001243263  | Ref | GROUND CONTROL BOX HARNESS        | F   |
| 12   | 4460297     | 4   | Terminal                          |     |
| 16   | 4460536     | 1   | Receptacle, Female - 3 Position   |     |
| 17   | 4460943     | 12  | Pin, Male                         |     |
| 21   | 3990010     | 2   | Diode, 6 Amp                      |     |
| 22   | 4460905     | 2   | Seal, Terminal                    |     |
| 23   | 4460227     | 34  | Pin, Male                         |     |
| 24   | 4460434     | 2   | Plug Male - 15 Position           |     |
| 26   | 4460873     | 1   | Connector - 35 Position           |     |
| 27   | 4460508     | 3   | Terminal                          |     |
| 28   | 1001237667  | 1   | Plug Male - 6 Position            |     |
| 29   | 1001237668  | 5   | Terminal                          |     |
| 34   | 1001159186  | 18  | Terminal                          |     |
| 35   | 4460418     | 9   | Connector, Switch                 |     |
| 36   | 4460806     | 5   | Terminal, Fork                    |     |
| 38   | 4460871     | 73  | Socket, Female                    |     |
| 39   | 4460876     | 1   | Connector - 35 Position           |     |
| 40   | 4460259     | 9   | Terminal                          |     |
| 41   | 4460260     | 13  | Housing, Terminal                 |     |
| 42   | 4460464     | 10  | Pin, Male                         |     |
| 43   | 4460866     | 1   | Connector - 19 Position           |     |
| 44   | 4460878     | 1   | Plug Male - 4 Position            |     |
| 45   | 4460887     | 3   | Terminal                          |     |
| 46   | 4460142     | 4   | Terminal, Ring                    |     |
| 47   | 4460313     | 3   | Terminal                          |     |
| 49   | 1001119020  | 1   | Connector, Buss Bar - 12 Position |     |
| 50   | 4460761     | 1   | Receptacle, Female - 4 Position   |     |
| 51   | 4460868     | AR  | Terminal                          |     |
| 53   | 4460465     | 30  | Socket, Female                    |     |
| 54   | 2400060     | 2   | Fuse Holder, Includes Cover       |     |
| 55   | 8229242     | 2   | Fuse 5Amp                         |     |
| 56   | 4460933     | 2   | Plug, Male - 12 Position          |     |
| 57   | 4460872     | 1   | Connector - 14 Position           |     |
| 58   | 1001113961  | 1   | Connector - 8 Position            |     |
| 59   | 4460874     | 1   | Connector - 35 Position           |     |
| 60   | 4460875     | 1   | Connector - 35 Position           |     |
| 61   | 1001112612  | 1   | Connector - 9 Position            |     |
| 62   | 4460884     | 1   | Plug, Male - 4 Position           |     |
| 63   | 4460466     | 9   | Plug, Terminal                    |     |
| 64   | 4460894     | 1   | Plug, Male - 6 Position           |     |
| 65   | 4460419     | 8   | Terminal                          |     |
| 66   | 1001191598  | 1   | Terminal                          |     |
| 69   | 1001229530  | 1   | Receptacle, Female - 3 Position   |     |
| 70   | 1001200497  | 1   | Plug, Male - 3 Position           |     |
| 71   | 1001116812  | 2   | Plug, Male - 3 Position           |     |
| 72   | 4460944     | 2   | Socket, Female                    |     |
| 73   | 1001116815  | 1   | Plug, Male - 3 Position           |     |
| 74   | 4460945     | 1   | Connector, 3-Way Tee              |     |
| 75   | 4460877     | 1   | Terminal                          |     |
| 76   | 4460320     | 1   | Connector - 2 Position            |     |

# SECTION 8 - ELECTRICAL

FIGURE 8-60. HOLDING VALVE/LIFT DUMP HARNESS ASSEMBLY (WITHOUT ARCTIC PACKAGE)



ART\_4922660



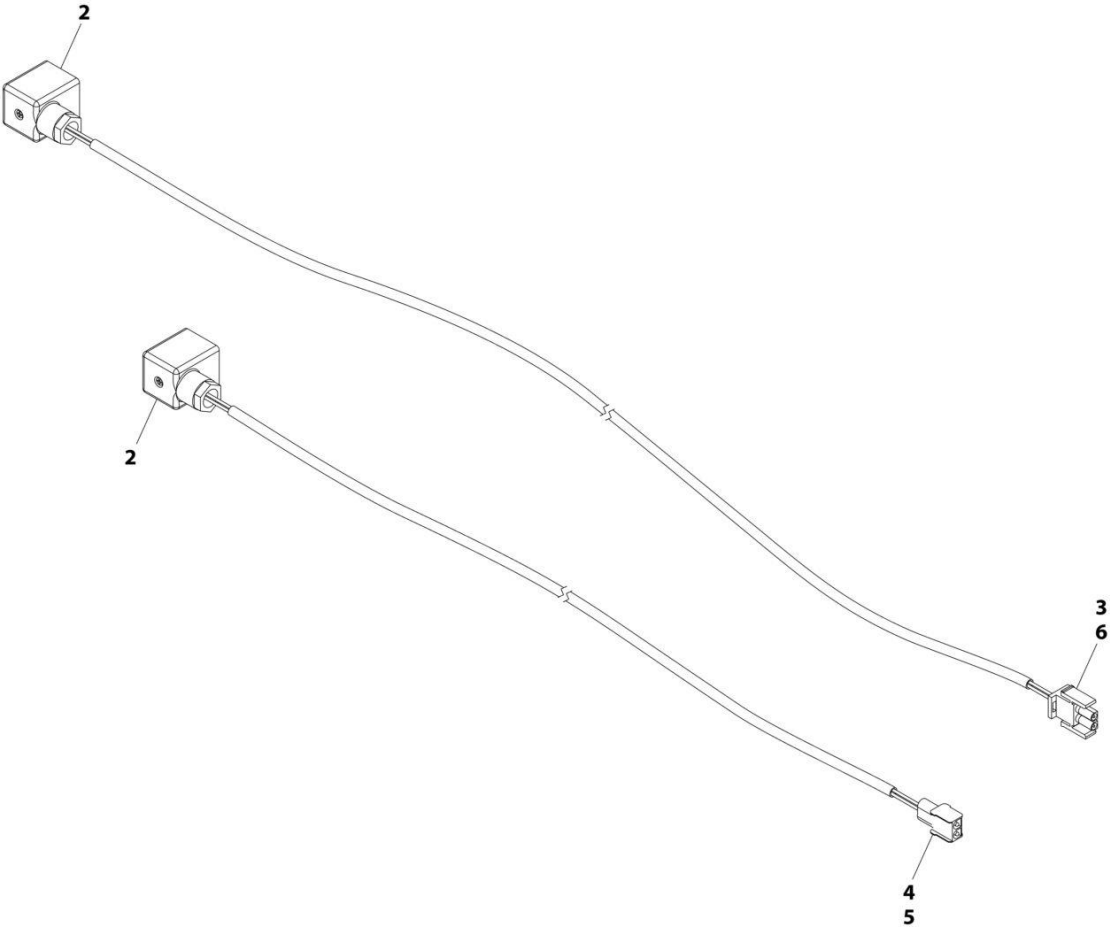
## SECTION 8 - ELECTRICAL

**FIGURE 8-60. HOLDING VALVE/LIFT DUMP HARNESS ASSEMBLY (WITHOUT ARCTIC PACKAGE)**

| ITEM | PART NUMBER | QTY | DESCRIPTION                              | REV |
|------|-------------|-----|--|-----|
|      | 4922660     | Ref | HOLDING VALVE/LIFT DUMP HARNESS ASSEMBLY | E   |
| 2    | 4460226     | 2   | Socket, Female                           |     |
| 3    | 4460267     | 2   | Pin, Male                                |     |
| 4    | 4460320     | 1   | Connector - 2 Position                   |     |
| 5    | 4460424     | 1   | Connector - 2 Position                   |     |
| 6    | 4460880     | 2   | Connector, Din                           |     |

# SECTION 8 - ELECTRICAL

FIGURE 8-61. HOLDING VALVE/LIFT DUMP HARNESS ASSEMBLY (WITH ARCTIC PACKAGE)



ART\_4923597

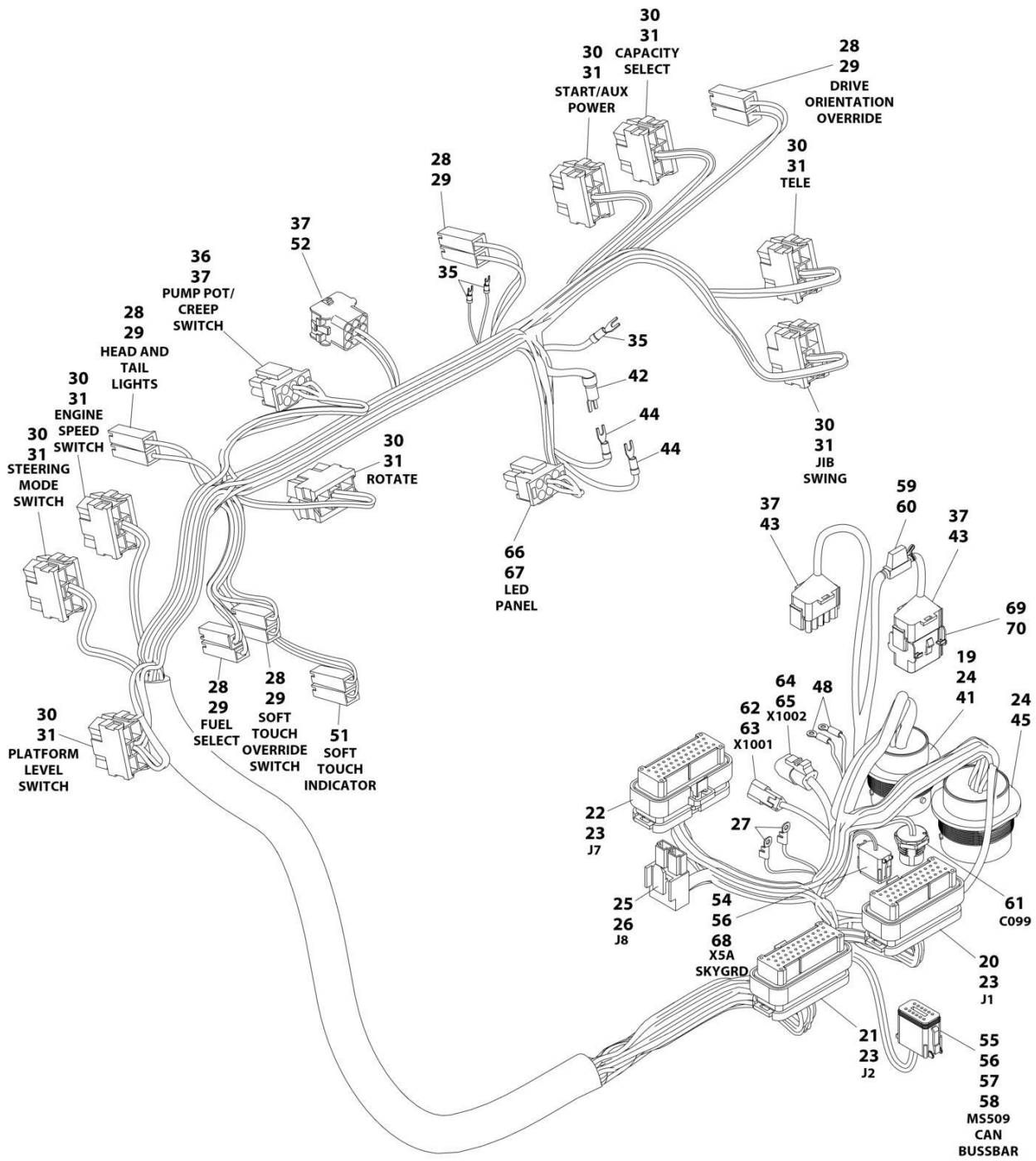
## SECTION 8 - ELECTRICAL

**FIGURE 8-61. HOLDING VALVE/LIFT DUMP HARNESS ASSEMBLY (WITH ARCTIC PACKAGE)**

| ITEM | PART NUMBER | QTY | DESCRIPTION                              | REV |
|------|-------------|-----|--|-----|
|      | 4923597     | Ref | HOLDING VALVE/LIFT DUMP HARNESS ASSEMBLY | 1   |
| 2    | 4460880     | 2   | Connector, Din                           |     |
| 3    | 4460320     | 1   | Connector - 2 Position                   |     |
| 4    | 4460424     | 1   | Connector - 2 Position                   |     |
| 5    | 4460267     | 2   | Pin, Male                                |     |
| 6    | 4460226     | 2   | Socket, Female                           |     |

# SECTION 8 - ELECTRICAL

## FIGURE 8-62. PLATFORM CONSOLE BOX HARNESS



ART\_1001244181

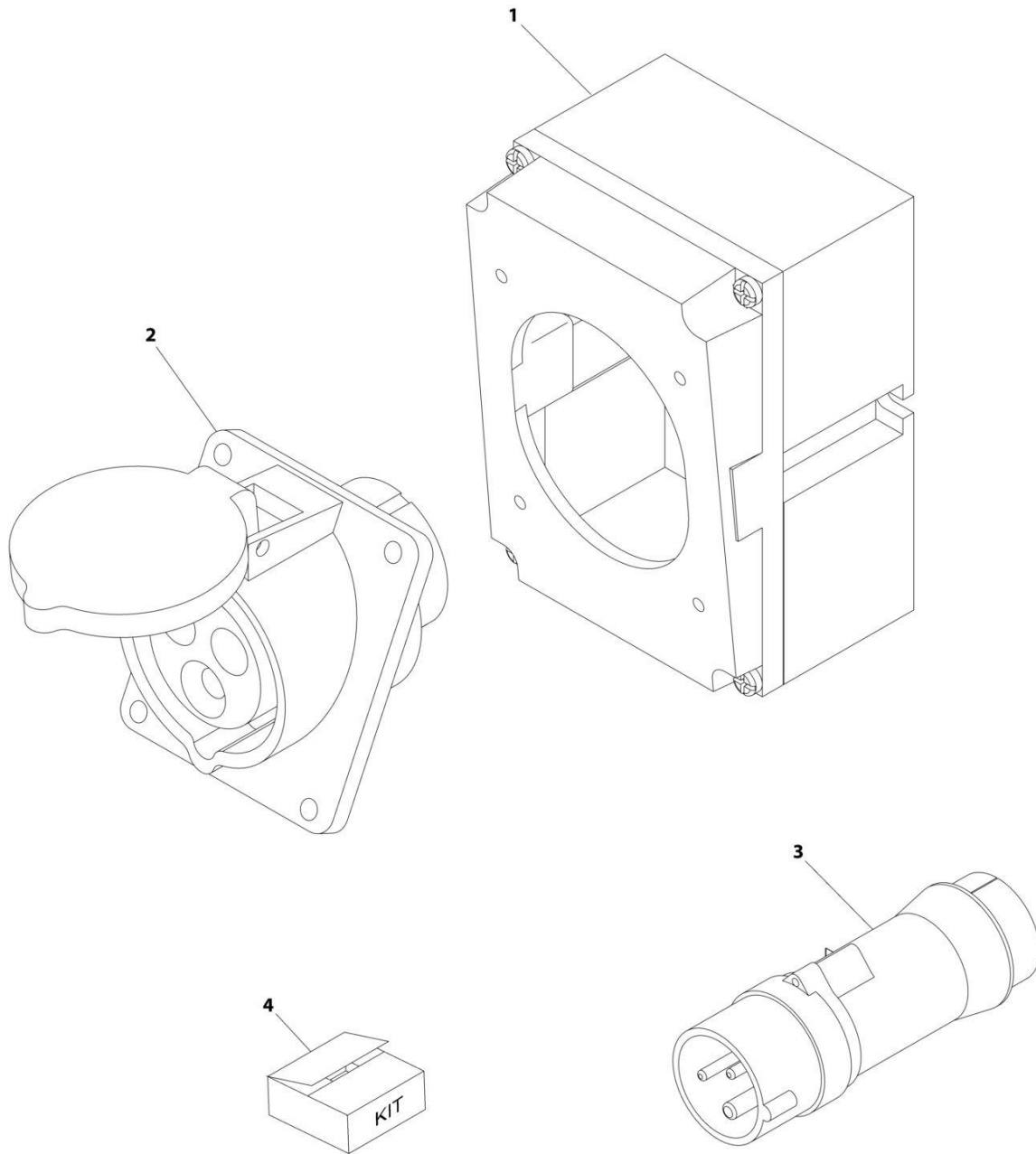
## SECTION 8 - ELECTRICAL

**FIGURE 8-62. PLATFORM CONSOLE BOX HARNESS**

| ITEM | PART NUMBER | QTY | DESCRIPTION                       | REV |
|------|-------------|-----|-----------------------------------|-----|
|      | 1001244181  | 1   | PLATFORM CONSOLE BOX HARNESS      | D   |
| 20   | 4460874     | 1   | Connector - 35 Position (Natural) |     |
| 21   | 4460876     | 1   | Connector - 35 Position (Blue)    |     |
| 22   | 4460873     | 1   | Connector - 35 Position (Black)   |     |
| 23   | 4460871     | 68  | Socket, Female                    |     |
| 24   | 4460464     | 24  | Pin, Male Deutsch 16 Ga           |     |
| 25   | 4460879     | 1   | Connector - 2 Position            |     |
| 26   | 4460887     | 2   | Terminal                          |     |
| 27   | 1001098122  | 2   | Terminal Eyelet                   |     |
| 28   | 4460260     | 10  | Terminal, Housing                 |     |
| 29   | 4460259     | 10  | Terminal                          |     |
| 30   | 4460418     | 8   | Connector, Female - 6 Position    |     |
| 31   | 4460419     | 8   | Socket, Female                    |     |
| 32   | 4460905     | AR  | Plug                              |     |
| 33   | 4460226     | 18  | Terminal (16 Gauge)               |     |
| 35   | 4460888     | 3   | Terminal, Fork                    |     |
| 36   | 4460225     | 1   | Connector - 6 Position            |     |
| 37   | 4460227     | 26  | Pin, Male                         |     |
| 41   | 4460508     | 5   | Pin, Male Deutsch 12 Ga           |     |
| 42   | 4460806     | 1   | Terminal, Fork                    |     |
| 43   | 4460434     | 2   | Connector - 15 Position           |     |
| 44   | 4460183     | 10  | Terminal, Fork                    |     |
| 45   | 4460925     | 1   | Connector - 21 Pin                |     |
| 48   | 4460142     | 2   | Terminal, Eyelet                  |     |
| 51   | 4460016     | 2   | Terminal                          |     |
| 52   | 4460266     | 1   | Connector - 9 Position            |     |
| 54   | 4460894     | 1   | Connector - 6 Position            |     |
| 55   | 4460933     | 1   | Connector, Gray - 12 Position     |     |
| 56   | 4460466     | AR  | Plug                              |     |
| 57   | 1001119020  | 1   | Bussbar - 12 Position             |     |
| 58   | 4460944     | 11  | Socket, Female (Gold)             |     |
| 59   | 2400060     | 1   | Fuse, Holder                      |     |
| 60   | 8229249     | 1   | Fuse, 3 Amp                       |     |
| 61   | 1001213447  | 1   | Connector - 5 Position            |     |
| 62   | 4460536     | 1   | Connector - 3 Position            |     |
| 63   | 4460943     | 3   | Pin, Male (Gold)                  |     |
| 64   | 4460539     | 1   | Plug, Male - 3 Position           |     |
| 65   | 4460944     | 3   | Socket, Female (Gold)             |     |
| 66   | 1001237667  | 1   | Plug, Male - 6 Position           |     |
| 67   | 1001237668  | 4   | Socket, Female                    |     |
| 68   | 4460465     | 5   | Socket, Female                    |     |
| 69   | 4460708     | 1   | Connector - 15 Position           |     |
| 70   | 4460226     | 2   | Socket, Female                    |     |

# SECTION 8 - ELECTRICAL

FIGURE 8-63. RECEPTACLE BOX KIT - 110V IEC YELLOW WITHOUT 2500W GENERATOR (CE SPECS)



ART\_0275216

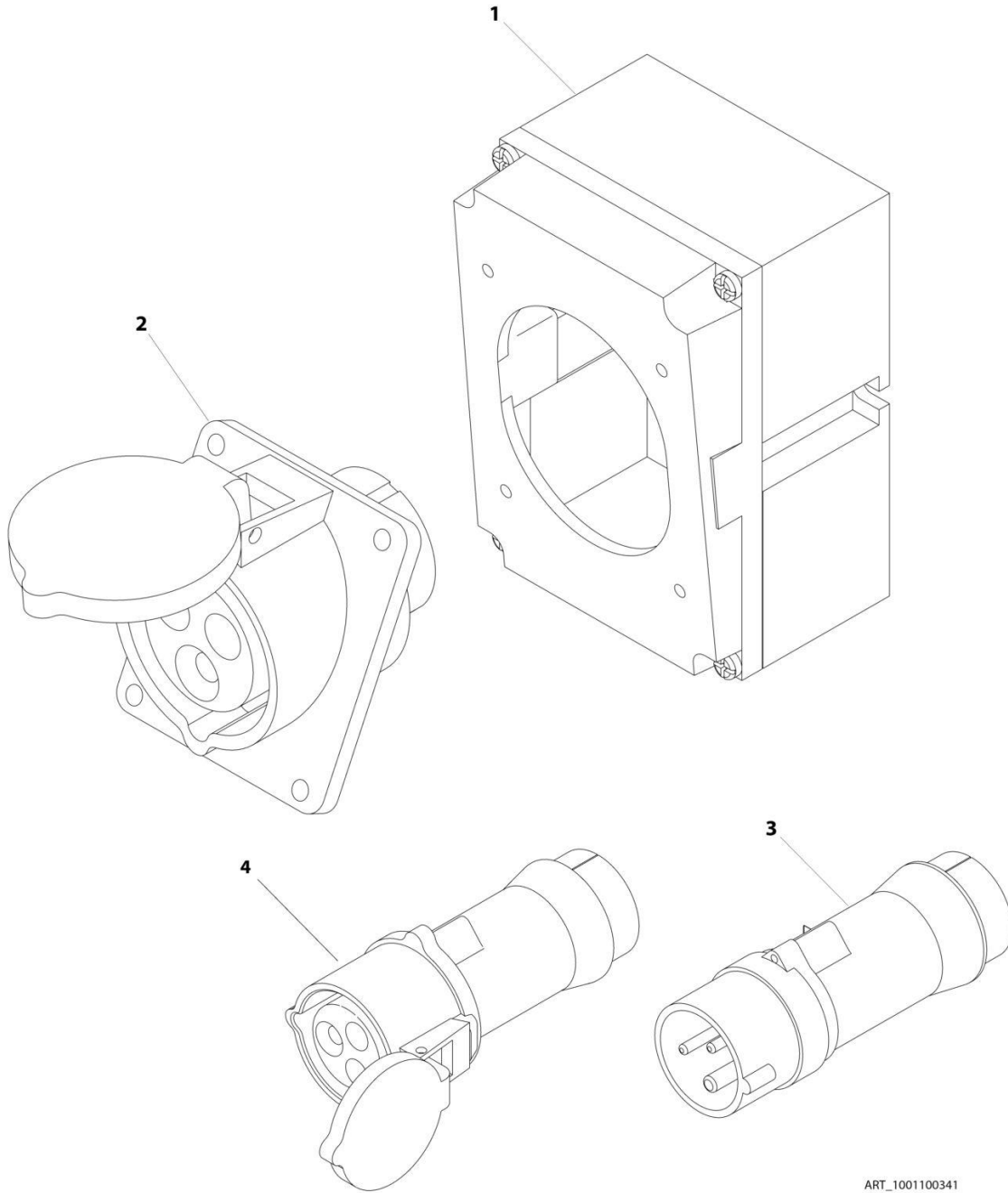
## SECTION 8 - ELECTRICAL

**FIGURE 8-63. RECEPTACLE BOX KIT - 110V IEC YELLOW WITHOUT 2500W GENERATOR (CE SPECS)**

| ITEM | PART NUMBER | QTY | DESCRIPTION  | REV |
|------|-------------|-----|--|-----|
|      | 0275216     | Ref | RECEPTACLE BOX KIT - 110V IEC YELLOW                                 | 1   |
| 1    | 0861781     | 1   | Box, Switch  |     |
| 2    | 4461198     | 1   | Receptacle   |     |
| 3    | 4461196     | 1   | Plug, Male   |     |
| 4    | 1001100341  | 1   | Plug and Socket Kit (Includes Items 1-3 and Female Plug p/n 4461197) |     |

# SECTION 8 - ELECTRICAL

FIGURE 8-64. RECEPTACLE BOX KIT - 110V IEC YELLOW WITH 2500W GENERATOR (CE SPECS)



ART\_1001100341



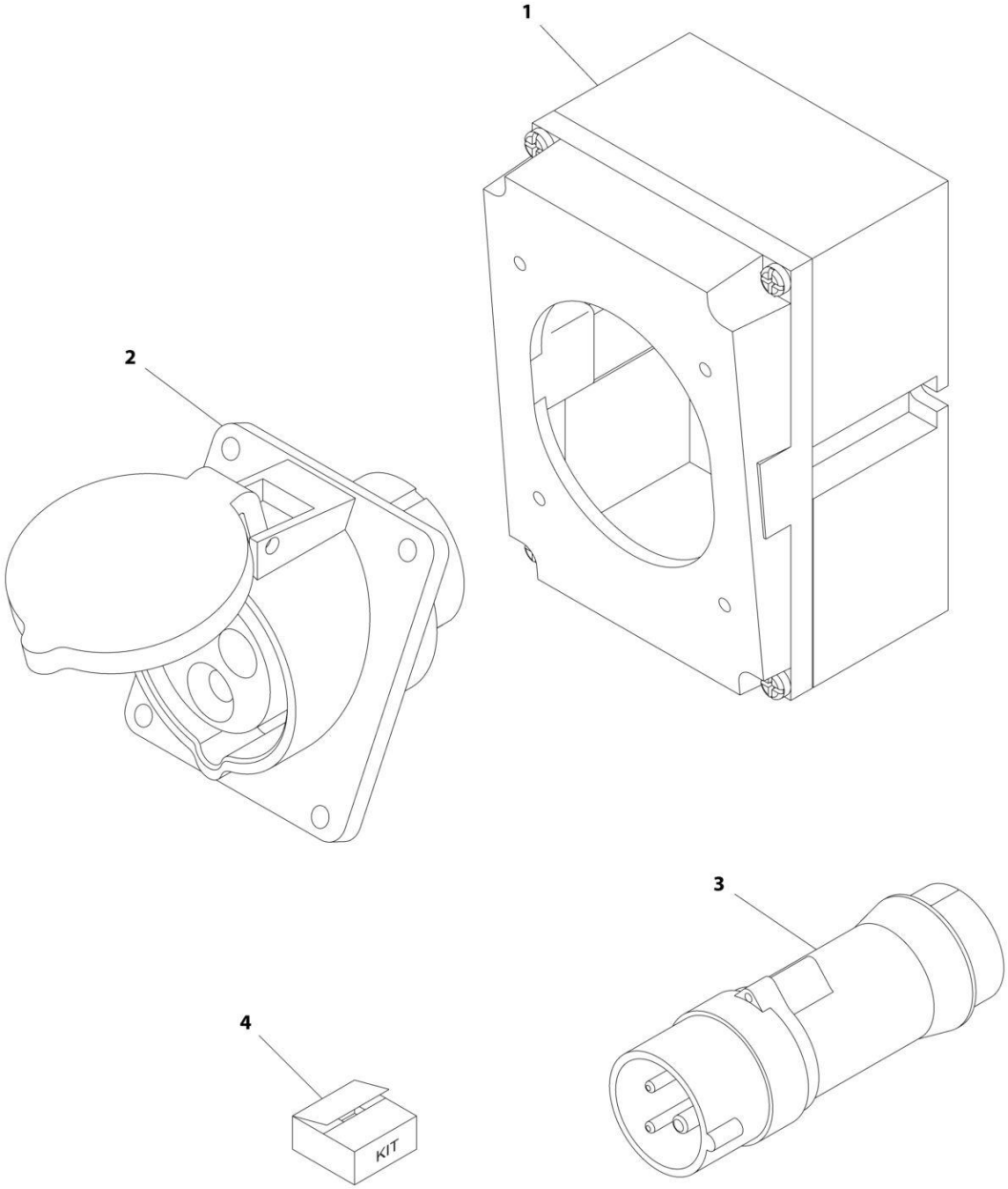
## SECTION 8 - ELECTRICAL

**FIGURE 8-64. RECEPTACLE BOX KIT - 110V IEC YELLOW WITH 2500W GENERATOR (CE SPECS)**

| ITEM | PART NUMBER | QTY | DESCRIPTION                          | REV |
|------|-------------|-----|--------------------------------------|-----|
|      | 1001100341  | Ref | RECEPTACLE BOX KIT - 110V IEC YELLOW | 2   |
| 1    | 0861781     | 1   | Box, Switch                          |     |
| 2    | 4461198     | 1   | Receptacle                           |     |
| 3    | 4461196     | 1   | Plug, Male                           |     |
| 4    | 4461197     | 1   | Plug, Female                         |     |

**SECTION 8 - ELECTRICAL**

**FIGURE 8-65. RECEPTACLE BOX KIT - 220V IEC BLUE WITHOUT 2500W GENERATOR (CE SPECS)**



ART\_0275217

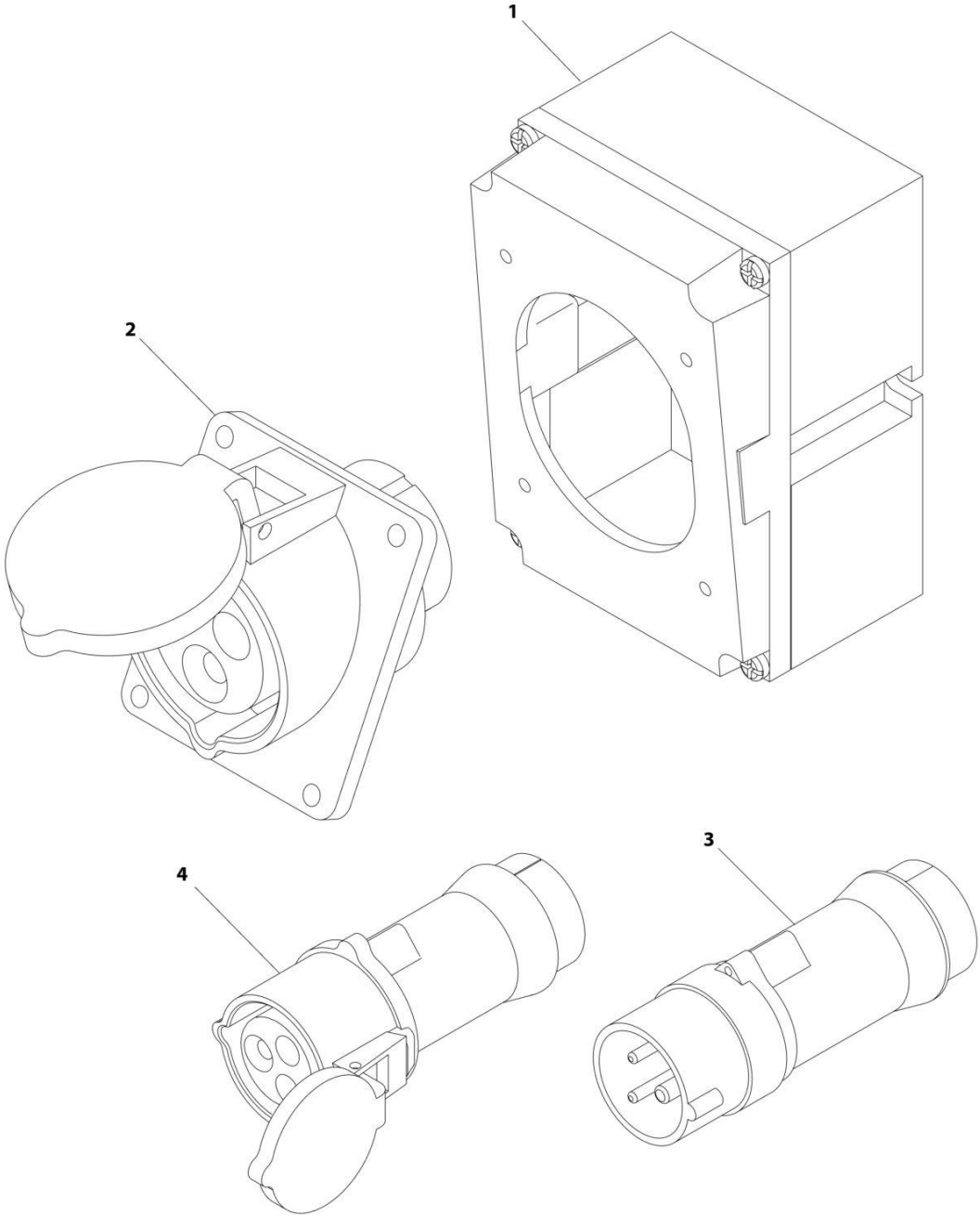
## SECTION 8 - ELECTRICAL

**FIGURE 8-65. RECEPTACLE BOX KIT - 220V IEC BLUE WITHOUT 2500W GENERATOR (CE SPECS)**

| ITEM | PART NUMBER | QTY | DESCRIPTION  | REV |
|------|-------------|-----|--|-----|
|      | 0275217     | Ref | RECEPTACLE BOX KIT - 220V IEC BLUE                                   | 1   |
| 1    | 0861781     | 1   | Box, Switch  |     |
| 2    | 4461201     | 1   | Receptacle   |     |
| 3    | 4461199     | 1   | Plug, Male   |     |
| 4    | 1001100342  | 1   | Plug and Socket Kit (Includes Items 1-3 and Female Plug p/n 4461200) |     |

**SECTION 8 - ELECTRICAL**

**FIGURE 8-66. RECEPTACLE BOX KIT - 220V IEC BLUE WITH 2500W GENERATOR (CE SPECS)**



ART\_1001100342

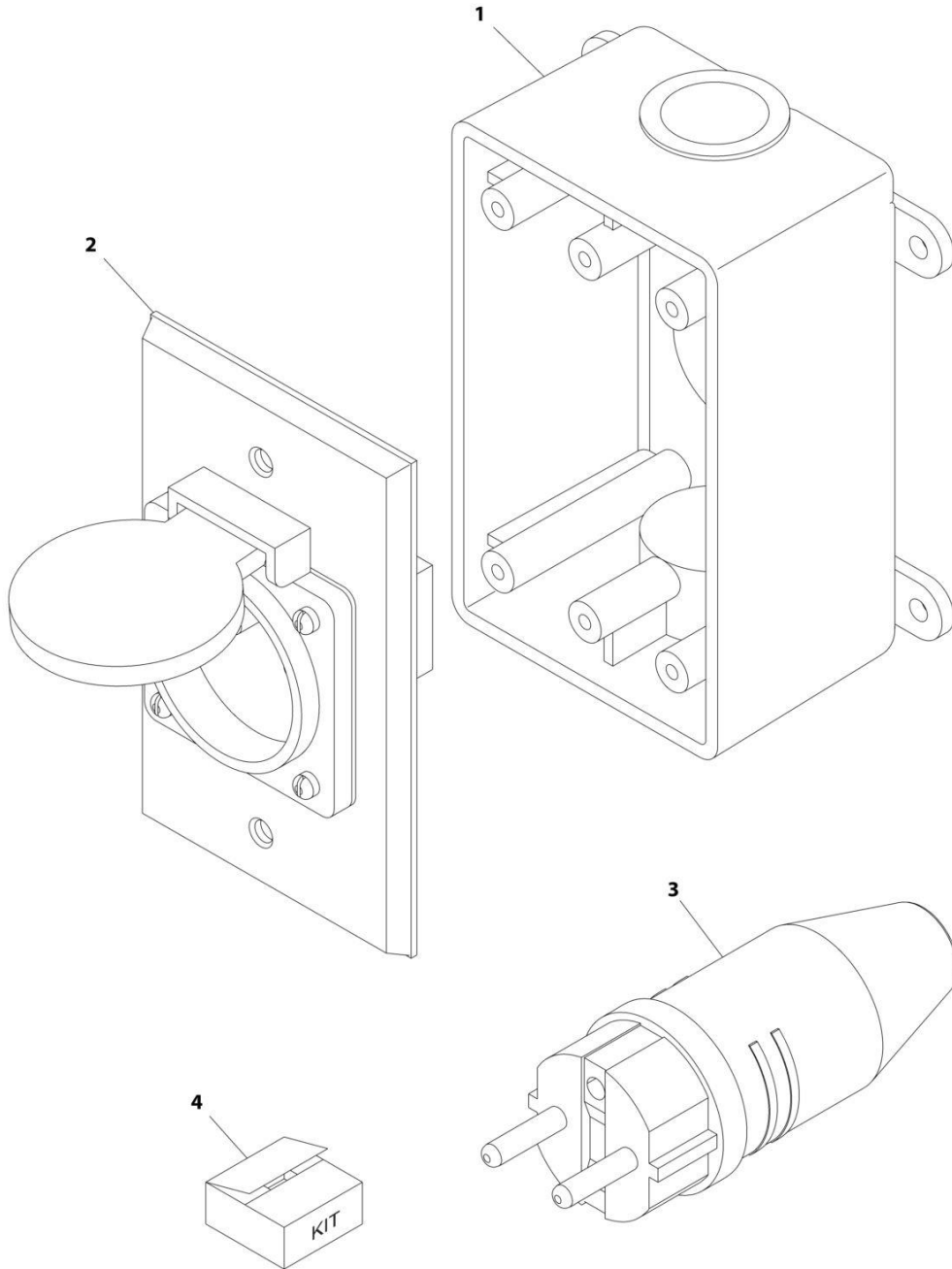
## SECTION 8 - ELECTRICAL

**FIGURE 8-66. RECEPTACLE BOX KIT - 220V IEC BLUE WITH 2500W GENERATOR (CE SPECS)**

| ITEM | PART NUMBER | QTY | DESCRIPTION  | REV |
|------|-------------|-----|--|-----|
|      | 1001100342  | Ref | RECEPTACLE BOX KIT - 220V IEC BLUE WITH 2500W GENERATOR (CE SPECS) | 2   |
| 1    | 0861781     | 1   | Box, Switch  |     |
| 2    | 4461201     | 1   | Receptacle   |     |
| 3    | 4461199     | 1   | Plug, Male   |     |
| 4    | 4461200     | 1   | Plug, Female   |     |

# SECTION 8 - ELECTRICAL

FIGURE 8-67. RECEPTACLE BOX KIT - 220V CEE7 POST GROUND 2X4 BOX (CE SPEC)



ART\_0275452-C

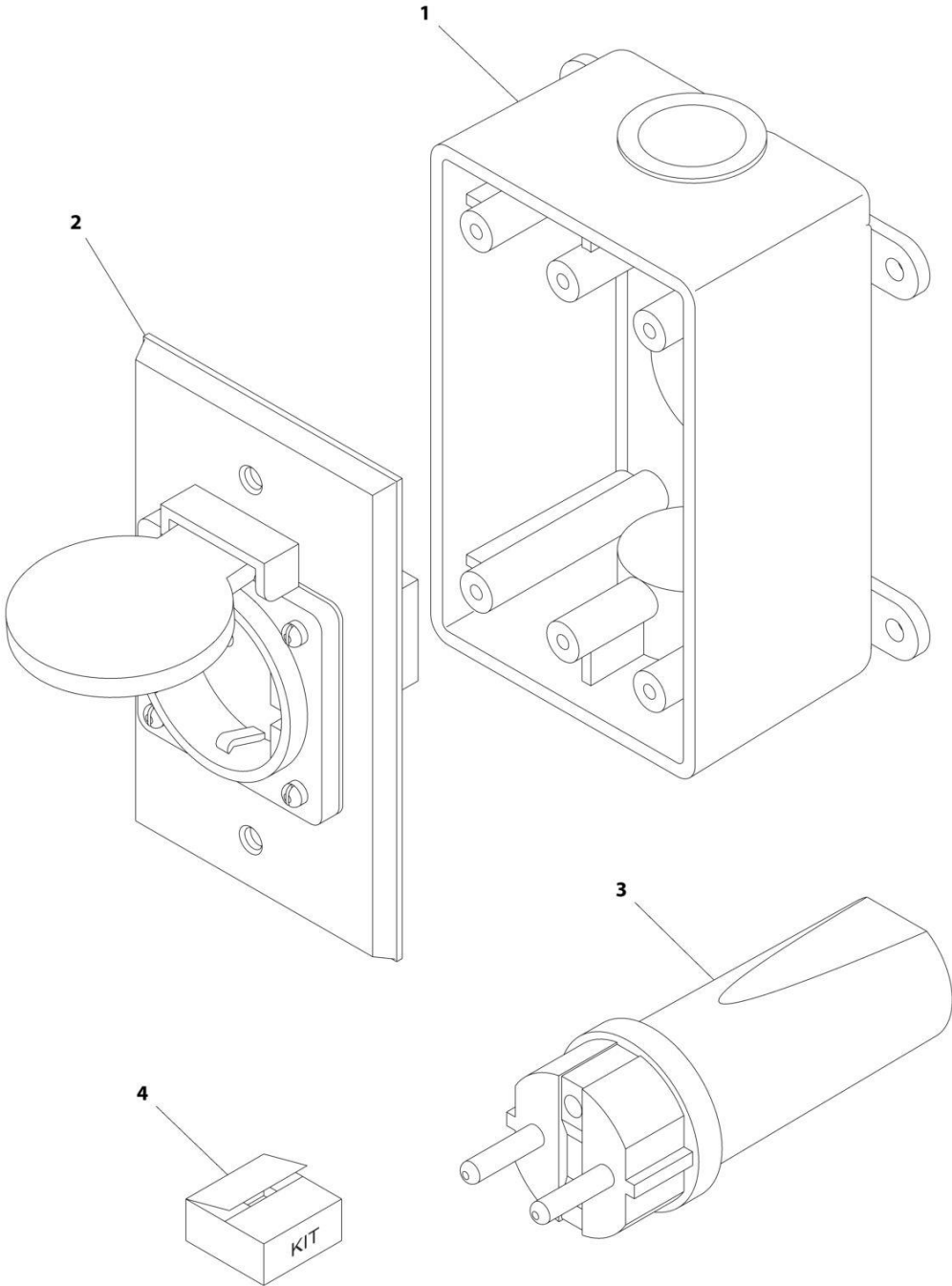
## SECTION 8 - ELECTRICAL

**FIGURE 8-67. RECEPTACLE BOX KIT - 220V CEE7 POST GROUND 2X4 BOX (CE SPEC)**

| ITEM | PART NUMBER | QTY | DESCRIPTION  | REV |
|------|-------------|-----|--|-----|
|      | 0275452     | Ref | RECEPTACLE BOX KIT - 220V CEE7 POST GROUND                           | C   |
| 1    | 0861731     | 1   | Box, Switch  |     |
| 2    | 4461244     | 1   | Receptacle   |     |
| 3    | 4461205     | 1   | Plug, Male   |     |
| 4    | 1001100345  | 1   | Plug and Socket Kit (Includes Items 1-3 and Female Plug p/n 4461203) |     |

**SECTION 8 - ELECTRICAL**

**FIGURE 8-68. RECEPTACLE BOX KIT - 220V CEE7 SIDE GROUND 2X4 BOX (CE SPEC)**



ART\_0275453



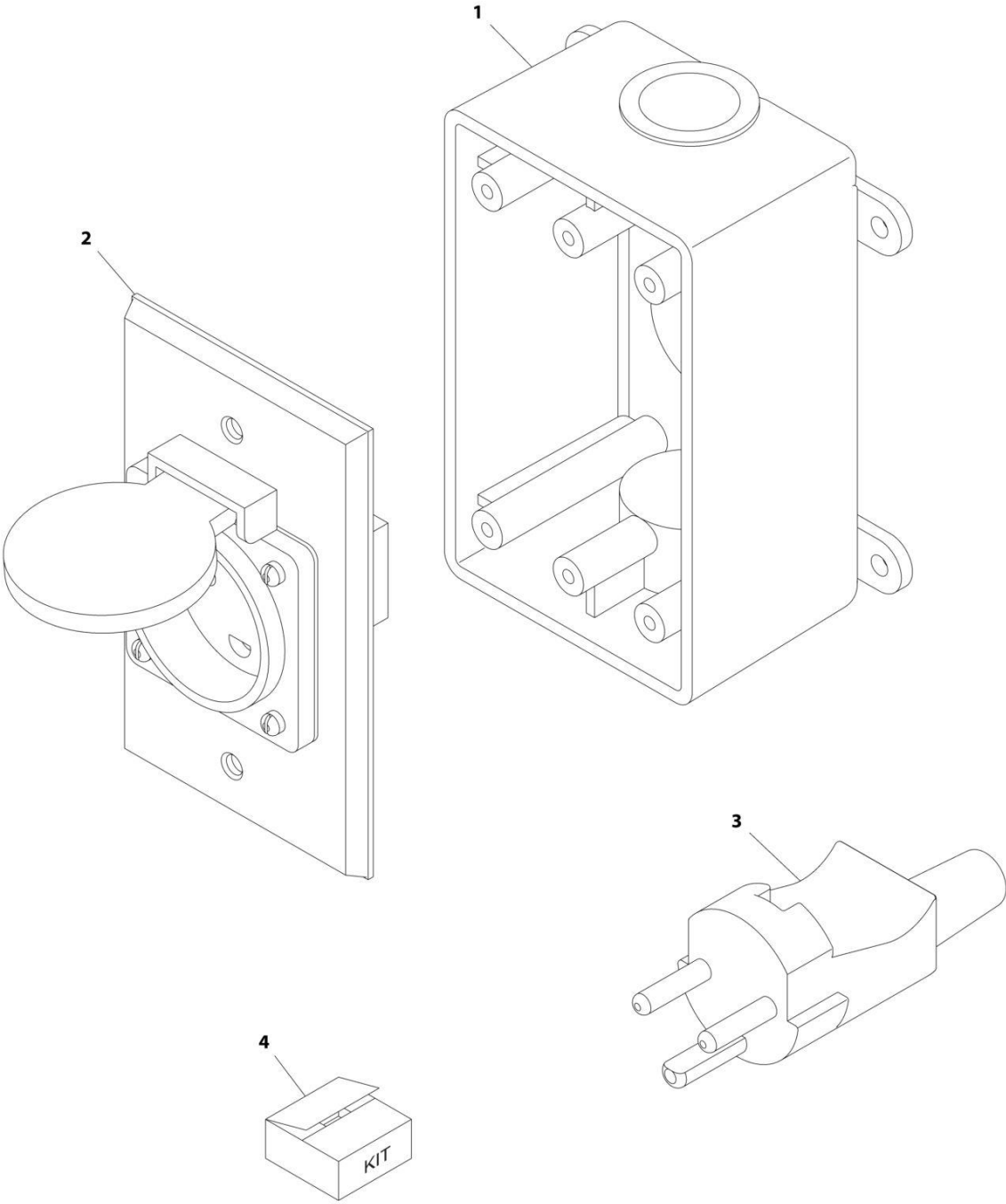
## SECTION 8 - ELECTRICAL

**FIGURE 8-68. RECEPTACLE BOX KIT - 220V CEE7 SIDE GROUND 2X4 BOX (CE SPEC)**

| ITEM | PART NUMBER | QTY | DESCRIPTION  | REV |
|------|-------------|-----|--|-----|
|      | 0275453     | Ref | RECEPTACLE BOX KIT - 220V CEE7 SIDE GROUND                           | 1   |
| 1    | 0861731     | 1   | Box, Switch  |     |
| 2    | 4461245     | 1   | Receptacle   |     |
| 3    | 4461205     | 1   | Plug, Male   |     |
| 4    | 1001100347  | 1   | Plug and Socket Kit (Includes Items 1-3 and Female Plug p/n 4461206) |     |

**SECTION 8 - ELECTRICAL**

**FIGURE 8-69. RECEPTACLE BOX KIT - 220V AFSINT107 KEYED GROUND (CE SPECS)**



ART\_0275454

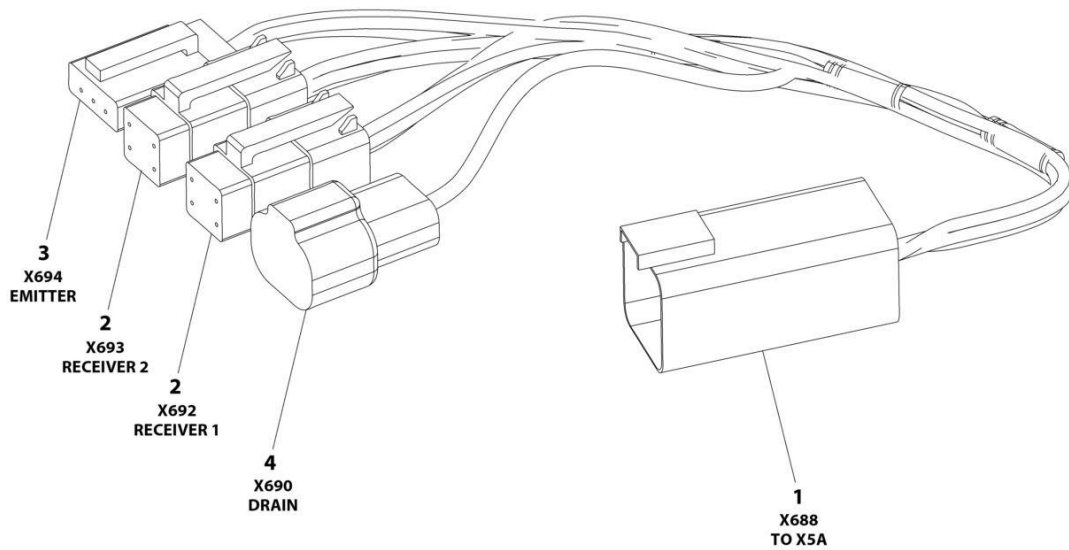
## SECTION 8 - ELECTRICAL

**FIGURE 8-69. RECEPTACLE BOX KIT - 220V AFSINT107 KEYED GROUND (CE SPECS)**

| ITEM | PART NUMBER | QTY | DESCRIPTION  | REV |
|------|-------------|-----|--|-----|
|      | 0275454     | Ref | RECEPTACLE BOX KIT - 220V AFSINT 107                                 | 1   |
| 1    | 0861731     | 1   | Box, Switch  |     |
| 2    | 4461246     | 1   | Receptacle   |     |
| 3    | 4461249     | 1   | Plug, Male   |     |
| 4    | 1001100346  | 1   | Plug and Socket Kit (Includes Items 1-3 and Female Plug p/n 4461250) |     |

# SECTION 8 - ELECTRICAL

## FIGURE 8-70. SKYEYE INTERMEDIATE HARNESS



ART\_1001237865

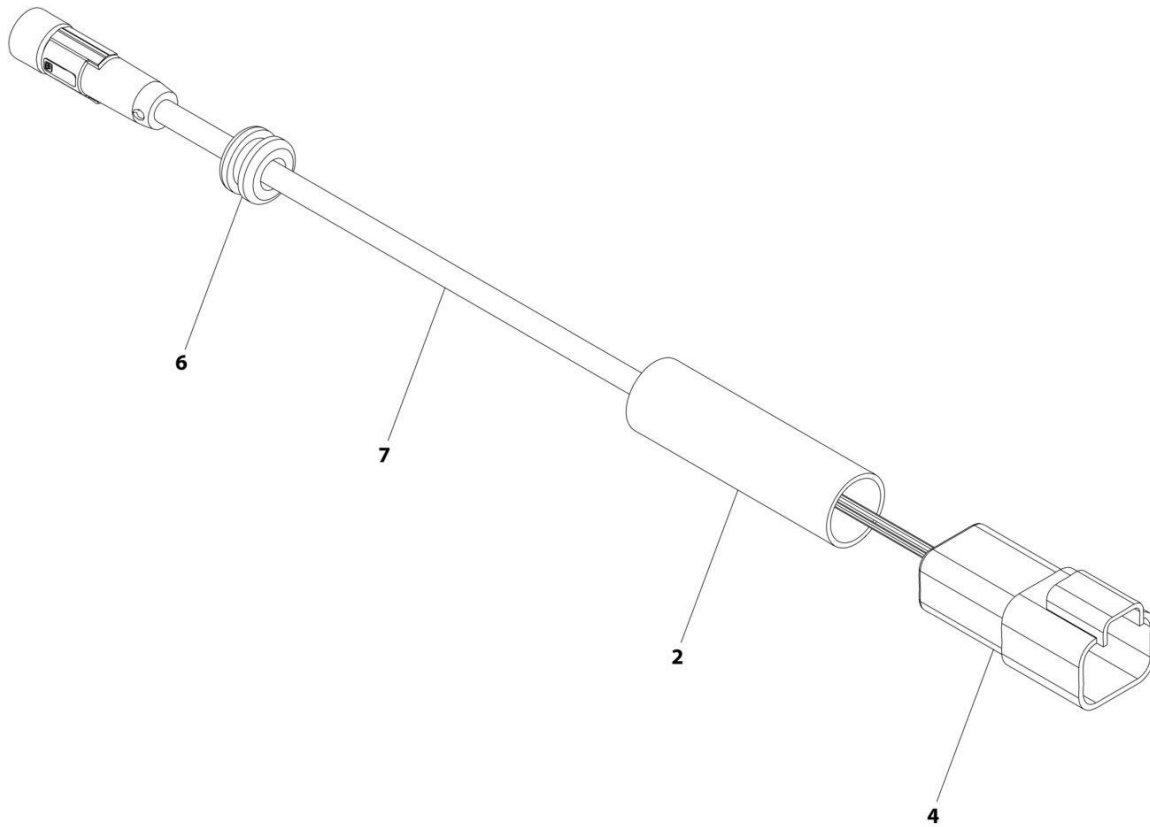
## SECTION 8 - ELECTRICAL

### FIGURE 8-70. SKYEYE INTERMEDIATE HARNESS

| ITEM | PART NUMBER | QTY | DESCRIPTION                 | REV |
|------|-------------|-----|-----------------------------|-----|
|      | 1001237865  | Ref | SKYEYE INTERMEDIATE HARNESS | A   |
| 1    | 4460899     | 1   | Connector - 6 Position      |     |
| 1    | 4460943     | 4   | Pin, Male                   |     |
| 1    | 4460466     | 2   | Plug, Terminal              |     |
| 2    | 4461077     | 2   | Connector - 4 Position      |     |
| 2    | 1001119619  | 8   | Socket, Female              |     |
| 3    | 4460911     | 1   | Connector - 3 Position      |     |
| 3    | 1001119619  | 3   | Socket, Female              |     |
| 4    | 1001187681  | 1   | Connector - 2 Position      |     |
| 4    | 4460941     | 1   | Pin, Male                   |     |
| 4    | 4460466     | 1   | Plug, Terminal              |     |

# SECTION 8 - ELECTRICAL

## FIGURE 8-71. SKYEYE RECEIVER HARNESS



ART\_1001237863

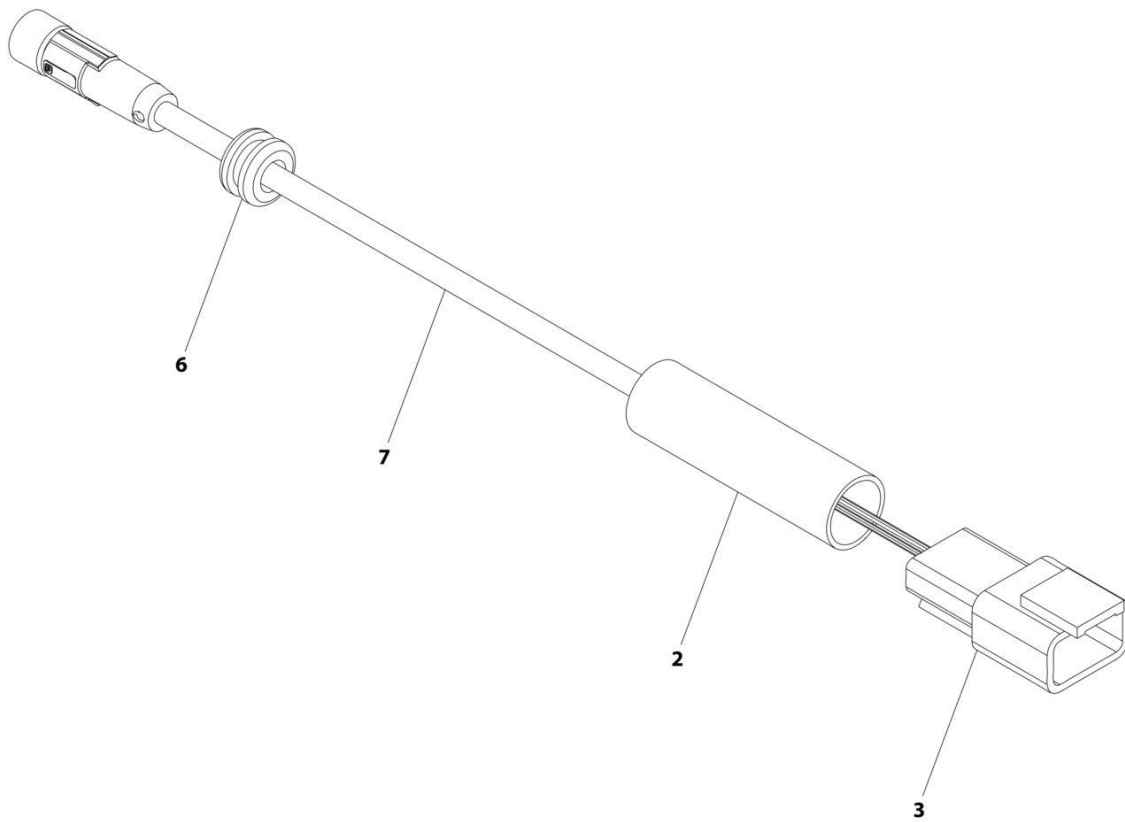
## SECTION 8 - ELECTRICAL

### FIGURE 8-71. SKYEYE RECEIVER HARNESS

| ITEM | PART NUMBER | QTY | DESCRIPTION              | REV |
|------|-------------|-----|--------------------------|-----|
|      | 1001237863  | Ref | SKYEYE RECEIVER HARNESS  | B   |
| 2    | 2820247     | AR  | Tubing, Heat Shrink      |     |
| 4    | 1001097051  | 1   | Connector - 4 Position   |     |
| 4    | 1001119620  | 4   | Pin, Male                |     |
| 6    | 1001227996  | 1   | Grommet                  |     |
| 7    | 1001258495  | 1   | Cable, M8 Female Cordset |     |

# SECTION 8 - ELECTRICAL

## FIGURE 8-72. SKYEYE EMITTER HARNESS



ART\_1001237864



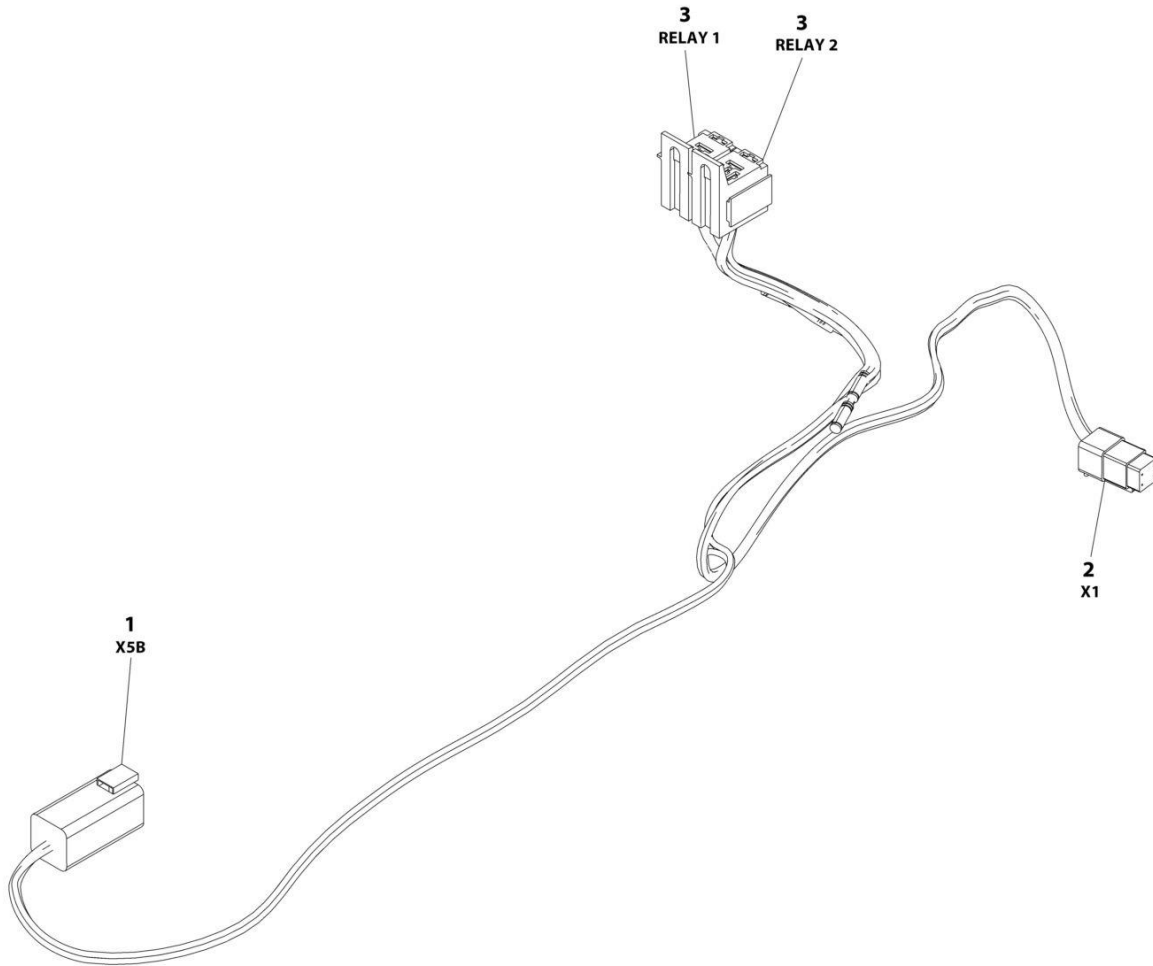
## SECTION 8 - ELECTRICAL

### FIGURE 8-72. SKYEYE EMITTER HARNESS

| ITEM | PART NUMBER | QTY | DESCRIPTION              | REV |
|------|-------------|-----|--------------------------|-----|
|      | 1001237864  | Ref | SKYEYE EMITTER HARNESS   | B   |
| 2    | 2820247     | AR  | Tubing, Heat Shrink      |     |
| 3    | 4460910     | 1   | Connector - 3 Position   |     |
| 3    | 1001119620  | 3   | Pin, Male                |     |
| 6    | 1001227996  | 1   | Grommet                  |     |
| 7    | 1001258495  | 1   | Cable, M8 Female Cordset |     |

# SECTION 8 - ELECTRICAL

## FIGURE 8-73. SKYLINE HARNESS



ART\_1001238418

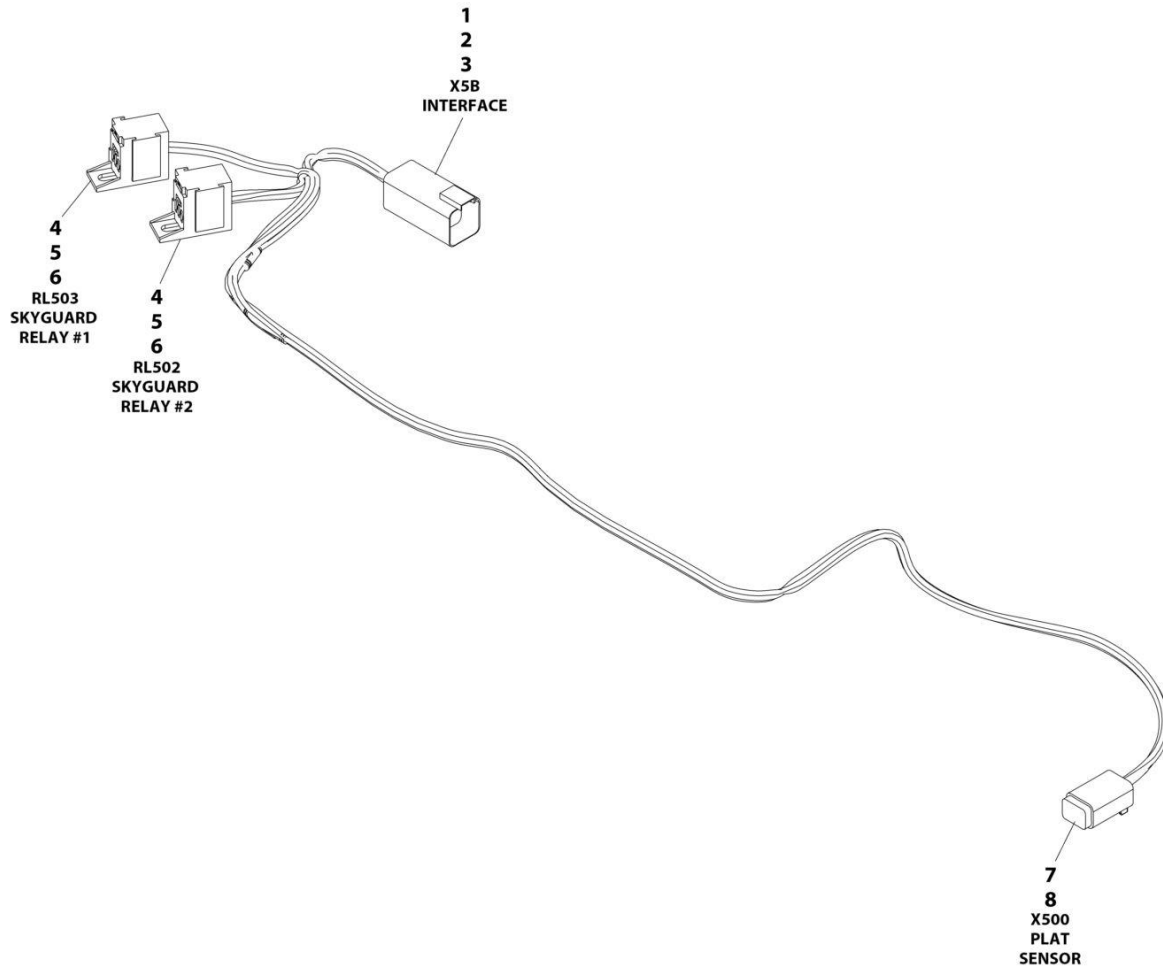
## SECTION 8 - ELECTRICAL

### FIGURE 8-73. SKYLINE HARNESS

| ITEM | PART NUMBER | QTY | DESCRIPTION            | REV |
|------|-------------|-----|------------------------|-----|
|      | 1001238418  | Ref | SKYLINE HARNESS        | B   |
| 1    | 4460899     | 1   | Connector - 6 Position |     |
| 1    | 4460464     | 4   | Pin, Male              |     |
| 1    | 4460466     | 2   | Plug, Terminal         |     |
| 2    | 4461077     | 1   | Connector - 4 Position |     |
| 2    | 1001126009  | 4   | Socket, Female         |     |
| 3    | 1001186432  | 2   | Plug, Relay            |     |
| 3    | 1001118388  | 5   | Terminal               |     |
| 3    | 1001118384  | 3   | Terminal               |     |
| 3    | 3740086     | 2   | Relay                  |     |

# SECTION 8 - ELECTRICAL

## FIGURE 8-74. SKYGUARD INERFACE HARNESS



ART\_1001225580

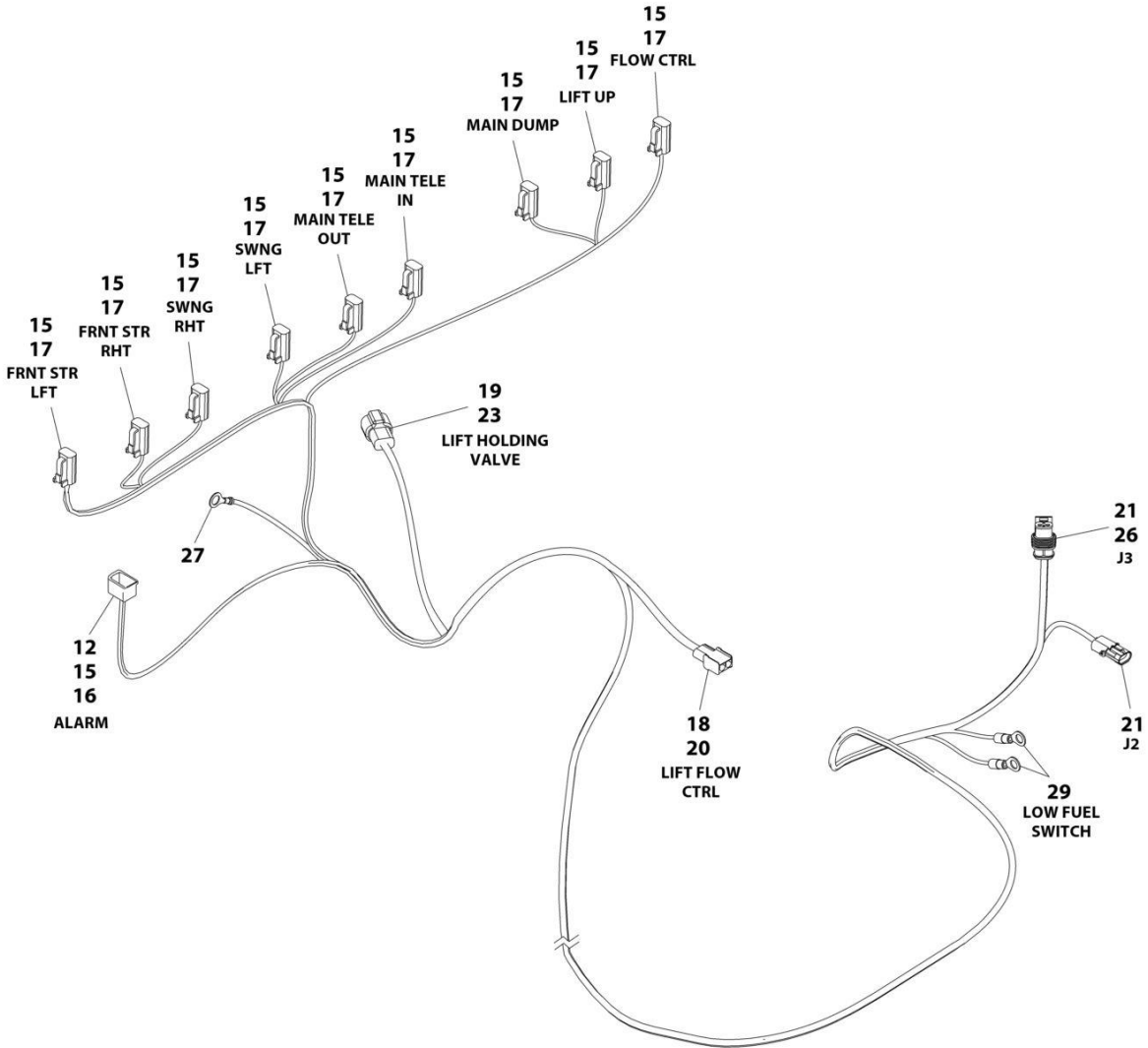
## SECTION 8 - ELECTRICAL

### FIGURE 8-74. SKYGUARD INERFACE HARNESS

| ITEM | PART NUMBER | QTY | DESCRIPTION                         | REV |
|------|-------------|-----|-------------------------------------|-----|
|      | 1001225580  | Ref | INTERFACE HARNESS - WITH 1 CELL LSS | E   |
| 1    | 4460899     | 1   | Connector                           |     |
| 2    | 4460464     | 4   | Terminal                            |     |
| 3    | 4460466     | 2   | Plug                                |     |
| 4    | 1001186432  | 2   | Connector                           |     |
| 5    | 1001104519  | 4   | Terminal                            |     |
| 6    | 1001253375  | 4   | Terminal                            |     |
| 7    | 4460884     | 1   | Connector                           |     |
| 8    | 4460465     | 4   | Terminal                            |     |

# SECTION 8 - ELECTRICAL

## FIGURE 8-75. VALVE HARNESS



ART\_1001168024

## SECTION 8 - ELECTRICAL

### FIGURE 8-75. VALVE HARNESS

| ITEM | PART NUMBER | QTY | DESCRIPTION                     | REV |
|------|-------------|-----|---------------------------------|-----|
|      | 1001168024  | Ref | VALVE HARNESS                   | E   |
| 12   | 4460539     | 1   | Plug, Male - 3 Position         |     |
| 13   | 4240033     | AR  | Tie-Strap (Not Shown)           |     |
| 14   | 4240032     | AR  | Tie-Strap (Not Shown)           |     |
| 15   | 1001116693  | 20  | Socket, Female                  |     |
| 16   | 4460466     | 1   | Plug, Terminal                  |     |
| 17   | 4460891     | 9   | Plug, Male - 2 Position         |     |
| 18   | 4460320     | 1   | Plug, Male - 2 Position         |     |
| 19   | 4460267     | 2   | Pin, Male                       |     |
| 20   | 4460226     | 2   | Socket, Female                  |     |
| 21   | 4460871     | 23  | Socket, Female                  |     |
| 23   | 4460424     | 1   | Receptacle, Female - 2 Position |     |
| 26   | 4460508     | 1   | Terminal                        |     |
| 27   | 4460019     | 1   | Terminal, Ring                  |     |
| 29   | 4460313     | 2   | Terminal, Ring                  |     |

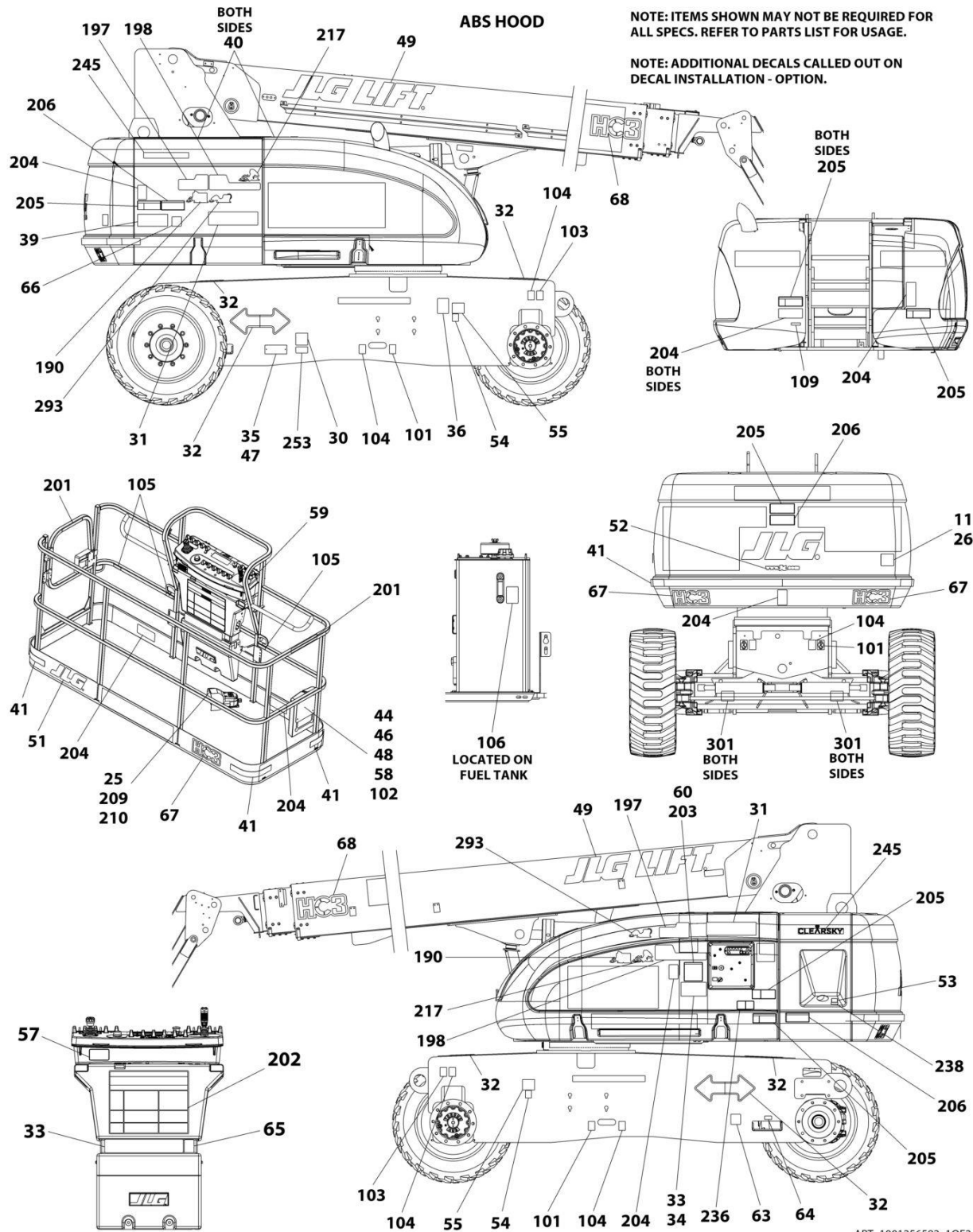




**SECTION 9 - DECALS**

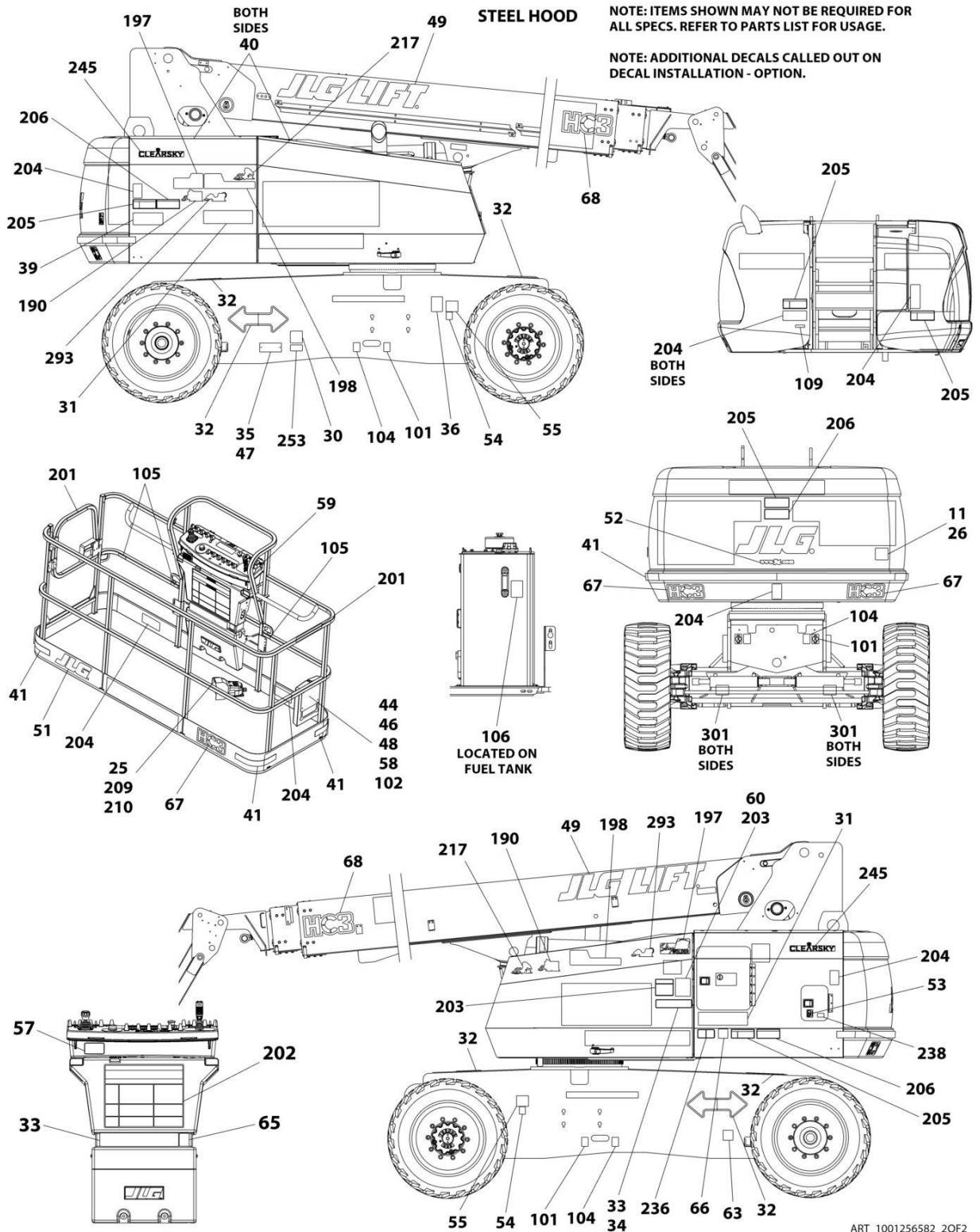
# SECTION 9 - DECALS

## FIGURE 9-1. DECAL INSTALLATION - 860SJ HC3 (ANSI SPECS)



ART\_1001256582\_10F2

# SECTION 9 - DECALS



## SECTION 9 - DECALS

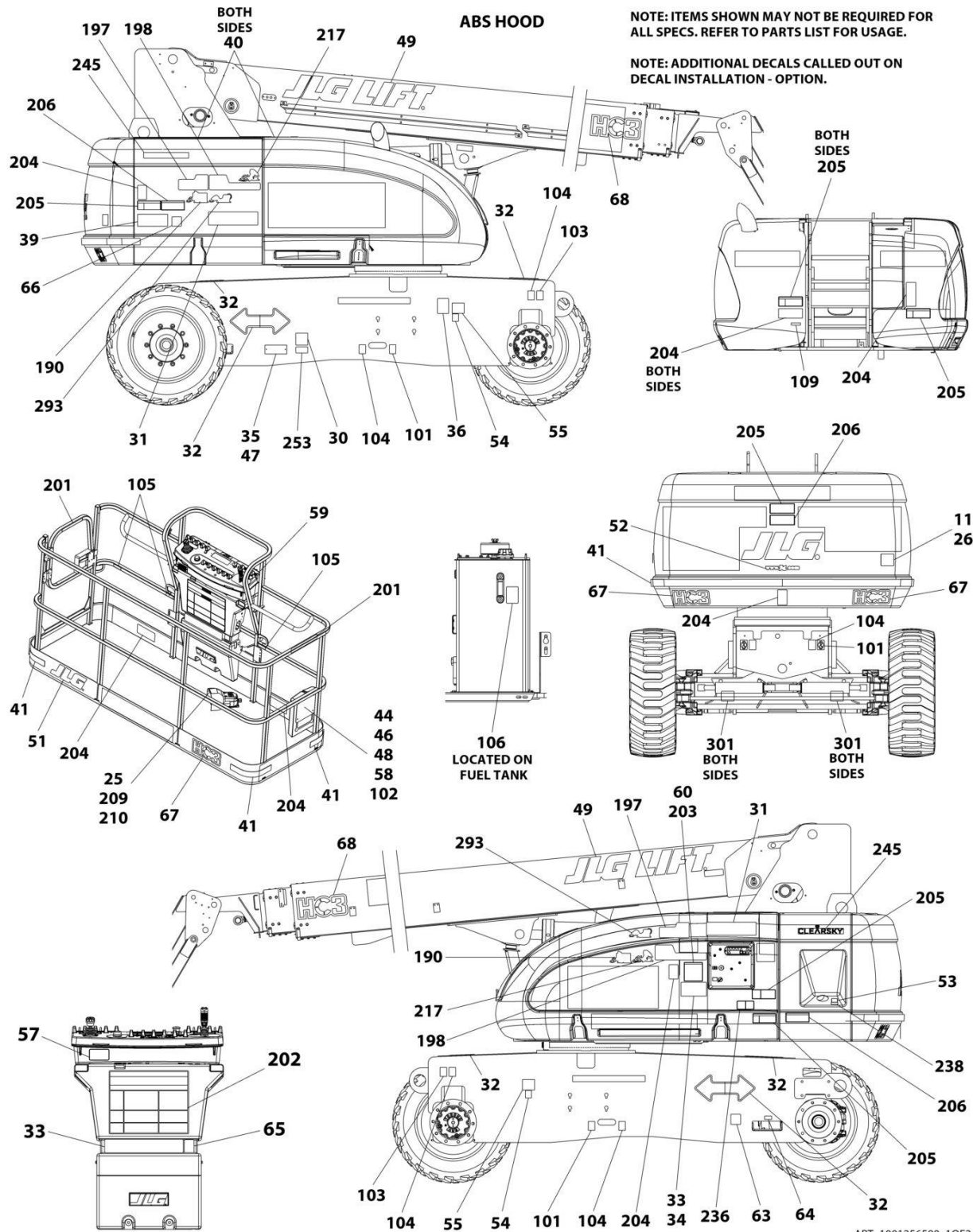
FIGURE 9-1. DECAL INSTALLATION - 860SJ HC3 (ANSI SPECS)

| ITEM | PART NUMBER | QTY        | DESCRIPTION   | REV |
|------|-------------|------------|---|-----|
|      | 1001256582  | Ref        | DECAL INSTALLATION                                  | B   |
|      | 1001256837  | Ref        | REFERENCE CHART                                     | A   |
| 25   | 3252347     | 1          | Decal - Footswitch                                  |     |
| 30   | See Note    | NSS        | Decal - Bar Code (Note: Not Available for Purchase) |     |
| 31   | 1704907     | 2          | Decal - 860SJ                                       |     |
| 32   | 1701501     | 4          | Decal - Arrow                                       |     |
| 33   | 1001256567  | 1          | Decal - Warning                                     |     |
| 34   | 1001256568  | 1          | Decal - Warning                                     |     |
| 36   | 1001131269  | 1          | Decal - Patent                                      |     |
| 39   | 1001175354  | 1          | Decal - Lift Diagram                                |     |
| 40   | 1701691     | 4          | Decal - No Step                                     |     |
| 41   | 4420051     | 23.1 ft/7m | Stripes, Warning                                    |     |
| 44   | 0860520     | 1          | Box, Manual Storage                                 |     |
| 46   | 3311405     | 4          | Nut 1/4   |     |
| 47   | 3820001     | 2          | Rivet   |     |
| 48   | 4751400     | 8          | Washer 1/4  |     |
| 58   | 0641406     | 4          | Bolt 1/4 x 3/4                                      |     |
| 59   | 1705351     | 1          | Decal - Drive/Steer Instructions                    |     |
| 63   | 1001223055  | 1          | Decal - Yearly Inspection                           |     |
| 64   | 1001223453  | 1          | Decal - ICES  |     |
| 100  | 1001109029  | 1          | Decal Kit - Master (Includes Items 101-109)         |     |
| 101  | 1701499     | 4          | Decal - No Lift                                     |     |
| 102  | 1701509     | 1          | Decal - Manual                                      |     |
| 103  | 1703811     | 4          | Decal - Tie Down/Lift                               |     |
| 104  | 1703814     | 6          | Decal - Tie Down                                    |     |
| 105  | 1704277     | 4          | Decal - Attach Lanyard Here                         |     |
| 106  | 1704412     | 1          | Decal - Hydraulic Oil Chart                         |     |
| 109  | 3251243     | 1          | Nameplate - 120V-60HZ                               |     |
| 200  | 2902307     | 1          | Decal Kit - Country Spec (Includes Items 201-206)   |     |
| 201  | 1702868     | 2          | Decal - No Hands                                    |     |
| 202  | 1703797     | 1          | Decal - Warning/Danger                              |     |
| 203  | 1705336     | 1          | Decal - Warning Inspection (MTB)                    |     |
| 204  | 1703804     | 5          | Decal - Warning Crushing                            |     |
| 205  | 1703805     | 5          | Decal - Danger Electrocution                        |     |
| 206  | 1703953     | 7          | Decal - Warning Crushing                            |     |
| 300  | 1001265971  | 1          | Decal Kit - Max Tire Load (Includes Item 301)       |     |
| 301  | 1703484     | 4          | Decal - Max Tire Load                               |     |



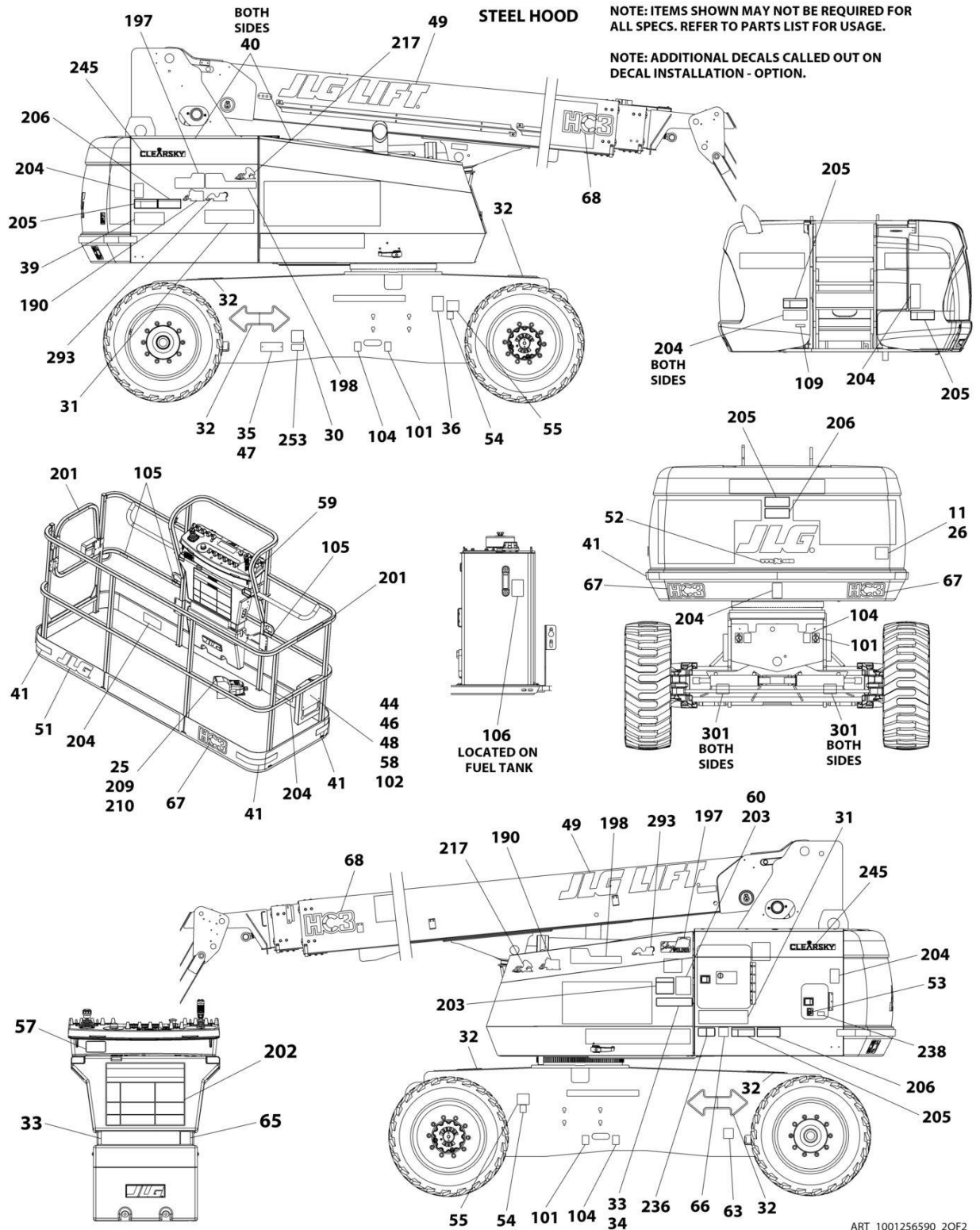
# SECTION 9 - DECALS

## FIGURE 9-2. DECAL INSTALLATION - 860SJ HC3 (AUSTRALIAN SPECS)



ART\_1001256590\_10F2

# SECTION 9 - DECALS



ART\_1001256590\_20F2

## SECTION 9 - DECALS

**FIGURE 9-2. DECAL INSTALLATION - 860SJ HC3 (AUSTRALIAN SPECS)**

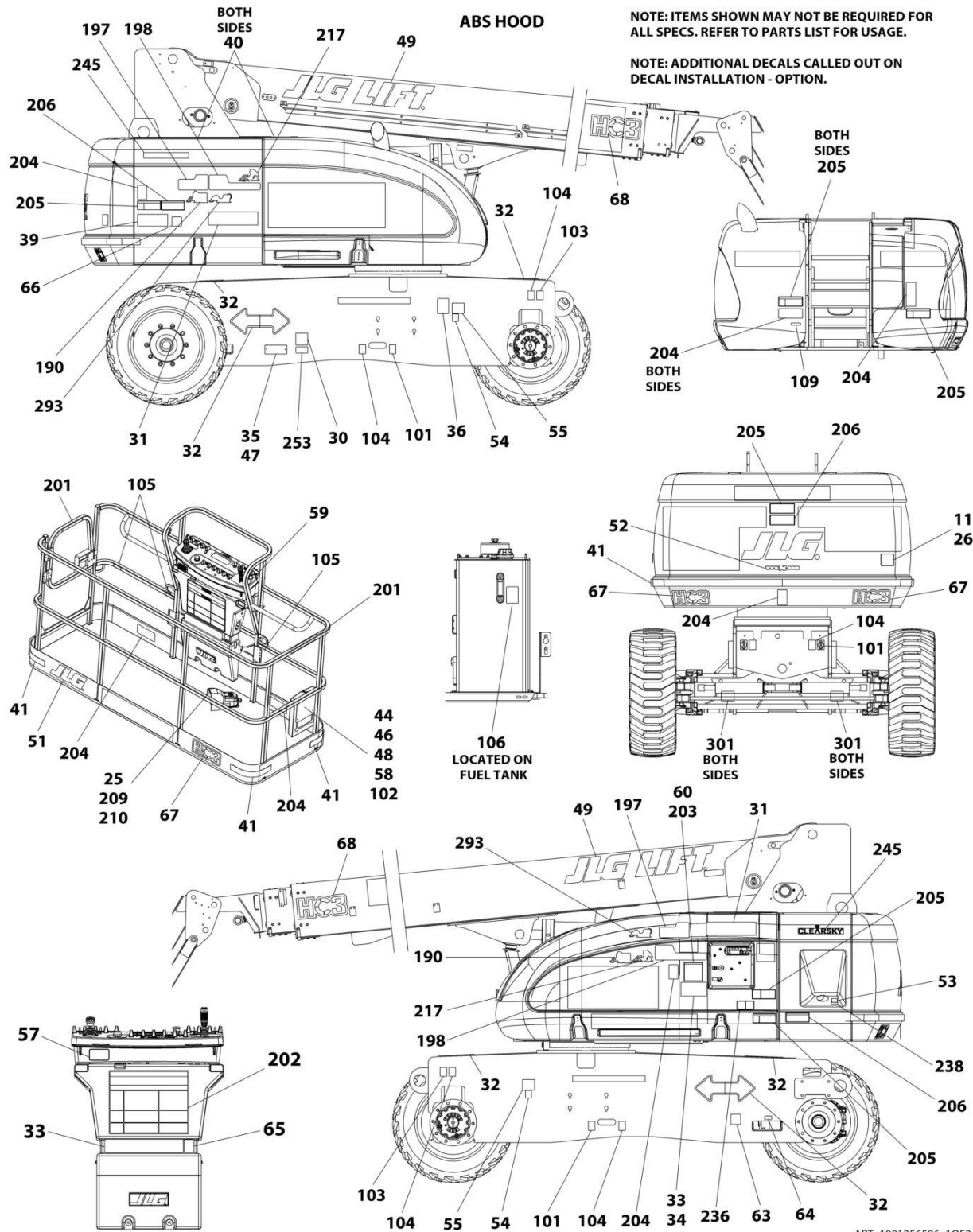
| ITEM | PART NUMBER | QTY | DESCRIPTION   | REV |
|------|-------------|-----|---|-----|
|      | 1001256590  | Ref | DECAL INSTALLATION                                  | B   |
|      | 1001256837  | Ref | REFERENCE CHART                                     | A   |
| 30   | See Note    | 1   | Decal - Bar Code (Note: Not Available for Purchase) |     |
| 31   | 1704907     | 2   | Decal - 860SJ                                       |     |
| 32   | 1701501     | 4   | Decal - Arrow                                       |     |
| 33   | 1001256581  | 2   | Decal - Warning                                     |     |
| 39   | 1001175354  | 1   | Decal - Lift Diagram                                |     |
| 40   | 1701691     | 4   | Decal - No Step                                     |     |
| 41   | 4420051     | AR  | Stripes, Warning                                    |     |
| 44   | 0860520     | 1   | Box, Manual Storage                                 |     |
| 46   | 3311405     | 4   | Nut 1/4   |     |
| 47   | 3820001     | 2   | Rivet   |     |
| 48   | 4751400     | 8   | Washer 1/4  |     |
| 58   | 0641406     | 4   | Bolt 1/4 x 3/4                                      |     |
| 60   | 1001112551  | 1   | Decal - Emergency Control                           |     |
| 100  | 1001199949  | 1   | Decal Kit - Master (Includes Items 101-106)         |     |
| 101  | 1701499     | 4   | Decal - No Lift                                     |     |
| 102  | 1701509     | 1   | Decal - Manual                                      |     |
| 103  | 1703811     | 4   | Decal - Lifting Lug                                 |     |
| 104  | 1703814     | 6   | Decal - Tie Down/Lift                               |     |
| 105  | 1704277     | 4   | Decal - Attach Lanyard Here                         |     |
| 106  | 1704412     | 1   | Decal - Hydraulic Oil Chart                         |     |
| 200  | 2902329     | 1   | Decal Kit - Multi Color (Includes Items 202-206)    |     |
| 202  | 1705921     | 1   | Decal - Tipping                                     |     |
| 203  | 1705822     | 1   | Decal - Warning                                     |     |
| 204  | 1701518     | 10  | Decal - Warning Crushing                            |     |
| 205  | 1705961     | 5   | Decal - Danger Electrocution                        |     |
| 209  | 1705828     | 1   | Decal - Footswitch                                  |     |
| 300  | 1001265971  | 1   | Decal Kit - Max Tire Load (Includes Item 301)       |     |
| 301  | 1703484     | 1   | Decal - Max Tire Load                               |     |



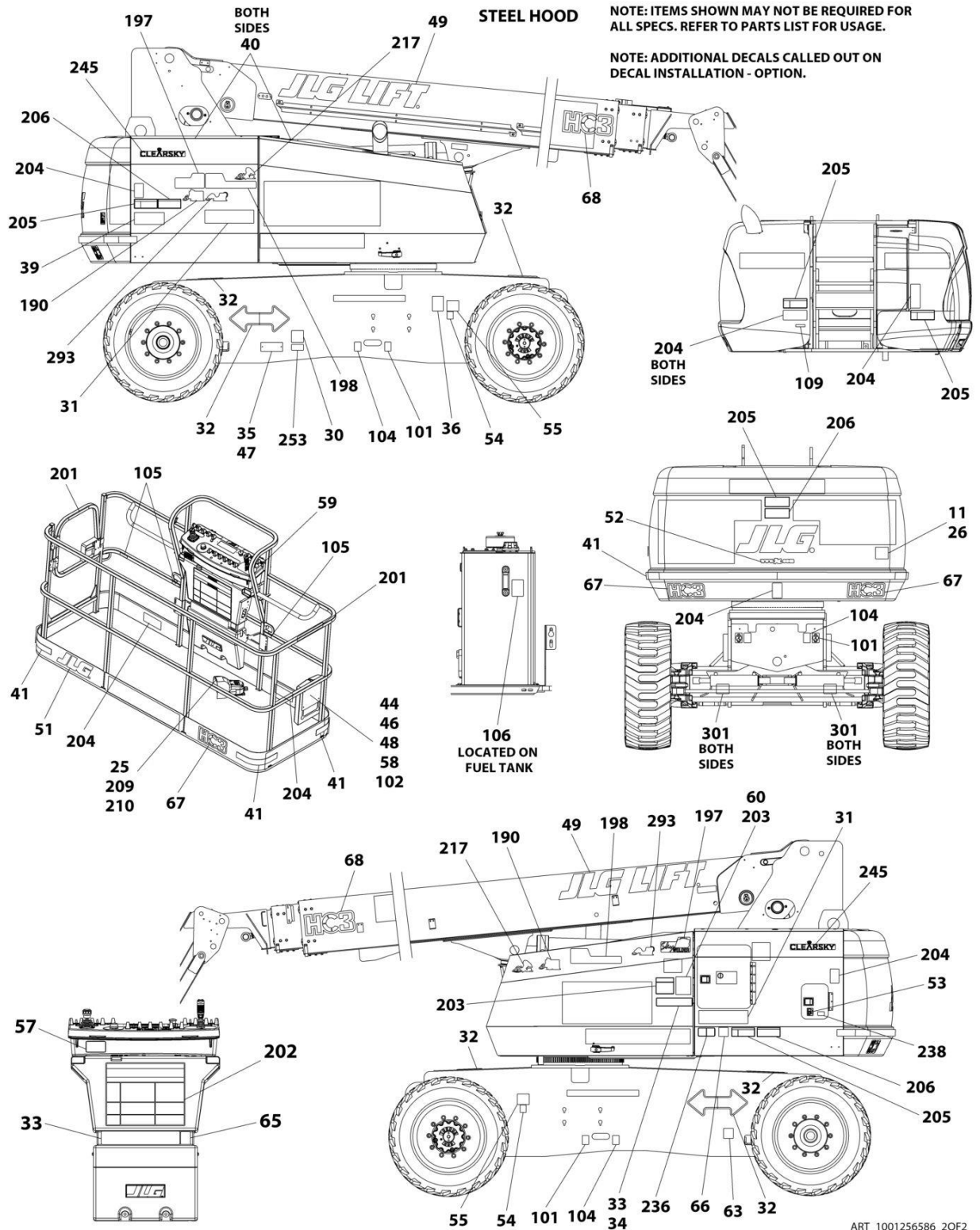


# SECTION 9 - DECALS

## FIGURE 9-3. DECAL INSTALLATION - 860SJ HC3 (BRAZILIAN SPECS)



# SECTION 9 - DECALS



ART\_1001256586\_20F2

## SECTION 9 - DECALS

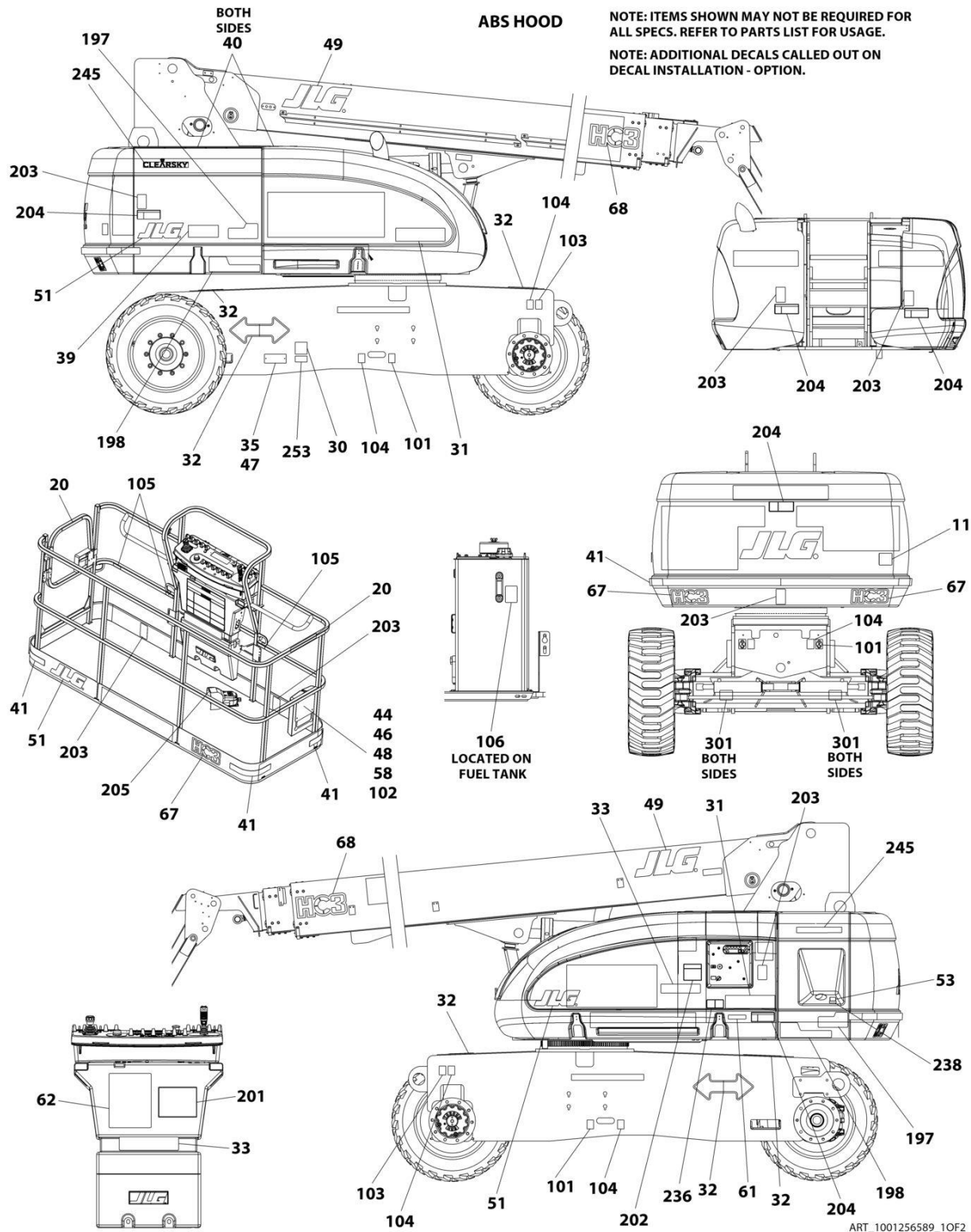
**FIGURE 9-3. DECAL INSTALLATION - 860SJ HC3 (BRAZILIAN SPECS)**

| ITEM | PART NUMBER | QTY        | DESCRIPTION   | REV |
|------|-------------|------------|---|-----|
|      | 1001256586  | Ref        | DECAL INSTALLATION                                  | B   |
|      | 1001256837  | Ref        | REFERENCE CHART                                     | A   |
| 30   | See Note    | NSS        | Decal - Bar Code (Note: Not Available for Purchase) |     |
| 31   | 1704907     | 2          | Decal - 860SJ                                       |     |
| 32   | 1701501     | 4          | Decal - Arrow                                       |     |
| 33   | 1001256575  | 1          | Decal - Warning                                     |     |
| 34   | 1001256576  | 1          | Decal - Warning                                     |     |
| 39   | 1001175354  | 1          | Decal - Lift Diagram                                |     |
| 40   | 1701691     | 4          | Decal - No Step                                     |     |
| 41   | 4420051     | 23.1 ft/7m | Stripes, Warning                                    |     |
| 44   | 0860520     | 1          | Box, Manual Storage                                 |     |
| 46   | 3311405     | 4          | Nut 1/4   |     |
| 47   | 3820001     | 2          | Rivet   |     |
| 48   | 4751400     | 8          | Washer 1/4  |     |
| 58   | 0641406     | 4          | Bolt 1/4 x 3/4                                      |     |
| 59   | 1705905     | 1          | Decal - Drive/Steer Instructions                    |     |
| 63   | 1001224052  | 1          | Decal - Yearly Inspection                           |     |
| 100  | 1001109029  | 1          | Decal Kit - Master (Includes Items 101-106)         |     |
| 101  | 1701499     | 4          | Decal - No Lift                                     |     |
| 102  | 1701509     | 1          | Decal - Manual                                      |     |
| 103  | 1703811     | 4          | Decal - Tie Down/Lift                               |     |
| 104  | 1703814     | 6          | Decal - Tie Down                                    |     |
| 105  | 1704277     | 4          | Decal - Attach Lanyard Here                         |     |
| 106  | 1704412     | 1          | Decal - Hydraulic Oil Chart                         |     |
| 200  | 2902312     | 1          | Decal Kit - Country Spec (Includes Items 201-210)   |     |
| 201  | 1705967     | 2          | Decal - No Hands                                    |     |
| 202  | 1705895     | 1          | Decal - Warning/Danger                              |     |
| 203  | 1705896     | 1          | Decal - Warning Inspection (MTB)                    |     |
| 204  | 1705898     | 5          | Decal - Warning Crushing                            |     |
| 205  | 1705897     | 5          | Decal - Danger Electrocution                        |     |
| 206  | 1705903     | 7          | Decal - Warning Crushing                            |     |
| 210  | 1705902     | 1          | Decal - Foot Switch                                 |     |
| 300  | 1001265971  | 1          | Decal Kit - Max Tire Load (Includes Item 301)       |     |
| 301  | 1703484     | 4          | Decal - Max Tire Load                               |     |



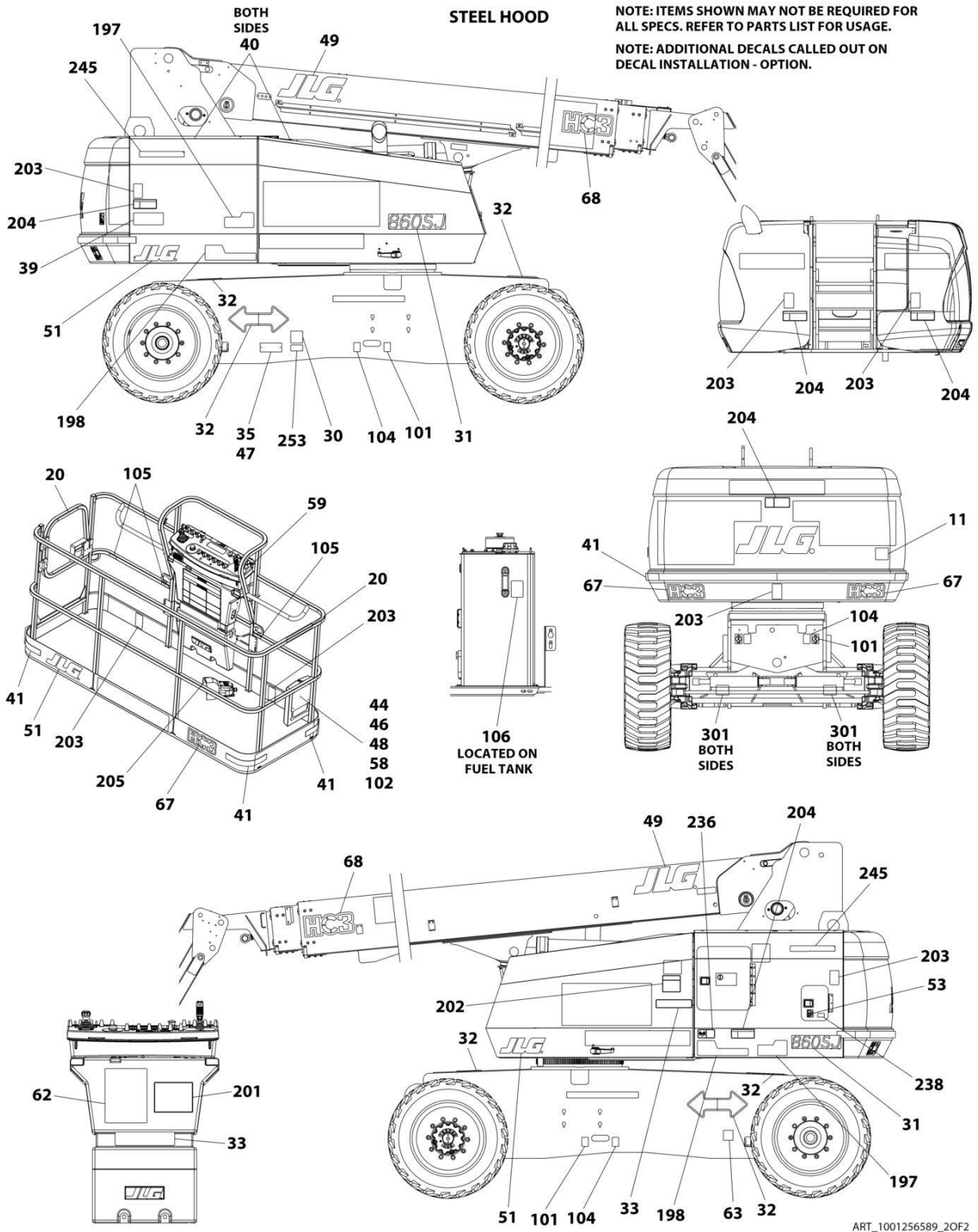
# SECTION 9 - DECALS

## FIGURE 9-4. DECAL INSTALLATION - 860SJ HC3 (CE SPECS)



ART\_1001256589\_10F2

# SECTION 9 - DECALS



## SECTION 9 - DECALS

**FIGURE 9-4. DECAL INSTALLATION - 860SJ HC3 (CE SPECS)**

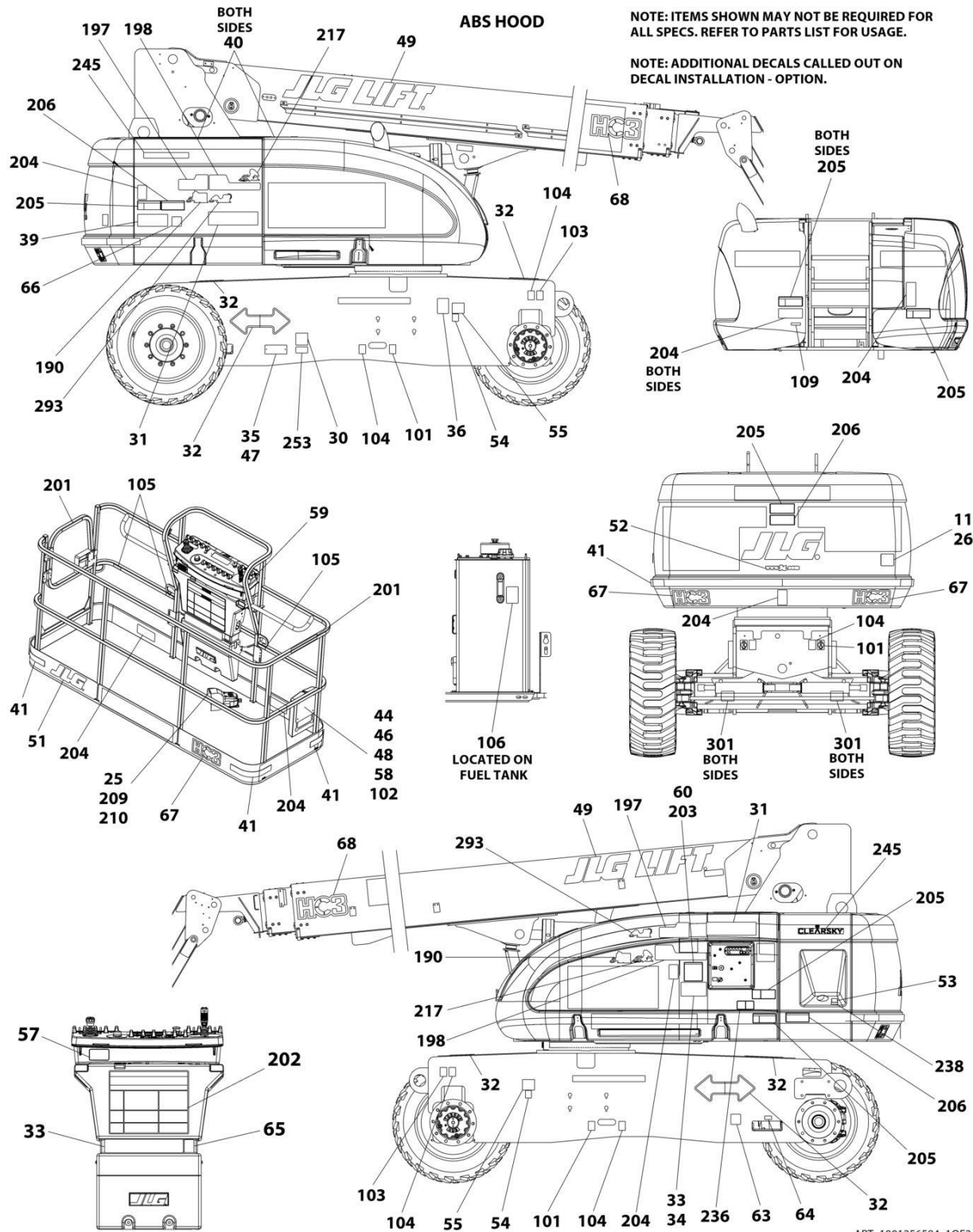
| ITEM | PART NUMBER | QTY | DESCRIPTION   | REV |
|------|-------------|-----|---|-----|
|      | 1001256589  | Ref | DECAL INSTALLATION                                  | B   |
|      | 1001263459  | Ref | REFERENCE CHART                                     | A   |
| 30   | See Note    | 1   | Decal - Bar Code (Note: Not Available for Purchase) |     |
| 31   | 1704907     | 2   | Decal - 860SJ                                       |     |
| 32   | 1701501     | 4   | Decal - Arrow                                       |     |
| 33   | 1001256581  | 2   | Decal - Warning                                     |     |
| 39   | 1001175354  | 1   | Decal - Lift Diagram                                |     |
| 40   | 1701691     | 4   | Decal - No Step                                     |     |
| 41   | 4420051     | AR  | Stripes, Warning                                    |     |
| 44   | 0860520     | 1   | Box, Manual Storage                                 |     |
| 46   | 3311405     | 4   | Nut 1/4   |     |
| 47   | 3820001     | 2   | Rivet   |     |
| 48   | 4751400     | 8   | Washer 1/4  |     |
| 49   | 1001159323  | 2   | Decal - JLG, Black                                  |     |
| 51   | 1702773     | 3   | Decal - JLG   |     |
| 58   | 0641406     | 4   | Washer 1/4  |     |
| 67   | 1001244212  | 3   | Decal - Capacity                                    |     |
| 68   | 1001256906  | 2   | Decal - Capacity                                    |     |
| 100  | 1001199949  | 1   | Decal Kit - Master (Includes Items 101-106)         |     |
| 101  | 1701499     | 1   | Decal - No Lift                                     |     |
| 102  | 1701509     | 4   | Decal - Manual                                      |     |
| 103  | 1703811     | 6   | Decal - Lifting Lug                                 |     |
| 104  | 1705514     | 4   | Decal - Warning/Danger                              |     |
| 105  | 1704277     | 1   | Decal - Attach Lanyard Here                         |     |
| 106  | 1704412     | 1   | Decal - Oil Chart                                   |     |
| 200  | 2902329     | 1   | Decal Kit - Multi Color (Includes Items 201-205)    |     |
| 201  | 1705921     | 1   | Decal - Tipping                                     |     |
| 202  | 1705822     | 1   | Decal - Warning                                     |     |
| 203  | 1701518     | 10  | Decal - Warning Crushing                            |     |
| 204  | 1705961     | 5   | Decal - Danger Electrocutation                      |     |
| 205  | 1705828     | 1   | Decal - Footswitch                                  |     |
| 300  | 1001265971  | 1   | Decal Kit - Max Tire Load (Includes Item 301)       |     |
| 301  | 1703484     | 1   | Decal - Max Tire Load                               |     |





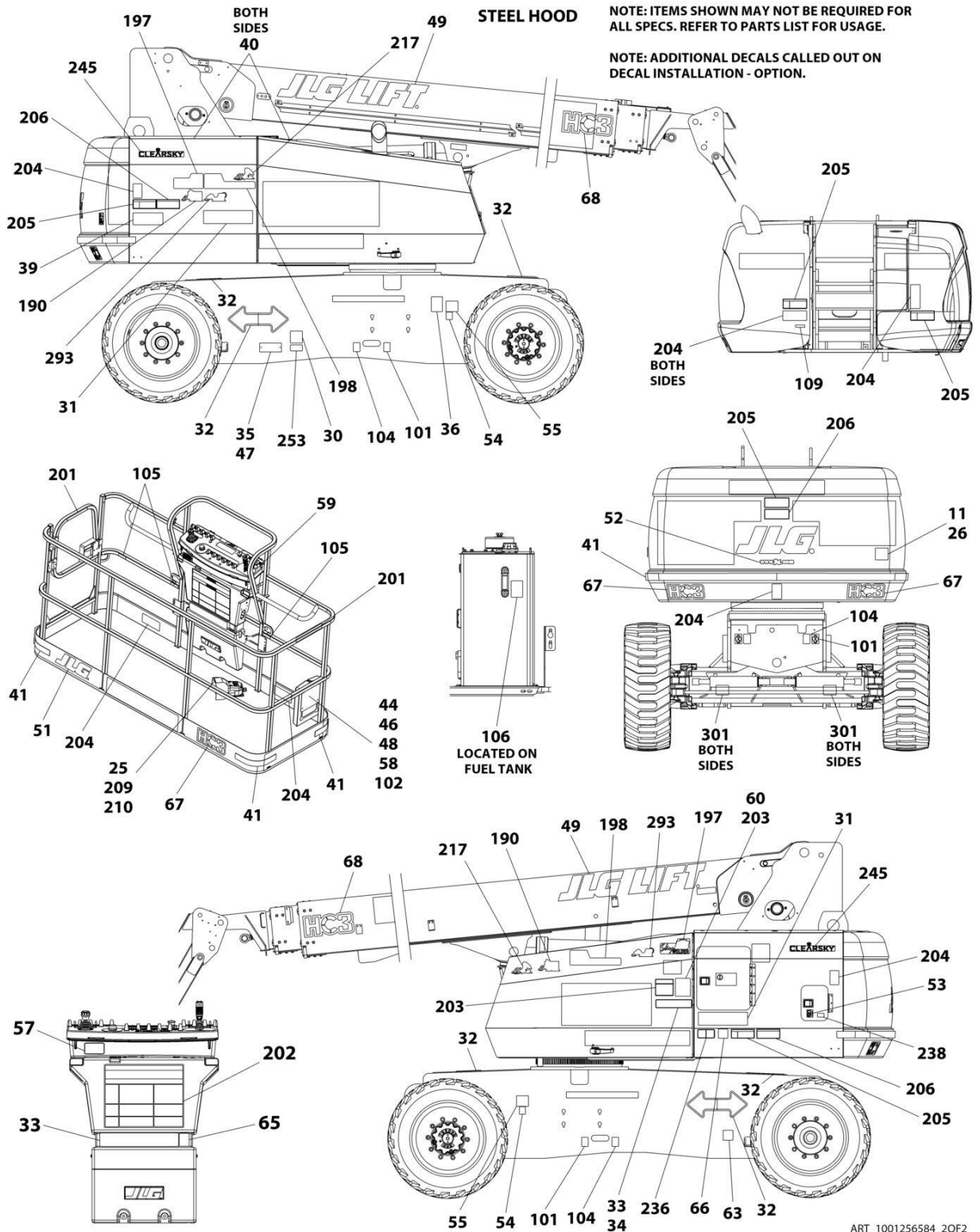
# SECTION 9 - DECALS

## FIGURE 9-5. DECAL INSTALLATION - 860SJ HC3 (CHINESE SPECS)



ART\_1001256584\_10F2

# SECTION 9 - DECALS



## SECTION 9 - DECALS

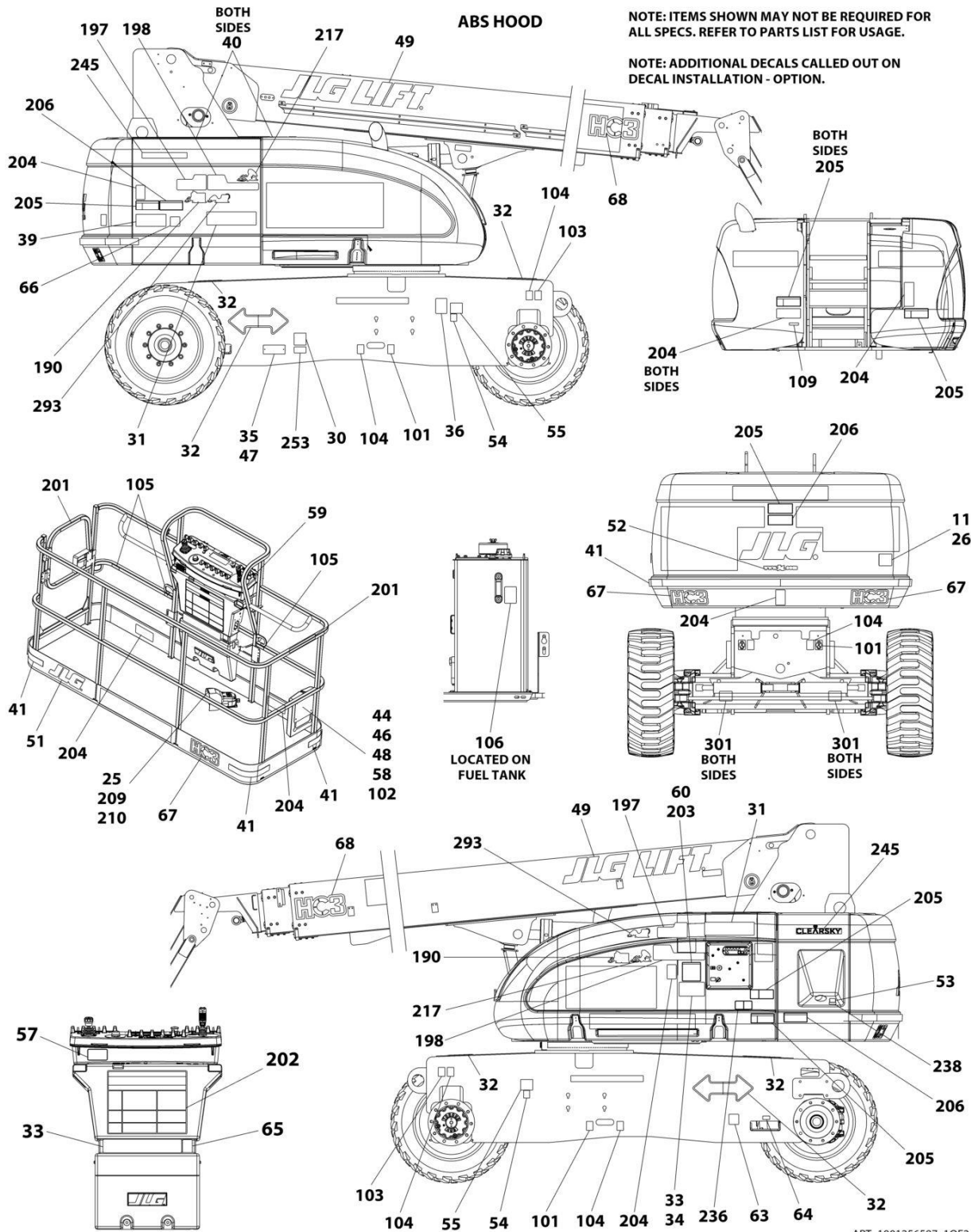
**FIGURE 9-5. DECAL INSTALLATION - 860SJ HC3 (CHINESE SPECS)**

| ITEM | PART NUMBER | QTY        | DESCRIPTION   | REV |
|------|-------------|------------|---|-----|
|      | 1001256584  | Ref        | DECAL INSTALLATION                                  | B   |
|      | 1001256837  | Ref        | REFERENCE CHART                                     | A   |
| 30   | See Note    | NSS        | Decal - Bar Code (Note: Not Available for Purchase) |     |
| 31   | 1704907     | 2          | Decal - 860SJ                                       |     |
| 32   | 1701501     | 4          | Decal - Arrow                                       |     |
| 33   | 1001256571  | 1          | Decal - Warning                                     |     |
| 34   | 1001256572  | 1          | Decal - Warning                                     |     |
| 39   | 1001175354  | 1          | Decal - Lift Diagram                                |     |
| 40   | 1701691     | 4          | Decal - No Step                                     |     |
| 41   | 4420051     | 23.1 ft/7m | Stripes, Warning                                    |     |
| 44   | 0860520     | 1          | Box, Manual Storage                                 |     |
| 46   | 3311405     | 4          | Nut 1/4   |     |
| 47   | 3820001     | 2          | Rivet   |     |
| 48   | 4751400     | 8          | Washer 1/4  |     |
| 58   | 0641406     | 4          | Bolt 1/4 x 3/4                                      |     |
| 59   | 1705430     | 1          | Decal - Drive/Steer Instructions                    |     |
| 63   | 1001224050  | 1          | Decal - Yearly Inspection                           |     |
| 65   | 1001244301  | 1          | Decal - No Platform to Ground Attachments           |     |
| 66   | 1001244298  | 1          | Decal - Wechat                                      |     |
| 100  | 1001109029  | 1          | Decal Kit - Master (Includes Items 101-109)         |     |
| 101  | 1701499     | 4          | Decal - No Lift                                     |     |
| 102  | 1701509     | 1          | Decal - Manual                                      |     |
| 103  | 1703811     | 4          | Decal - Tie Down/Lift                               |     |
| 104  | 1703814     | 6          | Decal - Tie Down                                    |     |
| 105  | 1704277     | 4          | Decal - Attach Lanyard Here                         |     |
| 106  | 1704412     | 1          | Decal - Hydraulic Oil Chart                         |     |
| 109  | 3251243     | 1          | Nameplate - 120V-60HZ                               |     |
| 200  | 2902309     | 1          | Decal Kit - Country Spec (Includes Items 201-210)   |     |
| 201  | 1001116846  | 2          | Decal - No Hands                                    |     |
| 202  | 1703925     | 1          | Decal - Warning/Danger                              |     |
| 203  | 1001116849  | 2          | Decal - Warning Inspection (MTB)                    |     |
| 204  | 1703949     | 5          | Decal - Warning Crushing                            |     |
| 205  | 1001116851  | 5          | Decal - Danger Electrocution                        |     |
| 206  | 1703943     | 7          | Decal - Warning Crushing                            |     |
| 210  | 1703982     | 1          | Decal - Footswitch                                  |     |
| 300  | 1001265971  | 1          | Decal Kit - Max Tire Load (Includes Item 301)       |     |
| 301  | 1703484     | 4          | Decal - Max Tire Load                               |     |



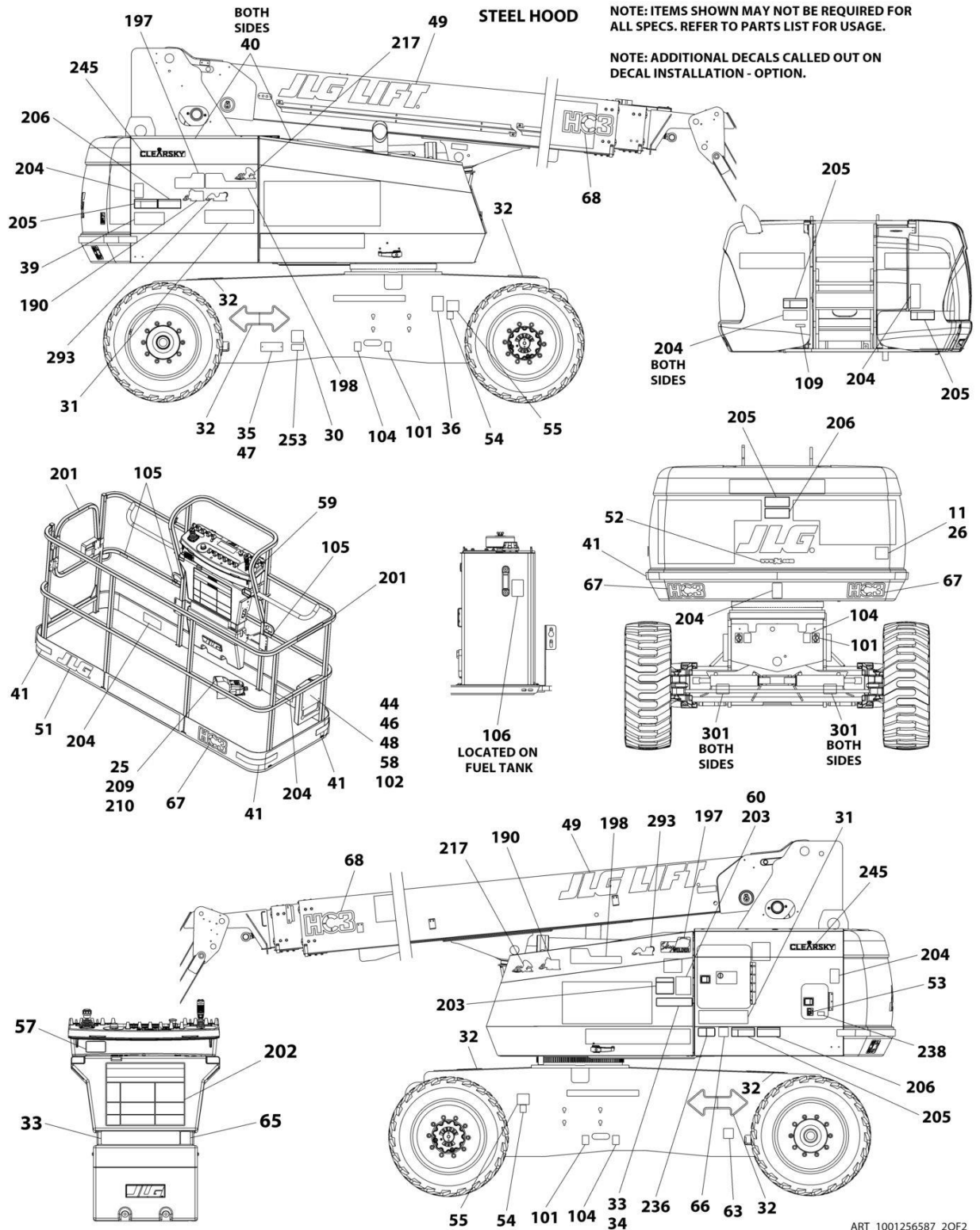
# SECTION 9 - DECALS

## FIGURE 9-6. DECAL INSTALLATION - 860SJ HC3 (CSA SPECS)



ART\_1001256587\_10F2

# SECTION 9 - DECALS



## SECTION 9 - DECALS

FIGURE 9-6. DECAL INSTALLATION - 860SJ HC3 (CSA SPECS)

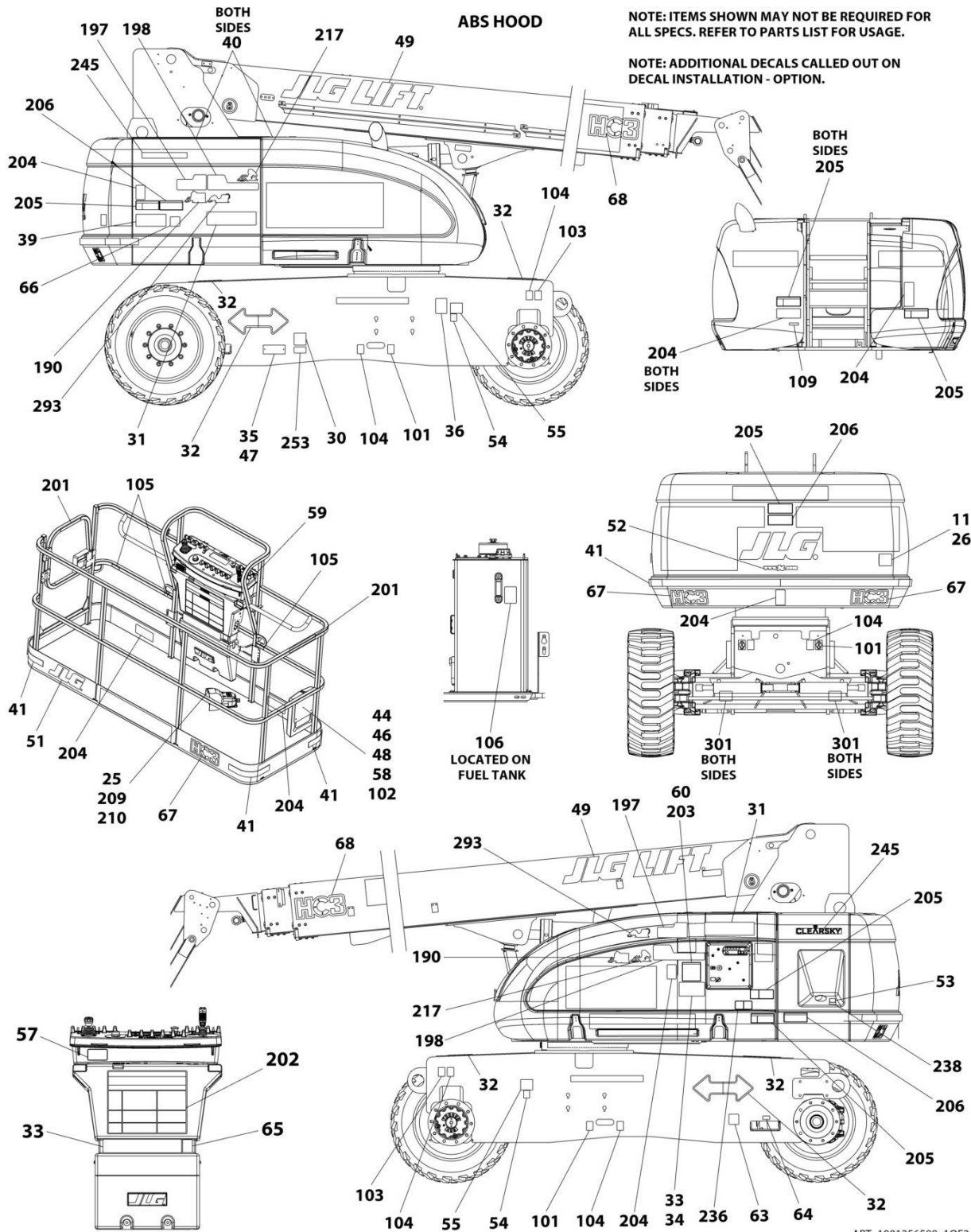
| ITEM | PART NUMBER | QTY        | DESCRIPTION   | REV |
|------|-------------|------------|---|-----|
|      | 1001256587  | Ref        | DECAL INSTALLATION                                  | B   |
|      | 1001256837  | Ref        | REFERENCE CHART                                     | A   |
| 30   | See Note    | NSS        | Decal - Bar Code (Note: Not Available for Purchase) |     |
| 31   | 1704907     | 2          | Decal - 860SJ                                       |     |
| 32   | 1701501     | 4          | Decal - Arrow                                       |     |
| 33   | 1001256577  | 1          | Decal - Warning                                     |     |
| 34   | 1001256578  | 1          | Decal - Warning                                     |     |
| 36   | 1001131269  | 1          | Decal - Patent                                      |     |
| 39   | 1001175354  | 1          | Decal - Lift Diagram                                |     |
| 40   | 1701691     | 4          | Decal - No Step                                     |     |
| 41   | 4420051     | 23.1 ft/7m | Stripes, Warning                                    |     |
| 44   | 0860520     | 1          | Box, Manual Storage                                 |     |
| 46   | 3311405     | 4          | Nut 1/4   |     |
| 47   | 3820001     | 2          | Rivet   |     |
| 48   | 4751400     | 8          | Washer 1/4  |     |
| 58   | 0641406     | 4          | Bolt 1/4 x 3/4                                      |     |
| 59   | 1705429     | 1          | Decal - Drive/Steer Instructions                    |     |
| 63   | 1001223971  | 1          | Decal - Yearly Inspection                           |     |
| 64   | 1001223453  | 1          | Decal - ICES  |     |
| 100  | 1001109029  | 1          | Decal Kit - Master (Includes Items 101-106)         |     |
| 101  | 1701499     | 4          | Decal - No Lift                                     |     |
| 102  | 1701509     | 1          | Decal - Manual                                      |     |
| 103  | 1703811     | 4          | Decal - Tie Down/Lift                               |     |
| 104  | 1703814     | 6          | Decal - Tie Down                                    |     |
| 105  | 1704277     | 4          | Decal - Attach Lanyard Here                         |     |
| 106  | 1704412     | 1          | Decal - Hydraulic Oil Chart                         |     |
| 200  | 2902322     | 1          | Decal Kit - Country Spec (Includes Items 201-210)   |     |
| 201  | 1704000     | 2          | Decal - No Hands                                    |     |
| 202  | 1703924     | 1          | Decal - Warning/Danger                              |     |
| 203  | 1705347     | 1          | Decal - Warning Inspection (MTB)                    |     |
| 204  | 1703948     | 5          | Decal - Warning Crushing                            |     |
| 205  | 1703936     | 5          | Decal - Danger Electrocution                        |     |
| 206  | 1703942     | 7          | Decal - Warning Crushing                            |     |
| 210  | 1703984     | 1          | Decal - Footswitch                                  |     |
| 300  | 1001265971  | 1          | Decal Kit - Max Tire Load (Includes Item 301)       |     |
| 301  | 1703484     | 4          | Decal - Max Tire Load                               |     |





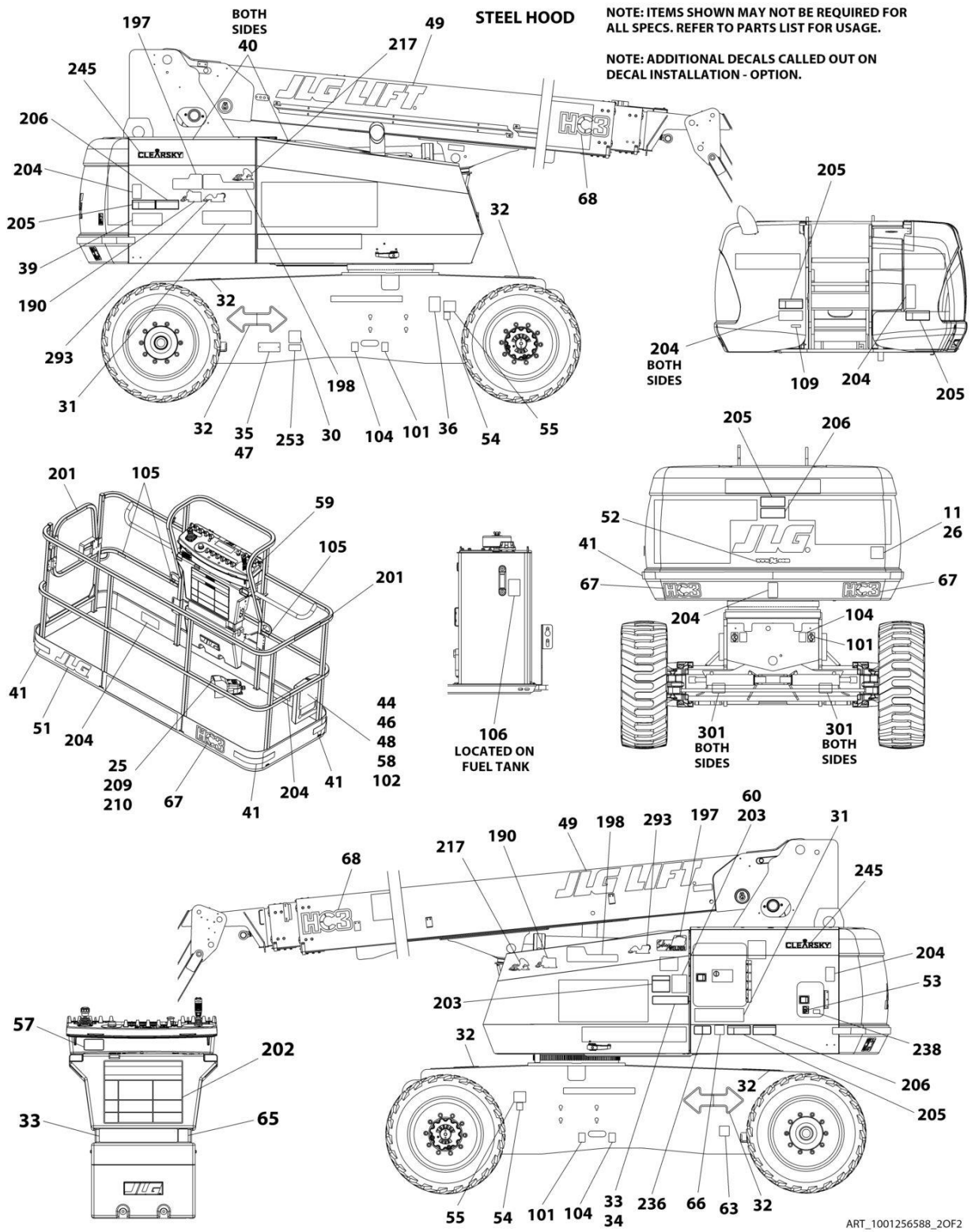
# SECTION 9 - DECALS

## FIGURE 9-7. DECAL INSTALLATION - 860SJ HC3 (JAPANESE SPECS)



ART\_1001256588\_10F2

# SECTION 9 - DECALS



## SECTION 9 - DECALS

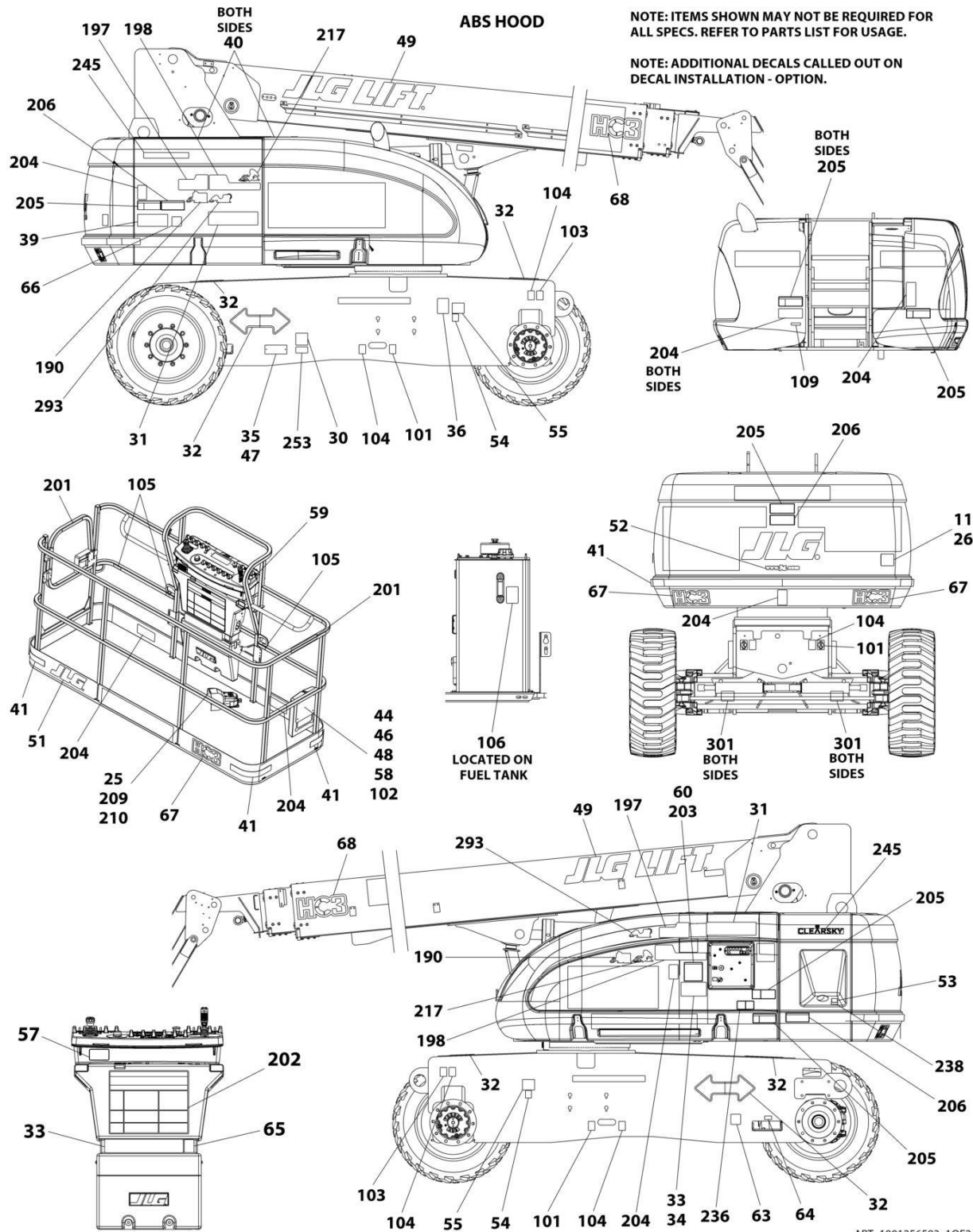
**FIGURE 9-7. DECAL INSTALLATION - 860SJ HC3 (JAPANESE SPECS)**

| ITEM | PART NUMBER | QTY | DESCRIPTION   | REV |
|------|-------------|-----|---|-----|
|      | 1001256588  | Ref | DECAL INSTALLATION                                  | B   |
|      | 1001256837  | Ref | REFERENCE CHART                                     | A   |
| 30   | See Note    | 1   | Decal - Bar Code (Note: Not Available for Purchase) |     |
| 31   | 1704907     | 2   | Decal - 860SJ                                       |     |
| 32   | 1701501     | 4   | Decal - Arrow                                       |     |
| 33   | 1001256579  | 1   | Decal - Warning                                     |     |
| 34   | 1001256580  | 1   | Decal - Warning                                     |     |
| 39   | 1001175354  | 1   | Decal - Lift Diagram                                |     |
| 40   | 1701691     | 4   | Decal - No Step                                     |     |
| 41   | 4420051     | AR  | Stripes, Warning                                    |     |
| 44   | 0860520     | 1   | Box, Manual Storage                                 |     |
| 46   | 3311405     | 4   | Nut 1/4   |     |
| 47   | 3820001     | 2   | Rivet   |     |
| 48   | 4751400     | 8   | Washer 1/4  |     |
| 58   | 0641406     | 4   | Bolt 1/4 x 3/4                                      |     |
| 59   | 1705426     | 1   | Decal - Drive/Steer Instructions                    |     |
| 63   | 1001224053  | 1   | Decal - Yearly Inspection                           |     |
| 100  | 1001109029  | 1   | Decal Kit - Master (Includes Items 101-106)         |     |
| 101  | 1701499     | 4   | Decal - No Lift                                     |     |
| 102  | 1701509     | 1   | Decal - Manual                                      |     |
| 103  | 1703811     | 4   | Decal - Tie Down/Lift                               |     |
| 104  | 1703814     | 6   | Decal - Tie Down                                    |     |
| 105  | 1704277     | 4   | Decal - Attach Lanyard Here                         |     |
| 106  | 1704412     | 1   | Decal - Hydraulic Oil Chart                         |     |
| 109  | 3251243     | 1   | Decal - Nameplate                                   |     |
| 200  | 2902308     | 1   | Decal Kit - Multi Color (Includes Items 202-210)    |     |
| 202  | 1703926     | 1   | Decal - Warning/Danger                              |     |
| 203  | 1705344     | 1   | Decal - Warning Inspection                          |     |
| 204  | 1703950     | 5   | Decal - Warning Crushing                            |     |
| 205  | 1703938     | 5   | Decal - Danger Electrocution                        |     |
| 206  | 1703944     | 7   | Decal - Warning Crushing                            |     |
| 210  | 1703980     | 1   | Decal - Footswitch                                  |     |
| 300  | 1001265971  | 1   | Decal Kit - Max Tire Load (Includes Item 301)       |     |
| 301  | 1703484     | 1   | Decal - Max Tire Load                               |     |



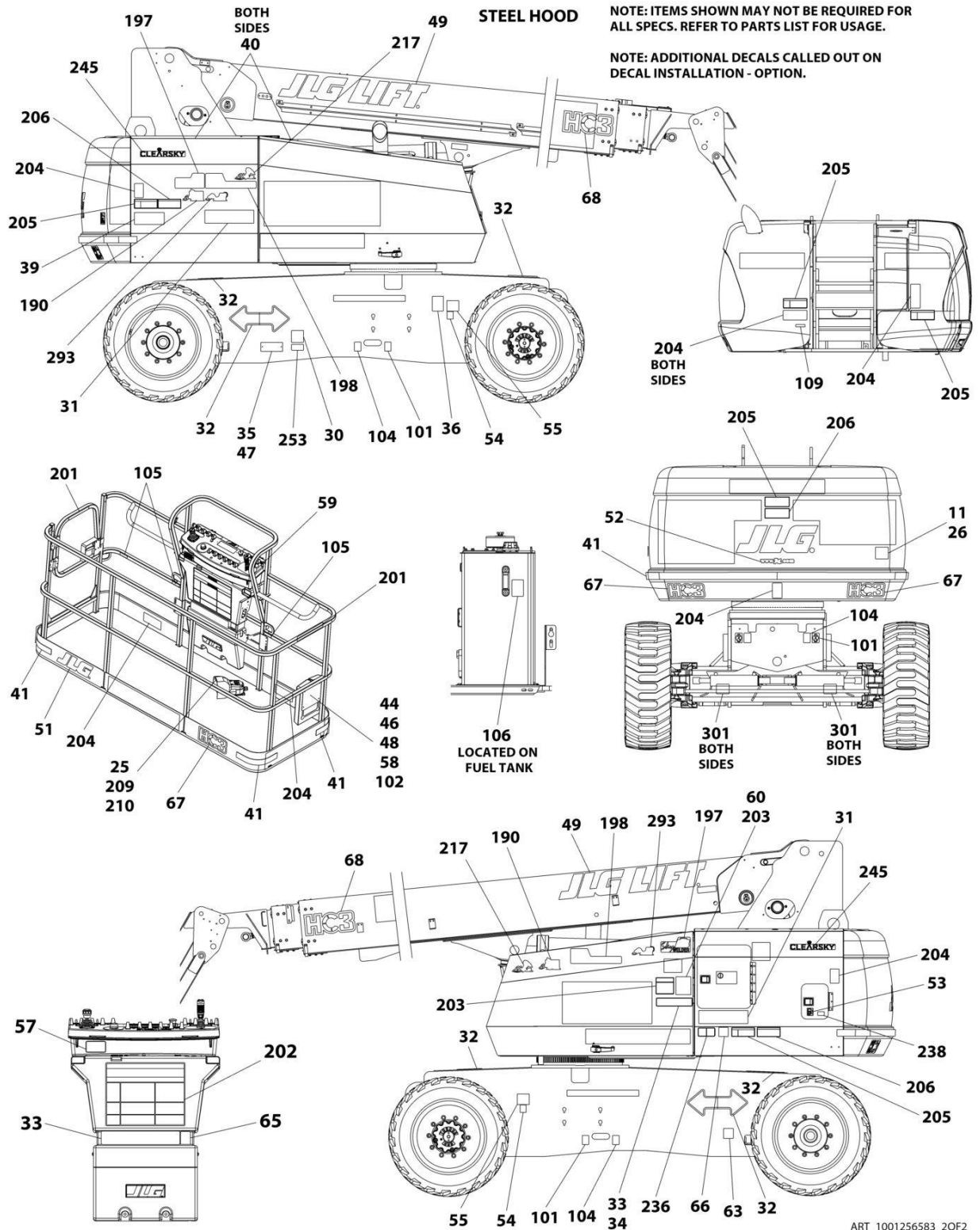
# SECTION 9 - DECALS

## FIGURE 9-8. DECAL INSTALLATION - 860SJ HC3 (KOREAN SPECS)



ART\_1001256583\_10F2

# SECTION 9 - DECALS



## SECTION 9 - DECALS

**FIGURE 9-8. DECAL INSTALLATION - 860SJ HC3 (KOREAN SPECS)**

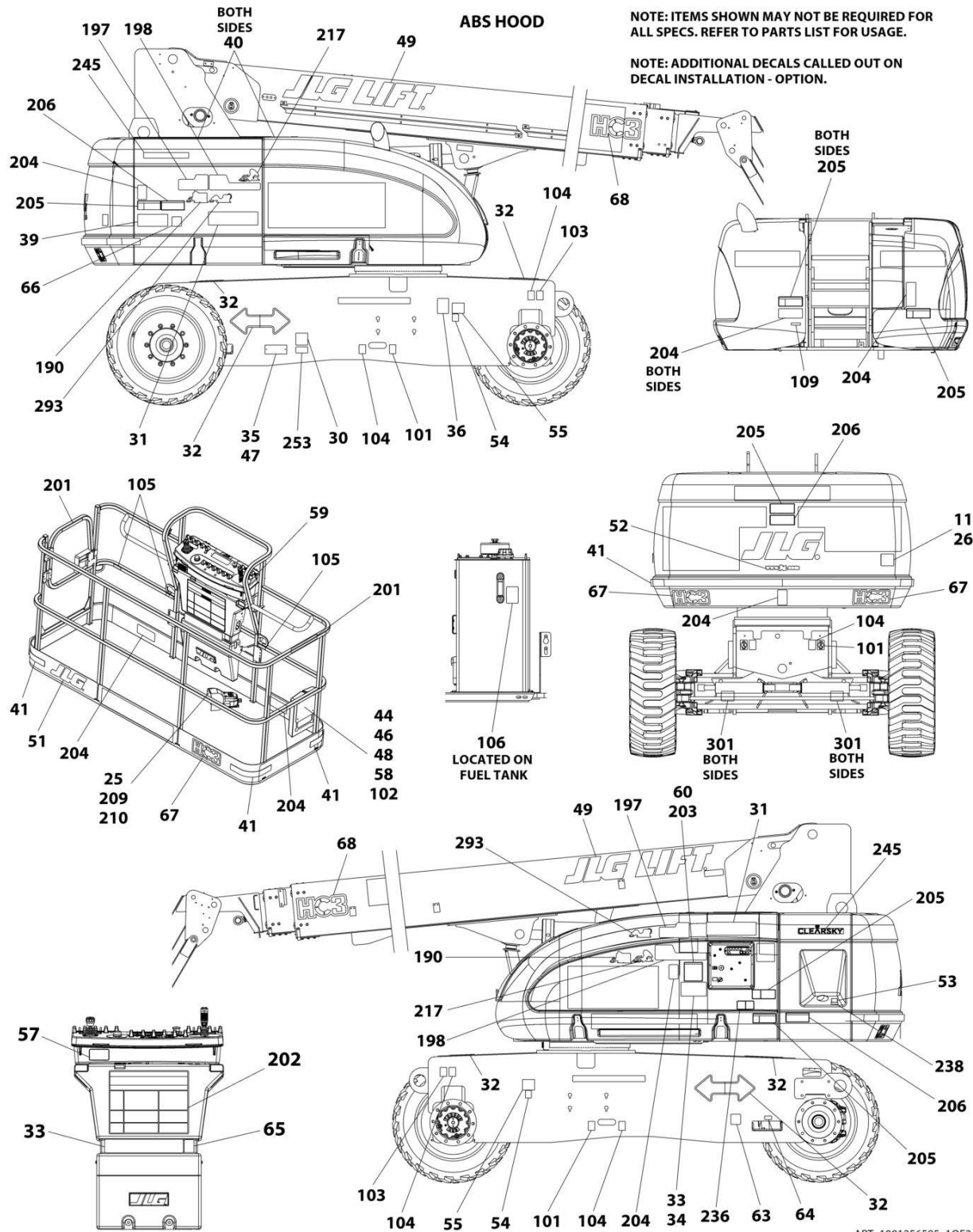
| ITEM | PART NUMBER | QTY        | DESCRIPTION   | REV |
|------|-------------|------------|---|-----|
|      | 1001256583  | Ref        | DECAL INSTALLATION                                  | B   |
|      | 1001256837  | Ref        | REFERENCE CHART                                     | A   |
| 30   | See Note    | NSS        | Decal - Bar Code (Note: Not Available for Purchase) |     |
| 31   | 1704907     | 2          | Decal - 860SJ                                       |     |
| 32   | 1701501     | 4          | Decal - Arrow                                       |     |
| 33   | 1001256569  | 1          | Decal - Warning                                     |     |
| 34   | 1001256570  | 1          | Decal - Warning                                     |     |
| 39   | 1001175354  | 1          | Decal - Lift Diagram                                |     |
| 40   | 1701691     | 4          | Decal - No Step                                     |     |
| 41   | 4420051     | 23.1 ft/7m | Stripes, Warning                                    |     |
| 44   | 0860520     | 1          | Box, Manual Storage                                 |     |
| 46   | 3311405     | 4          | Nut 1/4   |     |
| 47   | 3820001     | 2          | Rivet   |     |
| 48   | 4751400     | 8          | Washer 1/4  |     |
| 58   | 0641406     | 4          | Bolt 1/4 x 3/4                                      |     |
| 59   | 1705427     | 1          | Decal - Drive/Steer Instructions                    |     |
| 63   | 1001224048  | 1          | Decal - Yearly Inspection                           |     |
| 100  | 1001109029  | 1          | Decal Kit - Master (Includes Items 101-109)         |     |
| 101  | 1701499     | 4          | Decal - No Lift                                     |     |
| 102  | 1701509     | 1          | Decal - Manual                                      |     |
| 103  | 1703811     | 4          | Decal - Tie Down/Lift                               |     |
| 104  | 1703814     | 6          | Decal - Tie Down                                    |     |
| 105  | 1704277     | 4          | Decal - Attach Lanyard Here                         |     |
| 106  | 1704412     | 1          | Decal - Hydraulic Oil Chart                         |     |
| 109  | 3251243     | 1          | Nameplate - 120V-60HZ                               |     |
| 200  | 2902310     | 1          | Decal Kit - Country Spec (Includes Items 201-210)   |     |
| 201  | 1705969     | 2          | Decal - No Hands                                    |     |
| 202  | 1703927     | 1          | Decal - Warning/Danger                              |     |
| 203  | 1705345     | 1          | Decal - Warning Inspection (MTB)                    |     |
| 204  | 1703951     | 5          | Decal - Warning Crushing                            |     |
| 205  | 1703939     | 5          | Decal - Danger Electrocution                        |     |
| 206  | 1703945     | 7          | Decal - Warning Crushing                            |     |
| 210  | 1703981     | 1          | Decal - Footswitch                                  |     |
| 300  | 1001265971  | 1          | Decal Kit - Max Tire Load (Includes Item 301)       |     |
| 301  | 1703482     | 4          | Decal - Max Tire Load                               |     |





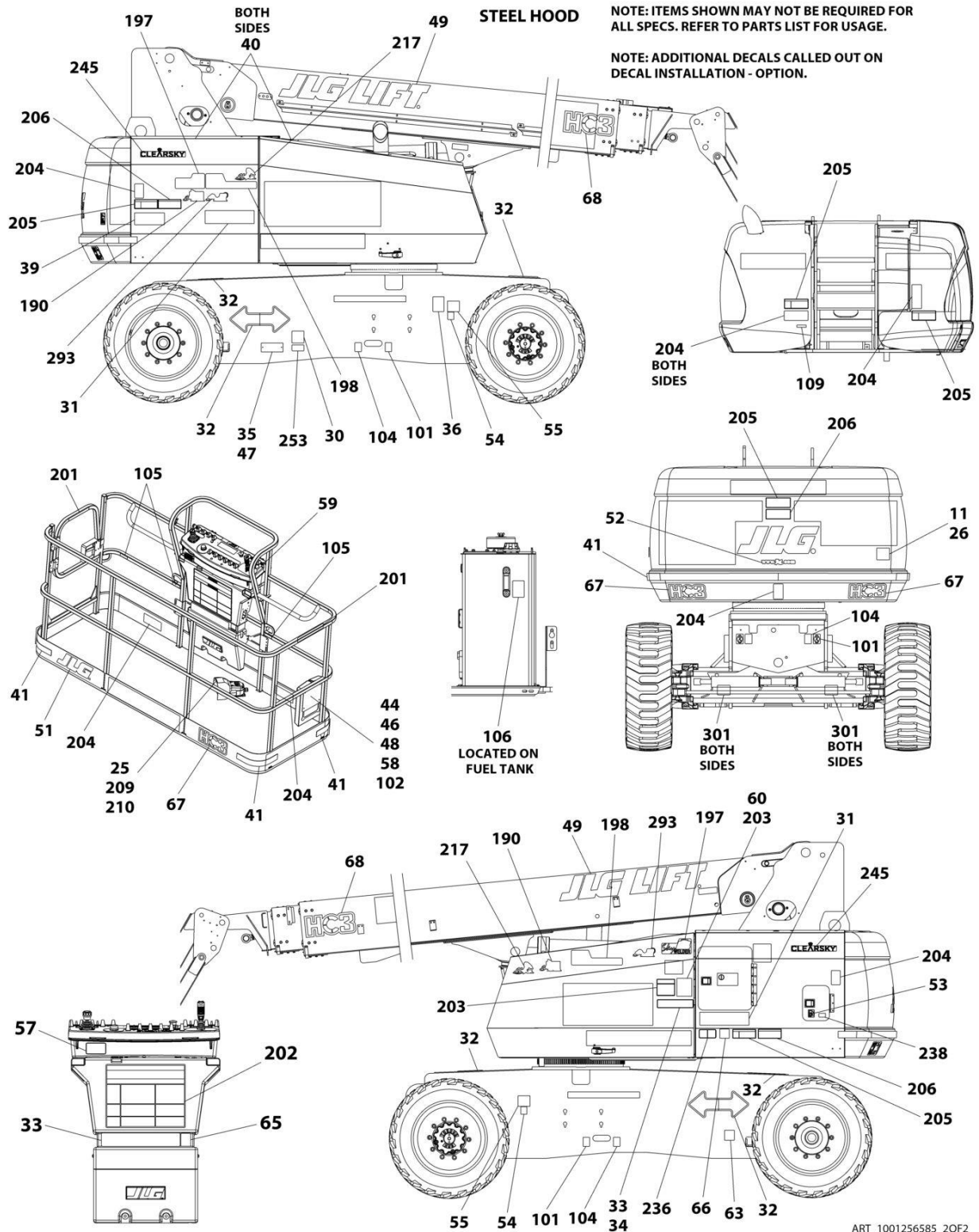
# SECTION 9 - DECALS

## FIGURE 9-9. DECAL INSTALLATION - 860SJ HC3 (LATIN AMERICAN SPECS)



ART\_1001256585\_10F2

# SECTION 9 - DECALS



## SECTION 9 - DECALS

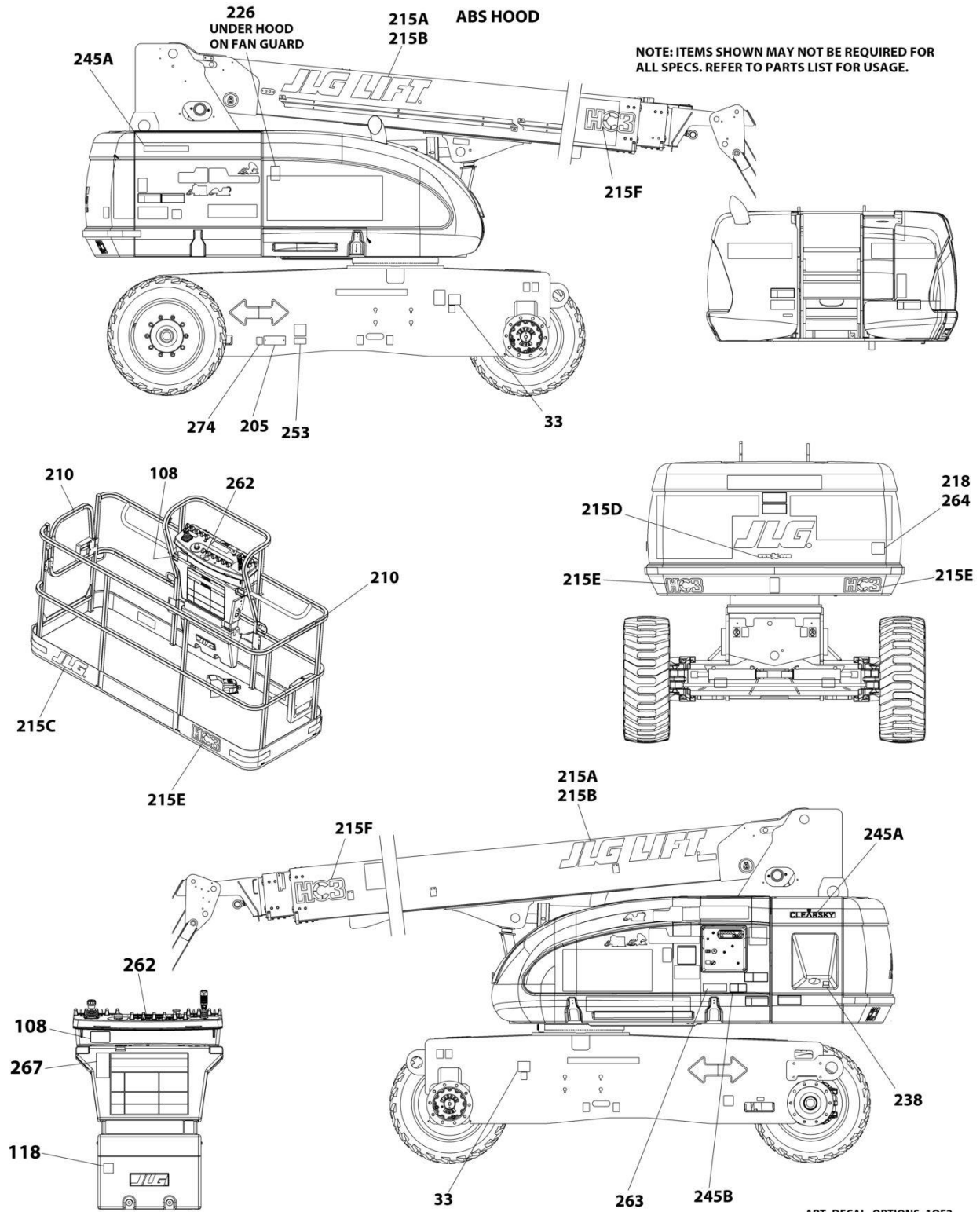
FIGURE 9-9. DECAL INSTALLATION - 860SJ HC3 (LATIN AMERICAN SPECS)

| ITEM | PART NUMBER | QTY        | DESCRIPTION   | REV |
|------|-------------|------------|---|-----|
|      | 1001256585  | Ref        | DECAL INSTALLATION                                  | B   |
|      | 1001256837  | Ref        | REFERENCE CHART                                     | A   |
| 30   | See Note    | NSS        | Decal - Bar Code (Note: Not Available for Purchase) |     |
| 31   | 1704907     | 2          | Decal - 860SJ                                       |     |
| 32   | 1701501     | 4          | Decal - Arrow                                       |     |
| 33   | 1001256573  | 1          | Decal - Warning                                     |     |
| 34   | 1001256574  | 1          | Decal - Warning                                     |     |
| 39   | 1001175354  | 1          | Decal - Lift Diagram                                |     |
| 40   | 1701691     | 4          | Decal - No Step                                     |     |
| 41   | 4420051     | 23.1 ft/7m | Stripes, Warning                                    |     |
| 44   | 0860520     | 1          | Box, Manual Storage                                 |     |
| 46   | 3311405     | 4          | Nut 1/4   |     |
| 47   | 3820001     | 2          | Rivet   |     |
| 48   | 4751400     | 8          | Washer 1/4  |     |
| 58   | 0641406     | 4          | Bolt 1/4 x 3/4                                      |     |
| 59   | 1705910     | 1          | Decal - Drive/Steer Instructions                    |     |
| 63   | 1001224049  | 1          | Decal - Yearly Inspection                           |     |
| 100  | 1001109029  | 1          | Decal Kit - Master (Includes Items 101-109)         |     |
| 101  | 1701499     | 4          | Decal - No Lift                                     |     |
| 102  | 1701509     | 1          | Decal - Manual                                      |     |
| 103  | 1703811     | 4          | Decal - Tie Down/Lift                               |     |
| 104  | 1703814     | 6          | Decal - Tie Down                                    |     |
| 105  | 1704277     | 4          | Decal - Attach Lanyard Here                         |     |
| 106  | 1704412     | 1          | Decal - Hydraulic Oil Chart                         |     |
| 109  | 3251243     | 1          | Nameplate - 120V-60HZ                               |     |
| 200  | 2902311     | 1          | Decal Kit - Country Spec (Includes Items 201-210)   |     |
| 201  | 1704001     | 2          | Decal - No Hands                                    |     |
| 202  | 1703923     | 1          | Decal - Warning/Danger                              |     |
| 203  | 1705917     | 1          | Decal - Warning Inspection (MTB)                    |     |
| 204  | 1703947     | 5          | Decal - Warning Crushing                            |     |
| 205  | 1703935     | 5          | Decal - Danger Electrocution                        |     |
| 206  | 1703941     | 7          | Decal - Warning Crushing                            |     |
| 210  | 1703983     | 1          | Decal - Footswitch                                  |     |
| 300  | 1001265971  | 1          | Decal Kit - Max Tire Load (Includes Item 301)       |     |
| 301  | 1703484     | 4          | Decal - Max Tire Load                               |     |



# SECTION 9 - DECALS

## FIGURE 9-10. DECAL INSTALLATION - OPTIONS



## SECTION 9 - DECALS

| ITEM | PART NUMBER | QTY | DESCRIPTION  | REV |
|------|-------------|-----|--|-----|
|      |             | Ref | DECAL INSTALLATION - OPTIONS   |     |
| 33   | 1700818     | 2   | Decal - Fuel (LP Gas Machines) (English Language) (ANSI and Australian Specs)                        |     |
| 33   | 1704271     | 2   | Decal - Fuel (LP Gas Machines) (English/French Languages) (CSA Specs)                                |     |
| 33   | 1702720     | 2   | Decal - Fuel (LP Gas Machines) (English/Spanish Languages) (ANSI Export Specs)                       |     |
| 108  | 1001231801  | 1   | Decal - Warning Proposition 65 (ANSI Specs)  |     |
| 118  | 0257195     | Ref | Decal - Government Warranty Installation (ANSI Spec)   |     |
| 118  | 1703179     | 1   | Decal - Government Warranty  |     |
| 205  | See Note    | 1   | Nameplate - Manufacturers Serial Number (Note: Not Available for Purchase)                           |     |
| 210  | 1702868     | 2   | Decal - No Hands (English Language)  |     |
| 210  | 1001218850  | 2   | Decal - No Hands (CE)  |     |
| 210  | 1001116846  | 2   | Decal - No Hands (English/Chinese Language)  |     |
| 210  | 1704000     | 2   | Decal - No Hands (English/French Language)   |     |
| 210  | 1705969     | 2   | Decal - No Hands (English/Korean Language)   |     |
| 210  | 1705967     | 2   | Decal - No Hands (English/Portuguese Language)   |     |
| 210  | 1704001     | 2   | Decal - No Hands (English/Spanish Language)  |     |
| 215  | 1001256838  | Ref | Decal - Logo Installation (All Specs Except CE Specs)  |     |
| 215  | 1001256839  | Ref | Decal - Logo Installation (CE Specs)   |     |
| 215A | 1702861     | 2   | Decal - JLG Lift (All Specs Except CE Specs)   |     |
| 215B | 1001159323  | 2   | Decal - JLG (CE Specs)   |     |
| 215C | 1702773     | 1   | Decal - JLG  |     |
| 215D | 1704885     | 1   | Decal - Website  |     |
| 215E | 1001244212  | 3   | Decal - HC3  |     |
| 215F | 1001256906  | 2   | Decal - HC3  |     |
| 218  | 3251813     | 1   | Decal - USA  |     |
| 226  | 1704972     | 1   | Decal - Warning Explosion/ Fire (English Language) (Diesel Machines) (ANSI Specs)                    |     |
| 226  | 1706098     | 1   | Decal - Warning Explosion/Fire (English Language) (Diesel Machines) (Australian & CE Specs)          |     |
| 226  | 1706059     | 1   | Decal - Warning Explosion/Fire (English/Portuguese Language) (Diesel Machines) (Brazil Specs)        |     |
| 226  | 1706060     | 1   | Decal - Warning Explosion/Fire (English/Chinese Language) (Diesel Machines) (Chinese Specs)          |     |
| 226  | 1706064     | 1   | Decal - Warning Explosion/Fire (English Language) (Diesel Machines) (CSA Specs)                      |     |
| 226  | 1706062     | 1   | Decal - Warning Explosion/Fire (English/Japanes Language) (Diesel Machines) (Japanese Specs)         |     |
| 226  | 1706061     | 1   | Decal - Warning Explosion/Fire (English/Korean Language) (Diesel Machines) (Korean Specs)            |     |
| 226  | 1706063     | 1   | Decal - Warning Explosion/Fire - (English/Spanish Language) (Diesel Machines) (Latin American Specs) |     |
| 238  | 1001125387  | 1   | Decal - Ultra Low Sulfur Fuel (Diesel Machines) (ANSI & CSA Specs)                                   |     |
| 238  | 1001139654  | 1   | Decal - Ultra Low Sulfur Fuel (Diesel Machines) (ANSI EXPORT (HRC), CE AND Japanese Specs)           |     |
| 245  | 1001120993  | Ref | Decal Installation - ClearSky (Machines with ClearSky Option)  |     |
| 245A | 1001116208  | 2   | Decal - ClearSky   |     |
| 245B | 1001120989  | 1   | Decal - Radio Frequency  |     |
| 253  | 1001143852  | 1   | Decal - Emission Compliance (Diesel Machines) (ANSI Export (LRC), Australian, CE & Chinese Specs)    |     |
| 262  | 1001141300  | 1   | Decal - SkyGuard Override (Machines without Soft Touch Option)                                       |     |

## SECTION 9 - DECALS

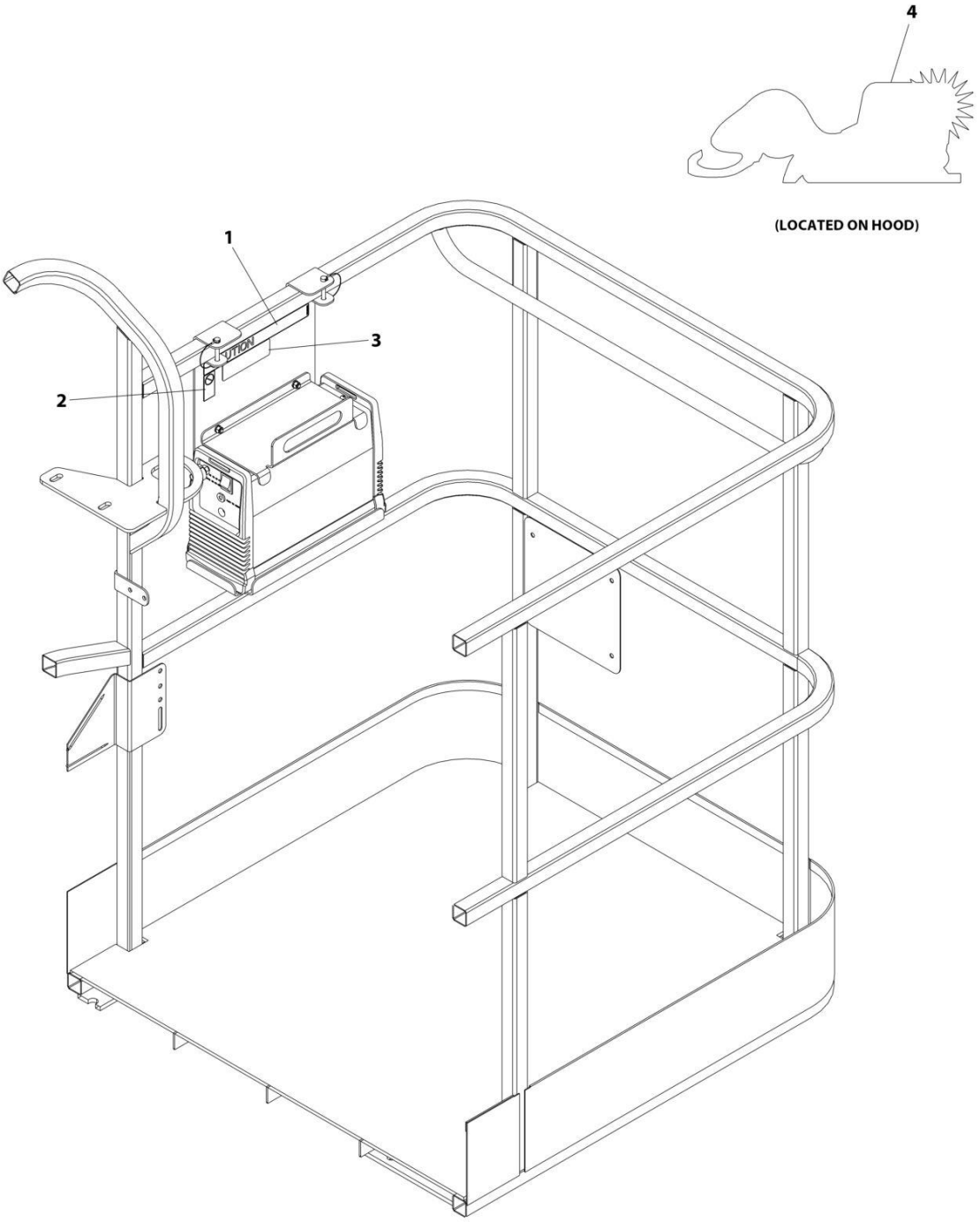
| ITEM | PART NUMBER | QTY | DESCRIPTION  | REV |
|------|-------------|-----|--|-----|
| 262  | 1001141302  | 1   | Decal - SkyGuard Override (Machines with Soft Touch Option)  |     |
| 263  | 1001197408  | 1   | Decal - MSSO (CE Specs)  |     |
| 264  | 1705980     | 1   | Decal - Sound Power (Machines with Deutz D2011 Engines)<br>(Australian & CE Specs)                                 |     |
| 264  | 1705368     | 1   | Decal - Sound Power (Machines with Deutz TD2.9L4 and Deutz<br>2.9L4 (Stage V) Engines with ABS Hoods) (CE Specs)   |     |
| 264  | 1001200072  | 1   | Decal - Sound Power (Machines with Deutz TD2.9L4 and Deutz<br>2.9L4 (Stage V) Engines with Steel Hoods) (CE Specs) |     |
| 267  | 1001200131  | 1   | Decal - Quick Start Guide (Danish Language)  |     |
| 267  | 1001200129  | 1   | Decal - Quick Start Guide (Dutch Language)   |     |
| 267  | 1001181145  | 1   | Decal - Quick Start Guide (English Language)   |     |
| 267  | 1001200128  | 1   | Decal - Quick Start Guide (French Language)  |     |
| 267  | 1001200130  | 1   | Decal - Quick Start Guide (German Language)  |     |
| 267  | 1001200134  | 1   | Decal - Quick Start Guide (Norwegian Language)   |     |
| 267  | 1001200132  | 1   | Decal - Quick Start Guide (Swedish Language)   |     |
| 267  | 1001200133  | 1   | Decal - Quick Start Guide (Spanish Language)   |     |
| 274  | 1001214030  | 1   | Decal Installation - EAC (Russian/CIS Specs)   |     |





**SECTION 9 - DECALS**

**FIGURE 9-11. SKYCUTTER DECAL INSTALLATION (ANSI, ANSI EXPORT & CSA SPECS)**



ART\_0272599

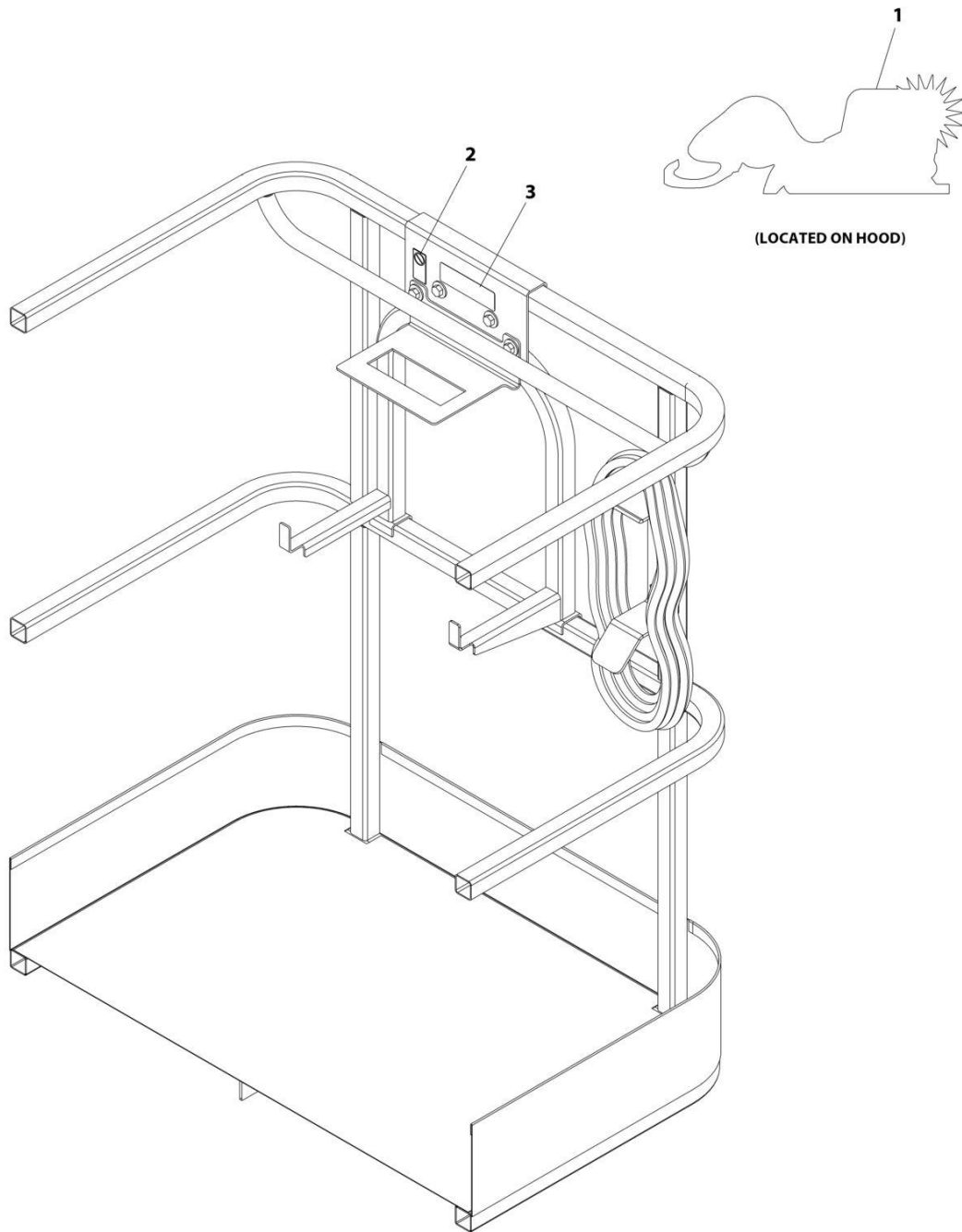
## SECTION 9 - DECALS

**FIGURE 9-11. SKYCUTTER DECAL INSTALLATION (ANSI, ANSI EXPORT & CSA SPECS)**

| ITEM | PART NUMBER | QTY | DESCRIPTION                  | REV |
|------|-------------|-----|------------------------------|-----|
|      | 0272599     | Ref | SKYCUTTER DECAL INSTALLATION | C   |
| 1    | 1702868     | 1   | Decal - No Hands             |     |
| 2    | 1705305     | 1   | Decal - Weld Leads           |     |
| 3    | 1001252627  | 1   | Decal - Weight               |     |
| 4    | 1705490     | 2   | Decal - SkyCutter            |     |

# SECTION 9 - DECALS

FIGURE 9-12. SKYCUTTER DECAL INSTALLATION (JAPANESE SPECS)



ART\_0272607\_C

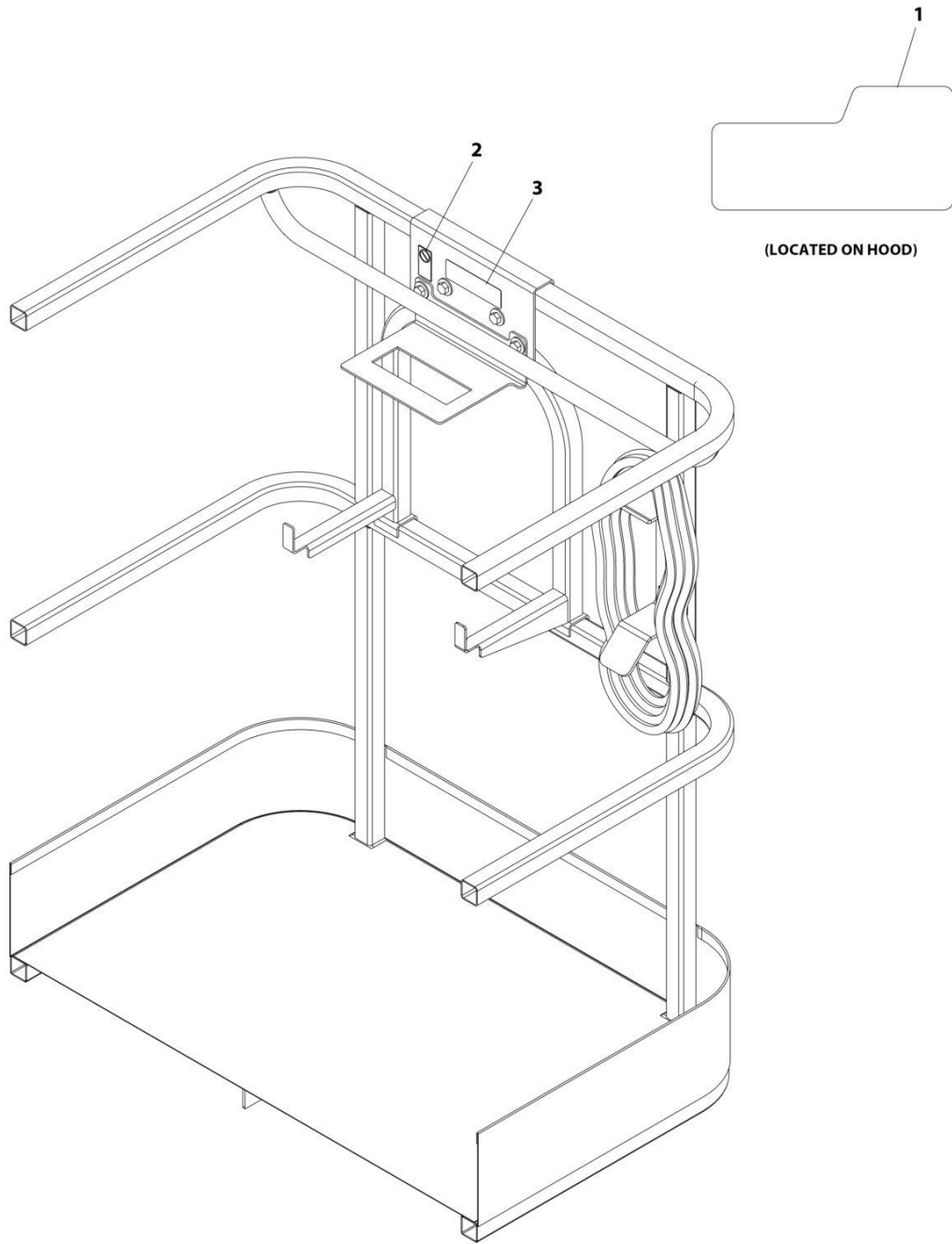
## SECTION 9 - DECALS

**FIGURE 9-12. SKYCUTTER DECAL INSTALLATION (JAPANESE SPECS)**

| ITEM | PART NUMBER | QTY | DESCRIPTION                  | REV |
|------|-------------|-----|------------------------------|-----|
|      | 0272607     | 1   | SKYCUTTER DECAL INSTALLATION | C   |
| 1    | 1705490     | 2   | Decal - SkyCutter            |     |
| 2    | 1705305     | 1   | Decal - Weld Lead            |     |
| 3    | 1001252627  | 1   | Decal - Weight               |     |

# SECTION 9 - DECALS

## FIGURE 9-13. SKYWELDER DECAL INSTALLATION - 50HZ



ART\_0272588

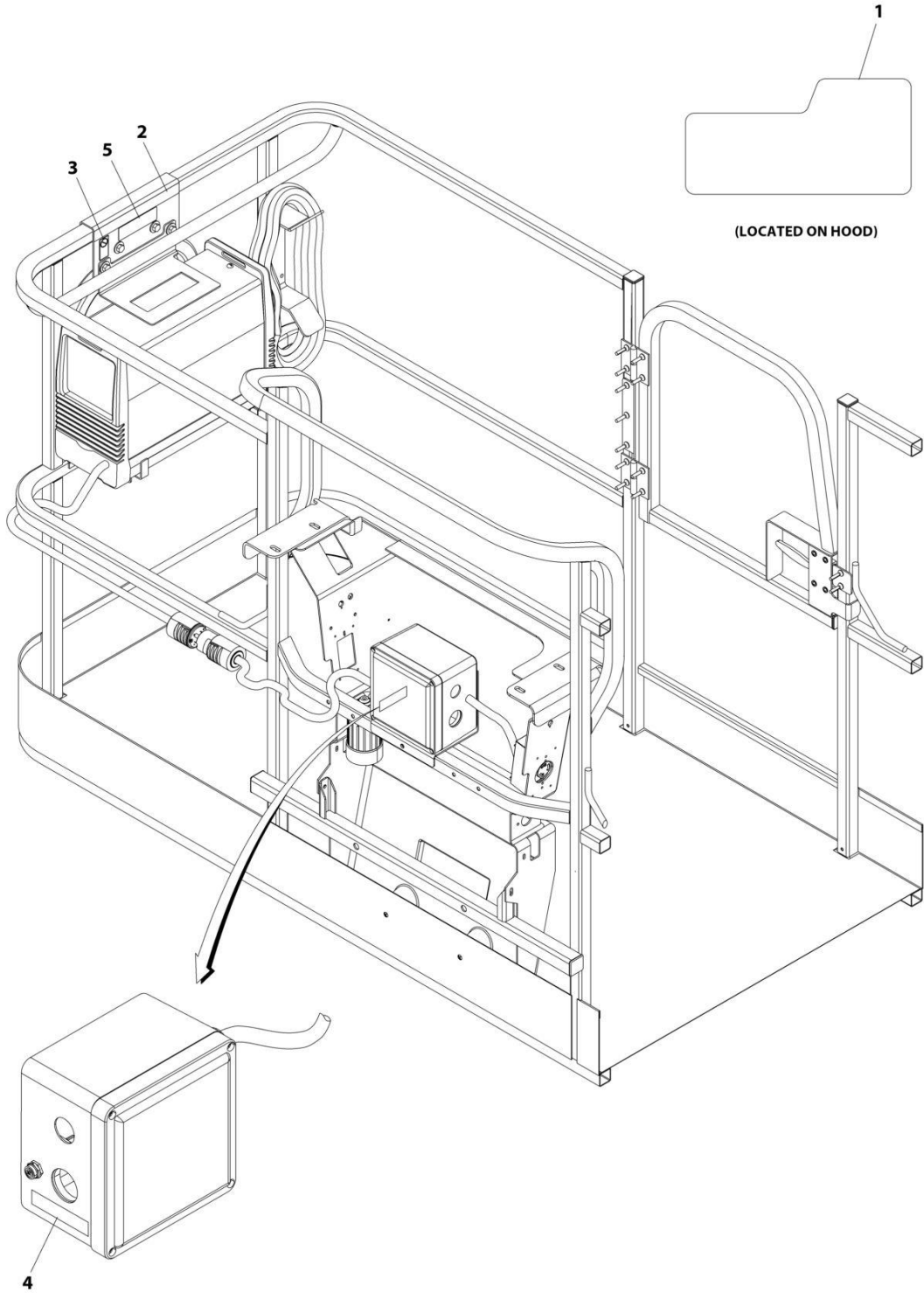
## SECTION 9 - DECALS

**FIGURE 9-13. SKYWELDER DECAL INSTALLATION - 50HZ**

| ITEM | PART NUMBER | QTY | DESCRIPTION                         | REV |
|------|-------------|-----|-------------------------------------|-----|
|      | 0272588     | Ref | SKYWELDER DECAL INSTALLATION - 50Hz | B   |
| 1    | 1705355     | 2   | Decal - SkyWelder                   |     |
| 2    | 1705305     | 1   | Decal - Weld Lead                   |     |
| 3    | 1001228988  | 1   | Decal - Weight                      |     |

# SECTION 9 - DECALS

FIGURE 9-14. SKYWELDER DECAL INSTALLATION - 60HZ (PVC 2007)



ART\_0272448\_C



## SECTION 9 - DECALS

**FIGURE 9-14. SKYWELDER DECAL INSTALLATION - 60HZ (PVC 2007)**

| ITEM | PART NUMBER | QTY | DESCRIPTION                         | REV |
|------|-------------|-----|-------------------------------------|-----|
|      | 0272448     | Ref | SKYWELDER DECAL INSTALLATION - 60Hz | C   |
| 1    | 1705355     | 2   | Decal - SkyWelder                   |     |
| 2    | 1702868     | 1   | Decal - No Hands                    |     |
| 3    | 1705305     | 1   | Decal - Weld Lead                   |     |
| 4    | 1705375     | 1   | Decal - 240V - 3 Phase - 60Hz       |     |
| 5    | 1001228988  | 1   | Decal - Weight                      |     |



**SECTION 10 - RECOMMENDED SERVICE PARTS STOCK**

**SECTION 10 - RECOMMENDED SERVICE PARTS STOCK**

# SECTION 10 - RECOMMENDED SERVICE PARTS STOCK

FIGURE 10-1. RECOMMENDED SERVICE PARTS STOCK 800S HC3 \_860SJ HC3

| ITEM | PART NUMBER | QTY | DESCRIPTION   | REV |
|------|-------------|-----|---|-----|
|      |             | Ref | Note: The following list will service one machine (built to current production per date on the front cover) with emergency repair parts which can be installed in the field. Parts from the list should be replaced when inventory is depleted to keep service parts stock supplied. For further information, contact your JLG dealer or the JLG Industries Parts Department. |     |
|      |             | Ref | STANDARD PARTS  |     |
|      | 70002231    | 12  | Element, Filter   |     |
|      | 7012944     | 1   | Coil  |     |
|      | 70003788    | 1   | Coil  |     |
|      | 70002386    | 1   | Coil  |     |
|      | 70003789    | 1   | Coil  |     |
|      | 70002814    | 1   | Hydraulic Tank Service Kit  |     |
|      | 3740049     | 1   | Relay   |     |
|      | 4360469     | 1   | Switch, Key (All Specs except CE Specs)   |     |
|      | 2860030     | 1   | Key, Replacement  |     |
|      | 4360475     | 1   | Switch, Mushroom  |     |
|      | 4360476     | 1   | Contact, Switch Block   |     |
|      | 1001155045  | 1   | Switch, Toggle  |     |
|      | 4360387     | 1   | Switch, Push Button   |     |
|      | 4360274     | 1   | Switch, Push Button   |     |
|      | 3740067     | 1   | Relay   |     |
|      | 70003921    | 1   | Powertrack Repair Section   |     |
|      | 70003922    | 1   | Powertrack Mounting Bracket Kit   |     |
|      | 70002097    | 3   | Element, High Pressure Filter   |     |
|      | 2940074     | 1   | Latch   |     |
|      | 4360407     | 1   | Controller, Speed   |     |
|      | 1001129555  | 1   | Controller (Lift and Swing)   |     |
|      | 1001212415  | 1   | Controller (Drive and Steer)  |     |
|      | 1001159256  | 1   | Switch, Toggle  |     |
|      | 1001161709  | 1   | Switch, Toggle  |     |
|      | 7012943     | 1   | Coil  |     |
|      | 7017451     | 1   | Coil  |     |
|      | 8229242     | 2   | Fuse - 5Amp   |     |
|      | 8229249     | 2   | Fuse - 3Amp   |     |
|      |             | Ref | VARIABLE PARTS  |     |
|      | 4360517     | 1   | Switch, Proximity   |     |
|      | 1001103667  | 1   | Module, Ground Control  |     |
|      | 1001142683  | 1   | Module, Beacon Light (Blue & Red Beacons Only)  |     |
|      | 3740080     | 1   | Relay (Deutz D2011 Engines)   |     |
|      | 70004020    | 12  | Element, Air Cleaner (Deutz D2011 Engines)  |     |
|      | 7016331     | 4   | Filter, Oil (Deutz D2011 Engines)   |     |
|      | 7016328     | 4   | Filter, Fuel (Deutz D2011 Engines)  |     |
|      | 7027795     | 1   | Module, Engine Control (Deutz D2011 Engines)  |     |
|      | 1001117308  | 1   | Relay (Deutz TD2.9L4 and Deutz TD2.9L4 (Stage V) Engines)   |     |
|      | 1001138228  | 1   | Module, Power Relay (Deutz TD2.9L4 and Deutz TD2.9L4 (Stage V) Engines)   |     |
|      | 70023593    | 2   | Fuse 30Amp (Deutz TD2.9L4 and Deutz TD2.9L4 (Stage V) Engines)  |     |
|      | 70023592    | 2   | Fuse 20Amp (Deutz TD2.9L4 and Deutz TD2.9L4 (Stage V) Engines)  |     |

## SECTION 10 - RECOMMENDED SERVICE PARTS STOCK

| ITEM | PART NUMBER | QTY | DESCRIPTION   | REV |
|------|-------------|-----|---|-----|
|      |             |     | Engines)  |     |
|      | 91403102    | 12  | Element, Air Cleaner (Deutz TD2.9L4 and Deutz TD2.9L4 (Stage V) Engines)                |     |
|      | 7016331     | 4   | Filter, Oil (Deutz TD2.9L4 and Deutz TD2.9L4 (Stage V) Engines)                         |     |
|      | 70025153    | 4   | Filter, Fuel (Deutz TD2.9L4 and Deutz TD2.9L4 (Stage V) Engines)                        |     |
|      | 70025210    | 1   | Module, Engine Control (Deutz TD2.9L4 Engine)   |     |
|      | 4360336     | 1   | Switch, Toggle (Machines with Dual Fuel)  |     |
|      | 70005008    | 12  | Element, Filter - Primary (Ford DF 2.5L Engines)  |     |
|      | 70006460    | 12  | Element, Filter - Secondary (Ford DF 2.5L Engines)                                      |     |
|      | 70006213    | 4   | Filter, Oil (Ford DF 2.5L Engines)  |     |
|      | 70006155    | 4   | Filter, Fuel (Ford DF 2.5L Engines)   |     |
|      | 70006176    | 1   | Module - Engine Control (Ford DF 2.5L Engines)  |     |
|      | 70006175    | 2   | Fuse - 20Amp (Ford DF 2.5L Engines)   |     |
|      | 1001202281  | 1   | Element, Fuel/Water Separator Filter (Deutz D2011 Engines) (PVC2001)                    |     |
|      | 70006405    | 1   | Element, Fuel/Water Separator Filter (Deutz D2011 Engines)(PVC2007)                     |     |
|      | 70006405    | 1   | Element, Fuel/Water Separator Filter Deutz TD2.9L4 and Deutz TD2.9L4 (Stage V) Engines) |     |
|      | 3740080     | 1   | Relay (Machines with 2500W Generator)   |     |
|      | 4360336     | 1   | Switch, Toggle (Machines with Generator)  |     |
|      | 1001147479  | 1   | Sensor, Boom Level  |     |
|      | 1001247468  | 1   | Cell, Load Sensing  |     |
|      | 1001170847  | 1   | Switch, Proximity   |     |
|      | 1001182570  | 1   | Switch, Proximity   |     |
|      | 1001191022  | 1   | Switch, Proximity   |     |
|      | 1001141138  | 1   | Module, Platform  |     |
|      | 1001117172  | 1   | Footswitch  |     |
|      | 4360328     | 1   | Switch, Toggle (Machines with Jib)  |     |
|      | 1001228224  | 1   | Sensor, Receiver (Machiens with SkyEye)   |     |
|      | 1001228225  | 1   | Sensor, Emitter (Machiens with SkyEye)  |     |
|      | 1001137673  | 1   | SkyGuard Switch Assembly (Machines with SkyGuard)                                       |     |
|      | 1001186431  | 1   | Relay (Machines with SkyGuard)  |     |
|      | 1001232667  | 1   | Switch, Proximity (Machines with SkyLine)   |     |
|      | 3740086     | 1   | Relay (Machines with SkyLine)   |     |
|      | 4360057     | 1   | Switch, Limit (Machines with Soft-Touch)  |     |
|      | 4360506     | 1   | Switch, Proximity   |     |
|      | 1001181045  | 1   | Breaker, Circuit - 30mA/16Amp (Brazil & CE Specs)                                       |     |
|      | 1001181046  | 1   | Breaker, Circuit - 10Amp (CE Specs without 7500W Skypower Generator))                   |     |
|      | 80983191    | 2   | Fuse 10Amp (Deutz TD2.9L4 Engine)   |     |
|      | 2400064     | 2   | Fuse - 5Amp (Ford DF 2.5L Engine Machines with SkyPower)                                |     |
|      | 4360070     | 1   | Breaker, Circuit (Machines with SkyPower)   |     |



**SECTION 11 - SPECIAL OPTIONS**

# SECTION 11 - SPECIAL OPTIONS

FIGURE 11-1. SPECIAL OPTIONS

| ITEM | PART NUMBER | QTY | DESCRIPTION   | REV |
|------|-------------|-----|---|-----|
|      |             | Ref | Note: This list is to accommodate machines ordered with special equipment. Options may not be applicable to all models. For more specific parts information contact JLG Parts Department. |     |
|      |             | Ref | MISCELLANEOUS SPECIAL OPTIONS   |     |
|      | 1001229762  | Ref | Air Intake Shut-off Valve (Deutz TD2.9L4 Engines)   |     |
|      | 1340061     | Ref | Air Cleaner Precleaner  |     |
|      |             | Ref | Air Line at Platform Installations  |     |
|      | 0271473     | Ref | Air Line at Platform Installations 860SJ HC3  |     |
|      | 1001091713  | Ref | Air Line at Platform Installations 860SJ HC3 (With Arctic Package)  |     |
|      | 1001257440  | Ref | Bellows Installations - Boom  |     |
|      | 1001158259  | Ref | Bellows Installations - Frame   |     |
|      | 1001197240  | Ref | Boom Rope Service Kit (860SJ)   |     |
|      | 2910888     | Ref | Boom Wear Pad Kit   |     |
|      | 1001257418  | Ref | Boom Wiper Installation   |     |
|      | 1001233047  | Ref | Breather Heater Kit (Deutz TD2.9L4 Engines)   |     |
|      | 1001172045  | Ref | Cable/Ladder Rack Installation  |     |
|      |             | Ref | ClearSky (Telematics) Add-on Kits (Dealer Installed)  |     |
|      | 1001242409  | Ref | ClearSky (Telematics) Access Control Add-on Kit (Dealer Installed) (ANSI, ANSI Export and CSA Specs)  |     |
|      | 1001243183  | Ref | ClearSky (Telematics) Added-on Kit (Dealer Installed) (ANSI, ANSI Export and CSA Specs)   |     |
|      | 1001243184  | Ref | ClearSky (Telematics) Added-on Kit (Dealer Installed) (CE Specs)  |     |
|      | 1001246142  | Ref | ClearSky (Telematics) Added-on Kit (Dealer Installed) (Australian Specs)  |     |
|      |             | Ref | ClearSky (Telematics) Installation (Factory Installed)  |     |
|      |             | Ref | ClearSky (Telematics) Kit (Dealer Installed)  |     |
|      | 1001119939  | Ref | ANSI Spec   |     |
|      | 1001119947  | Ref | CSA Spec  |     |
|      |             | Ref | <b>ClearSky Telematics Installations (Factory Installed)</b>  |     |
|      | 1001227494  | Ref | ClearSky Telematics Installation - Canbus Connection (Factory Installed) (ANSI & CSA Specs)   |     |
|      | 1001228950  | Ref | ClearSky Telematics Installation - Canbus Connection (Factory Installed) (ANSI EXPORT & CE Specs)   |     |
|      | 1001246475  | Ref | ClearSky Telematics Installation - Canbus Connection (Factory Installed) (Australian Specs)   |     |
|      | 1001246476  | Ref | ClearSky Telematics Installation - Canbus Connection (Factory Installed) (China)  |     |
|      | 1001229107  | Ref | ClearSky Telematics Installation - 3 Wire Connection (Factory Installed) (ANSI & CSA Specs)   |     |
|      | 1001233237  | Ref | ClearSky Telematics Installation - 3 Wire Connection (Factory Installed) (ANSI EXPORT & CE Specs)   |     |
|      |             | Ref | Cold Weather Start Kits (Factory Installed)   |     |
|      | 1001178208  | Ref | Deutz D2011 Engine Machines   |     |
|      | 1001178207  | Ref | Deutz TD2.9L4 Engine and Deutz TD2.9L4 (Stage V) Engine Machines  |     |
|      | 1001219840  | Ref | Ford DF 2.5L Engine Machines  |     |
|      | 1001245137  | Ref | Control Valve Lockdown Kit (Used on Valves p/n 1001235900, 1001235901 & 1001244114)   |     |
|      | 1001115918  | Ref | Cribbing Switch Installation  |     |
|      |             | Ref | Decal Kits Options:   |     |



## SECTION 11 - SPECIAL OPTIONS

| ITEM | PART NUMBER | QTY | DESCRIPTION   | REV |
|------|-------------|-----|---|-----|
|      | 1001241345  | Ref | Decal Kit - Platform Console Box (ANSI Spec)  |     |
|      | 1001109257  | Ref | Drive Orientation Kit (860SJ)   |     |
|      | 2902394     | Ref | Drive/Steer Cutout Kit  |     |
|      |             | Ref | Electrical Connector Kits   |     |
|      | 1001148902  | Ref | Amp/Tyco Electrical Connector Kit   |     |
|      | 1001148903  | Ref | Deutsch DT Electrical Connector Kit   |     |
|      | 1001148904  | Ref | Deutsch HD Electrical Connector Kit   |     |
|      | 1001148905  | Ref | Packard Electrical Connector Kit  |     |
|      | 1001148906  | Ref | Various Electrical Connectors Kit   |     |
|      | 1001218022  | Ref | Engine Block Heater Installation (Ford DF 2.5L Engines)   |     |
|      | 1001246867  | Ref | Enhanced Detection System (EDS) Level 1 (2-Bar) Installation Kit  |     |
|      | 1001246860  | Ref | Enhanced Detection System (EDS) Level 2 (3-Bar) Installation Kit  |     |
|      | 1001237883  | Ref | Fall Arrest (Bolt-on) Add-on Kit (6ft/1.82m Platform (ANSI, ANSI Export, China, CSA & Japanese Specs Only) (Fits Platform p/ns 1001186384, 1001144024 & 1001228376) |     |
|      | 1001237882  | Ref | Fall Arrest (Bolt-on) Add-on Kit (8ft/2.4m Platform (ANSI, ANSI Export, China, CSA & Japanese Specs Only) (Fits Platform p/ns 1001186383 & 1001144023)              |     |
|      |             | Ref | Fan Cover/Grille Options:   |     |
|      | 1001182599  | Ref | Fan Cover Installation (Deutz D2011 Engines)  |     |
|      | 1001177694  | Ref | Fan Grille Installation (Deutz TD2.9L4 Engines and Deutz TD2.9L4 (Stage V) Engines) (Modine Radiator Only)  |     |
|      | 1001093389  | Ref | Fan Cover Installation (Ford DF 2.5L Engines)   |     |
|      | 1001139099  | Ref | Fire Extinguisher Installation (20lb) (Platform Mounted)  |     |
|      | 1001239235  | Ref | Fire Protection for Platform Valves and Filter (860SJ)  |     |
|      |             | Ref | Filter Kits:  |     |
|      |             | Ref | Combined Filter Kit (Hydraulic/Air and Fuel/Engine Oil)   |     |
|      | 1001225623  | 1   | Deutz D2011 Engine Machines   |     |
|      | 1001195537  | 1   | Deutz DT2.9L4 Engine Machines   |     |
|      | 1001114052  | 1   | Ford DF 2.5L Engine Machines  |     |
|      | 1001117294  | Ref | Footswitch Shield (With Arctic Package)   |     |
|      | 1001202749  | Ref | Fuel Cap Cover Installation (Black) (Note: Lock p/n 1001102157 Must be Purchased Separately)  |     |
|      | 1001191395  | Ref | Fuel Cap Cover Installation (Green) (Diesel Machines) (Note: Lock p/n 1001102157 Must be Purchased Separately)  |     |
|      | 1001191394  | Ref | Fuel Cap Cover Installation (Red) (Gas Machines) (Note: Lock p/n 1001102157 Must be Purchased Separately)   |     |
|      | 1001116163  | Ref | 7500W/60Hz Generator Add-on Kit   |     |
|      | 1001210977  | Ref | Hostile (Extreme) Environment Installation (860SJ HC3 with Deutz Engine) (Factory Installed) (ANSI, ANSI Export, CE-LRC, China, CSA and Japanese Specs)             |     |
|      | 1001241416  | Ref | Hostile (Extreme) Environment Add-on Kit (860SJ HC3 with Deutz Engine) (Dealer Installed) (ANSI, ANSI Export, CE-LRC, China, CSA and Japanese Specs)                |     |
|      | 1001094475  | Ref | Hourmeter for Generator   |     |
|      | 1001229935  | Ref | Hydraulic Tank Lock Installation  |     |
|      |             | Ref | Light Options   |     |
|      | 0272057     | Ref | Chassis Illumination Lights (ABS Hoods)   |     |
|      | 1001184259  | Ref | Chassis Illumination Lights (Steel Hoods)   |     |
|      | 0271552     | Ref | Headlights & Taillights Installation (ABS Hoods)  |     |
|      | 1001164786  | Ref | Headlights & Taillights Installation (Steel Hoods)  |     |
|      | 0272058     | Ref | Platform Flood Lights Installation  |     |
|      | 0273483     | Ref | Platform Worklights Installation (860SJ HC3)  |     |
|      | 1001128153  | Ref | Platform Worklights Installation (Worklight 4 Corner)   |     |

## SECTION 11 - SPECIAL OPTIONS

| ITEM | PART NUMBER | QTY | DESCRIPTION  | REV |
|------|-------------|-----|--|-----|
|      | 1001152965  | Ref | Strobe Light Installation - Platform Mounted (Amber)   |     |
|      | 1001154231  | Ref | Strobe Light Installation - Platform & Ground Mounted (Amber)  |     |
|      | 1001236951  | Ref | Low Temperature Cutout Installation (Russian Specs)  |     |
|      |             | Ref | Oil Cooler Options:  |     |
|      | 1001158251  | Ref | Oil Cooler Installations (Deutz D2011 Engines)   |     |
|      | 1001186631  | Ref | Oil Cooler Installations (Deutz TD2.9L4 Engines and Deutz TD2.9L4 (Stage V) Engines) (YMER Cooler)                                       |     |
|      | 1001219633  | Ref | Oil Cooler Installations (Ford DF 2.5L Engines)  |     |
|      | 1580013     | Ref | Platform Corner Storage Tray   |     |
|      | 1001214984  | Ref | Platform Box Decal Protection Installation (GB China Specs)  |     |
|      |             | Ref | Platform Box Cover Installations   |     |
|      | 1001195304  | Ref | Plastic Cover  |     |
|      | 1001110974  | Ref | Steel Cover  |     |
|      |             | Ref | Platform Entry Kits  |     |
|      | 1001142504  | Ref | Drop Bar (Replacing Swing Gate with Drop Bar)  |     |
|      | 1001142505  | Ref | Swing Gate (Replacing Drop Bar with Swing Gate)  |     |
|      |             | Ref | Platform Mesh To Mid Rail Installation (Side Entry Platform)   |     |
|      | 1001140318  | Ref | Platform Mesh To Mid Rail Installation (Side Entry Platform) 800S/860SJ - 2.5ft x 4ft Platforms (ANSI, ANSI Export and Australian Specs) |     |
|      | 1001140315  | Ref | Platform Mesh To Mid Rail Installation (Side Entry Platform) 800S/860SJ - 2.5ft x 5ft Platforms (ANSI, ANSI Export and CSA Specs)        |     |
|      | 1001138772  | Ref | Platform Mesh To Mid Rail Installation (Side Entry Platform) 800S/860SJ - 3ft x 6ft Platforms (ANSI, ANSI Export and CSA Specs)          |     |
|      | 1001138773  | Ref | Platform Mesh To Mid Rail Installation (Side Entry Platform) 800S/860SJ - 3ft x 8ft Platforms (ANSI, ANSI Export and CSA Specs)          |     |
|      |             | Ref | Platform Mesh to Mid Rail Add-on Kits:   |     |
|      | 1001214478  | Ref | 30in x 4ft (76cm x 1.22m) with Gate  |     |
|      | 1001214515  | Ref | 30in x 5ft (76cm x 1.52m) with Gate  |     |
|      | 1001214540  | Ref | 36in x 6ft (91.5cm x 1.83m) with Gate  |     |
|      | 1001214548  | Ref | 36in x 8ft (91.5cm x 2.44m) with Gate  |     |
|      |             | Ref | Platform Mesh To Top Rail Installation (Side Entry Platform)   |     |
|      | 0273147     | Ref | Platform Mesh To Top Rail Installation (Side Entry Platform) - 2.5ft x 4ft Platforms (ANSI, ANSI Export and CSA Specs)                   |     |
|      | 0273146     | Ref | Platform Mesh To Top Rail Installation (Side Entry Platform) - 2.5ft x 5ft Platforms (ANSI, ANSI Export and CSA Specs)                   |     |
|      | 0273149     | Ref | Platform Mesh To Top Rail Installation (Side Entry Platform) - 3ft x 6ft Platforms (ANSI, ANSI Export and CSA Specs)                     |     |
|      | 0273145     | Ref | Platform Mesh To Top Rail Installation (Side Entry Platform) - 3ft x 8ft Platforms (ANSI, ANSI Export and CSA Specs)                     |     |
|      |             | Ref | Platform Mesh to Top Rail Add-on Kits:   |     |
|      | 1001214552  | Ref | 30in x 4ft (76cm x 1.22m) with Gate  |     |
|      | 1001214559  | Ref | 30in x 5ft (76cm x 1.52m) with Gate  |     |
|      | 1001214561  | Ref | 36in x 6ft (91.5cm x 1.83m) with Gate  |     |
|      | 1001214562  | Ref | 36in x 8ft (91.5cm x 2.44m) with Gate  |     |
|      | 1001149730  | Ref | Platform Mid Rail Repair Kit   |     |
|      |             | Ref | Platform Top Rail Extension Installations  |     |
|      | 0272733     | 1   | Platform 6ft (1.83m)   |     |
|      | 0272725     | 1   | Platform 8ft (2.44m)   |     |
|      | 1001209059  | Ref | Platform Work Surface Installation   |     |
|      | 1001100121  | Ref | Programmable Security Lock Installation (CE and China Specs)   |     |

## SECTION 11 - SPECIAL OPTIONS

| ITEM | PART NUMBER | QTY | DESCRIPTION   | REV |
|------|-------------|-----|---|-----|
|      |             |     | Only)   |     |
|      | 1001162546  | Ref | Pump Coupling Service Kit (Sauer Danfoss)   |     |
|      | 1001190889  | Ref | Service Kits/Tools  | Q   |
|      | 1001241547  | Ref | SkyEye Housing Kit (Left Side)  |     |
|      | 1001241548  | Ref | SkyEye Housing Kit (Right Side)   |     |
|      | 1001247073  | Ref | SkyEye Retrofit Kit   |     |
|      |             | Ref | SkyGuard Component Options:   |     |
|      | 1001206477  | Ref | SkyGuard Complete Add-On Kit (Blue Beacon)  |     |
|      | 1001210026  | Ref | SkyGuard Complete Add-On Kit (Red Beacon)   |     |
|      | 1001137672  | Ref | SkyGuard Platform Sensor Kit  |     |
|      | 1001137440  | 1   | SkyGuard Sensor Harness   |     |
|      | 1001186431  | 2   | Relay   |     |
|      | 1001206311  | Ref | SkyGuard Strobe Light Kit (Blue Beacon)   |     |
|      | 1001210025  | Ref | SkyGuard Strobe Light Kit (Red Beacon)  |     |
|      | 1001250595  | Ref | SkyGuard 6-Pin Retrofit Installation Kit  |     |
|      | 1001249052  | Ref | SkyGuard Retrofit Kit (Dealer Installed)  |     |
|      | 1001232643  | Ref | SkyLine Kit (Dealer Installed)  |     |
|      | 1001250465  | Ref | SkySense/Enhanced Detection System (EDS) Level 1 (2-Bar) Installation Kit (Factory Installed) |     |
|      | 1001250466  | Ref | SkySense/Enhanced Detection System (EDS) Level 2 (3-Bar) Installation Kit (Factory Installed) |     |
|      | 1001246867  | Ref | SkySense/Enhanced Detection System (EDS) Level 1 (2-Bar) Installation Kit (Dealer Installed)  |     |
|      | 1001246860  | Ref | SkySense/Enhanced Detection System (EDS) Level 2 (3-Bar) Installation Kit (Dealer Installed)  |     |
|      | 1001231235  | Ref | SkyWelder Locking Bracket Installation  |     |
|      | 1001110926  | Ref | Soft Touch (Overhead) Installation (Chinese/Korean Specs Only)                                |     |
|      |             | Ref | Tools for Service   |     |
|      | 2901443     | 1   | Analyzer Kit  |     |
|      | 1001249695  | 1   | Analyzer and Cable Kit  |     |
|      | 1001249941  | 1   | Analyzer and Cable Kit (Battery Powered)  |     |
|      | 8896941     | 1   | Wire Stripper   |     |
|      | 7002821     | 1   | Wire Crimper (To install wire ends to wires)  |     |
|      | 7002823     | 1   | Pin/Socket Extractor - Universal (To Remove Pins/Sockets from Connectors)                     |     |
|      | 4460467     | 1   | Extractor - 16-18 Gauge (For Removal of Pin/Sockets from Deutsch Connectors)                  |     |
|      | 4460510     | 1   | Extractor - 12-14 Gauge (For Removal of Pin/Sockets from Deutsch Connectors)                  |     |
|      | 7002822     | 1   | Screwdriver, Potentiometer (To Adjust Drive Controllers)                                      |     |
|      | 7016654     | 1   | Screwdriver, Magnetic   |     |
|      | 7004275     | 1   | Seal Installation Tool - 1in  |     |
|      | 7004276     | 1   | Seal Installation Tool - 1-1/2in  |     |
|      | 7002826     | 1   | Seal Installation Tool - 2in  |     |
|      | 7016655     | 1   | Wire Rope Sheave Gauge  |     |
|      | 1001137005  | 1   | Software Cable Kit  |     |
|      | 70005663    | 1   | Tool, Port Plate for Pump p/n 1001142522  |     |
|      | 1001228355  | Ref | Turntable Bearing Cover Installation  |     |
|      | 2915094     | Ref | Turntable Bearing Replacement Kit   |     |



**PART NUMBER INDEX**

## SECTION 11 - SPECIAL OPTIONS

|  |   |   |  |
|--|---|---|--|
| 0100009....71, 75, 79, 83,<br>87, 391  | 0271085 ..... 25                                  | 0630535 ..... 469   | 0641605....200, 206, 212,<br>347   |
| 0100011....11, 13, 15, 17,<br>19, 33, 35, 37, 39, 43,<br>55, 59, 61, 63, 67, 69,<br>71, 75, 79, 83, 87, 93,<br>95, 116, 120, 121, 124,<br>125, 128, 132, 133,<br>136, 137, 140, 141,<br>143, 145, 157, 159,<br>163, 165, 167, 170,<br>174, 181, 185, 189,<br>193, 195, 197, 200,<br>206, 212, 221, 228,<br>231, 234, 239, 241,<br>243, 271, 273, 283,<br>285, 287, 291, 295,<br>299, 303, 307, 311,<br>315, 319, 323, 327,<br>333, 337, 341, 345,<br>347, 349, 353, 359,<br>361, 363, 365, 367,<br>377, 379, 381, 383,<br>409, 411, 418, 423,<br>425, 429, 435, 437,<br>439, 441 | 0271086 ..... 25                                  | 0630539 ..... 347   | 0641606....39, 43, 67, 69,<br>117, 170, 174, 181,<br>185, 189, 337, 347,<br>353, 418, 423, 425, 429  |
| 010001947, 53, 147, 149,<br>151, 287, 295, 299,<br>303, 307, 311, 315,<br>319, 323, 327  | 0271090 ..... 27                                  | 0630548 ... 71, 75, 79, 83,<br>87   | 0641607....15, 17, 61, 63,<br>228, 287, 337, 547,<br>549, 551, 553, 555, 557   |
| 0100020.....31, 149, 151,<br>154, 157, 159, 163,<br>181, 185, 189, 200,<br>201, 206, 207, 212,<br>214, 228, 234, 265,<br>300, 316, 395, 415,<br>418, 501, 503, 505,<br>507, 509, 511, 513,<br>515, 517, 519, 521,<br>523, 525, 527, 529, 531   | 0271091 ..... 27                                  | 0630568 ..... 392   | 0641608....103, 105, 107,<br>109, 111, 113, 116,<br>117, 120, 124, 128,<br>132, 136, 140, 143,<br>145, 151, 157, 159,<br>163, 181, 185, 189,<br>200, 206, 212, 267,<br>337, 347, 443 |
| 0100035.....223, 391, 403  | 0271473 ..... 702                                 | 0641403 ..... 311, 337  | 0641609....116, 121, 125,<br>128, 132, 137, 140,<br>170, 174, 200, 206,<br>212, 271, 273, 279  |
| 0100048....71, 75, 79, 83,<br>87, 93, 95, 228, 291,<br>303, 307, 319, 323, 391   | 0271552 ..... 703                                 | 0641404 ... 71, 75, 79, 83,<br>87, 283, 295, 299, 303,<br>307, 315, 319, 323, 411   | 0641610.....99, 101, 116,<br>153, 157, 159, 163,<br>170, 174, 181, 185,<br>189, 212, 221, 223,<br>228, 265, 283, 285,<br>337, 389  |
| 0100062....170, 174, 200,<br>206, 212, 236, 311, 316   | 0272057 ..... 703                                 | 0641405 ..... 93, 295, 299,<br>303, 307, 311, 315,<br>319, 323, 327, 411, 443   | 0641611.....59, 120, 125,<br>128, 132, 137, 140  |
| 0100079.....307, 323   | 0272058 ..... 703                                 | 0641406 ..... 95, 103, 105,<br>107, 109, 111, 116,<br>120, 124, 128, 132,<br>136, 140, 149, 151,<br>153, 181, 185, 189,<br>193, 195, 197, 200,<br>206, 212, 228, 275,<br>277, 296, 303, 389,<br>391, 413, 537, 539,<br>650, 654, 658, 662,<br>666, 670, 674, 678, 682 | 0641612.....200, 206, 212  |
| 0100081....120, 124, 128,<br>132, 136, 140, 347  | 0272081 ... 117, 121, 125,<br>137                 | 0641407 ... 71, 75, 79, 83,<br>87, 165, 167, 170, 174,<br>231, 275  | 0641613.....43, 267, 337   |
| 0140011.....391  | 0272254 ..... 425                                 | 0641408 ... 121, 125, 128,<br>132, 137, 140, 229,<br>389, 547, 549, 551,<br>553, 555, 557   | 064161461, 63, 117, 296,<br>304, 537, 539  |
| 0140044.....93   | 0272259 ..... 493                                 | 0641409 ... 157, 160, 163   | 0641615.....333  |
| 0181949.....31   | 0272260 ..... 495                                 | 0641410 ..... 39, 157, 159,<br>163, 170, 174, 547, 549  | 0641616....116, 120, 124,<br>128, 132, 136, 140,<br>153, 295, 300, 337   |
| 0200048....435, 437, 439,<br>441   | 0272427 ..... 439                                 | 0641411 ... 181, 185, 189,<br>228, 547, 549, 551,<br>553, 555, 557  | 0641617.....31   |
| 0200742.....283, 285   | 0272435 ... 316, 324, 328                         | 0641412 ... 181, 185, 189,<br>228, 547, 549, 551,<br>553, 555, 557  | 0641618....303, 307, 312,<br>316, 319, 323   |
| 0250528.....33, 35   | 0272448 ..... 695                                 | 0641413 ... 391, 409, 435,<br>437, 439, 441   | 0641620.....347  |
| 0256202.....497  | 0272521 ..... 423                                 | 0641414 ... 501, 503, 505,<br>507, 509, 511, 513,<br>515, 517, 519, 521,<br>523, 525, 527, 529, 531   | 0641626.....337  |
| 0257195.....685  | 0272588 ..... 693                                 | 0641415 ... 501, 503, 505,<br>507, 509, 511, 513,<br>515, 517, 519, 521,<br>523, 525, 527, 529, 531   | 0641634.....337  |
| 0257728.....431  | 0272589 ..... 312, 320                            | 0641416 ... 501, 503, 505,<br>507, 509, 511, 513,<br>515, 517, 519, 521,<br>523, 525, 527, 529, 531   | 0641640.....337  |
| 0258608.....405  | 0272599 ..... 689                                 | 0641417 ... 391, 409, 435,<br>437, 439, 441   | 0641644.....347  |
| 0258728.....279  | 0272607 ..... 691                                 | 0641418 ..... 43, 359, 361,<br>365, 367, 377, 379,<br>381, 383  | 0641708....200, 206, 212   |
| 0259147.....57   | 0272725 ..... 704                                 | 0641419 ..... 121, 125, 128,<br>132, 137, 140, 229,<br>389, 547, 549, 551,<br>553, 555, 557   | 0641772....283, 285, 287,<br>291   |
| 0270528.....37   | 0272733 ..... 704                                 | 0641504 ..... 333   | 0641806.....214  |
| 0270886.....25   | 0273145 ..... 704                                 | 0641506 ... 71, 75, 79, 87,<br>153  | 064180861, 63, 157, 159,<br>163, 193, 195, 197,<br>228, 231, 295, 299,<br>303, 307, 311, 315,<br>319, 323  |
| 0270888.....27   | 0273146 ..... 704                                 | 0641507 ..... 83, 349   | 0641810.15, 17, 149, 151   |
| 0271002.....53   | 0273147 ..... 704                                 | 064150833, 35, 116, 283,<br>285, 287, 291, 353  | 0641812.....59, 165, 167,<br>193, 195, 197, 231,<br>287, 333   |
|  | 0273149 ..... 704                                 | 0641510 ..... 170, 174  | 0641816.....61, 63   |
|  | 0273353 ..... 418                                 | 0641511 ... 547, 549, 551,<br>553, 555, 557   | 0641818....273, 279, 281   |
|  | 0273483 ..... 703                                 | 0641512 ..... 170, 174  | 0641820.....59, 170, 174,<br>271   |
|  | 0273596 ..... 149                                 | 0641514 ..... 431, 433  | 0642010.....37, 157, 159,<br>163, 181, 185, 189, 228   |
|  | 0273687 ..... 149, 151                            | 0641516 ... 299, 307, 311,<br>315, 319, 323, 327  | 0642014.....333  |
|  | 0273706 ..... 441                                 | 0641518 ..... 200, 206, 212   |  |
|  | 0273824 ..... 435                                 | 0641560 ..... 19  |  |
|  | 0274661 ..... 433                                 | 0641604 ... 333, 353, 547,<br>549, 551, 553, 555, 557   |  |
|  | 0275216 ..... 501, 621                            |   |  |
|  | 0275217 ..... 507, 625                            |   |  |
|  | 0275452 ..... 513, 629                            |   |  |
|  | 0275453 ..... 519, 631                            |   |  |
|  | 0275454 ..... 525, 633                            |   |  |
|  | 0362770 ..... 116                                 |   |  |
|  | 0362910 ..... 37                                  |   |  |
|  | 0400075 ..... 67, 69                              |   |  |
|  | 0440162 ..... 341                                 |   |  |
|  | 0440237 ..... 341                                 |   |  |
|  | 0440244 ..... 53                                  |   |  |
|  | 0480100 ..... 431, 433                            |   |  |
|  | 0480121 ..... 283, 285                            |   |  |
|  | 0480126 ..... 295, 311                            |   |  |
|  | 0480129 ..... 299, 315                            |   |  |
|  | 0561185 ..... 337                                 |   |  |
|  | 0561380 ..... 333                                 |   |  |
|  | 0561445 ..... 337                                 |   |  |
|  | 0561446 ..... 337                                 |   |  |
|  | 0561447 ..... 337                                 |   |  |
|  | 0561449 ..... 337                                 |   |  |
|  | 0561484 ... 547, 551, 553,<br>557                 |   |  |
|  | 0630407 ... 200, 206, 212                         |   |  |
|  | 0630462 ... 435, 437, 439,<br>441                 |   |  |
|  | 0630467 ..... 349                                 |   |  |
|  | 0630485 ... 121, 125, 128,<br>132, 137, 140       |   |  |
|  | 0630518 ..... 91, 403, 415,<br>418, 423, 425, 429 |   |  |
|  | 0630534 ..... 459, 461                            |   |  |

## SECTION 11 - SPECIAL OPTIONS

|                             |                            |                             |                            |
|-----------------------------|----------------------------|-----------------------------|----------------------------|
| 0642212 ..... 11, 13, 333   | 0760807 ..... 239          | 0940088..... 116, 121, 125, | 1001100321 ..... 283       |
| 0642618 ..... 333           | 0760810 ... 200, 206, 212, | 128, 132, 137, 140          | 1001100326 ..... 503       |
| 0681608 11, 13, 157, 159,   | 228, 234, 345              | 0940092.... 435, 437, 439,  | 1001100327 ..... 509       |
| 163, 181, 185, 189, 345     | 0760812 ..... 234, 543     | 441                         | 1001100331 ..... 515       |
| 0681620 ... 445, 447, 449,  | 0760814 ..... 234          | 0940094.... 435, 437, 439,  | 1001100333 ..... 521       |
| 451                         | 0760815 ..... 234          | 441                         | 1001100337 ..... 527       |
| 0681814 ..... 385, 387      | 0760817 ..... 239, 241     | 0940103..... 439            | 1001100341 ..... 503, 621, |
| 0681820 .... 200, 206, 212  | 0761008 ... 182, 186, 189, | 0940133..... 441            | 623                        |
| 0681822 ..... 19, 202, 208, | 228                        | 0940134..... 435            | 1001100342 ..... 509, 625, |
| 212, 385, 387               | 0761012 ..... 341          | 0940177..... 437            | 627                        |
| 0682016 ..... 19, 147       | 0761014 ... 234, 281, 345  | 0961845.... 359, 361, 363,  | 1001100345 ..... 515, 629  |
| 0682023 ..... 53            | 0761015 ... 202, 208, 212, | 365, 367, 377, 379,         | 1001100346 ..... 527, 633  |
| 0682032 ..... 53            | 234, 341                   | 381, 383                    | 1001100347 ..... 521, 631  |
| 0682216 ..... 47            | 0761016 ..... 234, 291     | 0961893..... 459, 461       | 1001100825 ..... 231, 261  |
| 0682236 ..... 11, 13        | 0761018 ..... 327          | 0961897..... 469            | 1001101191 ..... 501, 503, |
| 0682424 ... 445, 447, 449,  | 0761208 ..... 212          | 0961947..... 341, 343       | 505, 507, 509, 511,        |
| 451                         | 0761210 .... 200, 206, 212 | 0961951..... 337            | 513, 515, 517, 519,        |
| 0700408 ... 501, 503, 505,  | 0761212 ..... 333          | 0961986.... 170, 174, 200,  | 521, 523, 525, 527,        |
| 507, 509, 511, 513,         | 0761216 ..... 345          | 206, 212, 234               | 529, 531, 567, 569, 571    |
| 515, 517, 519, 521,         | 0771014 ..... 234          | 0962033..... 465            | 1001101196 ..... 501, 503, |
| 523, 525, 527, 529, 531     | 0771212 ... 181, 185, 189, | 0962051..... 279, 281       | 505, 507, 509, 511         |
| 0700615 ..... 99, 101       | 200, 206                   | 0962102..... 11, 13         | 1001101197 ..... 513, 515, |
| 0700617 ... 121, 125, 133,  | 0771414 ... 170, 174, 200, | 0962122..... 333            | 517, 519, 521, 523,        |
| 137, 141, 145               | 206, 212                   | 0962152..... 17, 467        | 525, 527, 529, 531         |
| 0700618 ... 121, 125, 133,  | 0771415 ... 202, 208, 212, | 0962155..... 341            | 1001101600 ..... 157, 159, |
| 137, 141, 143               | 295, 300, 312, 316         | 0962181..... 17             | 163                        |
| 0700808 ..... 170, 174      | 0780610 ..... 333          | 0962270..... 385, 387       | 1001101623 ..... 117       |
| 0700810 ..... 234           | 0791404 ..... 355          | 0962297..... 333, 337       | 1001101673 ..... 117       |
| 0700812 ..... 234           | 0811606 ..... 337          | 0962336.... 459, 461, 463   | 1001102290 ..... 573, 575  |
| 0700814 ... 202, 208, 212,  | 0811607 ..... 337          | 0962348..... 17             | 1001102291 ..... 573, 575  |
| 234                         | 0811608 ..... 337          | 0962449..... 283            | 1001102304 ..... 573, 575  |
| 0700816 ..... 239, 241      | 0811610 ... 121, 125, 128, | 0962520.... 295, 300, 303,  | 1001102858 ..... 353, 443  |
| 0700818 ..... 239, 241      | 132, 137, 140              | 307, 312, 316, 319,         | 1001103308 ... 71, 79, 87  |
| 0701014 ..... 239, 241      | 0811614 ..... 337          | 323, 327                    | 1001103667 ... 71, 75, 79, |
| 0701020 ..... 341           | 0811616 ..... 337          | 1001001939..... 170, 174    | 83, 87, 698                |
| 0701026 ..... 243           | 0811812 ... 116, 120, 124, | 1001004720..... 163         | 1001103810 ..... 15, 17    |
| 0710827 ..... 239, 241      | 128, 132, 136, 140         | 1001090615..... 443         | 1001104519 ..... 643       |
| 0711014 ..... 236           | 0860038 ... 299, 307, 315, | 1001091460..... 21          | 1001106736 ... 71, 75, 79, |
| 0711020 ..... 234           | 323, 327, 493, 495         | 1001091461..... 21          | 83, 87                     |
| 0711215 ..... 212           | 0860520 ... 650, 654, 658, | 1001091472..... 549, 555    | 1001106957 ..... 480       |
| 0711216 ..... 239, 241      | 662, 666, 670, 674,        | 1001091713..... 702         | 1001106974 ..... 59        |
| 0711223 ..... 236           | 678, 682                   | 1001091969..... 501         | 1001107531 ..... 59        |
| 0711414 ..... 271, 273      | 0861538 .... 316, 323, 327 | 1001091970..... 507         | 1001108256 ..... 437       |
| 0720804 ..... 31            | 0861572 ..... 312, 319     | 1001091973..... 513         | 1001108617 ..... 43        |
| 0721003 ..... 391           | 0861642 ..... 149, 151     | 1001091974..... 519         | 1001109029 ..... 650, 658, |
| 0721004 ..... 37            | 0861731 ... 517, 523, 529, | 1001091975..... 525         | 666, 670, 674, 678, 682    |
| 0721005 ... 435, 437, 439,  | 531, 629, 631, 633         | 1001093382..... 67, 69      | 1001109257 ..... 703       |
| 441                         | 0861781 ... 505, 511, 621, | 1001093389..... 703         | 1001109503 ..... 75        |
| 0721006 ... 116, 221, 223,  | 623, 625, 627              | 1001094475..... 703         | 1001109648 ..... 539, 571  |
| 283, 285, 287, 391          | 0861880 .... 567, 569, 571 | 1001094595..... 165, 167,   | 1001109654 ..... 537, 567  |
| 0721008 ..... 117           | 0902219 ..... 116          | 193, 195, 197, 231, 253     | 1001110166 ..... 120, 124, |
| 0731005 ..... 61, 63        | 0902223 ..... 116          | 1001094899..... 47          | 128, 132, 136, 140         |
| 0741605 .... 200, 206, 212  | 0902412 ..... 116          | 1001095307..... 476, 480    | 1001110425 43, 157, 160,   |
| 0741606 ..... 353           | 0902491 ..... 116          | 1001095308..... 476, 480    | 163, 181, 185, 189         |
| 0741607 .... 37, 295, 300,  | 0902673 ... 116, 120, 124, | 1001097051..... 637         | 1001110544 ..... 355       |
| 303, 307, 319, 323, 327     | 128, 132, 136, 140         | 1001097150..... 567, 571    | 1001110872 ..... 533, 535  |
| 0741609 ..... 17            | 0902674 ..... 116          | 1001098012..... 415, 418,   | 1001110873 ..... 299, 308, |
| 0741612 ..... 337           | 0902769 ..... 116          | 421                         | 315, 323, 328, 493         |
| 0760514 ..... 163           | 0902888 ... 299, 307, 311, | 1001098122..... 395, 619    | 1001110926 ..... 443, 705  |
| 0760605 ... 200, 206, 212,  | 315, 319, 323, 327         | 1001098149..... 415         | 1001110935 ..... 443       |
| 239                         | 0903242 ..... 59           | 1001098167..... 455         | 1001110974 ..... 704       |
| 0760606 ..... 328           | 0940049 ... 120, 124, 128, | 1001098828..... 345         | 1001111968 ..... 484, 488  |
| 0760608 ..... 234           | 132, 136, 140              | 1001099121..... 117         | 1001112551 ..... 654       |
| 0760610 ... 234, 239, 241,  | 0940070 ... 170, 174, 200, | 1001099138..... 117         | 1001112588 ..... 285       |
| 291, 327                    | 206, 212, 236              | 1001099869..... 283         | 1001112589 ..... 283, 285  |
| 0760612 ..... 234           | 0940071 ..... 116          | 1001100121..... 704         | 1001112612 ..... 545, 613  |
| 0760615 ..... 239, 241      |                            | 1001100234..... 283         | 1001112796 ..... 545       |

## SECTION 11 - SPECIAL OPTIONS

|   |   |  |  |
|---|---|--|--|
| 1001113047.....120, 124,<br>128, 132, 136, 140      | 1001118384..... 641                                   | 1001137276 ..... 201, 207,<br>213                                  | 1001141419.....201, 207,<br>213                |
| 1001113643.....443                                  | 1001118388..... 641                                   | 1001137440 ..... 705   | 1001141585.....201, 207,<br>213, 235           |
| 1001113691.....443                                  | 1001118666..... 338                                   | 1001137459 ..... 67, 69  | 1001141586.....201, 207,<br>213                |
| 1001113741.....443                                  | 1001119020 ..... 545, 613,<br>619                     | 1001137672 ..... 705   | 1001141870.....221, 223                        |
| 1001113743.....443                                  | 1001119619 ..... 635                                  | 1001137673 ..... 409, 699  | 1001141995.....201, 207,<br>214, 235           |
| 1001113774.....443                                  | 1001119620 ..... 637, 639                             | 1001138110 ..... 579   | 1001142031.....275, 277                        |
| 1001113856.....443                                  | 1001119939 ..... 702                                  | 1001138111 ..... 579   | 1001142032.....275, 277                        |
| 1001113857.....443                                  | 1001119947 ..... 702                                  | 1001138113 ..... 579   | 1001142501.....181, 185,<br>189, 221, 223      |
| 1001113961.....613                                  | 1001119968 ..... 320, 325,<br>603                     | 1001138173 ..... 201, 207,<br>213, 235                             | 1001142504.....704                             |
| 1001114052.....703                                  | 1001120328 ..... 409, 411                             | 1001138175 ..... 201, 207,<br>213, 235                             | 1001142505.....704                             |
| 1001115388.....315                                  | 1001120989 ..... 685                                  | 1001138228 ..... 201, 207,<br>213, 698                             | 1001142623.....201, 207,<br>214                |
| 1001115394.....311                                  | 1001120993 ..... 685                                  | 1001138248 ..... 201, 207,<br>213, 235                             | 1001142643.....303, 308,<br>320, 324           |
| 1001115405.....285                                  | 1001121669 ..... 553, 555                             | 1001138489 ..... 201, 208,<br>213                                  | 1001142645.....303, 319                        |
| 1001115409.....283                                  | 1001121671 ..... 553, 555                             | 1001138491 ..... 181, 185,<br>189, 589                             | 1001142646.....308, 324                        |
| 1001115918.....702                                  | 1001125387 ..... 685                                  | 1001138494 ..... 361, 363,<br>365, 367, 377, 379,<br>381, 383      | 1001142683.99, 101, 698                        |
| 1001116163.....703                                  | 1001125492 ..... 47                                   | 1001138514 ..... 361, 363,<br>365, 367, 379, 383                   | 1001142722.....99, 101                         |
| 1001116208.....685                                  | 1001125501 ..... 124, 129,<br>136                     | 1001138557 ..... 201, 207,<br>213                                  | 1001142736.99, 101, 545                        |
| 1001116280.....120, 124,<br>128, 132, 136, 140      | 1001125502 ..... 125, 129,<br>137                     | 1001138565 ..... 295   | 1001142938.....579, 583                        |
| 1001116290.....121, 125,<br>133, 137, 141, 143, 145 | 1001126009 ..... 641                                  | 1001138566 ..... 295, 300,<br>303, 307                             | 1001142940.....579, 583                        |
| 1001116322.....120, 124,<br>128, 132, 136, 140      | 1001126351 ..... 579, 584                             | 1001138671 ..... 333   | 1001142941.....580, 583                        |
| 1001116344.....120, 132,<br>140                     | 1001126352 ..... 579                                  | 1001138772 ..... 704   | 1001143390.....171, 175,<br>201, 207, 214      |
| 1001116358.....120, 124,<br>128, 132, 136, 140      | 1001126356 ..... 579                                  | 1001138773 ..... 704   | 1001143449.....275, 277                        |
| 1001116456.....103, 105                             | 1001126357 ..... 579                                  | 1001138795 ..... 459, 461  | 1001143483.....277                             |
| 1001116457 .....113                                 | 1001126362 ..... 580, 583                             | 1001138827 ..... 201, 207,<br>214                                  | 1001143484.....275                             |
| 1001116558.....121, 133,<br>141                     | 1001126363 ..... 580, 583                             | 1001139099 ..... 703   | 1001143525.....275, 277                        |
| 1001116620.....121, 125,<br>129, 133, 137, 141      | 1001126364 ..... 583                                  | 1001139240 ..... 201, 207,<br>213                                  | 1001143726.....202, 207,<br>579                |
| 1001116693.....573, 575,<br>577, 587, 645           | 1001126365 ..... 580                                  | 1001139357 ..... 295, 300  | 1001143736.....181, 185,<br>189                |
| 1001116710.....589                                  | 1001126384 ..... 579                                  | 1001139409 ..... 201, 207,<br>213                                  | 1001143852.....685                             |
| 1001116727.....579, 593,<br>595                     | 1001126391 ..... 580, 583                             | 1001139654 ..... 685   | 1001143860.....275                             |
| 1001116728.....579                                  | 1001126392 ..... 583                                  | 1001140312 ..... 208   | 1001143907.....202, 208,<br>214                |
| 1001116733.....593                                  | 1001126485 ..... 583                                  | 1001140315 ..... 704   | 1001144433.....409                             |
| 1001116734.....593                                  | 1001126487 ..... 583                                  | 1001140318 ..... 704   | 1001144447.....151                             |
| 1001116774.....545                                  | 1001126828 ..... 117, 120,<br>124, 129, 133, 136, 140 | 1001140346 ..... 307   | 1001144527.....111                             |
| 1001116808.....545                                  | 1001128153 ..... 703                                  | 1001140347 ..... 303   | 1001144629.....369, 371,<br>373, 375, 377, 381 |
| 1001116812.....583, 613                             | 1001128527 ..... 429                                  | 1001140429 ..... 359, 361,<br>363, 365, 367, 377,<br>379, 381, 383 | 1001145154.....202, 208,<br>214                |
| 1001116815.....613                                  | 1001128556 ..... 429                                  | 1001140448 ..... 201, 207,<br>213                                  | 1001145405.....415, 418                        |
| 1001116846.....666, 685                             | 1001128901 ..... 235                                  | 1001140450 ..... 201, 207,<br>213                                  | 1001146273.....170, 174                        |
| 1001116849.....666                                  | 1001129555 ..... 698                                  | 1001140454 ..... 201, 207,<br>213                                  | 1001146588.....190, 213                        |
| 1001116851.....666                                  | 1001129858 ..... 299                                  | 1001140564 ..... 201, 207,<br>214                                  | 1001147264.....579                             |
| 1001116952.....579, 584                             | 1001131269 ..... 650, 670                             | 1001141138 ..... 392, 699  | 1001147479.....334, 699                        |
| 1001116983.....589                                  | 1001131731 ..... 347                                  | 1001141300 ..... 685   | 1001147812.....170, 174                        |
| 1001117027.....120, 124,<br>128, 132, 136, 140      | 1001131802 ..... 443                                  | 1001141302 ..... 686   | 1001147813.....170, 174                        |
| 1001117078.....603                                  | 1001133714 ..... 580, 583,<br>591                     | 1001141304 ..... 201, 207,<br>213                                  | 1001147820.....170, 174                        |
| 1001117106.....579, 584                             | 1001133956 ..... 579, 584                             | 1001141370 ..... 201, 207,<br>213                                  | 1001147823.....170, 174,<br>177                |
| 1001117107.....579, 584                             | 1001133957 ..... 579, 584                             |  | 1001148138.....287                             |
| 1001117172.....395, 699                             | 1001134289 ..... 341, 343                             |  | 1001148563.....323                             |
| 1001117174.....391, 395                             | 1001134488 ..... 201, 207,<br>214, 235                |  | 1001148564.....319                             |
| 1001117249.....120, 124,<br>128, 132, 136           | 1001135138 ..... 201, 207,<br>213                     |  | 1001148565.....151                             |
| 1001117294.....703                                  | 1001135650 ..... 580, 583,<br>591                     |  | 1001148607.....61, 63                          |
| 1001117307.....120, 124,<br>128, 132, 136, 140      | 1001135651 ..... 580, 583                             |  | 1001148650.....338                             |
| 1001117308.....201, 207,<br>213, 698                | 1001135679 ..... 201, 207                             |  | 1001148651.....338                             |
| 1001117372.....455                                  | 1001136104 ..... 327                                  |  |  |
| 1001117805.....333                                  | 1001136400 ..... 347                                  |  |  |
|   | 1001136834 ..... 201, 207,<br>213                     |  |  |
|   | 1001137005 ..... 705                                  |  |  |



## SECTION 11 - SPECIAL OPTIONS

|                             |                             |                           |                            |
|-----------------------------|-----------------------------|---------------------------|----------------------------|
| 1001148652 ..... 338        | 1001154324..... 71, 573     | 1001157837..... 333       | 1001168024 ... 72, 75, 80, |
| 1001148653 ..... 338        | 1001154405..... 181, 186,   | 1001157851..... 484, 488  | 83, 88, 645                |
| 1001148675 ..... 533, 535   | 189, 221, 223, 267          | 1001157866..... 476, 480  | 1001168402 ..... 345       |
| 1001148841 ..... 591        | 1001154584..... 11          | 1001157870..... 147       | 1001169054 ..... 202, 208, |
| 1001148842 ..... 591        | 1001154687..... 455         | 1001158007..... 312, 316, | 214, 235                   |
| 1001148902 ..... 703        | 1001154875..... 13          | 320, 324, 328             | 1001169138 ..... 202, 208, |
| 1001148903 ..... 703        | 1001154931..... 17          | 1001158008..... 312, 316, | 214, 235                   |
| 1001148904 ..... 703        | 1001155035..... 17          | 320, 324, 328             | 1001169234 ... 72, 76, 80, |
| 1001148905 ..... 703        | 1001155041..... 291         | 1001158084..... 147       | 84, 88                     |
| 1001148906 ..... 703        | 1001155043..... 72, 75, 79, | 1001158145..... 257       | 1001169754 ..... 29        |
| 1001149160 ..... 239        | 83, 87                      | 1001158187..... 39        | 1001169755 ..... 29        |
| 1001149639 ..... 235        | 1001155044..... 72, 75, 79, | 1001158188..... 39        | 1001169756 ..... 29        |
| 1001149703 ..... 271        | 83, 87, 392                 | 1001158203..... 39        | 1001169757 ..... 29        |
| 1001149704 ..... 170, 174   | 1001155045..... 72, 75, 80, | 1001158251..... 704       | 1001169967 ..... 235       |
| 1001149705 ..... 170, 174   | 83, 88, 392, 698            | 1001158259..... 702       | 1001170035 ..... 235       |
| 1001149706 ..... 170, 174   | 1001155143..... 157, 159    | 1001158363..... 299, 308  | 1001170764 ..... 583       |
| 1001149730 ..... 704        | 1001155192..... 17          | 1001158364..... 93        | 1001170847 ..... 353, 699  |
| 1001149793 ..... 171, 175   | 1001155194..... 13          | 1001158436..... 33        | 1001171127 ..... 307       |
| 1001149994 .. 97, 99, 101   | 1001155823..... 181, 186,   | 1001159118..... 533, 535  | 1001171131 ..... 533       |
| 1001150260 ..... 116, 120,  | 189                         | 1001159119..... 533, 535  | 1001171269 ..... 303       |
| 124, 129, 133, 136, 140     | 1001156107..... 214         | 1001159120..... 533, 535  | 1001171482 ..... 84        |
| 1001150372 ..... 15, 17     | 1001156170..... 157         | 1001159121..... 535       | 1001172045 ..... 702       |
| 1001150406 ..... 97         | 1001156425..... 551         | 1001159186..... 613       | 1001172760 ..... 392       |
| 1001150539 .. 15, 17, 467   | 1001156427..... 551         | 1001159256..... 392, 698  | 1001173535 ..... 236       |
| 1001150561 ..... 103, 105   | 1001156439..... 347         | 1001159323..... 662, 685  | 1001173580 ..... 120, 124, |
| 1001150890 ..... 273        | 1001156710..... 11, 13      | 1001159340..... 488       | 129, 133, 136, 141         |
| 1001150915 ..... 171, 175   | 1001156805..... 61, 63      | 1001160077..... 97        | 1001173869 ..... 111       |
| 1001150918 ..... 159, 185   | 1001156823..... 228         | 1001160559..... 61        | 1001173870 ..... 111, 136  |
| 1001150937 ..... 15, 17     | 1001157016..... 19          | 1001160567..... 63        | 1001174040 ..... 345       |
| 1001150998 ..... 171, 175   | 1001157021..... 117         | 1001160780..... 33, 35    | 1001174101 ..... 137       |
| 1001151010 ..... 31         | 1001157025..... 120, 124,   | 1001161076..... 55        | 1001174282 ..... 125       |
| 1001151034 ..... 15         | 129, 133, 136, 141          | 1001161355..... 15, 17    | 1001174283 ..... 121, 141  |
| 1001151070 ..... 157, 159,  | 1001157056..... 61, 63      | 1001161399..... 15, 17    | 1001174486 ..... 228       |
| 163                         | 1001157058..... 55          | 1001161709..... 392, 698  | 1001174745 ..... 275, 277  |
| 1001151252 ..... 273        | 1001157208..... 121, 125,   | 1001161711..... 116, 120, | 1001174746 ..... 277       |
| 1001151253 ..... 271        | 141                         | 124, 129, 133, 136, 141   | 1001175354 ..... 650, 654, |
| 1001151856 ..... 580        | 1001157209..... 121, 125,   | 1001162335..... 181, 186, | 658, 662, 666, 670,        |
| 1001151980 ..... 15         | 133, 137, 141               | 221                       | 674, 678, 682              |
| 1001152174 ..... 71, 79, 87 | 1001157284..... 121, 125,   | 1001162497..... 157, 160, | 1001176027 ..... 193, 200  |
| 1001152429 ..... 312, 317,  | 129, 133, 137, 141          | 163, 181, 186, 190, 228   | 1001176035 ..... 195, 206  |
| 601                         | 1001157344..... 120, 124,   | 1001162546..... 705       | 1001176329 ..... 235       |
| 1001152457 ..... 299, 308   | 129, 133, 136, 141          | 1001162915..... 137       | 1001176419 ..... 202, 208, |
| 1001152459 ..... 171, 175   | 1001157400..... 473         | 1001163101..... 107, 109, | 214                        |
| 1001152489 ..... 202, 208,  | 1001157415..... 116         | 111                       | 1001176469 ..... 76, 84    |
| 214                         | 1001157416..... 103, 120    | 1001163599..... 287, 304, | 1001176862 ..... 533       |
| 1001152525 ..... 312, 316,  | 1001157474..... 117, 120,   | 307, 319, 323             | 1001177226 ..... 484, 488  |
| 320, 324, 328               | 124, 129, 133, 136, 141     | 1001164786..... 703       | 1001177359 ..... 202, 208, |
| 1001152530 ..... 299, 308   | 1001157475..... 117, 120,   | 1001165035..... 181, 186, | 214                        |
| 1001152532 ..... 295, 300,  | 124, 129, 133, 136, 141     | 190, 236                  | 1001177694 ..... 703       |
| 303, 308, 597               | 1001157520..... 312, 316,   | 1001165368..... 295, 303, | 1001177711 ..... 537       |
| 1001152719 ..... 11         | 320, 324, 328               | 569                       | 1001177712 ..... 539       |
| 1001152965 ..... 704        | 1001157521..... 312, 316,   | 1001165657..... 15, 17    | 1001177844 ..... 202, 208, |
| 1001153197 ..... 296, 595   | 320, 324, 328               | 1001165776... 80, 83, 577 | 214                        |
| 1001153259 ..... 304, 599   | 1001157525..... 311, 312,   | 1001165842..... 202, 208, | 1001177845 ..... 202, 208, |
| 1001153260 ..... 299, 308   | 319, 320                    | 214                       | 214                        |
| 1001153282 ..... 171, 175,  | 1001157528..... 312, 316,   | 1001166538..... 392, 401  | 1001177910 ..... 296, 304, |
| 202, 208, 213, 249          | 320, 324, 328               | 1001166539..... 392, 397  | 537, 539                   |
| 1001153309 ..... 299        | 1001157592..... 315, 316,   | 1001167042..... 202, 208, | 1001178057 ... 61, 63, 65  |
| 1001153310 ..... 295        | 324, 328                    | 214                       | 1001178207 ..... 702       |
| 1001153396 ..... 165, 170   | 1001157612..... 120, 124,   | 1001167194..... 484, 489  | 1001178208 ..... 702       |
| 1001153414 ..... 171, 175   | 129, 133, 136, 141          | 1001167196..... 484, 489  | 1001178209 ..... 63        |
| 1001153779 ..... 167, 174   | 1001157736..... 117         | 1001167565..... 345       | 1001178210 ..... 61        |
| 1001154126 ..... 455        | 1001157752..... 103         | 1001167567..... 345       | 1001178212 ..... 159       |
| 1001154231 ..... 704        | 1001157753..... 105, 124    | 1001167596..... 345       | 1001178219 ..... 476       |
| 1001154236 ..... 157, 163,  | 1001157755..... 105         | 1001167632..... 583       | 1001178220 ..... 480       |
| 165                         | 1001157769..... 312, 317    | 1001167635..... 583       | 1001178223 ..... 202, 208, |
| 1001154237 ..... 159, 167   | 1001157770..... 320, 325    | 1001168018..... 235       | 214                        |

## SECTION 11 - SPECIAL OPTIONS

|  |   |  |                         |
|--|---|--|-------------------------|
| 1001178797.....267                             | 1001188884.....265  | 1001204325.....202, 208,<br>214                                  | 1001216075.....235      |
| 1001178876.....202, 208                        | 1001188887.....265  | 1001204560..11, 13, 455  | 1001216092.....235      |
| 1001179154.....316, 324,<br>328                | 1001188972.....159, 186   | 1001204667.....265   | 1001216144.....239, 241 |
| 1001179837.....287                             | 1001189001.....345  | 1001204715.....353   | 1001216201.....235      |
| 1001180001.....287                             | 1001189002.....345  | 1001204725.....345   | 1001216212.....587      |
| 1001180052.....288                             | 1001189979.....236  | 1001205958.....513, 515,<br>517, 519, 521, 523,<br>525, 527, 529 | 1001216213.....587      |
| 1001180287.....287                             | 1001190610.....202, 208,<br>214   | 1001206250.....517   | 1001216221.....257      |
| 1001180620.....202, 208,<br>214, 235, 355      | 1001190889.....705  | 1001206251.....523   | 1001216300.....243      |
| 1001181045.....567, 569,<br>699                | 1001190985.....345  | 1001206252.....529   | 1001216327.....88, 587  |
| 1001181046.....571, 699                        | 1001191022.....355, 699   | 1001206253.....505   | 1001216390.....328      |
| 1001181145.....686                             | 1001191394.....703  | 1001206254.....511   | 1001216391.....292      |
| 1001181235.....338                             | 1001191395.....703  | 1001206255.....531   | 1001216531.....236      |
| 1001181236.....338                             | 1001191598.....613  | 1001206311.....705   | 1001216532.....231      |
| 1001181243.....288                             | 1001191610.....235  | 1001206476.....543   | 1001216534.....231      |
| 1001181694.....469                             | 1001191620.....190, 214   | 1001207004.....101   | 1001216535.....231      |
| 1001181894.....484, 488                        | 1001192027.....333  | 1001207558.....116   | 1001216568.....228      |
| 1001181895.....208                             | 1001193018.....501, 503,<br>505, 507, 509, 511,<br>513, 515, 517, 519,<br>521, 523, 525, 527,<br>529, 531 | 1001207969.....349   | 1001216619.....243      |
| 1001181899.....202, 206,<br>214                | 1001195304.....704  | 1001208024.....116   | 1001216630.....345      |
| 1001182361.....584                             | 1001195537.....703  | 1001208994.....345, 349  | 1001216768.....239      |
| 1001182365.....584                             | 1001195967.....275  | 1001209059.....704   | 1001216769.....239      |
| 1001182570.....353, 699                        | 1001196221.....333  | 1001209432.....543   | 1001216910.....235, 239 |
| 1001182599.....703                             | 1001196382.....328  | 1001209474.....543   | 1001216919.....235      |
| 1001182806.....95                              | 1001196428.....265  | 1001209664.....409   | 1001216995.....235      |
| 1001184259.....703                             | 1001196634.....225  | 1001210025.....705   | 1001217005.....99       |
| 1001184618.....391                             | 1001196768.....121, 125,<br>129, 133, 137, 141  | 1001210026.....705   | 1001217032.....235      |
| 1001184626.....391                             | 1001197017.....435, 437,<br>439, 441  | 1001210048.....239, 241,<br>245                                  | 1001217046.....235      |
| 1001185281.....392                             | 1001197240.....702  | 1001210977.....703   | 1001217090.....235      |
| 1001185667.....181, 193                        | 1001197408.....686  | 1001211336.....61  | 1001217170.....231      |
| 1001185671.....186, 195                        | 1001197719.....583  | 1001211588.....353   | 1001217174.....235      |
| 1001185674.....181                             | 1001198333.....484  | 1001211794.....239, 241  | 1001217175.....235      |
| 1001185676.....185                             | 1001198336.....473  | 1001212223.....319, 323  | 1001217183.....235      |
| 1001186251.....121, 125,<br>129, 133, 137, 141 | 1001198337.....476, 480   | 1001212415.....698   | 1001217185.....235      |
| 1001186254.....121, 125,<br>129, 133, 137, 141 | 1001198338.....476, 480   | 1001212447.....619   | 1001217186.....235      |
| 1001186333.....385                             | 1001198339.....473  | 1001213584.....493, 495,<br>497, 499, 537, 539                   | 1001217191.....231, 234 |
| 1001186334.....387                             | 1001198340.....476, 480   | 1001213585.....493, 495,<br>497, 499, 537, 539                   | 1001217192.....228, 231 |
| 1001186375.....361                             | 1001198341.....477  | 1001213810.....239   | 1001217193.....228      |
| 1001186377.....363                             | 1001199396.....477, 481   | 1001213882.....392   | 1001217199.....235      |
| 1001186379.....365                             | 1001199949.....654, 662   | 1001214030.....686   | 1001217317.....235      |
| 1001186382.....367                             | 1001200072.....686  | 1001214478.....704   | 1001217350.....261      |
| 1001186383.....375                             | 1001200128.....686  | 1001214515.....704   | 1001217543.....235      |
| 1001186384.....373                             | 1001200129.....686  | 1001214540.....704   | 1001218022.....703      |
| 1001186386.....371                             | 1001200130.....686  | 1001214548.....704   | 1001218085.....231      |
| 1001186387.....369                             | 1001200131.....686  | 1001214552.....704   | 1001218087.....261      |
| 1001186426.....235                             | 1001200132.....686  | 1001214559.....704   | 1001218362.....235      |
| 1001186431.....409, 699,<br>705                | 1001200133.....686  | 1001214561.....704   | 1001218449.....235      |
| 1001186432.....641, 643                        | 1001200134.....686  | 1001214562.....704   | 1001218547.....281      |
| 1001186517.....409                             | 1001200491.....345  | 1001214570.....543   | 1001218572.....67, 69   |
| 1001186631.....704                             | 1001200494.....345  | 1001214571.....543   | 1001218622.....553, 555 |
| 1001186985.....202, 208,<br>214                | 1001200497.....613  | 1001214827.....239, 241  | 1001218623.....553, 555 |
| 1001187382.....345                             | 1001200910.....99   | 1001214984.....704   | 1001218850.....685      |
| 1001187383.....345                             | 1001201351.....345  | 1001215016.....587   | 1001218930.....328      |
| 1001187674.....407                             | 1001202280.....265  | 1001215091.....587   | 1001219219.....19, 21   |
| 1001187681.....635                             | 1001202281.....265, 699   | 1001215228.....392   | 1001219259.....235      |
| 1001187781.....234                             | 1001202368.....201, 207,<br>214   | 1001215384.....239, 241  | 1001219345.....235      |
| 1001187807.....91, 403                         | 1001202687.....345  | 1001215534.....587   | 1001219361.....235      |
| 1001188041.....76                              | 1001202749.....703  | 1001215681.....235   | 1001219363.....235      |
| 1001188622.....345                             | 1001203655.....385  | 1001215974.....235   | 1001219370.....228      |
| 1001188844.....345                             | 1001203656.....387  | 1001216015.....287   | 1001219480.....235      |
| 1001188874.....72, 80, 88                      | 1001204269.....481  | 1001216065.....239, 241  | 1001219611.....235      |
|  |   | 1001216071.....239, 241  | 1001219612.....235      |
|  |   |  | 1001219613.....235      |
|  |   |  | 1001219618.....327      |
|  |   |  | 1001219619.....291      |
|  |   |  | 1001219630.....292      |
|  |   |  | 1001219632.....292      |
|  |   |  | 1001219633.....704      |
|  |   |  | 1001219634.....228      |
|  |   |  | 1001219636.....228      |

## SECTION 11 - SPECIAL OPTIONS

|                  |                                      |                 |                       |                 |                       |                  |                                 |
|------------------|--------------------------------------|-----------------|-----------------------|-----------------|-----------------------|------------------|---------------------------------|
| 1001219637 ..... | 229                                  | 1001228243..... | 381                   | 1001237023..... | 84                    | 1001243184 ..... | 702                             |
| 1001219638 ..... | 229                                  | 1001228355..... | 705                   | 1001237035..... | 84                    | 1001243263 ...   | 71, 76, 79,<br>84, 87, 613      |
| 1001219639 ..... | 229                                  | 1001228375..... | 383                   | 1001237142..... | 333                   | 1001243366 ..... | 163                             |
| 1001219840 ..... | 702                                  | 1001228376..... | 377                   | 1001237193..... | 109                   | 1001243414 ....  | 121, 125,<br>129, 133, 137, 141 |
| 1001219881 ..... | 281                                  | 1001228377..... | 379                   | 1001237194..... | 107, 109,<br>132      | 1001243559 ..... | 75, 575                         |
| 1001219980 ..... | 43, 349                              | 1001228950..... | 702                   | 1001237205..... | 133                   | 1001243561 ..... | 499                             |
| 1001220002 ..... | 141                                  | 1001228988..... | 429, 693,<br>695      | 1001237259..... | 107                   | 1001243682 ..... | 95                              |
| 1001220067 ..... | 141                                  | 1001229107..... | 702                   | 1001237261..... | 109                   | 1001243895 ..... | 225                             |
| 1001220142 ..... | 261                                  | 1001229341..... | 407                   | 1001237286..... | 133                   | 1001243985 ..... | 143                             |
| 1001220283 ..... | 35                                   | 1001229530..... | 613                   | 1001237544..... | 403                   | 1001243986 ..... | 145                             |
| 1001220379 ..... | 579                                  | 1001229542..... | 201, 207,<br>214      | 1001237546..... | 91                    | 1001243992 ..... | 163                             |
| 1001220392 ..... | 113                                  | 1001229762..... | 702                   | 1001237667..... | 613, 619              | 1001243993 ..... | 163                             |
| 1001220393 ..... | 113, 140                             | 1001229810..... | 47, 50                | 1001237668..... | 613, 619              | 1001244181 ..... | 392, 619                        |
| 1001220404 ..... | 243                                  | 1001229935..... | 703                   | 1001237734..... | 83                    | 1001244212 ..... | 662, 685                        |
| 1001221208 ..... | 605                                  | 1001230635..... | 201, 207,<br>214      | 1001237863..... | 407, 637              | 1001244298 ..... | 666                             |
| 1001221397 ..... | 261                                  | 1001230934..... | 584                   | 1001237864..... | 407, 639              | 1001244301 ..... | 666                             |
| 1001221418 ..... | 72, 80, 88                           | 1001230935..... | 584                   | 1001237882..... | 703                   | 1001244463 ..... | 129, 143                        |
| 1001221420 ..... | 76                                   | 1001230936..... | 584                   | 1001237883..... | 703                   | 1001244465 ..... | 129, 145                        |
| 1001221464 ..... | 231                                  | 1001231235..... | 705                   | 1001237949..... | 333                   | 1001245137 ..... | 702                             |
| 1001221498 ..... | 328                                  | 1001231801..... | 685                   | 1001238168..... | 341                   | 1001245913 ..... | 214, 591                        |
| 1001221545 ..... | 239, 241                             | 1001231886..... | 95                    | 1001238263..... | 445, 447,<br>449, 451 | 1001246142 ..... | 702                             |
| 1001221615 ..... | 236                                  | 1001231949..... | 449                   | 1001238268..... | 214                   | 1001246475 ..... | 702                             |
| 1001222033 ..... | 236                                  | 1001231950..... | 447, 451              | 1001238319..... | 407                   | 1001246476 ..... | 702                             |
| 1001222314 ..... | 349                                  | 1001232010..... | 447, 449,<br>451      | 1001238328..... | 333, 341              | 1001246860 ..... | 703, 705                        |
| 1001222641 ..... | 239, 241                             | 1001232011..... | 447, 449,<br>451      | 1001238333..... | 341                   | 1001246867 ..... | 703, 705                        |
| 1001222817 ..... | 267, 269                             | 1001232164..... | 407                   | 1001238398..... | 341                   | 1001247073 ..... | 705                             |
| 1001222817 ..... | 267, 269                             | 1001232165..... | 407                   | 1001238418..... | 411, 641              | 1001247281 ..... | 95                              |
| 1001223042 ..... | 235                                  | 1001232642..... | 411                   | 1001238421..... | 345                   | 1001247358 ..... | 31                              |
| 1001223055 ..... | 650                                  | 1001232643..... | 705                   | 1001238463..... | 451                   | 1001247359 ..... | 236                             |
| 1001223453 ..... | 650, 670                             | 1001232643..... | 705                   | 1001238472..... | 411                   | 1001247466 ..... | 333, 457                        |
| 1001223459 ..... | 583                                  | 1001232650..... | 411                   | 1001238477..... | 411                   | 1001247468 ..... | 345, 699                        |
| 1001223584 ..... | 234                                  | 1001232667..... | 411, 699              | 1001238495..... | 409                   | 1001248140 ..... | 445, 447,<br>449, 451           |
| 1001223923 ..... | 235                                  | 1001232842..... | 225                   | 1001238559..... | 411                   | 1001248141 ..... | 445, 447,<br>449, 451           |
| 1001223971 ..... | 670                                  | 1001232844..... | 214                   | 1001238824..... | 411                   | 1001249052 ..... | 705                             |
| 1001224048 ..... | 678                                  | 1001232884..... | 214, 583              | 1001238878..... | 214, 583              | 1001249695 ..... | 705                             |
| 1001224049 ..... | 682                                  | 1001233047..... | 702                   | 1001238931..... | 107                   | 1001249824 ..... | 347                             |
| 1001224050 ..... | 666                                  | 1001233237..... | 702                   | 1001239202..... | 583                   | 1001249941 ..... | 705                             |
| 1001224052 ..... | 658                                  | 1001233763..... | 186, 225              | 1001239235..... | 703                   | 1001249942 ..... | 201, 207,<br>217                |
| 1001224053 ..... | 674                                  | 1001233959..... | 91, 403               | 1001239471..... | 69                    | 1001250294 ..... | 121, 125,<br>129, 133, 137, 141 |
| 1001224486 ..... | 236                                  | 1001234800..... | 583                   | 1001239472..... | 67                    | 1001250295 ..... | 120, 124,<br>129, 133, 136, 141 |
| 1001224489 ..... | 236                                  | 1001234811..... | 341, 343              | 1001239688..... | 143                   | 1001250384 ..... | 347                             |
| 1001225346 ..... | 543                                  | 1001235011..... | 411                   | 1001239689..... | 143                   | 1001250465 ..... | 705                             |
| 1001225442 ..... | 235                                  | 1001235013..... | 411                   | 1001239690..... | 143                   | 1001250466 ..... | 705                             |
| 1001225510 ..... | 236                                  | 1001235861..... | 190, 197              | 1001239691..... | 143                   | 1001250595 ..... | 705                             |
| 1001225580 ..... | 409, 643                             | 1001235862..... | 197, 212              | 1001239721..... | 145                   | 1001250737 ..... | 338                             |
| 1001225623 ..... | 703                                  | 1001235900..... | 43, 45                | 1001239722..... | 145                   | 1001251029 ..... | 333, 465                        |
| 1001225745 ..... | 165, 167,<br>193, 195, 197, 231, 251 | 1001235901..... | 349, 351              | 1001239723..... | 145                   | 1001252527 ..... | 584                             |
| 1001226286 ..... | 267                                  | 1001235949..... | 190, 223              | 1001239724..... | 145                   | 1001252627 ..... | 689, 691                        |
| 1001226400 ..... | 559, 561,<br>563, 565                | 1001236087..... | 403                   | 1001241345..... | 703                   | 1001252629 ..... | 445, 447,<br>449, 451           |
| 1001226531 ..... | 543                                  | 1001236091..... | 91                    | 1001241416..... | 703                   | 1001252946 ..... | 431, 433                        |
| 1001226872 ..... | 359                                  | 1001236303..... | 69                    | 1001241547..... | 705                   | 1001252947 ..... | 431, 433                        |
| 1001226923 ..... | 267                                  | 1001236304..... | 543                   | 1001241548..... | 705                   | 1001253375 ..... | 643                             |
| 1001227494 ..... | 702                                  | 1001236334..... | 259                   | 1001241689..... | 389, 391              | 1001254016 ..... | 355                             |
| 1001227633 ..... | 407                                  | 1001236335..... | 259                   | 1001241703..... | 389                   | 1001254017 ..... | 355                             |
| 1001227634 ..... | 407                                  | 1001236504..... | 543                   | 1001241730..... | 71                    | 1001254018 ..... | 355                             |
| 1001227666 ..... | 236                                  | 1001236505..... | 543                   | 1001241732..... | 75                    | 1001254019 ..... | 353                             |
| 1001227667 ..... | 236                                  | 1001236552..... | 411                   | 1001241753..... | 79                    | 1001254020 ..... | 353, 355                        |
| 1001227769 ..... | 239                                  | 1001236746..... | 449                   | 1001241757..... | 87                    | 1001254468 ..... | 353                             |
| 1001227772 ..... | 239, 241                             | 1001236747..... | 447                   | 1001241965..... | 411                   | 1001254657 ..... | 267                             |
| 1001227985 ..... | 407                                  | 1001236891..... | 445, 447,<br>449, 451 | 1001242253..... | 99                    |                  |                                 |
| 1001227987 ..... | 407                                  | 1001236895..... | 445, 447,<br>449, 451 | 1001242254..... | 101                   |                  |                                 |
| 1001227996 ..... | 637, 639                             | 1001236951..... | 704                   | 1001242409..... | 702                   |                  |                                 |
| 1001228083 ..... | 338, 469                             |                 |                       | 1001242696..... | 189                   |                  |                                 |
| 1001228215 ..... | 359                                  |                 |                       | 1001243183..... | 702                   |                  |                                 |
| 1001228224 ..... | 407, 699                             |                 |                       |                 |                       |                  |                                 |
| 1001228225 ..... | 407, 699                             |                 |                       |                 |                       |                  |                                 |

## SECTION 11 - SPECIAL OPTIONS

|  |   |   |  |
|--|---|---|--|
| 1001255133.....345   | 1001257972..... 328, 607  | 1320224 ... 149, 151, 157,<br>160, 163                        | 1703811.... 147, 650, 654,<br>658, 662, 666, 670,<br>674, 678, 682 |
| 1001255356.....353   | 1001258003..... 333   | 1320263..... 347  | 1703814.... 650, 654, 658,<br>666, 670, 674, 678, 682              |
| 1001255357.....353   | 1001258007..... 333   | 1320288..... 347  | 1703923.....682  |
| 1001255358.....353   | 1001258330..... 353   | 1320289..... 347  | 1703924.....670  |
| 1001255359.....353   | 1001258332..... 353   | 1320302 ... 418, 423, 425,<br>429                             | 1703925.....666  |
| 1001256191.....547   | 1001258495..... 637, 639  | 1321283..... 228  | 1703926.....674  |
| 1001256193.....549   | 1001258800..... 213   | 1321384..... 117  | 1703927.....678  |
| 1001256195.....555   | 1001259137..... 341, 459  | 1340061..... 702  | 1703935.....682  |
| 1001256197.....553   | 1001259138..... 459   | 1380147..... 279, 281   | 1703936.....670  |
| 1001256199.....551   | 1001259338..... 485, 489  | 1580012..... 413  | 1703938.....674  |
| 1001256201.....557   | 1001260432..... 212   | 1580013..... 704  | 1703939.....678  |
| 1001256258..... 129  | 1001261045..... 212   | 1670603..... 531  | 1703941.....682  |
| 1001256259..... 128  | 1001261085..... 212   | 1671034 ... 547, 549, 551,<br>553, 555, 557                   | 1703942.....670  |
| 1001256567..... 650  | 1001261335..... 445   | 1671044..... 333  | 1703943.....666  |
| 1001256568..... 650  | 1001261338..... 445   | 1671092 ... 316, 324, 328                                     | 1703944.....674  |
| 1001256569..... 678  | 1001262829..... 347   | 1671093..... 418, 425   | 1703945.....678  |
| 1001256570..... 678  | 1001263327..... 347   | 1671201..... 116  | 1703947.....682  |
| 1001256571..... 666  | 1001263459..... 662   | 1671228..... 116, 117   | 1703948.....670  |
| 1001256572..... 666  | 1001263800..... 461, 463  | 1671230..... 117  | 1703949.....666  |
| 1001256573..... 682  | 1001263922..... 484, 488  | 1671231..... 117  | 1703950.....674  |
| 1001256574..... 682  | 1001263923..... 573   | 1671232..... 117  | 1703951.....678  |
| 1001256575..... 658  | 1001264302..... 341, 461  | 1700818..... 685  | 1703953.....650  |
| 1001256576..... 658  | 1001264991..... 341, 463  | 1701499 ... 650, 654, 658,<br>662, 666, 670, 674,<br>678, 682 | 1703980.....674  |
| 1001256577..... 670  | 1001265971..... 650, 654,<br>658, 662, 666, 670,<br>674, 678, 682 | 1701501 ... 650, 654, 658,<br>662, 666, 670, 674,<br>678, 682 | 1703981.....678  |
| 1001256578..... 670  | 1060341 ... 435, 437, 439,<br>441                                 | 1701505 ... 157, 159, 163,<br>181, 185, 189                   | 1703982.....666  |
| 1001256579..... 674  | 1060343 ... 316, 324, 328   | 1701509 ... 650, 654, 658,<br>662, 666, 670, 674,<br>678, 682 | 1703983.....682  |
| 1001256580..... 674  | 1060379..... 431, 433   | 1701518..... 654, 662   | 1703984.....670  |
| 1001256581..... 654, 662                                     | 1060545..... 569  | 1701542..... 228  | 1704000.....670, 685   |
| 1001256582..... 650  | 1060584..... 37   | 1701691 ... 650, 654, 658,<br>662, 666, 670, 674,<br>678, 682 | 1704001.....682, 685   |
| 1001256583..... 678  | 1060626..... 159, 185   | 1702565..... 391  | 1704260.....391  |
| 1001256584..... 666  | 1060637 ... 157, 159, 163,<br>193, 195, 197, 231                  | 1702566..... 391  | 1704271.....685  |
| 1001256585..... 682  | 1060903 ... 435, 437, 439,<br>441                                 | 1702567..... 391  | 1704272.....35   |
| 1001256586..... 658  | 1060908 ... 503, 509, 515,<br>521, 527, 567, 571                  | 1702720..... 685  | 1704277.... 650, 654, 658,<br>662, 666, 670, 674,<br>678, 682      |
| 1001256587..... 670  | 1060918..... 395  | 1702773 ... 385, 387, 662,<br>685                             | 1704412.... 650, 654, 658,<br>662, 666, 670, 674,<br>678, 682      |
| 1001256588..... 674  | 1062255..... 214  | 1702861..... 685  | 1704578.....33   |
| 1001256589..... 662  | 10702077. 312, 316, 320,<br>324, 328                              | 1702868 ... 429, 650, 685,<br>689, 695                        | 1704885.....685  |
| 1001256590..... 654  | 10702082. 312, 316, 320,<br>324, 328                              | 1702938 ... 435, 437, 439,<br>441                             | 1704907.... 650, 654, 658,<br>662, 666, 670, 674,<br>678, 682      |
| 1001256709..... 333, 337                                     | 10837580..... 45  | 1702941..... 159, 185   | 1704972.....685  |
| 1001256806.....338   | 1120510..... 337  | 1702942..... 159, 185   | 1705014.....385, 387   |
| 1001256820.....338   | 1120601 ... 116, 120, 124,<br>128, 132, 136, 140                  | 1702943..... 159, 185   | 1705090.....33   |
| 1001256821.....333   | 1220078..... 337  | 1702944..... 159, 185   | 1705305.... 429, 689, 691,<br>693, 695                             |
| 1001256837..... 650, 654,<br>658, 666, 670, 674,<br>678, 682 | 1260017..... 57   | 1703162 ... 170, 174, 200,<br>206, 212, 234                   | 1705325.... 501, 503, 505  |
| 1001256838.....685   | 1320016..... 170, 174   | 1703179..... 685  | 1705336.....650  |
| 1001256839.....685   | 1320022 ... 157, 159, 163,<br>265                                 | 1703482..... 678  | 1705344.....674  |
| 1001256879..... 190  | 1320041..... 551  | 1703484 ... 650, 654, 658,<br>662, 666, 670, 674, 682         | 1705345.....678  |
| 1001256906..... 662, 685                                     | 1320061 ... 182, 186, 189,<br>547, 549, 551, 553,<br>555, 557     | 1703797..... 650  | 1705347.....670  |
| 1001257057.....347   | 1320110..... 234  | 1703804..... 650  | 1705351.....650  |
| 1001257062.....347   | 1320127..... 31   | 1703805..... 650  | 1705355.....693, 695   |
| 1001257093.....347   | 1320176.... 157, 159, 163   |   | 1705368.....686  |
| 1001257271.....445   | 1320177..... 415, 418   |   | 1705374.... 300, 308, 533,<br>535                                  |
| 1001257274.....445   | 1320202..... 553, 555   |   | 1705375.... 316, 325, 328,<br>429, 695                             |
| 1001257283.....263   | 1320218..... 31   |   | 1705387.... 300, 308, 317,<br>325, 328                             |
| 1001257286.....338   | 1320220..... 31   |   | 1705426.....674  |
| 1001257418..... 702  | 1320223 ... 170, 174, 547,<br>549                                 |   | 1705427.....678  |
| 1001257427.....353   |   |   |  |
| 1001257428.....347   |   |   |  |
| 1001257429.....347   |   |   |  |
| 1001257430..... 484, 488                                     |   |   |  |
| 1001257440..... 702  |   |   |  |
| 1001257509..... 485, 489                                     |   |   |  |
| 1001257510..... 485, 489                                     |   |   |  |
| 1001257558..... 484  |   |   |  |
| 1001257559..... 488  |   |   |  |
| 1001257657..... 347  |   |   |  |
| 1001257776.....333   |   |   |  |

## SECTION 11 - SPECIAL OPTIONS

|                            |                            |                            |                             |
|----------------------------|----------------------------|----------------------------|-----------------------------|
| 1705429..... 670           | 2112020 ..... 476, 480     | 2400060.....225, 329, 601, | 2820031 ... 283, 285, 287,  |
| 1705430 ..... 666          | 2112424 ..... 484, 488     | 605, 607, 613, 619         | 291, 295, 299, 303,         |
| 1705460 ... 312, 316, 320, | 2120217 ..... 349          | 2400064....329, 601, 605,  | 307, 312, 316, 319,         |
| 324, 328                   | 2130204 ..... 480          | 607, 699                   | 323, 327, 559, 561          |
| 1705461 ..... 312, 320     | 2130404 ... 476, 480, 484, | 2410014.....385, 387       | 2820035 ..... 225           |
| 1705489 ... 295, 303, 312, | 488                        | 2420172.....71, 79, 87     | 2820078 ... 117, 121, 125,  |
| 320                        | 2130406 ..... 476, 480     | 2420203.....285, 287, 291  | 137                         |
| 1705490 ..... 689, 691     | 2130604 ..... 476, 480     | 2460048.....311, 315       | 2820118 ..... 559, 561      |
| 1705514 ..... 662          | 2130606 ... 476, 480, 484, | 2460051.....291            | 2820233 ..... 117           |
| 1705820 ..... 35           | 488                        | 2460055.....285            | 2820234 ..... 117           |
| 1705822 ..... 654, 662     | 2130608 ..... 484, 488     | 2540035.....116            | 2820235 ..... 117           |
| 1705828 ..... 654, 662     | 2130612 ..... 484, 488     | 2560136.....391            | 2820247 ..... 637, 639      |
| 1705836 ..... 149, 151     | 2130808 ..... 476, 480     | 2560187 ... 121, 125, 133, | 2840016 ..... 279, 281      |
| 1705837 ..... 149, 151     | 2130810 ..... 484, 488     | 137, 141, 143, 145         | 2860012 ..... 285           |
| 1705886 ..... 149, 151     | 2131010 ..... 484, 488     | 2580024.....159, 185       | 2860030 ... 71, 75, 79, 83, |
| 1705895 ..... 658          | 2131012 ..... 476, 480     | 2580062.....175            | 87, 698                     |
| 1705896 ..... 658          | 2131212 ..... 476, 480     | 2600209.....117            | 2900756 ..... 19            |
| 1705897 ..... 658          | 2131616 ..... 476, 480     | 2600233.....117            | 2900792 ... 457, 459, 461,  |
| 1705898 ..... 658          | 2132016 ..... 476, 480     | 2600244.....116            | 463                         |
| 1705902 ..... 658          | 2150404 ..... 484, 488     | 2600281 ... 369, 371, 373, | 2901443 ..... 705           |
| 1705903 ..... 658          | 2150406 ..... 476, 480     | 375, 377, 381              | 2902217 .... 418, 423, 425  |
| 1705905 ..... 658          | 2151616 ... 476, 480, 484, | 2680490.....116            | 2902307 ..... 650           |
| 1705910 ..... 682          | 488                        | 2717059.....484, 488       | 2902308 ..... 674           |
| 1705917 ..... 682          | 2170204 ..... 476          | 2720015....200, 206, 212   | 2902309 ..... 666           |
| 1705921 ..... 654, 662     | 2170208 ..... 484, 488     | 2720058....157, 159, 163,  | 2902310 ..... 678           |
| 1705961 ..... 654, 662     | 2170408 ..... 476, 480     | 236, 265                   | 2902311 ..... 682           |
| 1705967 ..... 658, 685     | 2170504 ..... 476, 480     | 2720144.....31             | 2902312 ..... 658           |
| 1705969 ..... 678, 685     | 2170506 ..... 488          | 2720160.....415, 418       | 2902322 ..... 670           |
| 1705980 ..... 686          | 2170706 ..... 488          | 2720340....200, 206, 212   | 2902329 ..... 654, 662      |
| 1706059 ..... 685          | 2172112 ..... 484, 488     | 2720398.....170, 174       | 2902394 ..... 703           |
| 1706060 ..... 685          | 2180348 ... 157, 159, 163, | 2750532....157, 159, 163,  | 2902443 ... 573, 579, 583   |
| 1706061 ..... 685          | 228, 236, 265              | 182, 186, 189              | 2902461 ..... 484, 488      |
| 1706062 ..... 685          | 2180387 ..... 31           | 2753540.....476, 480       | 2910888 ..... 702           |
| 1706063 ..... 685          | 2180388 ..... 31           | 2753542.....476, 480       | 2915094 ..... 705           |
| 1706064 ..... 685          | 2180389 ..... 31           | 2753545.....484, 488       | 2920028 ... 391, 435, 437,  |
| 1706098 ..... 685          | 2180418 ..... 31, 228, 236 | 2753555.....477, 481       | 439, 441, 443               |
| 1706385 ..... 385, 387     | 2180467 ..... 234          | 2753622....476, 480, 484,  | 2920029 ... 391, 435, 437,  |
| 1706593 ..... 35           | 2180832 ... 181, 185, 189, | 488                        | 439, 441, 443               |
| 2030010 ... 415, 418, 423, | 415, 418                   | 2753626.....476, 480       | 2920161 ..... 97            |
| 425, 429                   | 2200222 ... 181, 185, 189, | 2753628.....476            | 2940045 ... 120, 124, 128,  |
| 2060025 ..... 170, 174     | 228                        | 2753634.....476, 480       | 132, 136, 140               |
| 2080040 ... 120, 124, 128, | 2220237 ..... 476, 480     | 2753653.....484, 488       | 2940074 ... 369, 371, 373,  |
| 132, 136, 140, 369,        | 2220238 .... 476, 480, 488 | 2753654.....484, 488       | 375, 377, 381, 698          |
| 371, 373, 375, 377, 381    | 2220252 ..... 149, 151     | 2753656.....484, 488       | 2940088 ..... 117           |
| 2080044 ... 547, 549, 551, | 2220261 ..... 31, 236      | 2753667.....476, 480       | 2940173 ... 121, 125, 128,  |
| 553, 555, 557              | 2220313 ... 157, 159, 163, | 2753670.....484, 488       | 132, 137, 140               |
| 2080072 ... 120, 124, 128, | 181, 185, 189              | 2753671 ..... 484, 489     | 2940188 ..... 116           |
| 132, 136, 140              | 2220315 .... 200, 206, 212 | 2753674.....485, 489       | 3020008 ..... 19            |
| 2110404 ... 473, 476, 480, | 2220418 ..... 31           | 2753677 ..... 485, 489     | 3020021 ..... 249           |
| 484, 488                   | 2220451 ..... 170, 174     | 2753678 ..... 485, 489     | 3020029 ..... 15, 17        |
| 2110406 ..... 476, 480     | 2220478 ..... 484, 488     | 2753681 ..... 484, 488     | 3020037 .... 193, 195, 197  |
| 2110408 .... 473, 476, 480 | 2220737 ..... 484, 488     | 2753682 ..... 484, 489     | 3020039 ..... 11, 13        |
| 2110604 ..... 484, 488     | 2220750 ..... 149, 151     | 2753683.....484, 488       | 3160348 ..... 19, 23        |
| 2110606 .... 473, 484, 488 | 2220816 ..... 265, 267     | 2753684.....484, 489       | 3200401 ... 171, 175, 200,  |
| 2110608 ..... 484, 488     | 2220883 .... 23, 455, 457, | 2753685.....476, 480       | 206, 212, 271, 273          |
| 2110612 ..... 484, 488     | 459, 461, 465              | 2753686.....476, 480       | 3200406 ..... 170, 174      |
| 2110808 ... 476, 480, 484, | 2220885 ... 455, 459, 461, | 2753699.....476, 480       | 3200449 ..... 333           |
| 488                        | 465, 469                   | 2753732.....488            | 3250872 ..... 33            |
| 2110810 ..... 476, 480     | 2220886 ..... 23, 469      | 2753768.....476, 480       | 3251102 ... 283, 285, 287,  |
| 2110812 ..... 476, 480     | 2220888 ..... 23           | 2753879 ..... 488          | 291, 295, 299, 303, 307     |
| 2111008 ..... 484, 488     | 2221024 ..... 31           | 2753970.....476            | 3251242 ... 507, 511, 513,  |
| 2111010 ..... 484, 488     | 2221086 ..... 484, 488     | 2753971 ..... 476, 480     | 517, 519, 523, 525,         |
| 2111016 ..... 476, 480     | 2221176 ... 157, 159, 163, | 2754337 ..... 476, 480     | 529, 531                    |
| 2111208 ..... 484, 488     | 228                        | 2754338.....476, 480       | 3251243 ... 285, 291, 300,  |
| 2111212 ... 476, 480, 484, | 2221197 ..... 31, 228      | 2754512.....476            | 308, 316, 324, 328,         |
| 488                        | 2300016 ..... 19           | 2754720.....480            | 650, 666, 674, 678, 682     |
| 2111616 ..... 476, 480     |                            | 2754743.....480            | 3251813 ..... 685           |

## SECTION 11 - SPECIAL OPTIONS

|                             |                             |                             |                             |
|-----------------------------|-----------------------------|-----------------------------|-----------------------------|
| 3252347.....650             | 327, 391, 415, 418,         | 3322201 ..... 59            | 3573047.... 547, 549, 551,  |
| 3252507....283, 509, 515,   | 423, 425, 429               | 3340757 ..... 337           | 553, 555, 557               |
| 521, 527                    | 3311401 ... 435, 437, 439,  | 3340764 ..... 347           | 3573050.....333             |
| 3252764....311, 315, 319,   | 441                         | 3340787 ..... 347           | 3573296.... 547, 549, 551,  |
| 323, 327                    | 3311405 ... 71, 75, 79, 83, | 3340871 ..... 337           | 553, 555, 557               |
| 3271505.....347             | 87, 95, 103, 105, 107,      | 3340941 ..... 347           | 3573400.... 418, 423, 425,  |
| 3271601.....347             | 109, 111, 116, 120,         | 3340943 ..... 347           | 429                         |
| 3271605.... 445, 447, 449,  | 124, 128, 132, 136,         | 3340966 ..... 17            | 3573642.... 418, 423, 425,  |
| 451                         | 140, 149, 151, 153,         | 3380434 ..... 389           | 429                         |
| 3271801.....200, 206, 212   | 157, 160, 163, 165,         | 3380444 ..... 116           | 3574091..... 439, 441       |
| 3271805.....59, 385, 387    | 167, 170, 174, 181,         | 3380575 ..... 116           | 3575359..... 435, 437       |
| 3272001.... 337, 445, 447,  | 185, 189, 193, 195,         | 3420372 ..... 37            | 3576799..... 415, 418       |
| 449, 451                    | 197, 200, 206, 212,         | 3420447 ..... 37            | 3577121.... 418, 423, 425,  |
| 3272401.....337             | 228, 231, 275, 277,         | 3421453 ..... 415, 418      | 429                         |
| 3290405.... 228, 501, 503,  | 295, 299, 303, 308,         | 3421565 ..... 37, 57        | 3580134.....283             |
| 505, 507, 509, 511,         | 311, 315, 319, 324,         | 3422417 ..... 15, 17, 337   | 3580158.....283, 285        |
| 513, 515, 517, 519,         | 389, 411, 501, 503,         | 3422424 ..... 337           | 3580243.....337             |
| 521, 523, 525, 527,         | 505, 507, 509, 511,         | 3422446 ... 157, 159, 163,  | 3580249.....337             |
| 529, 531                    | 513, 515, 517, 519,         | 181, 185, 189, 228          | 3580276.....285, 287        |
| 3290501.....163             | 521, 523, 525, 527,         | 3422532 ... 165, 167, 193,  | 3580288.....337             |
| 3290505.....228, 283        | 529, 531, 537, 539,         | 195, 197, 231               | 3580289.....337             |
| 3290601.... 121, 125, 133,  | 543, 547, 549, 551,         | 3422661 ..... 431, 433      | 3580314.....327             |
| 137, 141, 143, 145,         | 553, 555, 557, 650,         | 3422790 ..... 15, 17        | 3580317.... 295, 300, 303,  |
| 234, 239, 241, 291, 327     | 654, 658, 662, 666,         | 3422841 ..... 37            | 307, 312, 316, 319,         |
| 3290605.... 234, 415, 418   | 670, 674, 678, 682          | 3422847 ..... 37            | 323, 327                    |
| 3290606.... 361, 363, 365,  | 3311501 ... 120, 124, 128,  | 3422848 ..... 17            | 3580318.... 300, 307, 316,  |
| 367, 379, 383               | 132, 136, 140, 353,         | 3422861 ..... 341           | 323                         |
| 3290607.....99, 101, 234    | 435, 437, 439, 441          | 3422867 ..... 341           | 3580319.... 295, 303, 312,  |
| 3290801.....234             | 3311505.... 19, 116, 121,   | 3422908 ..... 333           | 319                         |
| 3290805.....234, 543        | 125, 133, 137, 141,         | 3422909 ..... 333           | 3580320.... 200, 206, 295,  |
| 3290806.....345             | 143, 145, 170, 174,         | 3422910 ..... 333           | 300, 312, 316               |
| 3291001.....234, 345        | 200, 206, 212, 311,         | 3422920 ..... 333           | 3580324.....291             |
| 3291005.... 202, 208, 212,  | 319, 323, 327, 349,         | 3422931 ..... 333           | 3600386.... 149, 151, 153   |
| 234, 341, 345               | 431, 433, 547, 549,         | 3430616 ..... 392           | 3641569..... 435, 437       |
| 3291007.....281             | 551, 553, 555, 557          | 3430816 ..... 279, 281      | 3720021..... 149, 151       |
| 3291201.... 234, 292, 327,  | 3311508.... 299, 307, 315   | 3440410 ..... 333           | 3740049.... 71, 75, 79, 83, |
| 345                         | 331160161, 63, 116, 120,    | 3450404 ..... 279, 281      | 87, 698                     |
| 3291205.....345             | 124, 128, 132, 136,         | 3470003 ..... 392           | 3740067.... 170, 174, 181,  |
| 3300007.....19              | 140, 392, 411               | 3520028 .... 285, 287, 291  | 185, 189, 228, 698          |
| 3300151.... 359, 361, 363,  | 3311605. 31, 61, 63, 103,   | 3520030 ... 120, 124, 128,  | 3740080.... 163, 170, 174,  |
| 365, 367, 377, 379,         | 105, 107, 109, 111,         | 132, 136, 140               | 283, 285, 287, 291,         |
| 381, 383, 418, 423,         | 113, 116, 117, 120,         | 3520031 ... 71, 75, 79, 83, | 327, 698, 699               |
| 425, 429                    | 124, 128, 132, 136,         | 87                          | 3740086..... 641, 699       |
| 3300205.... 71, 75, 79, 83, | 140, 143, 145, 151,         | 3520035 ... 71, 75, 79, 83, | 3760170.....37, 57          |
| 87                          | 153, 157, 159, 163,         | 87                          | 3790012.....228, 391        |
| 3300240.....337             | 170, 174, 200, 206,         | 3520054 .... 170, 174, 391  | 3790044.... 165, 167, 193,  |
| 3300241.....337             | 212, 221, 223, 267,         | 3520072 ... 359, 361, 363,  | 195, 197, 231               |
| 3300242.....337             | 271, 273, 279, 283,         | 365, 367, 369, 371,         | 3820001..... 33, 650, 654,  |
| 3300353.... 71, 75, 79, 83, | 285, 296, 304, 333,         | 373, 375, 377, 379,         | 658, 662, 666, 670,         |
| 87, 391                     | 337, 347, 349, 385,         | 381, 383, 385, 387          | 674, 678, 682               |
| 3300356.....443             | 387, 389, 418, 423,         | 3520189 ..... 312, 320      | 3820020.... 369, 371, 373,  |
| 3300364.... 120, 124, 128,  | 425, 429, 443, 537, 539     | 3520192 ..... 312, 320      | 375, 377, 381               |
| 132, 136, 140               | 3311705... 283, 285, 287,   | 3520193 ..... 353           | 3841143.... 157, 159, 163,  |
| 3300396.... 299, 308, 312,  | 291                         | 3520198 ... 359, 361, 363,  | 181, 185, 189, 228,         |
| 316, 320, 324, 328          | 3311801 .... 19, 157, 159,  | 365, 367, 369, 371,         | 337, 341, 345               |
| 3300408.... 71, 75, 79, 83, | 163, 193, 195, 197,         | 373, 375, 377, 379,         | 3841287..... 11, 13, 333    |
| 87, 91                      | 287, 295, 299, 303,         | 381, 383                    | 3841340.... 547, 549, 551,  |
| 3300430.....409             | 307, 311, 316, 319, 323     | 3537445 ..... 279           | 553, 555, 557               |
| 3310401.... 200, 206, 212   | 331180561, 63, 170, 174,    | 3537446 ..... 279, 281      | 3841356.....333             |
| 3310601.....279, 281        | 181, 185, 189, 231,         | 3538047 ..... 11, 13        | 3841520..... 15, 17         |
| 3310805.....31              | 271, 273, 279, 281, 333     | 3539219 ..... 75            | 3841709.....333             |
| 3311001.... 117, 221, 223,  | 3312002 .... 47, 445, 447,  | 3539622 ..... 337           | 3890016.....337             |
| 312, 316, 320, 324, 328     | 449, 451                    | 3572009 ..... 37            | 3900054..... 385, 387       |
| 3311005.... 116, 283, 285,  | 3312201 ..... 337           | 3572010 ..... 37            | 3900085..... 97, 99, 101    |
| 287, 291, 300, 308,         | 3312602 ..... 97, 99, 101   | 3572011 ..... 37            | 3900210.... 120, 121, 124,  |
| 312, 316, 320, 324,         | 3321501 ... 116, 121, 125,  | 3572012 ..... 37            | 125, 128, 132, 133,         |
|                             | 128, 132, 137, 140          |                             |                             |

## SECTION 11 - SPECIAL OPTIONS

|  |  |   |   |
|--|--|---|---|
| 136, 137, 140, 141,<br>143, 145  | 4060804 ..... 61, 63   | 4420037....418, 423, 425,<br>429  | 4460419 ..... 613, 619  |
| 3900232 ..... 117  | 4060805 ... 170, 174, 200,<br>206, 212, 236  | 442003861, 63, 121, 125,<br>128, 132, 137, 140                              | 4460424 ... 573, 575, 577,<br>587, 615, 617, 645  |
| 3900268 ... 71, 75, 79, 83,<br>87  | 4061032 ..... 484, 488   | 4420051 33, 35, 650, 654,<br>658, 662, 666, 670,<br>674, 678, 682           | 4460425 ... 299, 308, 312,<br>316, 320, 324, 328,<br>435, 437, 439, 441,<br>533, 535  |
| 3900283 ..... 347, 349   | 4070585 ..... 285  | 4420060.....283   | 4460426 ... 71, 75, 79, 83,<br>87, 299, 308, 312, 316,<br>320, 324, 328   |
| 3900293 ..... 47   | 4070863 ..... 337  | 4420062.....431, 433  | 4460428 ..... 149, 391  |
| 3900316 ... 120, 124, 128,<br>132, 136, 140, 347, 349                                | 4070878 ..... 11, 13   | 4420068....435, 437, 439,<br>441  | 4460434 ..... 613, 619  |
| 3900349 ..... 391  | 4070879 ..... 11, 13   | 4420069.....437   | 4460457 ... 573, 575, 577,<br>587, 593, 607   |
| 3900363 ... 121, 125, 133,<br>137, 141, 143, 145                                     | 4070895 ..... 337  | 4460007.....391   | 4460458 ... 573, 575, 577,<br>579, 583, 587, 593,<br>595, 601, 607  |
| 3910408 .... 200, 206, 212   | 4070897 ..... 337  | 4460016.....619   | 4460460 ... 573, 575, 577,<br>587   |
| 3910606 ... 299, 307, 315,<br>323, 327, 533, 535                                     | 4070929 ..... 338  | 4460019....573, 575, 577,<br>584, 645                                       | 4460464 ... 395, 443, 545,<br>559, 561, 573, 575,<br>577, 587, 589, 613,<br>619, 641, 643   |
| 3910608 ..... 279, 281   | 4070939 ..... 338  | 4460027....285, 287, 291  | 4460465 ... 329, 545, 559,<br>561, 563, 565, 573,<br>575, 577, 579, 580,<br>583, 584, 587, 595,<br>597, 599, 601, 603,<br>605, 607, 613, 619, 643 |
| 3910610 ..... 493, 495   | 4070940 ..... 338  | 4460042.....579, 583  | 4460466 ... 407, 545, 559,<br>561, 563, 565, 575,<br>577, 579, 583, 584,<br>613, 619, 635, 641,<br>643, 645                                       |
| 3910804 ... 71, 75, 79, 83,<br>87  | 4070991 ... 71, 75, 79, 83,<br>87  | 4460043....225, 573, 575,<br>579, 584, 593, 595,<br>601, 605                | 4460467 ..... 705   |
| 3930606 ..... 333  | 4071020 ..... 338  | 4460049....435, 439, 441  | 4460470 ... 71, 75, 79, 83,<br>87, 391, 547, 549, 551,<br>553, 555, 557   |
| 3931016 ... 299, 307, 311,<br>315, 319, 323, 327                                     | 4071059 ..... 17   | 4460051.....493, 495  | 4460471 ... 71, 75, 79, 83,<br>87, 391, 547, 549, 551,<br>553, 555, 557   |
| 3931408 ..... 409  | 4100063 ..... 190  | 4460071....300, 307, 316,<br>323, 327, 395                                  | 4460473 ... 559, 561, 563,<br>565   |
| 3931432 .... 200, 206, 212   | 4160139 ..... 116  | 4460125.....495   | 4460488 ... 71, 75, 79, 83,<br>87, 99, 101, 391   |
| 3931512 .... 200, 206, 212   | 4160143 ..... 116  | 4460134.....609   | 4460496 ... 71, 75, 79, 83,<br>87, 391  |
| 3931624 ..... 333  | 4160149 ..... 338  | 4460142....573, 575, 613,<br>619  | 4460497 ... 71, 75, 79, 83,<br>87, 391  |
| 3931628 ..... 200, 206   | 4160187 ..... 333  | 4460183.....619   | 4460508 ... 407, 559, 561,<br>613, 619, 645   |
| 3931640 ..... 234  | 4160194 ... 120, 124, 128,<br>132, 136, 140  | 4460190....285, 287, 291  | 4460509 ... 559, 561, 563,<br>565   |
| 3951608 ..... 337  | 4240018 ... 283, 287, 303,<br>307, 319, 323, 484,<br>488, 533, 535                             | 4460205.....493, 609  | 4460510 ..... 705   |
| 3952020 ..... 47   | 4240032 .... 99, 101, 391,<br>587, 645   | 4460224.....303   | 4460518 ..... 545   |
| 3960389 ... 116, 120, 124,<br>128, 132, 136, 140                                     | 4240033 ... 149, 151, 353,<br>407, 409, 411, 645   | 4460225.....597, 619  | 4460526 ... 71, 75, 79, 83,<br>87   |
| 3960407 ..... 170, 174   | 4240099 ... 200, 206, 212,<br>225, 229, 234, 291,<br>418, 423, 425, 435,<br>437, 439, 441, 443 | 4460226....395, 398, 401,<br>541, 573, 575, 577,<br>587, 615, 617, 619, 645 | 4460536 ..... 613, 619  |
| 3960422 ... 299, 307, 315,<br>323, 327, 493, 495,<br>533, 535                        | 4240139 ..... 61, 63   | 4460227....541, 613, 619  | 4460539 ... 573, 575, 577,<br>583, 587, 619, 645  |
| 3960438 ..... 117  | 4280296 ..... 39   | 4460233.....495, 611  | 4460612 ..... 533, 535  |
| 3960462 ..... 117  | 4300157 ... 295, 299, 311,<br>316  | 4460234....391, 435, 437,<br>439, 441                                       | 4460633 ..... 149, 151  |
| 3960464 ..... 117  | 4340747 ..... 149  | 4460247.....579, 584  | 4460662 ..... 443   |
| 3960468 ... 170, 174, 193,<br>195, 197   | 4360057 ... 435, 437, 439,<br>441, 699   | 4460256.....607   | 4460670 ... 573, 575, 593,<br>605   |
| 3960469 ... 170, 174, 193,<br>195, 197, 231  | 4360070 ... 299, 308, 312,<br>316, 320, 324, 328, 699  | 4460259....573, 575, 587,<br>613, 619                                       | 4460701 ..... 611   |
| 3960470 ..... 116  | 4360274 ..... 83, 698  | 4460260....573, 575, 587,<br>613, 619                                       | 4460703 ..... 579, 584  |
| 3960526 ..... 19   | 4360328 ..... 405, 699   | 4460265.....398, 401  |   |
| 3960548 .... 157, 159, 163   | 4360336 ... 228, 283, 285,<br>287, 291, 295, 299,<br>303, 307, 311, 315,<br>319, 323, 327, 699 | 4460266.....619   |   |
| 3960549 .... 157, 159, 163   | 4360387 75, 83, 391, 435,<br>437, 439, 441, 443, 698   | 4460267....615, 617, 645  |   |
| 3980007 ..... 159, 185   | 4360407 ..... 391, 698   | 4460268.....577, 597  |   |
| 3990010 ..... 613  | 4360469 ... 71, 75, 79, 83,<br>87, 698   | 4460294.....303   |   |
| 4010303 ..... 355  | 4360475 ... 71, 75, 79, 83,<br>87, 391, 698  | 4460297.....613   |   |
| 4010608 ..... 415, 418   | 4360476 ... 71, 75, 79, 83,<br>87, 391, 698  | 4460312....573, 575, 587  |   |
| 4010618 ... 361, 363, 365,<br>367, 379, 383  | 4360477 ..... 443  | 4460313....573, 575, 577,<br>587, 613, 645                                  |   |
| 4031505 ..... 407  | 4360506 ... 547, 549, 551,<br>553, 555, 557, 699   | 4460315.....493, 495  |   |
| 4031510 ..... 355  | 4360517 ..... 59, 698  | 4460320....613, 615, 617,<br>645  |   |
| 4031516 ..... 411  | 4360542 .... 285, 287, 291   | 4460321.....291   |   |
| 4031608 ..... 283  | 4400275 ..... 31   | 4460346....299, 307, 315,<br>323, 327, 493                                  |   |
| 4031711 ..... 234  |  | 4460374....329, 573, 575,<br>593, 605                                       |   |
| 4031914 .... 200, 206, 212   |  | 4460375....329, 573, 575,<br>605  |   |
| 4032014 ..... 200, 206   |  | 4460418.....613, 619  |   |
| 4032015 ... 295, 299, 311,<br>316  |  |   |   |
| 4060092 ..... 495  |  |   |   |
| 4060802 ... 283, 285, 287,<br>291, 295, 299, 303,<br>307, 311, 315, 319,<br>323, 327 |  |   |   |

## SECTION 11 - SPECIAL OPTIONS

|  |  |   |   |
|--|--|---|---|
| 4460708.....391, 619                                 | 4460967 ... 329, 595, 599,<br>601, 603, 605, 607   | 4711500 ..... 19, 121, 125,<br>133, 137, 141, 143,<br>145, 200, 206, 213,<br>311, 319, 323, 327,<br>347, 349, 353   | 4751500.....33, 35, 67, 69,<br>117, 120, 124, 128,<br>132, 136, 140, 200,<br>206, 213, 283, 285,<br>287, 299, 307, 315,<br>431, 433, 435, 437,<br>439, 441, 547, 549,<br>551, 553, 555, 557   |
| 4460722.....225                                      | 4460968 ..... 283  | 4711600 ... 11, 13, 43, 61,<br>63, 116, 117, 151, 170,<br>174, 181, 185, 189,<br>221, 223, 228, 267,<br>287, 295, 300, 303,<br>307, 312, 316, 319,<br>323, 333, 338, 347,<br>349, 353, 392, 445,<br>447, 449, 451   | 4751600.....31, 39, 43, 67,<br>69, 99, 101, 103, 105,<br>107, 109, 111, 113,<br>117, 120, 124, 128,<br>132, 136, 140, 143,<br>145, 153, 157, 159,<br>163, 170, 174, 181,<br>185, 189, 200, 207,<br>213, 265, 271, 273,<br>283, 285, 296, 304,<br>349, 389, 418, 423,<br>425, 429, 443, 537, 539 |
| 4460738.....577, 587                                 | 4460971 ..... 415, 418   | 4711700 ... 200, 206, 213,<br>287, 291  | 4751800.....59, 149, 151,<br>157, 159, 163, 181,<br>185, 189, 193, 195,<br>197, 231, 385, 387,<br>435, 437, 439, 441  |
| 4460742....329, 593, 595,<br>601, 605, 607           | 4460979 .... 573, 575, 587   | 4712000 ... 445, 447, 449,<br>451   | 4752000....157, 159, 163,<br>181, 185, 189, 228   |
| 4460743....329, 595, 601,<br>605                     | 4461005 ..... 573  | 4740036 ..... 37  | 4760600.....493, 495  |
| 4460746.....583                                      | 4461006 ..... 573  | 4740057 ..... 47  | 4761000.....391   |
| 4460748.....583                                      | 4461008 .... 573, 580, 583   | 4740076 ..... 116   | 4761400....71, 75, 79, 83,<br>87, 413   |
| 4460761 .....541, 613                                | 4461052 ..... 573  | 4740119 ..... 279   | 4761600.....153   |
| 4460806....513, 515, 517,<br>519, 521, 523, 613, 619 | 4461053 ..... 573  | 4740155 ..... 17  | 4770600.....279, 281  |
| 4460807 .....597                                     | 4461054 .... 573, 583, 589   | 4740256 ..... 15, 17  | 4791400....170, 174, 295,<br>299, 303, 307, 311,<br>315, 319, 323   |
| 4460808.....597                                      | 4461060 ..... 573  | 4740274 ... 170, 174, 271,<br>273   | 4811400....501, 503, 505,<br>507, 509, 511, 513,<br>515, 517, 519, 521,<br>523, 525, 527, 529, 531  |
| 4460865....559, 561, 563,<br>565                     | 4461070 ..... 545, 573   | 4740362 ..... 389   | 4811600.....163, 283  |
| 4460866....547, 549, 551,<br>553, 555, 557, 613      | 4461071 ..... 579, 583   | 4740397 ... 71, 75, 79, 83,<br>87, 283, 285, 391  | 4811700.....99, 101, 234,<br>239, 241, 291, 327,<br>361, 363, 365, 367,<br>379, 383, 415, 418   |
| 4460868.....613                                      | 4461073 .... 573, 579, 583   | 4740444 ... 71, 75, 79, 83,<br>87   | 4811702....201, 207, 213,<br>239  |
| 4460871....573, 575, 577,<br>587, 613, 619, 645      | 4461077 ..... 635, 641   | 4740463 ..... 15, 17  | 4811900....201, 207, 213,<br>228, 234, 239, 241,<br>345, 543  |
| 4460872.....613                                      | 4461095 .... 545, 573, 579   | 4740472 ..... 11, 13  | 4811902....202, 208, 213,<br>234, 239, 241  |
| 4460873.....613, 619                                 | 4461157 ... 573, 575, 587  | 4740473 ..... 15, 17  | 4812000....182, 186, 189,<br>201, 207, 213, 228,<br>234, 239, 241, 281,<br>291, 345   |
| 4460874.....613, 619                                 | 4461196 ..... 621, 623   | 4740492 ..... 333   | 4812002.....234, 243  |
| 4460875.....613                                      | 4461197 ..... 623  | 4740500 ..... 117   | 4812100....181, 185, 189,<br>201, 207, 213, 239,<br>241, 345  |
| 4460876.....613, 619                                 | 4461198 .... 505, 621, 623   | 4740518 ... 71, 75, 79, 83,<br>87   | 4812200....170, 174, 201,<br>207, 213, 271, 273, 291  |
| 4460877.....613                                      | 4461199 ..... 625, 627   | 4750400 .... 200, 206, 213  | 4844817.....341   |
| 4460878.....613                                      | 4461200 ..... 627  | 4750800 ..... 31  | 4844958.....57  |
| 4460879.....619                                      | 4461201 ... 511, 625, 627  | 4751000 ... 37, 61, 63, 97,<br>99, 101, 116, 117, 283,<br>285, 291, 300, 307,<br>312, 316, 319, 323,<br>327, 391, 415, 418,<br>423, 425, 429  | 4845582.....431, 433  |
| 4460880....575, 577, 587,<br>615, 617                | 4461205 ..... 629, 631   | 4751400 ... 39, 71, 75, 79,<br>83, 87, 103, 105, 107,<br>109, 111, 116, 120,<br>121, 124, 125, 128,<br>132, 133, 136, 137,<br>140, 141, 143, 145,<br>165, 167, 193, 195,<br>197, 200, 206, 213,<br>229, 231, 295, 299,<br>304, 311, 315, 319,<br>338, 389, 391, 413,<br>418, 423, 425, 429,<br>435, 437, 439, 441,<br>543, 547, 549, 553,<br>555, 650, 654, 658,<br>662, 666, 670, 674,<br>678, 682 | 4846295.....37  |
| 4460884....575, 583, 613,<br>643                     | 4461244 ..... 517, 629   |   | 4846296.....37  |
| 4460887....573, 575, 577,<br>587, 613, 619           | 4461245 ..... 523, 631   |   |   |
| 4460888.....619                                      | 4461246 ..... 529, 633   |   |   |
| 4460891....545, 580, 589,<br>645                     | 4461249 ..... 633  |   |   |
| 4460894....579, 583, 613,<br>619                     | 4520252 ..... 25   |   |   |
| 4460897....443, 573, 575,<br>577, 580, 587, 589      | 4520253 ..... 27   |   |   |
| 4460899....577, 635, 641,<br>643                     | 4530028 ... 418, 423, 425,<br>427  |   |   |
| 4460905....391, 613, 619                             | 4568133 ..... 37   |   |   |
| 4460910.....639                                      | 4640261 ..... 33, 35   |   |   |
| 4460911.....635                                      | 4640509 .... 459, 461, 463   |   |   |
| 4460925.....619                                      | 4640751 ... 200, 206, 212  |   |   |
| 4460928.....545                                      | 4640858 ..... 455  |   |   |
| 4460930.....579, 583                                 | 4640932 ..... 457  |   |   |
| 4460931.....577                                      | 4640999 ..... 457  |   |   |
| 4460932.....579, 589                                 | 4641033 ..... 469  |   |   |
| 4460933....545, 613, 619                             | 4641122 ..... 25, 27, 29   |   |   |
| 4460941 .....589, 635                                | 4641188 ..... 465  |   |   |
| 4460942....407, 579, 583,<br>589                     | 4641194 ..... 465  |   |   |
| 4460943....613, 619, 635                             | 4641234 ..... 465  |   |   |
| 4460944....573, 575, 577,<br>579, 583, 587, 613, 619 | 4641303 ..... 19   |   |   |
| 4460945.....613                                      | 4641317 ..... 43   |   |   |
| 4460956....567, 569, 571                             | 4711000 ..... 59, 221, 223,<br>287, 312, 316, 320,<br>324, 328   |   |   |
| 4460957....567, 569, 571                             | 4711400 ... 43, 71, 79, 87,<br>93, 95, 149, 151, 157,<br>159, 163, 170, 174,<br>181, 185, 189, 200,<br>206, 213, 228, 275,<br>277, 296, 303, 307,<br>323, 327, 359, 361,<br>363, 365, 367, 377,<br>379, 381, 383, 409,<br>411, 443, 501, 503,<br>505, 507, 509, 511,<br>513, 515, 517, 519,<br>521, 523, 525, 527,<br>529, 531, 537, 539,<br>547, 549, 551, 553,<br>555, 557 |   |   |
| 4460958.....535                                      |  |   |   |
| 4460959.....551                                      |  |   |   |
| 4460960.....551                                      |  |   |   |
| 4460962.....418, 425                                 |  |   |   |
| 4460963.....316, 324, 328                            |  |   |   |



## SECTION 11 - SPECIAL OPTIONS

|                  |  |                |  |               |   |               |                                 |
|------------------|--|----------------|--|---------------|---|---------------|---------------------------------|
| 4846558 .....    | 347  | 70000800 ..... | 178  | 7000229.....  | 50  | 70004041..... | 50                              |
| 4846627 ...      | 418, 423, 425,<br>429  | 70000863 .     | 311, 315, 319,<br>323, 328                             | 70002291..... | 320, 324  | 70004042..... | 50                              |
| 4846673 .....    | 439, 441   | 70000912 ..... | 177  | 70002297 .    | 311, 315, 319,<br>324, 328                        | 70004043..... | 50                              |
| 4860224 .....    | 25   | 70000913 ..... | 177  | 7000230.....  | 50  | 70004044..... | 50                              |
| 4860225 .....    | 27, 29   | 70000914 ..... | 177  | 70002386....  | 45, 351, 698                                      | 70004045..... | 50                              |
| 4871200 .....    | 355  | 70000915 ..... | 177  | 7000239.....  | 21  | 70004047..... | 50                              |
| 4871700 .....    | 328  | 70000916 ..... | 177  | 7000240.....  | 21  | 70004056..... | 177                             |
| 4891500 ...      | 71, 79, 83, 87,<br>201, 207, 213, 291  | 70000917 ..... | 177  | 70002410..... | 457   | 70004058..... | 177                             |
| 4891600 .....    | 59, 121, 125,<br>128, 133, 137, 141,<br>279, 338, 345  | 70000918 ..... | 177  | 70002415..... | 178   | 70004060..... | 177                             |
| 4891800 .....    | 19, 165, 167,<br>193, 195, 197, 201,<br>207, 213, 231, 279,<br>281, 287, 303, 307,<br>319, 323 | 70000919 ..... | 177  | 70002416..... | 178   | 70004092 .    | 295, 299, 303,<br>307, 320, 324 |
| 4892000 .....    | 19, 53, 147  | 70001002 ..... | 177  | 70002417..... | 178   | 70004094..... | 320, 324                        |
| 4892200 .....    | 11, 13   | 70001020 ..... | 67, 69   | 7000246.....  | 50  | 70004098 .    | 299, 308, 320,<br>324           |
| 4892600001 ..... | 345  | 70001100 .     | 311, 315, 319,<br>323, 328                             | 70002460..    | 311, 315, 320,<br>324, 327                        | 70004099 .    | 303, 307, 319,<br>324           |
| 4921829 .....    | 292  | 70001181 ..... | 178  | 7000247.....  | 50  | 70004169 ..   | 311, 315, 328                   |
| 4921955 .....    | 611  | 70001248 ..... | 59   | 7000248.....  | 50  | 70004171 .    | 295, 299, 311,<br>315, 328      |
| 4922567 ...      | 547, 551, 553,<br>557, 559   | 70001384 .     | 311, 315, 319,<br>323, 328                             | 7000253.....  | 50  | 70004183..... | 249                             |
| 4922569 ...      | 547, 551, 553,<br>557, 563   | 70001424 ..... | 421  | 7000255.....  | 50  | 70004186 ..   | 459, 461, 463                   |
| 4922641 ...      | 283, 285, 288,<br>291, 312, 317, 320,<br>325, 329  | 70001425 ..... | 421  | 7000257.....  | 50  | 70004199..... | 65                              |
| 4922660 ...      | 547, 551, 553,<br>557, 615   | 70001427 ..... | 421  | 70002718..... | 178   | 70004237..... | 457                             |
| 4922666 .....    | 391, 541   | 70001428 ..... | 421  | 70002744..... | 467   | 70004266..... | 67, 69                          |
| 4922741 .....    | 609  | 70001429 ..... | 421  | 70002745..... | 467   | 70004267..... | 67, 69                          |
| 4922874 .....    | 499  | 70001430 ..... | 421  | 70002748..... | 467   | 70004272..... | 177                             |
| 4922876 .....    | 547  | 70001431 ..... | 421  | 70002749..... | 467   | 70004276..... | 218                             |
| 4922877 .....    | 499  | 70001432 ..... | 421  | 70002751..... | 467   | 70004277..... | 218                             |
| 4922878 .....    | 547  | 70001435 ..... | 177  | 70002814..... | 65, 698   | 70004279..... | 217                             |
| 4922925 ...      | 312, 316, 319,<br>323, 327   | 70001499 ..... | 349  | 7000283.....  | 21  | 70004280..... | 178                             |
| 4923379 .....    | 170, 174   | 70001663 ..... | 153  | 70002838..... | 65  | 70004287..... | 177                             |
| 4923445 .....    | 292, 593   | 70001696 ..    | 311, 315, 327  | 70002839..... | 65  | 70004289..... | 178                             |
| 4923595 ...      | 549, 555, 561  | 70001697 ..... | 343  | 7000284.....  | 21  | 70004328..... | 349                             |
| 4923596 ...      | 549, 555, 565  | 70001835 ..... | 177  | 70002842..... | 455   | 70004329..... | 251                             |
| 4923597 ...      | 549, 555, 617  | 70001836 ..... | 177  | 7000289.....  | 21  | 70004331..... | 251                             |
| 4923600 .....    | 549  | 70001837 ..... | 177  | 70002902..... | 395   | 70004332..... | 251                             |
| 4923601 .....    | 549  | 70001837 ..... | 177  | 70002903..... | 395   | 70004333..... | 251                             |
| 4933218 .....    | 435, 439   | 70001841 ..... | 177  | 70002904..... | 395   | 70004336..... | 251                             |
| 5240800 ...      | 202, 208, 213  | 70001844 ..... | 178  | 70002905..... | 395   | 70004337..... | 251                             |
| 5241000 .....    | 234  | 70001850 ..... | 177  | 70002948..... | 149, 151  | 70004338..... | 251                             |
| 5241200 ...      | 234, 327, 345  | 70001866 ..... | 177  | 70003022..... | 45  | 70004340..... | 251                             |
| 5250605 .....    | 239, 241   | 70001868 ..... | 177  | 70003136..... | 177   | 70004342..... | 251                             |
| 5250810 .....    | 202, 208   | 70001870 ..... | 177, 217   | 70003454..... | 59  | 70004343..... | 251                             |
| 5251008 .....    | 345  | 70001871 ..... | 177  | 70003464..... | 177   | 70004344..... | 251                             |
| 5251010 .....    | 213  | 70001872 ..... | 178  | 70003465..... | 177   | 70004345..... | 251                             |
| 5251016 .....    | 189, 345   | 70001953 ..    | 311, 315, 328  | 70003466..... | 177   | 70004346..... | 251                             |
| 5251210 .....    | 189  | 70001954 ..... | 253  | 70003472..... | 177   | 70004347..... | 251                             |
| 5260600 .....    | 239, 241   | 70001955 ..... | 253  | 70003475..... | 177   | 70004348..... | 251                             |
| 5261000 .....    | 189  | 70001956 ..... | 253  | 70003478..... | 177   | 70004349..... | 251                             |
| 5272010 .....    | 236  | 70001957 ..... | 253  | 70003612..... | 67, 69  | 70004350..... | 251                             |
| 70000044 .....   | 177  | 70001966 .     | 295, 299, 303,<br>307, 311, 315, 320,<br>324, 327, 328 | 70003631..    | 311, 315, 319,<br>324, 327                        | 70004351..... | 251                             |
| 70000123 .....   | 283  | 70001973 .     | 311, 315, 320,<br>324, 328                             | 70003708..    | 295, 299, 303,<br>307, 311, 315, 320,<br>324, 328 | 70004352..... | 251                             |
| 70000342 .....   | 343  | 70001974 .     | 311, 315, 320,<br>324, 328                             | 70003709..    | 295, 299, 303,<br>307, 311, 315, 320,<br>324, 328 | 70004381..... | 467                             |
| 70000345 .....   | 178, 217   | 70002066 ..... | 50   | 70003784..... | 391   | 70004382..... | 467                             |
| 70000619 .       | 312, 316, 319,<br>323, 327   | 70002085 ..... | 50   | 70003788....  | 45, 351, 698                                      | 70004414..... | 63                              |
| 70000797 .....   | 23   | 70002088 ..    | 311, 315, 328  | 70003789..... | 45, 698   | 70004504..... | 218                             |
|                  |  | 70002097 ..... | 349, 698   | 70003789..... | 45, 698   | 70004505..... | 217                             |
|                  |  | 70002112 ..... | 65   | 70003921..... | 347, 698  | 70004506..... | 217                             |
|                  |  | 7000213 .....  | 50   | 70003922..... | 347, 698  | 70004507..... | 217                             |
|                  |  | 7000217 .....  | 50   | 70003935..... | 19  | 70004508..... | 217                             |
|                  |  | 70002200 ..... | 177  | 70003936..... | 19  | 70004509..... | 217                             |
|                  |  | 70002231 ..... | 43, 698  | 70003998..... | 67, 69  | 70004510..... | 217                             |
|                  |  | 70002234 ..... | 177  | 70004020...   | 170, 174, 698                                     | 70004570..... | 45                              |
|                  |  | 7000224 .....  | 21   | 70004037..... | 50  | 70004571..... | 45                              |
|                  |  | 7000228 .....  | 50   | 70004040..... | 50  | 70004572..... | 45                              |
|                  |  |                |  |               |   | 70004573..... | 45                              |
|                  |  |                |  |               |   | 70004574..... | 45                              |

## SECTION 11 - SPECIAL OPTIONS

|               |                       |               |          |               |                       |               |                       |
|---------------|-----------------------|---------------|----------|---------------|-----------------------|---------------|-----------------------|
| 70004575..... | 45                    | 70005173..... | 217      | 70006178..... | 245                   | 70006691..... | 21                    |
| 70004576..... | 45                    | 70005176..... | 217      | 70006179..... | 245                   | 70006692..... | 21                    |
| 70004577..... | 45                    | 70005177..... | 217      | 70006180..... | 245                   | 70006694..... | 469                   |
| 70004578..... | 45, 351               | 70005184..... | 218      | 70006181..... | 245                   | 70006720..... | 469                   |
| 70004579..... | 45                    | 70005191..... | 218      | 70006182..... | 245                   | 70006729..... | 469                   |
| 70004580..... | 45                    | 70005203..... | 50       | 70006183..... | 245                   | 70006730..... | 469                   |
| 70004581..... | 45                    | 70005230..... | 401      | 70006184..... | 245                   | 70006731..... | 469                   |
| 70004582..... | 351                   | 70005433..... | 465      | 70006185..... | 245                   | 70006732..... | 469                   |
| 70004676..    | 295, 299, 303,<br>307 | 70005458..... | 251      | 70006186..... | 245                   | 70006733..... | 469                   |
| 70004677..... | 295                   | 70005459..... | 251      | 70006187..... | 245                   | 70006734..... | 459, 461              |
| 70004678..    | 295, 299, 303,<br>307 | 70005460..... | 251      | 70006188..... | 245                   | 70006735..... | 459, 461              |
| 70004679..    | 295, 299, 303,<br>307 | 70005461..... | 251      | 70006189..... | 245                   | 70006736..... | 459, 461              |
| 70004680..    | 295, 299, 303,<br>307 | 70005462..... | 251      | 70006191..... | 245                   | 70006832..... | 21                    |
| 70004681..... | 295, 303              | 70005463..... | 251      | 70006194..... | 245                   | 70006833..... | 21                    |
| 70004682..    | 295, 299, 303,<br>308 | 70005464..... | 251      | 70006195..... | 245                   | 7000695.....  | 178                   |
| 70004683..... | 295, 303              | 70005465..... | 251      | 70006196..... | 246                   | 70007108..... | 246                   |
| 70004684..... | 299                   | 70005527..... | 218      | 70006197..... | 246                   | 70007157..... | 457                   |
| 70004685..... | 299, 308              | 70005647..... | 218      | 70006198..... | 246                   | 70007159..... | 457                   |
| 70004686..... | 303                   | 70005648..... | 218      | 70006199..... | 246                   | 70007161..... | 457                   |
| 70004687..... | 307                   | 70005663..... | 705      | 70006200..... | 246                   | 70007168..... | 457                   |
| 70004738..... | 401                   | 70005708..... | 65       | 70006202..... | 246                   | 70007169..... | 457                   |
| 70004739..... | 401                   | 70005725..... | 45       | 70006203..... | 246                   | 70007235..... | 218                   |
| 70004740..... | 401                   | 70005916..... | 178      | 70006205..... | 246                   | 70007251..... | 457                   |
| 70004741..... | 401                   | 70005917..... | 178      | 70006206..... | 246                   | 70007276..... | 465                   |
| 70004742..... | 401                   | 70005920..... | 217      | 70006207..... | 246                   | 70007277..... | 465                   |
| 70004743..... | 401                   | 70005929..... | 218      | 70006208..... | 246                   | 70007278..... | 465                   |
| 70004744..... | 401                   | 70005931..... | 218      | 70006213..... | 246, 699              | 70007279..... | 465                   |
| 70004745..... | 401                   | 70005941..... | 217      | 70006215..... | 246                   | 70007280..... | 465                   |
| 70004746..... | 401                   | 70005942..... | 217      | 70006217..... | 246                   | 70007281..... | 465                   |
| 70004747..... | 401                   | 70006093..... | 319, 324 | 70006219..... | 246                   | 70007282..... | 465                   |
| 70004748..... | 401                   | 70006094..... | 320, 324 | 70006221..... | 246                   | 70007283..... | 465                   |
| 70004749..... | 401                   | 70006095..... | 320, 324 | 70006225..... | 246                   | 70007326..... | 217                   |
| 70004750..... | 401                   | 70006096..... | 320, 324 | 70006232..... | 246                   | 70007331..... | 218                   |
| 70004751..... | 401                   | 70006097..... | 320, 324 | 70006233..... | 245                   | 70007354..... | 217                   |
| 70004752..... | 397                   | 70006134..... | 239      | 70006235..... | 246                   | 70007355..... | 218                   |
| 70004753..... | 397                   | 70006135..... | 239      | 70006236..... | 246                   | 70007489..... | 218                   |
| 70004754..... | 397                   | 70006136..... | 239      | 70006294..... | 218                   | 70009020..... | 228                   |
| 70004755..... | 397                   | 70006144..... | 217      | 70006304..... | 50                    | 7001928.....  | 21                    |
| 70004756..... | 397                   | 70006145..... | 245      | 70006403..... | 267, 269              | 70022564..... | 457, 465              |
| 70004757..... | 397                   | 70006147..... | 245      | 70006404..... | 267, 269              | 70023592..    | 201, 207, 213,<br>698 |
| 70004758..... | 397                   | 70006150..... | 245      | 70006405..    | 267, 269, 699         | 70023593..    | 201, 207, 213,<br>698 |
| 70004759..... | 397                   | 70006151..... | 245      | 70006406..... | 267, 269              | 70024494..... | 217                   |
| 70004760..... | 397                   | 70006152..... | 245      | 70006407..... | 267, 269              | 70024507..... | 218                   |
| 70004761..... | 397                   | 70006153..... | 245      | 70006408..... | 267, 269              | 70024509..... | 218                   |
| 70004762..... | 397                   | 70006154..... | 245      | 70006409..... | 267, 269              | 70024513..... | 217                   |
| 70004763..... | 397                   | 70006155..... | 245, 699 | 70006410..... | 267, 269              | 70024517..... | 217                   |
| 70004764..... | 397                   | 70006157..... | 245      | 70006460..... | 236, 699              | 70024904..... | 217                   |
| 70004765..... | 397                   | 70006158..... | 245      | 70006461..... | 236                   | 70024905..... | 217                   |
| 70004766..... | 397                   | 70006159..... | 245      | 70006552..    | 295, 300, 303,<br>307 | 70024906..... | 217                   |
| 70004767..... | 397                   | 70006160..... | 245      | 70006553..    | 295, 300, 303,<br>307 | 70024912..... | 218                   |
| 70004768..... | 397                   | 70006161..... | 245      | 70006596..... | 457                   | 70024915..... | 218                   |
| 70004769..... | 397                   | 70006162..... | 245      | 70006649..... | 459, 461              | 70024917..... | 218                   |
| 70004770..... | 397                   | 70006163..... | 245      | 70006650..... | 459, 461              | 70024920..... | 218                   |
| 70004771..... | 397                   | 70006164..... | 245      | 70006652..... | 218                   | 70024922..... | 218                   |
| 70004772..... | 397                   | 70006165..... | 245      | 70006653..... | 218                   | 70024924..... | 217                   |
| 70004773..... | 397                   | 70006166..... | 245      | 70006673..... | 21                    | 70024925..... | 217                   |
| 70004774..... | 398                   | 70006167..... | 245      | 70006674..... | 21                    | 70024961..... | 217                   |
| 70004775..... | 398                   | 70006168..... | 245      | 70006675..... | 21                    | 70025082..... | 177, 178              |
| 70004795..... | 65                    | 70006169..... | 245      | 70006676..... | 21                    | 70025111..... | 217                   |
| 70005008..... | 236, 699              | 70006170..... | 245      | 70006677..... | 21                    | 70025120..... | 218                   |
| 70005171..... | 217                   | 70006171..... | 245      | 70006678..... | 21                    | 70025135..... | 217                   |
| 70005172..... | 217                   | 70006172..... | 245      | 70006678..... | 21                    | 70025140..... | 217                   |
|               |                       | 70006173..... | 245      | 70006680..... | 21                    | 70025142..... | 218                   |
|               |                       | 70006174..... | 245      | 70006684..... | 21                    | 70025144..... | 217                   |
|               |                       | 70006175..... | 245, 699 | 70006685..... | 21                    | 70025145..... | 217                   |
|               |                       | 70006176..... | 245, 699 | 70006690..... | 21                    |               |                       |
|               |                       | 70006177..... | 245      |               |                       |               |                       |

## SECTION 11 - SPECIAL OPTIONS

|          |                    |         |                         |         |                         |         |                         |
|----------|--------------------|---------|-------------------------|---------|-------------------------|---------|-------------------------|
| 70025146 | 217                | 7012944 | 43, 698                 | 7022302 | 23                      | 7024508 | 469                     |
| 70025151 | 218                | 7012953 | 351                     | 7022305 | 23                      | 7024530 | 421                     |
| 70025152 | 217                | 7012955 | 351                     | 7022310 | 23                      | 7024531 | 421                     |
| 70025153 | 217, 699           | 7012967 | 351                     | 7022311 | 23, 254                 | 7024532 | 421                     |
| 70025154 | 217                | 7012989 | 351                     | 7022312 | 23                      | 7024533 | 421                     |
| 70025161 | 218                | 7012995 | 351                     | 7022314 | 23, 254                 | 7024534 | 421                     |
| 70025164 | 217                | 7012998 | 45                      | 7022318 | 253                     | 7024535 | 421                     |
| 70025179 | 217                | 7016319 | 97                      | 7022326 | 23                      | 7024536 | 421                     |
| 70025181 | 217                | 7016328 | 177, 698                | 7022328 | 23                      | 7024537 | 421                     |
| 70025182 | 218                | 7016331 | 177, 217, 698, 699      | 7022368 | 23                      | 7024579 | 178, 217                |
| 70025183 | 218                |         |                         | 7022371 | 23                      | 7024598 | 279, 281                |
| 70025184 | 218                | 7016372 | 97                      | 7022372 | 23                      | 7024704 | 50                      |
| 70025200 | 218                | 7016654 | 705                     | 7022397 | 19                      | 7024762 | 50                      |
| 70025205 | 217                | 7016655 | 705                     | 7022399 | 19                      | 7024763 | 50                      |
| 70025210 | 218, 699           | 7017023 | 50                      | 7023907 | 23                      | 7024782 | 21                      |
| 70025212 | 218                | 7017028 | 21, 50                  | 7023908 | 23                      | 7024784 | 50                      |
| 70025231 | 217                | 7017047 | 21                      | 7023910 | 23                      | 7024854 | 23                      |
| 70025235 | 218                | 7017070 | 50                      | 7023917 | 19                      | 7024864 | 254                     |
| 70025239 | 217                | 7017072 | 50                      | 7023919 | 465                     | 7024866 | 254                     |
| 70025242 | 218                | 7017080 | 50                      | 7023922 | 351                     | 7024867 | 253                     |
| 70025752 | 178                | 7017082 | 21                      | 7023923 | 465                     | 7024868 | 23, 253                 |
| 70025753 | 178                | 7017085 | 50                      | 7023925 | 45                      | 7024881 | 19                      |
| 70025788 | 218                | 7017142 | 343                     | 7023927 | 465                     | 7026188 | 311, 315, 327           |
| 70026210 | 218                | 7017159 | 343                     | 7023933 | 19                      | 7026197 | 59                      |
| 70026287 | 465                | 7017162 | 343                     | 7023947 | 253                     | 7026199 | 285, 287, 291           |
| 70027750 | 465                | 7017163 | 343                     | 7023948 | 253                     | 7026503 | 59                      |
| 7002821  | 705                | 7017164 | 343                     | 7023949 | 253                     | 7026504 | 59                      |
| 7002822  | 705                | 7017172 | 343                     | 7023950 | 253                     | 7026505 | 59                      |
| 7002823  | 705                | 7017192 | 343                     | 7023951 | 253                     | 7026506 | 59                      |
| 7002826  | 705                | 7017195 | 343                     | 7023952 | 253                     | 7026507 | 59                      |
| 70028538 | 218                | 7017402 | 45, 351                 | 7023956 | 253                     | 7026509 | 59                      |
| 70028540 | 218                | 7017422 | 45                      | 7023957 | 253                     | 7026597 | 311, 315, 320, 324, 327 |
| 70029433 | 218                | 7017446 | 351                     | 7023958 | 253                     | 7026626 | 311, 315, 320, 324, 328 |
| 70029451 | 218                | 7017451 | 465, 698                | 7023960 | 253                     | 7026632 | 153                     |
| 70029468 | 465                | 7017452 | 45, 351                 | 7023961 | 253                     | 7026633 | 153                     |
| 70029517 | 218                | 7017496 | 45                      | 7023962 | 253                     | 7026634 | 153                     |
| 70029520 | 218                | 7019680 | 285, 287, 291           | 7023964 | 253, 254                | 7026635 | 153                     |
| 70029557 | 217                | 7020043 | 61, 63                  | 7023965 | 253                     | 7026636 | 153                     |
| 70029797 | 218                | 7020108 | 283, 285, 287, 291      | 7023966 | 254                     | 7026637 | 153                     |
| 7004275  | 705                | 7020109 | 283, 285, 287, 291      | 7023967 | 254                     | 7026638 | 153                     |
| 7004276  | 705                | 7020110 | 283, 285, 287, 291      | 7023982 | 465                     | 7026639 | 153                     |
| 7004906  | 251                | 7020111 | 283, 285, 287, 291      | 7023984 | 351                     | 7026640 | 153                     |
| 7004907  | 251                | 7020175 | 71, 75, 79, 83, 87, 391 | 7023985 | 45                      | 7026641 | 154                     |
| 7004908  | 251                | 7020176 | 71, 75, 79, 83, 87, 391 | 7024100 | 50                      | 7026642 | 154                     |
| 7007415  | 253, 254           | 7020190 | 283, 285, 287, 291      | 7024109 | 21                      | 7026643 | 154                     |
| 7007437  | 23                 | 7020403 | 177                     | 7024119 | 21                      | 7026644 | 154                     |
| 7007438  | 23                 | 7020408 | 177                     | 7024151 | 21                      | 7026645 | 154                     |
| 7007439  | 23                 | 7020465 | 177, 217                | 7024154 | 21                      | 7026646 | 154                     |
| 7007446  | 23                 | 7020468 | 177                     | 7024190 | 21                      | 7026647 | 154                     |
| 7007633  | 50                 | 7020471 | 178                     | 7024191 | 21                      | 7026648 | 154                     |
| 7010492  | 50                 | 7020479 | 177                     | 7024404 | 59                      | 7026649 | 154                     |
| 7010543  | 43, 45             | 7021249 | 23                      | 7024441 | 65                      | 7026650 | 154                     |
| 7011112  | 457                | 7021275 | 23, 254                 | 7024462 | 427                     | 7026651 | 153                     |
| 7011653  | 351                | 7021276 | 23                      | 7024463 | 427                     | 7026652 | 153                     |
| 70124410 | 178                | 7021277 | 23                      | 7024467 | 427                     | 7026653 | 153                     |
| 70124440 | 178                | 7021612 | 45                      | 7024469 | 427                     | 7026654 | 153                     |
| 7012513  | 283, 285, 287, 291 | 7021625 | 19                      | 7024470 | 427                     | 7026655 | 153                     |
| 7012514  | 283, 285, 287, 291 | 7021639 | 19                      | 7024471 | 421, 427                | 7026656 | 153                     |
| 7012518  | 351                | 7021653 | 45                      | 7024472 | 427                     | 7026658 | 154                     |
| 7012558  | 285, 287, 291      | 7022162 | 245                     | 7024473 | 427                     | 7026659 | 153                     |
| 7012903  | 45                 |         |                         | 7024474 | 427                     | 7026660 | 153                     |
| 7012907  | 45                 |         |                         | 7024475 | 427                     | 7026661 | 153                     |
| 7012925  | 465                |         |                         | 7024478 | 427                     | 7027053 | 157, 159                |
| 7012941  | 43                 |         |                         | 7024485 | 311, 315, 327           | 7027084 | 181, 185, 189, 228      |
| 7012943  | 465, 698           |         |                         | 7024488 | 312, 316, 319, 323, 327 |         |                         |
|          |                    |         |                         | 7024489 | 312, 316, 319, 323, 327 |         |                         |

## SECTION 11 - SPECIAL OPTIONS

|                                   |  |   |   |
|-----------------------------------|--|---|---|
| 7027085.....181, 185, 189,<br>228 | 7027783 ..... 149, 151                 | 8270147 ... 157, 159, 181,<br>185, 189, 228           | 8406201.... 181, 185, 229,<br>236           |
| 7027086.....181, 185, 189,<br>228 | 7027784 ..... 149, 151                 | 8273291 ..... 236                                     | 8410001.....235                             |
| 7027087 .....181, 185, 189        | 7027790 ..... 177                      | 8305401 ..... 234                                     | 8410009.....236                             |
| 7027088.....181, 185, 189,<br>228 | 7027791 ..... 177                      | 8307109 ..... 234                                     | 8410011.... 201, 207, 213,<br>235           |
| 7027092.....157, 159              | 7027792 ..... 177                      | 8310070 ... 121, 125, 128,<br>132, 137, 140           | 8410013.... 181, 185, 189,<br>201, 207, 213 |
| 7027093.....157, 159              | 7027795 ..... 178, 698                 | 8310548 ..... 234                                     | 8580420.....39                              |
| 7027094.....157, 160              | 7027796 ..... 178                      | 83304173 ..... 65                                     | 85941018.....228                            |
| 7027095.....157, 160              | 7027799 ... 311, 315, 320,<br>324, 327 | 8405006 ... 181, 185, 189,<br>221, 223, 234, 267      | 88261024.....349                            |
| 7027236.....177                   | 7027887 ... 283, 285, 287,<br>291      | 8405007 .... 201, 207, 213                            | 88411013.....543                            |
| 7027276.....177                   | 77143013 . 71, 75, 79, 83,<br>87       | 8405009 ... 201, 207, 213,<br>234                     | 88521205.....67, 69                         |
| 7027404.....246                   | 77363233 ..... 597                     | 8405102 ..... 234                                     | 88521214..445, 447, 449,<br>451             |
| 7027773.....427                   | 80344004 ..... 21                      | 8405104 ... 201, 207, 213,<br>234                     | 88662327.....484, 488                       |
| 7027774.....427                   | 80484084 ..... 579, 583                | 8405203 ..... 234                                     | 8896941.....705                             |
| 7027775.....427                   | 80934561 ..... 59                      | 8405204 .... 201, 207, 213                            | 91203039.....345                            |
| 7027776.....427                   | 80983191 ..... 579, 699                | 8406102 ... 157, 159, 163,<br>181, 185, 189, 201, 207 | 91401281.....67                             |
| 7027777 .....427                  | 8220051 ..... 589                      | 8406109 ... 201, 207, 213,<br>235                     | 91403102..201, 208, 213,<br>699             |
| 7027778.....427                   | 8220115 ..... 579                      | 8406110 .... 201, 207, 213                            |   |
| 7027779.....427                   | 8220164 ..... 584                      |   |   |
| 7027780.....427                   | 8229242 ... 579, 613, 698              |   |   |
| 7027781.....149, 151              | 8229249 ..... 619, 698                 |   |   |
| 7027782.....149, 151              |  |   |   |





An Oshkosh Corporation Company

**Corporate Office**  
**JLG Industries, Inc.**  
**1 JLG Drive**  
**McConnellsburg, PA 17233-9533 USA**  
☎ **(717) 485-5161 (Corporate)**  
☎ **(877) 554-5438 (Customer Support)**  
📠 **(717) 485-6417**

**Visit our website for JLG Worldwide Locations.**  
**[www.jlg.com](http://www.jlg.com)**